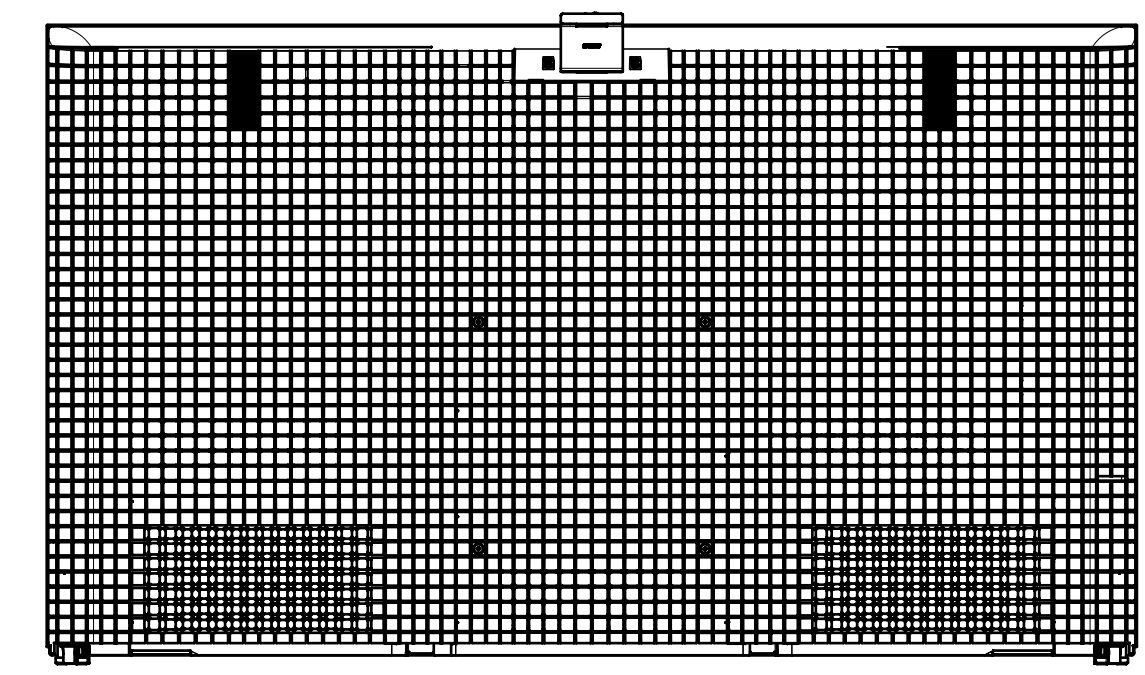
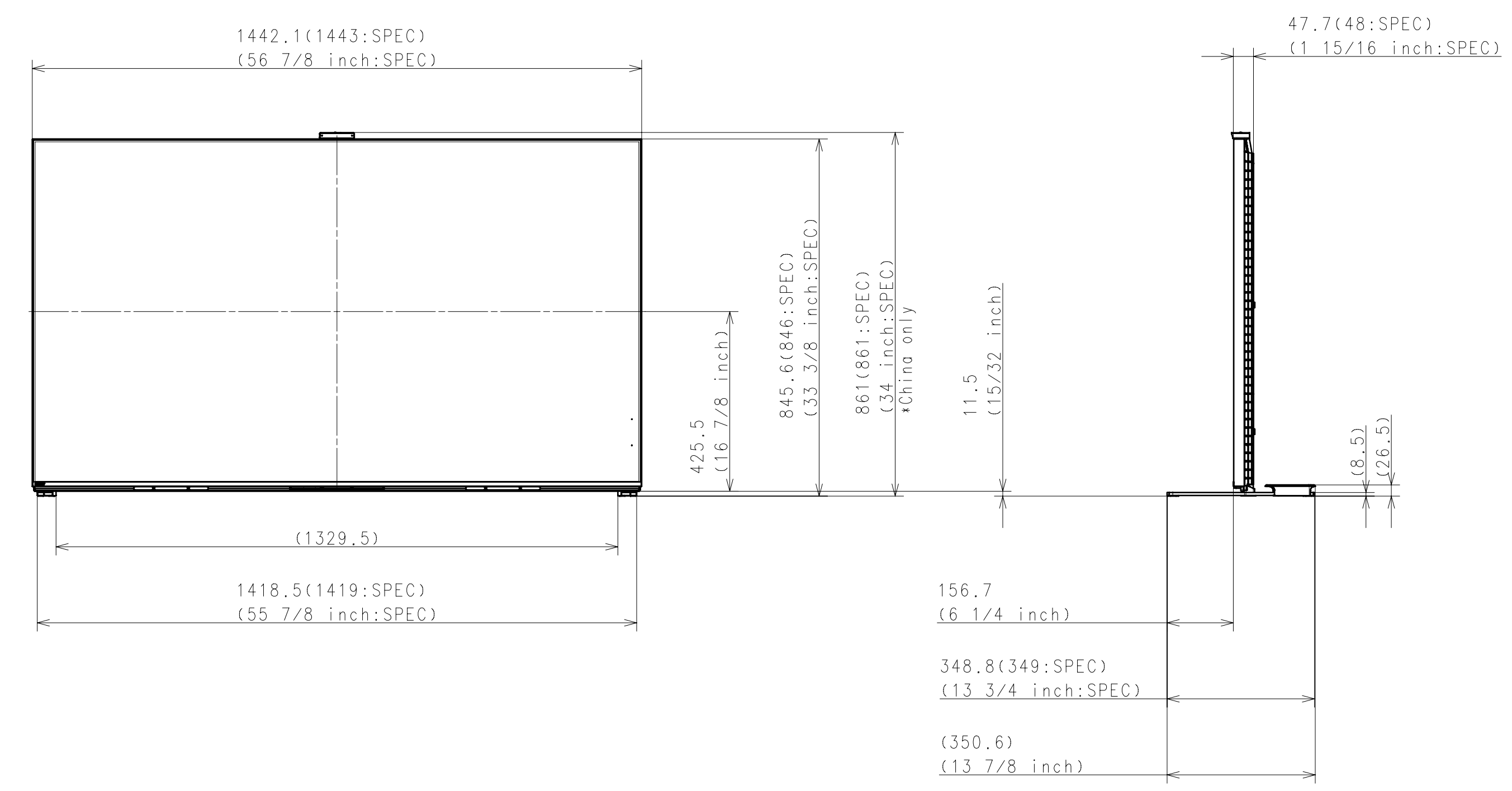
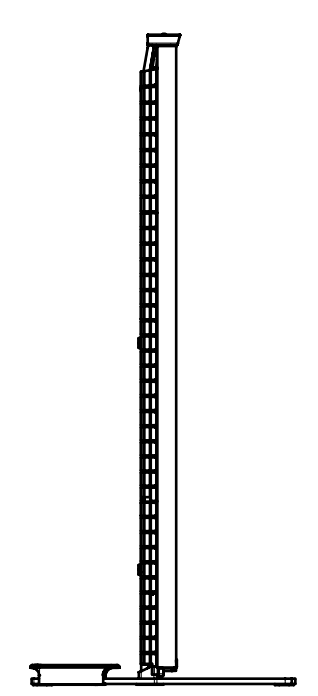
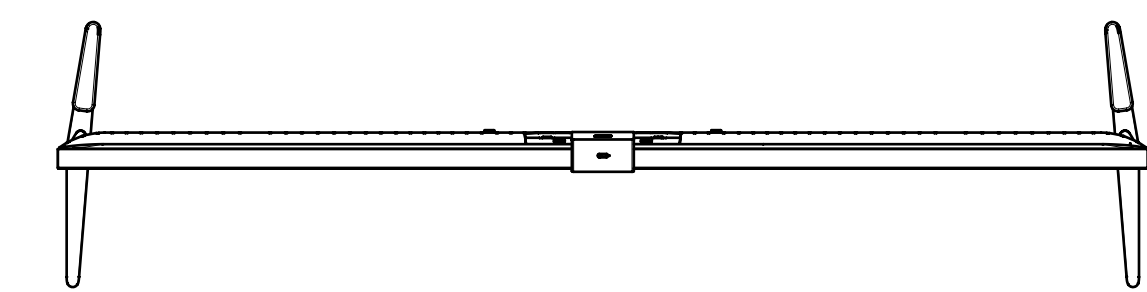


Area	JAPAN	NORTH AMERICA	GENERAL AREA + IN5 stand models	CHINA
Model Name	K-65XR90	K-65XR90	K-65XR90	K-65XR90
SV No.	SV-42138	SV-42117	SV-42210	SV-42222
DIMENSION	TV only (W x H x D) 144.3 x 83.5 x 4.8 (32.3) cm	1443 x 835 x 48 (32.3) mm / 56 7/8 x 32 7/8 x 1 15/16 (1 5/16) inch	Approx. 1443 x 835 x 48 (32.3) mm	Approx. 1443 x 835 x 48 (32.3) mm
	TV only with camera (W x H x D)	-	-	Approx. 1443 x 850 x 53 (32.3) mm
	TV with Stand (Outside) (W x H x D)	144.3 x 84.6 x 34.9 cm	1443 x 846 x 349 mm / 56 7/8 x 33 3/8 x 13 3/4 inch	Approx. 1443 x 846 x 349 mm
	TV with Stand (Inside) (W x H x D)	144.3 x 84.6 x 34.9 cm	1443 x 846 x 349 mm / 56 7/8 x 33 3/8 x 13 3/4 inch	Approx. 1443 x 846 x 349 mm
	TV with Stand (Outside for Soundbar) (W x H x D)	144.3 x 90.8 x 34.9 cm	1443 x 908 x 349 mm / 56 7/8 x 35 3/4 x 13 3/4 inch	Approx. 1443 x 908 x 349 mm
	TV with Stand (Inside for Soundbar) (W x H x D)	144.3 x 90.8 x 34.9 cm	1443 x 908 x 349 mm / 56 7/8 x 35 3/4 x 13 3/4 inch	Approx. 1443 x 908 x 349 mm
	TV with Stand (Front position style) (W x H x D)	-	-	-
	TV with Stand (Back position style) (W x H x D)	-	-	-
	TV with Floor Stand (W x H x D)	-	-	-
	Stand Width (Outside)	141.9 cm	1419 mm / 55 7/8 inch	Approx. 1419 mm
	Stand Width (Inside)	48.0 cm	480 mm / 19 inch	Approx. 480 mm
	Stand Width (Outside for Soundbar)	141.9 cm	1419 mm / 55 7/8 inch	Approx. 1419 mm
	Stand Width (Inside for Soundbar)	48.0 cm	480 mm / 19 inch	Approx. 480 mm
	Stand Width (Front position style)	-	-	-
	Stand Width (Back position style)	-	-	-
	Floor Stand Width	-	-	-
	VESA Hole Pitch	30.0 x 30.0 cm	300 x 300 mm / 11 7/8 x 11 7/8 inch	300 x 300 mm
WEIGHT	TV Only	32.4 kg	32.4 kg / 71.4 lb	Approx. 32.4 kg
	TV with Stand (Outside)	34.8 kg	34.8 kg / 76.7 lb	Approx. 34.8 kg
	TV with Stand (Inside)	34.8 kg	34.8 kg / 76.7 lb	Approx. 34.8 kg
	TV with Stand (Outside for Soundbar)	34.8 kg	34.8 kg / 76.7 lb	Approx. 34.8 kg
	TV with Stand (Inside for Soundbar)	34.8 kg	34.8 kg / 76.7 lb	Approx. 34.8 kg
	TV with Stand (Front/Back position style)	-	-	-
	TV with Floor Stand	-	-	-
	Floor Stand weight (Supply)	-	-	-
	W-M't Br. Weight (Supply)	-	-	-
Remarks	4way	4way	4way	4way

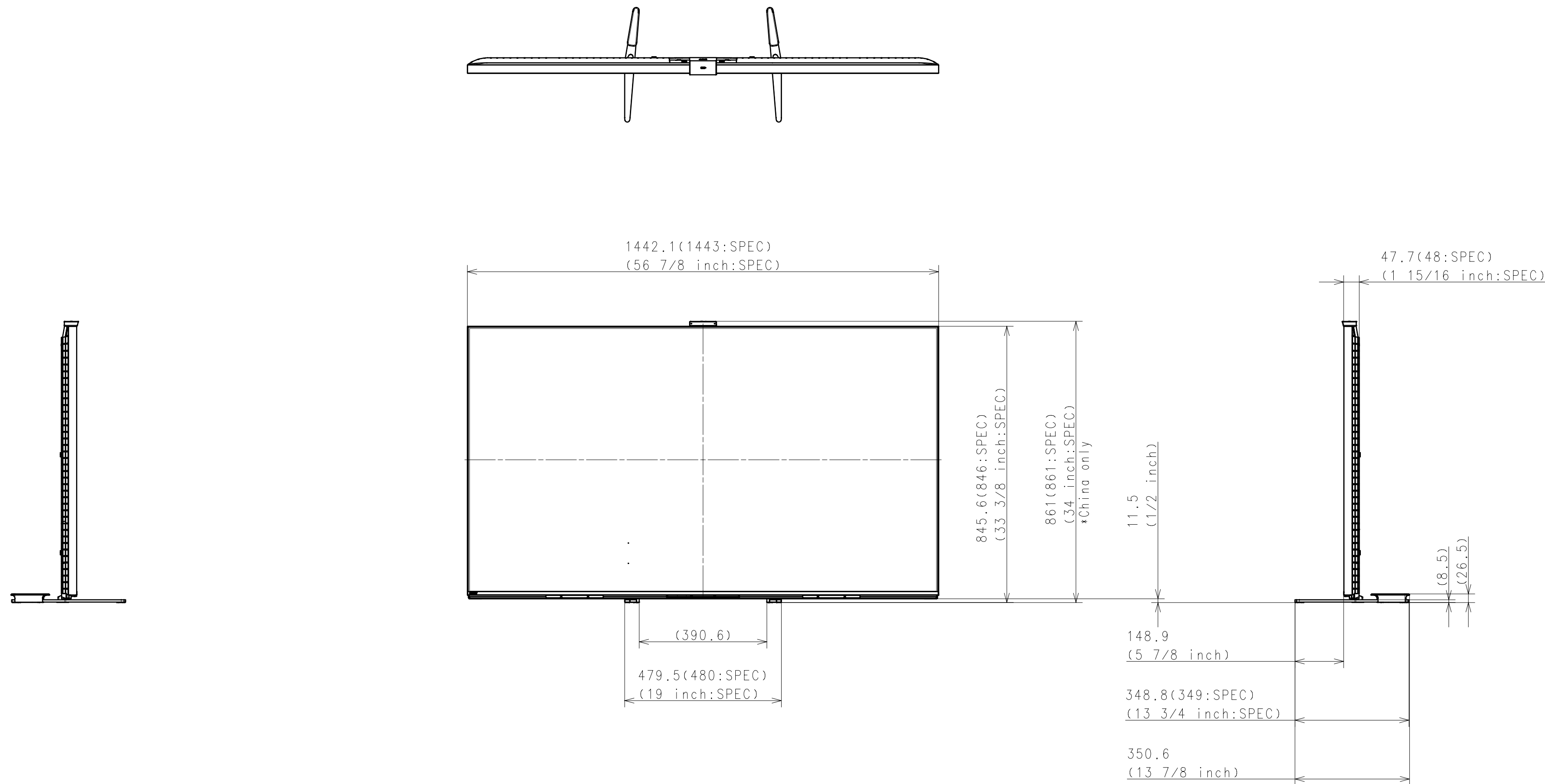
TV WITH STAND (OUTSIDE)



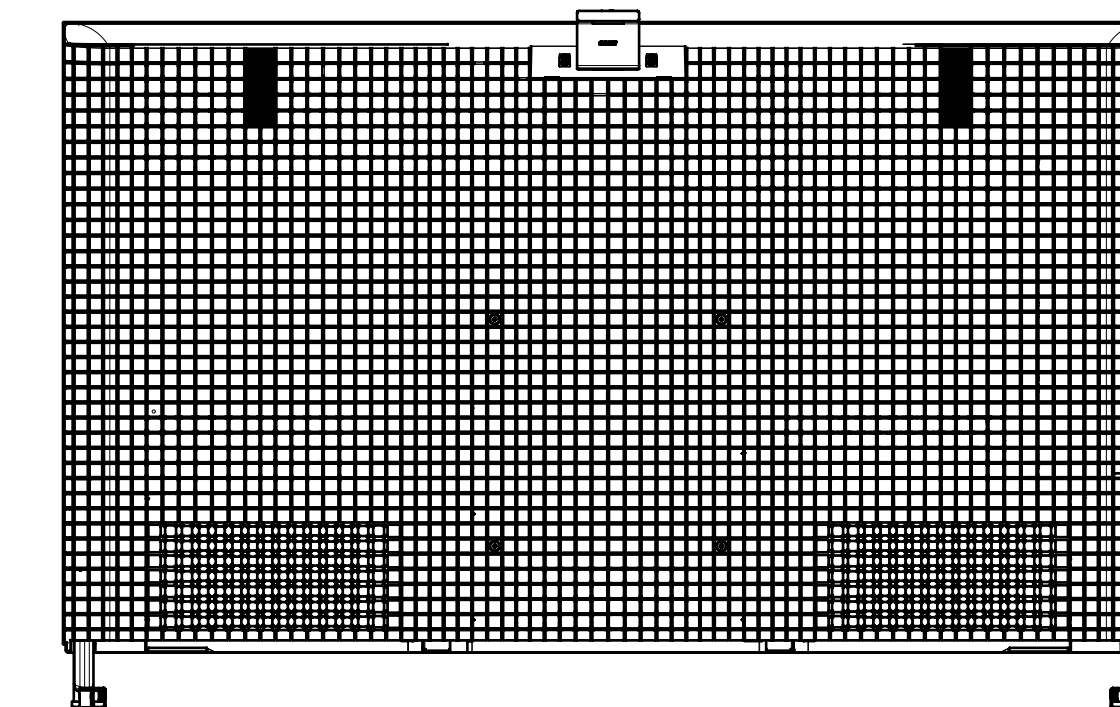
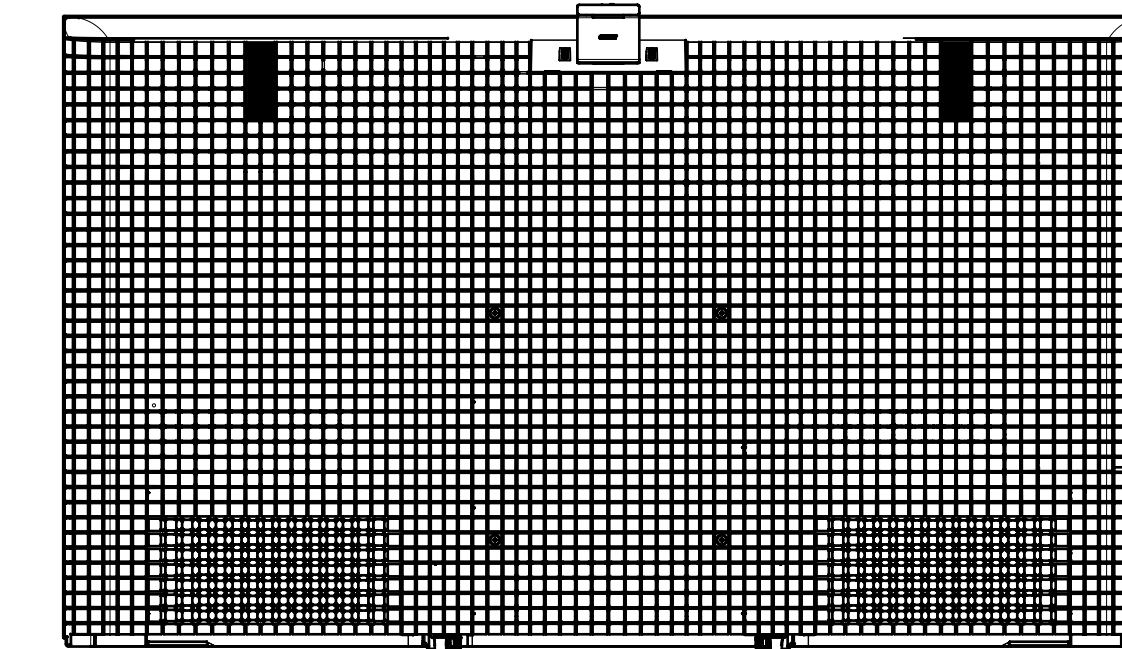
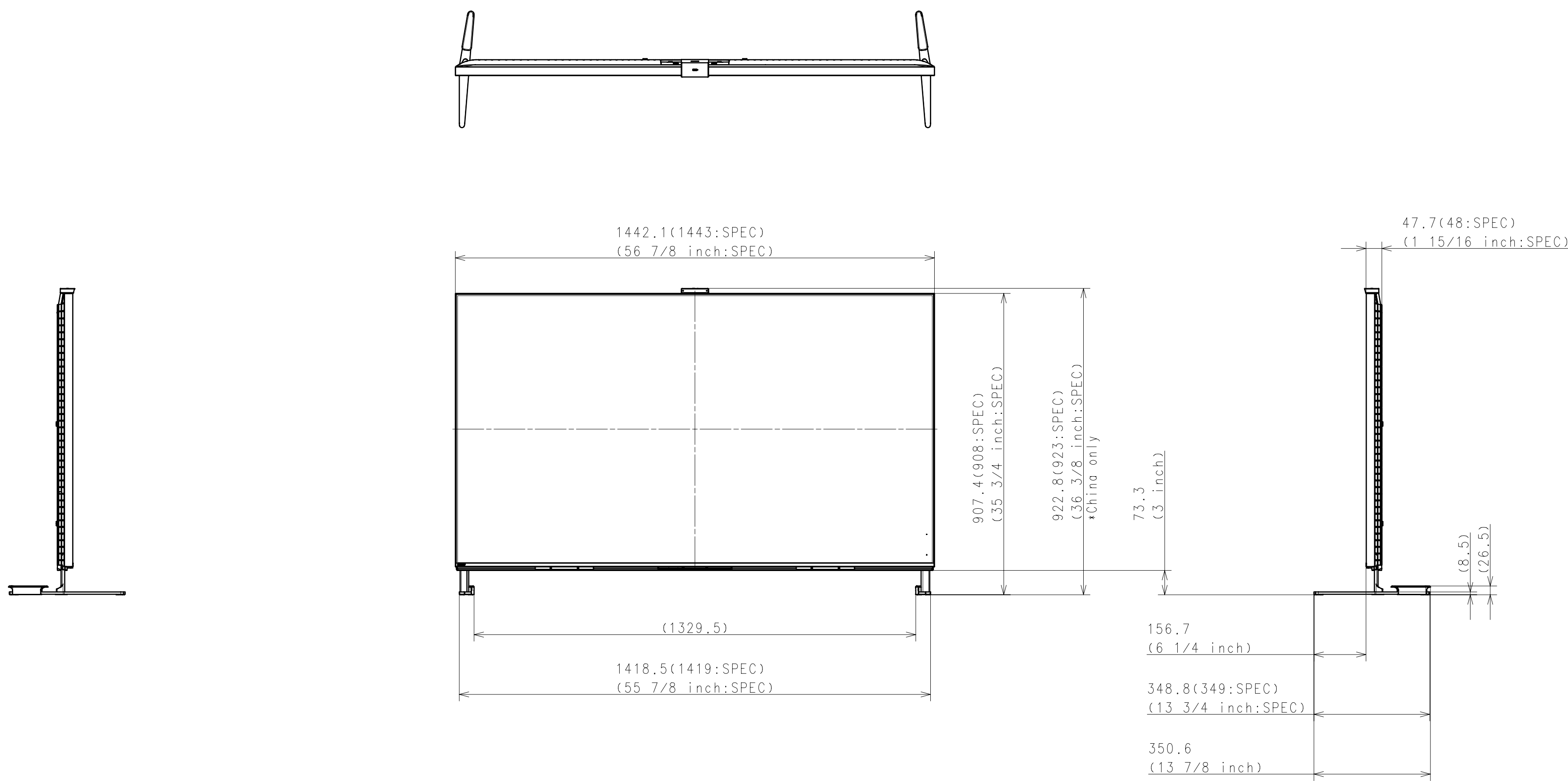
Purchase recycled resins and wire rods only from the business partners that Sony approves as Green Partners.
再生樹脂・銅線はグリーンパートナー 協賛品から調達すること。

△x	△y	△z	△w	△v	△u	△t	△s	△r	△q	△p	△o	△n	△m	△l	△k	△j	△i	△h	△g	△f	△e	△d	△c	△b	△a
HISTORY V. COUNT SUFFIX PREL. NO. REV. DATE RELEASE NO. DATE REVISION SIGN.												GENERAL TOLERANCE DATE OF ISSUE 2024.01.24 DOCUMENT TYPE PART TOLERANCING DRAWING (JIS 9 000(ISO 001))													
RESPONSIBLE DEPARTMENT PTC_MD div1 MD dep11 PLANNED BY 2024.01.24 Kai Takahashi DRAWN BY 2024.01.24 Kai Takahashi												ORIGINAL MODEL 65(XR90) EXTERIOR VIEW TENTATIVE MODEL 65(XR90) EXTERIOR VIEW SCALE 1:1 SIZE A1 UNIT mm PART NO. SUFFIX REV. NO. 1 / 7													

TV WITH STAND (INSIDE)

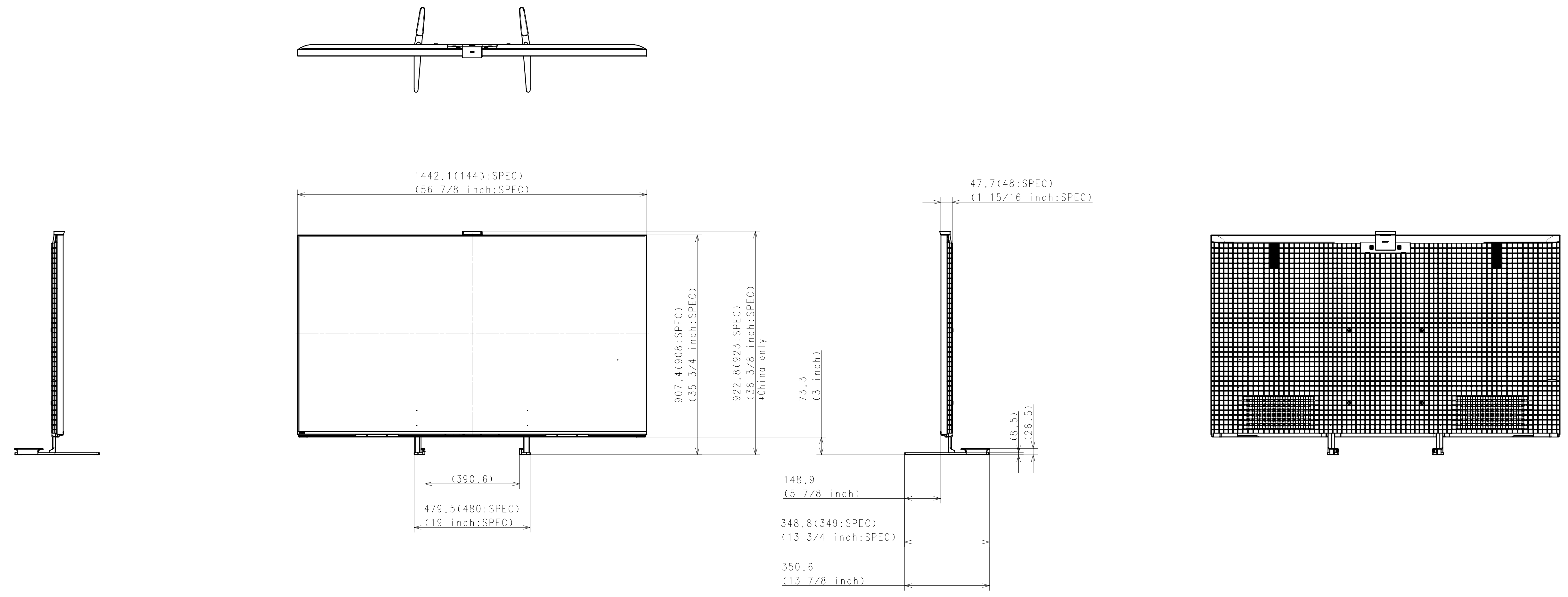


TV WITH STAND (OUTSIDE FOR SOUNDBAR)



DESCRIPTION 1	LEGAL OWNER	SCALE
65(XR90) EXTERIOR VIEW	Sony Corporation	T:1
DESCRIPTION 2	PART NO.	SHEET/PAGES
65(XR90) EXTERIOR VIEW		2 / 7

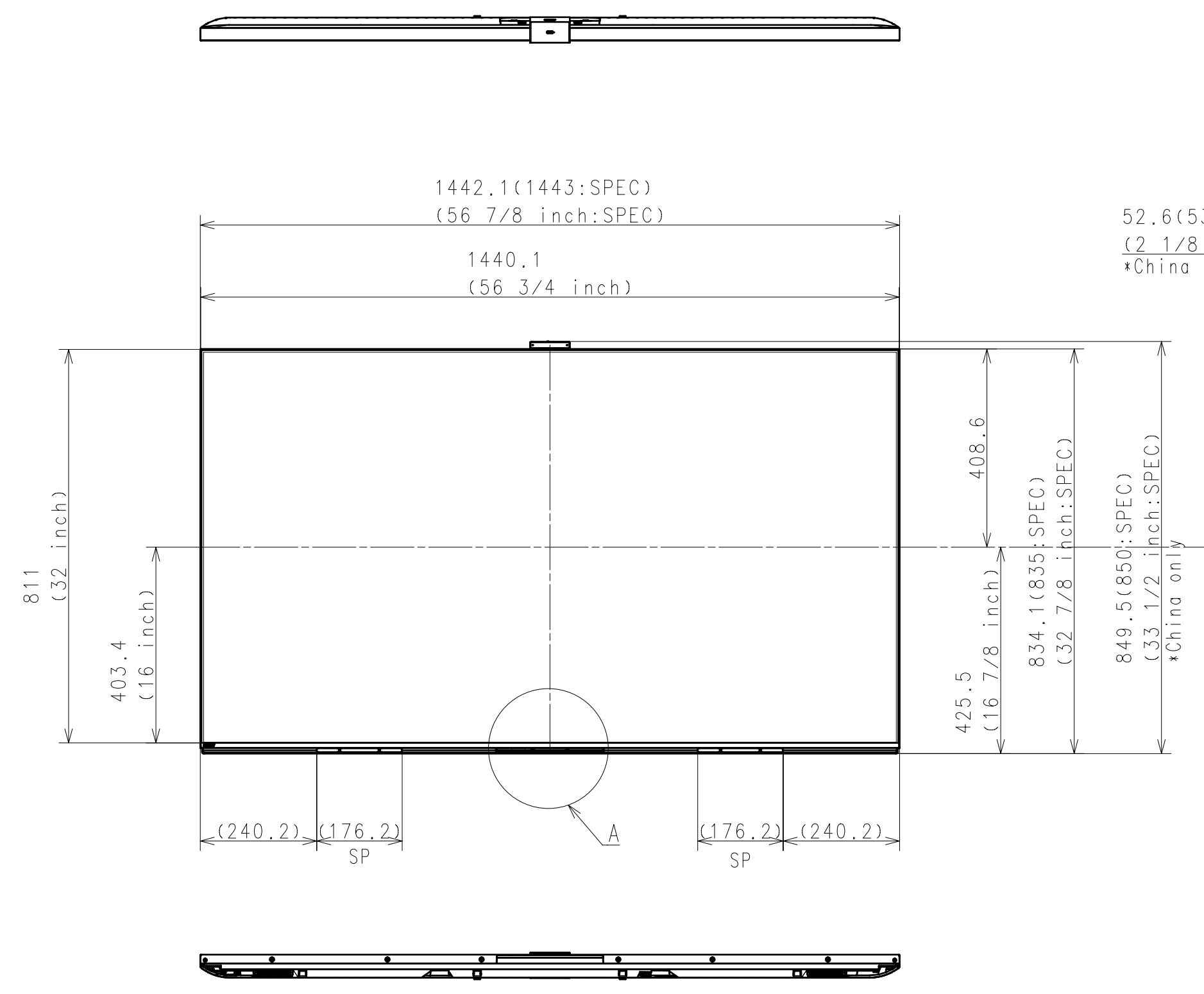
TV WITH STAND (INSIDE FOR SOUNDBAR)



SONY STANDARD
DRAWING

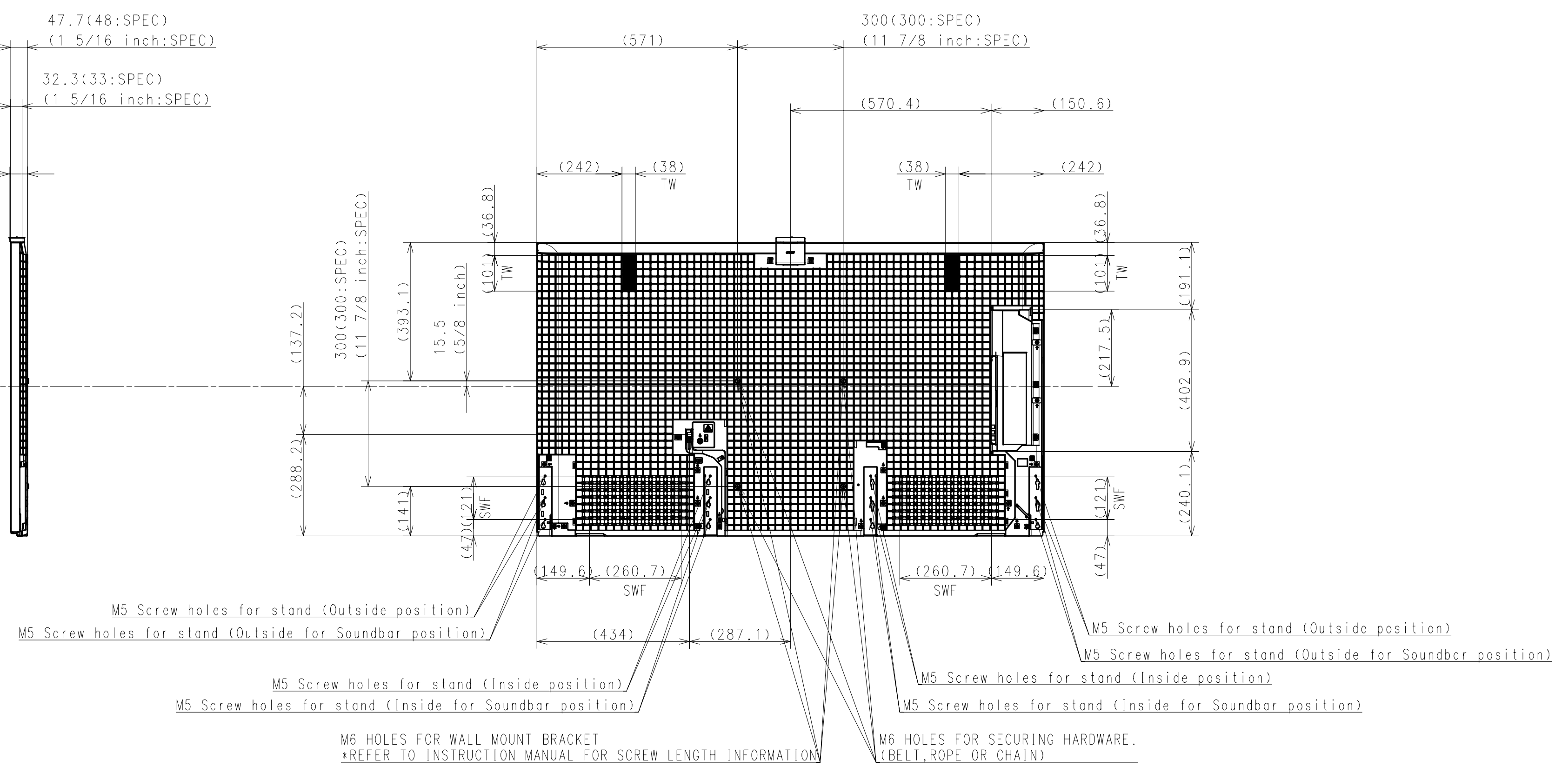
DESCRIPTION 1	LEGAL OWNER	SCALE
65(XR90) EXTERIOR VIEW	Sony Corporation	1:1
DESCRIPTION 2	PART NO.	SHEET/PAGES
65(XR90) EXTERIOR VIEW		3 / 7

TV ONLY (WITHOUT STAND)

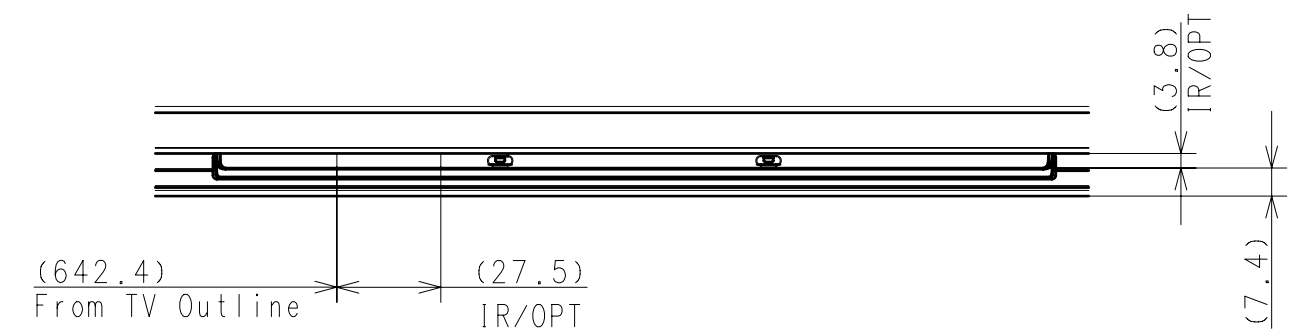


47.7 (48:SPEC)
(1 5/16 inch:SPEC)
32.3 (33:SPEC)
(1 5/16 inch:SPEC)

52.6 (53:SPEC)
(2 1/8 inch:SPEC)
*China only

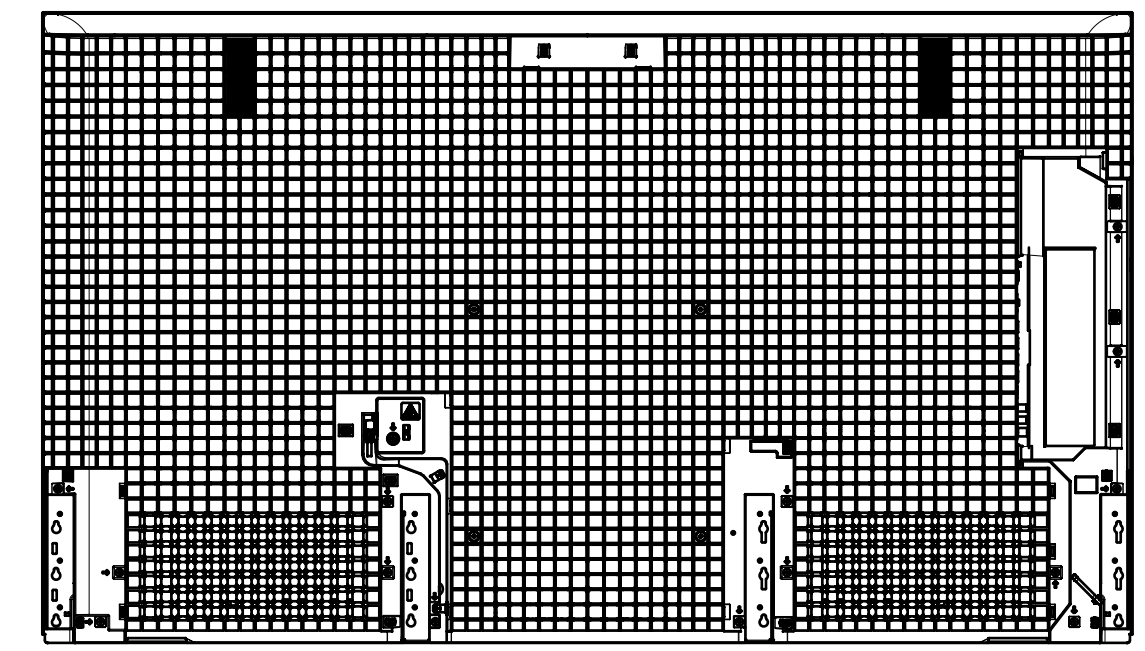


FOR CHINA



DETAIL A
1:2

ALL DESTINATIONS EXCEPT CHINA

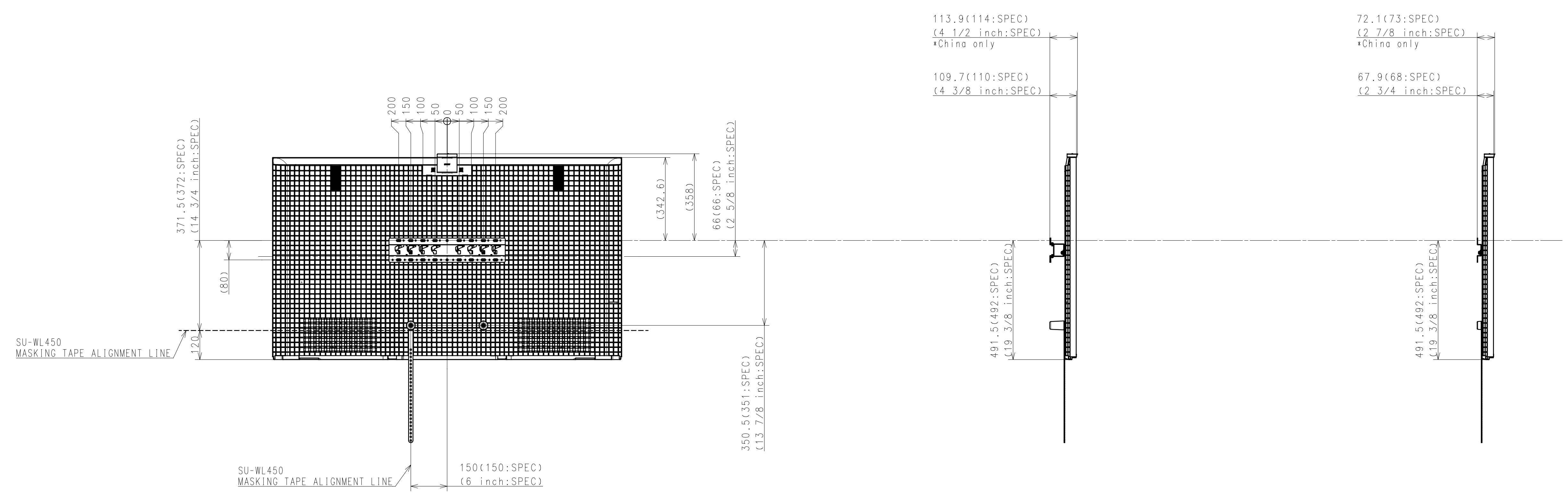


DESCRIPTION 1	65(XR90) EXTERIOR VIEW	LEGAL OWNER	Sony Corporation	SCALE	1:1
DESCRIPTION 2	65(XR90) EXTERIOR VIEW	PART NO.		SHEET/PAGES	4 / 7

SU-WL450

STANDARD

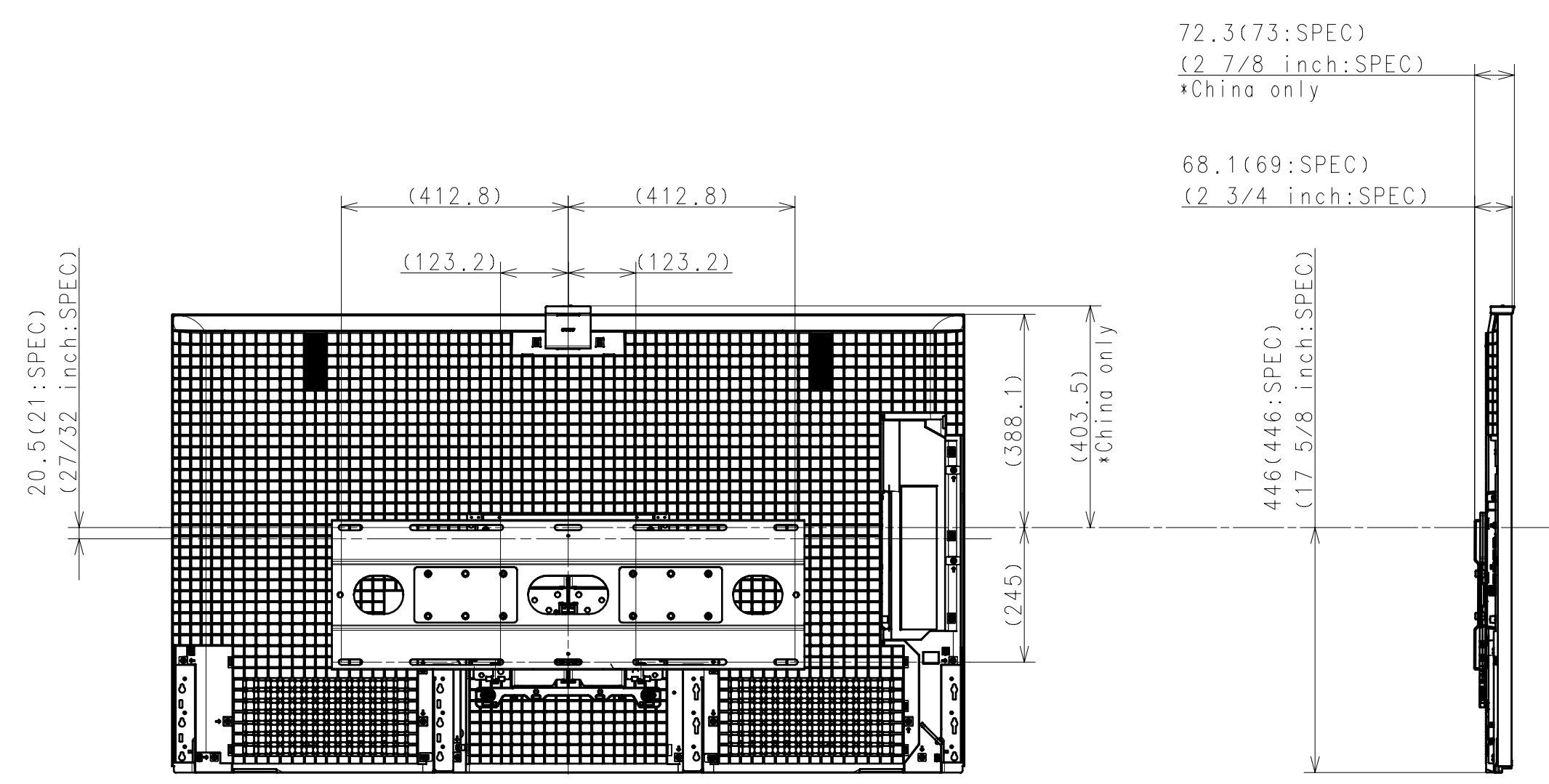
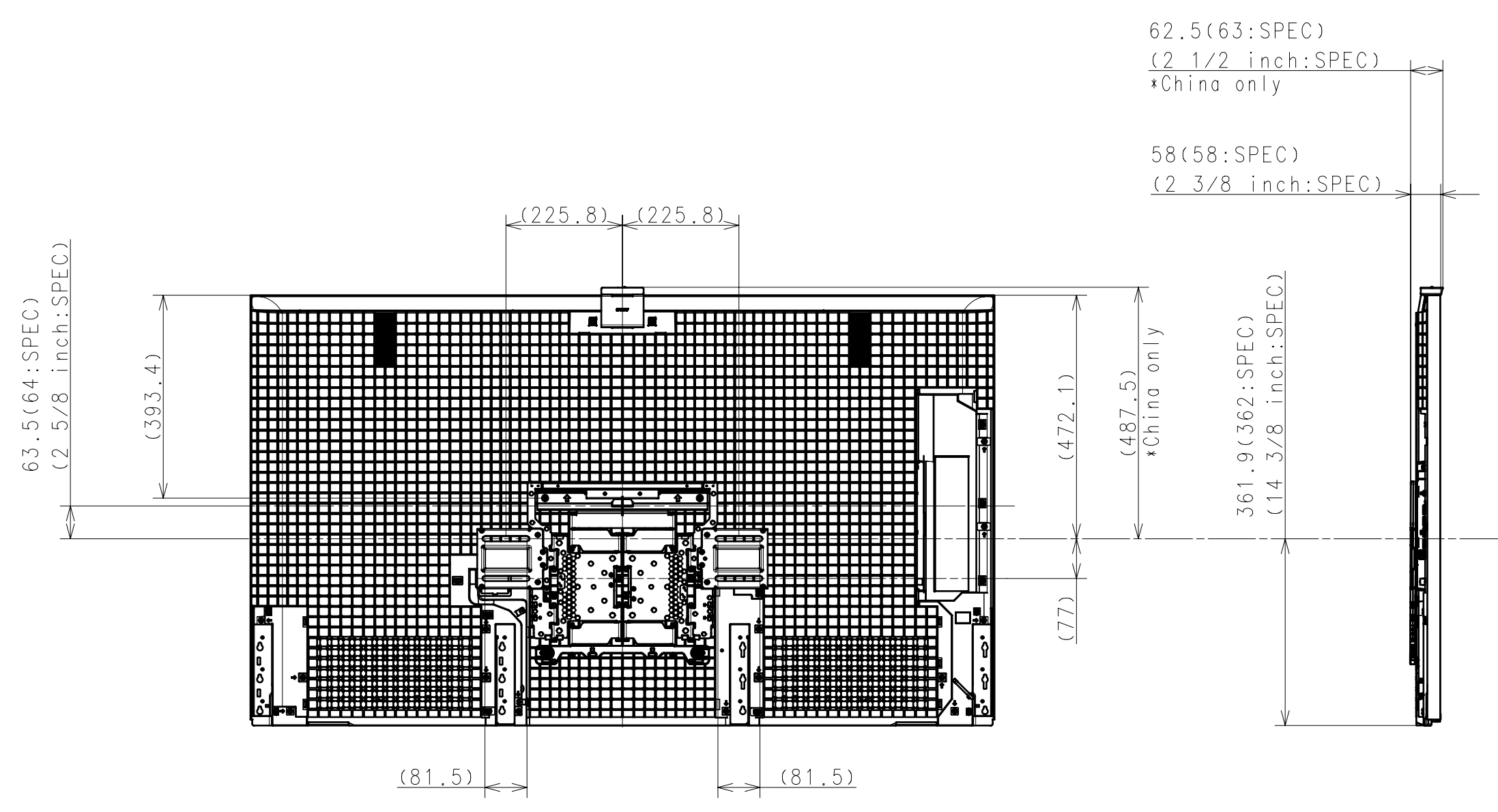
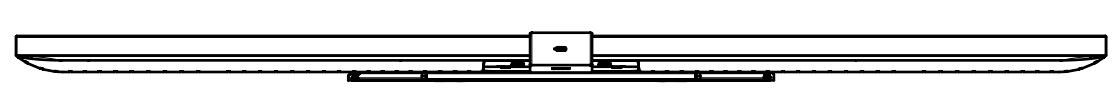
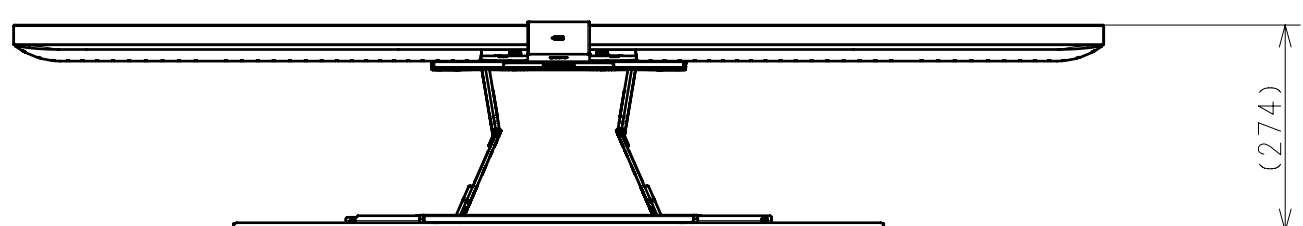
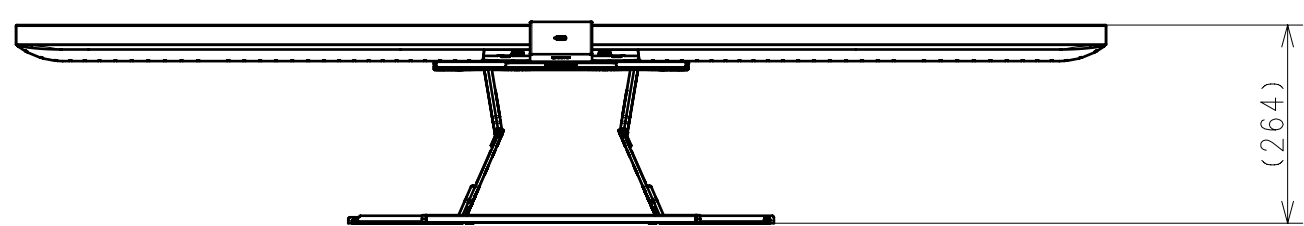
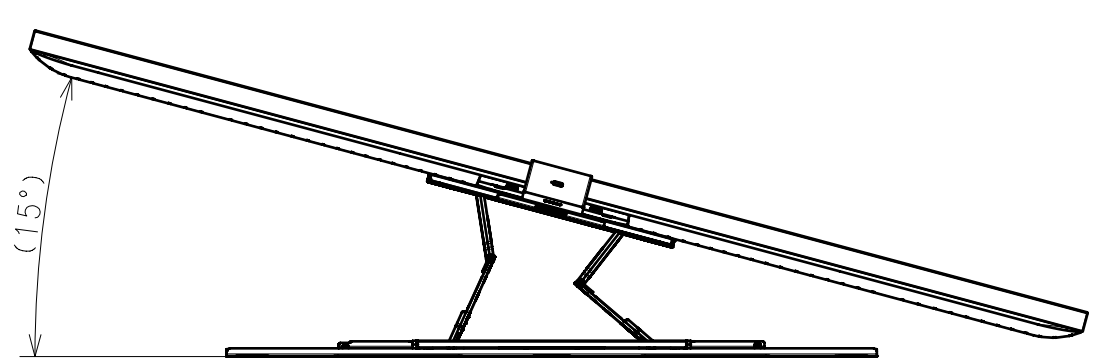
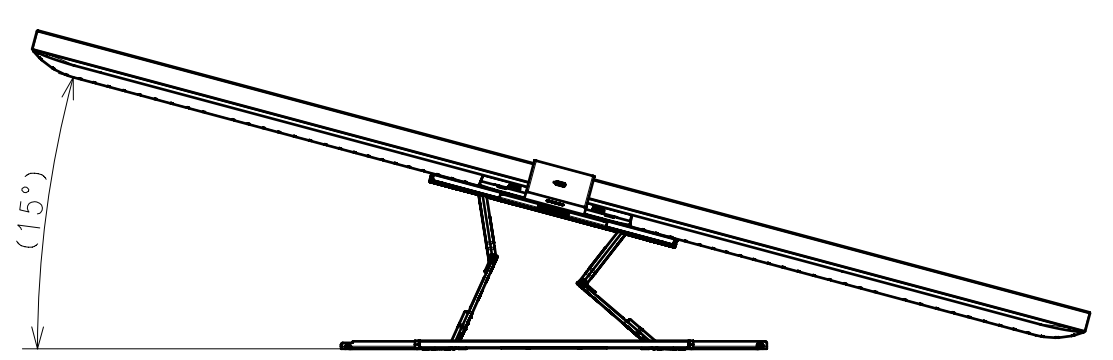
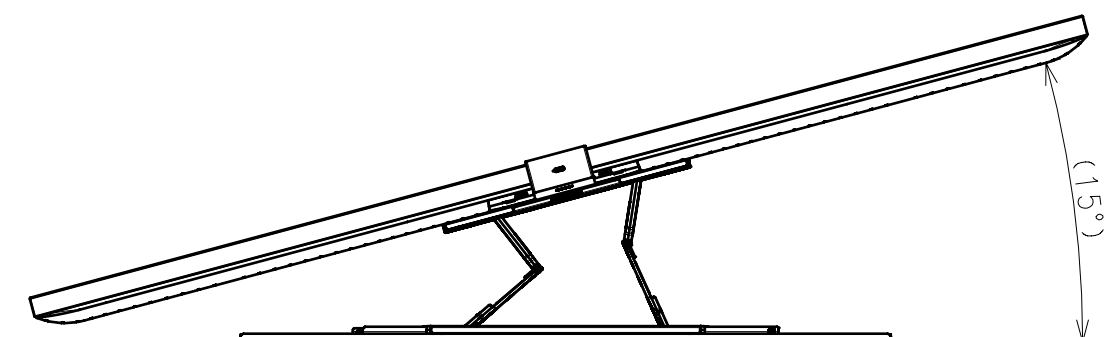
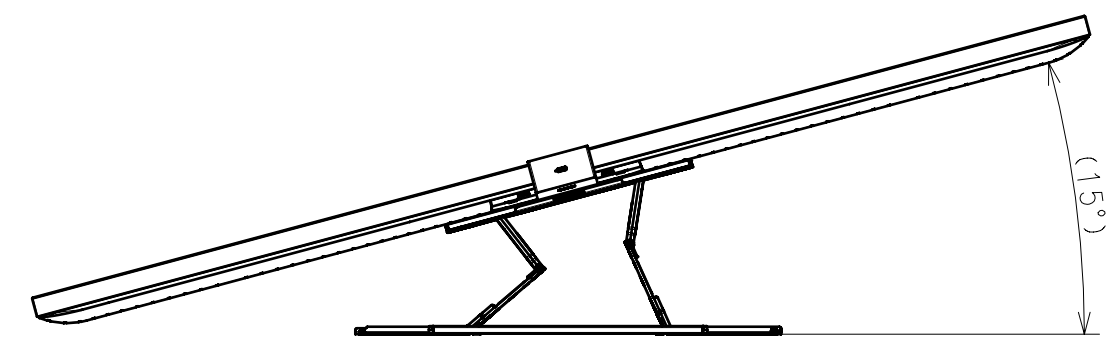
SLIM



DESCRIPTION 1	LEGAL OWNER	SCALE
65(XR90) EXTERIOR VIEW	Sony Corporation	1:1
DESCRIPTION 2	PART NO.	SHEET/PAGES
65(XR90) EXTERIOR VIEW		5 / 7

SU-W850

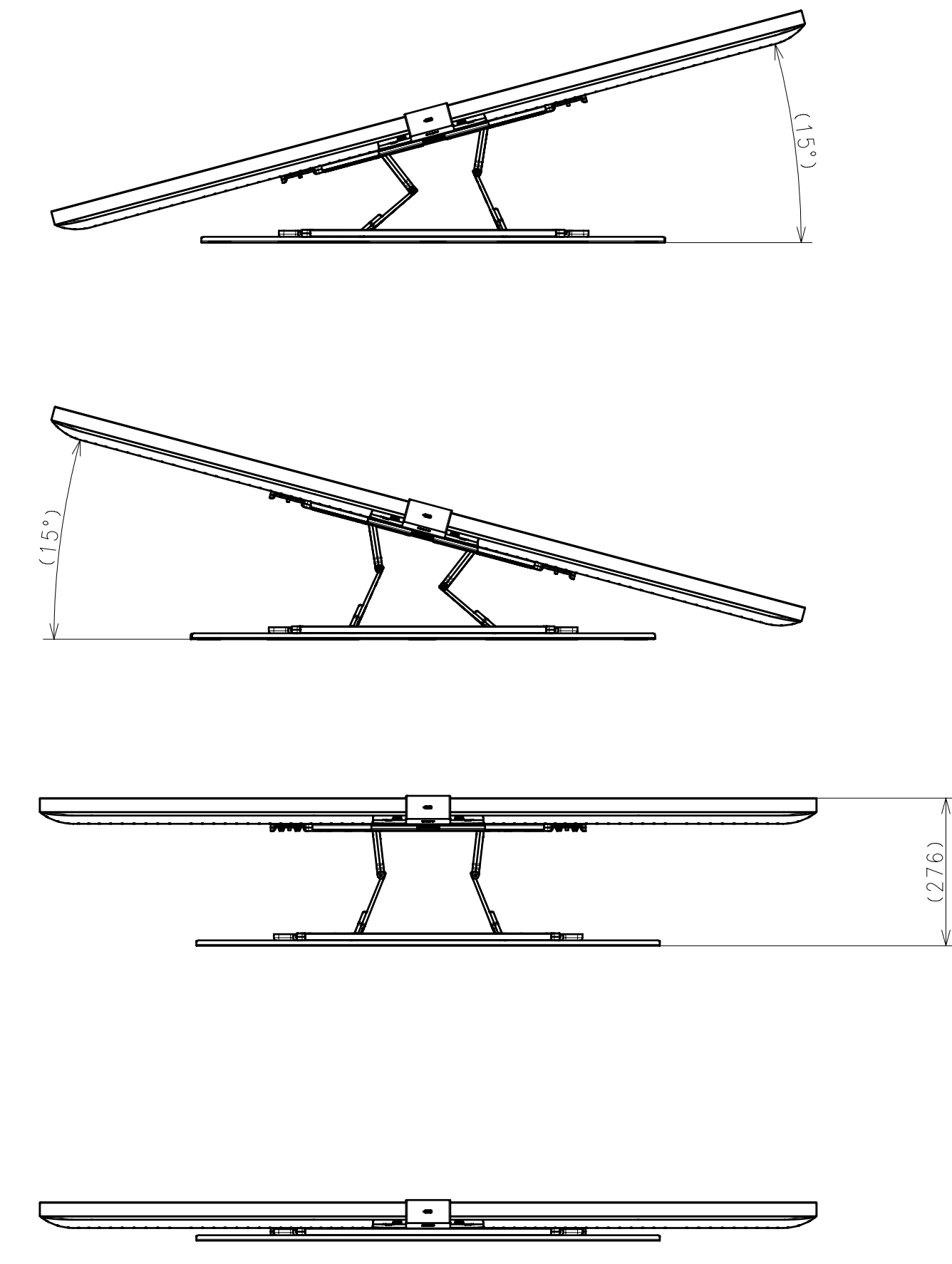
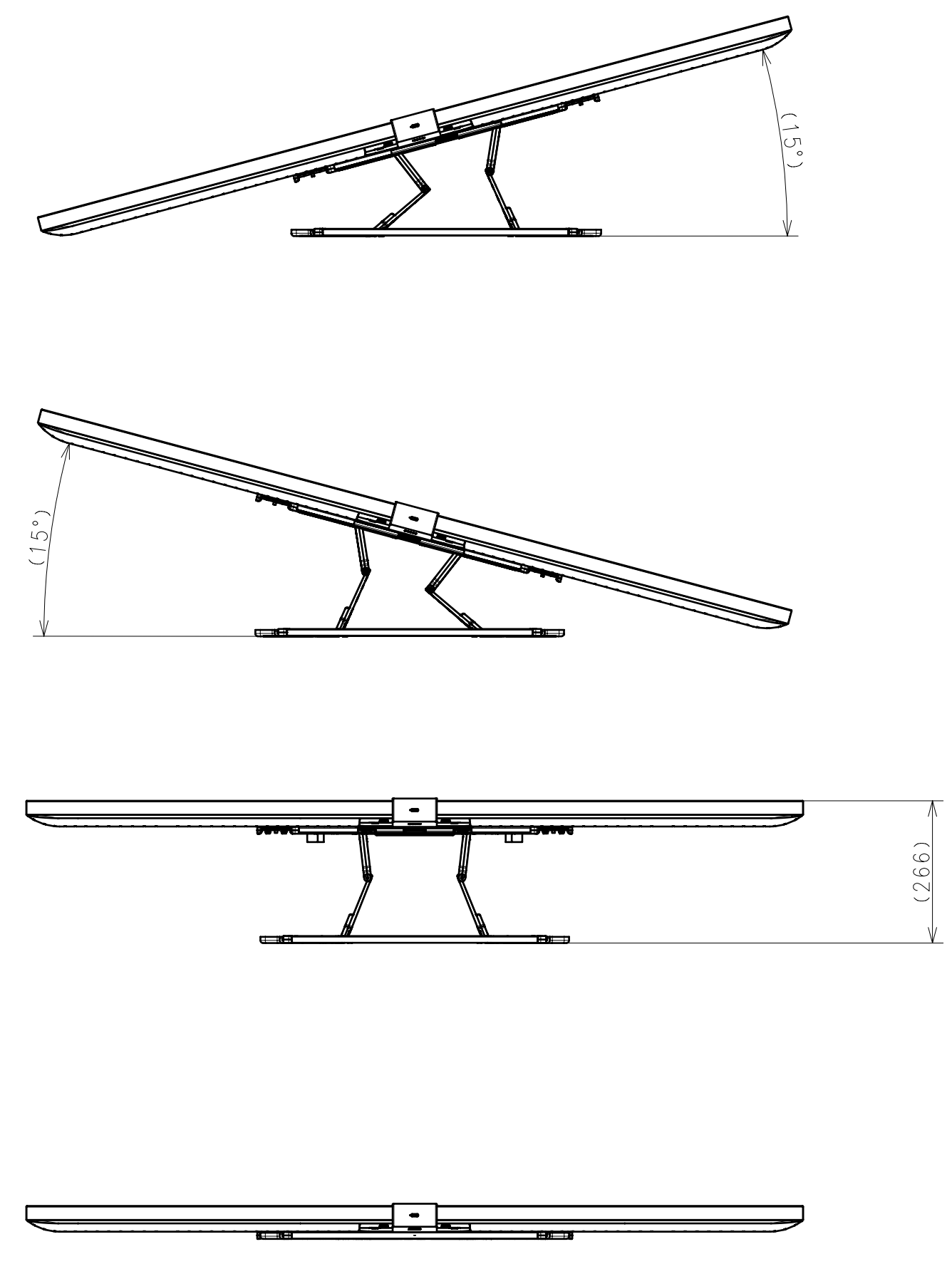
SU-WL855



DESCRIPTION 1	LEGAL OWNER	SCALE
65(XR90) EXTERIOR VIEW	Sony Corporation	T:1
DESCRIPTION 2	PART NO.	SHEET/PAGES
65(XR90) EXTERIOR VIEW		6 / 7

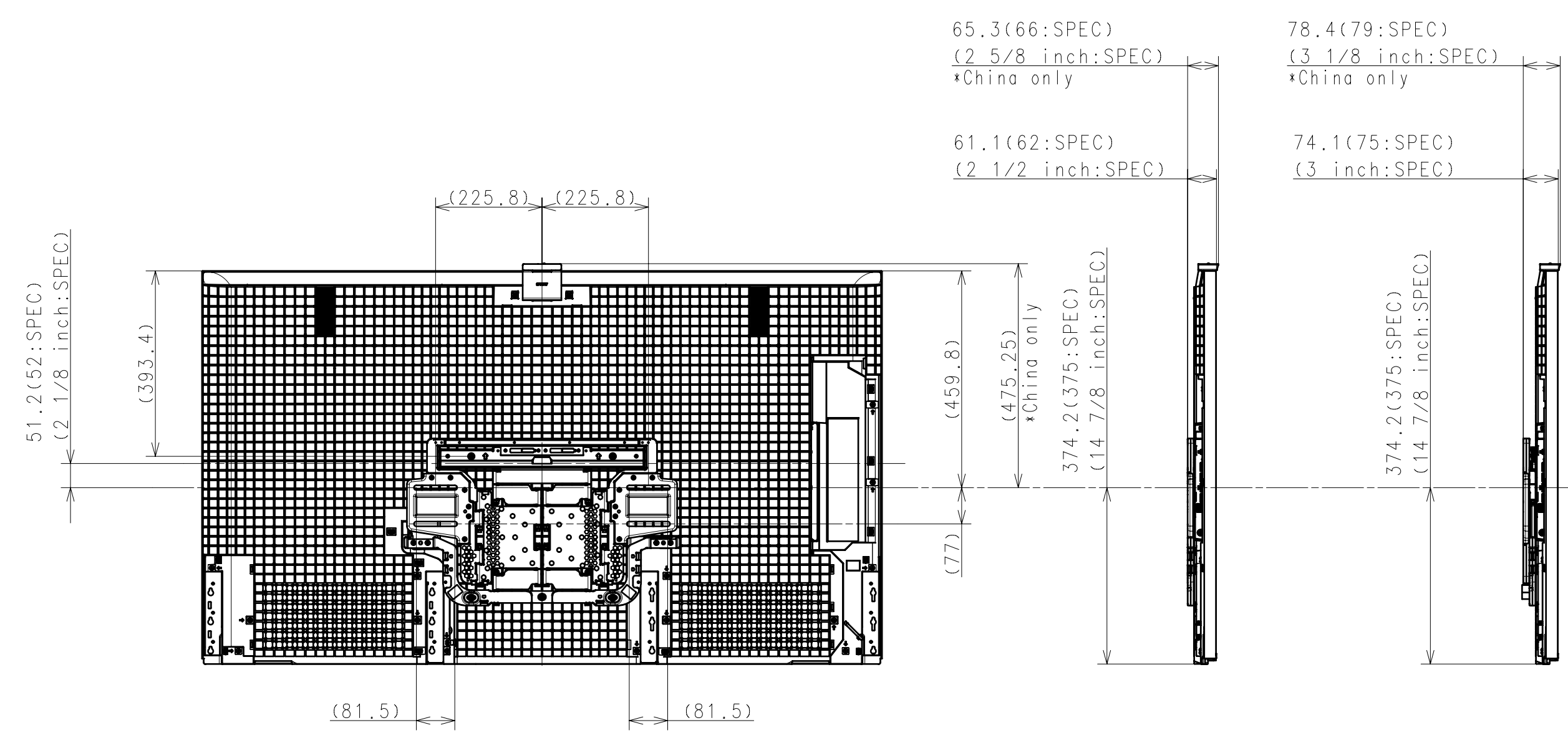
SU-WL900

SU-WL905



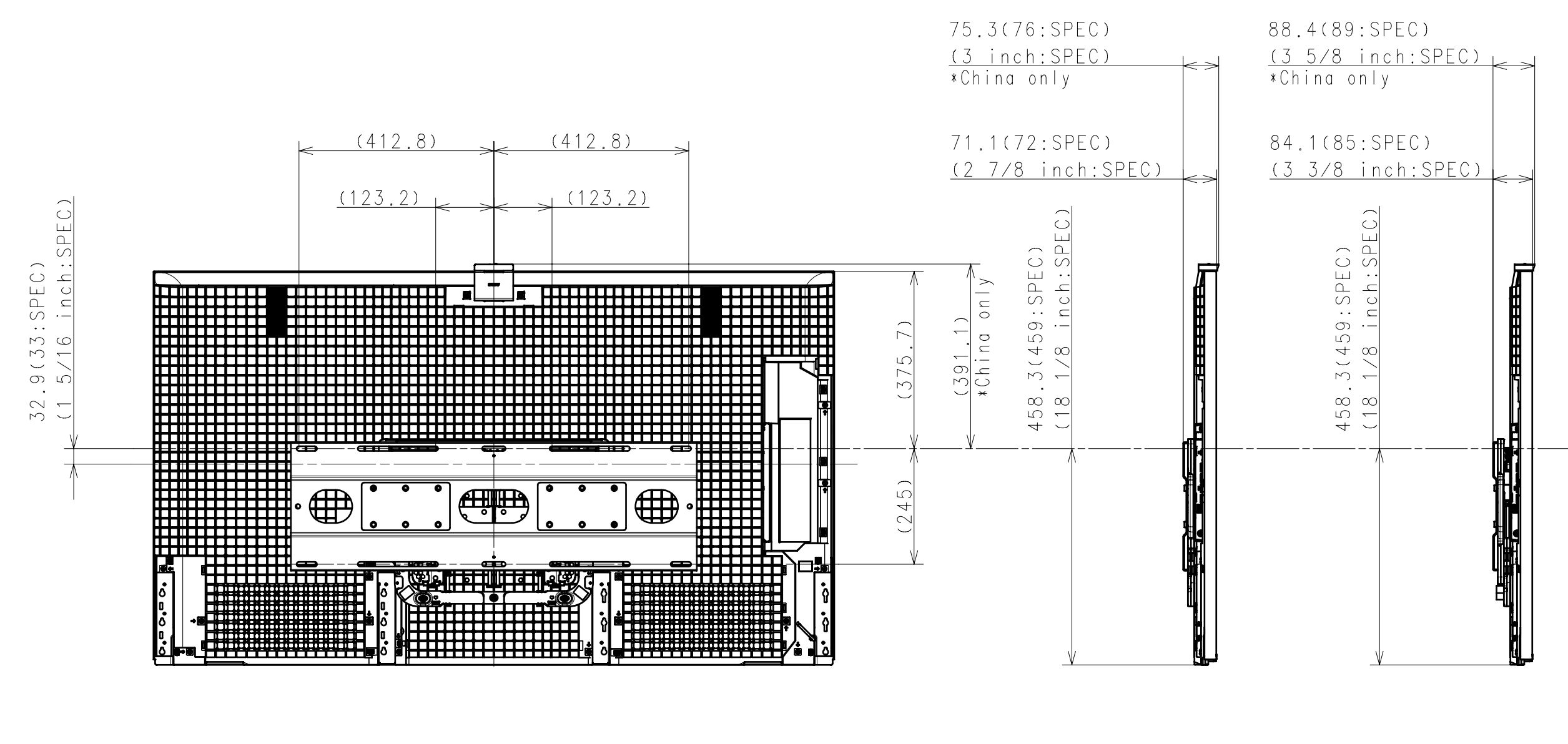
SLIM

STANDARD



SLIM

STANDARD



DESCRIPTION 1 65(XR90) EXTERIOR VIEW	LEGAL OWNER Sony Corporation	SCALE 1:1
DESCRIPTION 2 65(XR90) EXTERIOR VIEW	PART NO.	SHEET/PAGES 7 / 7