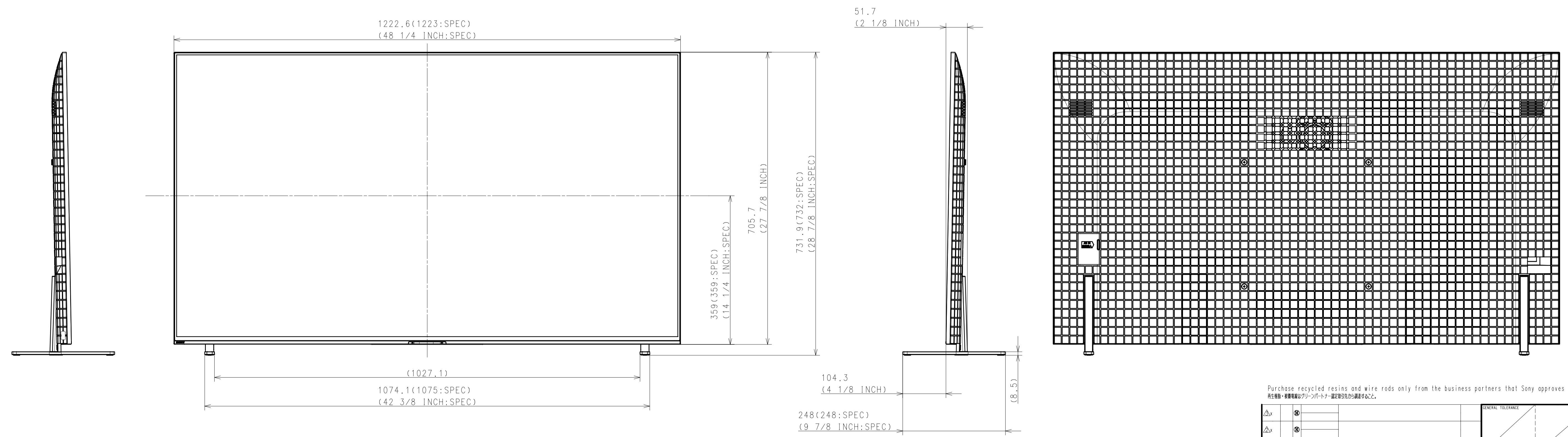
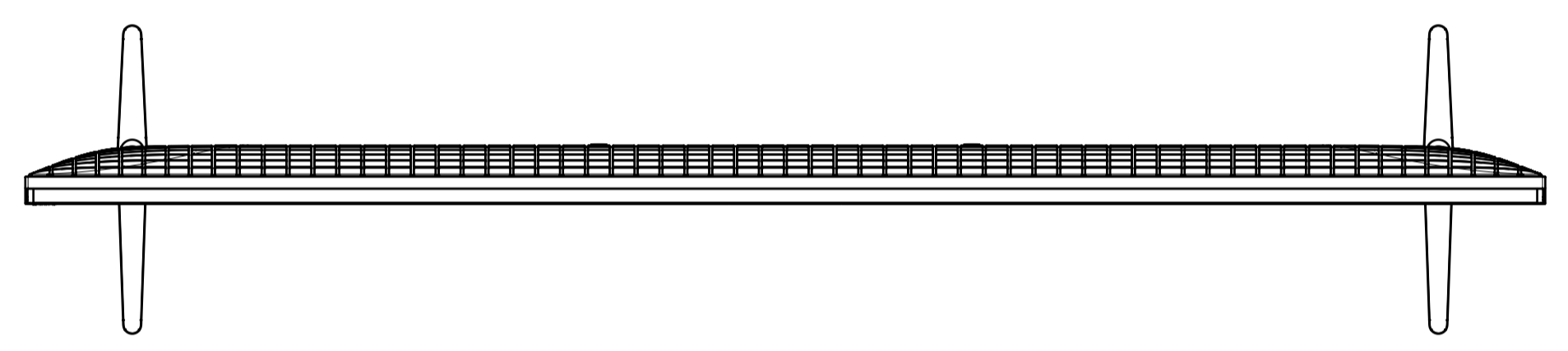


Area		JAPAN	NORTH AMERICA	LATIN AMERICA	EUROPE	GENERAL AREA + IN5 stand models	CHINA	IN5 Stand-less
Model Name		K-55XR80	K-55XR80	K-55XR80	K-55XR80	K-55XR80	K-55XR80	K-55XR80
SV No.		SV-42135	SV-42111	SV-42121	SV-42128	SV-42198	SV-42219	SV-42152
DIMENSION	TV only (W x H x D)	122.3 x 70.6 x 3.7 cm	1223 x 706 x 37 mm / 48 1/4 x 27 7/8 x 1 1/2 inch	1223 x 706 x 37 mm	Approx. 122.3 x 70.6 x 3.7 cm	Approx. 1223 x 706 x 37 mm	Approx. 1223 x 706 x 37 mm	Approx. 1223 x 706 x 37 mm
	TV only with camera (W x H x D)	-	-	-	-	-	-	-
	TV with Stand (Outside) (W x H x D)	122.3 x 73.2 x 24.8 cm	1223 x 732 x 248 mm / 48 1/4 x 28 7/8 x 9 7/8 inch	1223 x 732 x 248 mm	Approx. 122.3 x 73.2 x 24.8 cm	Approx. 1223 x 732 x 248 mm	Approx. 1223 x 732 x 248 mm	Approx. 1223 x 732 x 248 mm
	TV with Stand (Inside) (W x H x D)	122.3 x 73.2 x 24.8 cm	1223 x 732 x 248 mm / 48 1/4 x 28 7/8 x 9 7/8 inch	1223 x 732 x 248 mm	Approx. 122.3 x 73.2 x 24.8 cm	Approx. 1223 x 732 x 248 mm	Approx. 1223 x 732 x 248 mm	Approx. 1223 x 732 x 248 mm
	TV with Stand (Outside for Soundbar) (W x H x D)	122.3 x 78.6 x 24.8 cm	1223 x 786 x 248 mm / 48 1/4 x 31 x 9 7/8 inch	1223 x 786 x 248 mm	Approx. 122.3 x 78.6 x 24.8 cm	Approx. 1223 x 786 x 248 mm	Approx. 1223 x 786 x 248 mm	Approx. 1223 x 786 x 248 mm
	TV with Stand (Inside for Soundbar) (W x H x D)	122.3 x 78.6 x 24.8 cm	1223 x 786 x 248 mm / 48 1/4 x 31 x 9 7/8 inch	1223 x 786 x 248 mm	Approx. 122.3 x 78.6 x 24.8 cm	Approx. 1223 x 786 x 248 mm	Approx. 1223 x 786 x 248 mm	Approx. 1223 x 786 x 248 mm
	TV with Stand (Front position style) (W x H x D)	-	-	-	-	-	-	-
	TV with Stand (Back position style) (W x H x D)	-	-	-	-	-	-	-
	TV with Floor Stand (W x H x D)	-	-	-	-	-	-	-
	Stand Width (Outside)	107.5 cm	1075 mm / 42 3/8 inch	1075 mm	Approx. 107.5 cm	Approx. 1075 mm	Approx. 1075 mm	Approx. 1075 mm
Stand Width (Inside)	58.4 cm	584 mm / 23 inch	584 mm	Approx. 58.4 cm	Approx. 584 mm	Approx. 584 mm	Approx. 584 mm	
Stand Width (Outside for Soundbar)	107.5 cm	1075 mm / 42 3/8 inch	1075 mm	Approx. 107.5 cm	Approx. 1075 mm	Approx. 1075 mm	Approx. 1075 mm	
Stand Width (Inside for Soundbar)	58.4 cm	584 mm / 23 inch	584 mm	Approx. 58.4 cm	Approx. 584 mm	Approx. 584 mm	Approx. 584 mm	
Stand Width (Front position style)	-	-	-	-	-	-	-	
Stand Width (Back position style)	-	-	-	-	-	-	-	
Floor Stand Width	-	-	-	-	-	-	-	
VESA Hole Pitch	30.0 x 30.0 cm	300 x 300 mm / 11 7/8 x 11 7/8 inch	300 x 300 mm	30.0 x 30.0 cm	300 x 300 mm	300 x 300 mm	300 x 300 mm	
WEIGHT	TV Only	17.1 kg	17.1 kg / 37.7 lb	17.1 kg	Approx. 17.1 kg	Approx. 17.1 kg	Approx. 17.1 kg	Approx. 17.1 kg
	TV with Stand (Outside)	18 kg	18 kg / 39.7 lb	18 kg	Approx. 18 kg	Approx. 18 kg	Approx. 18 kg	-
	TV with Stand (Inside)	18 kg	18 kg / 39.7 lb	18 kg	Approx. 18 kg	Approx. 18 kg	Approx. 18 kg	-
	TV with Stand (Outside for Soundbar)	18 kg	18 kg / 39.7 lb	18 kg	Approx. 18 kg	Approx. 18 kg	Approx. 18 kg	-
	TV with Stand (Inside for Soundbar)	18 kg	18 kg / 39.7 lb	18 kg	Approx. 18 kg	Approx. 18 kg	Approx. 18 kg	-
	TV with Stand (Front/Back position style)	-	-	-	-	-	-	-
	TV with Floor Stand	-	-	-	-	-	-	-
	Floor Stand weight (Supply)	-	-	-	-	-	-	-
W-M't Br. Weight (Supply)	-	-	-	-	-	-	-	
Remarks		4 way	4 way	4 way	4 way	4 way	4 way	

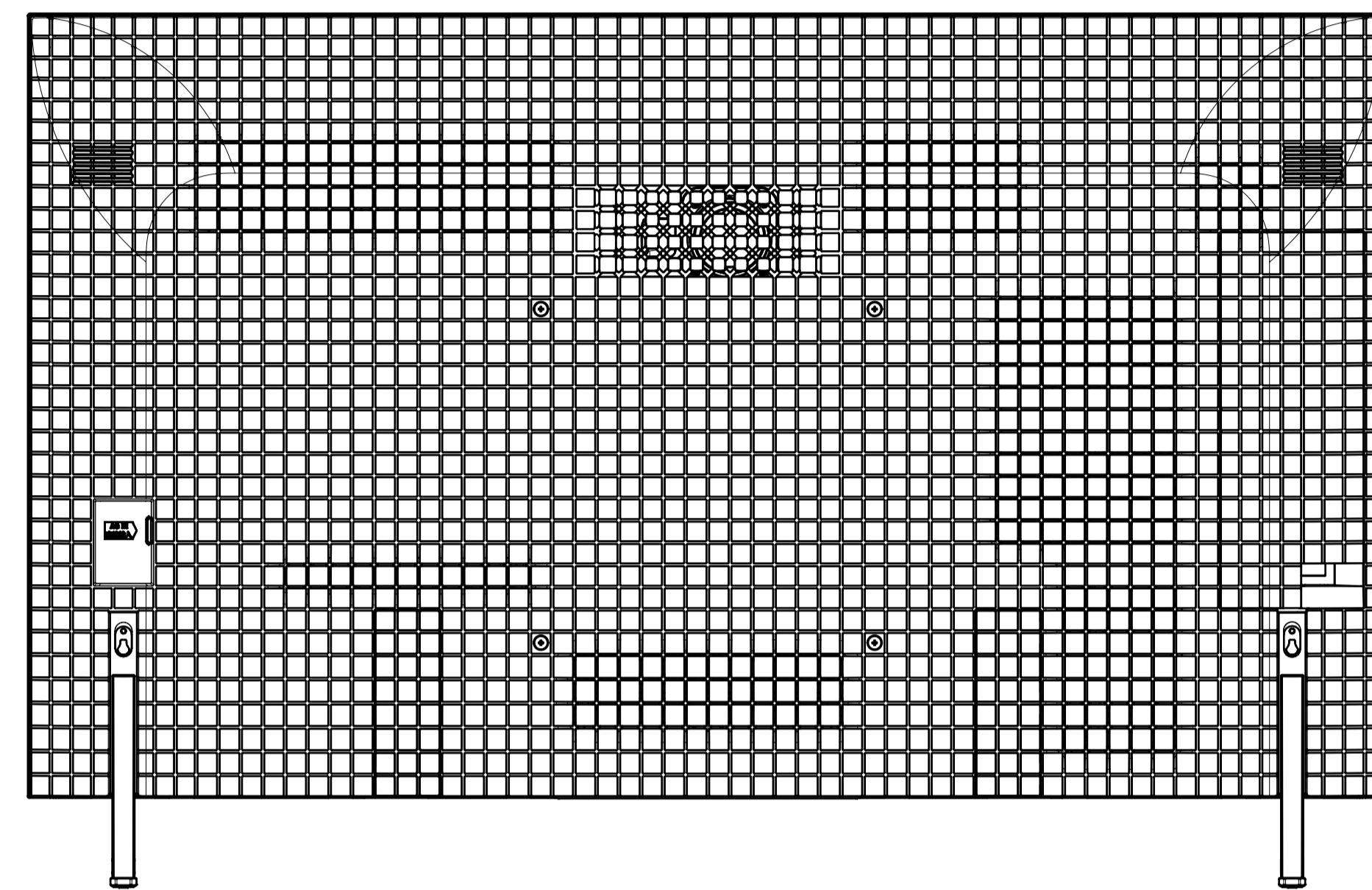
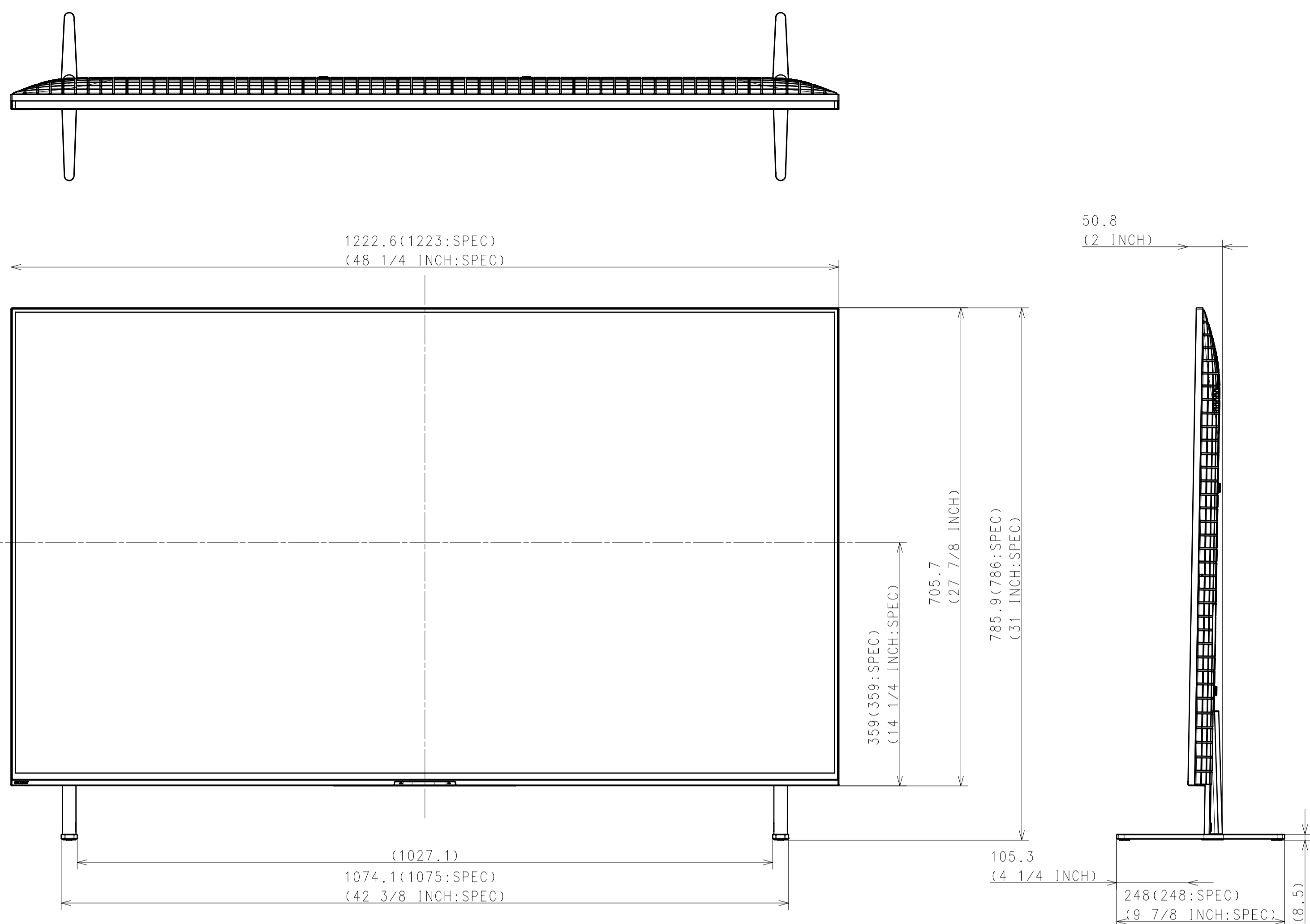
WITH STAND
OUTSIDE



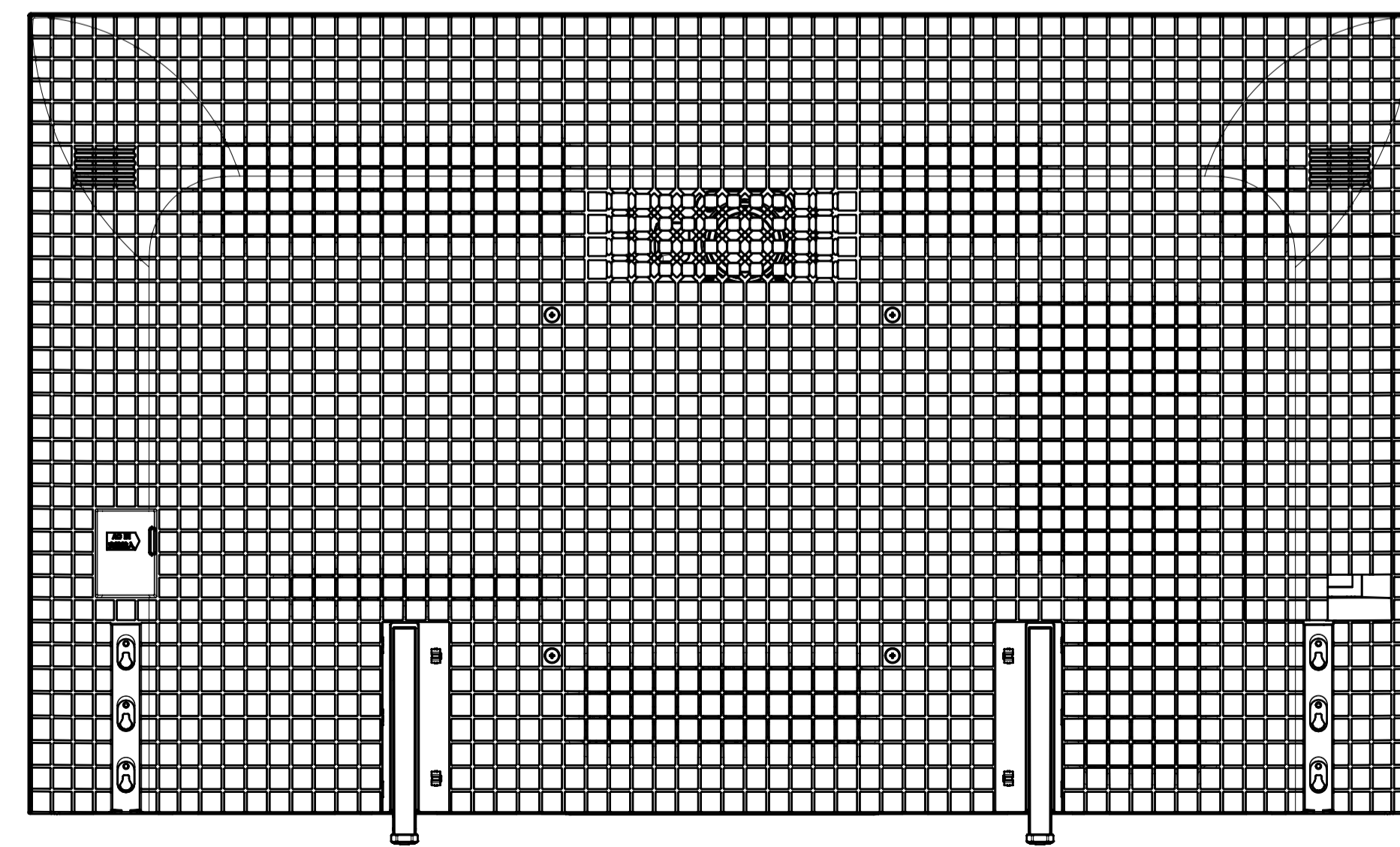
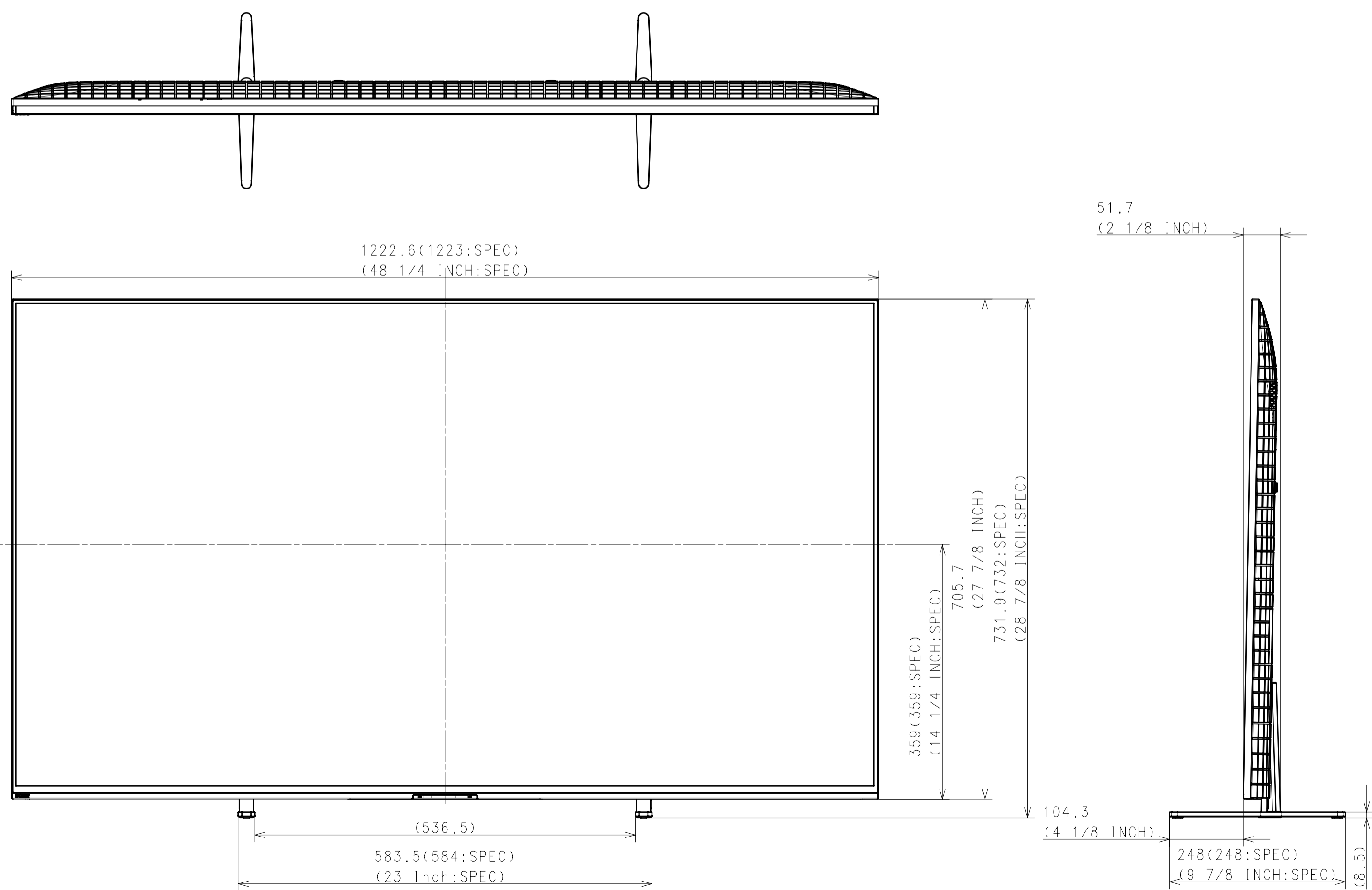
Purchase recycled resins and wire rods only from the business partners that Sony approves as Green Partners.
再生樹脂・鋼線鋼材はグリーンパートナー 認定受注先から購入すること。

△x	△y	△z	△w	△v	△u	△t	△s	△r	△q	△p	△o	△n	△m	△l	△k	△j	△i	△h	△g	△f	△e	△d	△c	△b	△a
HISTORY 1 2024.02.16 Pg.1 weight revision at Japan column 2023.12.01 2023.12.01												GENERAL TOLERANCE DATE OF ISSUE DOCUMENT TYPE PART TOOLERANCING DRAWING (JIS & ISO/IEC 15010)		MATERIAL COLOR FINISH COLOR											
RESPONSIBLE DEPARTMENT PANEL & MECHANICAL DESIGN PLANNED BY 2023.12.01 DRAWN BY 2023.12.01												CHECKED BY APPROVED BY SCALE 1:5 SIZE A1 UNIT mm		ORIGINAL MODEL DESCRIPTION \$5 (XR80) EXTERIOR VIEW \$5 (XR80) EXTERIOR VIEW PART NO. SUFFIX REV. NO. 1/8											

WITH STAND
OUTSIDE FOR
SOUNDBAR

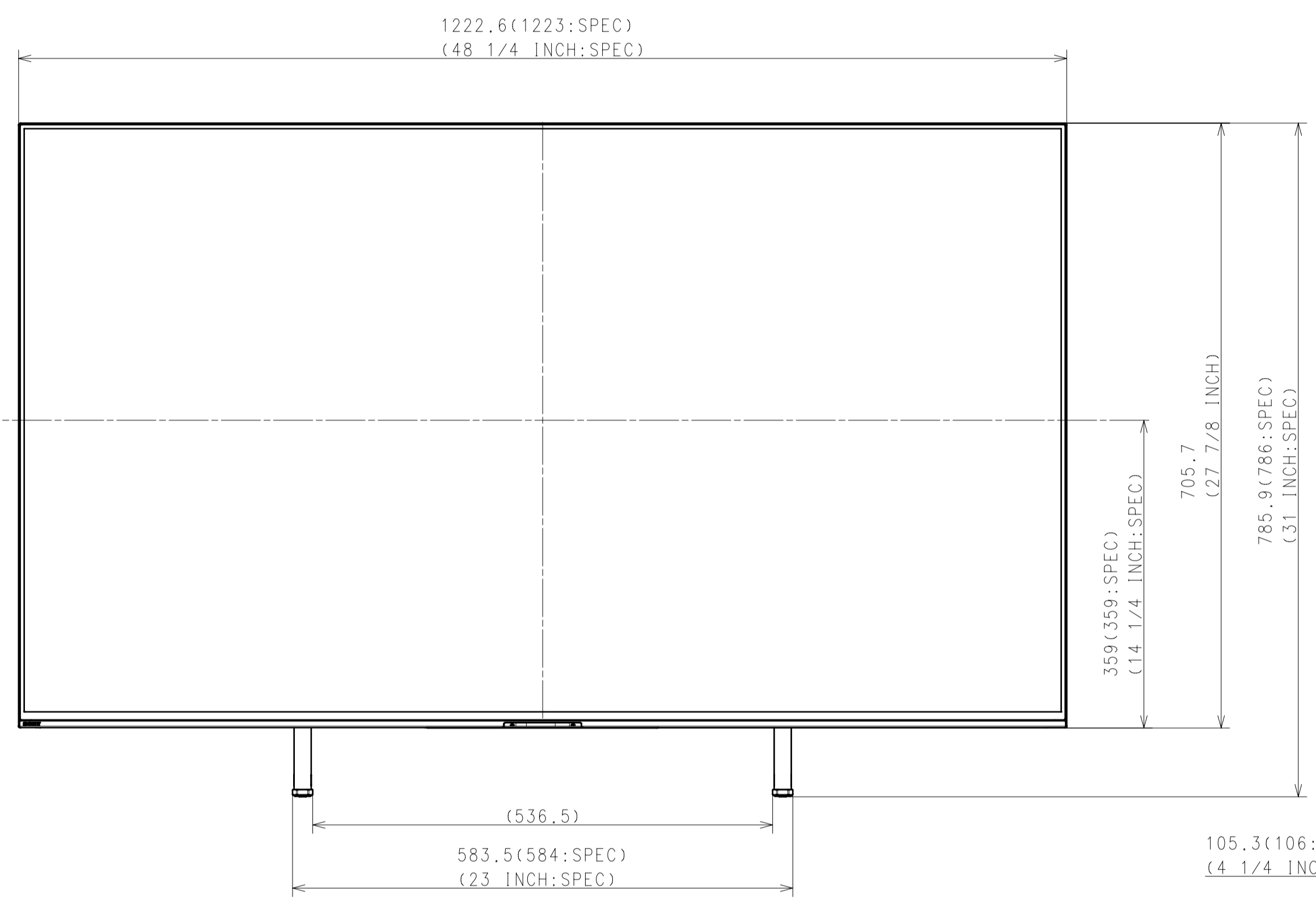
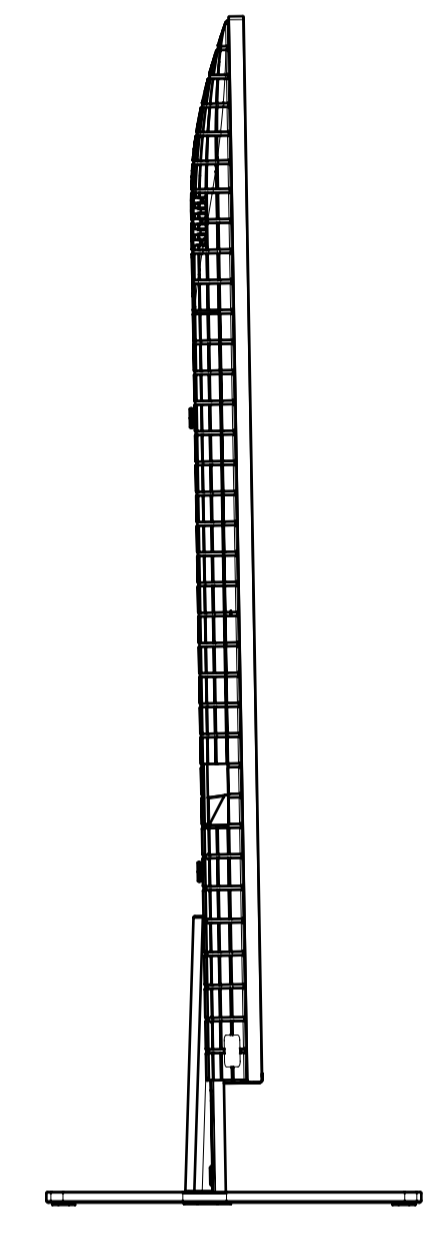
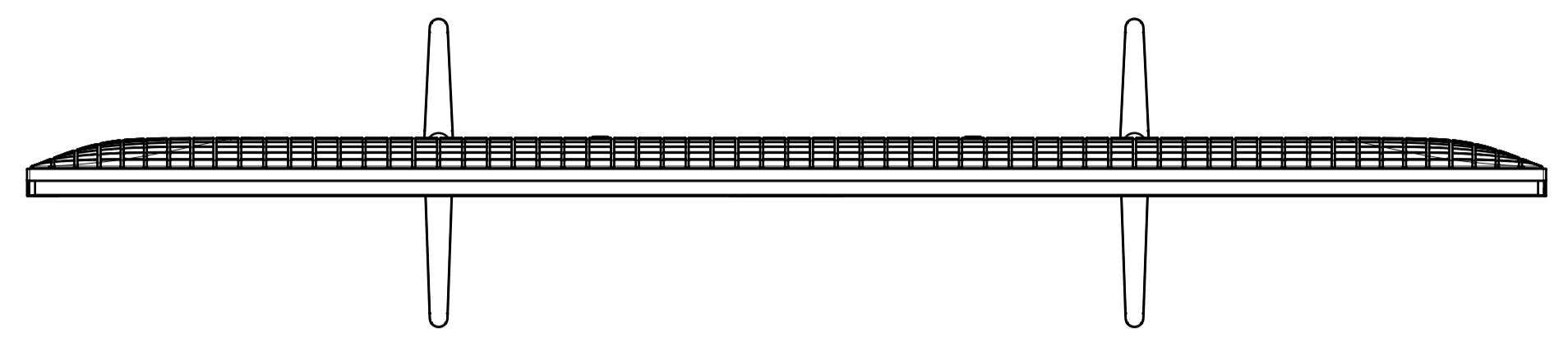


WITH STAND
INSIDE

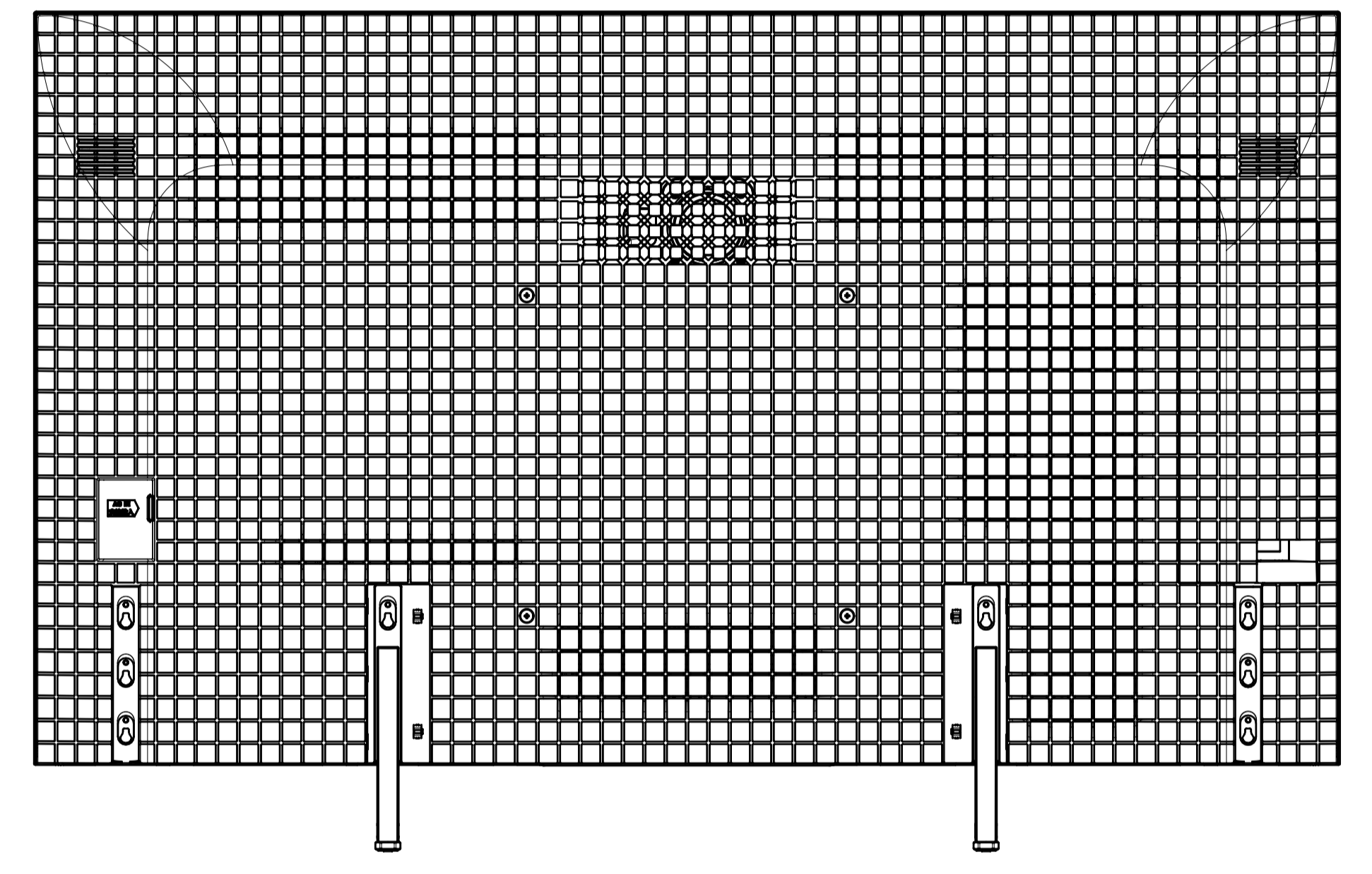


DESCRIPTION 1	LEGAL OWNER	SCALE
55 (XR80) EXTERIOR VIEW	Sony Corporation	1:5
DESCRIPTION 2	PART NO.	SHEET/PAGES
55 (XR80) EXTERIOR VIEW		2 / 8

WITH STAND
INSIDE FOR
SOUNDBAR

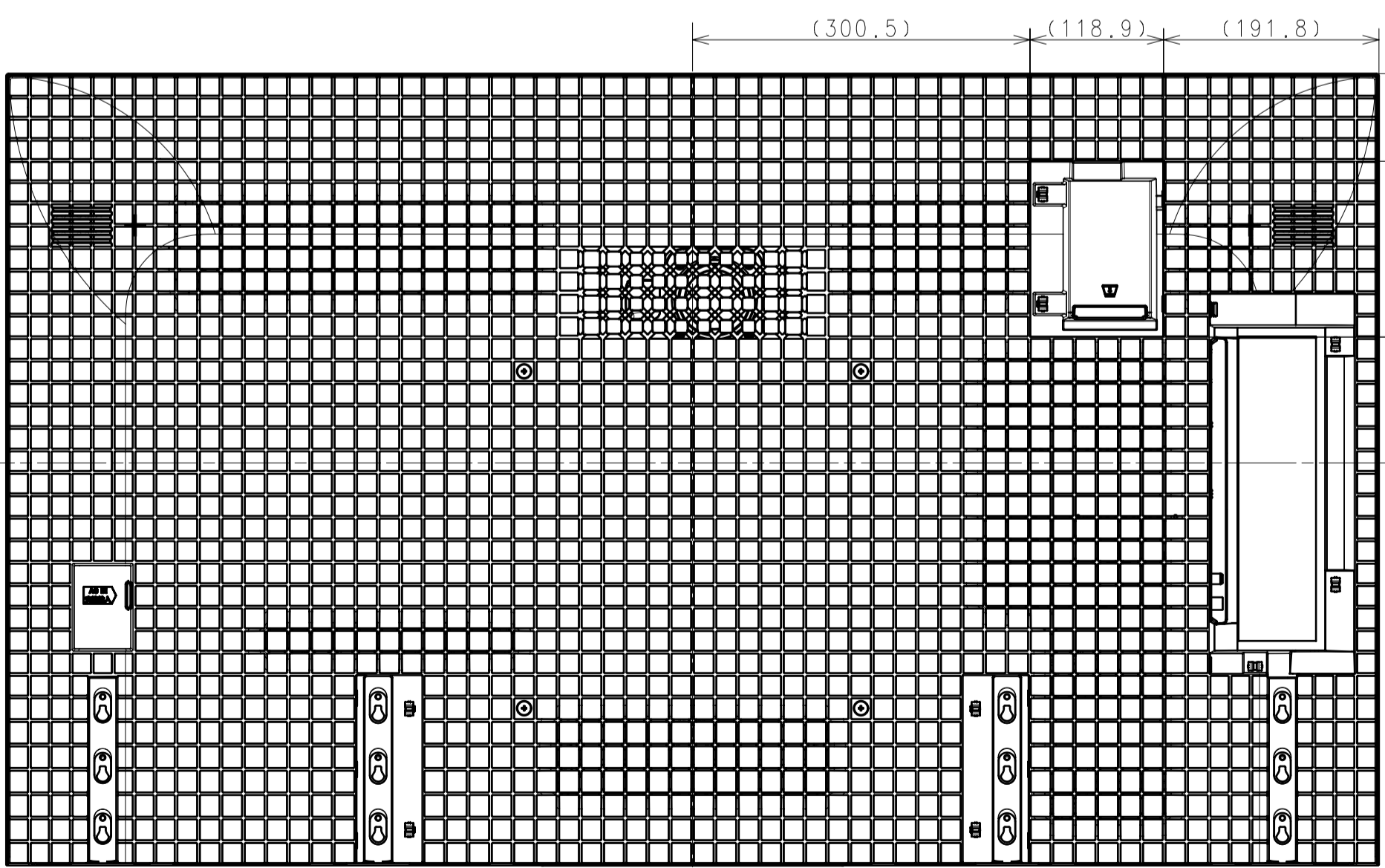
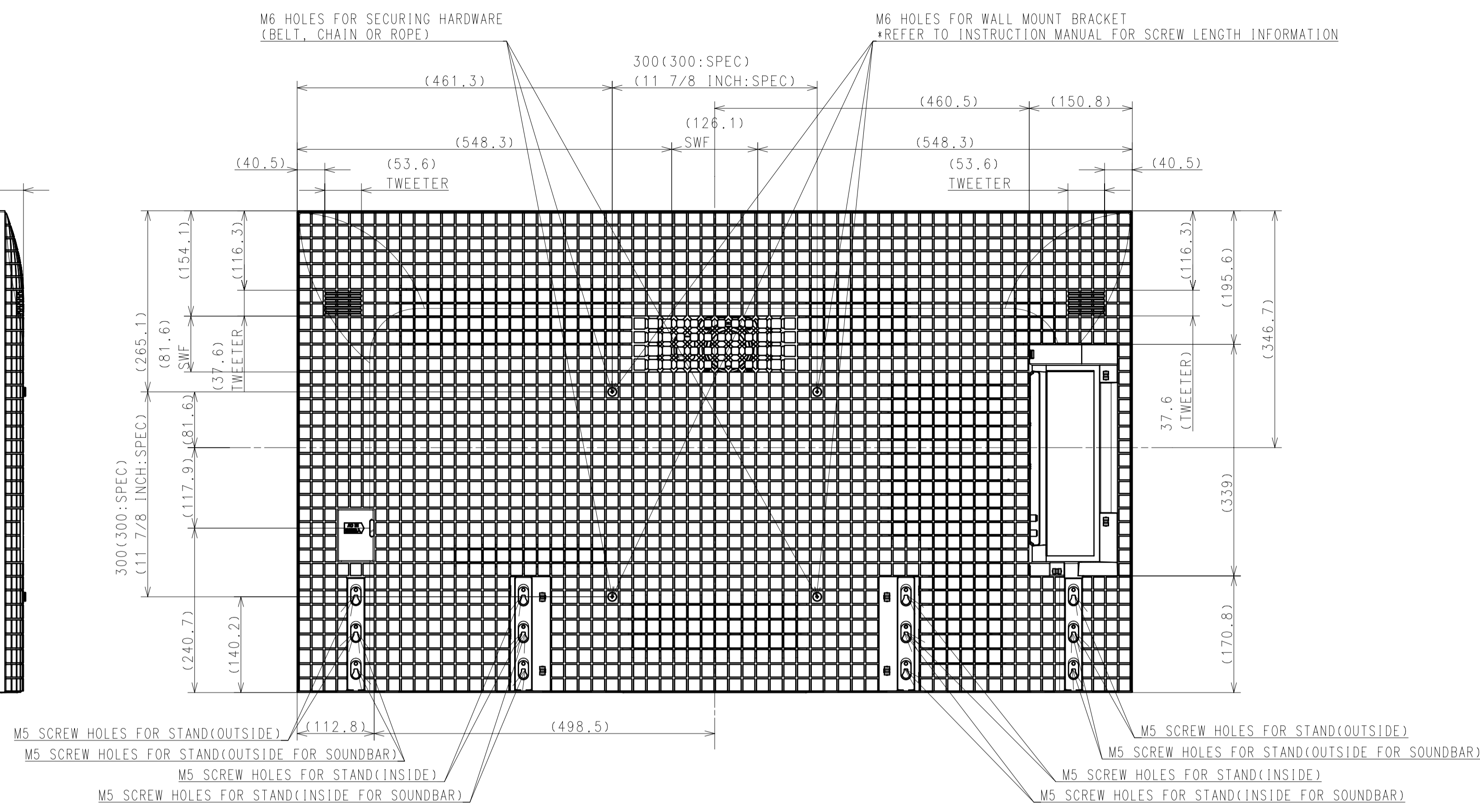
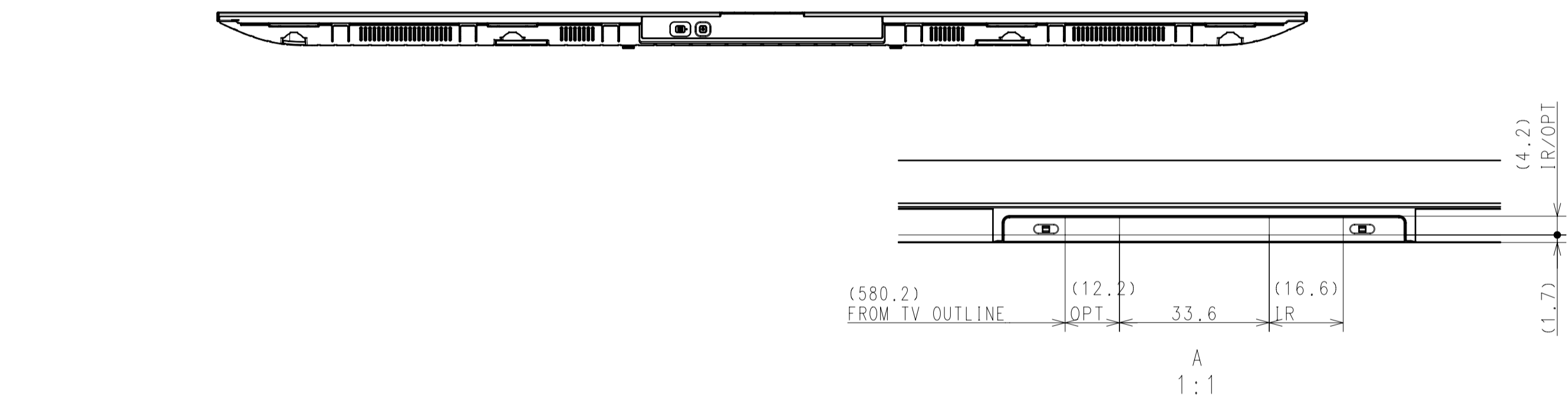
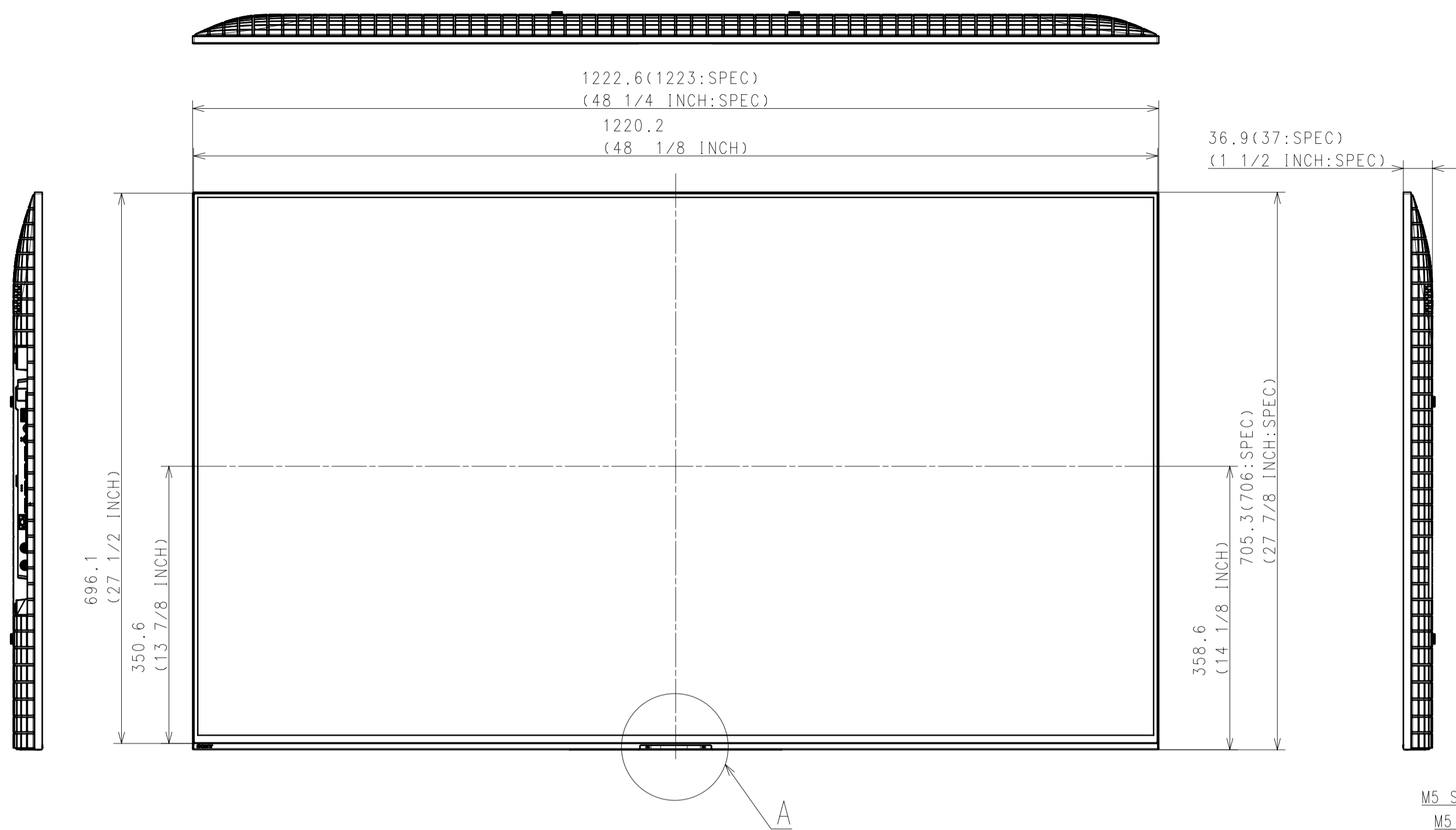


50.8
(2 INCH)

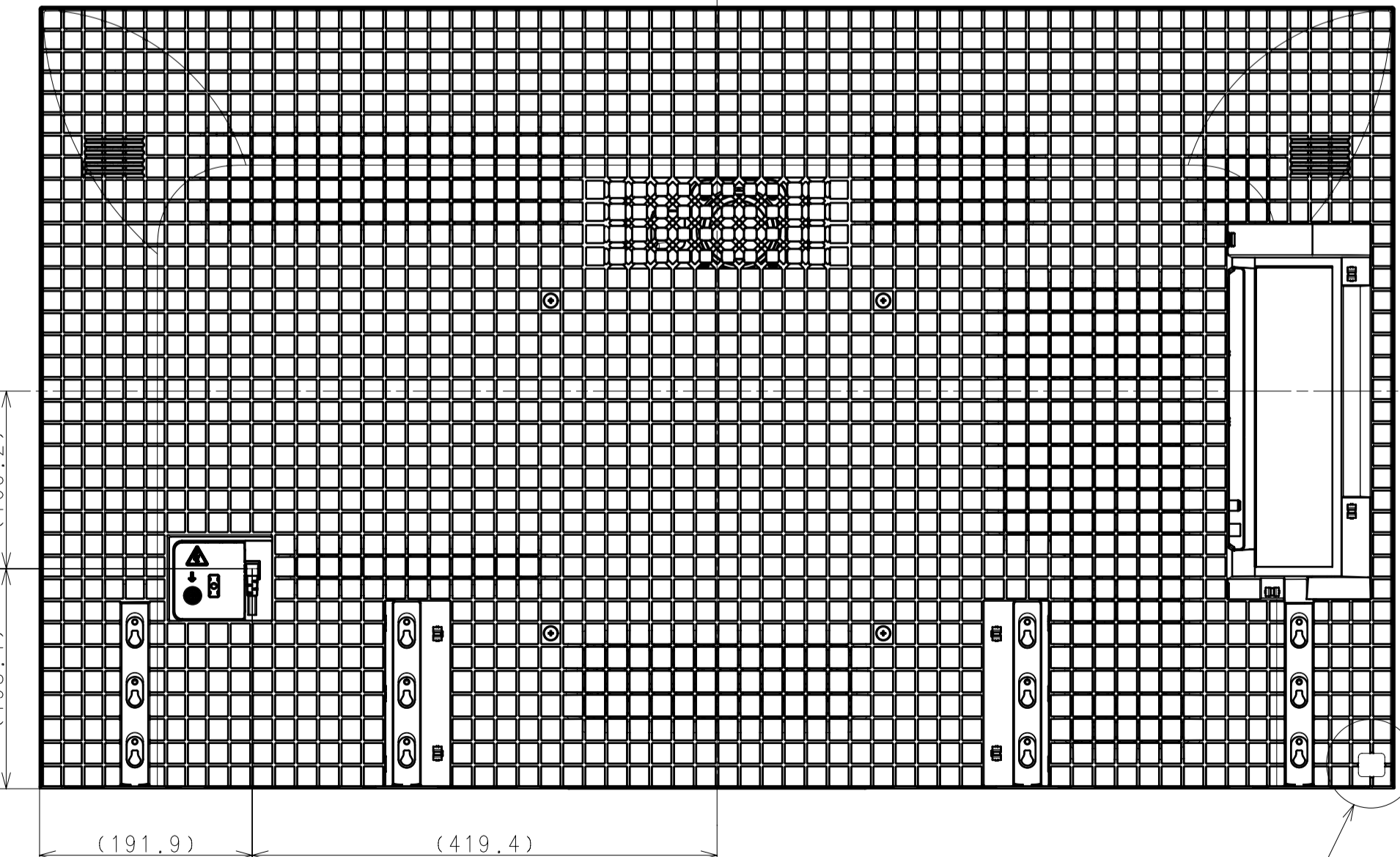


DESCRIPTION 1	LEGAL OWNER	SCALE
55 (XR80) EXTERIOR VIEW	Sony Corporation	1:5
DESCRIPTION 2	PART NO.	SHEET/PAGES
55 (XR80) EXTERIOR VIEW		3 / 8

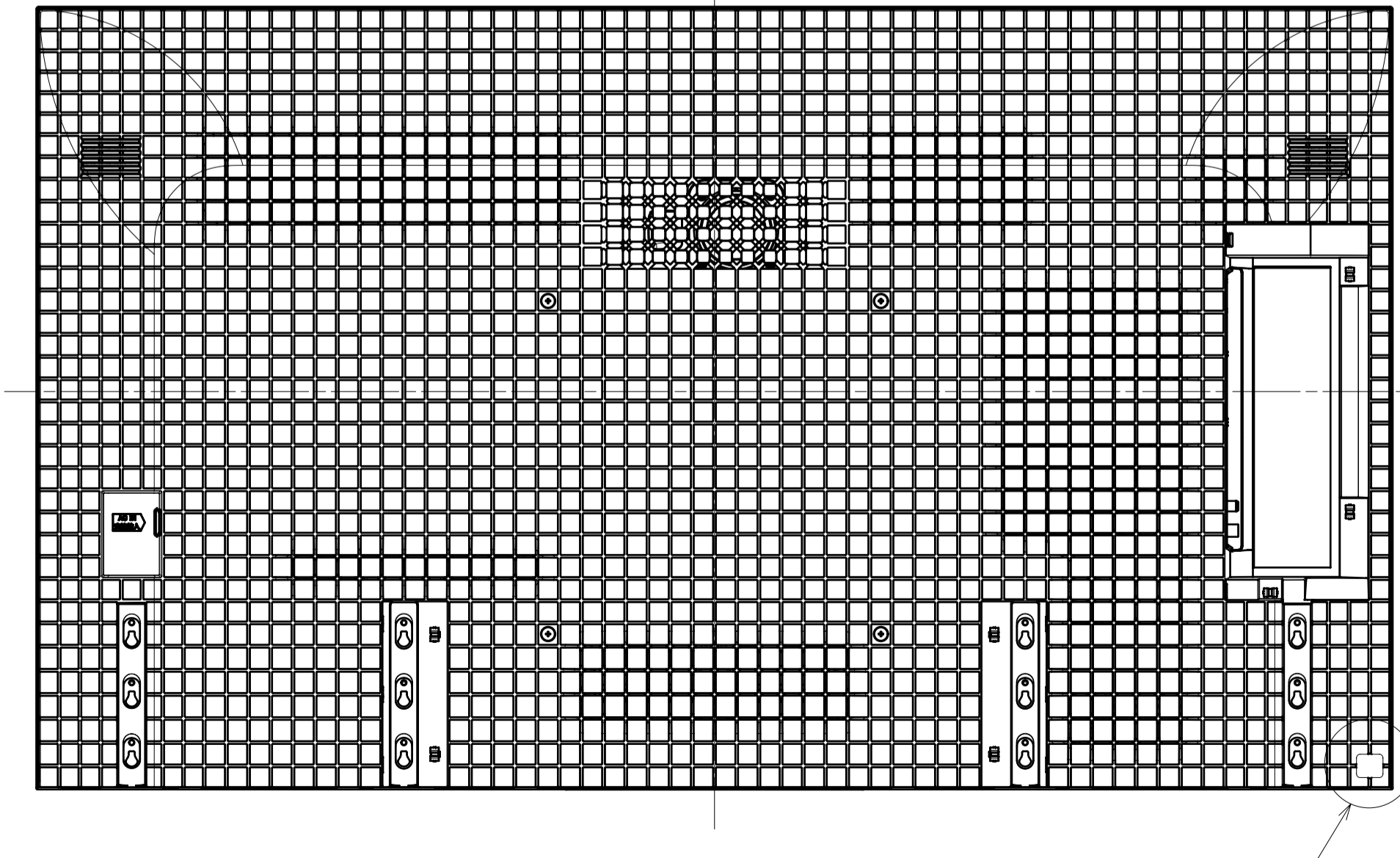
WITHOUT STAND



FOR EUROPE



FOR JAPAN/ LATIN AMERICA/ INDIA



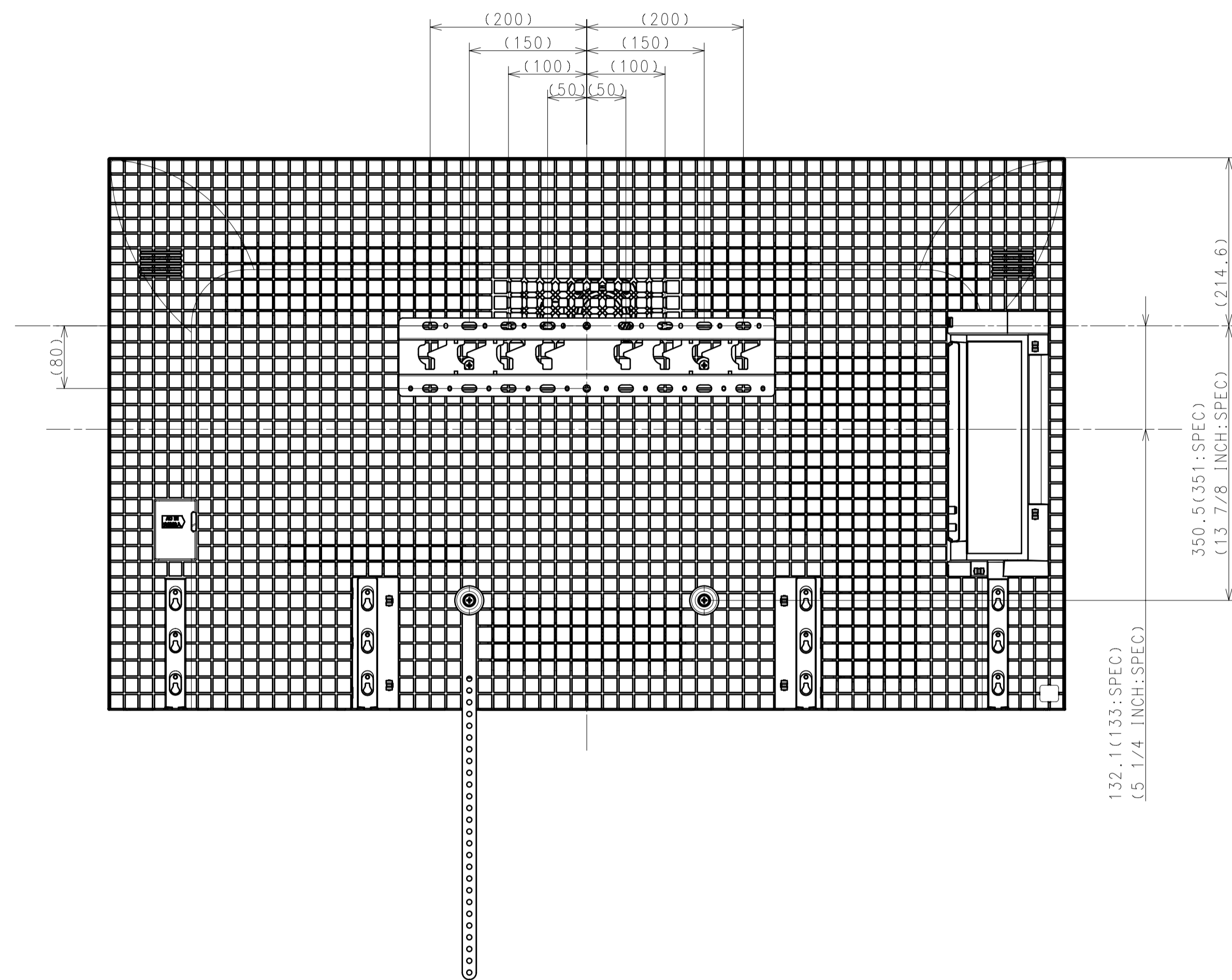
FOR GENERAL AREA/ CHINA/ NORTH AMERICA

DESCRIPTION 1	55 (XR80) EXTERIOR VIEW	LEGAL OWNER	Sony Corporation	SCALE	1:5
DESCRIPTION 2	55 (XR80) EXTERIOR VIEW	PART NO.		SHEET/PAGES	4 / 8

SU-WL450

STANDARD

SLIM



99 (99:SPEC)
(4 INCH:SPEC)

57.2 (58:SPEC)
(2 3/8 INCH:SPEC)

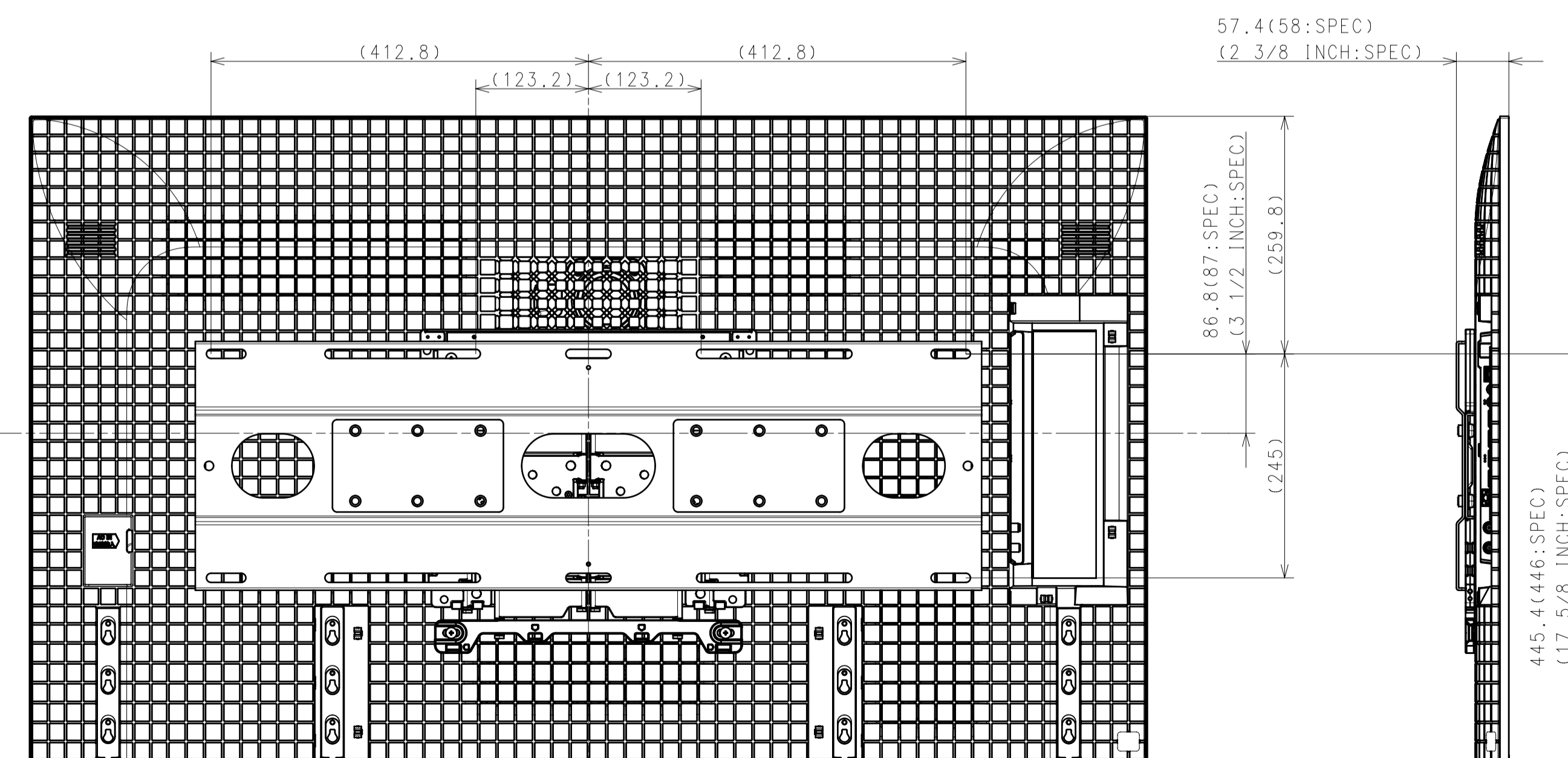
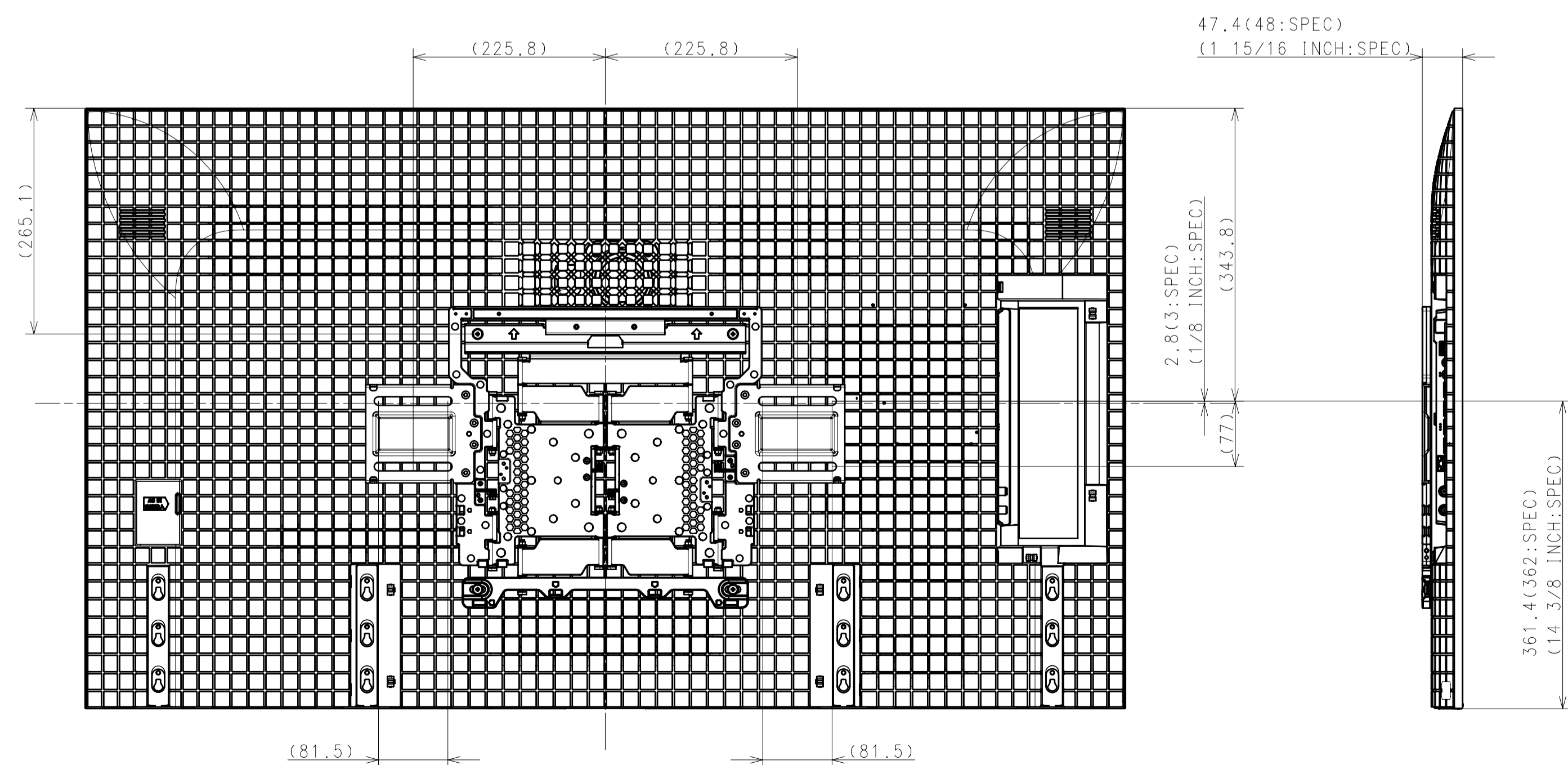
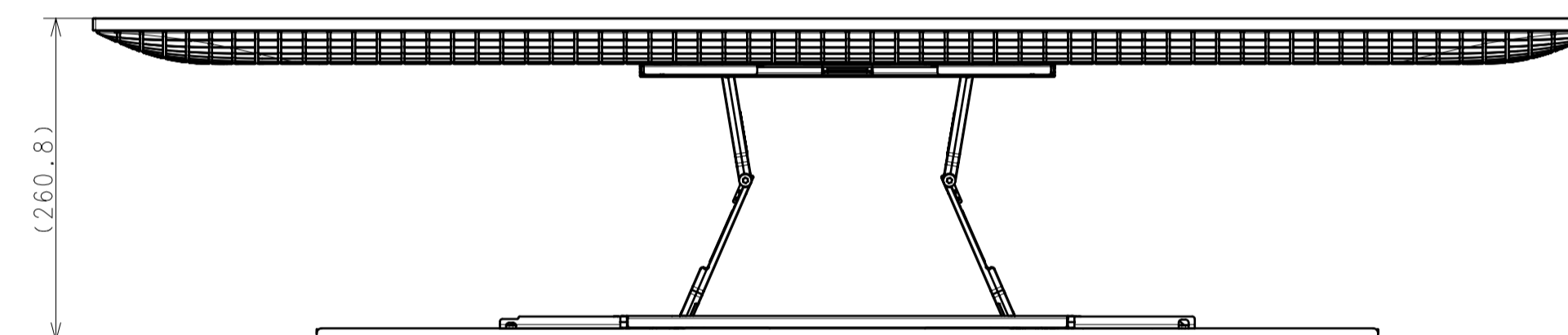
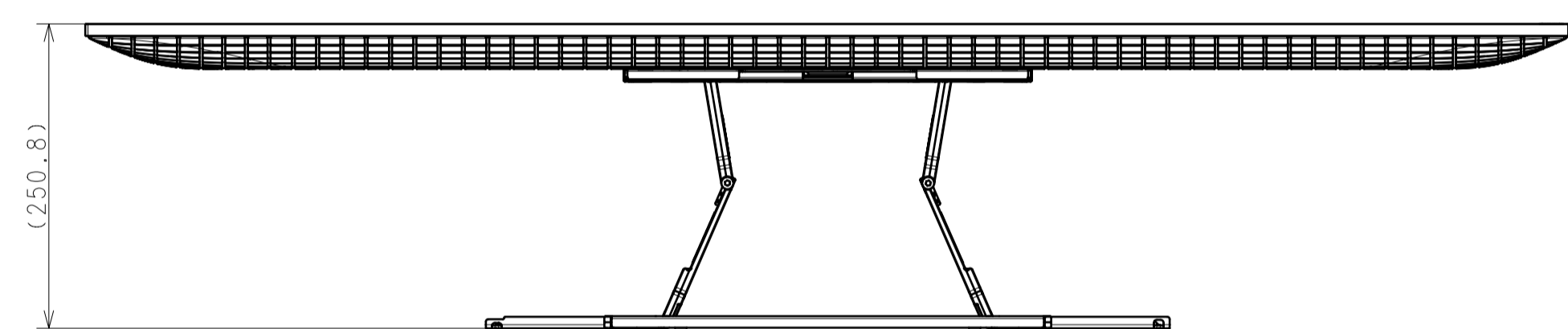
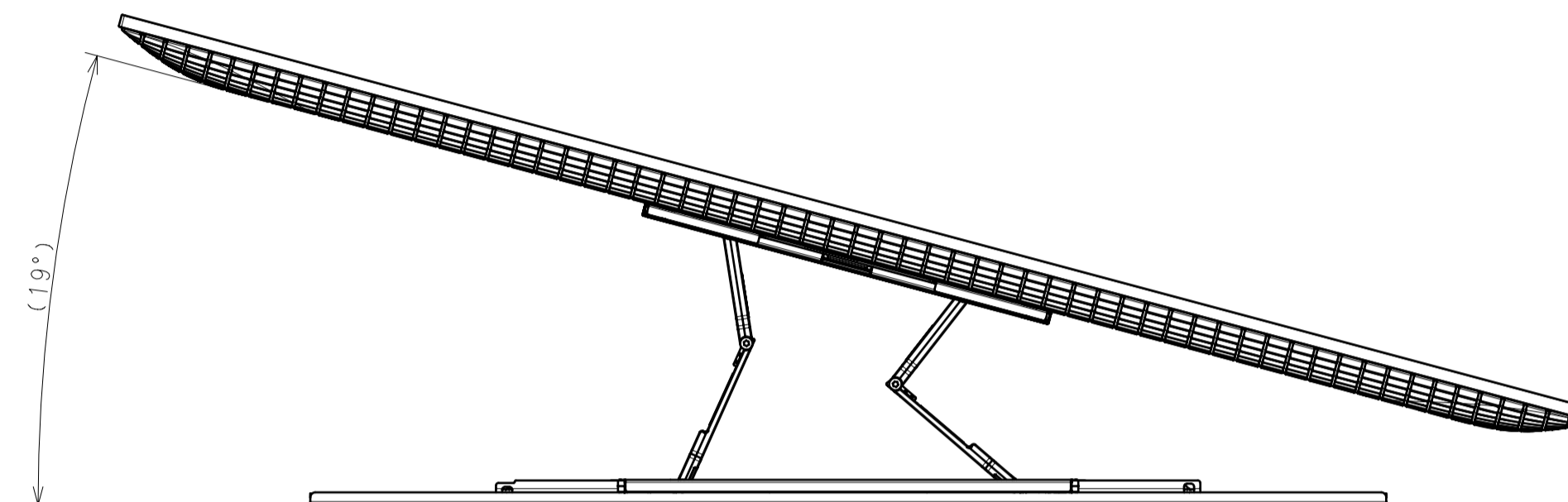
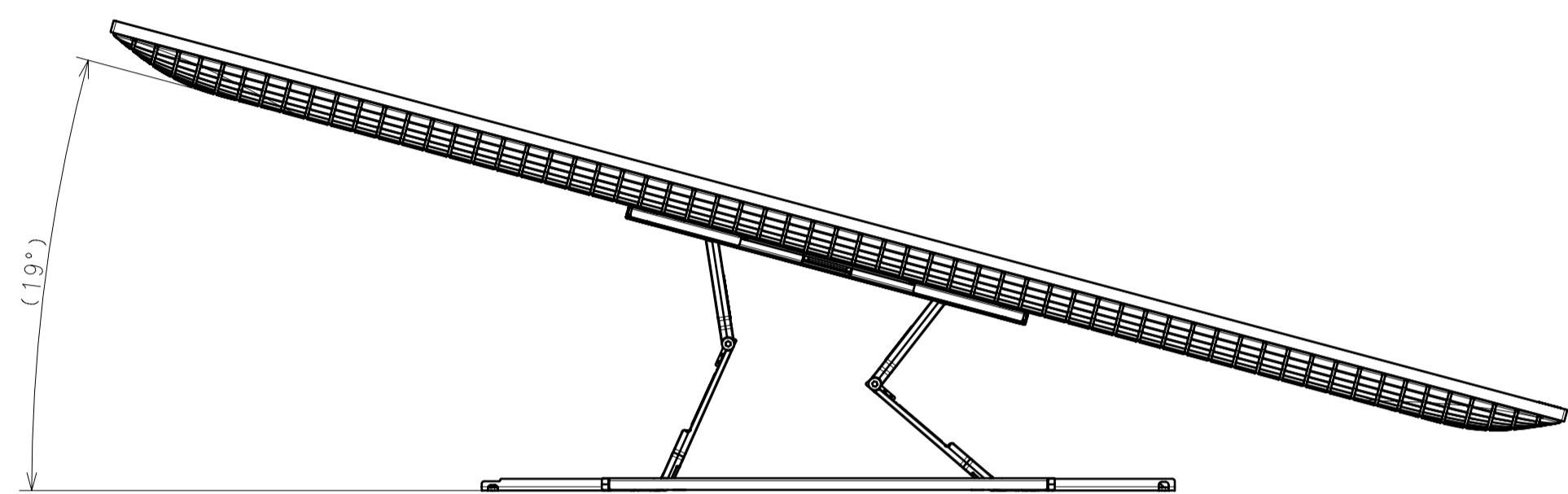
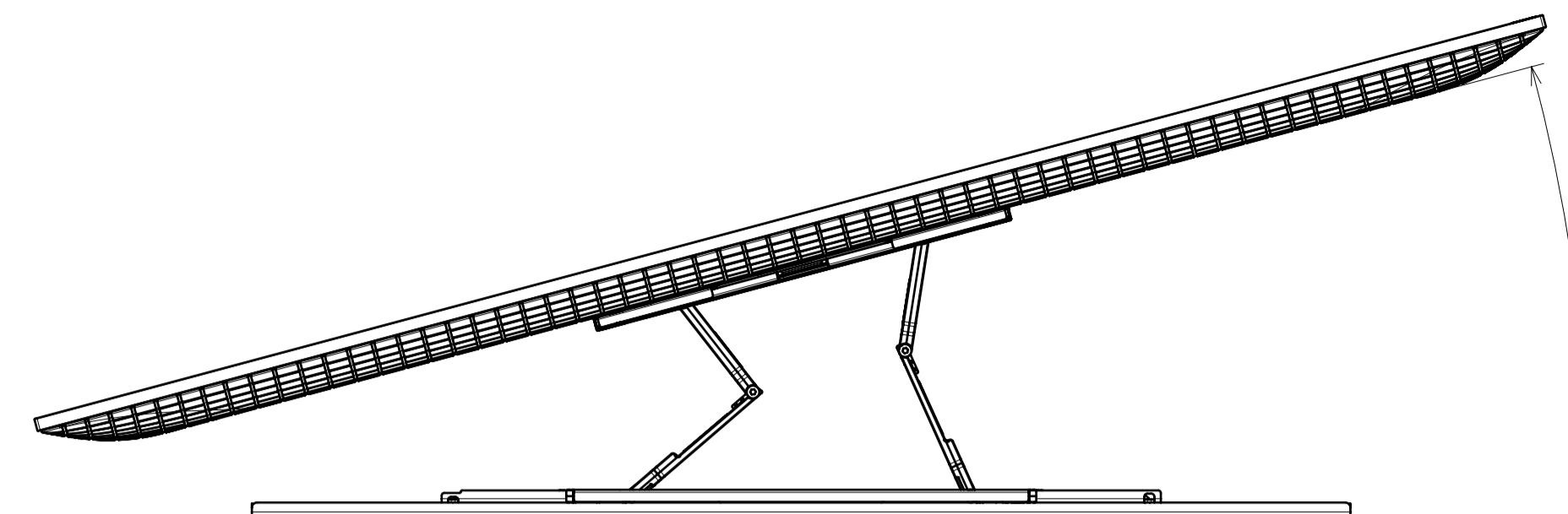
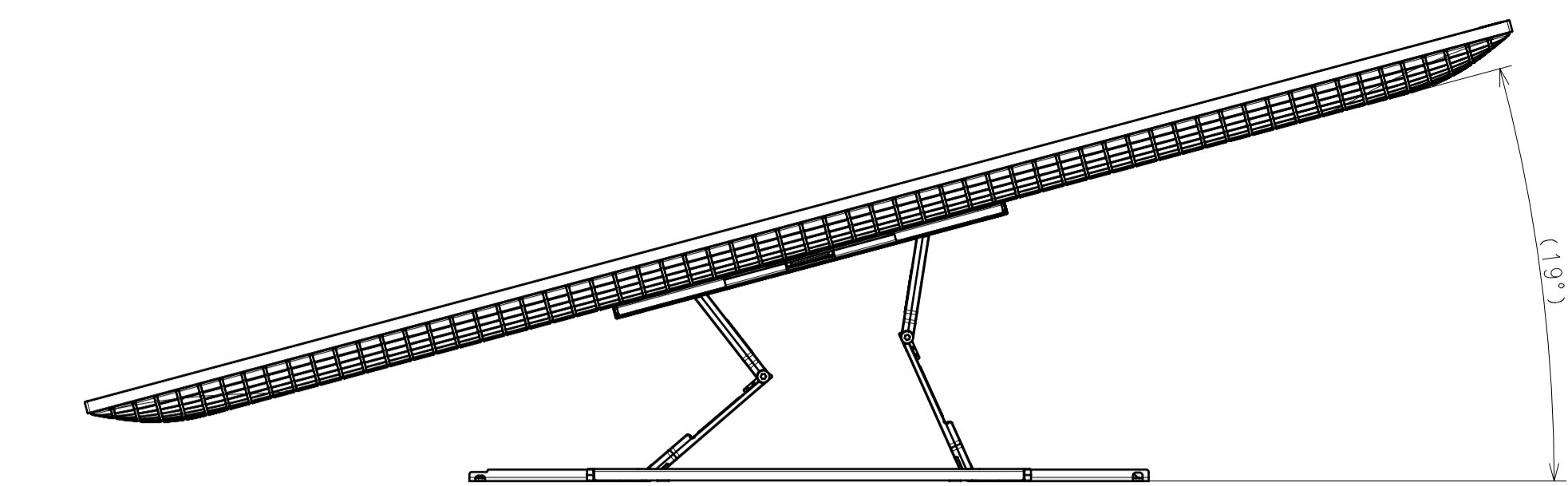
490.7 (491:SPEC)
(19.378 INCH:SPEC)

490.7 (491:SPEC)
(19.378 INCH:SPEC)

DESCRIPTION 1	55 (XR80) EXTERIOR VIEW	LEGAL OWNER	Sony Corporation	SCALE	1:5
DESCRIPTION 2	55 (XR80) EXTERIOR VIEW	PART NO.		SHEET/PAGES	5 / 8

SU-WL850

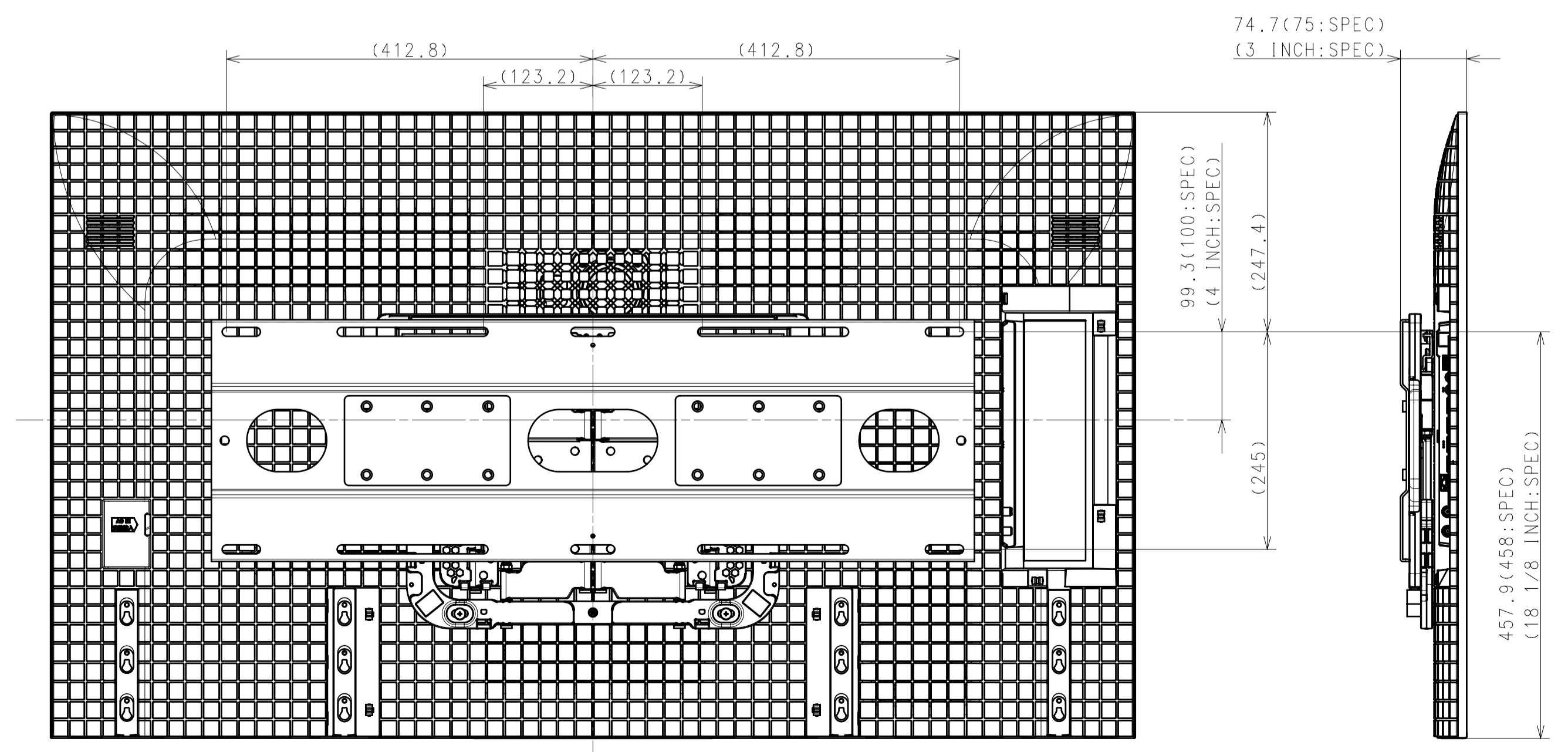
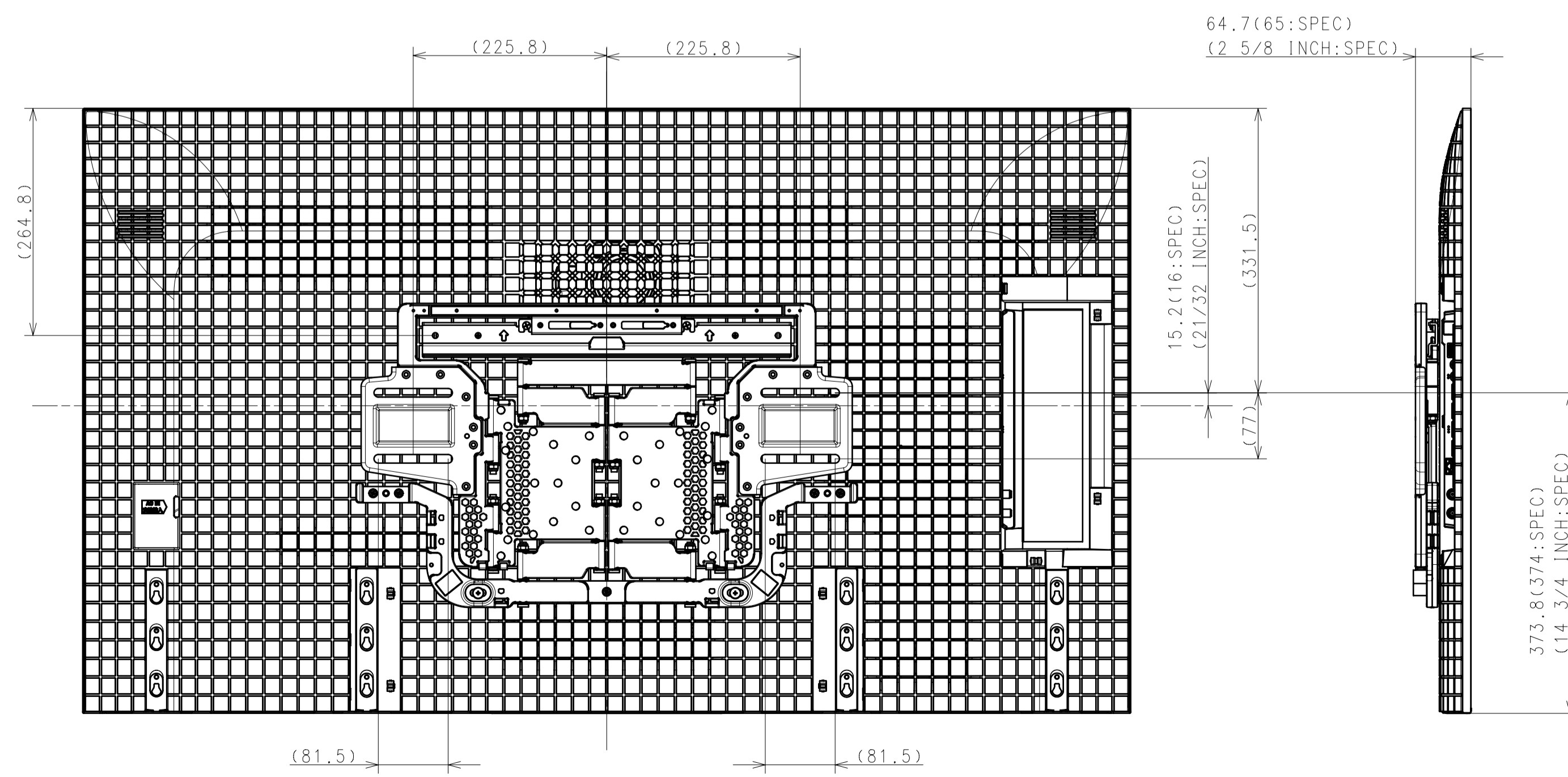
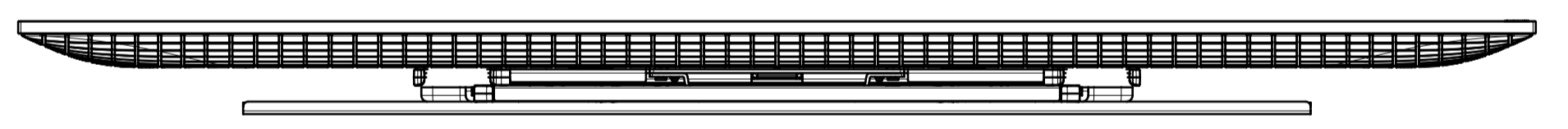
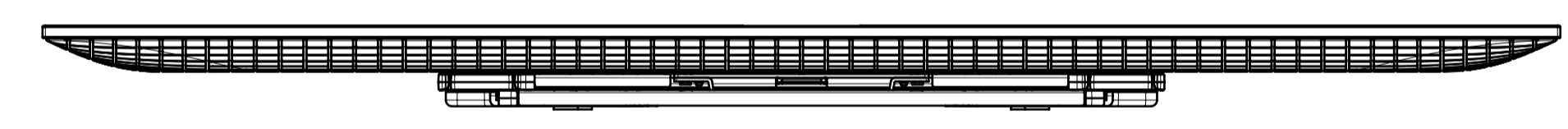
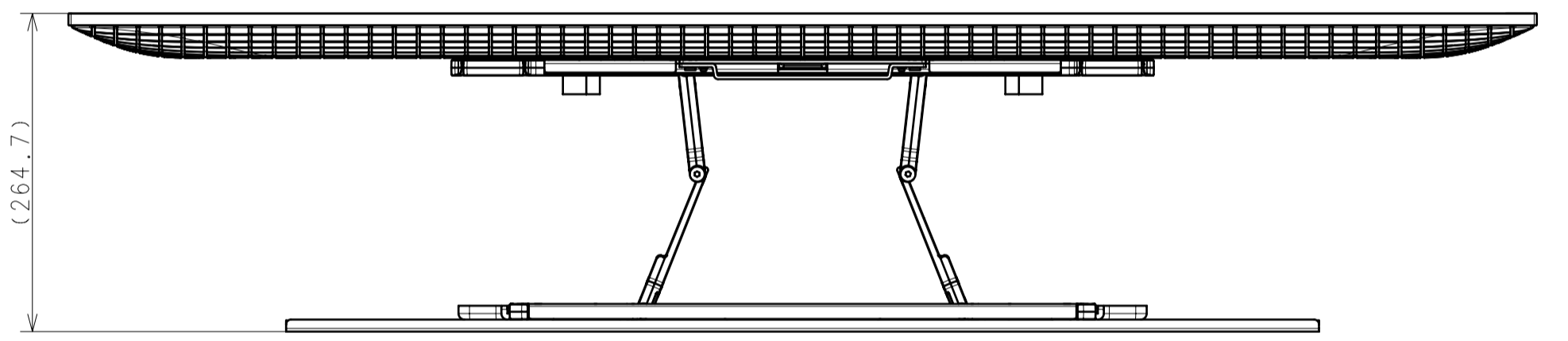
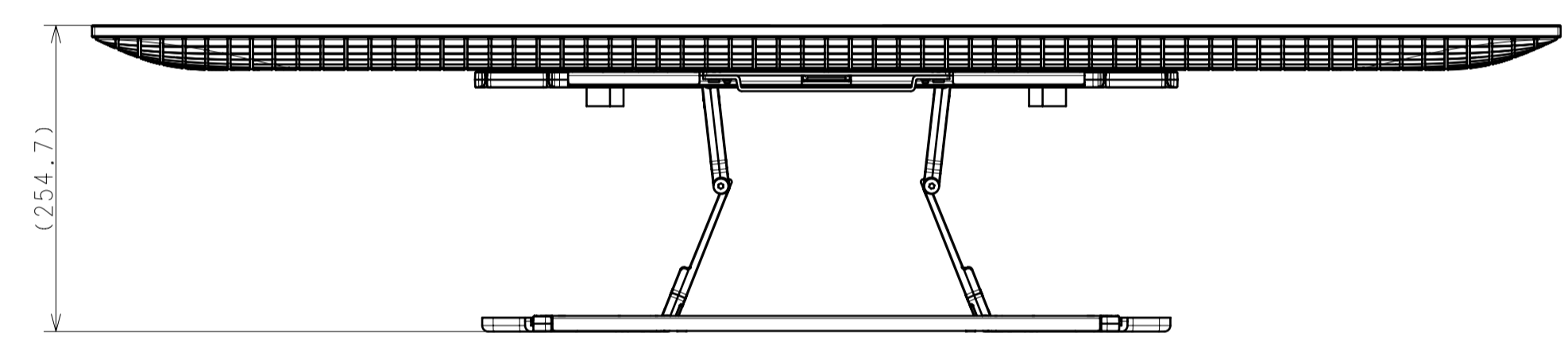
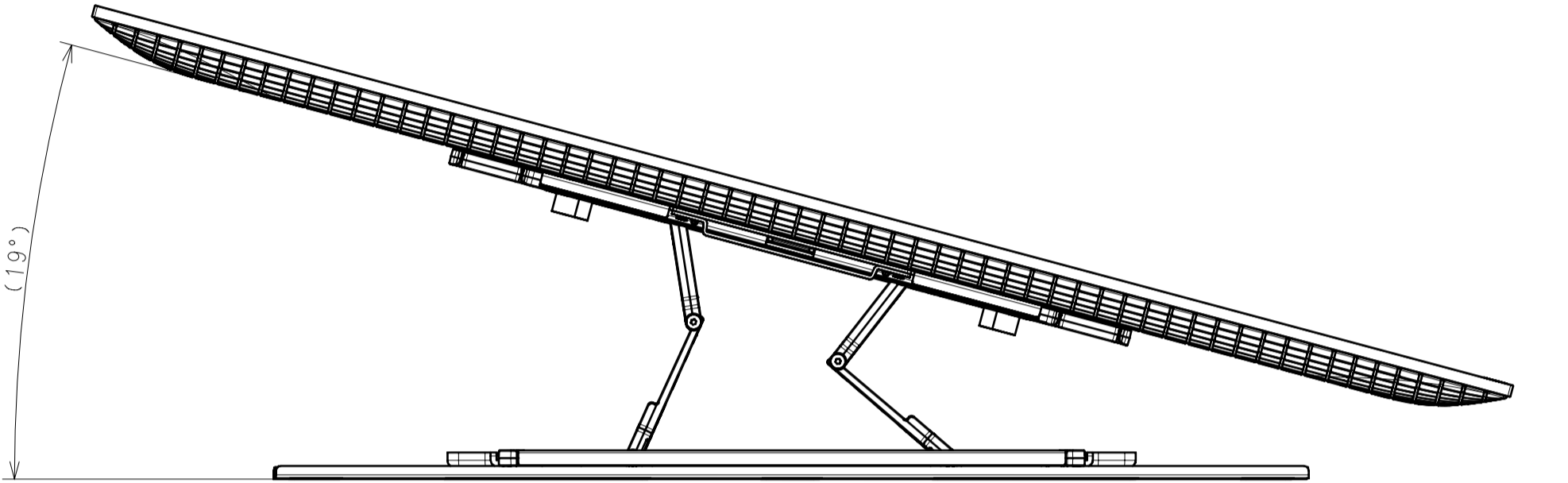
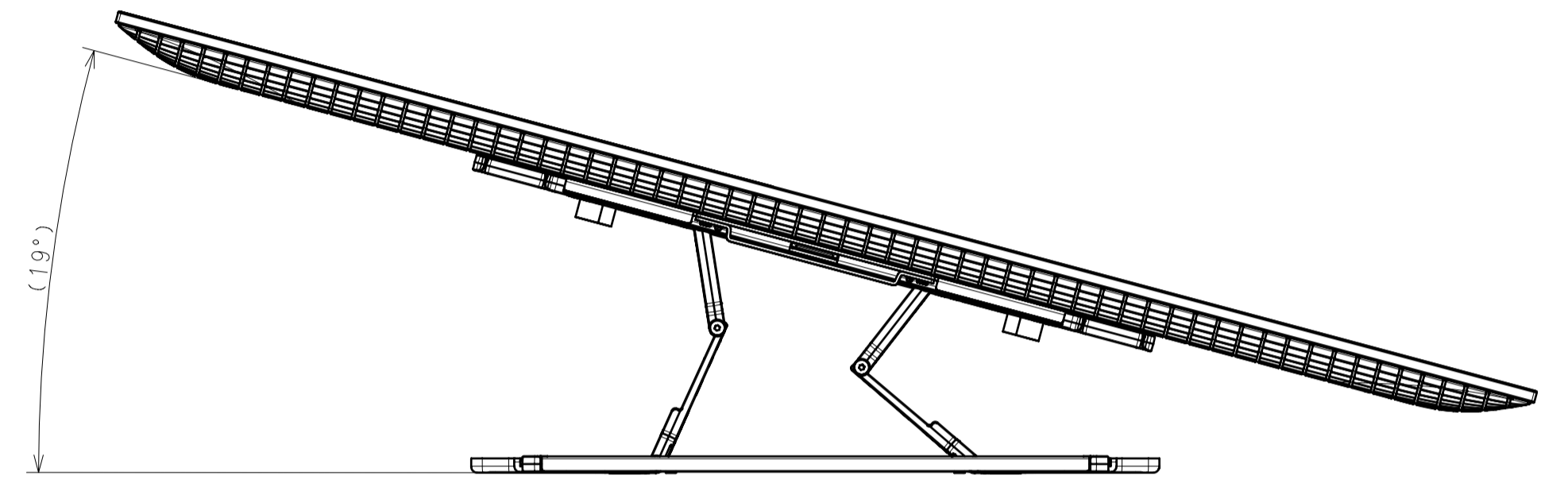
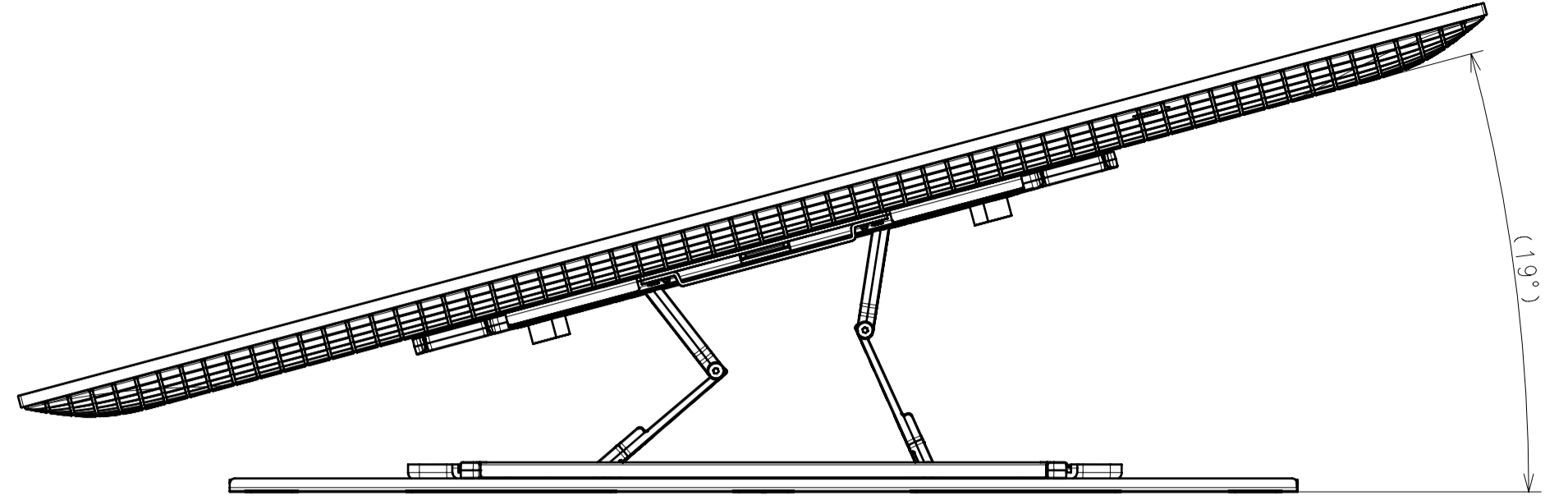
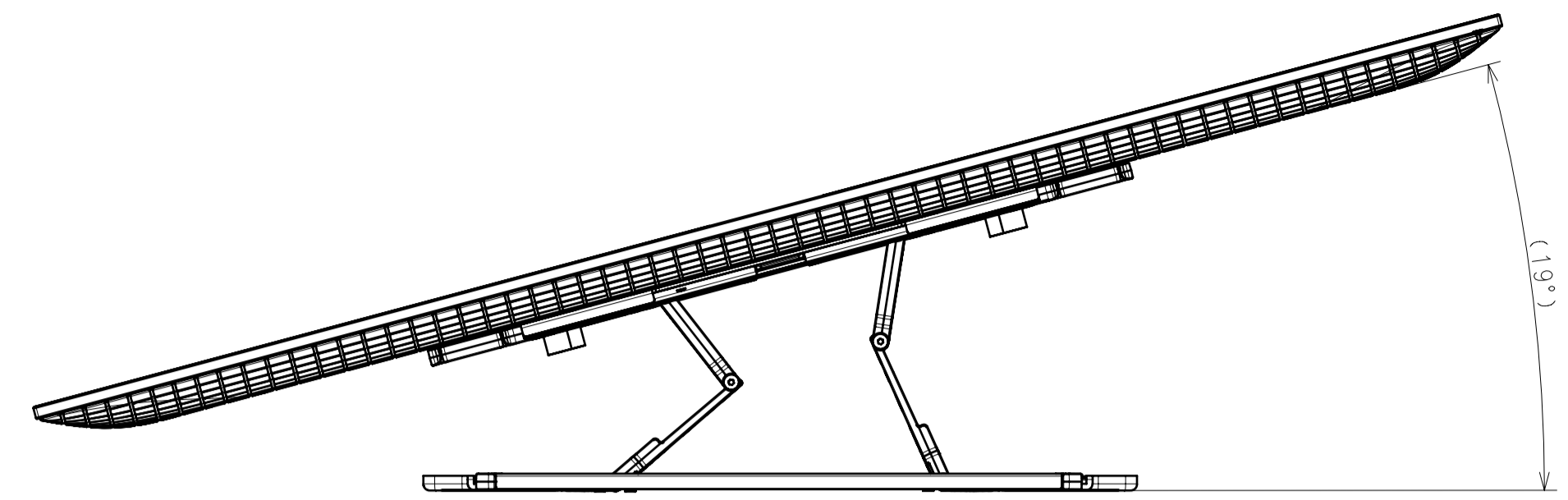
SU-WL855 WITH LATERAL SHAFT BRACKET



DESCRIPTION 1	55 (XR80) EXTERIOR VIEW	LEGAL OWNER	Sony Corporation	SCALE	1:5
DESCRIPTION 2	55 (XR80) EXTERIOR VIEW	PART NO.		SHEET/PAGES	6 / 8

SU-WL900 (STANDARD)

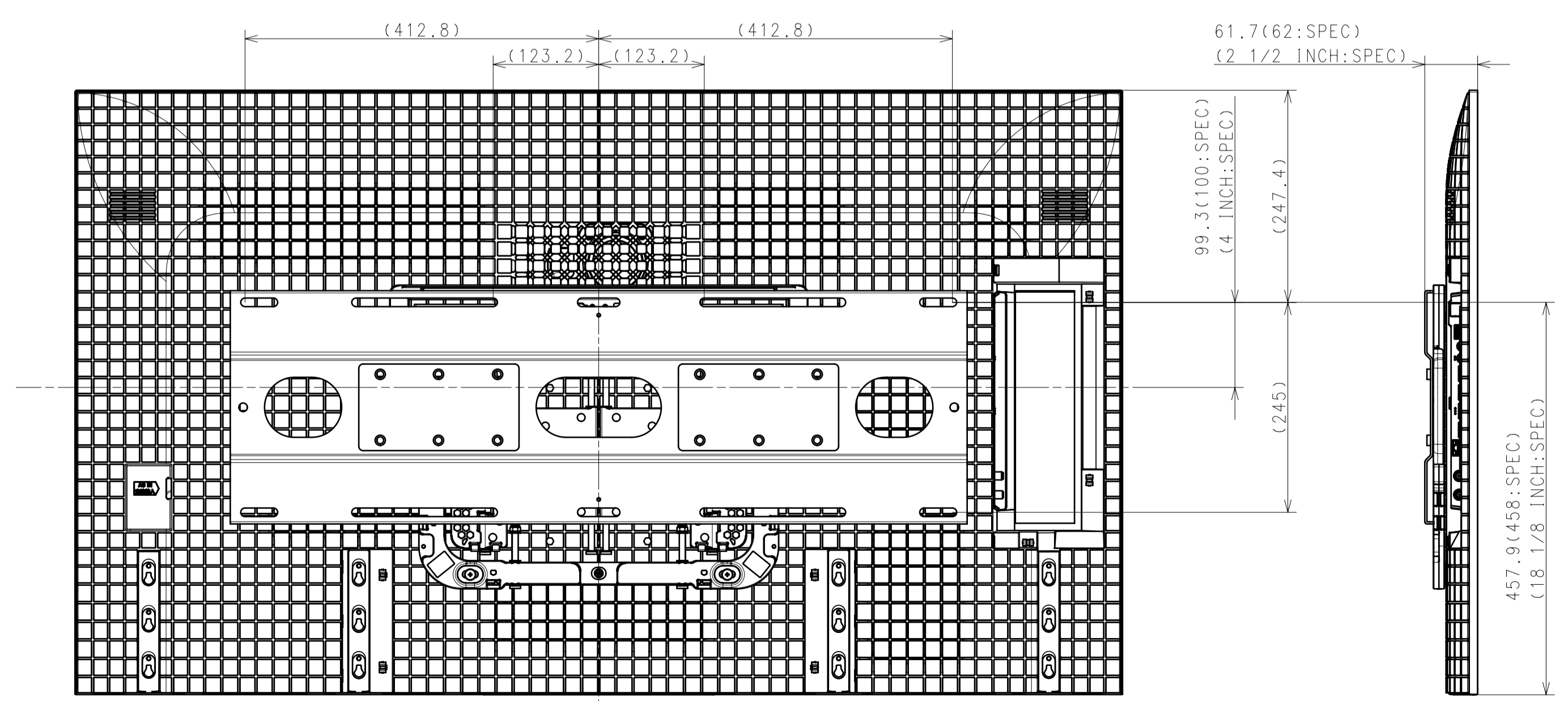
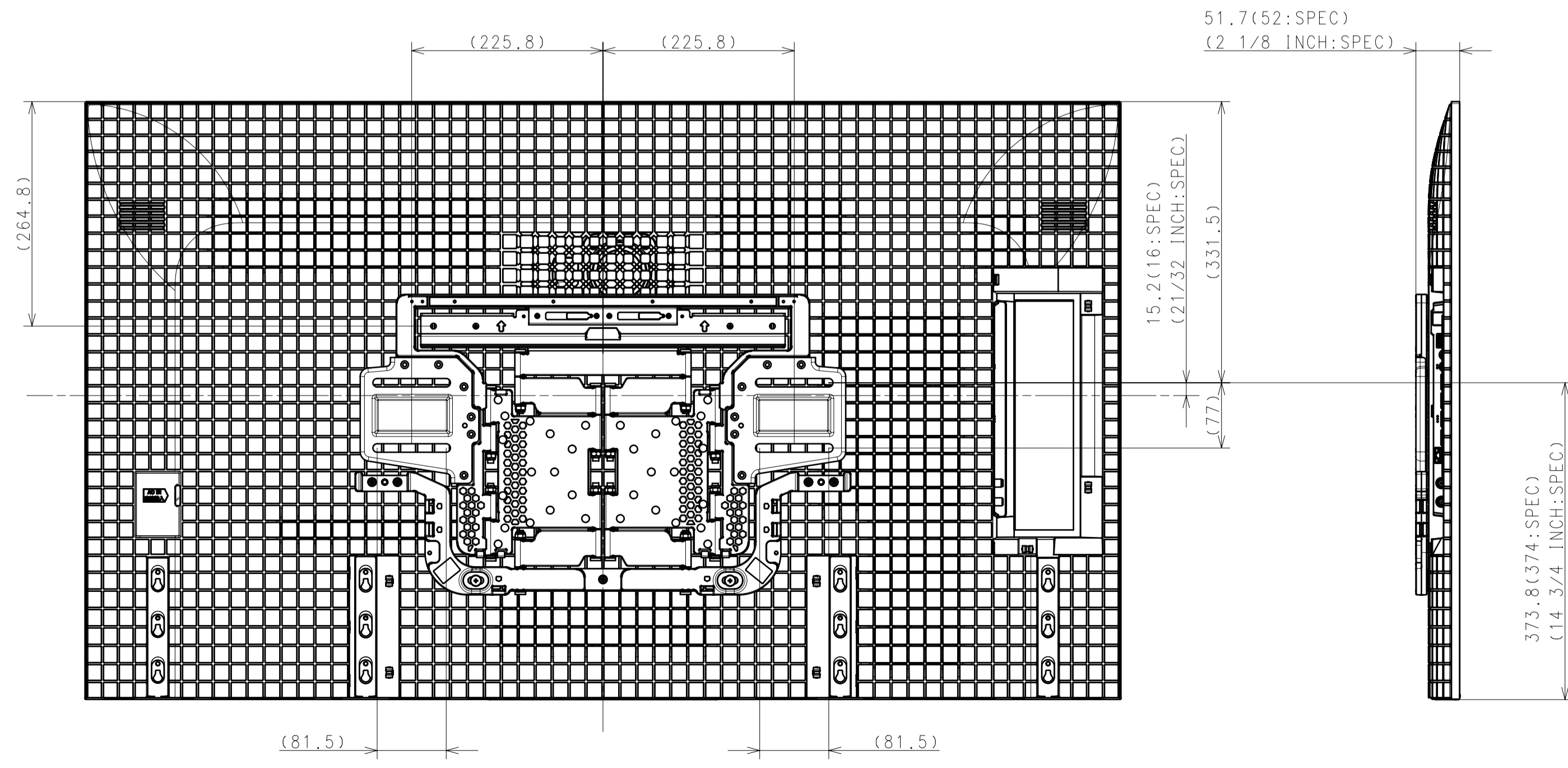
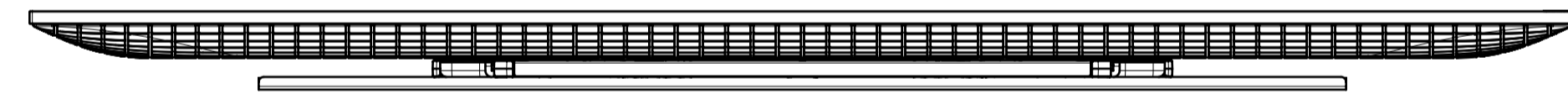
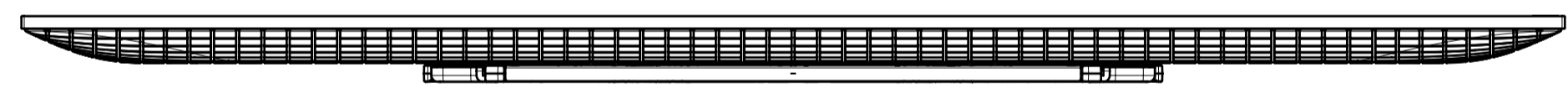
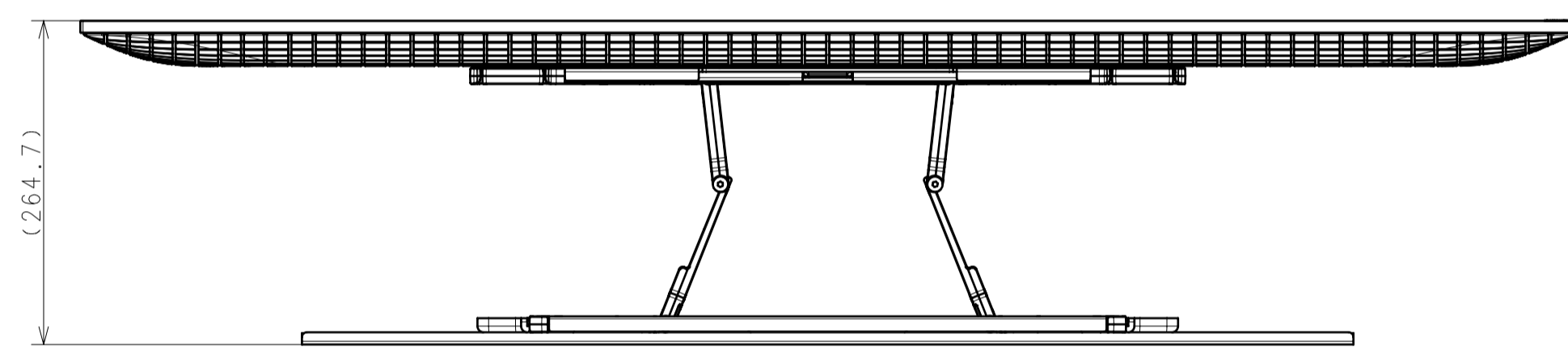
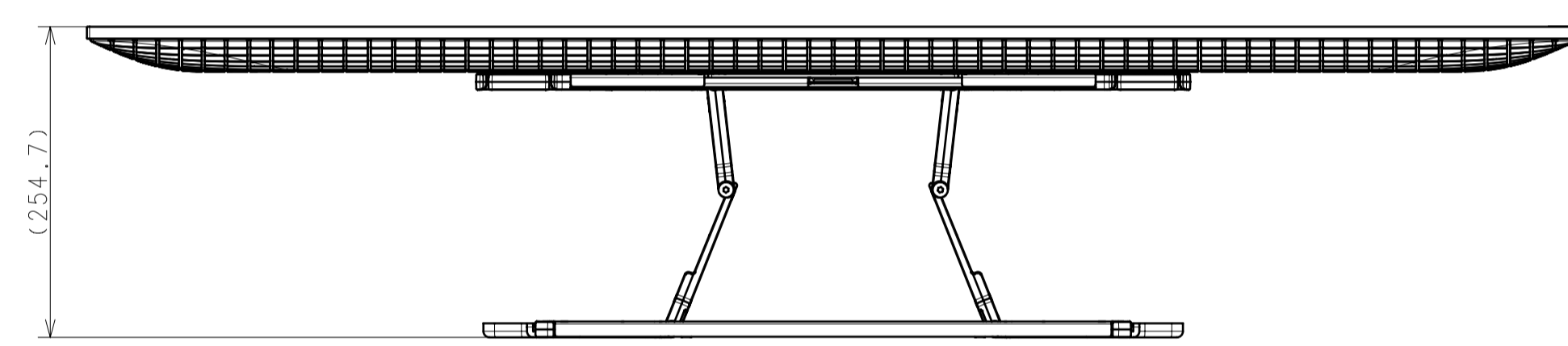
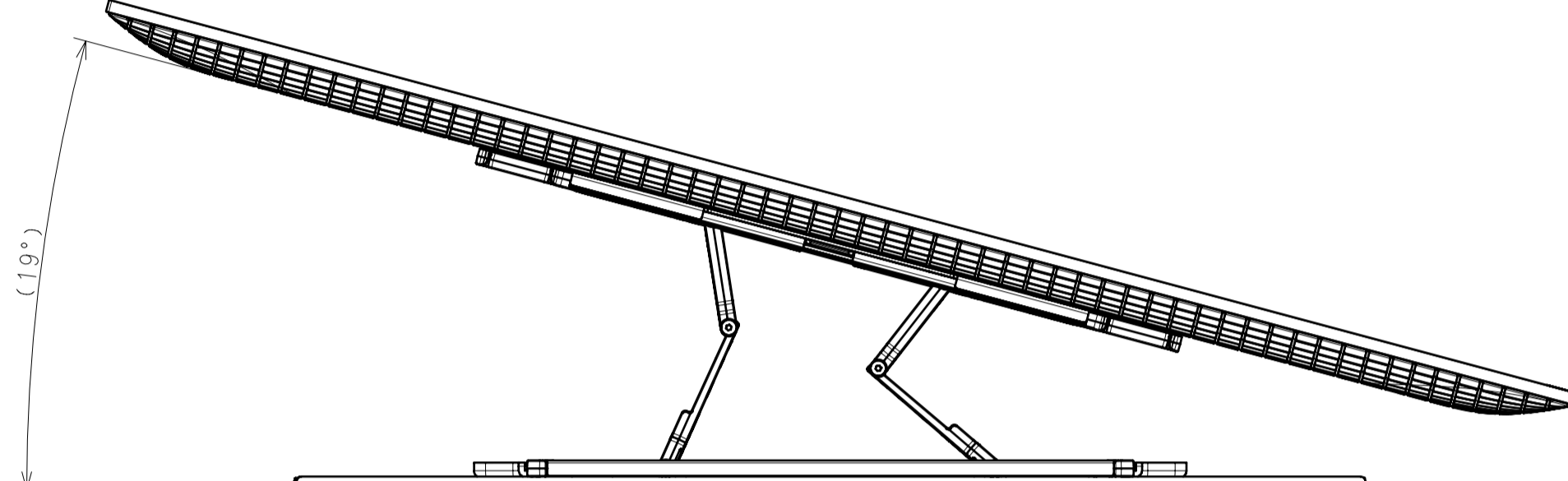
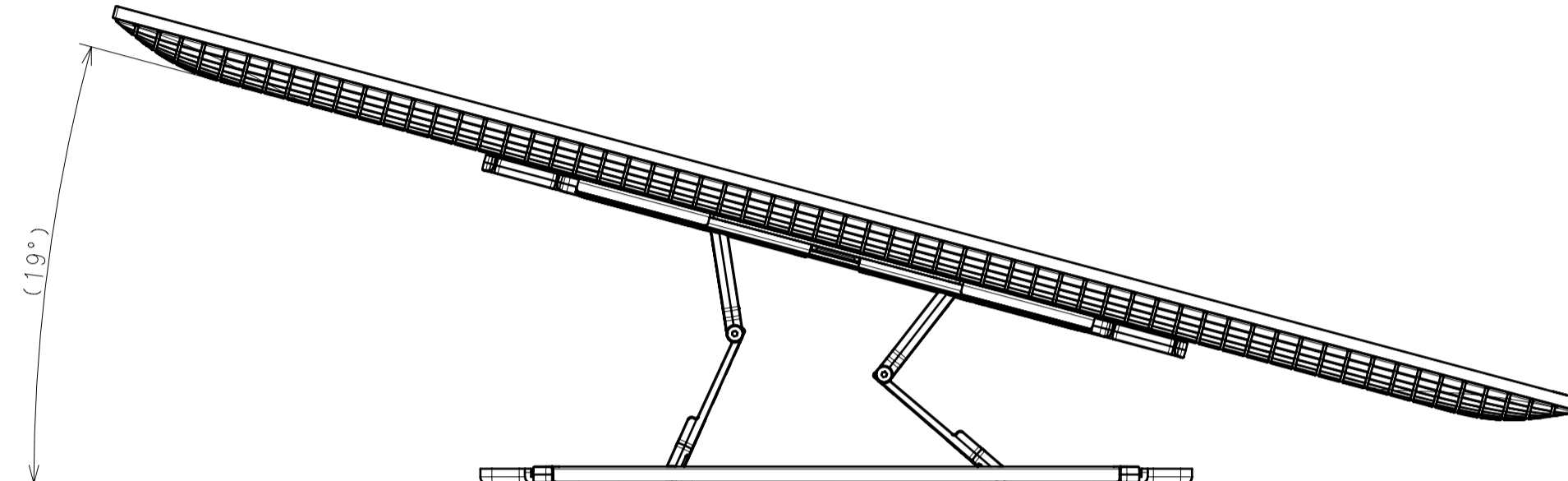
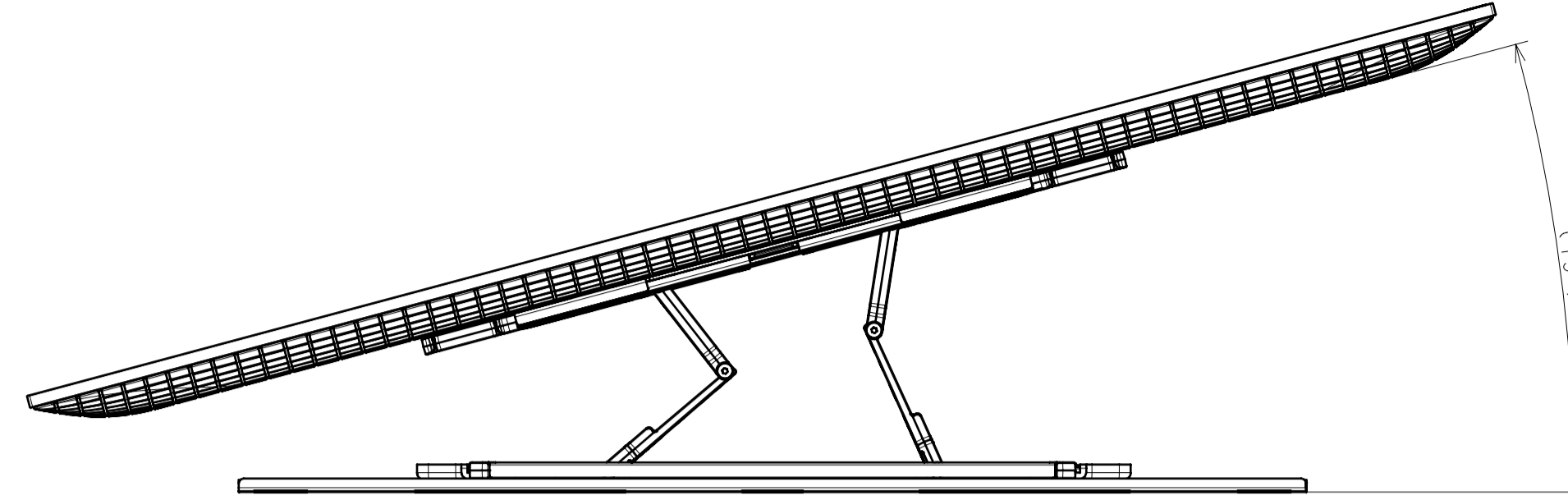
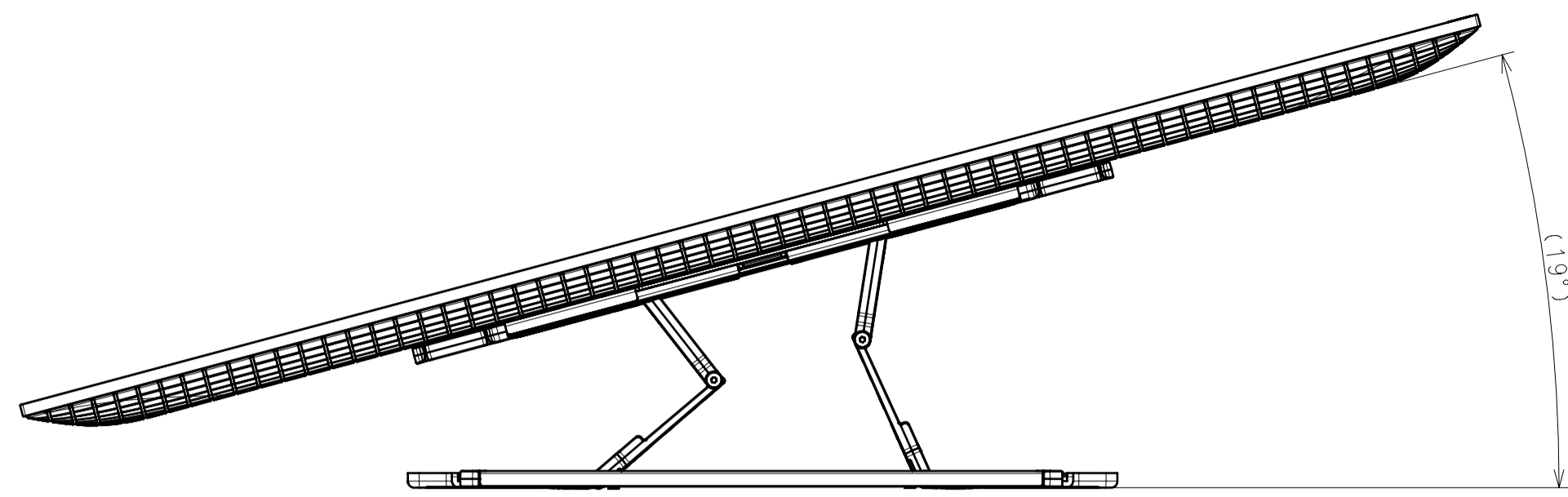
SU-WL905 (STANDARD) WITH LATERAL SHAFT BRACKET



DESCRIPTION 55 (XR80) EXTERIOR VIEW	LEGAL OWNER Sony Corporation	SCALE 1:5
DESCRIPTION 55 (XR80) EXTERIOR VIEW	PART NO.	SHEET/PAGES 8 / 8

SU-WL900 (SLIM)

SU-WL905 (SLIM) WITH LATERAL SHAFT BRACKET



DESCRIPTION 1	55 (XR80) EXTERIOR VIEW	LEGAL OWNER	Sony Corporation	SCALE	1:5
DESCRIPTION 2	55 (XR80) EXTERIOR VIEW	PART NO.		SHEET/PAGES	7 / 8