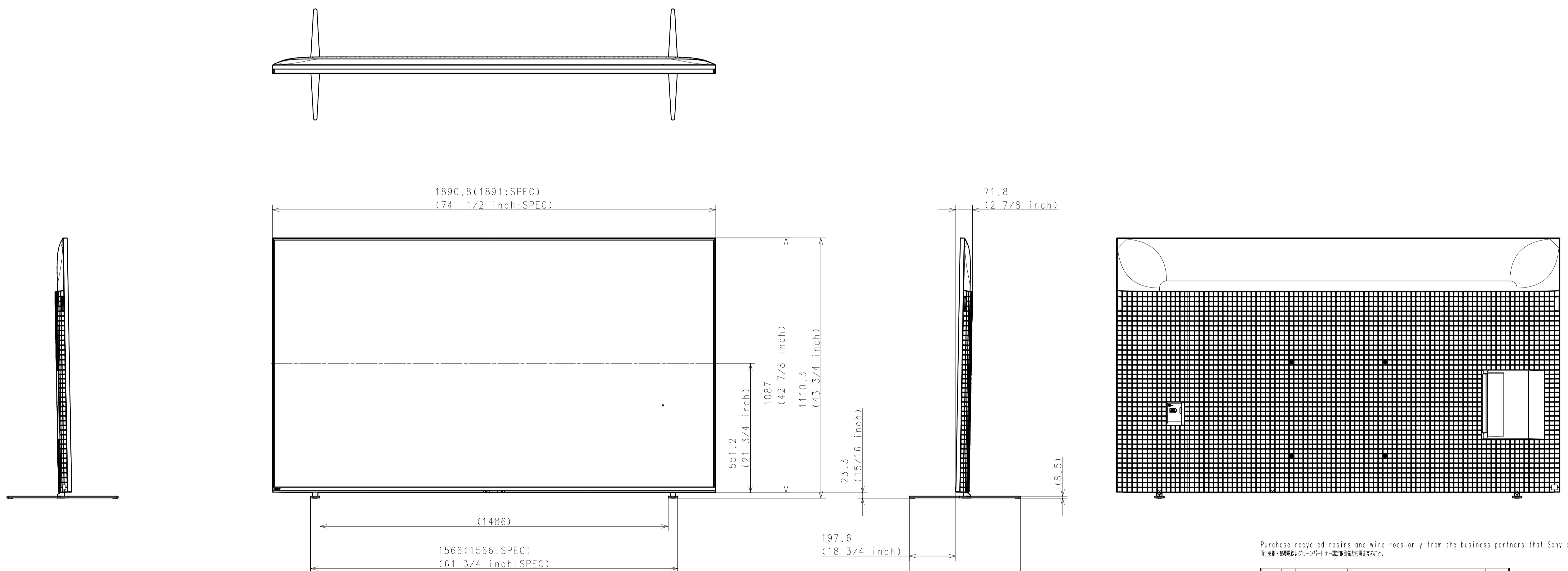


Area	JAPAN	NORTH AMERICA	NORTH AMERICA DERIVATIVE	EUROPE	GENERAL AREA	CHINA
Model Name	K-85XR70	K-85XR70	K-85XR70C	K-85XR70	K-85XR70	K-85XR70
SV No.	SV-42092	SV-42007	SV-42101	SV-42088	SV-42031	SV-42078
TV only (W x H x D)	189.1 x 108.7 x 5.7 (4.67) cm	1891 x 1087 x 57 (46.7) mm / 74 1/2 x 42 7/8 x 2 1/4 (1 7/8) inch	1891 x 1087 x 57 (46.7) mm / 74 1/2 x 42 7/8 x 2 1/4 (1 7/8) inch	Approx. 189.1 x 108.7 x 5.7 (4.67) cm	Approx. 1891 x 1087 x 57 (46.7) mm	Approx. 1891 x 1087 x 57 (46.7) mm
TV only with camera (W x H x D)	-	-	-	-	-	-
TV with Stand (Outside) (W x H x D)	189.1 x 111.1 x 47.4 cm	1891 x 1111 x 474 mm / 74 1/2 x 43 3/4 x 18 3/4 inch	1891 x 1111 x 474 mm / 74 1/2 x 43 3/4 x 18 3/4 inch	Approx. 189.1 x 111.1 x 47.4 cm	Approx. 1891 x 1111 x 474 mm	Approx. 1891 x 1111 x 474 mm
TV with Stand (Inside) (W x H x D)	189.1 x 111.1 x 47.4 cm	1891 x 1111 x 474 mm / 74 1/2 x 43 3/4 x 18 3/4 inch	1891 x 1111 x 474 mm / 74 1/2 x 43 3/4 x 18 3/4 inch	Approx. 189.1 x 111.1 x 47.4 cm	Approx. 1891 x 1111 x 474 mm	Approx. 1891 x 1111 x 474 mm
TV with Stand (Outside for Soundbar) (W x H x D)	189.1 x 116.5 x 47.4 cm	1891 x 1165 x 474 mm / 74 1/2 x 45 7/8 x 18 3/4 inch	1891 x 1165 x 474 mm / 74 1/2 x 45 7/8 x 18 3/4 inch	Approx. 189.1 x 116.5 x 47.4 cm	Approx. 1891 x 1165 x 474 mm	Approx. 1891 x 1165 x 474 mm
TV with Stand (Inside for Soundbar) (W x H x D)	189.1 x 116.5 x 47.4 cm	1891 x 1165 x 474 mm / 74 1/2 x 45 7/8 x 18 3/4 inch	1891 x 1165 x 474 mm / 74 1/2 x 45 7/8 x 18 3/4 inch	Approx. 189.1 x 116.5 x 47.4 cm	Approx. 1891 x 1165 x 474 mm	Approx. 1891 x 1165 x 474 mm
TV with Stand (Front position style) (W x H x D)	-	-	-	-	-	-
TV with Stand (Back position style) (W x H x D)	-	-	-	-	-	-
TV with Floor Stand (W x H x D)	-	-	-	-	-	-
Stand Width (Outside)	156.6 cm	1566 mm / 61 3/4 inch	1566 mm / 61 3/4 inch	Approx. 156.6 cm	Approx. 1566 mm	Approx. 1566 mm
Stand Width (Inside)	60.9 cm	609 mm / 24 inch	609 mm / 24 inch	Approx. 60.9 cm	Approx. 609 mm	Approx. 609 mm
Stand Width (Outside for Soundbar)	△ 156.6 cm	△ 1566 mm / 61 3/4 inch	△ 1566 mm / 61 3/4 inch	△ Approx. 156.6 cm	△ Approx. 1566 mm	△ Approx. 1566 mm
Stand Width (Inside for Soundbar)	60.9 cm	609 mm / 24 inch	609 mm / 24 inch	Approx. 60.9 cm	Approx. 609 mm	Approx. 609 mm
Stand Width (Front position style)	-	-	-	-	-	-
Stand Width (Back position style)	-	-	-	-	-	-
Floor Stand Width	-	-	-	-	-	-
VESA Hole Pitch	40.0 x 40.0 cm	400 x 400 mm / 15 3/4 x 15 3/4 inch	400 x 400 mm / 15 3/4 x 15 3/4 inch	40.0 x 40.0 cm	400 x 400 mm	400 x 400 mm
TV Only	48.6 kg	48.6 kg / 107.1 lb	48.6 kg / 107.1 lb	Approx. 48.6 kg	Approx. 48.6 kg	Approx. 48.6 kg
TV with Stand (Outside)	50.7 kg	50.7 kg / 111.7 lb	50.7 kg / 111.7 lb	Approx. 50.7 kg	Approx. 50.7 kg	Approx. 50.7 kg
TV with Stand (Inside)	50.7 kg	50.7 kg / 111.7 lb	50.7 kg / 111.7 lb	Approx. 50.7 kg	Approx. 50.7 kg	Approx. 50.7 kg
TV with Stand (Outside for Soundbar)	50.7 kg	50.7 kg / 111.7 lb	50.7 kg / 111.7 lb	Approx. 50.7 kg	Approx. 50.7 kg	Approx. 50.7 kg
TV with Stand (Inside for Soundbar)	50.7 kg	50.7 kg / 111.7 lb	50.7 kg / 111.7 lb	Approx. 50.7 kg	Approx. 50.7 kg	Approx. 50.7 kg
TV with Stand (Front/Back position style)	-	-	-	-	-	-
TV with Floor Stand	-	-	-	-	-	-
Floor Stand weight (Supply)	-	-	-	-	-	-
W-M't Br. Weight (Supply)	-	-	-	-	-	-
Remarks	4way	4way	4way	4way	4way	4way

TV with Stand (Outside)



Purchase recycled resins and wire rods only from the business partners that Sony approves as Green Partners.
再生樹脂・鉄線棒のみグリーンパートナー認定事業者から購入してください。

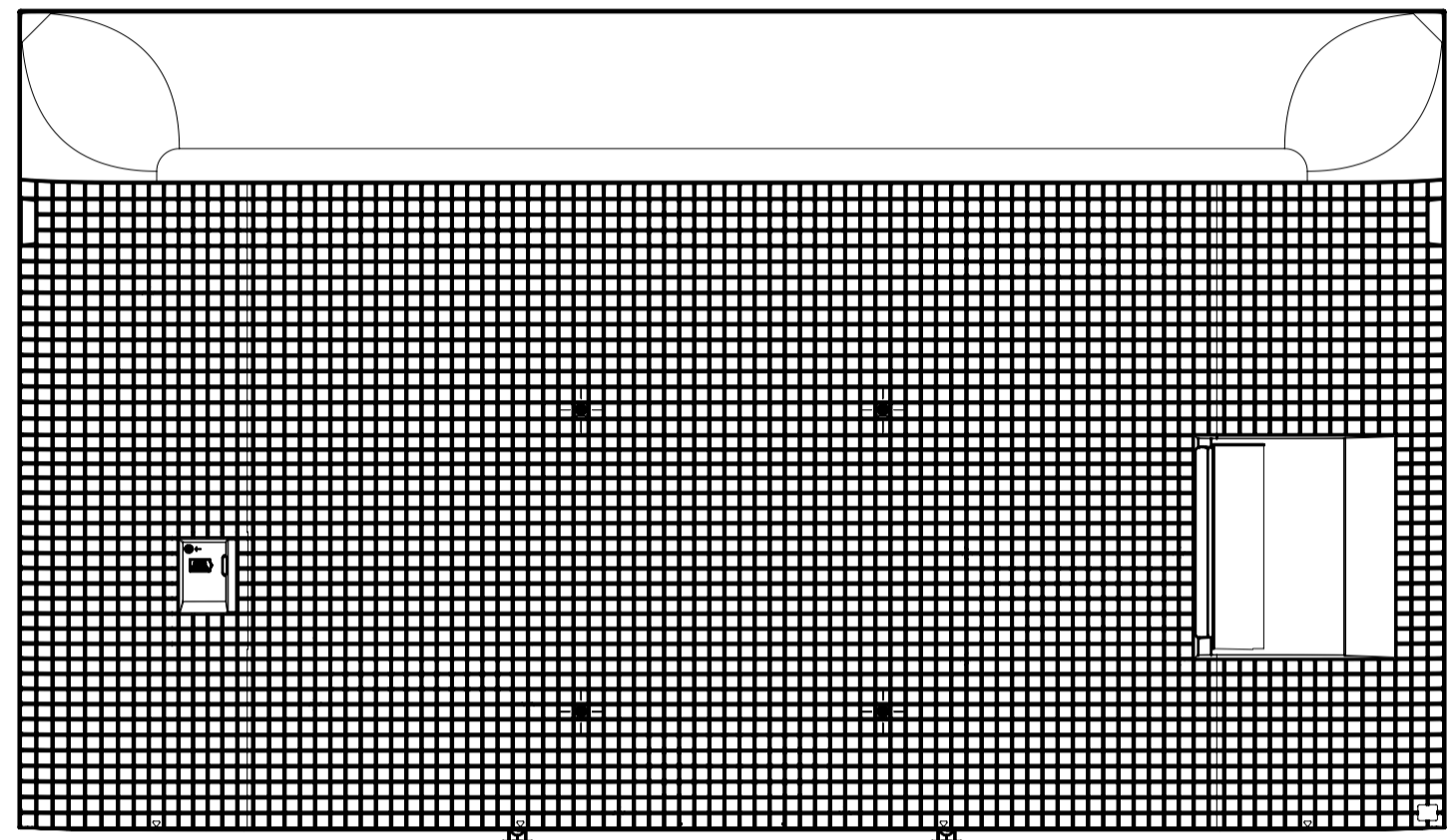
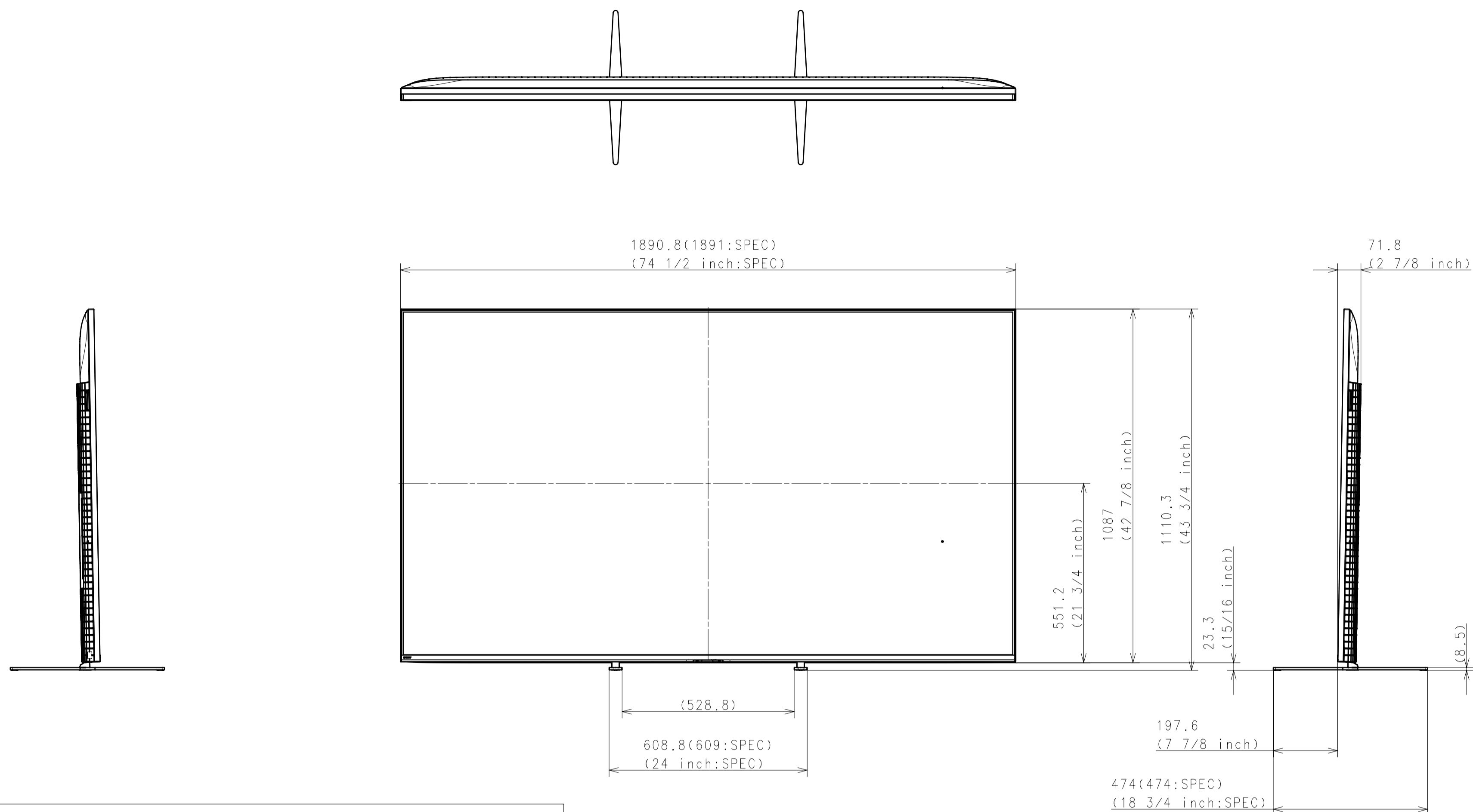
△ 2	2024.03.13	Delete view	Yoshitaka
△ 4	2024.02.13	Revise, Add STANDARD/SLIM notation.	Yoshitaka
△ 2	2024.01.17	Revise, Changed to correct dimension.	Yoshitaka
△ 8	2024.01.09	Revise, Changed to correct dimension.	Yoshitaka
△ 2	2023.12.26	Add WL900/WL905 View.	Yoshitaka
△ 6	2023.12.15	Revise, Changed to correct dimension.	Yoshitaka

HISTORY & COUNT	SUFFIX PREL. NO. REV.	RELEASE NO. DATE	REVISION	SIGN.
LEGAL OWNER	Sony Corporation			
RESPONSIBLE DEPARTMENT	DTC_MD div1 MD dept1		ORIGINAL MODEL	DESCRIPTIONS
PLANNED BY	DESIGNED BY	APPROVED BY	SCALE	85(XR70) EXTERIOR VIEW
2023.09.21	Yoshitaka Yoshitaka		1:10	85(XR70) EXTERIOR VIEW
DRAWN BY	SIZE	UNIT	PAGE NO.	SUFFIX REV. NO.
2023.09.21	A1	mm		1/6
Yoshitaka Yoshitaka				

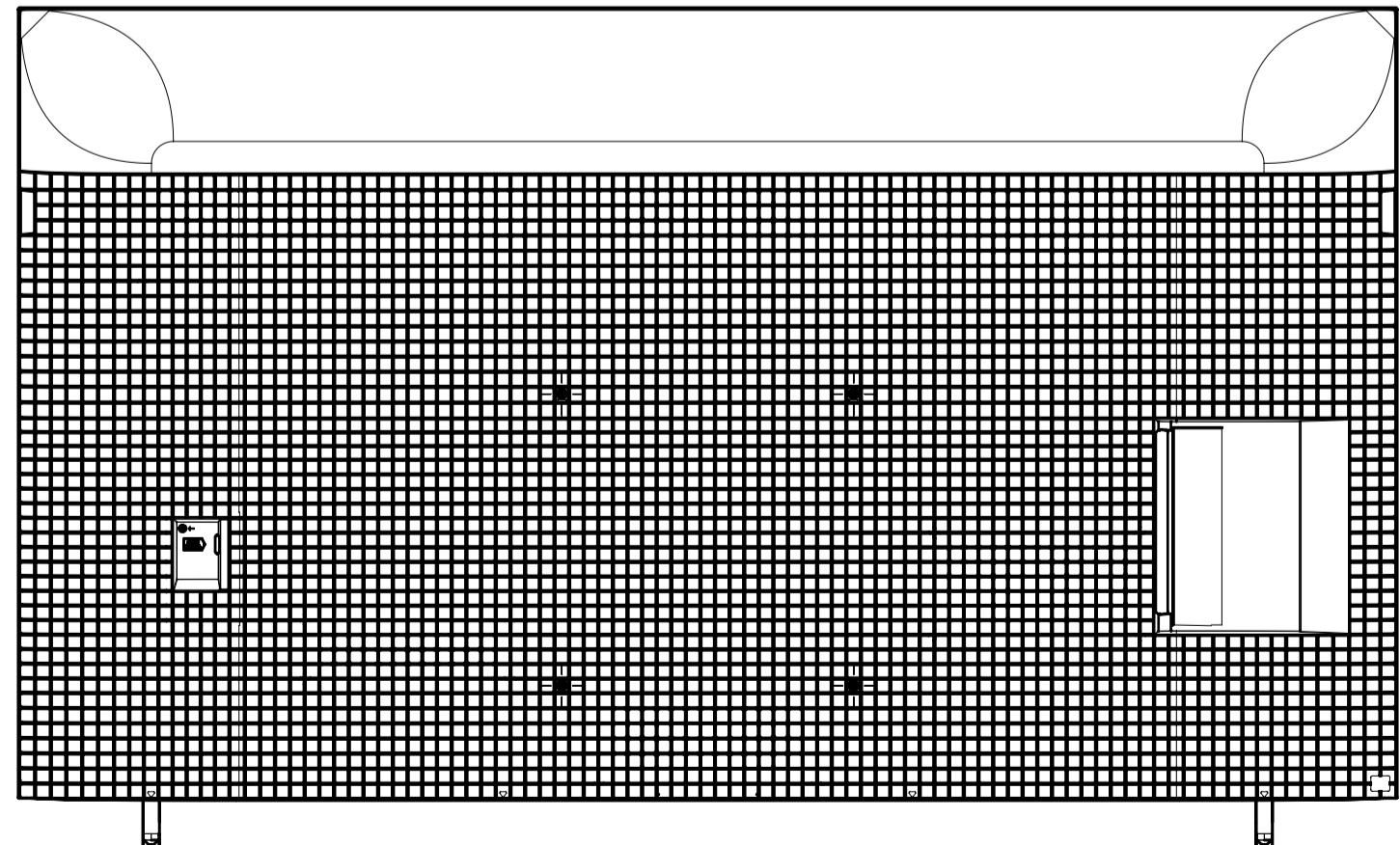
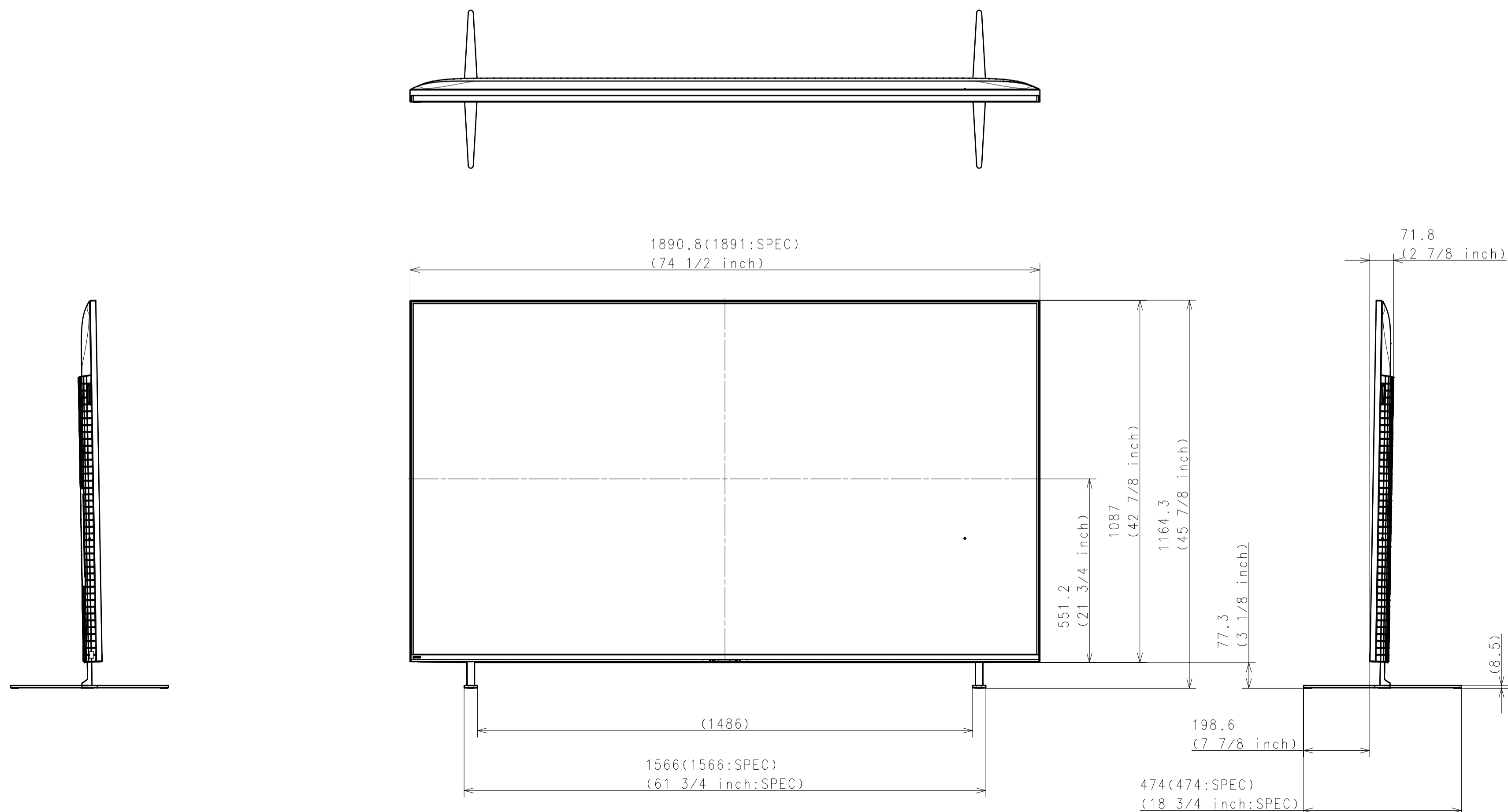
GENERAL TOLERANCE: ±0.15mm (0.006 inch) (MAX) (OTHERWISE SPECIFIED)
DATE OF ISSUE: 2023.09.21
DOCUMENT TYPE: PART
DRAWING: DRAWING
JIS & ISO (JIS B 0013) (ISO 0013)

MATERIAL COLOR: FINISH COLOR:

TV with Stand (Inside)

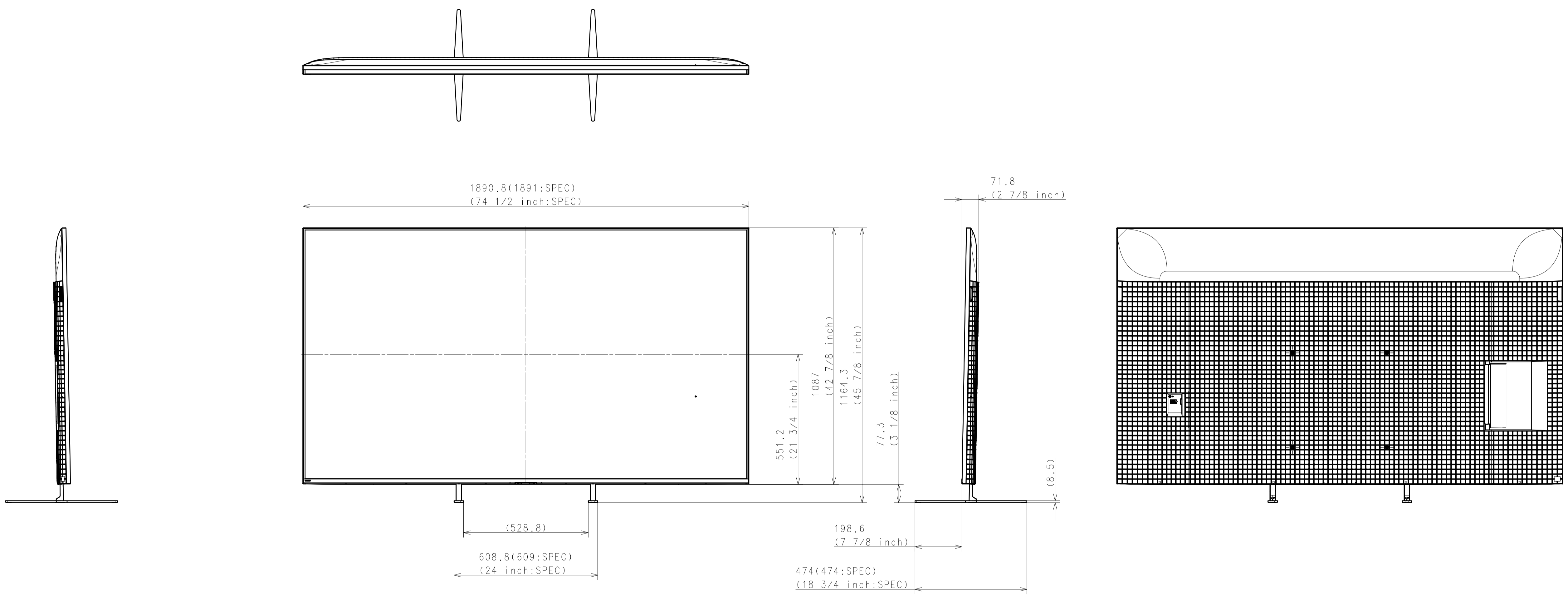


TV with Stand (Outside for Soundbar)



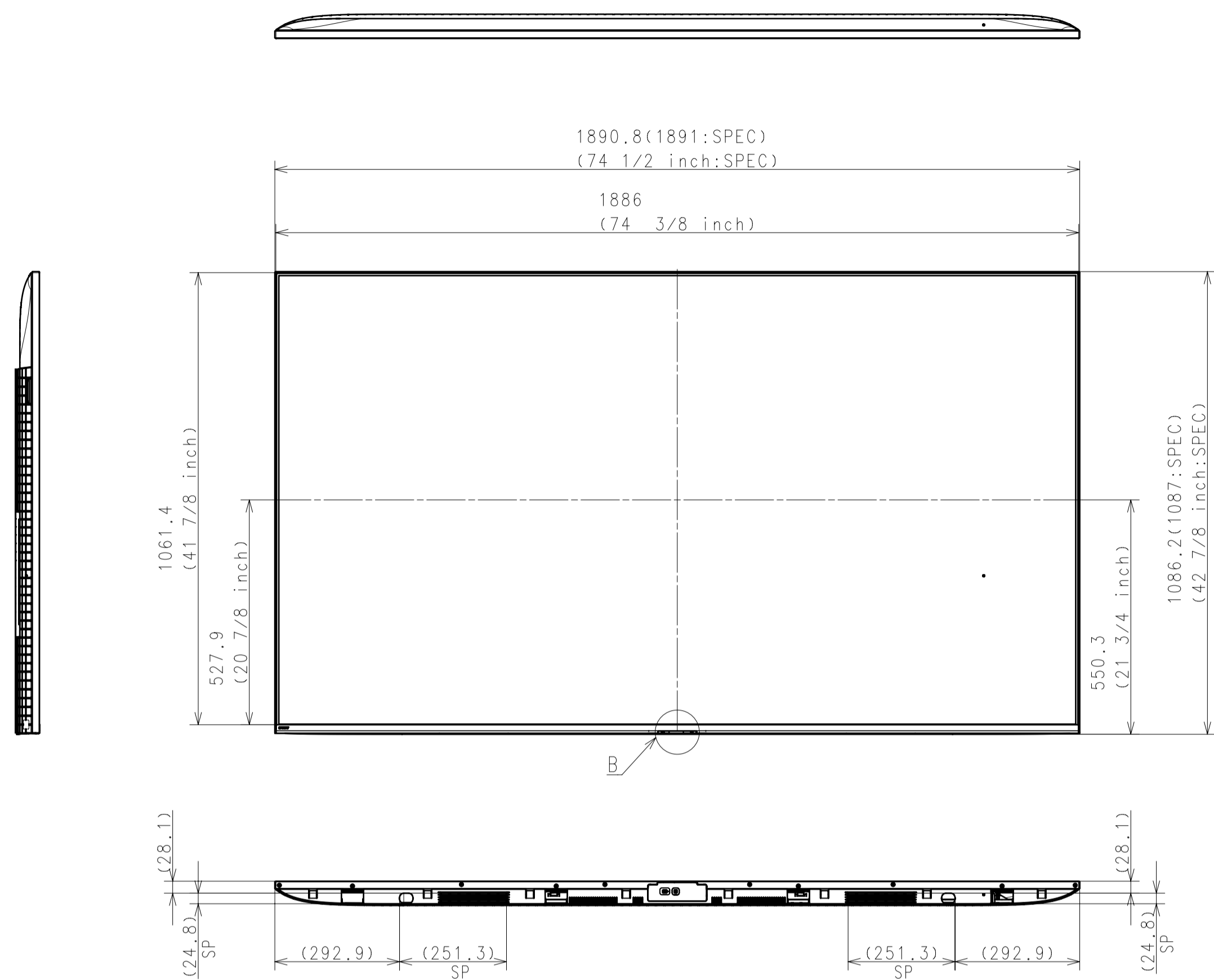
DESCRIPTION 1	LEGAL OWNER	SCALE
85(XR70) EXTERIOR VIEW	Sony Corporation	T:1
DESCRIPTION 2	PART NO.	SHEET/PAGES
85(XR70) EXTERIOR VIEW		2 / 6

TV with Stand (Inside for Soundbar)

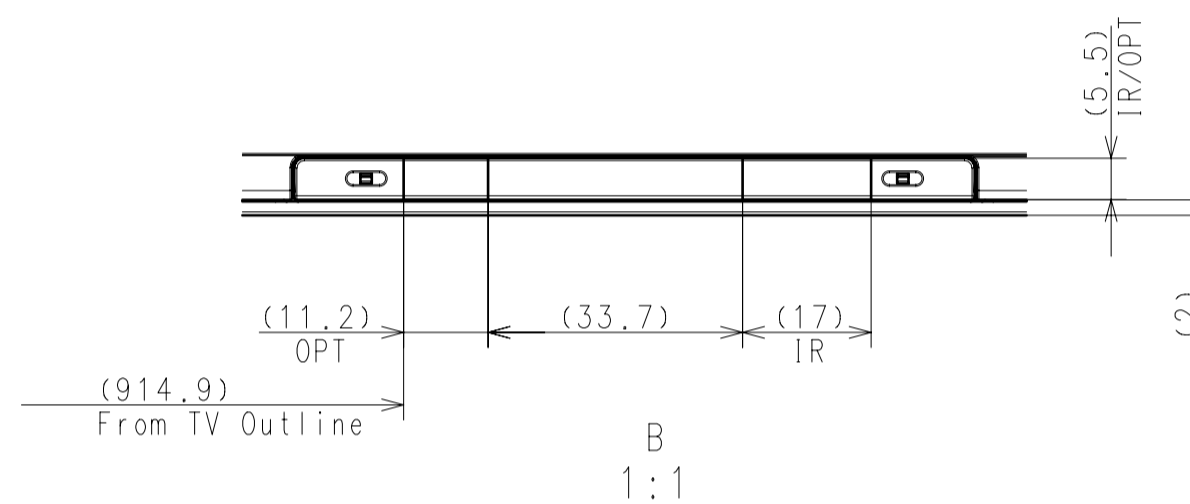


DESCRIPTION 1	LEGAL OWNER	SCALE
85(XR70) EXTERIOR VIEW	Sony Corporation	1:1
DESCRIPTION 2	PART NO.	SHEET/PAGES
85(XR70) EXTERIOR VIEW		3 / 6

TV only

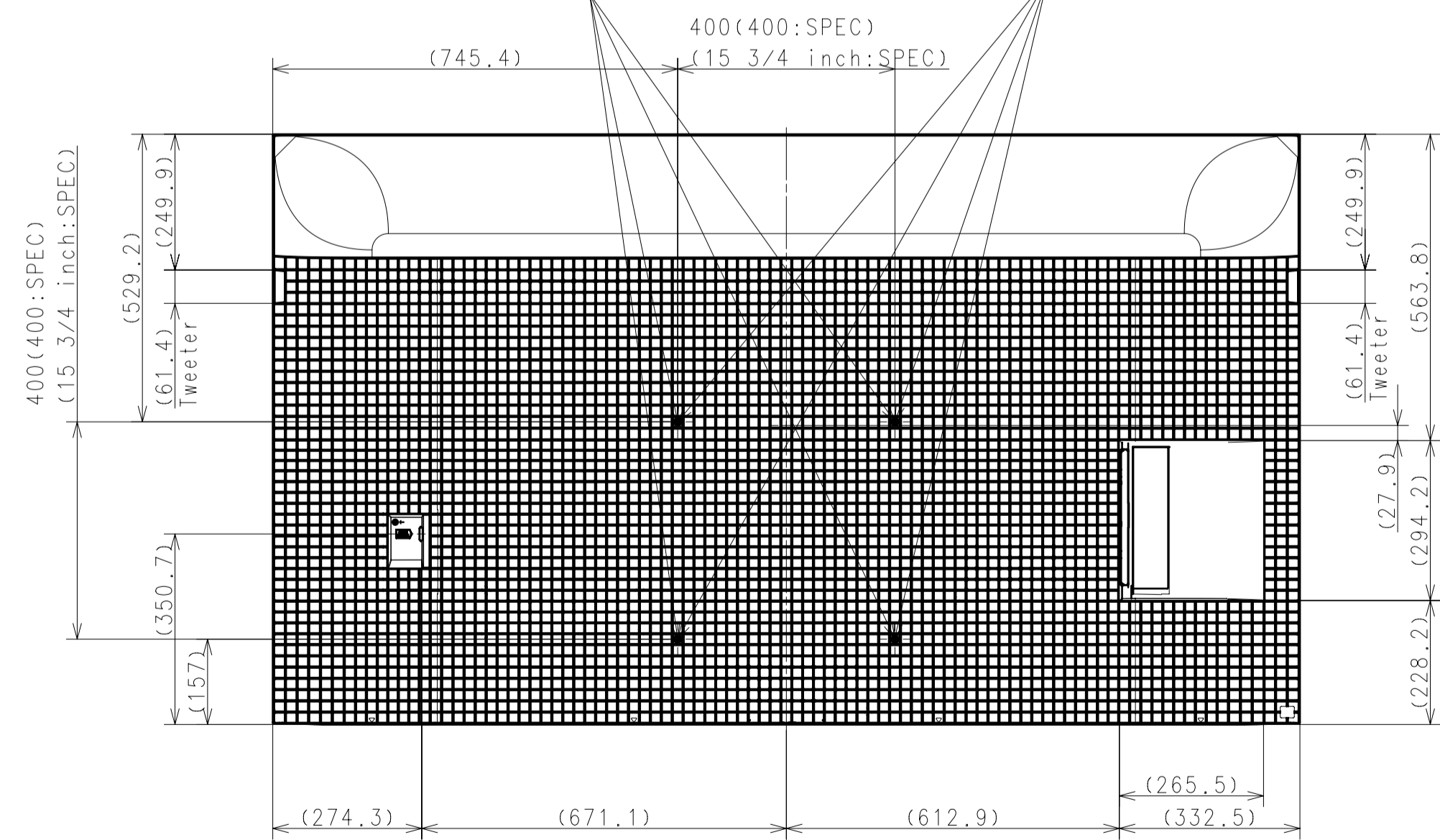


57 (57:SPEC)
 (2 1/4 inch:SPEC)
 46.7 (46.7:SPEC)
 (1 7/8 inch:SPEC)

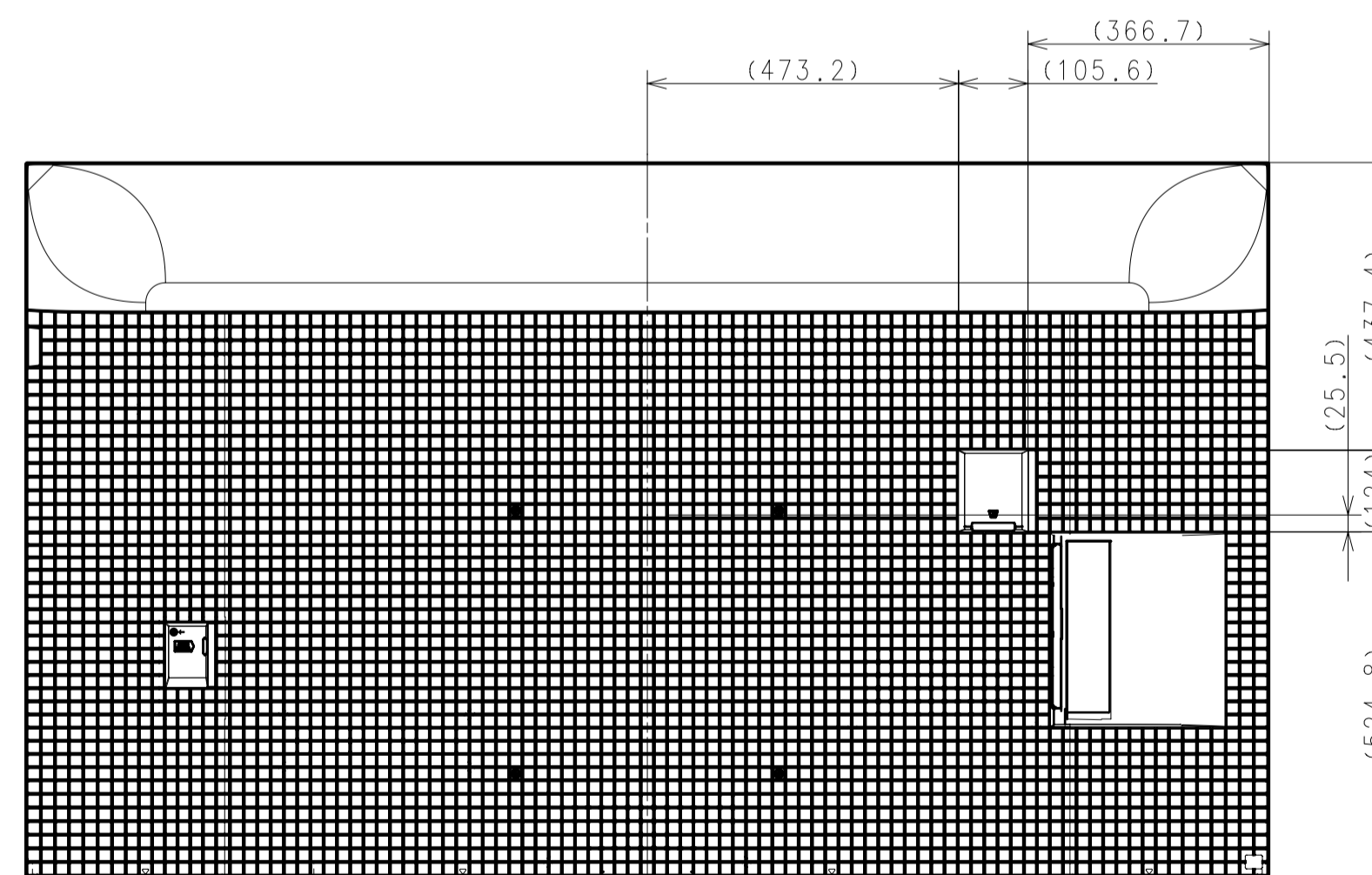


M6 HOLES FOR WALL MOUNT BRACKET
 *REFER TO INSTRUCTION MANUAL FOR SCREW LENGTH INFORMATION

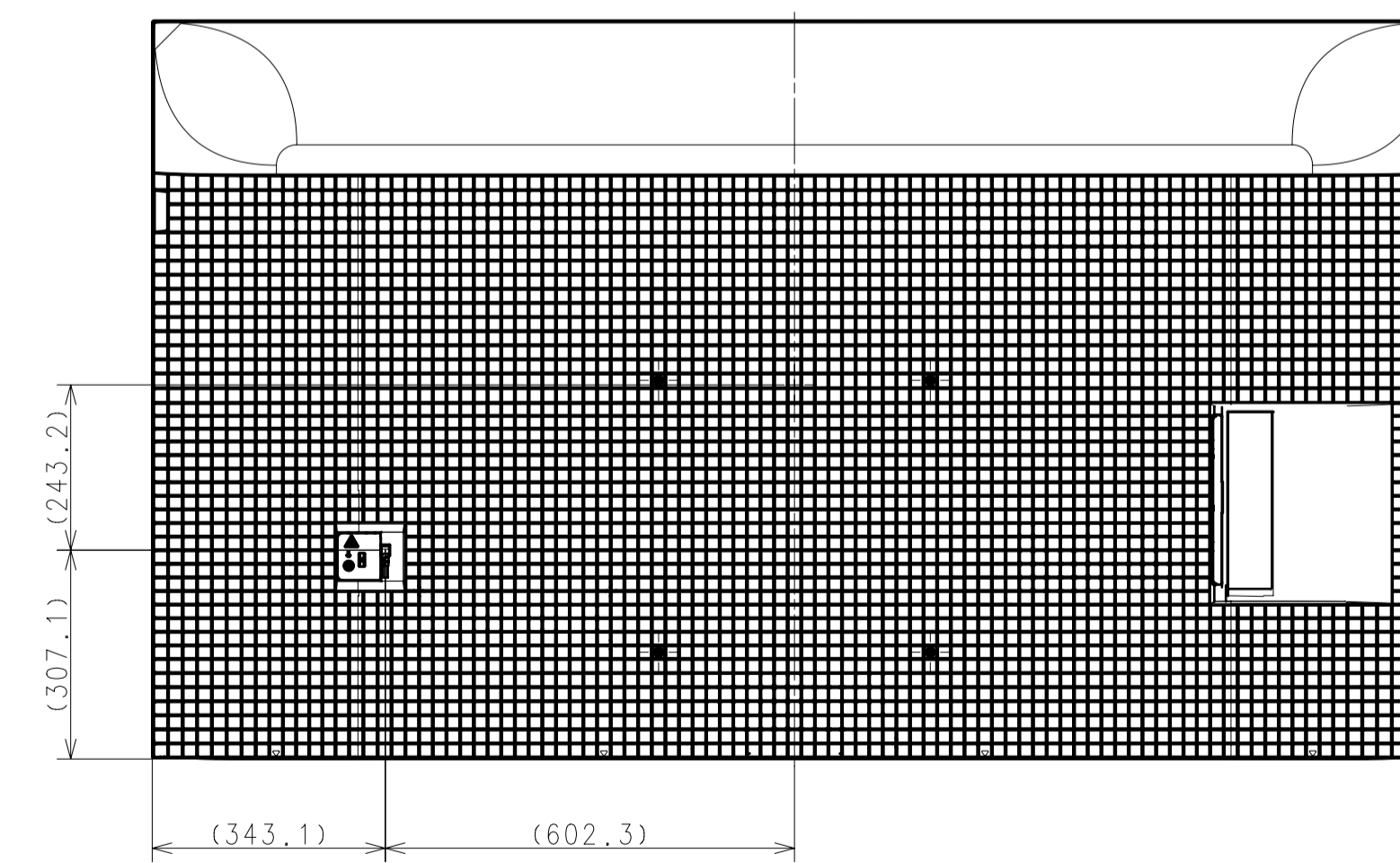
M6 HOLES FOR SECURING HARDWARE.
 (BELT, ROPE OR CHAIN)



FOR EXCEPT
 CE1, UKA, RU3, E33, J1, IN5, LA8, AR4, C01



FOR CE1, UKA, RU3, E33



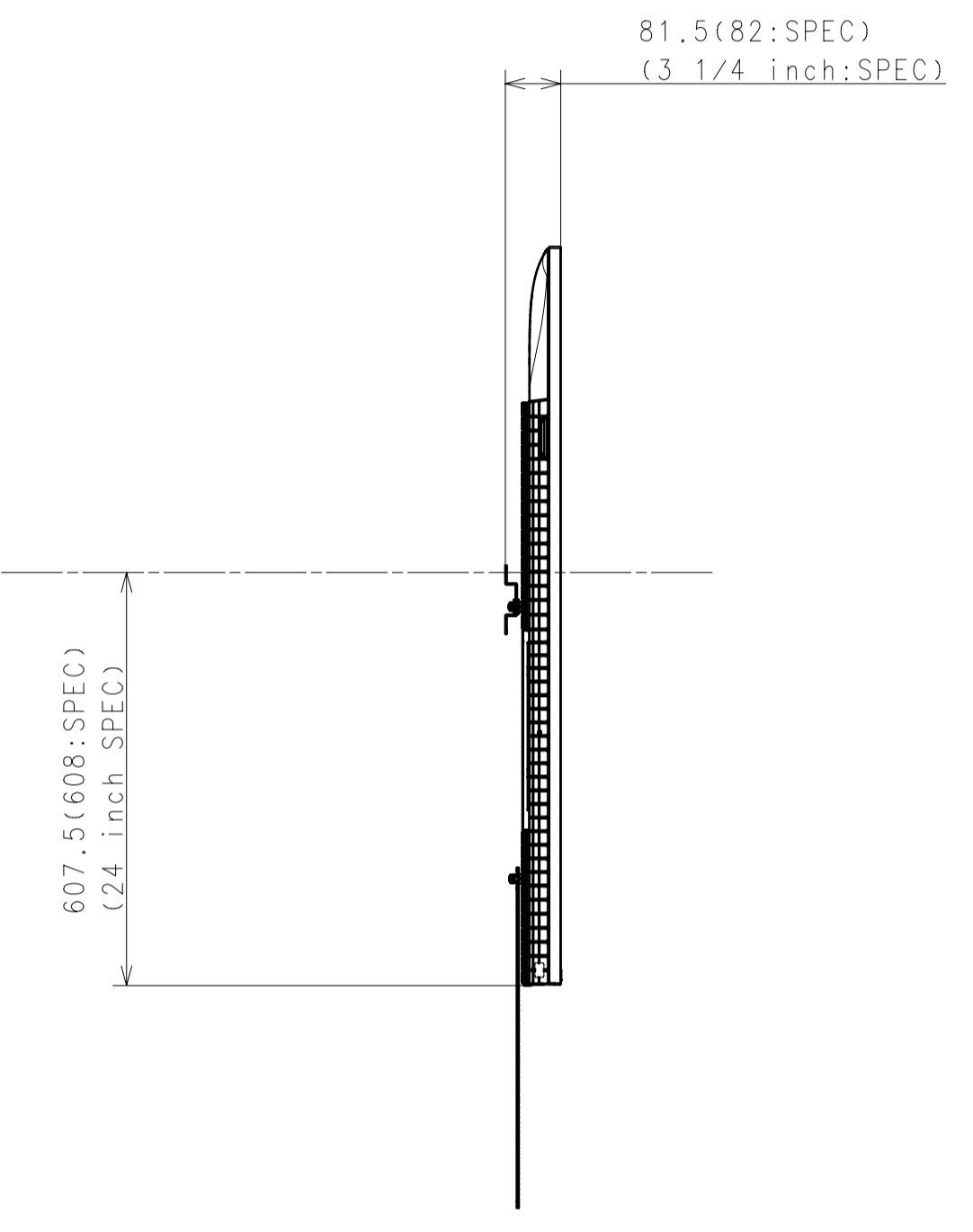
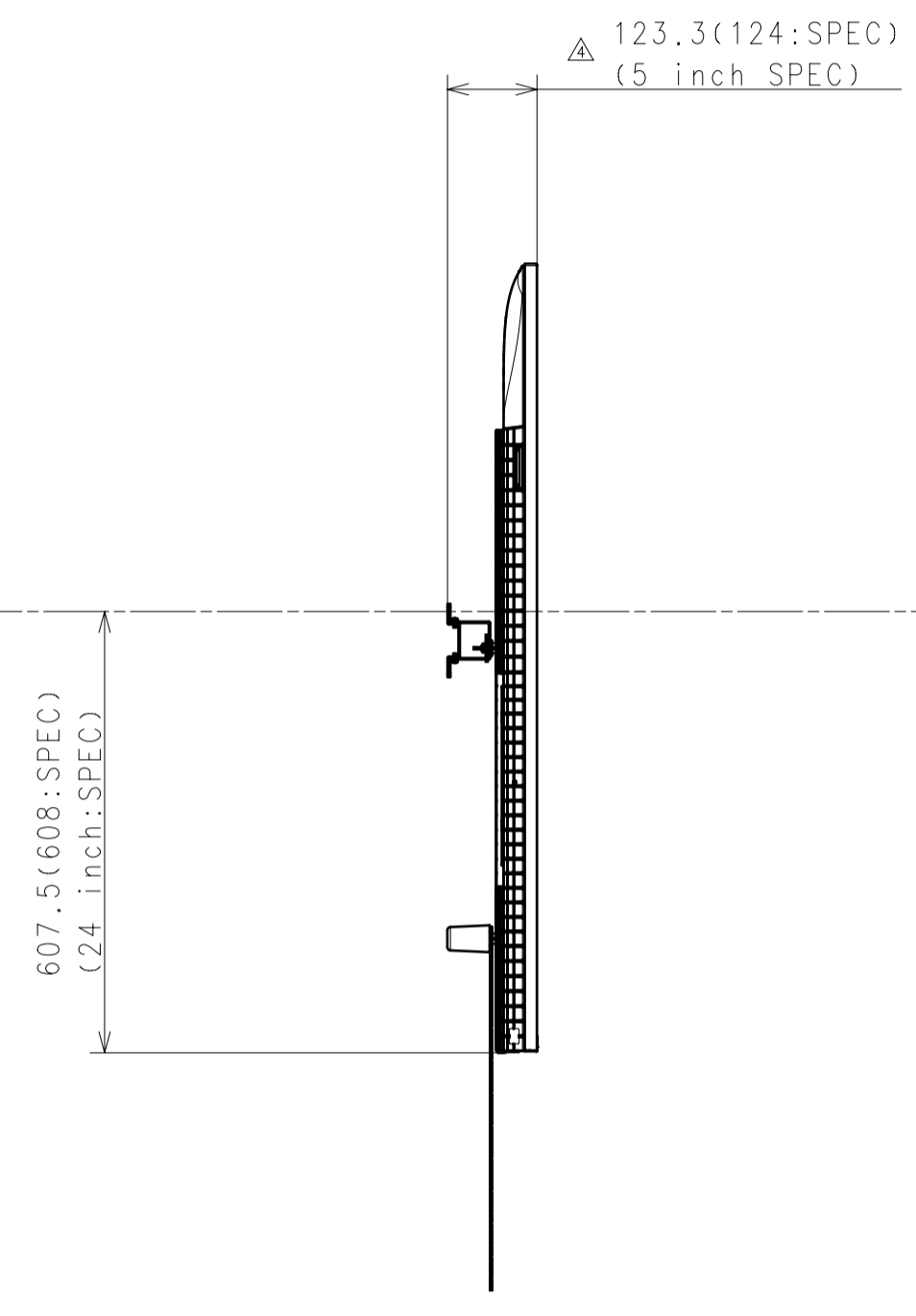
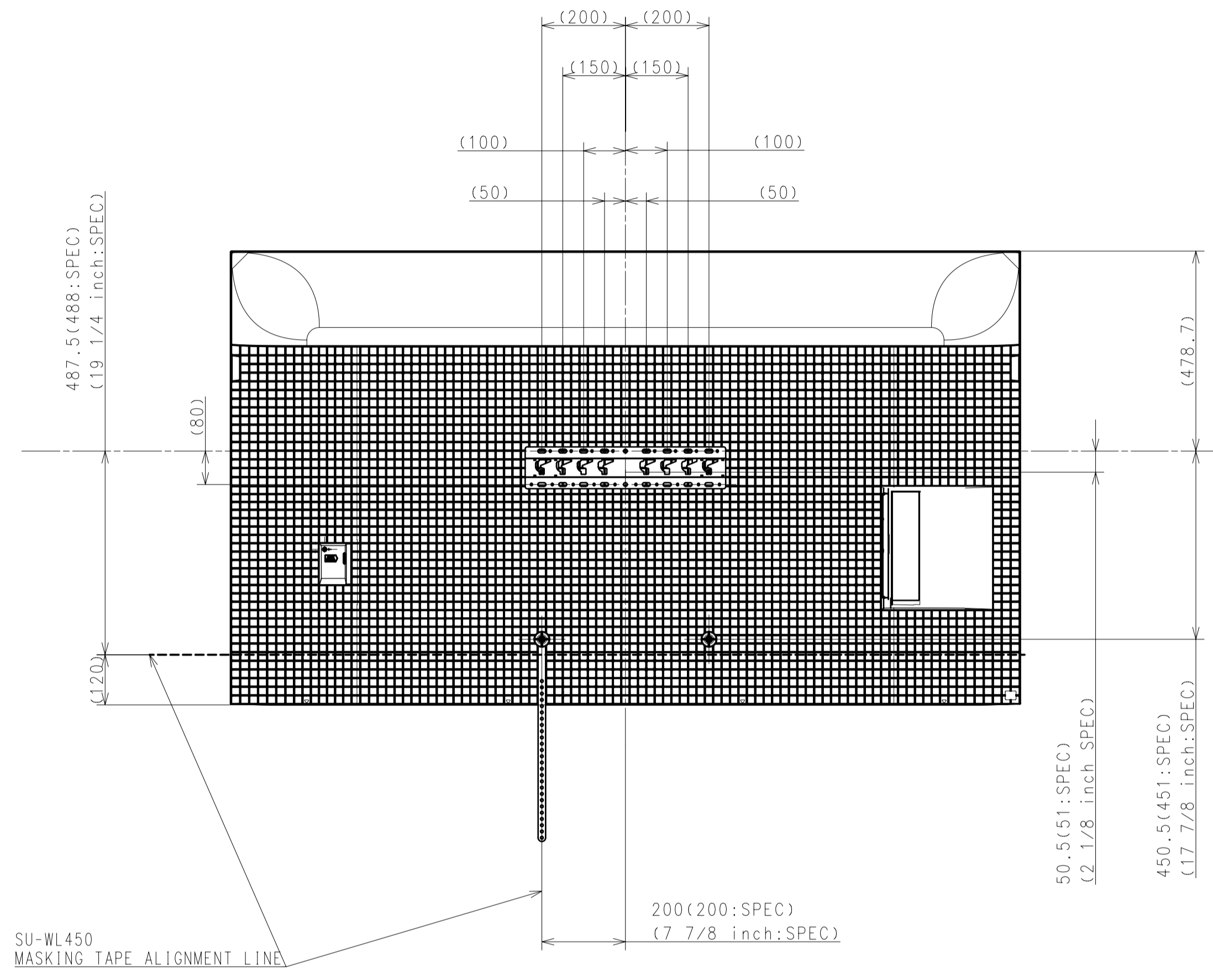
FOR J1, IN5, LA8, AR4, C01

DESCRIPTION1 85(XR70) EXTERIOR VIEW	LEGAL OWNER Sony Corporation	SCALE 1:1
DESCRIPTION2 85(XR70) EXTERIOR VIEW	PART NO.	SHEET/PAGES 4 / 6

SU-WL450

STANDARD

SLIM



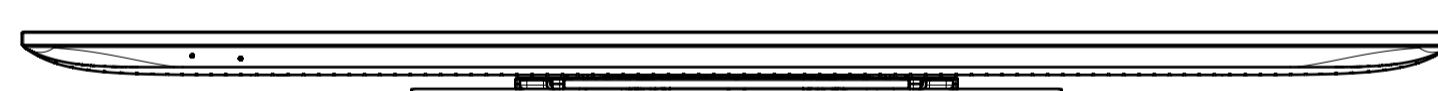
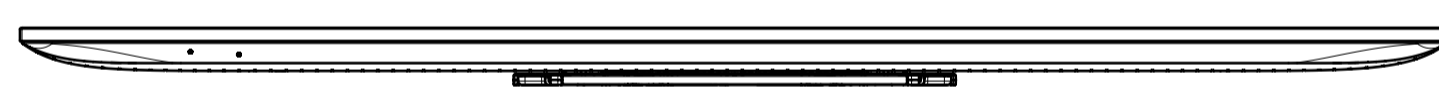
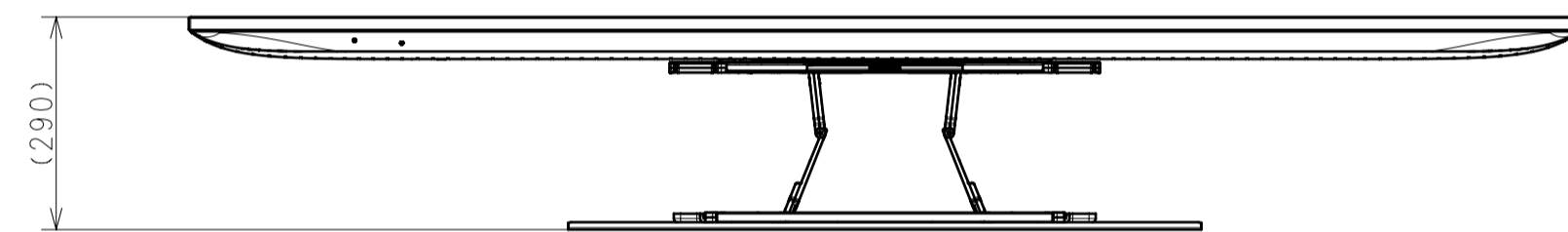
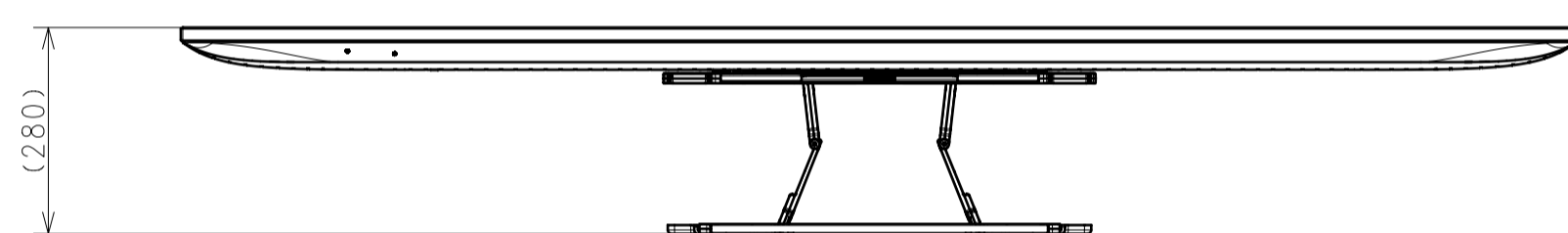
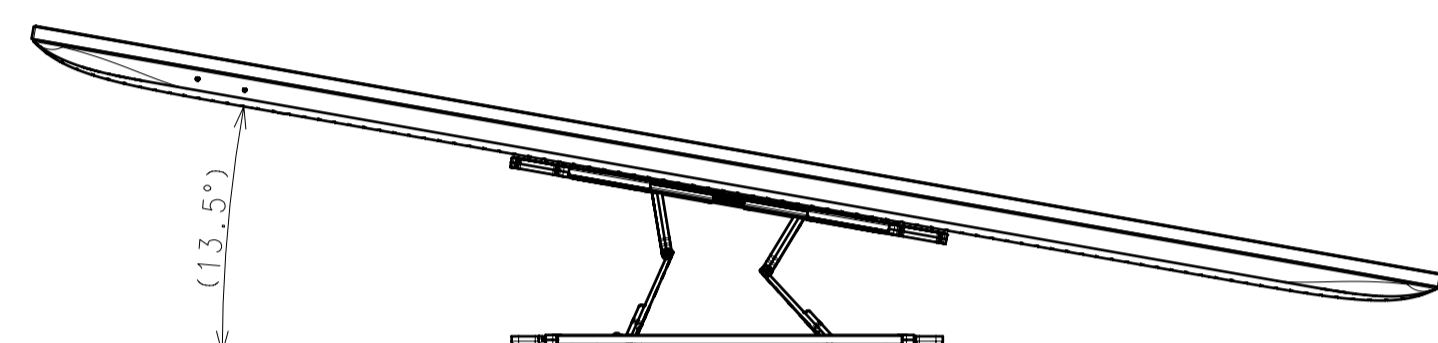
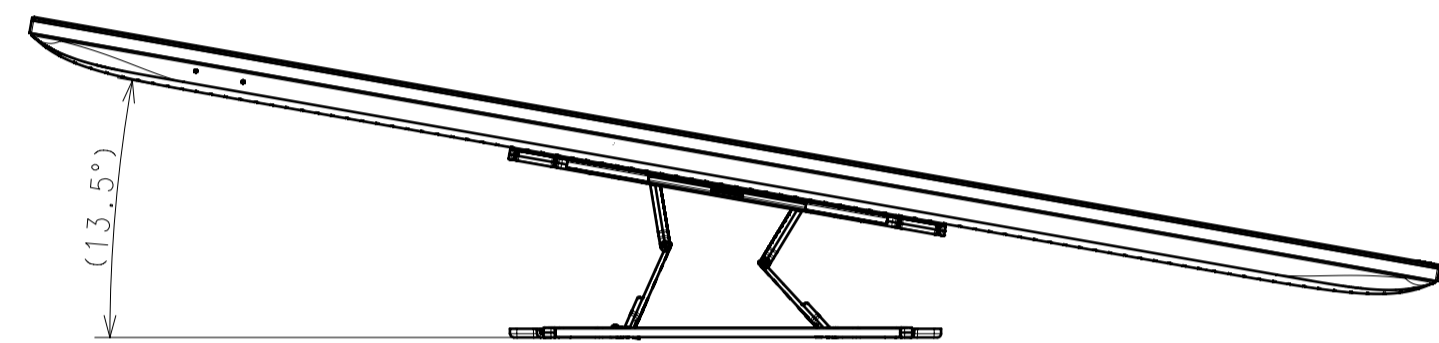
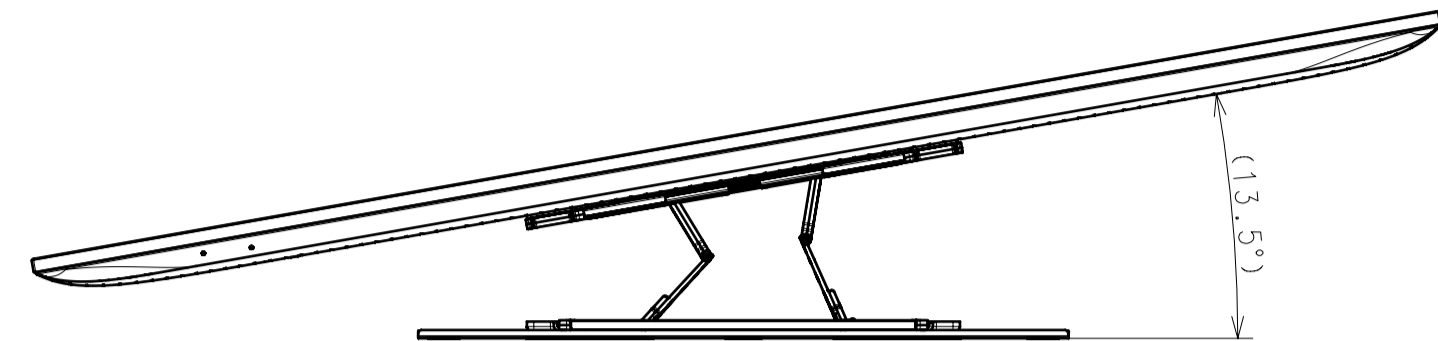
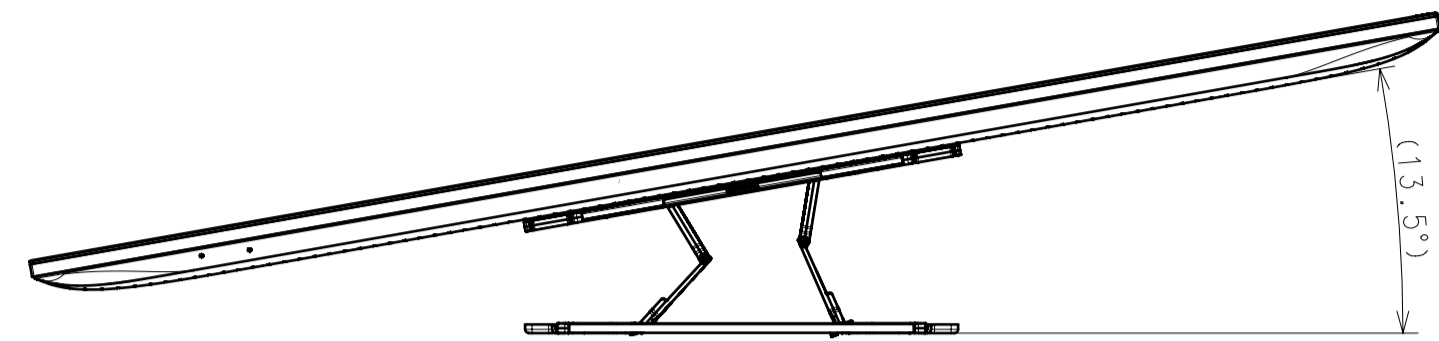
DESCRIPTION(1)	LEGAL OWNER	SCALE
85(XR70) EXTERIOR VIEW	Sony Corporation	1:1
DESCRIPTION(2)	PART NO.	SHEET/PAGES
85(XR70) EXTERIOR VIEW		5/ 6

2

SU-WL900

2

SU-WL905



5

SLIM

5

STANDARD

74.7(75:SPEC)
(3 inch:SPEC)

87.7(88:SPEC)
(3 1/2 inch:SPEC)

490.6(491:SPEC)
(19 3/8 inch:SPEC)

5

6

5

6

84.7(85:SPEC)
(3 3/8 inch:SPEC)

59.7(60:SPEC)
(2 3/8 inch:SPEC)

(225.8) (225.8)

(595.6)
(77)

(81.5)

(81.5)

(412.8) (412.8)

(123.2) (123.2)

24.4(25:SPEC)
(1 inch:SPEC)

(511.5)
(24.5)

574.7(575:SPEC)
(22 3/4 inch:SPEC)

DESCRIPTION 1	85(XR70) EXTERIOR VIEW	LEGAL OWNER	Sony Corporation	SCALE	T:1
DESCRIPTION 2	85(XR70) EXTERIOR VIEW	PART NO.		SHEET/PAGES	6/6