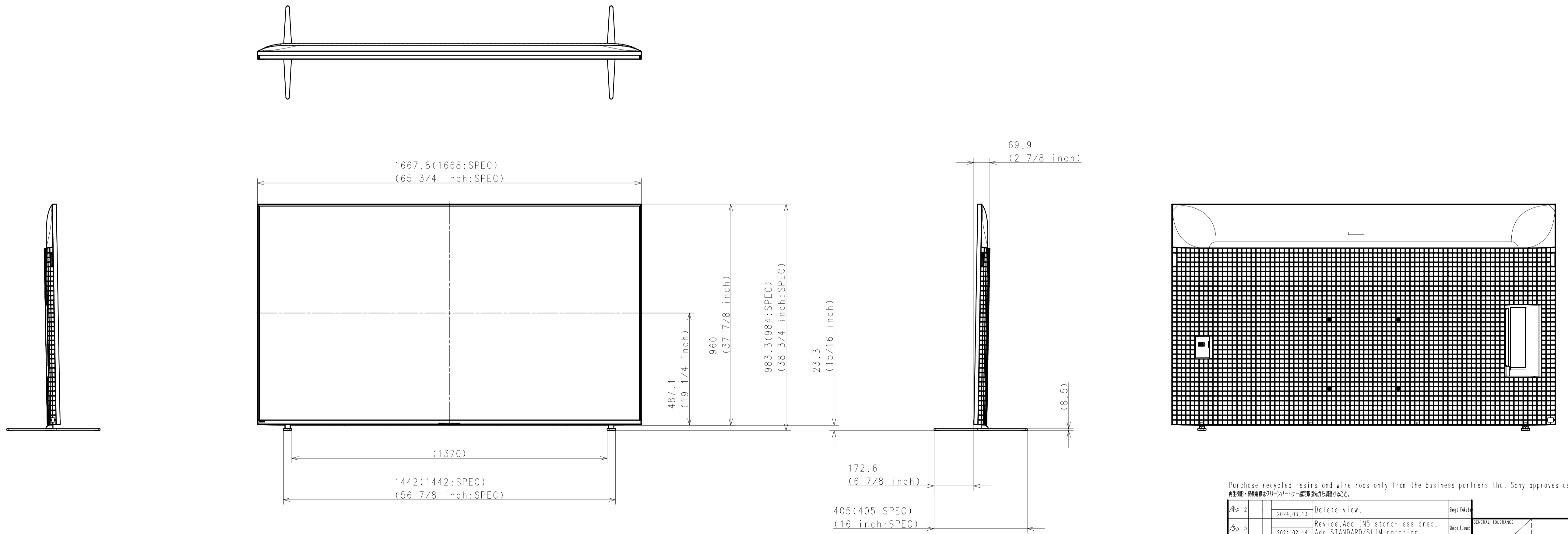


Area	JAPAN	NORTH AMERICA	NORTH AMERICA DERIVATIVE	EUROPE	GENERAL AREA + IN5 stand models	CHINA	IN5 Stand-less
Model Name	K-75XR70	K-75XR70	K-75XR70C	K-75XR70	K-75XR70	K-75XR70	K-75XR70
SV No.	SV-42093	SV-42008	SV-42102	SV-42089	SV-42032	SV-42079	SV-42042
DIMENSION							
TV only (W x H x D)	166.8 x 96.0 x 5.7 (4.67) cm	1668 x 960 x 57 (46.7) mm / 65 3/4 x 37 7/8 x 2 1/4 (1 7/8) inch	1668 x 960 x 57 (46.7) mm / 65 3/4 x 37 7/8 x 2 1/4 (1 7/8) inch	Approx. 166.8 x 96.0 x 5.7 (4.67) cm	Approx. 1668 x 960 x 57 (46.7) mm	Approx. 1668 x 960 x 57 (46.7) mm	Approx. 1668 x 960 x 57 (46.7) mm
TV only with camera (W x H x D)	-	-	-	-	-	-	-
TV with Stand (Outside) (W x H x D)	166.8 x 98.4 x 40.5 cm	1668 x 984 x 405 mm / 65 3/4 x 38 3/4 x 16 inch	1668 x 984 x 405 mm / 65 3/4 x 38 3/4 x 16 inch	Approx. 166.8 x 98.4 x 40.5 cm	Approx. 1668 x 984 x 405 mm	Approx. 1668 x 984 x 405 mm	-
TV with Stand (Inside) (W x H x D)	166.8 x 98.4 x 40.5 cm	1668 x 984 x 405 mm / 65 3/4 x 38 3/4 x 16 inch	1668 x 984 x 405 mm / 65 3/4 x 38 3/4 x 16 inch	Approx. 166.8 x 98.4 x 40.5 cm	Approx. 1668 x 984 x 405 mm	Approx. 1668 x 984 x 405 mm	-
TV with Stand (Outside for Soundbar) (W x H x D)	166.8 x 103.8 x 40.5 cm	1668 x 1038 x 405 mm / 65 3/4 x 40 7/8 x 16 inch	1668 x 1038 x 405 mm / 65 3/4 x 40 7/8 x 16 inch	Approx. 166.8 x 103.8 x 40.5 cm	Approx. 1668 x 1038 x 405 mm	Approx. 1668 x 1038 x 405 mm	-
TV with Stand (Inside for Soundbar) (W x H x D)	166.8 x 103.8 x 40.5 cm	1668 x 1038 x 405 mm / 65 3/4 x 40 7/8 x 16 inch	1668 x 1038 x 405 mm / 65 3/4 x 40 7/8 x 16 inch	Approx. 166.8 x 103.8 x 40.5 cm	Approx. 1668 x 1038 x 405 mm	Approx. 1668 x 1038 x 405 mm	-
TV with Stand (Front position style) (W x H x D)	-	-	-	-	-	-	-
TV with Stand (Back position style) (W x H x D)	-	-	-	-	-	-	-
TV with Floor Stand (W x H x D)	-	-	-	-	-	-	-
Stand Width (Outside)	144.2 cm	1442 mm / 56 7/8 inch	1442 mm / 56 7/8 inch	Approx. 144.2 cm	Approx. 1442 mm	Approx. 1442 mm	-
Stand Width (Inside)	51.8 cm	518 mm / 20 1/2 inch	518 mm / 20 1/2 inch	Approx. 51.8 cm	Approx. 518 mm	Approx. 518 mm	-
Stand Width (Outside for Soundbar)	144.2 cm	1442 mm / 56 7/8 inch	1442 mm / 56 7/8 inch	Approx. 144.2 cm	Approx. 1442 mm	Approx. 1442 mm	-
Stand Width (Inside for Soundbar)	51.8 cm	518 mm / 20 1/2 inch	518 mm / 20 1/2 inch	Approx. 51.8 cm	Approx. 518 mm	Approx. 518 mm	-
Stand Width (Front position style)	-	-	-	-	-	-	-
Stand Width (Back position style)	-	-	-	-	-	-	-
Floor Stand Width	-	-	-	-	-	-	-
VESA Hole Pitch	30.0 x 30.0 cm	300 x 300 mm / 11 7/8 x 11 7/8 inch	300 x 300 mm / 11 7/8 x 11 7/8 inch	30.0 x 30.0 cm	300 x 300 mm	300 x 300 mm	300 x 300 mm
WEIGHT							
TV Only	38.3 kg	38.3 kg / 84.4 lb	38.3 kg / 84.4 lb	Approx. 38.3 kg	Approx. 38.3 kg	Approx. 38.3 kg	Approx. 38.3 kg
TV with Stand (Outside)	40.1 kg	40.1 kg / 88.4 lb	40.1 kg / 88.4 lb	Approx. 40.1 kg	Approx. 40.1 kg	Approx. 40.1 kg	-
TV with Stand (Inside)	40.1 kg	40.1 kg / 88.4 lb	40.1 kg / 88.4 lb	Approx. 40.1 kg	Approx. 40.1 kg	Approx. 40.1 kg	-
TV with Stand (Outside for Soundbar)	40.1 kg	40.1 kg / 88.4 lb	40.1 kg / 88.4 lb	Approx. 40.1 kg	Approx. 40.1 kg	Approx. 40.1 kg	-
TV with Stand (Inside for Soundbar)	40.1 kg	40.1 kg / 88.4 lb	40.1 kg / 88.4 lb	Approx. 40.1 kg	Approx. 40.1 kg	Approx. 40.1 kg	-
TV with Stand (Front/Back position style)	-	-	-	-	-	-	-
TV with Floor Stand	-	-	-	-	-	-	-
Floor Stand weight (Supply)	-	-	-	-	-	-	-
W-M't Br. Weight (Supply)	-	-	-	-	-	-	-
Remarks	4way	4way	4way	4way	4way	4way	4way

TV with Stand (Outside)

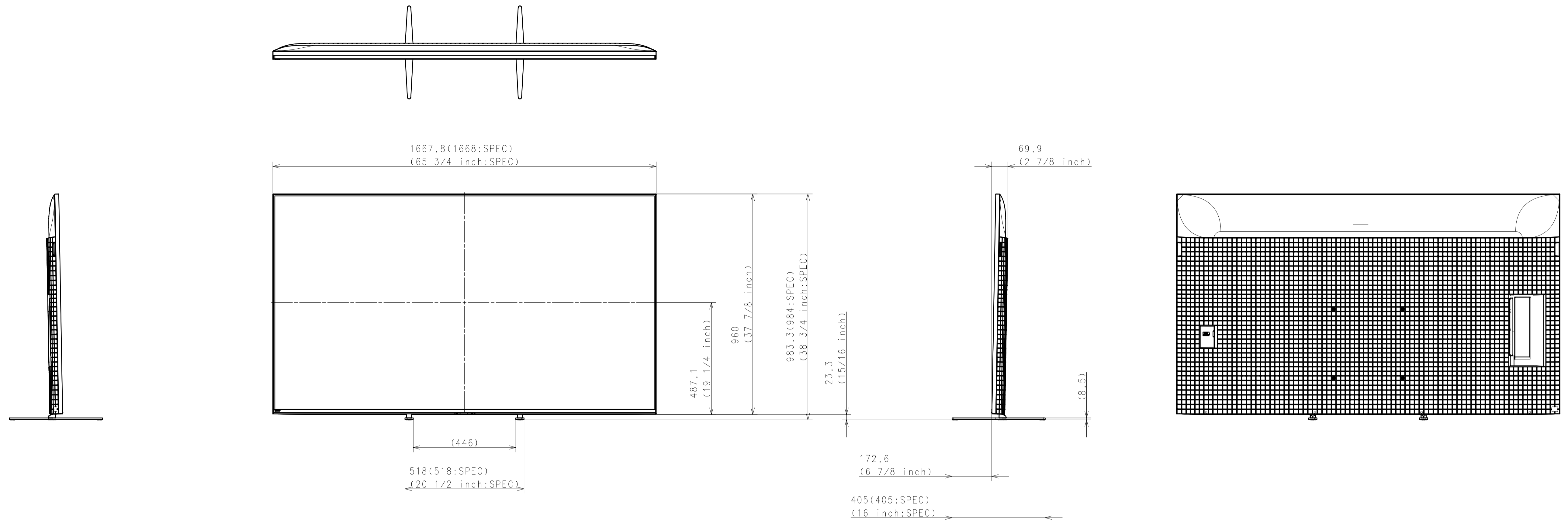


Purchase recycled resins and wire rods only from the business partners that Sony approves as Green Partners.
再生樹脂・電線鋼線はソニーがグリーンパートナーとして承認した企業から購入してください。

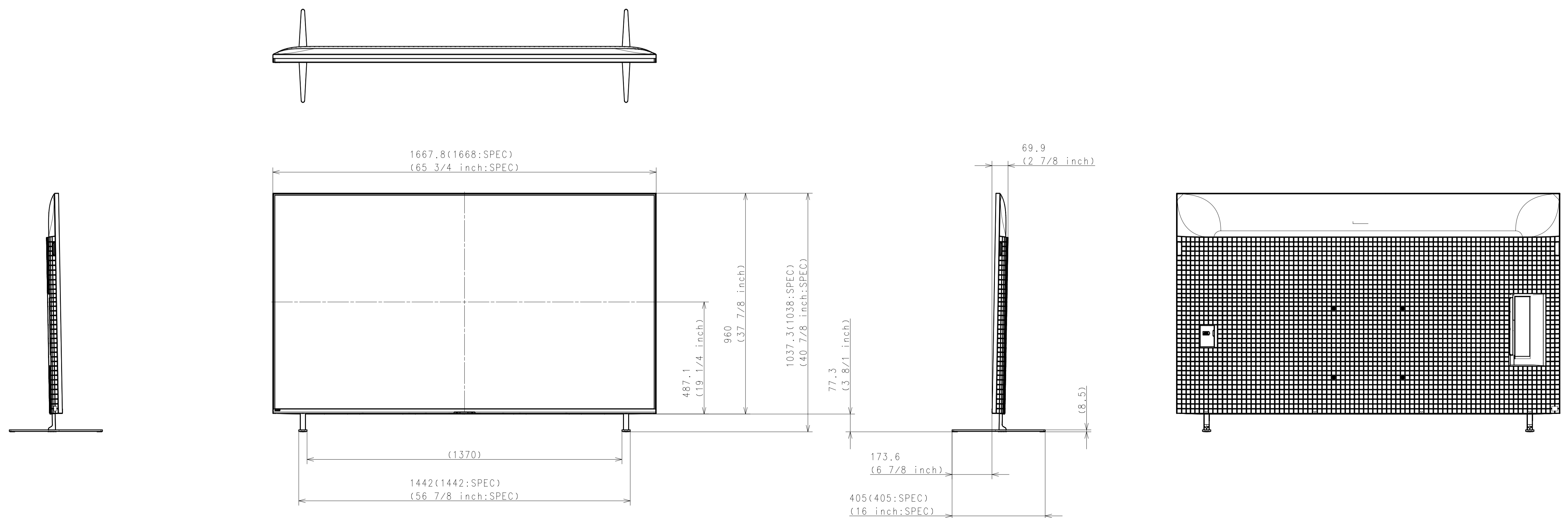
Rev 2	2024.03.13	Delete view.	Step 1/6	GENERAL TOLERANCE	DATE OF ISSUE
Rev 5	2024.02.14	Revise, Add IN5 stand-less area. Add STANDARD/SLIM notation.	Step 1/6	DOCUMENT TYPE	PART
Rev 1	2024.01.09	Revise, Changed to correct dimension.	Step 1/6	TELEGRAPHIC DRAWING	(JIS & ISO/IEC JIS)
Rev 2	2023.12.22	Add WL900/WL905 View.	H. Otsuka	MATERIAL COLOR	FINISH COLOR

HISTORY & COUNT	SUFFIX PREL. NO. REV.	RELEASE NO. DATE	REVISION	SIGN.
LEGAL OWNER	Sony Corporation			
RESPONSIBLE DEPARTMENT	P1C MD div1 MD dept1	ORIGINAL MODEL	DESCRIPTION	
PLANNED BY	2023.09.22 Otsuka Hironu	DESIGNED BY	2023.09.22 Otsuka Hironu	75 (XR70) EXTERIOR VIEW
DRAWN BY	2023.09.22 Otsuka Hironu	APPROVED BY	2023.09.22 Otsuka Hironu	75 (XR70) EXTERIOR VIEW
SCALE	1:10	TENTATIVE MODEL	SIZE	A1
UNIT	mm	PART NO.	SUFFIX	REV. NO.
SHEET/PAGES	1/6			

TV with Stand (Inside)

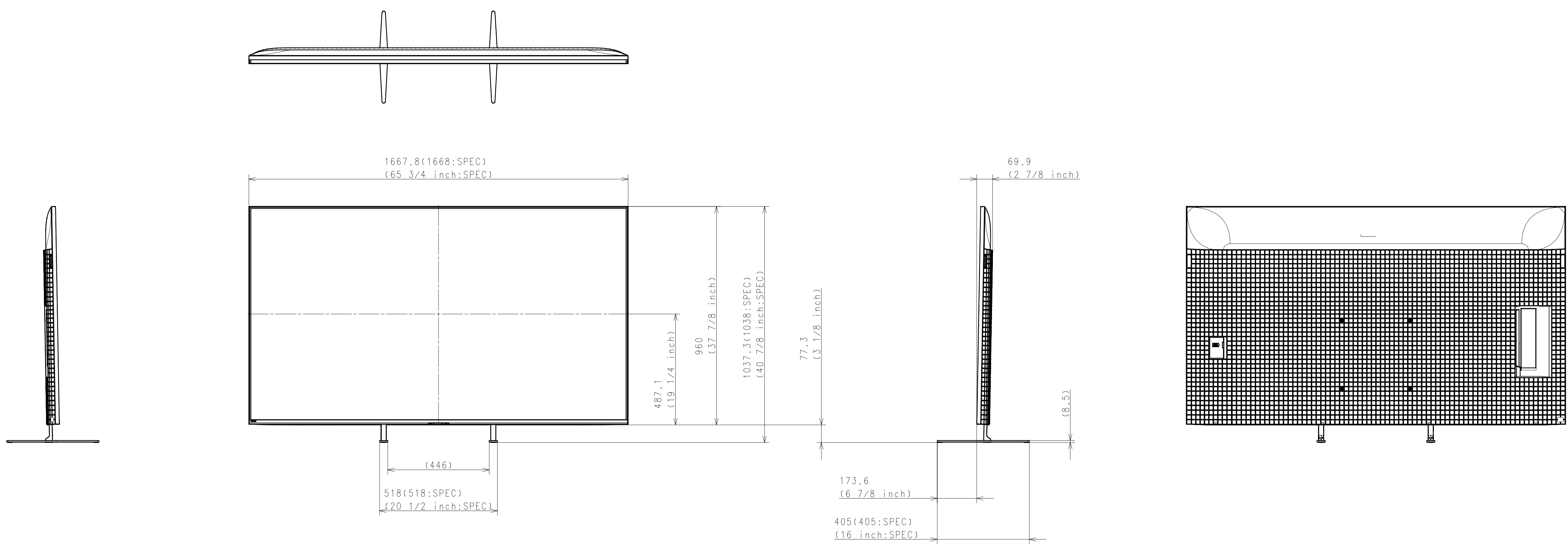


TV with Stand (Outside for Soundbar)



DESCRIPTION 1	LEGAL OWNER	SCALE
75 (XR70) EXTERIOR VIEW	Sony Corporation	1:10
DESCRIPTION 2	PART NO.	SHEET/PAGES
75 (XR70) EXTERIOR VIEW		2 / 6

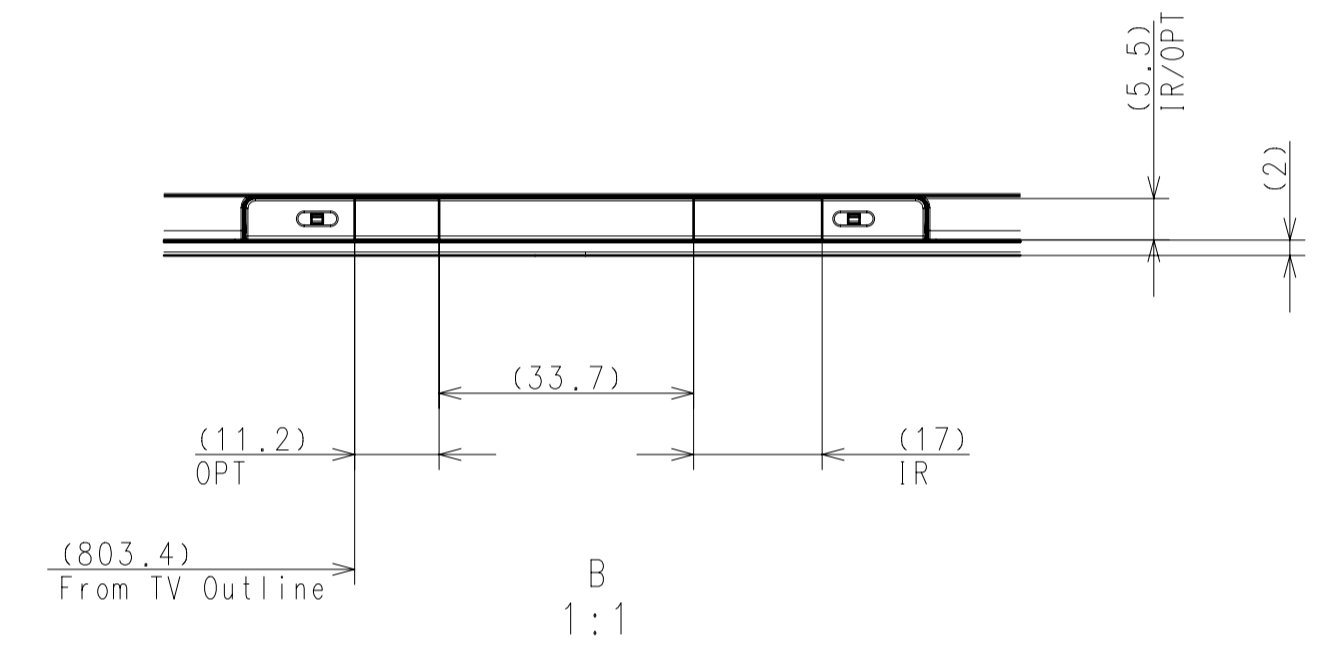
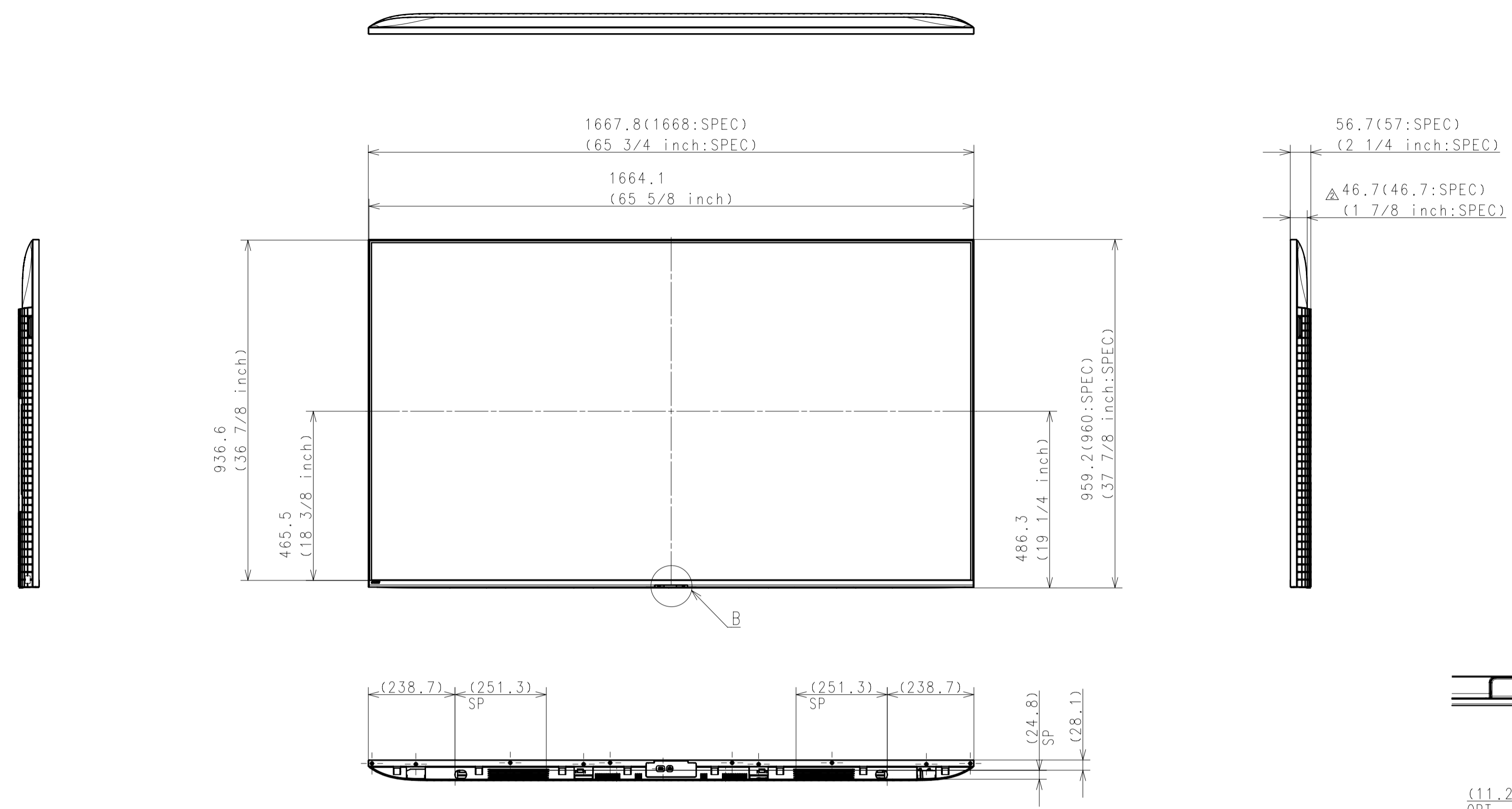
TV with Stand (Inside for Soundbar)



SONY STANDARD
DRAWING

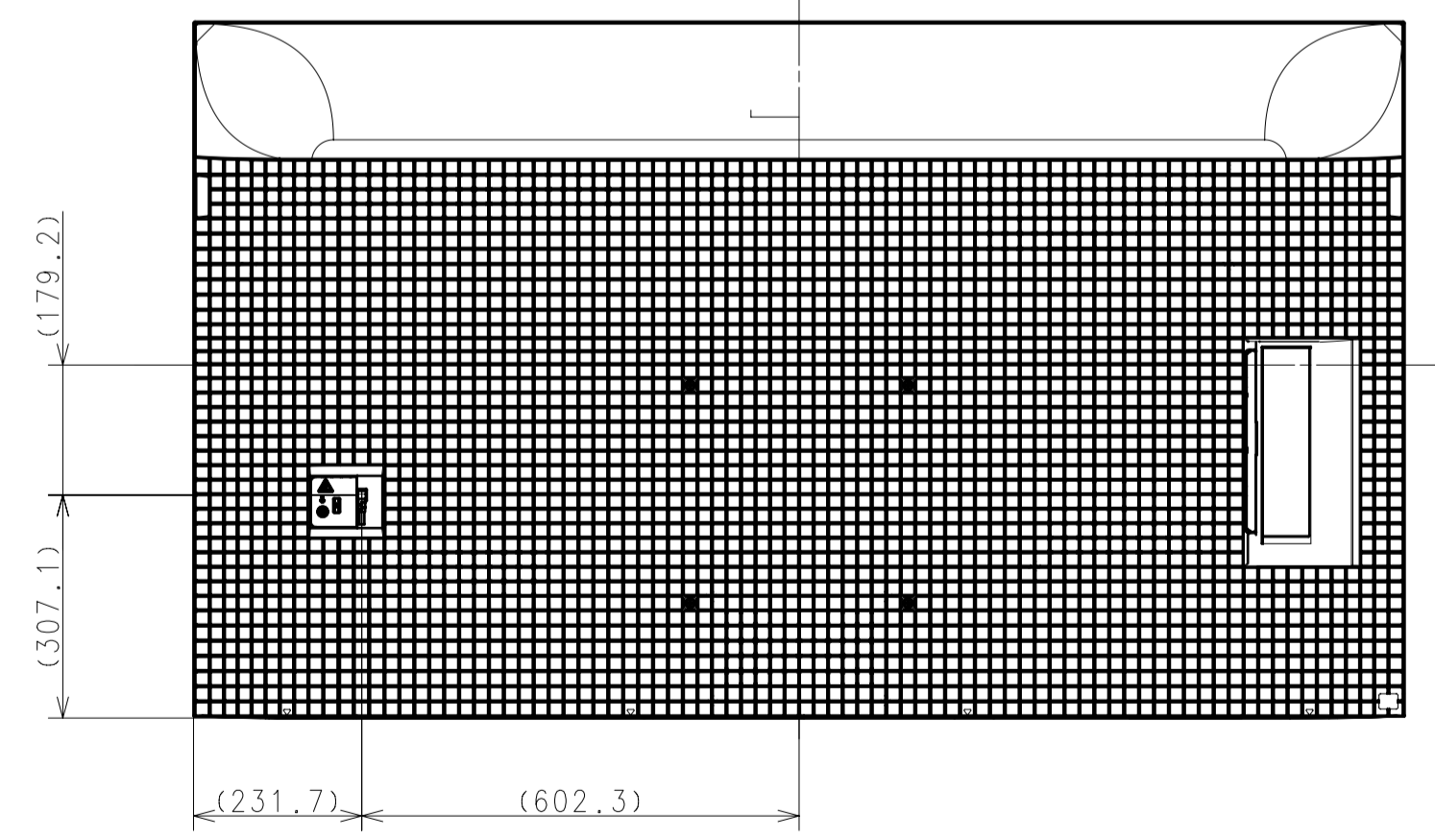
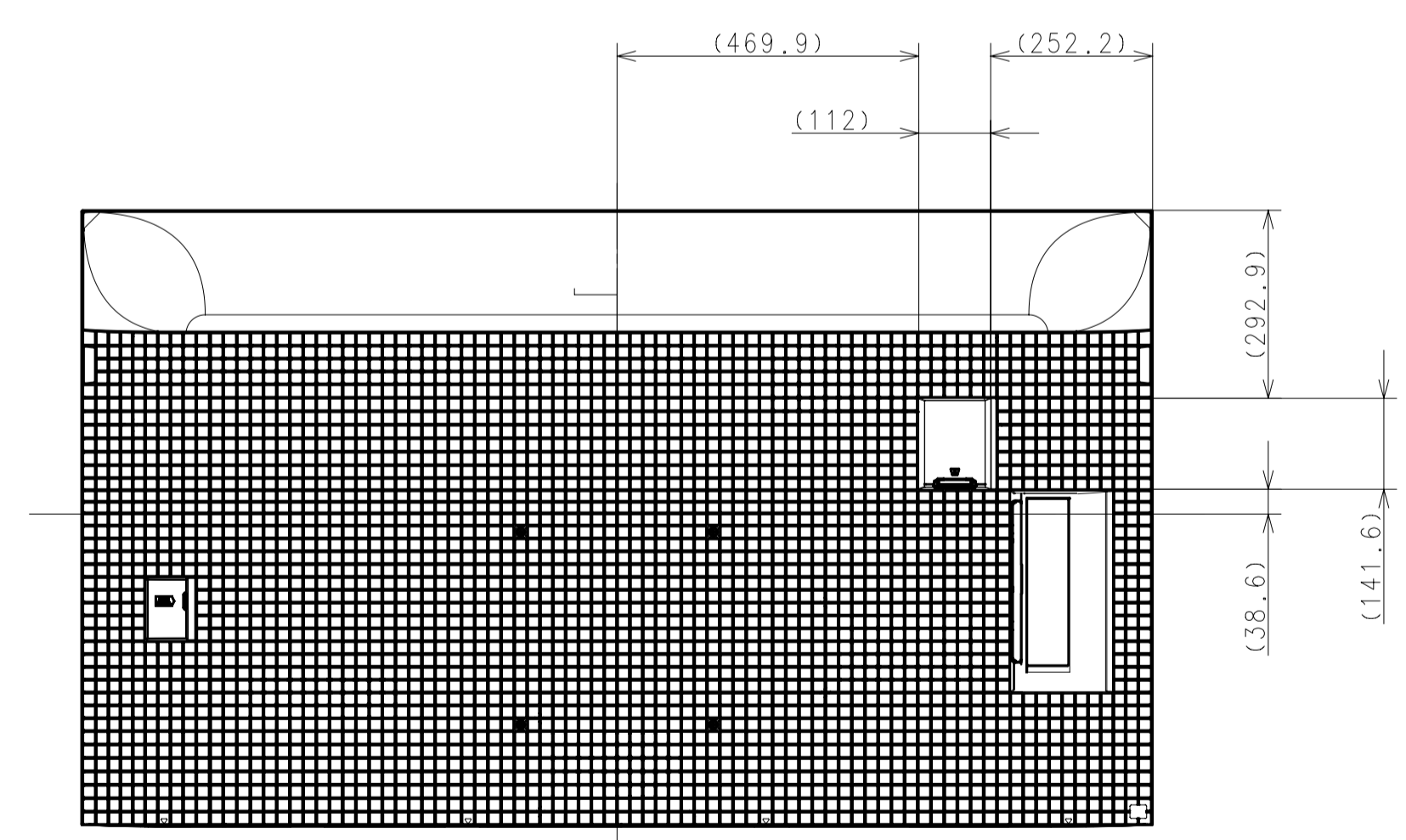
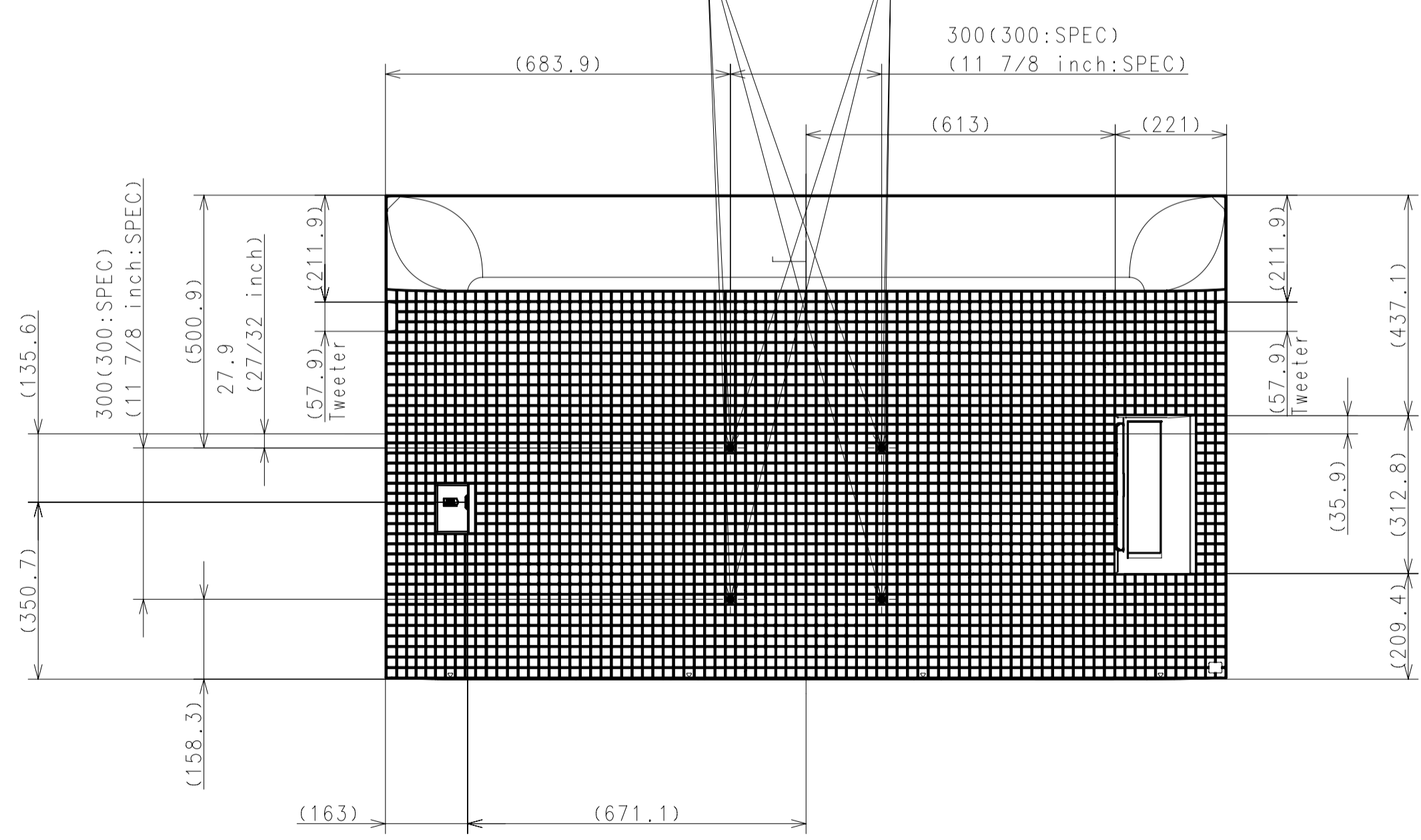
DESCRIPTION 1	LEGAL OWNER	SCALE
75 (XR70) EXTERIOR VIEW	Sony Corporation	1:10
DESCRIPTION 2	PART NO.	SHEET/PAGES
75 (XR70) EXTERIOR VIEW		3 / 6

TV only



M6 HOLES FOR WALL MOUNT BRACKET
*REFER TO INSTRUCTION MANUAL FOR SCREW LENGTH INFORMATION

M6 HOLES FOR SECURING HARDWARE.
(BELT, ROPE OR CHAIN)



FOR EXCEPT
CE1, UKA, RU3, E33, J1, IN5, LA8, AR4, C01

FOR CE1, UKA, RU3, E33

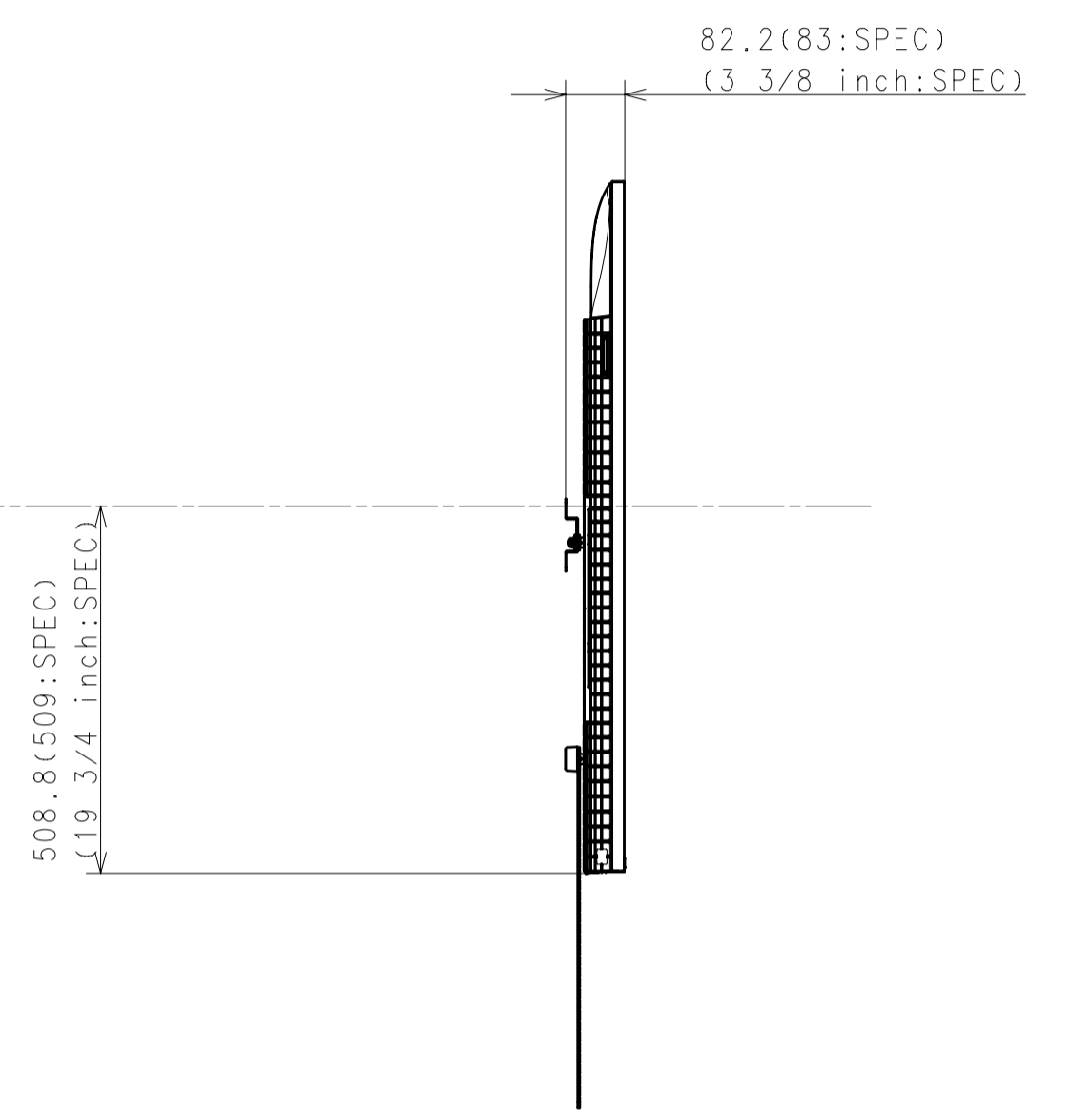
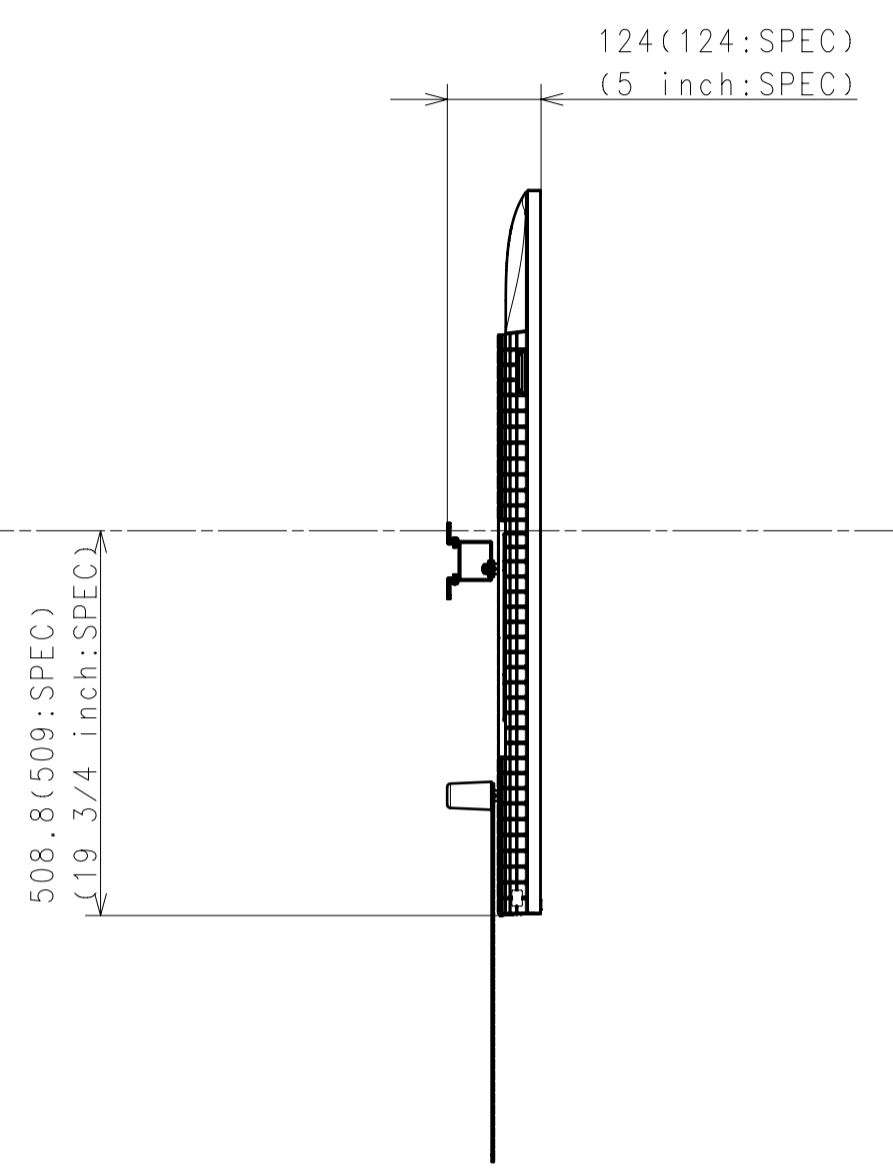
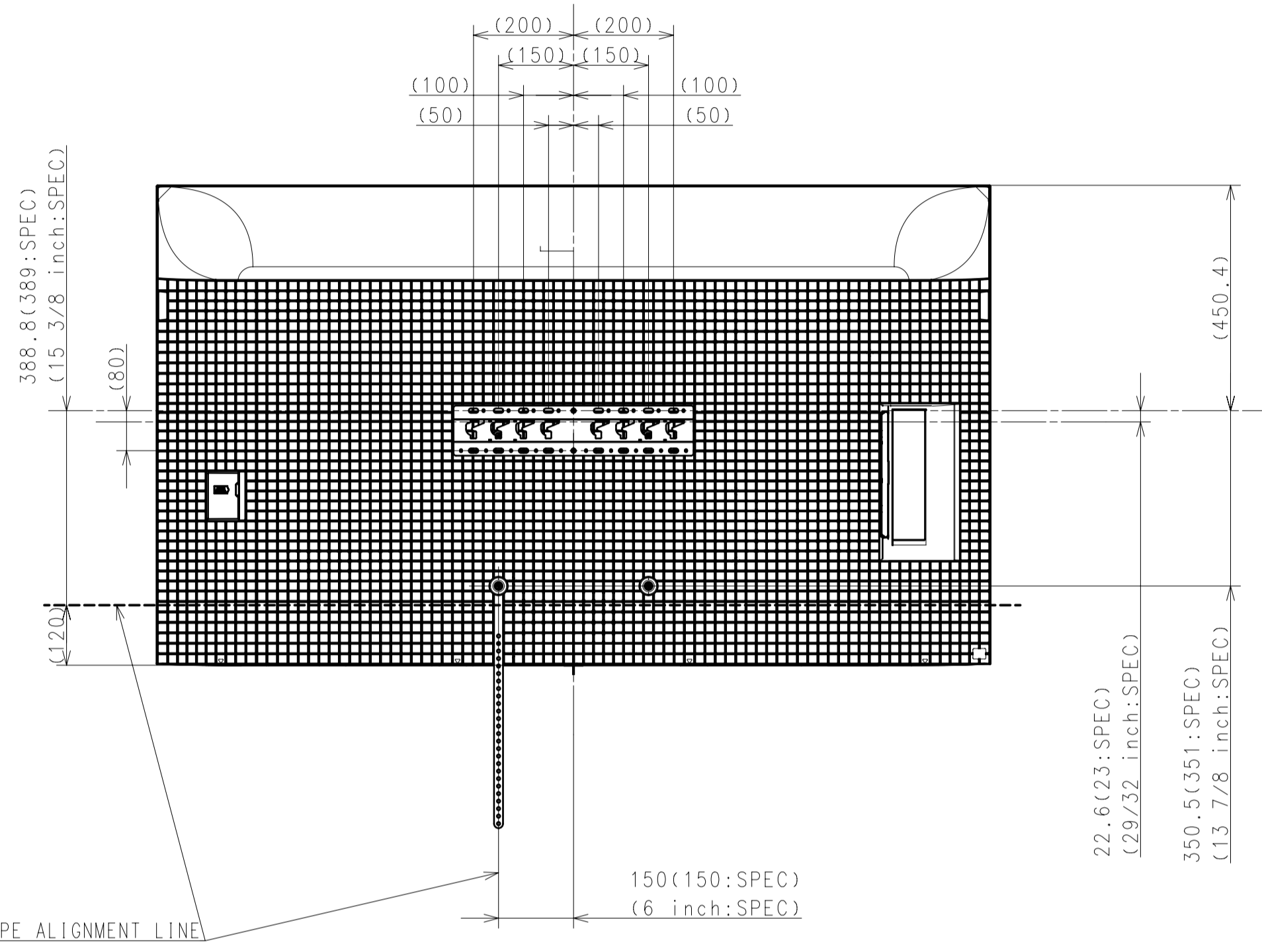
FOR J1, IN5, LA8, AR4, C01

DESCRIPTION 1	LEGAL OWNER	SCALE
75 (XR70) EXTERIOR VIEW	Sony Corporation	1:10
DESCRIPTION 2	PART NO.	SHEET/PAGES
75 (XR70) EXTERIOR VIEW		4 / 6

SU-WL450

STANDARD

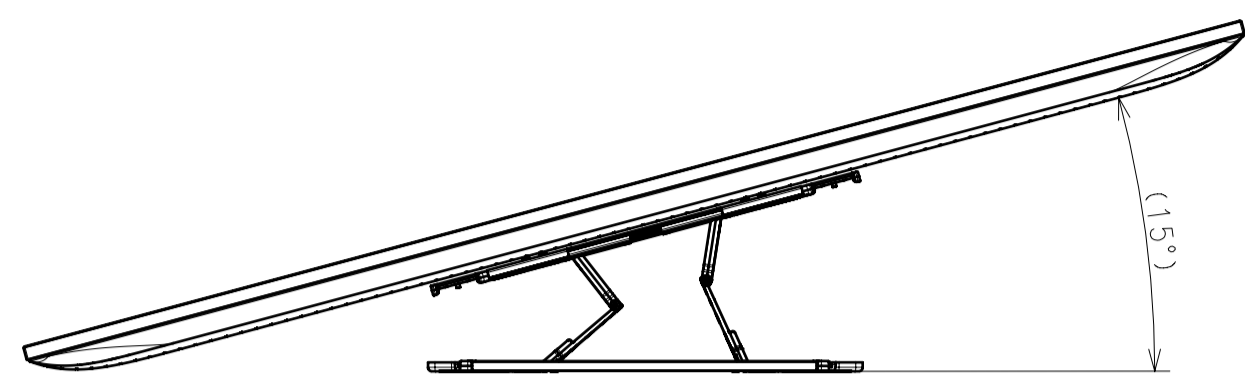
SLIM



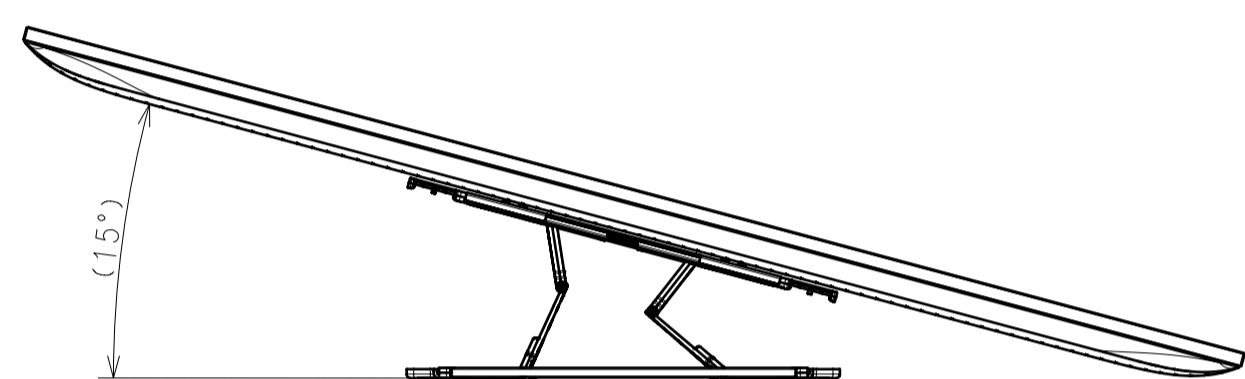
DESCRIPTION 1	75 (XR70) EXTERIOR VIEW	LEGAL OWNER	Sony Corporation	SCALE	1:10
DESCRIPTION 2	75 (XR70) EXTERIOR VIEW	PART NO.		SHEET/PAGES	5/6

1

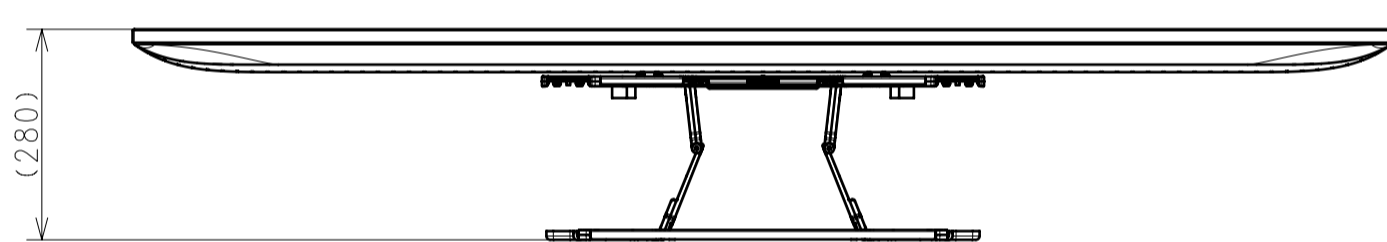
SU-WL900



(15.5°)



(15°)

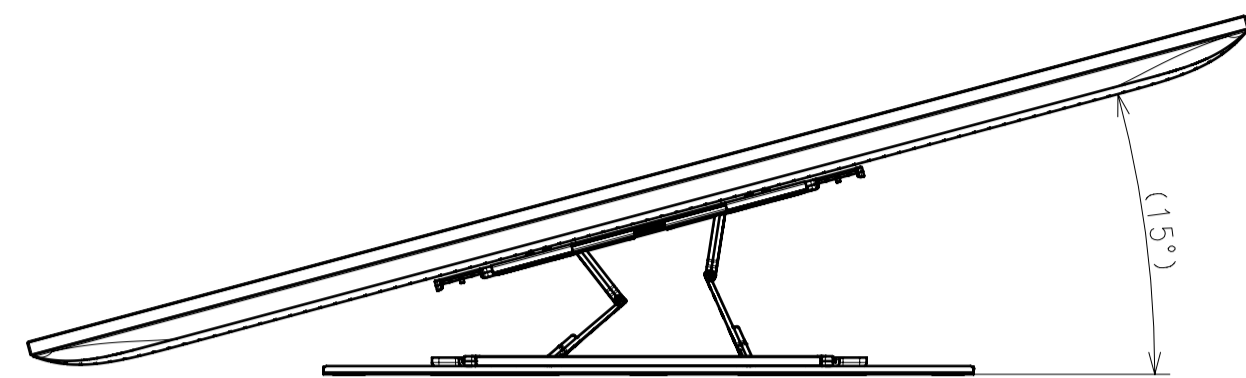


(28.0)

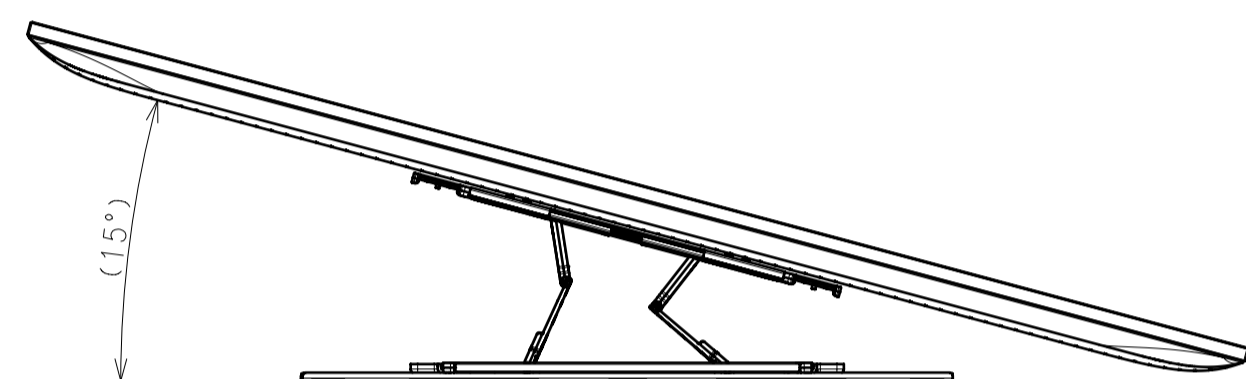


1

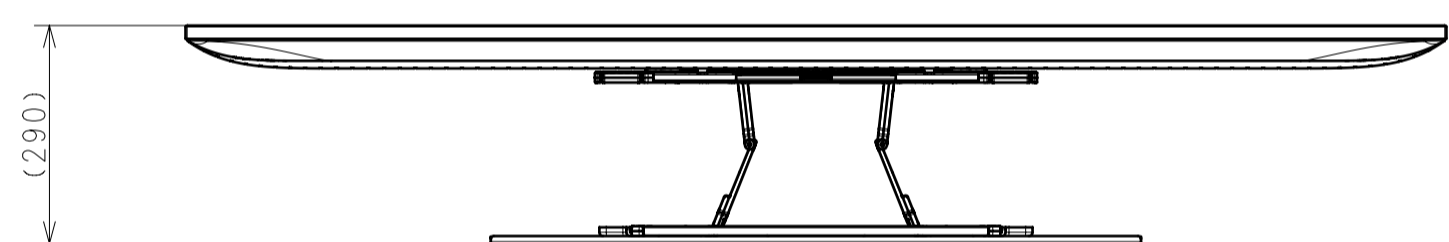
SU-WL905



(15.5°)



(15°)



(29.0)



3 SLIM

74.7 (75: SPEC)
(3 inch: SPEC)

3 STANDARD

87.7 (88: SPEC)
(3 1/2 inch: SPEC)

391.9 (392: SPEC)
(15 1/2 inch: SPEC)

391.9 (392: SPEC)
(15 1/2 inch: SPEC)

3 4

84.7 (85: SPEC)
(3 3/8 inch: SPEC)

3 4

476 (476: SPEC)
(18 3/4 inch: SPEC)

94.4 (95: SPEC)
(3 3/4 inch: SPEC)

(225.8) (225.8)

(567.3)

(81.5) (81.5)

(412.8) (412.8)
(123.2) (123.2)

10.3 (11: SPEC)
(7/16 inch: SPEC)

(483.2)

(245)

DESCRIPTION 1	75 (XR70) EXTERIOR VIEW	LEGAL OWNER	Sony Corporation	SCALE	1:10
DESCRIPTION 2	75 (XR70) EXTERIOR VIEW	PART NO.		SHEET/PAGES	6 / 6