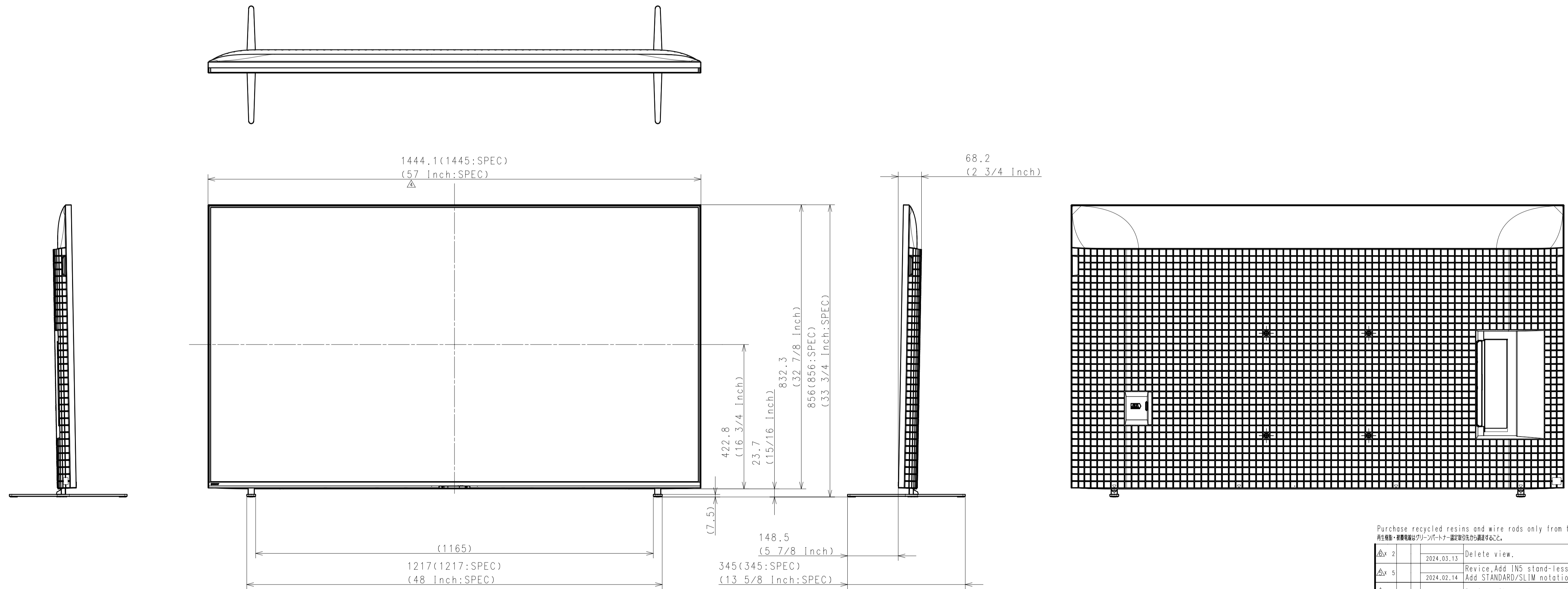


Area	JAPAN	NORTH AMERICA	NORTH AMERICA DERIVATIVE	EUROPE	GENERAL AREA + IN5 stand models	CHINA	IN5 Stand-less
Model Name	K-65XR70	K-65XR70	K-65XR70C	K-65XR70	K-65XR70	K-65XR70	K-65XR70
SV No.	SV-42094	SV-42009	SV-42103	SV-42090	SV-42033	SV-42080	SV-42044
TV only (W x H x D)	144.5 x 83.2 x 5.7 (4.27) cm	1445 x 832 x 57 (42.7) mm / 57 x 32 7/8 x 2 1/4 (1 11/16) inch	1445 x 832 x 57 (42.7) mm / 57 x 32 7/8 x 2 1/4 (1 11/16) inch	Approx. 144.5 x 83.2 x 5.7 (4.27) cm	Approx. 1445 x 832 x 57 (42.7) mm	Approx. 1445 x 832 x 57 (42.7) mm	Approx. 1445 x 832 x 57 (42.7) mm
TV only with camera (W x H x D)	-	-	-	-	-	-	-
TV with Stand (Outside) (W x H x D)	144.5 x 85.6 x 34.5 cm	1445 x 856 x 345 mm / 57 x 33 3/4 x 13 5/8 inch	1445 x 856 x 345 mm / 57 x 33 3/4 x 13 5/8 inch	Approx. 144.5 x 85.6 x 34.5 cm	Approx. 1445 x 856 x 345 mm	Approx. 1445 x 856 x 345 mm	-
TV with Stand (Inside) (W x H x D)	144.5 x 85.6 x 34.5 cm	1445 x 856 x 345 mm / 57 x 33 3/4 x 13 5/8 inch	1445 x 856 x 345 mm / 57 x 33 3/4 x 13 5/8 inch	Approx. 144.5 x 85.6 x 34.5 cm	Approx. 1445 x 856 x 345 mm	Approx. 1445 x 856 x 345 mm	-
TV with Stand (Outside for Soundbar) (W x H x D)	144.5 x 91.0 x 34.5 cm	1445 x 910 x 345 mm / 57 x 35 7/8 x 13 5/8 inch	1445 x 910 x 345 mm / 57 x 35 7/8 x 13 5/8 inch	Approx. 144.5 x 91.0 x 34.5 cm	Approx. 1445 x 910 x 345 mm	Approx. 1445 x 910 x 345 mm	-
TV with Stand (Inside for Soundbar) (W x H x D)	144.5 x 91.0 x 34.5 cm	1445 x 910 x 345 mm / 57 x 35 7/8 x 13 5/8 inch	1445 x 910 x 345 mm / 57 x 35 7/8 x 13 5/8 inch	Approx. 144.5 x 91.0 x 34.5 cm	Approx. 1445 x 910 x 345 mm	Approx. 1445 x 910 x 345 mm	-
TV with Stand (Front position style) (W x H x D)	-	-	-	-	-	-	-
TV with Stand (Back position style) (W x H x D)	-	-	-	-	-	-	-
TV with Floor Stand (W x H x D)	-	-	-	-	-	-	-
Stand Width (Outside)	121.7 cm	1217 mm / 48 inch	1217 mm / 48 inch	Approx. 121.7 cm	Approx. 1217 mm	Approx. 1217 mm	-
Stand Width (Inside)	48.0 cm	480 mm / 19 inch	480 mm / 19 inch	Approx. 48.0 cm	Approx. 480 mm	Approx. 480 mm	-
Stand Width (Outside for Soundbar)	121.7 cm	1217 mm / 48 inch	1217 mm / 48 inch	Approx. 121.7 cm	Approx. 1217 mm	Approx. 1217 mm	-
Stand Width (Inside for Soundbar)	48.0 cm	480 mm / 19 inch	480 mm / 19 inch	Approx. 48.0 cm	Approx. 480 mm	Approx. 480 mm	-
Stand Width (Front position style)	-	-	-	-	-	-	-
Stand Width (Back position style)	-	-	-	-	-	-	-
Floor Stand Width	-	-	-	-	-	-	-
VESA Hole Pitch	30.0 x 30.0 cm	300 x 300 mm / 11 7/8 x 11 7/8 inch	300 x 300 mm / 11 7/8 x 11 7/8 inch	30.0 x 30.0 cm	300 x 300 mm	300 x 300 mm	300 x 300 mm
TV Only	27.1 kg Δ	27.1 kg / 59.7 lb Δ	27.1 kg / 59.7 lb Δ	Approx. 27.1 kg Δ	Approx. 27.1 kg Δ	Approx. 27.1 kg Δ	Approx. 27.1 kg
TV with Stand (Outside)	28.3 kg Δ	28.3 kg / 62.4 lb Δ	28.3 kg / 62.4 lb Δ	Approx. 28.3 kg Δ	Approx. 28.3 kg Δ	Approx. 28.3 kg Δ	-
TV with Stand (Inside)	28.3 kg Δ	28.3 kg / 62.4 lb Δ	28.3 kg / 62.4 lb Δ	Approx. 28.3 kg Δ	Approx. 28.3 kg Δ	Approx. 28.3 kg Δ	-
TV with Stand (Outside for Soundbar)	28.3 kg Δ	28.3 kg / 62.4 lb Δ	28.3 kg / 62.4 lb Δ	Approx. 28.3 kg Δ	Approx. 28.3 kg Δ	Approx. 28.3 kg Δ	-
TV with Stand (Inside for Soundbar)	28.3 kg Δ	28.3 kg / 62.4 lb Δ	28.3 kg / 62.4 lb Δ	Approx. 28.3 kg Δ	Approx. 28.3 kg Δ	Approx. 28.3 kg Δ	-
TV with Stand (Front/Back position style)	-	-	-	-	-	-	-
TV with Floor Stand	-	-	-	-	-	-	-
Floor Stand weight (Supply)	-	-	-	-	-	-	-
W-M't Br. Weight (Supply)	-	-	-	-	-	-	-
Remarks	4way	4way	4way	4way	4way	4way	-

TV with Stand (Outside)

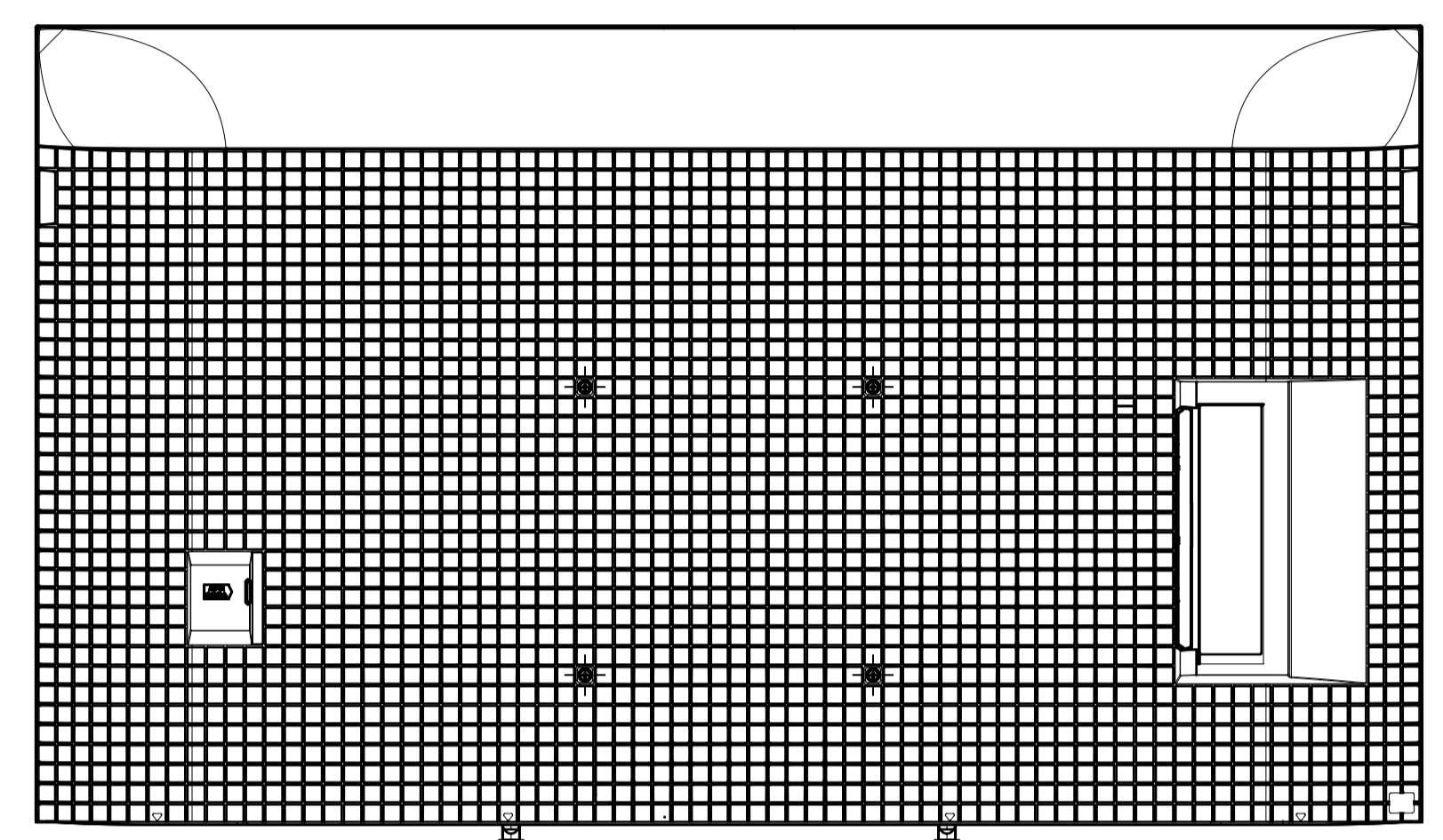
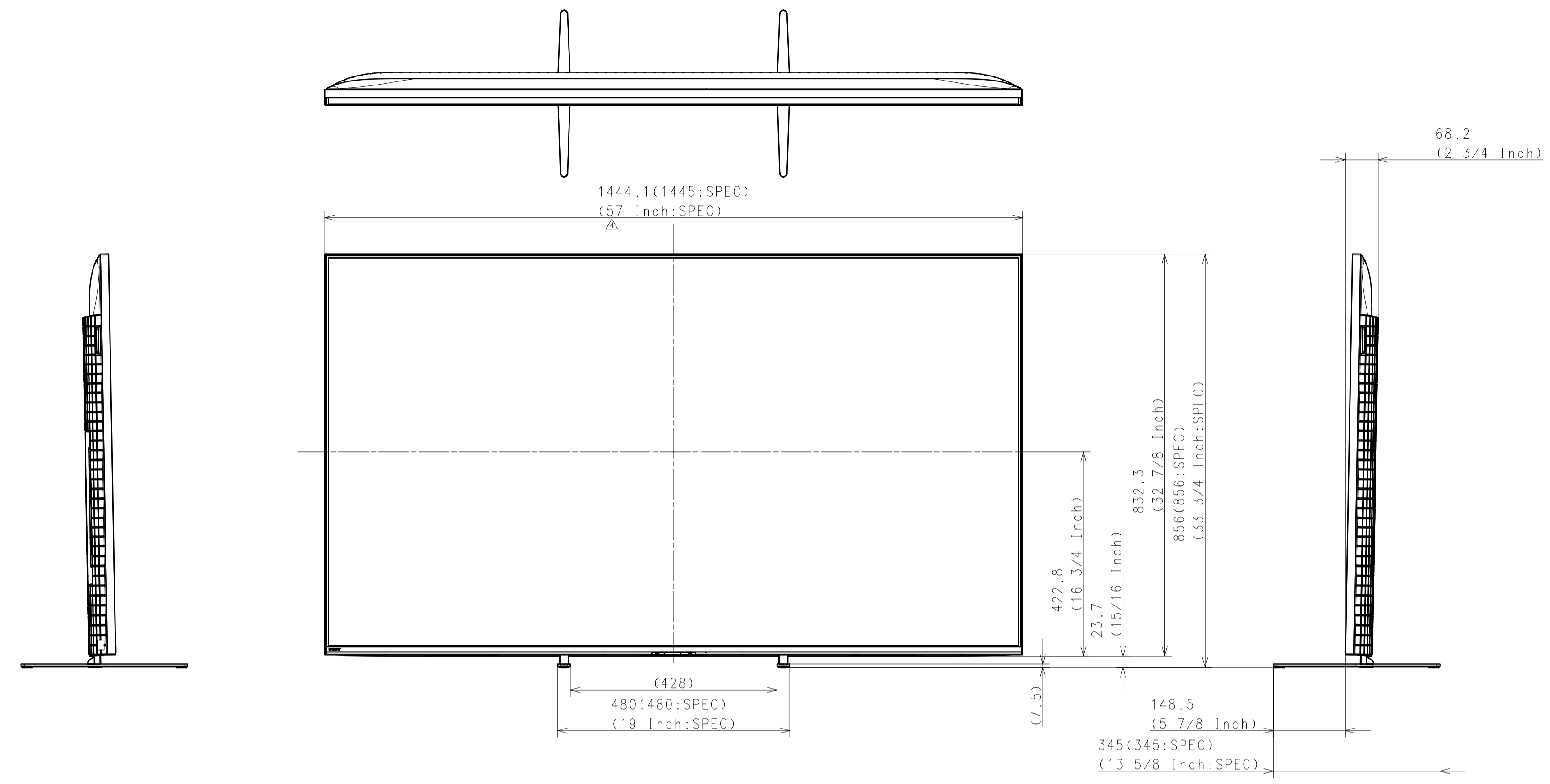


Purchase recycled resins and wire rods only from the business partners that Sony approves as Green Partners.
 再生樹脂・電線鋼材のみ-ソルト-認定事業者の調達を心がけ。

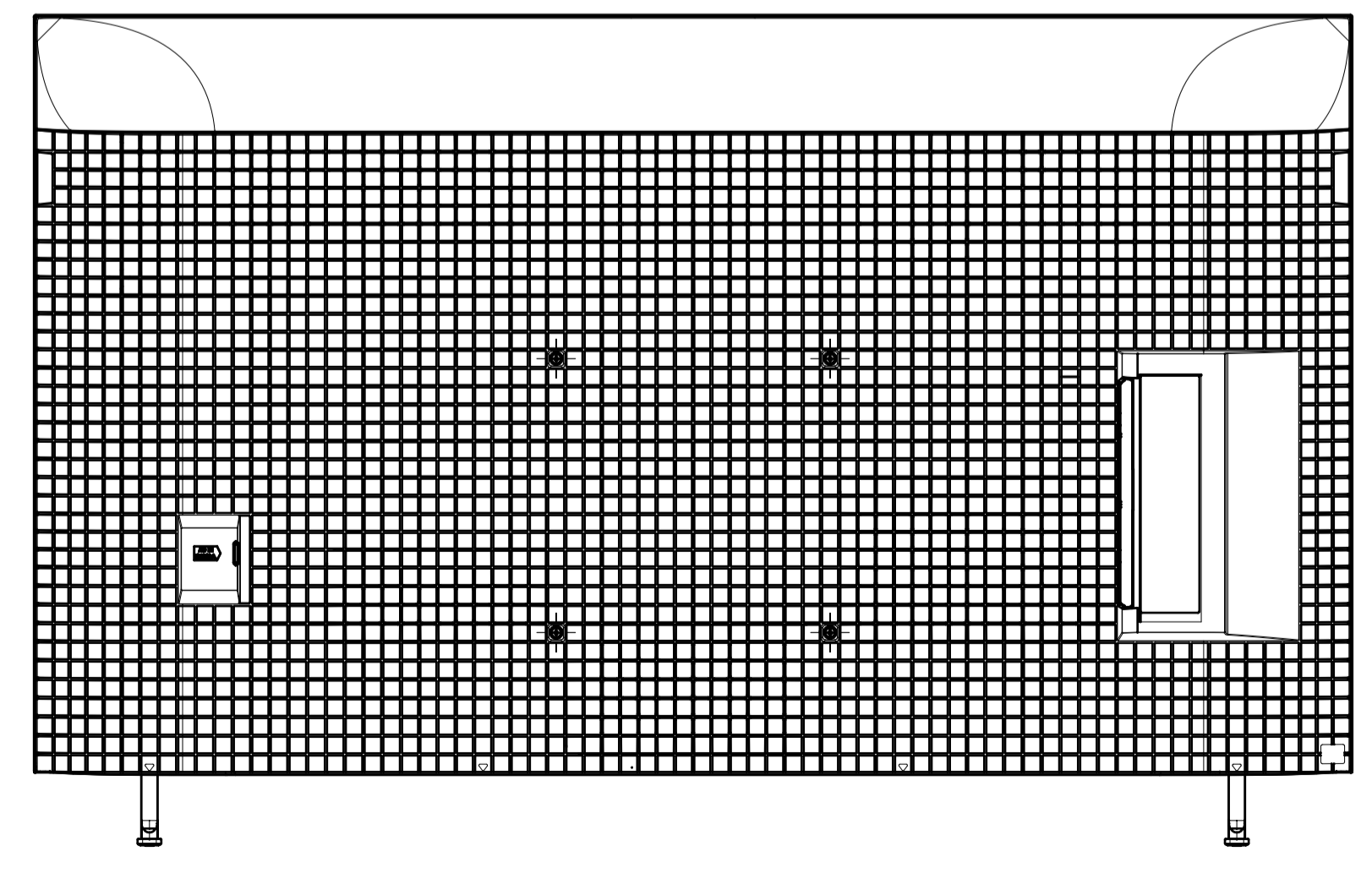
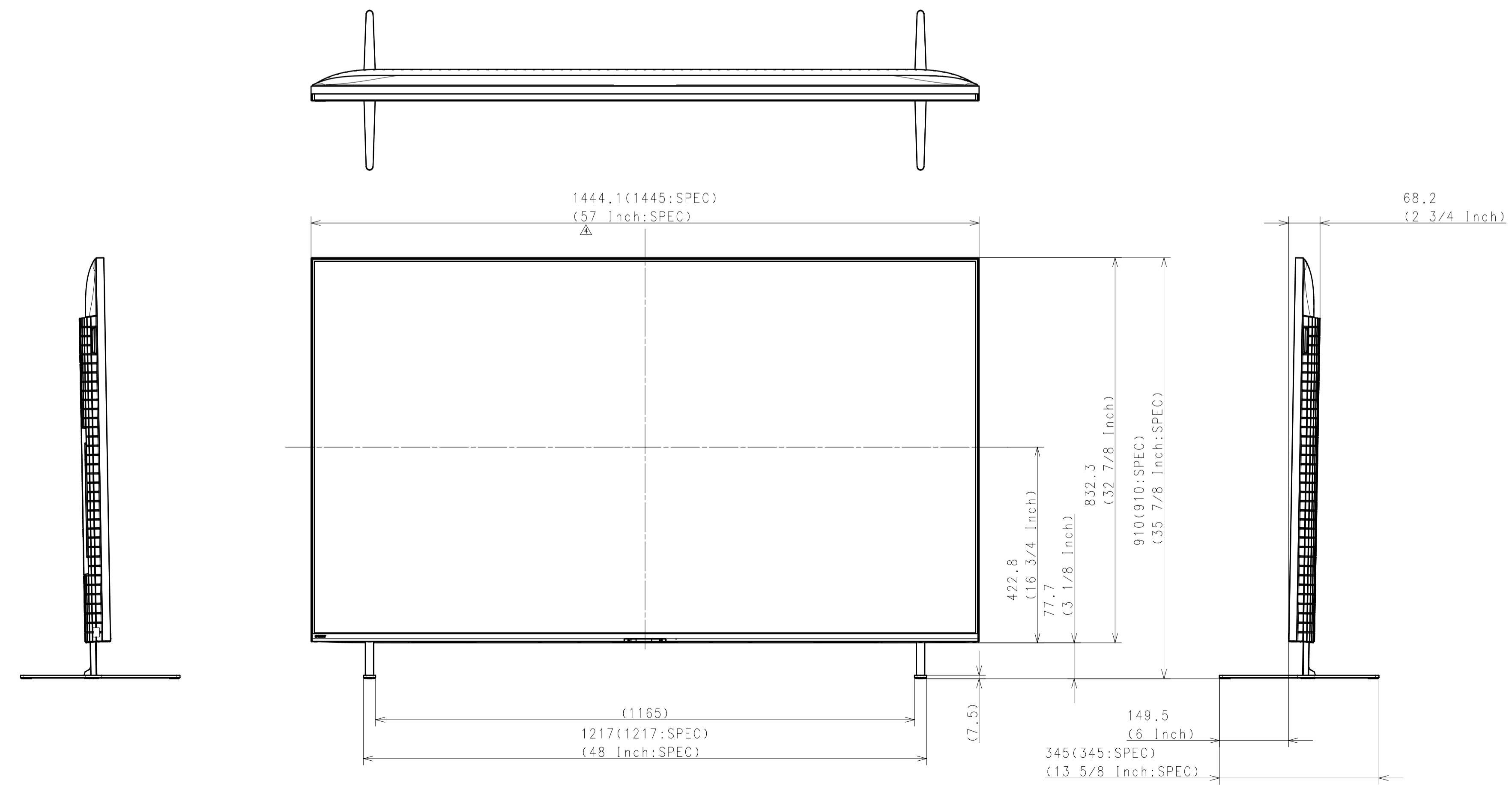
REV.	DATE	DESCRIPTION	APPROVED BY
2	2024.03.13	Delete view.	Shogo Fukuda
5	2024.02.14	Revise, Add IN5 stand-less area. Add STANDARD/SLIM notation.	Shogo Fukuda
8	2024.01.16	Revise, Change to correct.	Shogo Fukuda
1	2024.01.11	Revise, Change to correct.	Shogo Fukuda
1	2024.01.09	Revise, Add dimension to sheet4.	Shogo Fukuda
32	2023.12.22	Revise, Changed to correct weight. Add WL900/WL905 View.	Shogo Fukuda

HISTORY & COUNT	SUFFIX (REV. NO., REV.)	RELEASE NO. DATE	REVISION	SIGN.
LEGAL OWNER	Sony Corporation			
RESPONSIBLE DEPARTMENT	PTC MD div1 MD dept1		ORIGINAL MODEL	DESCRIPTION
PLANNED BY	DESIGNED BY	APPROVED BY	SCALE	TENTATIVE MODEL
2023.09.26	Shogo Fukuda		1:7	65(XR70) EXTERIOR VIEW
DRAWN BY	SIZE	UNIT	PAPER NO.	SUFFIX
2023.09.26	A1	mm		REV. NO. SHEET/PAGES
Shogo Fukuda				1 / 7

TV with Stand (Inside)

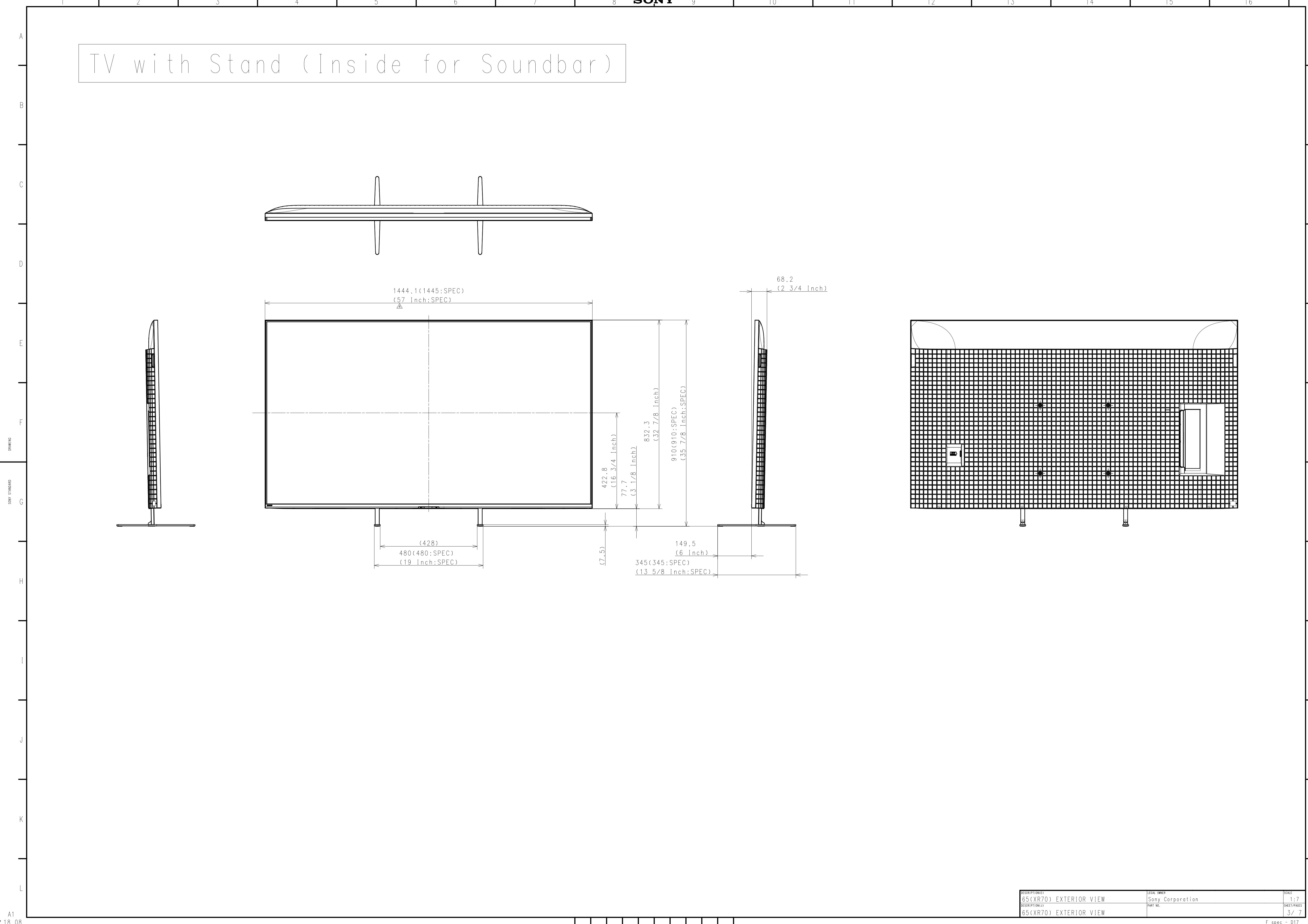


TV with Stand (Outside for Soundbar)



DESCRIPTION 1	LEGAL OWNER	SCALE
65(XR70) EXTERIOR VIEW	Sony Corporation	1:7
DESCRIPTION 2	PART NO.	SHEET/PAGES
65(XR70) EXTERIOR VIEW		2 / 7

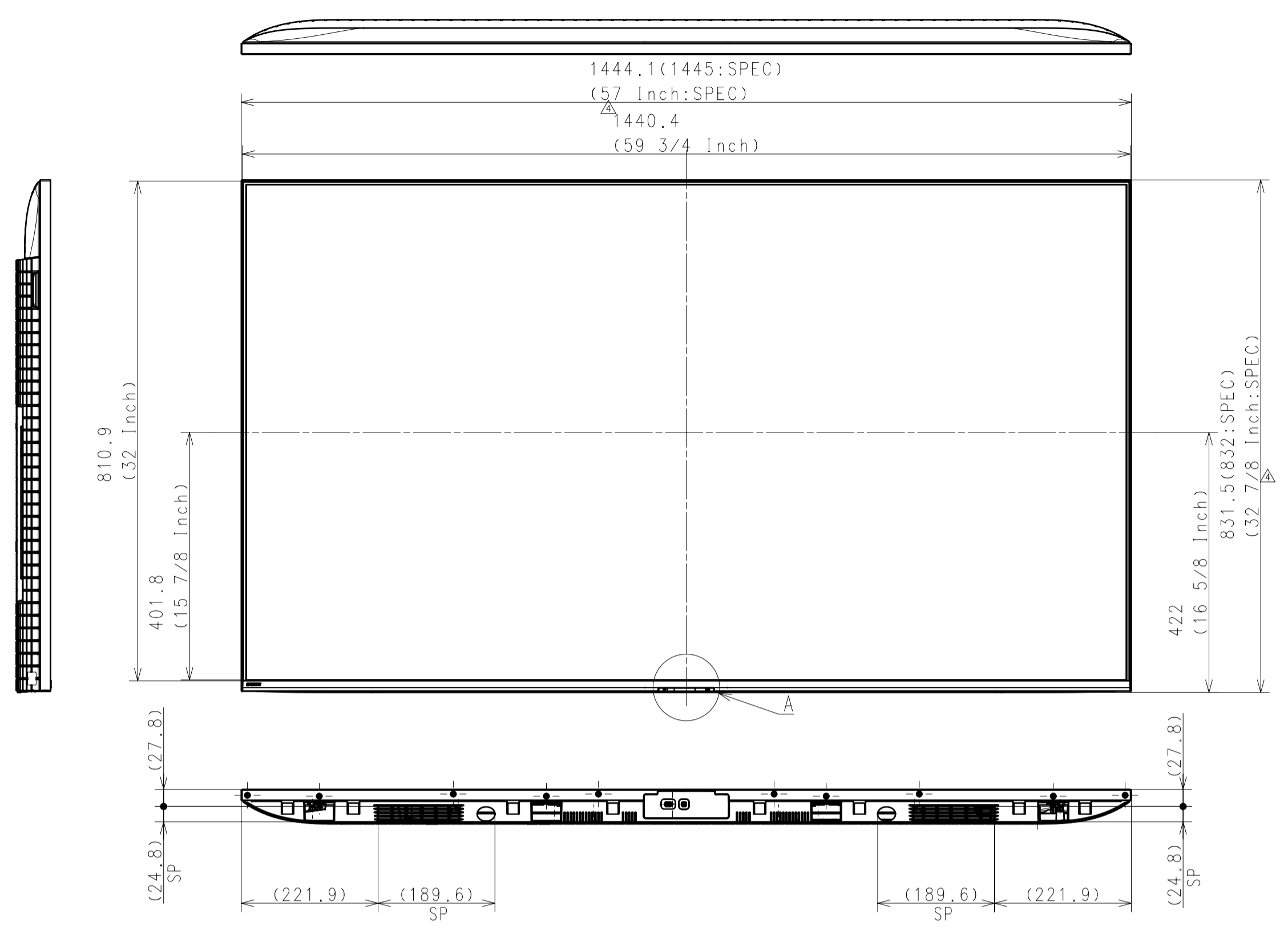
TV with Stand (Inside for Soundbar)



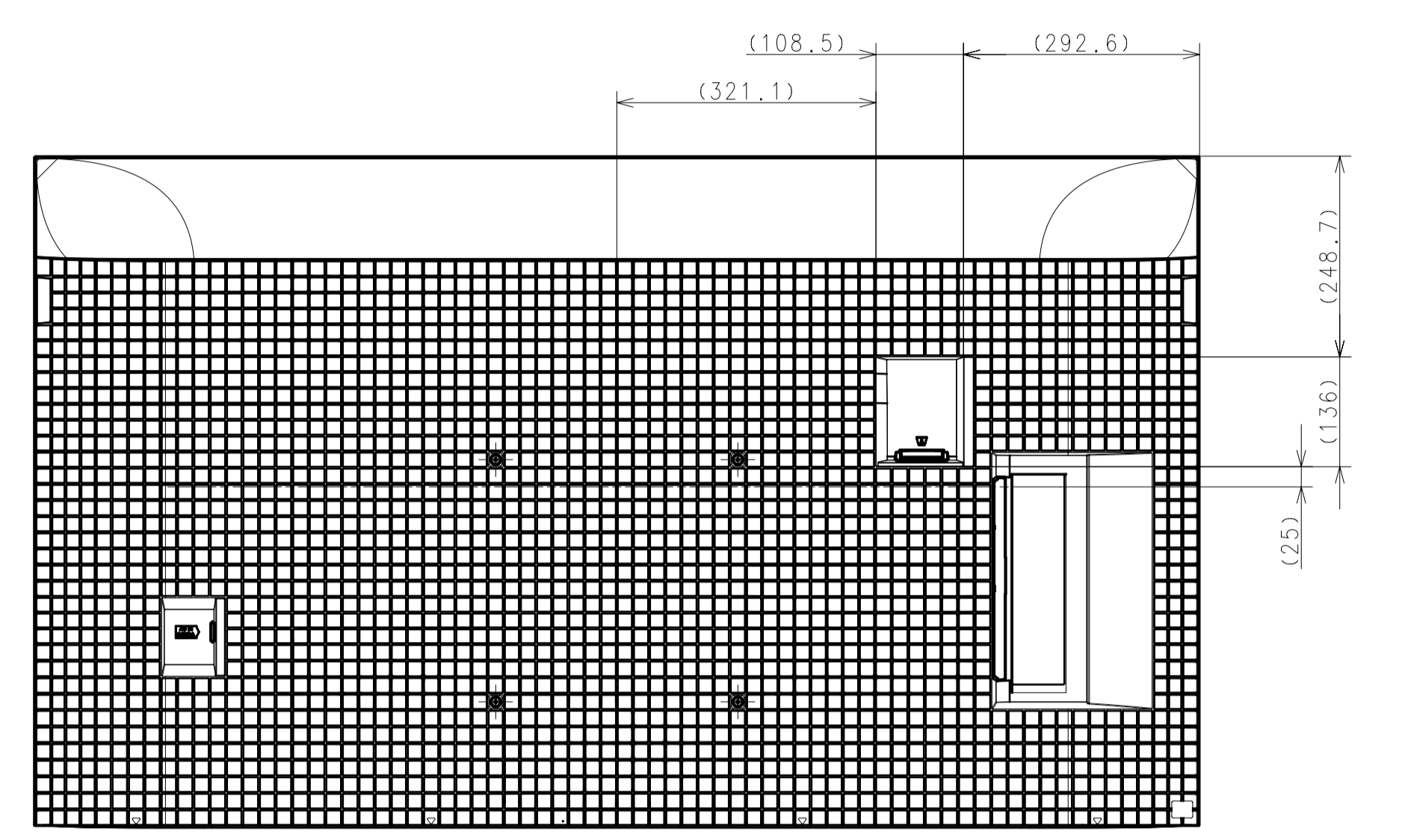
SONY STANDARD
DRAWING

DESCRIPTION1 65(XR70) EXTERIOR VIEW	LEGAL OWNER Sony Corporation	SCALE 1:7
DESCRIPTION2 65(XR70) EXTERIOR VIEW	PART NO.	SHEET/PAGES 3/7

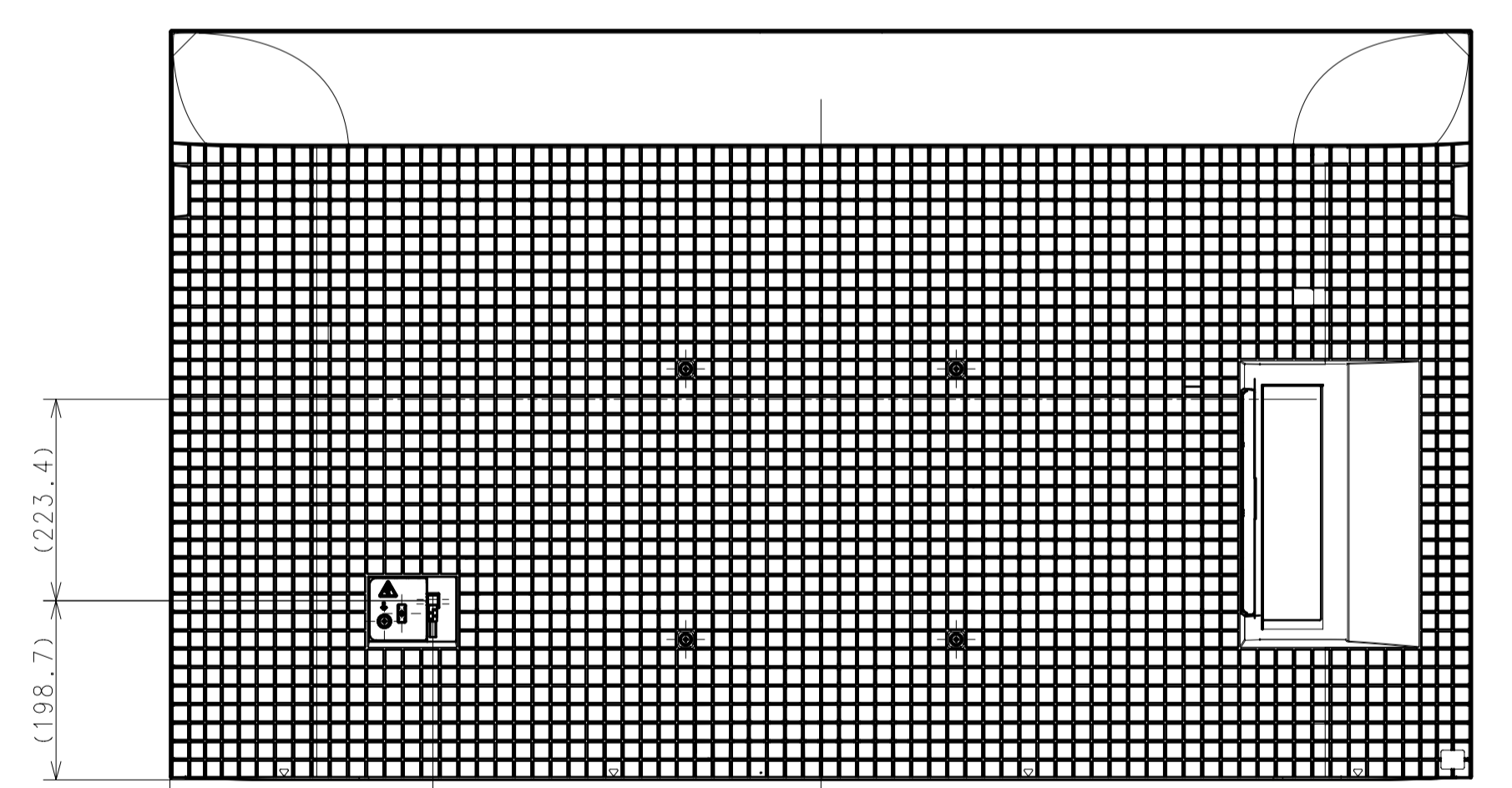
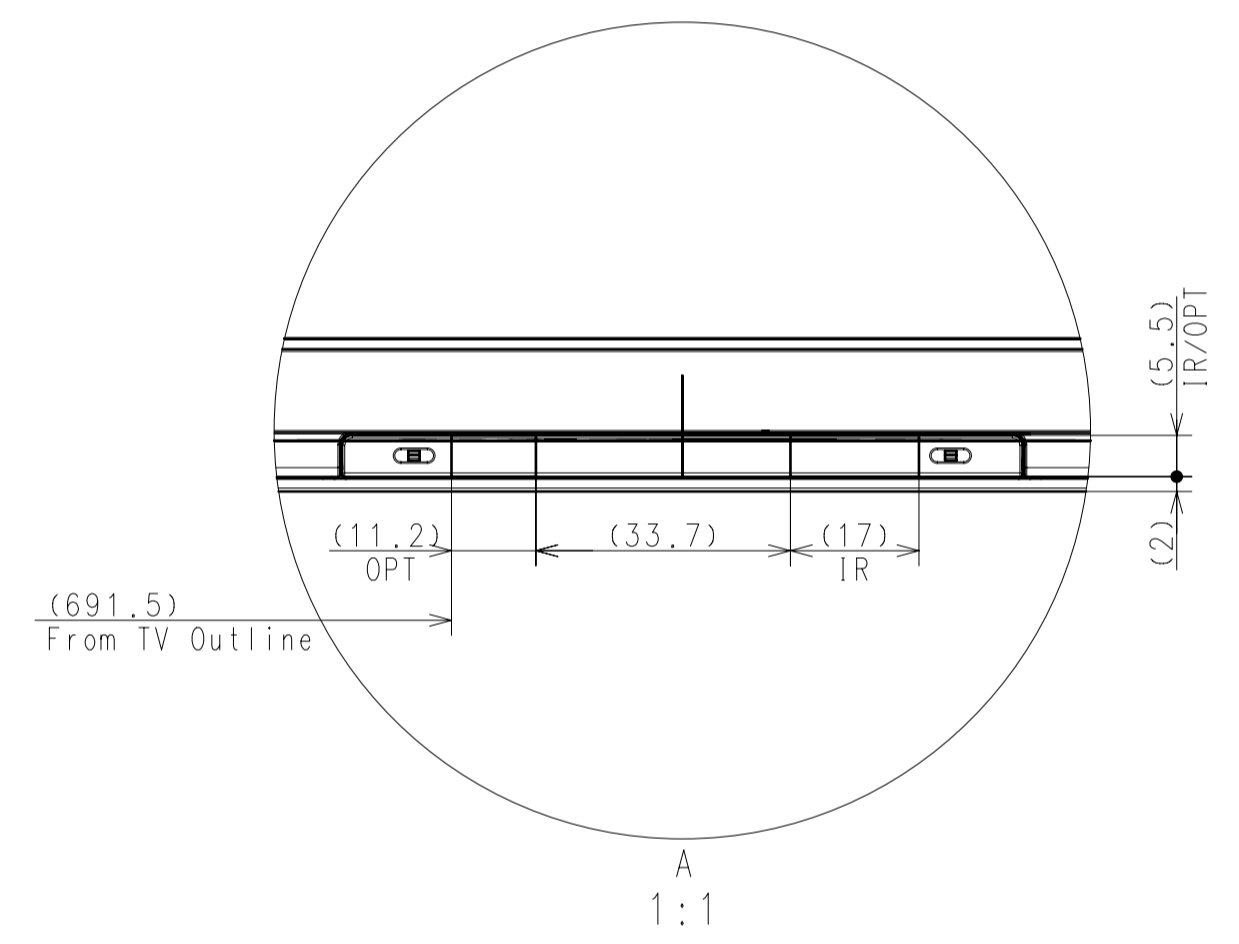
TV only



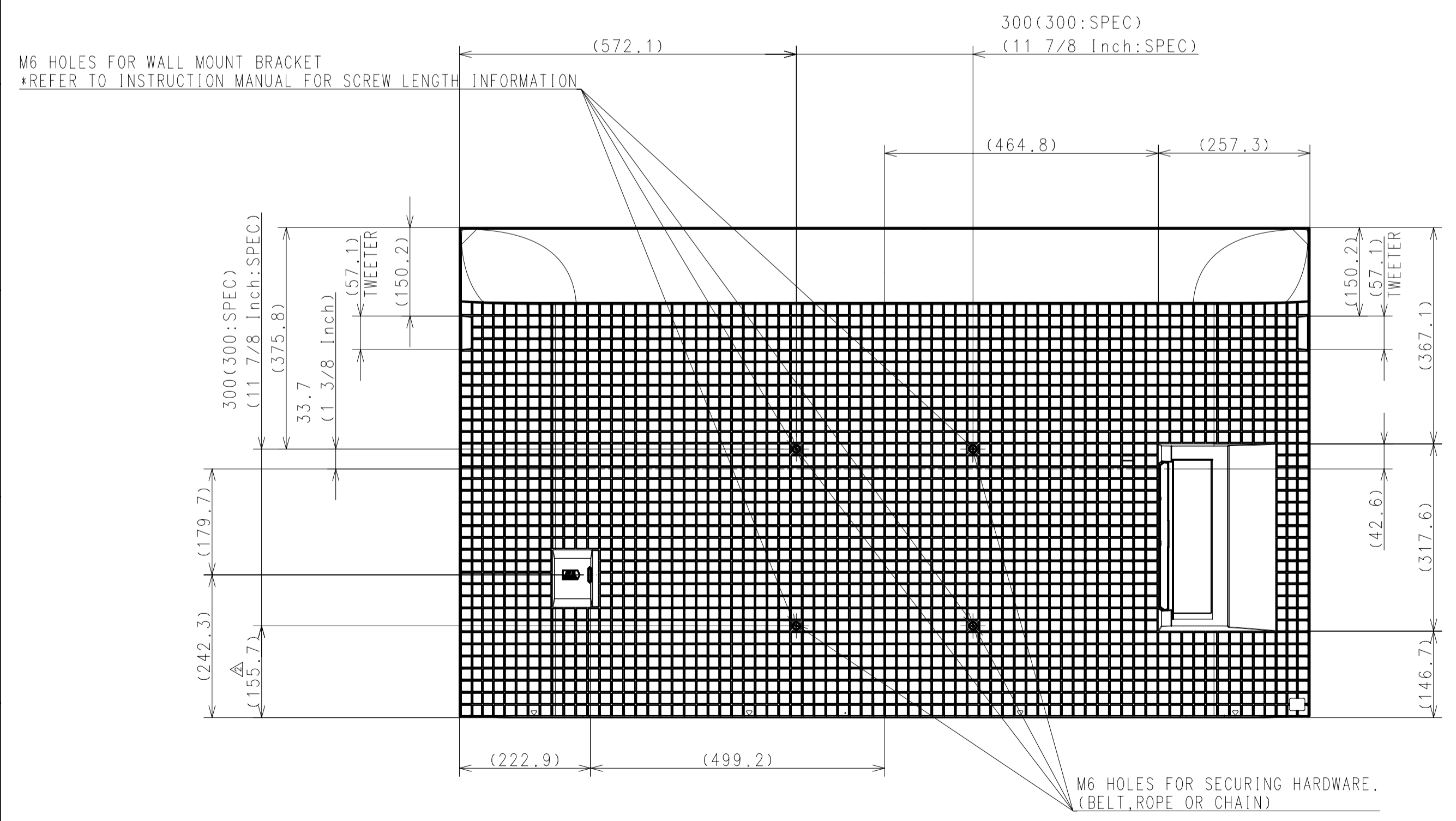
56.1 (57:SPEC)
 (2 1/4 inch:SPEC)
 42.7 (42.7:SPEC)
 (1 11/16 inch:SPEC)



FOR CEI, UKA, RU3, E33



FOR J1, IN5, LA8, AR4, C01



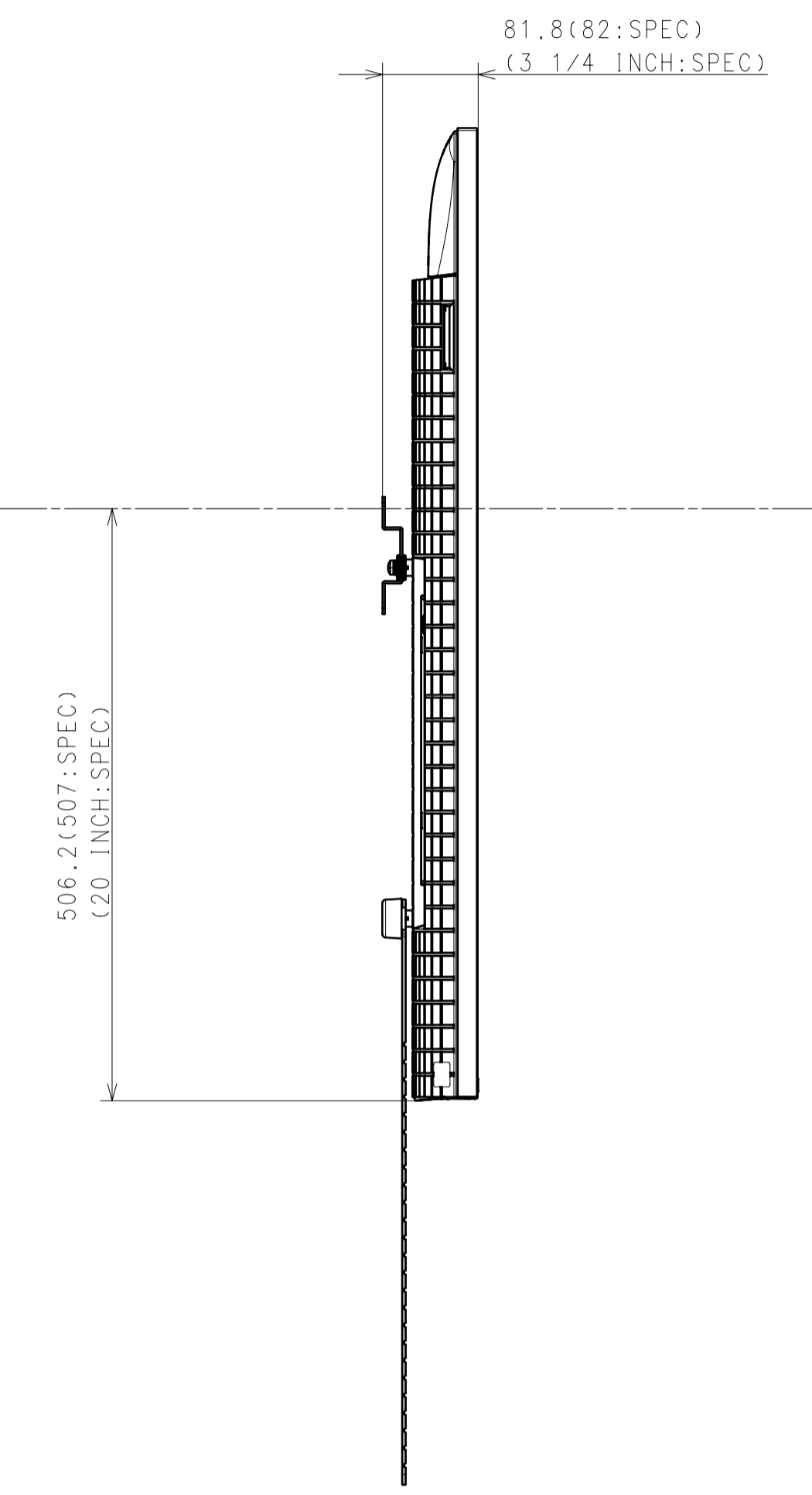
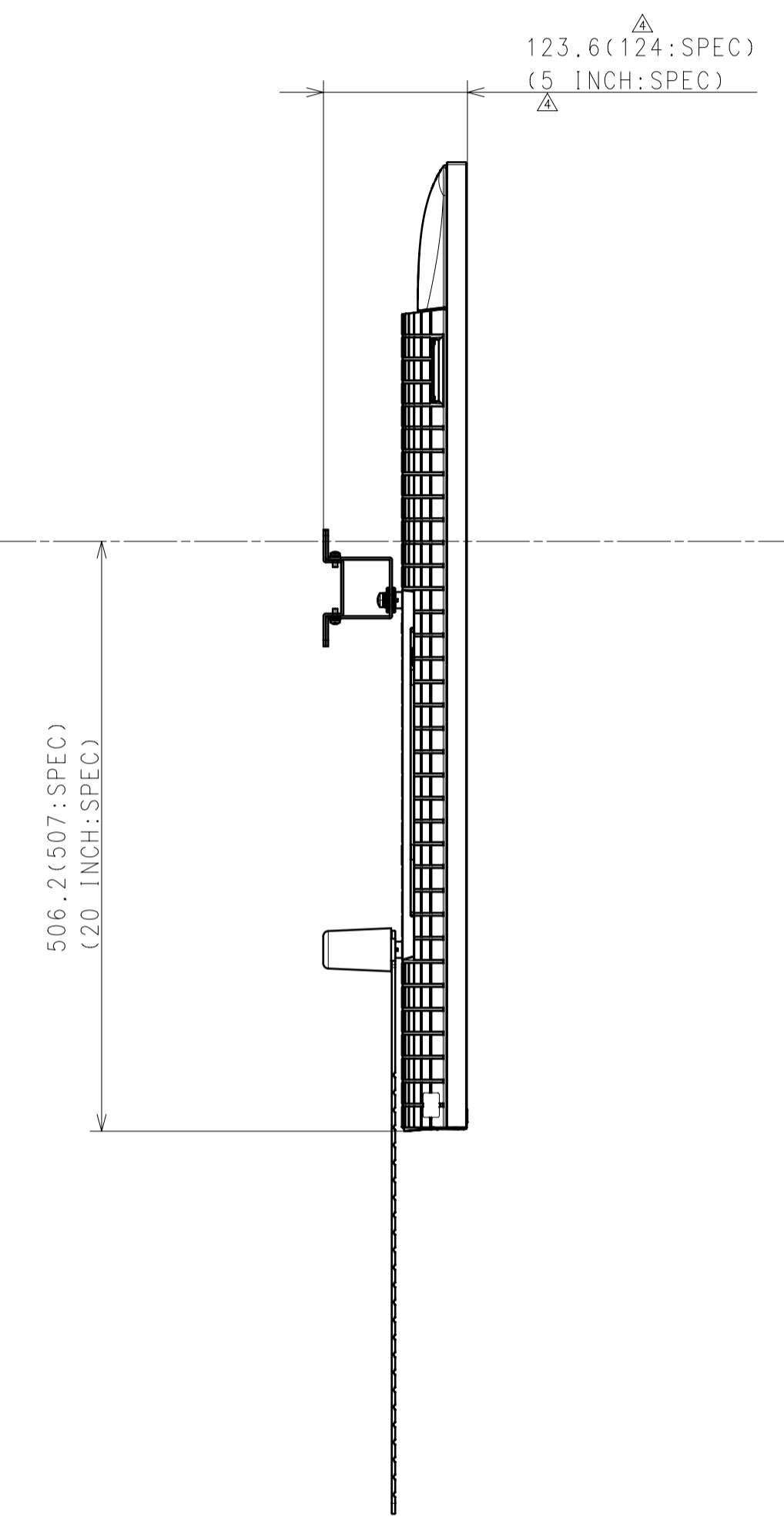
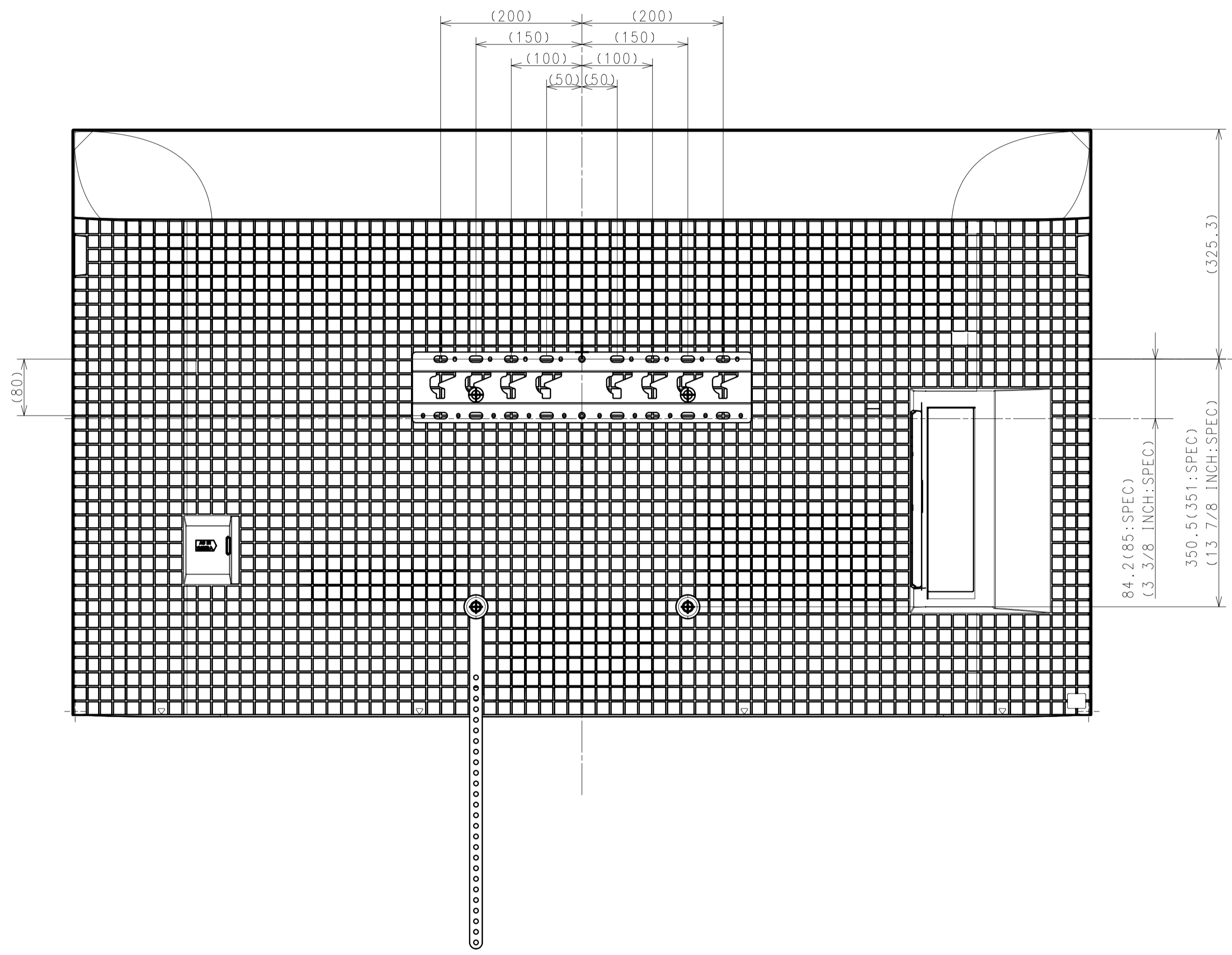
FOR EXCEPT
 CEI, UKA, RU3, E33, J1, IN5, LA8, AR4, C01

DESCRIPTION 1	LEGAL OWNER	SCALE
65(XR70) EXTERIOR VIEW	Sony Corporation	1:7
DESCRIPTION 2	PART NO.	SHEET/PAGES
65(XR70) EXTERIOR VIEW		4 / 7

SU-WL450

STANDARD

SLIM

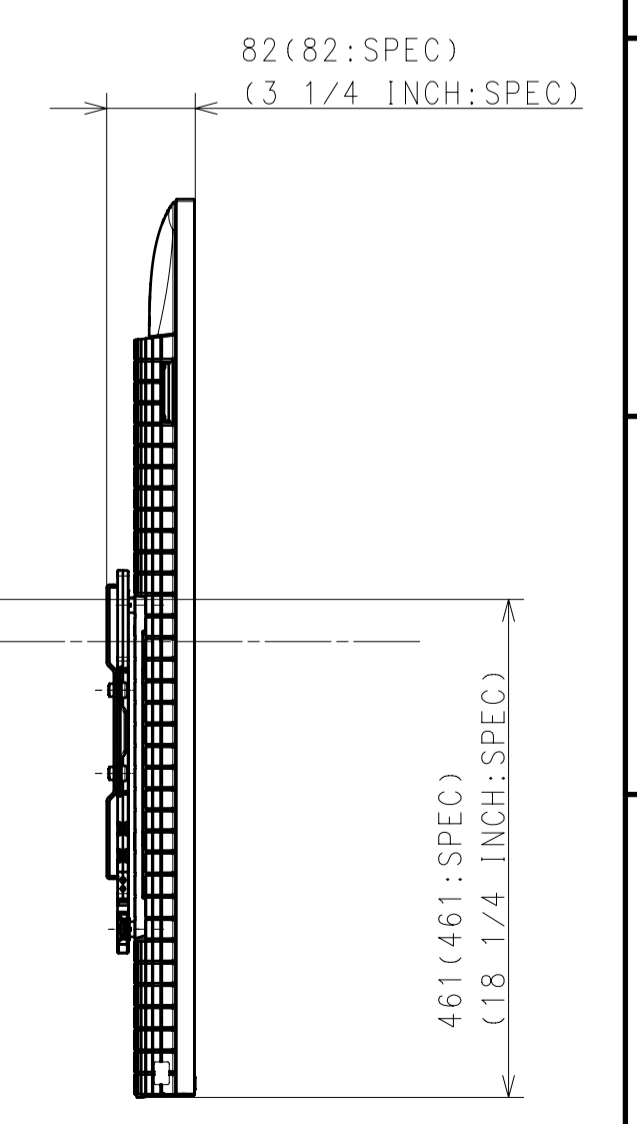
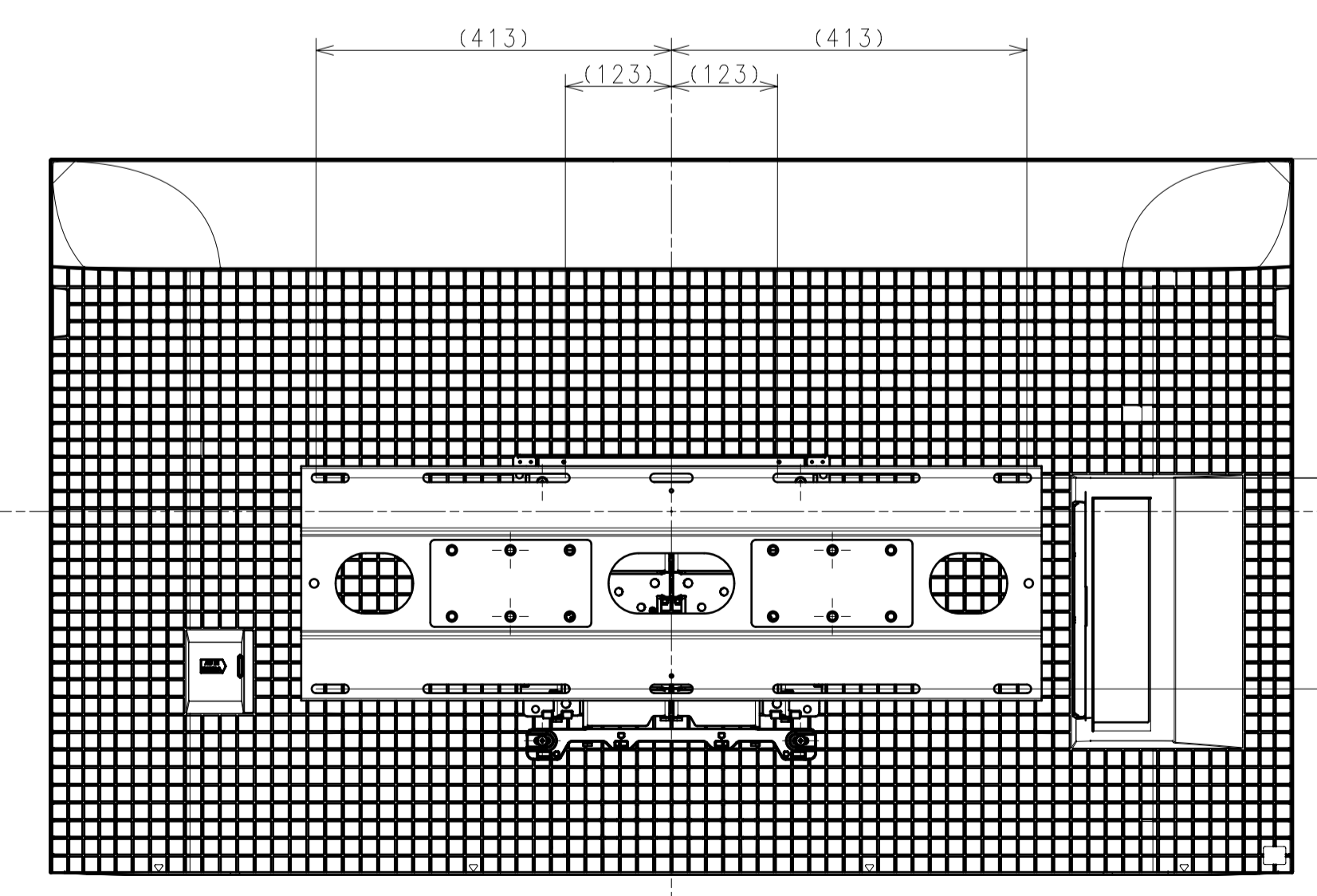
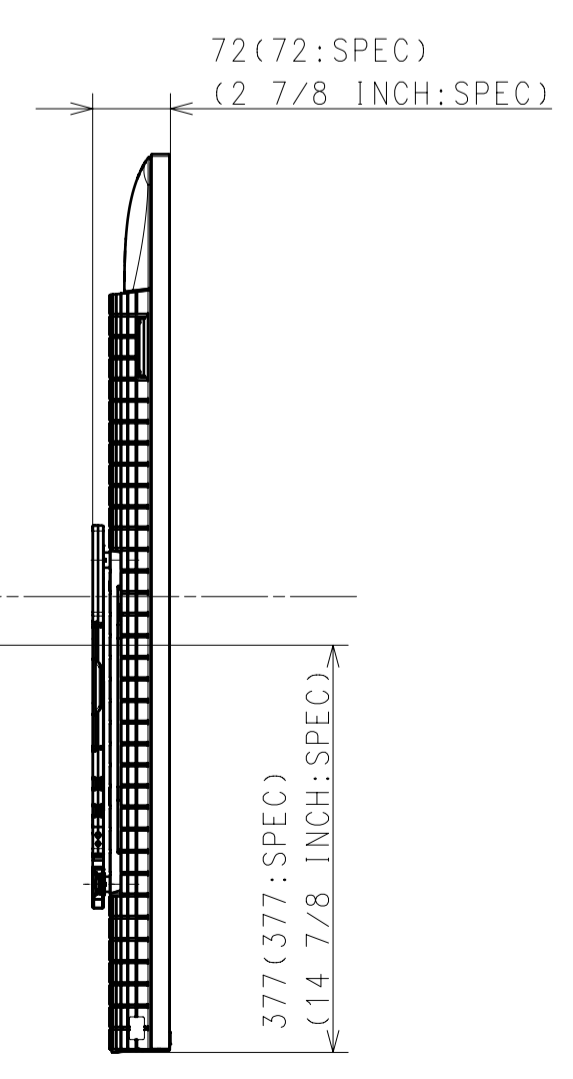
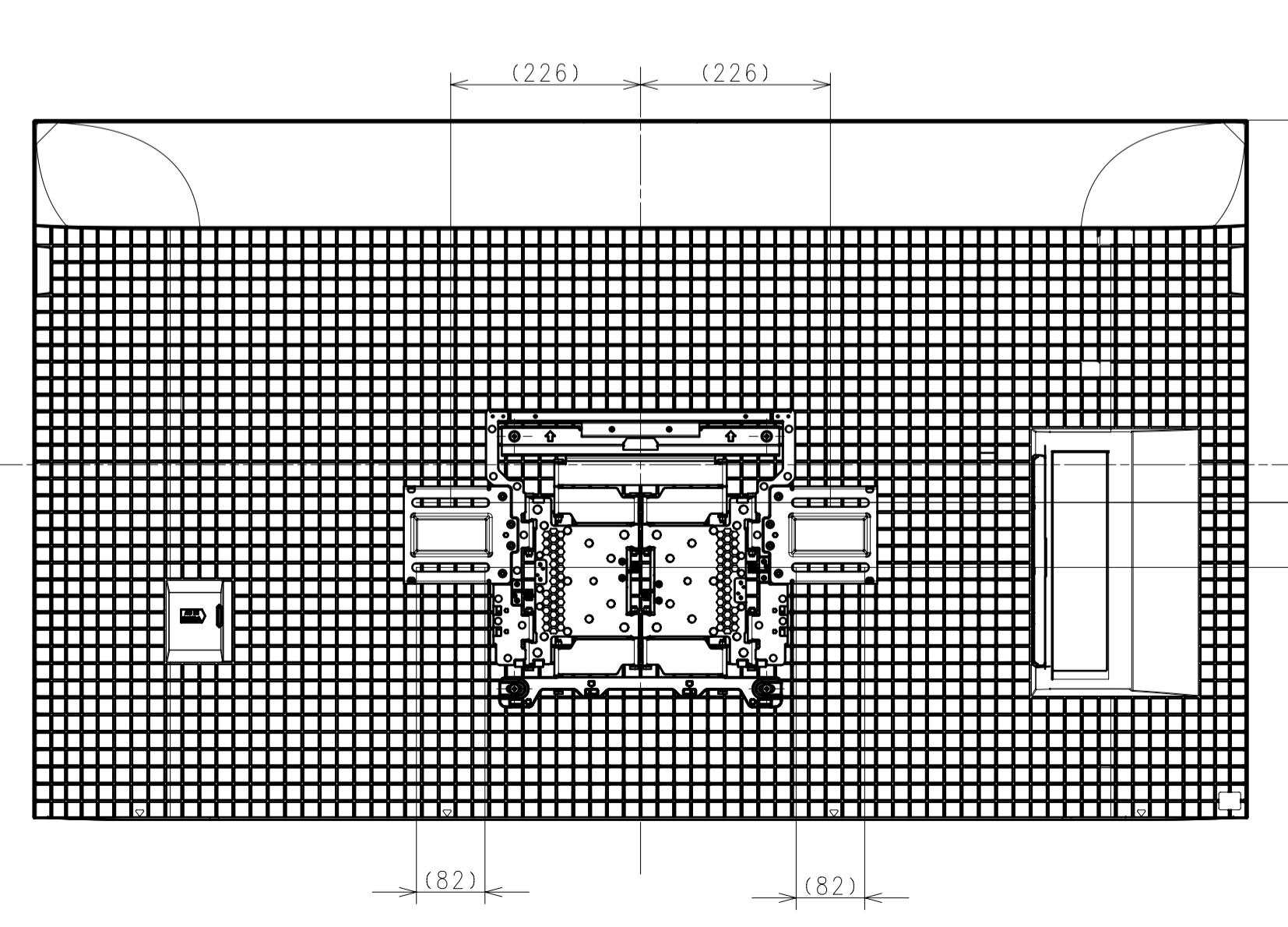
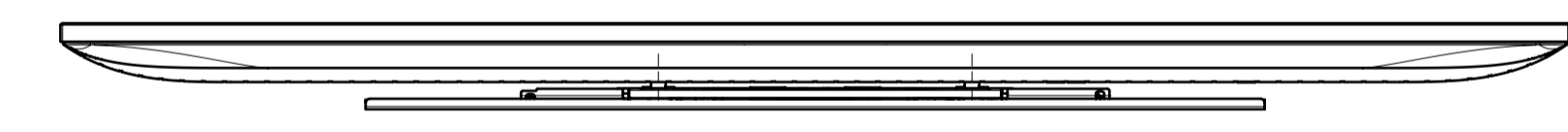
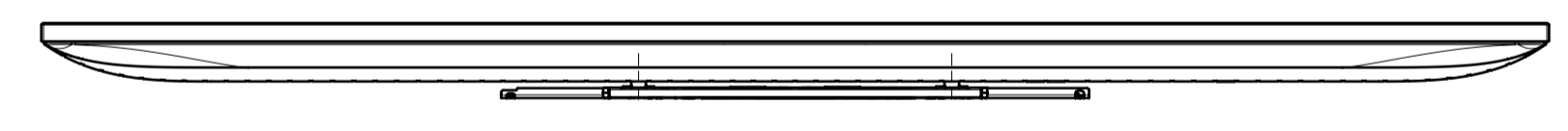
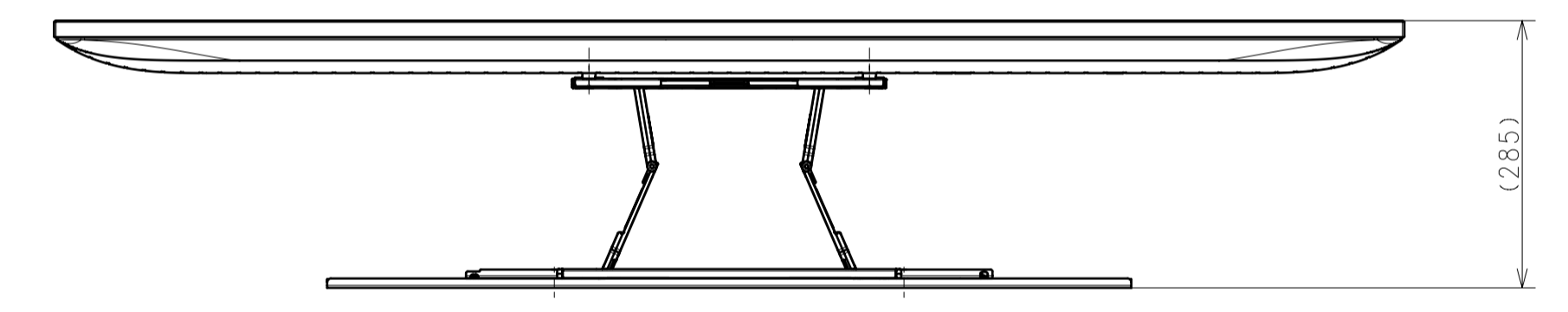
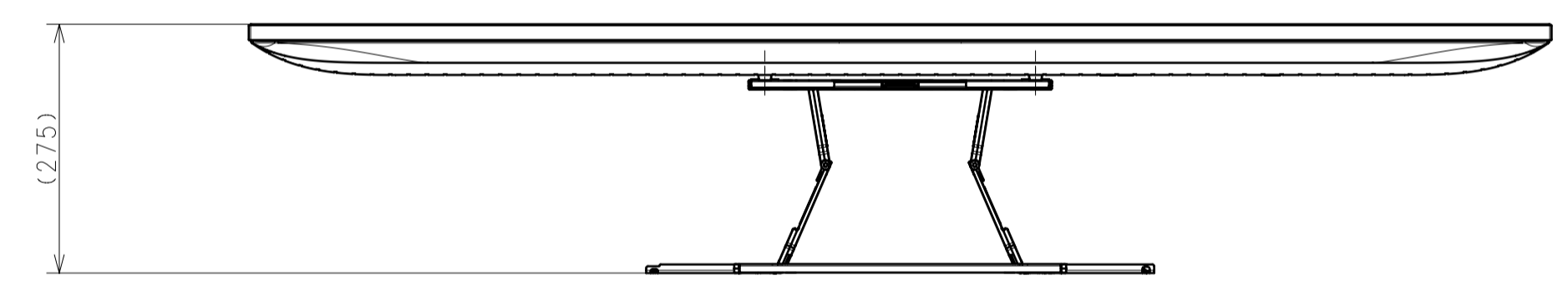
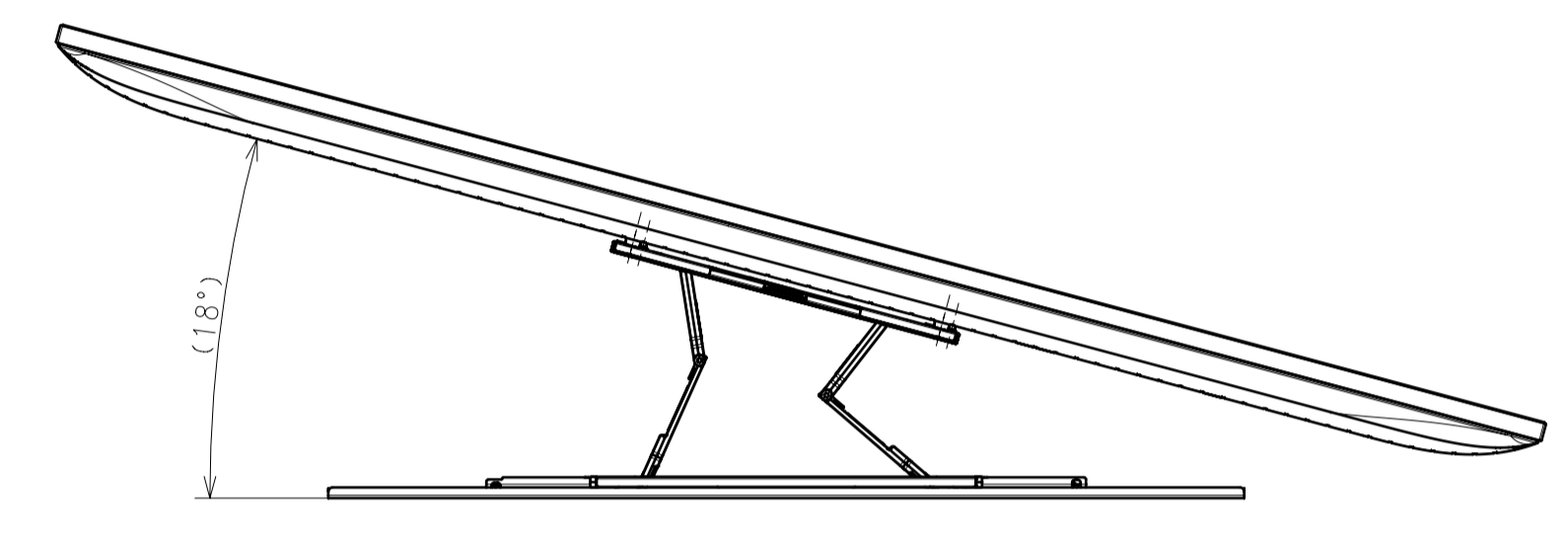
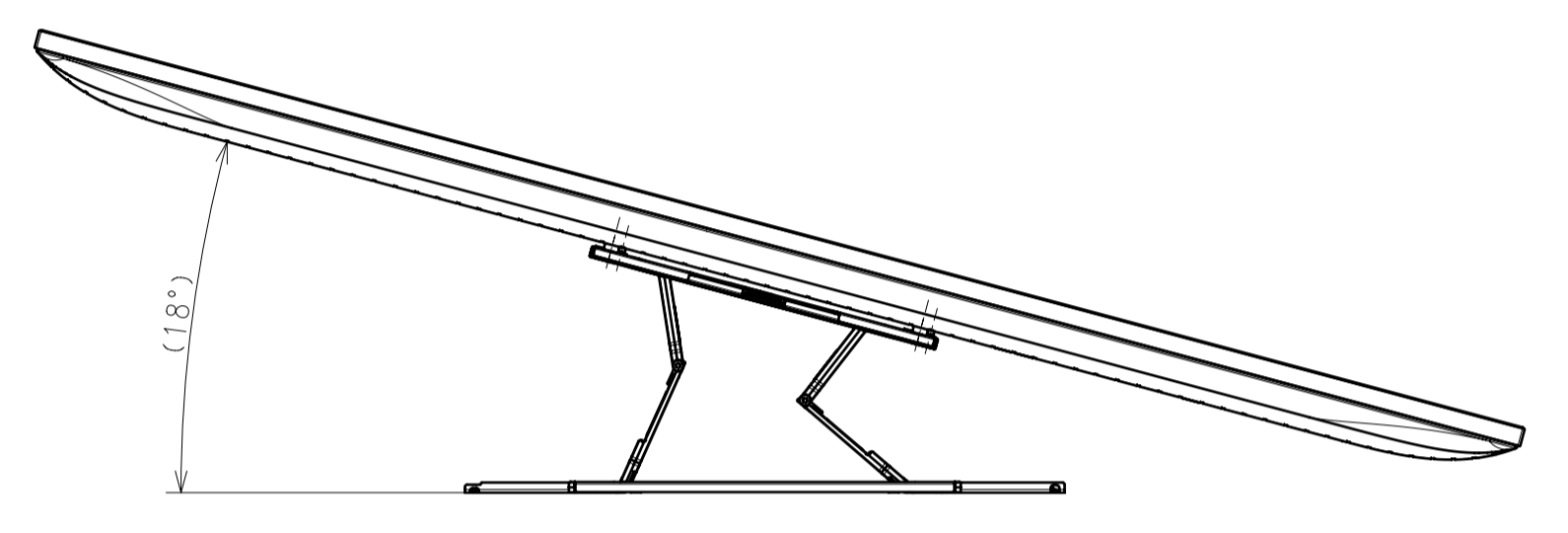
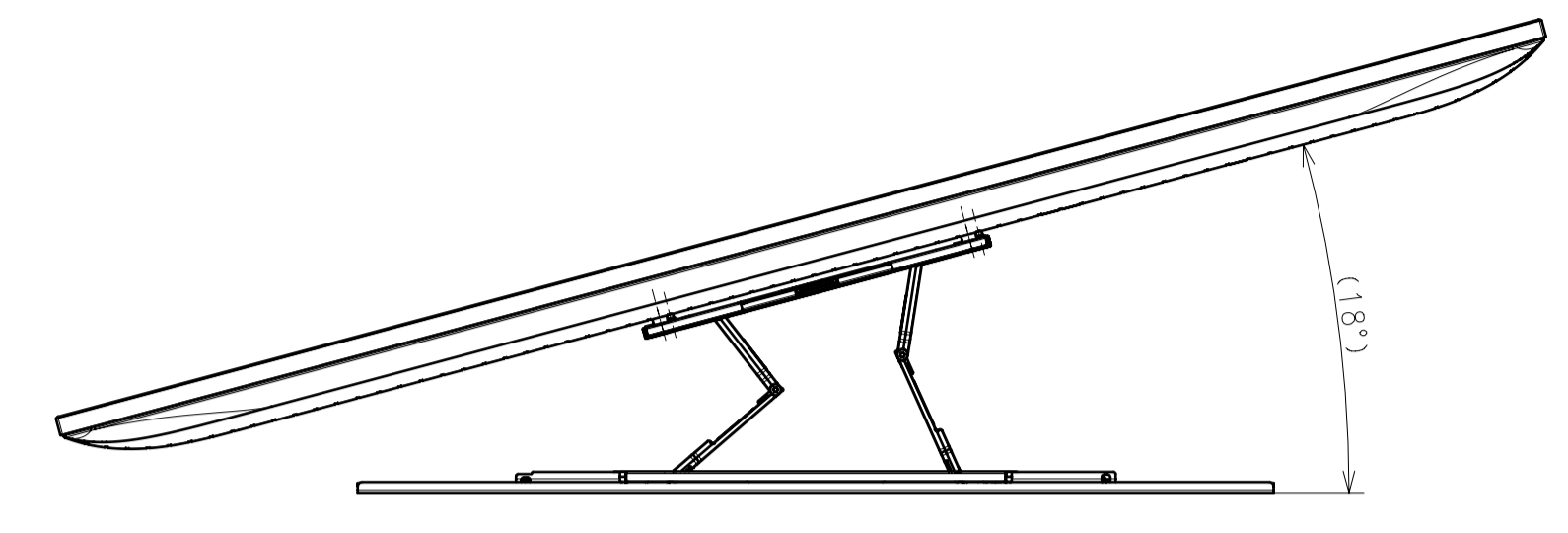
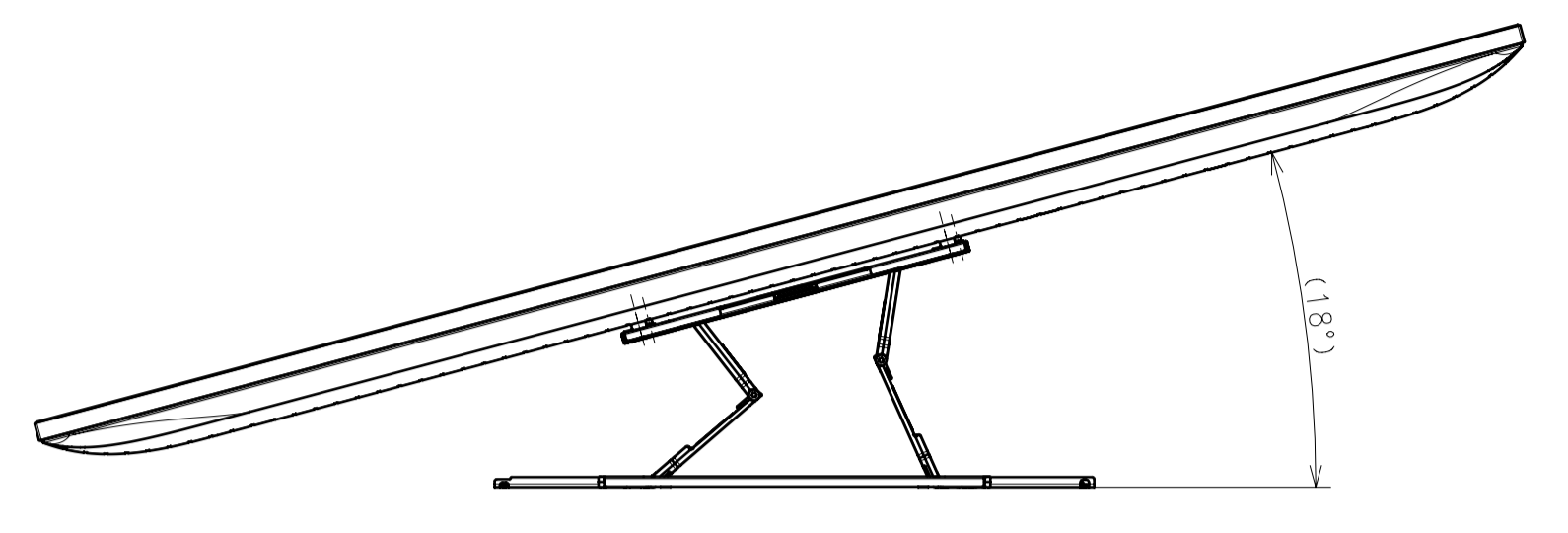


SONY STANDARD DRAWING

DESCRIPTION(1) 65(XR70) EXTERIOR VIEW	LEGAL OWNER Sony Corporation	SCALE 1:5
DESCRIPTION(2) 65(XR70) EXTERIOR VIEW	PART NO.	SHEET/PAGES 5/7

SU-WL850

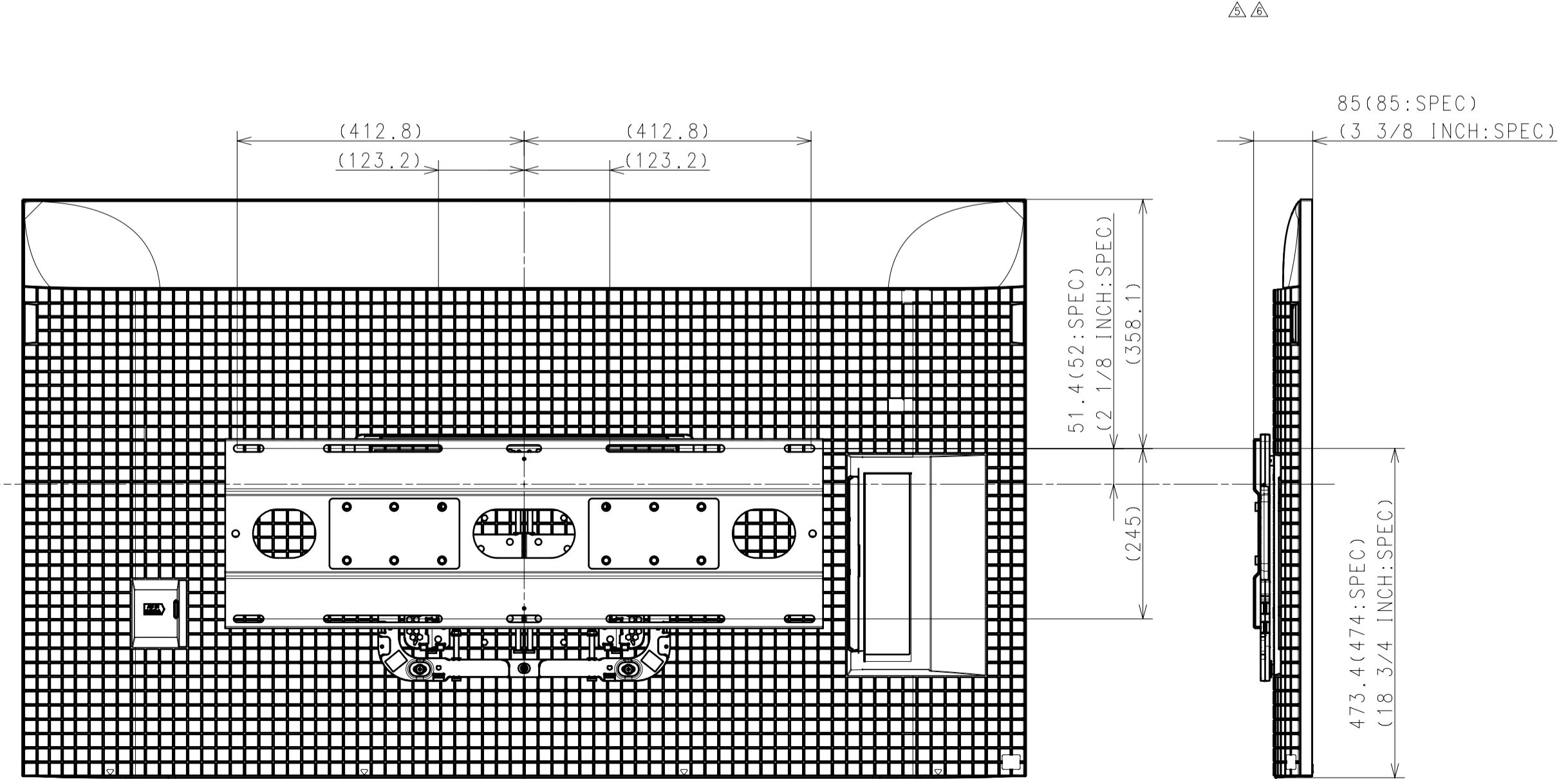
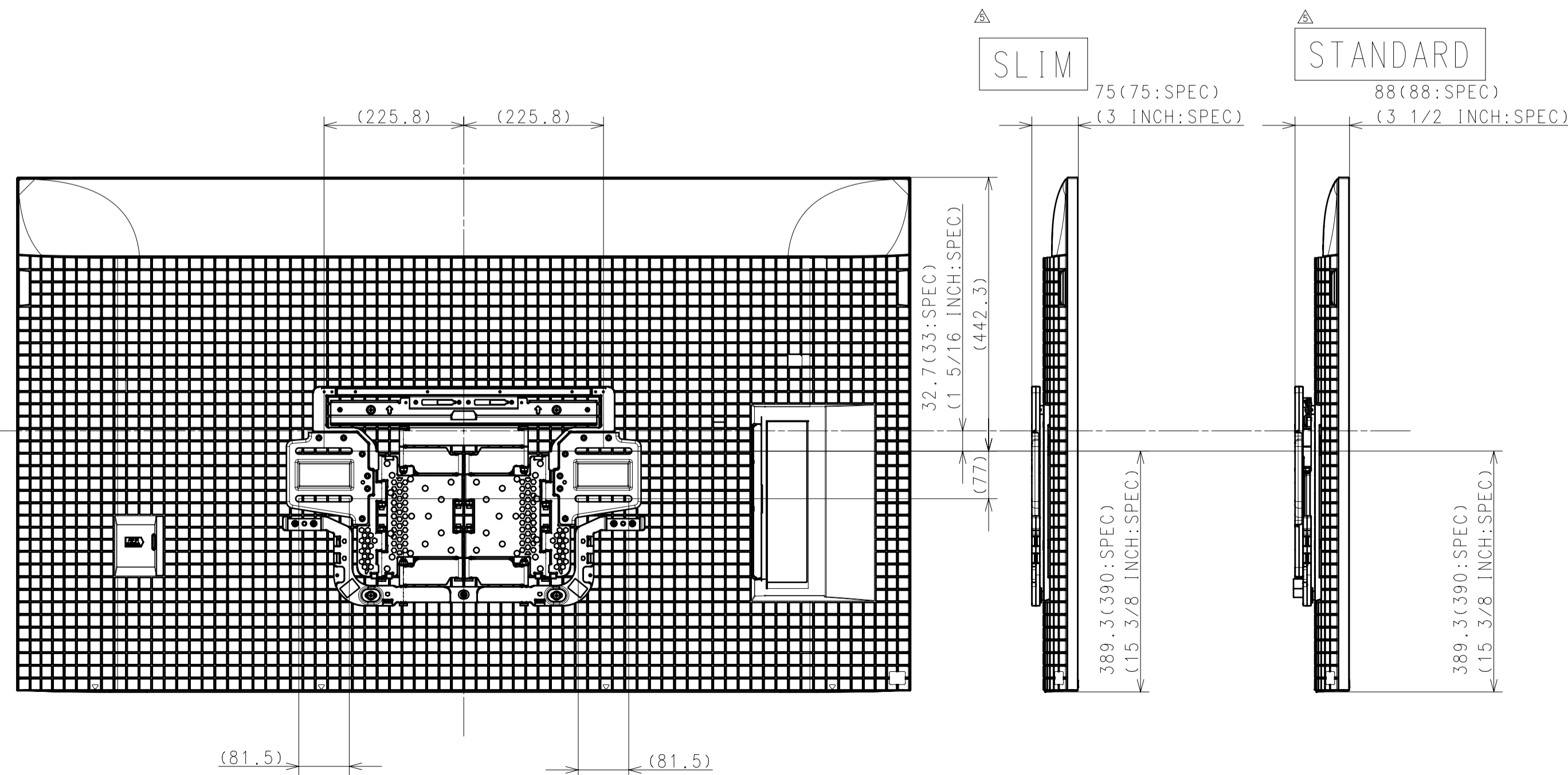
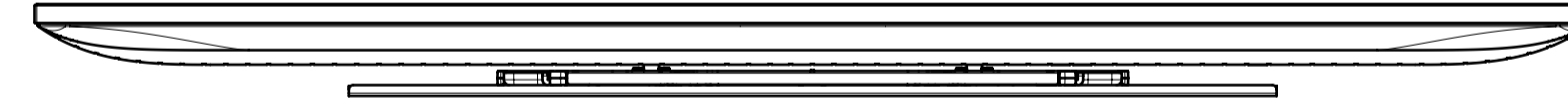
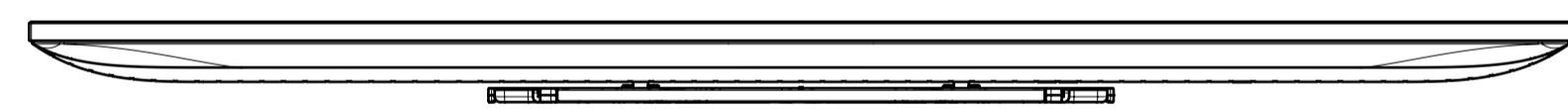
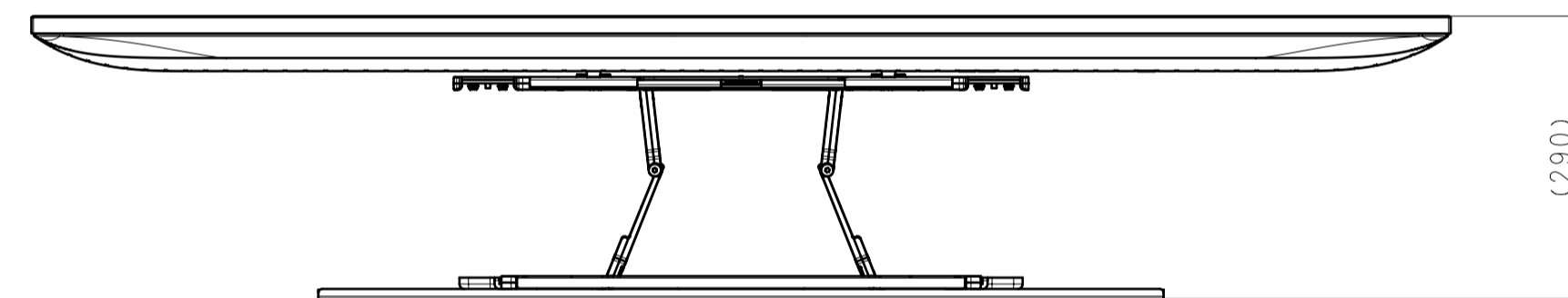
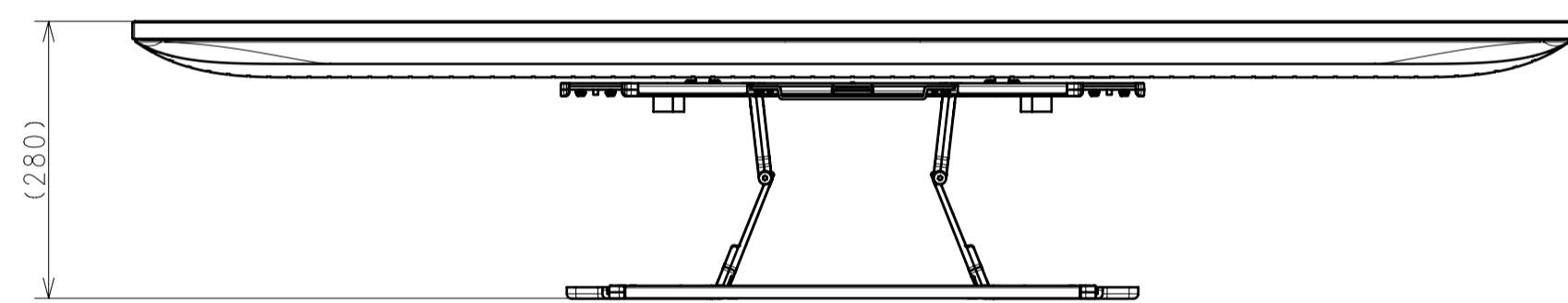
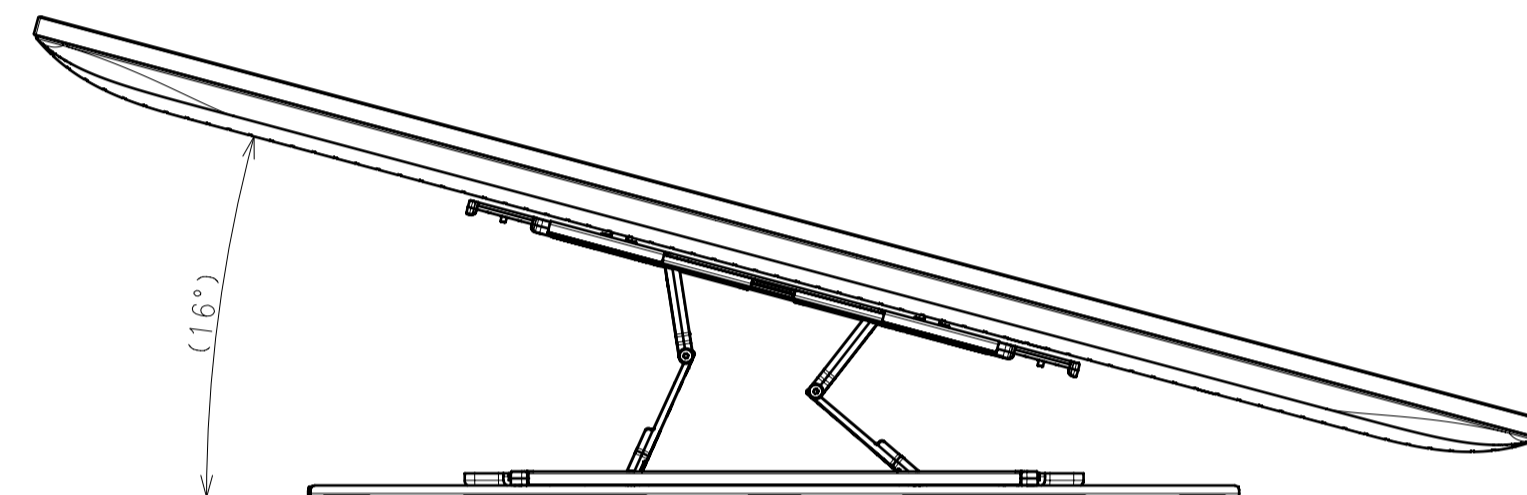
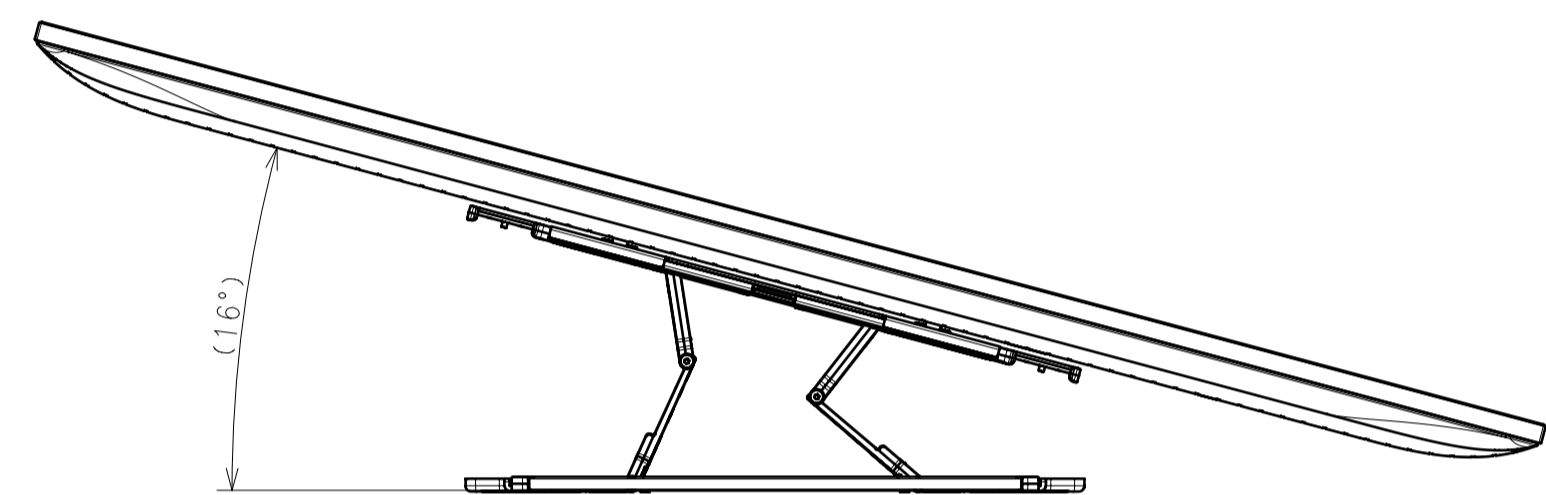
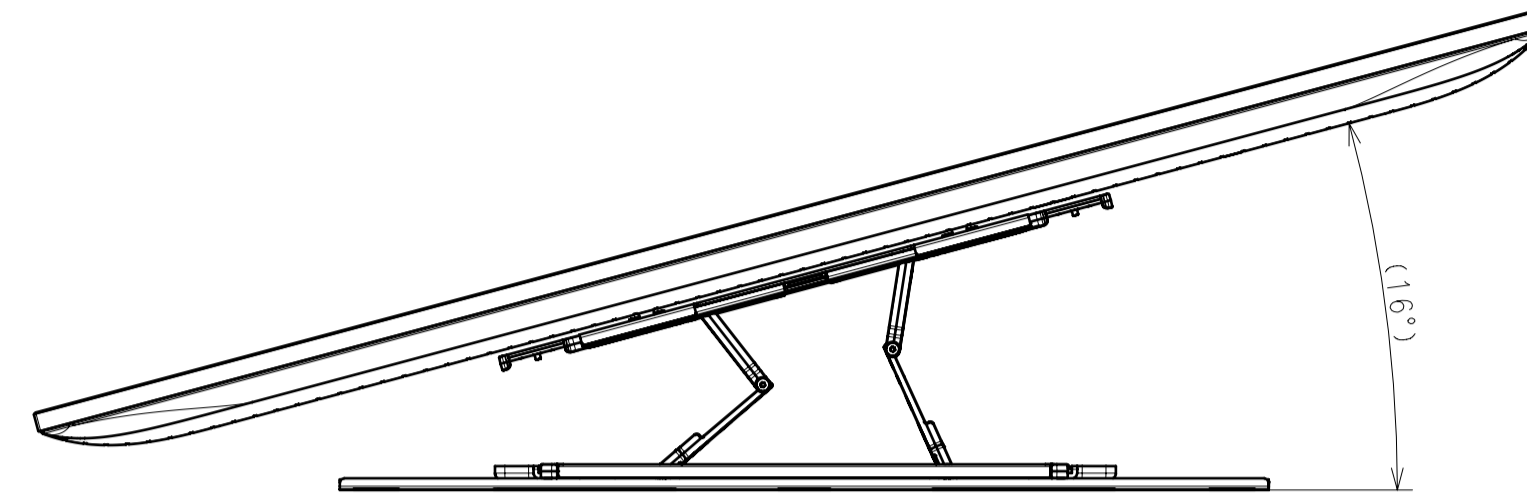
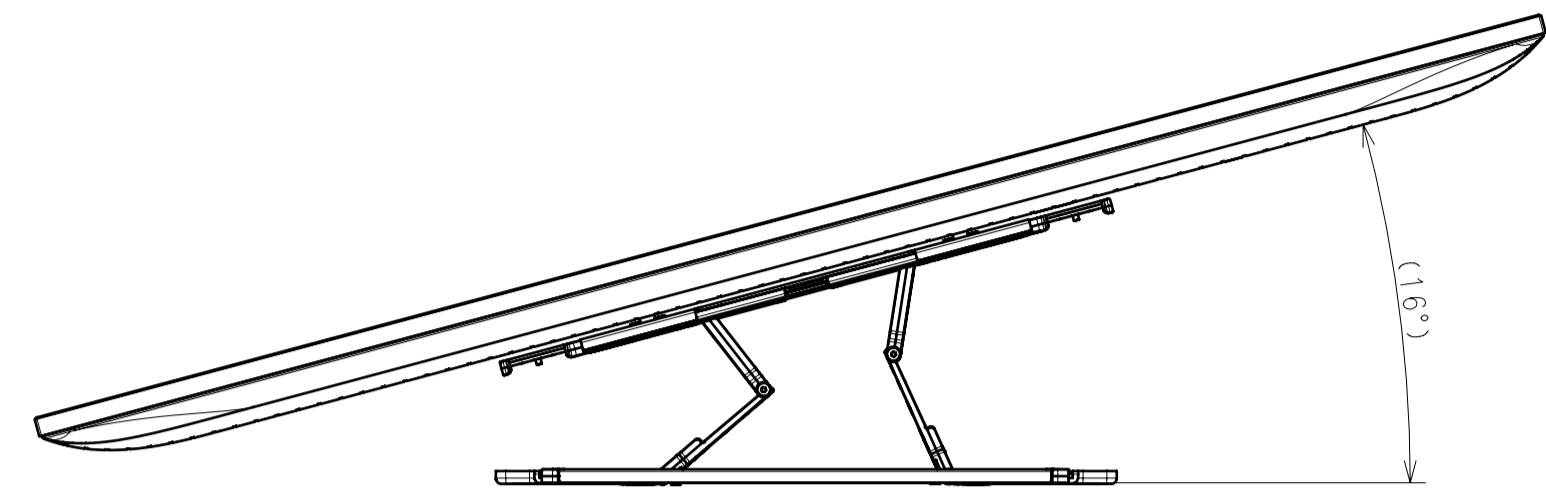
SU-WL855



DESCRIPTION1 65(XR70) EXTERIOR VIEW	LEGAL OWNER Sony Corporation	SCALE 1:7
DESCRIPTION2 65(XR70) EXTERIOR VIEW	PART NO.	SHEET/PAGES 6/7

SU-WL900

SU-WL905



DESCRIPTION1 65(XR70) EXTERIOR VIEW	LEGAL OWNER Sony Corporation	SCALE 1:7
DESCRIPTION2 65(XR70) EXTERIOR VIEW	PART NO.	SHEET/PAGES 7 / 7