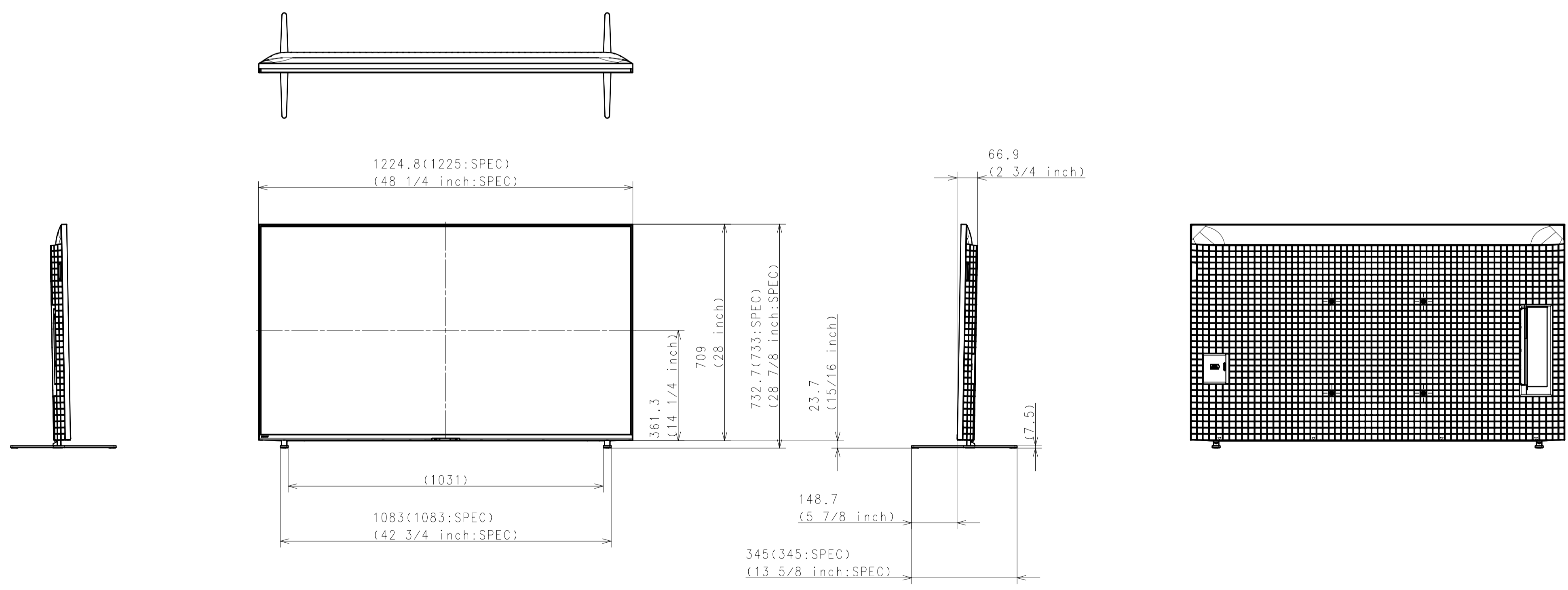


Area	JAPAN	NORTH AMERICA	NORTH AMERICA DERIVATIVE	EUROPE	GENERAL AREA + INS stand models	CHINA	INS Stand-less
Model Name	K-55XR70	K-55XR70	K-55XR70	K-55XR70	K-55XR70	K-55XR70	K-55XR70
SV No.	SV-42095	SV-42010	SV-42104	SV-42091	SV-42034	SV-42081	SV-42046
TV only (W x H x D)	122.5 x 70.9 x 5.6 (3.80) cm	1225 x 709 x 56 (38) mm / 48 1/4 x 28 x 2 1/4 (1 1/2) inch	1225 x 709 x 56 (38) mm / 48 1/4 x 28 x 2 1/4 (1 1/2) inch	Approx. 122.5 x 70.9 x 5.6 (3.80) cm	Approx. 1225 x 709 x 56 (38) mm	Approx. 1225 x 709 x 56 (38) mm	Approx. 1225 x 709 x 56 (38) mm
TV only with camera (W x H x D)	-	-	-	-	-	-	-
TV with Stand (Outside) (W x H x D)	122.5 x 73.3 x 34.5 cm	1225 x 733 x 345 mm / 48 1/4 x 28 7/8 x 13 5/8 inch	1225 x 733 x 345 mm / 48 1/4 x 28 7/8 x 13 5/8 inch	Approx. 122.5 x 73.3 x 34.5 cm	Approx. 1225 x 733 x 345 mm	Approx. 1225 x 733 x 345 mm	-
TV with Stand (Inside) (W x H x D)	122.5 x 73.3 x 34.5 cm	1225 x 733 x 345 mm / 48 1/4 x 28 7/8 x 13 5/8 inch	1225 x 733 x 345 mm / 48 1/4 x 28 7/8 x 13 5/8 inch	Approx. 122.5 x 73.3 x 34.5 cm	Approx. 1225 x 733 x 345 mm	Approx. 1225 x 733 x 345 mm	-
TV with Stand (Outside for Soundbar) (W x H x D)	122.5 x 78.7 x 34.5 cm	1225 x 787 x 345 mm / 48 1/4 x 31 x 13 5/8 inch	1225 x 787 x 345 mm / 48 1/4 x 31 x 13 5/8 inch	Approx. 122.5 x 78.7 x 34.5 cm	Approx. 1225 x 787 x 345 mm	Approx. 1225 x 787 x 345 mm	-
TV with Stand (Inside for Soundbar) (W x H x D)	122.5 x 78.7 x 34.5 cm	1225 x 787 x 345 mm / 48 1/4 x 31 x 13 5/8 inch	1225 x 787 x 345 mm / 48 1/4 x 31 x 13 5/8 inch	Approx. 122.5 x 78.7 x 34.5 cm	Approx. 1225 x 787 x 345 mm	Approx. 1225 x 787 x 345 mm	-
TV with Stand (Front position style) (W x H x D)	-	-	-	-	-	-	-
TV with Stand (Back position style) (W x H x D)	-	-	-	-	-	-	-
TV with Floor Stand (W x H x D)	-	-	-	-	-	-	-
Stand Width (Outside)	108.3 cm	1083 mm / 42 3/4 inch	1083 mm / 42 3/4 inch	Approx. 108.3 cm	Approx. 1083 mm	Approx. 1083 mm	-
Stand Width (Inside)	43.6 cm	436 mm / 17 1/4 inch	436 mm / 17 1/4 inch	Approx. 43.6 cm	Approx. 436 mm	Approx. 436 mm	-
Stand Width (Outside for Soundbar)	108.3 cm	1083 mm / 42 3/4 inch	1083 mm / 42 3/4 inch	Approx. 108.3 cm	Approx. 1083 mm	Approx. 1083 mm	-
Stand Width (Inside for Soundbar)	43.6 cm	436 mm / 17 1/4 inch	436 mm / 17 1/4 inch	Approx. 43.6 cm	Approx. 436 mm	Approx. 436 mm	-
Stand Width (Front position style)	-	-	-	-	-	-	-
Stand Width (Back position style)	-	-	-	-	-	-	-
Floor Stand Width	-	-	-	-	-	-	-
VESA Hole Pitch	30.0 x 30.0 cm	300 x 300 mm / 11 7/8 x 11 7/8 inch	300 x 300 mm / 11 7/8 x 11 7/8 inch	30.0 x 30.0 cm	300 x 300 mm	300 x 300 mm	300 x 300 mm
TV Only	19.9 kg	19.9 kg / 43.9 lb	19.9 kg / 43.9 lb	Approx. 19.9 kg	Approx. 19.9 kg	Approx. 19.9 kg	Approx. 19.9 kg
TV with Stand (Outside)	21.1 kg	21.1 kg / 46.5 lb	21.1 kg / 46.5 lb	Approx. 21.1 kg	Approx. 21.1 kg	Approx. 21.1 kg	-
TV with Stand (Inside)	21.1 kg	21.1 kg / 46.5 lb	21.1 kg / 46.5 lb	Approx. 21.1 kg	Approx. 21.1 kg	Approx. 21.1 kg	-
TV with Stand (Outside for Soundbar)	21.1 kg	21.1 kg / 46.5 lb	21.1 kg / 46.5 lb	Approx. 21.1 kg	Approx. 21.1 kg	Approx. 21.1 kg	-
TV with Stand (Inside for Soundbar)	21.1 kg	21.1 kg / 46.5 lb	21.1 kg / 46.5 lb	Approx. 21.1 kg	Approx. 21.1 kg	Approx. 21.1 kg	-
TV with Stand (Front/Back position style)	-	-	-	-	-	-	-
TV with Floor Stand	-	-	-	-	-	-	-
Floor Stand weight (Supply)	-	-	-	-	-	-	-
W-M't Br. Weight (Supply)	-	-	-	-	-	-	-
Remarks	4way	4way	4way	4way	4way	4way	4way

TV with Stand (Outside)

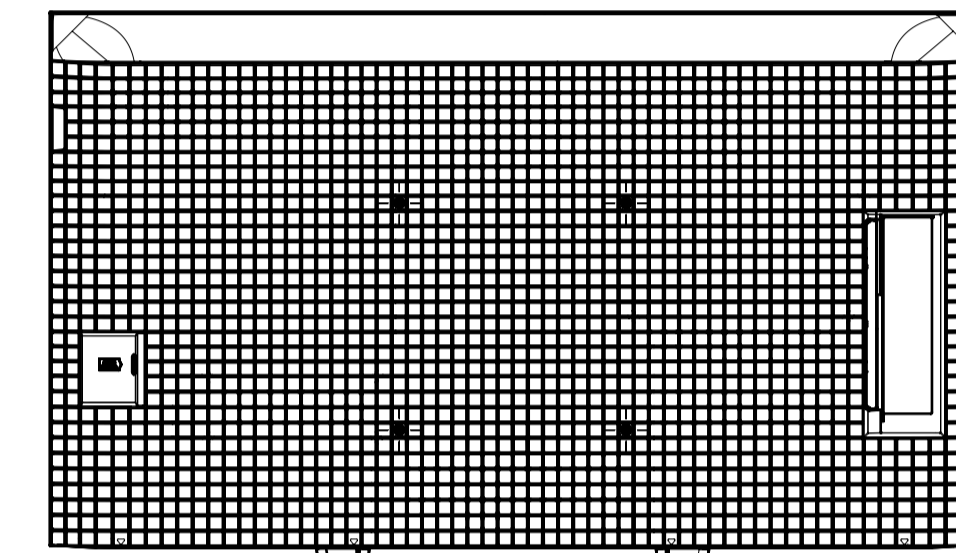
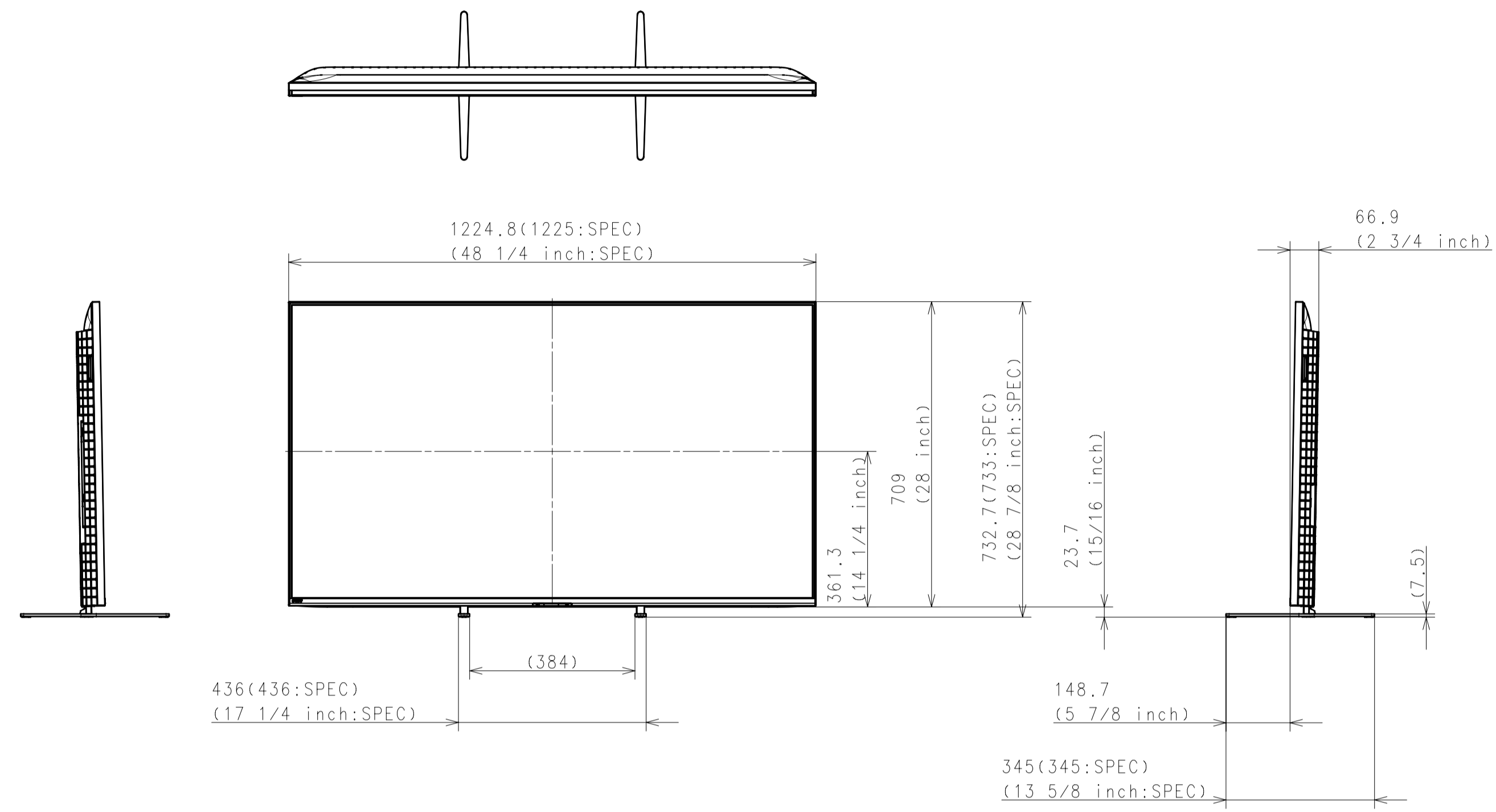


Purchase recycled resins and wire rods only from the business partners that Sony approves as Green Partners.  
 再生樹脂・鉄線棒のみをビジネスパートナーから調達してください。

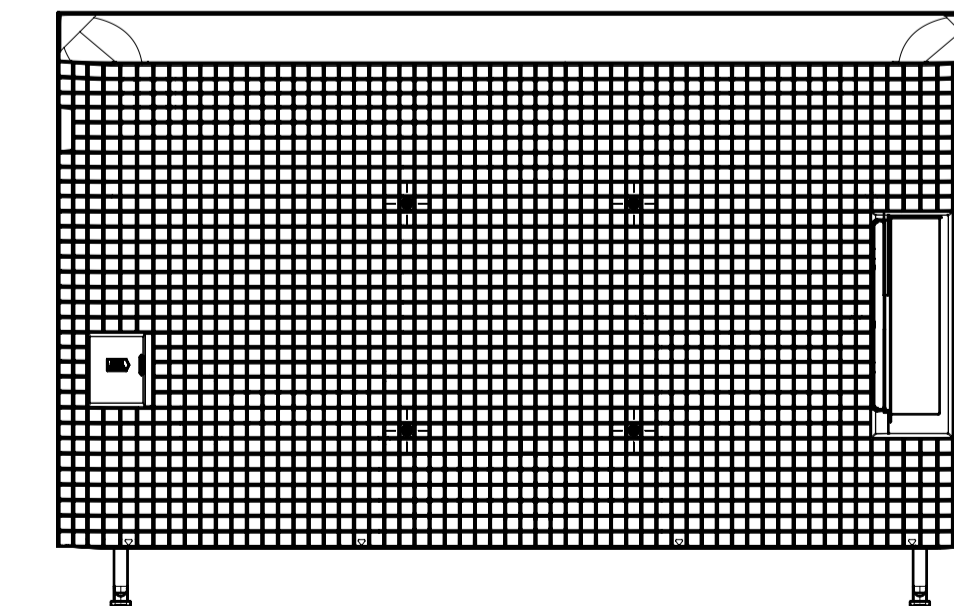
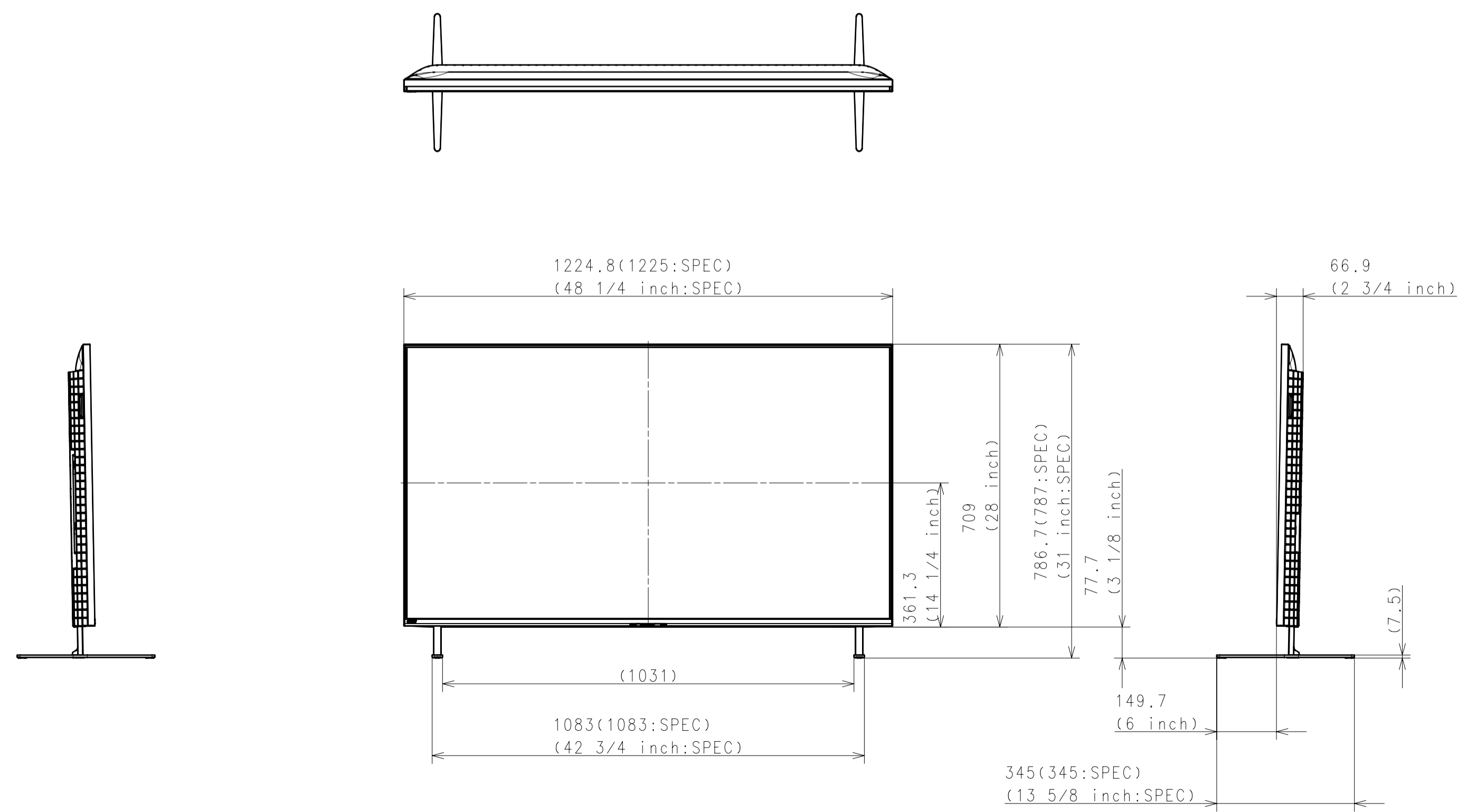
Rev 2	2024.03.13	Delete view	Unit: Millimeter	GENERAL TOLERANCE	DATE OF ISSUE
Rev 5	2024.02.13	Revise, Add INS stand-less area. Add STANDARD/SLIM notation.	Unit: Millimeter	DOCUMENT TYPE	PART
Rev 2	2024.01.16	Revise, Change to correct.	Unit: Millimeter	TOLERANCING	DRAWING
Rev 2	2023.12.22	Revise, Add WL900/WL905 View.	Unit: Millimeter	MATERIAL COLOR	FINISH COLOR

HISTORY & COUNT		SUFFIX	RELEASE NO.	DATE	REVISION	SIGN.
LEGAL OWNER						
Sony Corporation						
RESPONSIBLE DEPARTMENT		ORIGINAL MODEL		DESCRIPTION		
DTC MD div1 MD dept1		55 (XR70)		55 (XR70) EXTERIOR VIEW		
PLANNED BY		CHECKED BY		APPROVED BY		SCALE
2023.09.29		Nishitani Takashi		Nishitani Takashi		1:10
DRAWN BY		SIZE		UNIT		PAGE NO.
2023.09.2		A1		mm		1 / 7

TV with Stand (Inside)

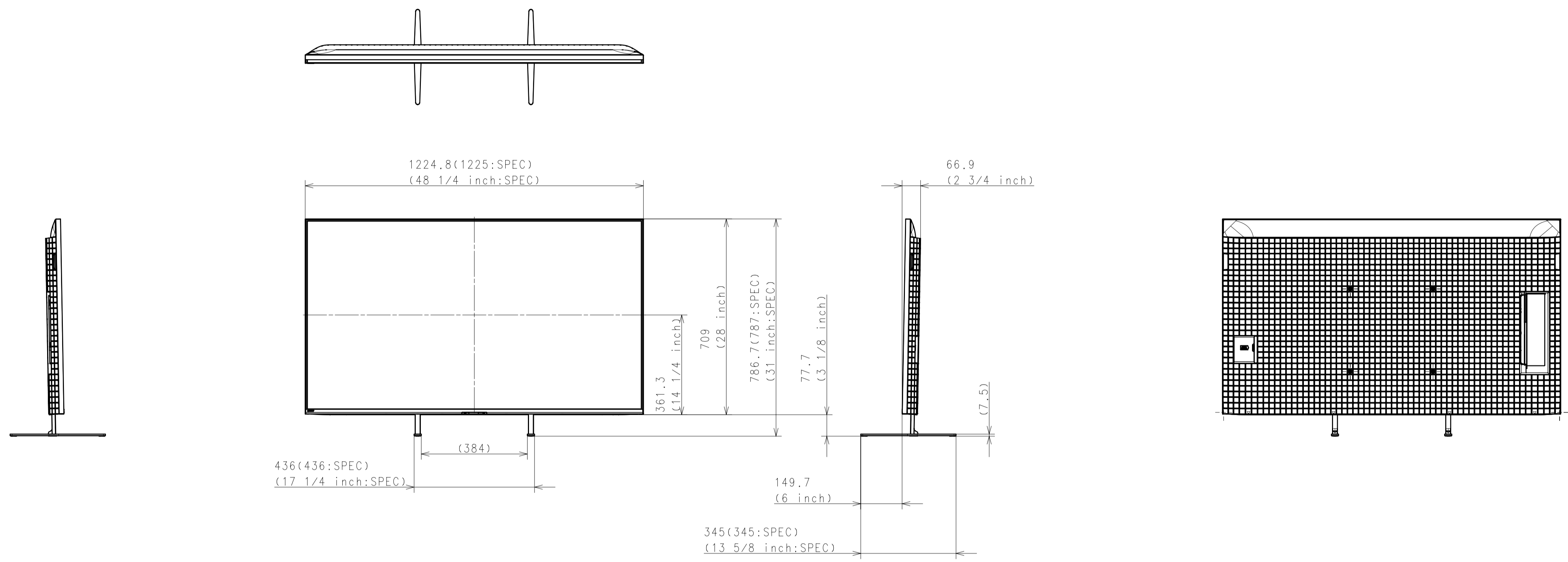


TV with Stand (Outside for Soundbar)



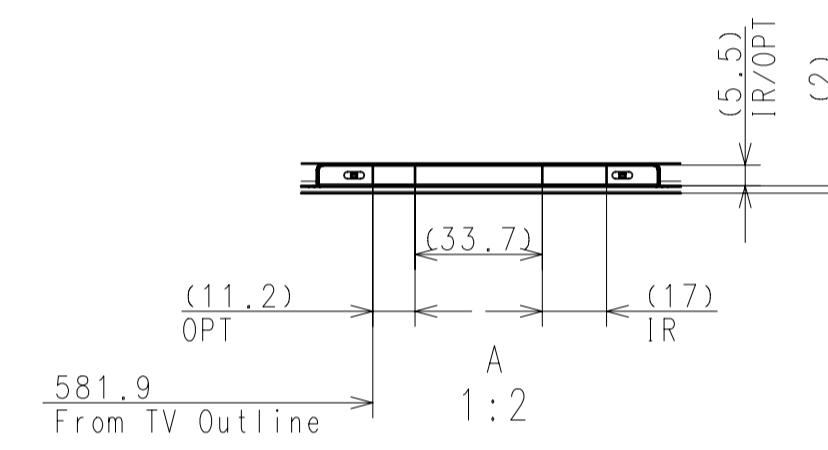
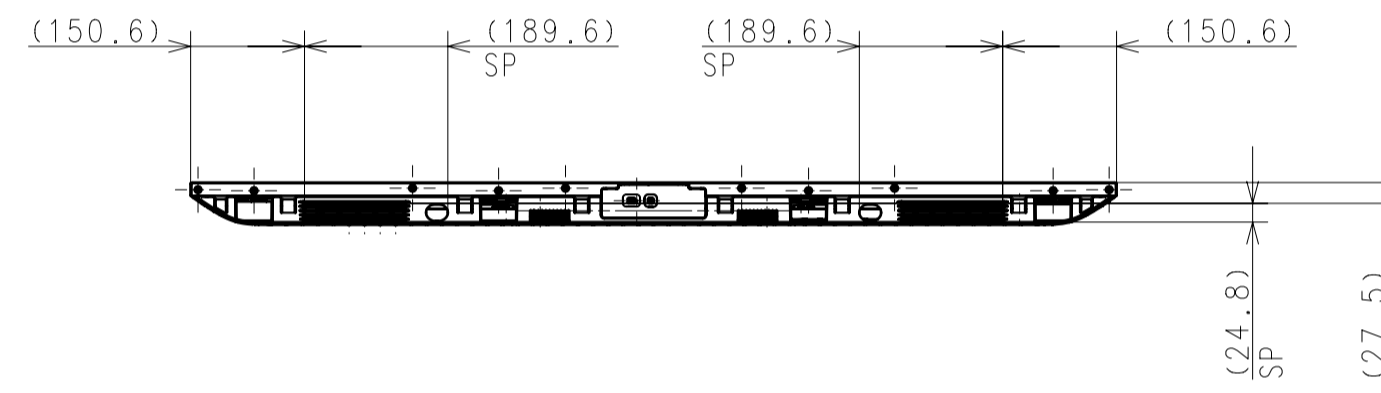
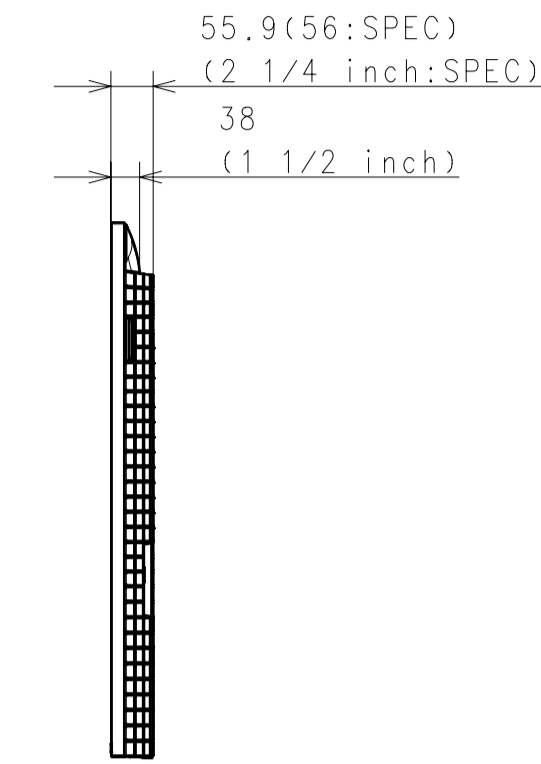
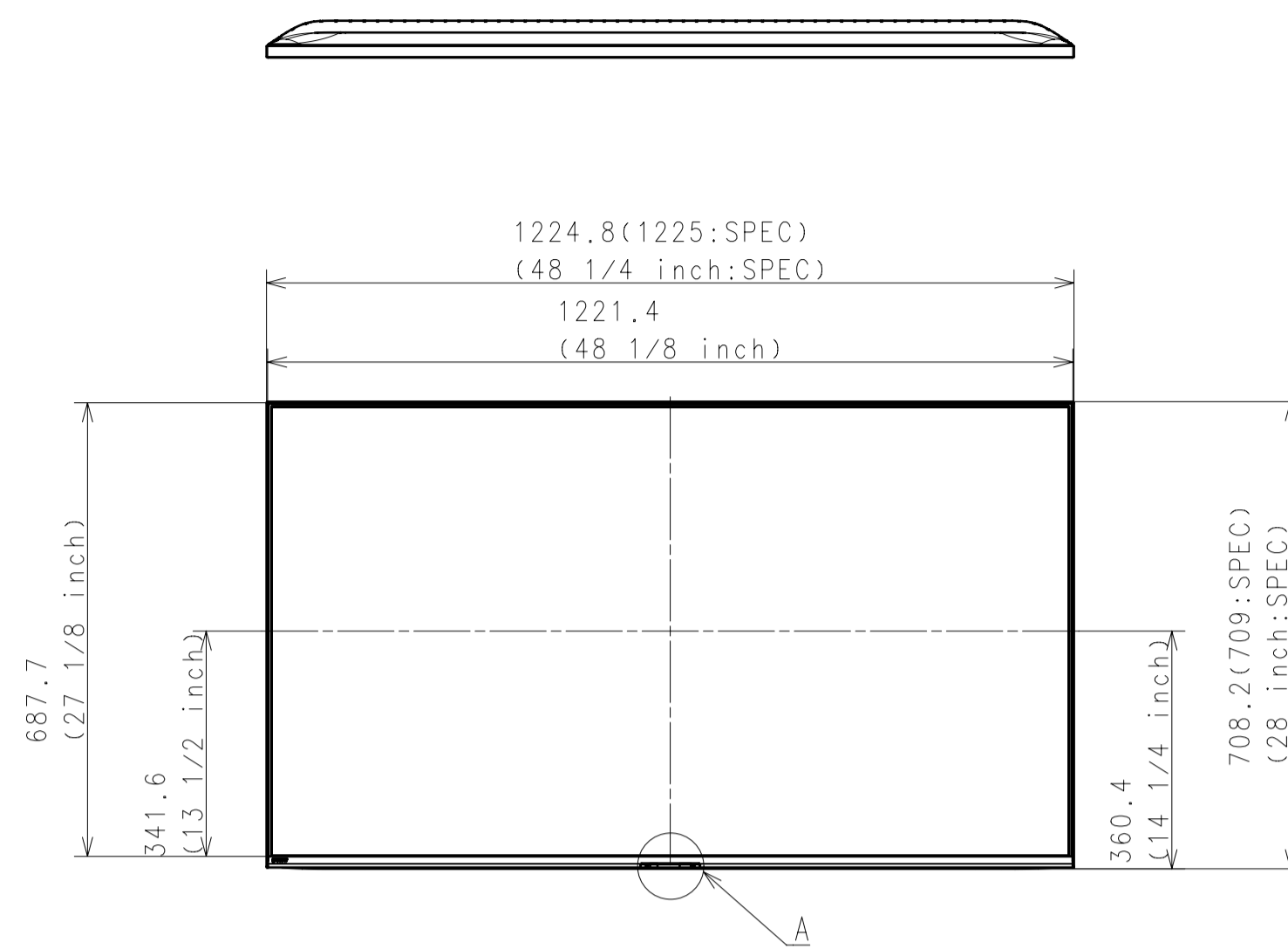
DESCRIPTION 1	LEGAL OWNER	SCALE
55 (XR70) EXTERIOR VIEW	Sony Corporation	1:10
DESCRIPTION 2	PART NO.	SHEET/PAGES
55 (XR70) EXTERIOR VIEW		2 / 7

TV with Stand (Inside for Soundbar)



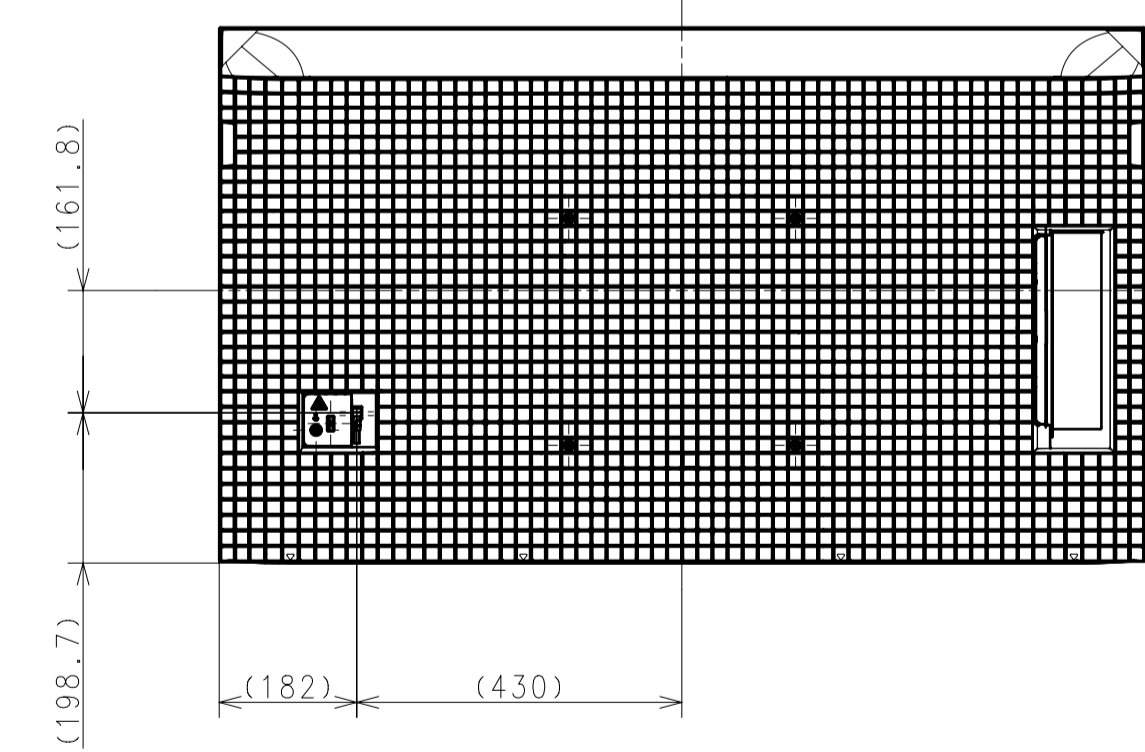
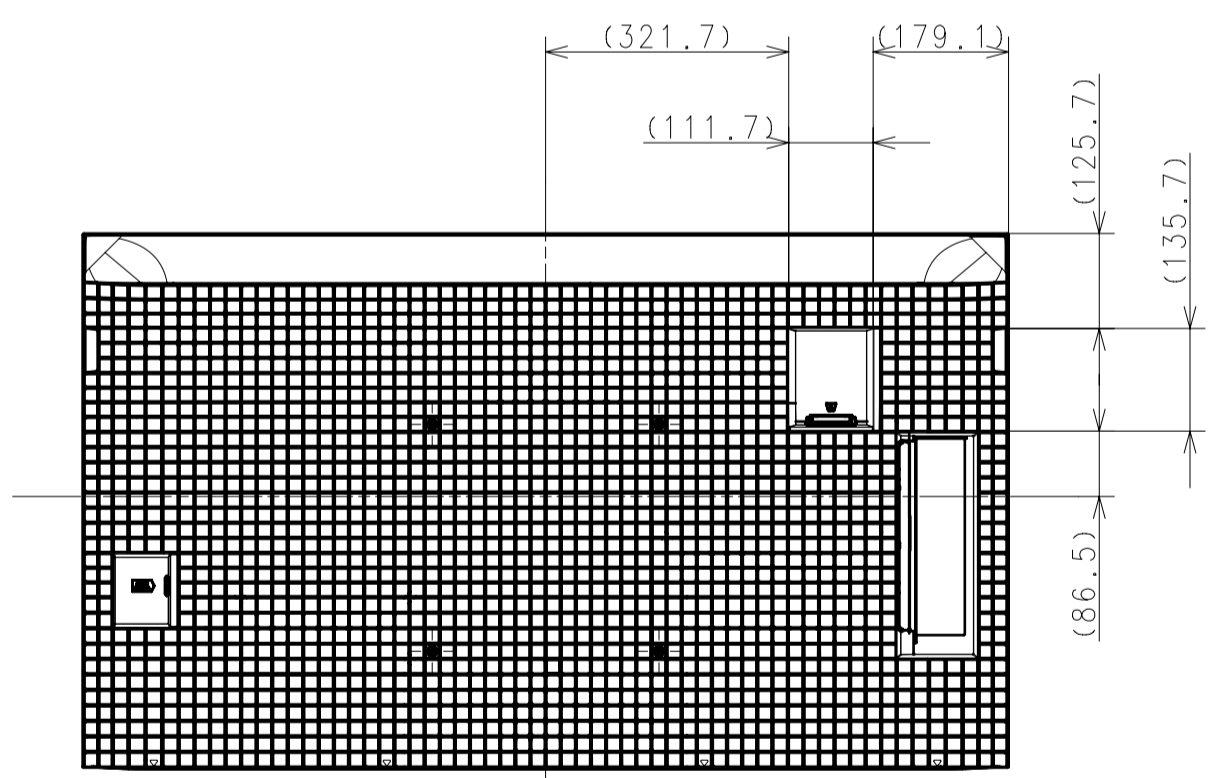
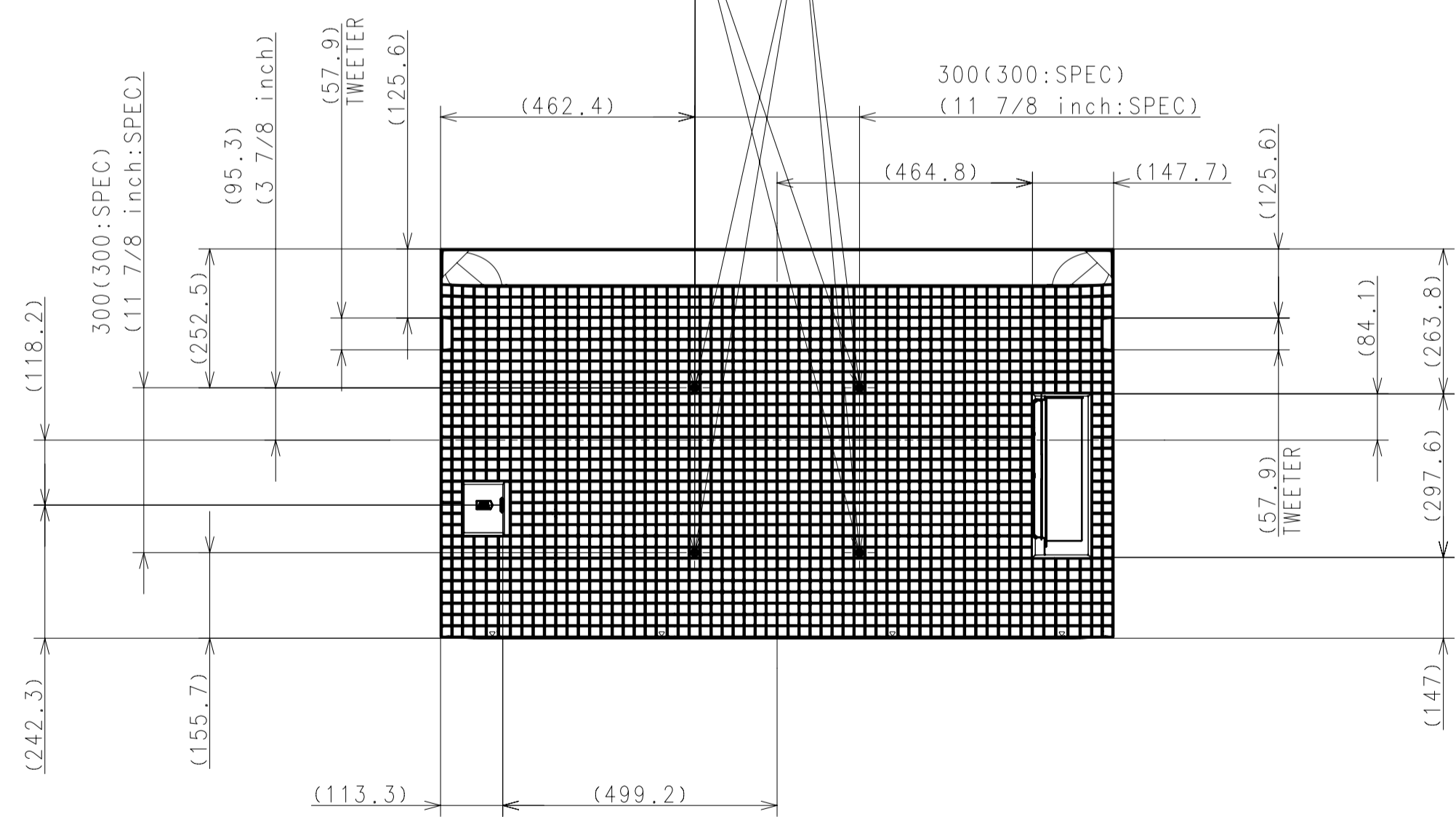
DESCRIPTION 1	LEGAL OWNER	SCALE
55 (XR70) EXTERIOR VIEW	Sony Corporation	1:10
DESCRIPTION 2	PART NO.	SHEET/PAGES
55 (XR70) EXTERIOR VIEW		3 / 7

TV only



M6 HOLES FOR WALL MOUNT BRACKET  
\*REFER TO INSTRUCTION MANUAL FOR SCREW LENGTH INFORMATION

M6 HOLES FOR SECURING HARDWARE.  
(BELT, ROPE OR CHAIN)



FOR EXCEPT  
CE1, UKA, RU3, E33, J1, IN5, LA8, AR4, C01

FOR CE1, UKA, RU3, E33

FOR J1, IN5, LA8, AR4, C01

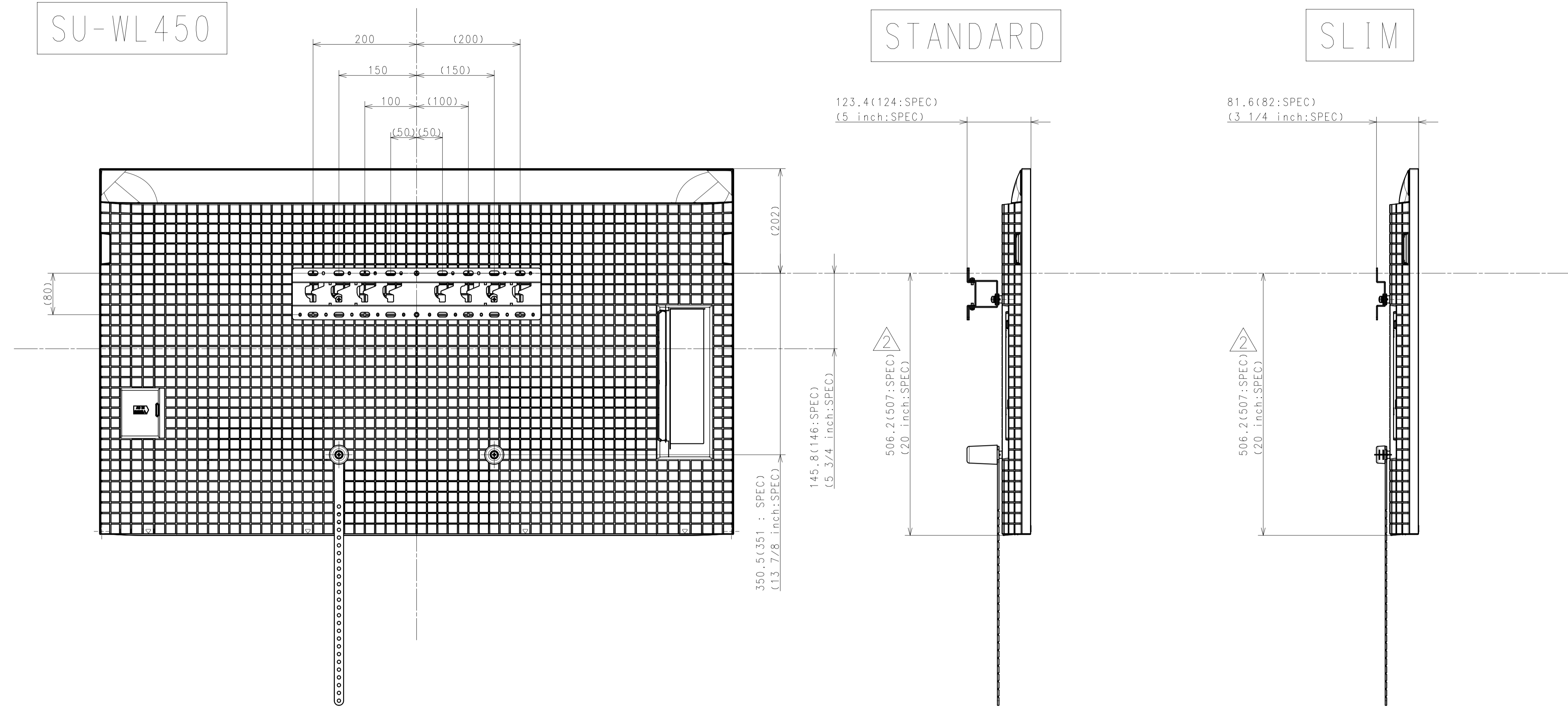
DESCRIPTION 1	LEGAL OWNER	SCALE
55 (XR70) EXTERIOR VIEW	Sony Corporation	1:10
DESCRIPTION 2	PART NO.	SHEET/PAGES
55 (XR70) EXTERIOR VIEW		4 / 7



SU-WL450

STANDARD

SLIM

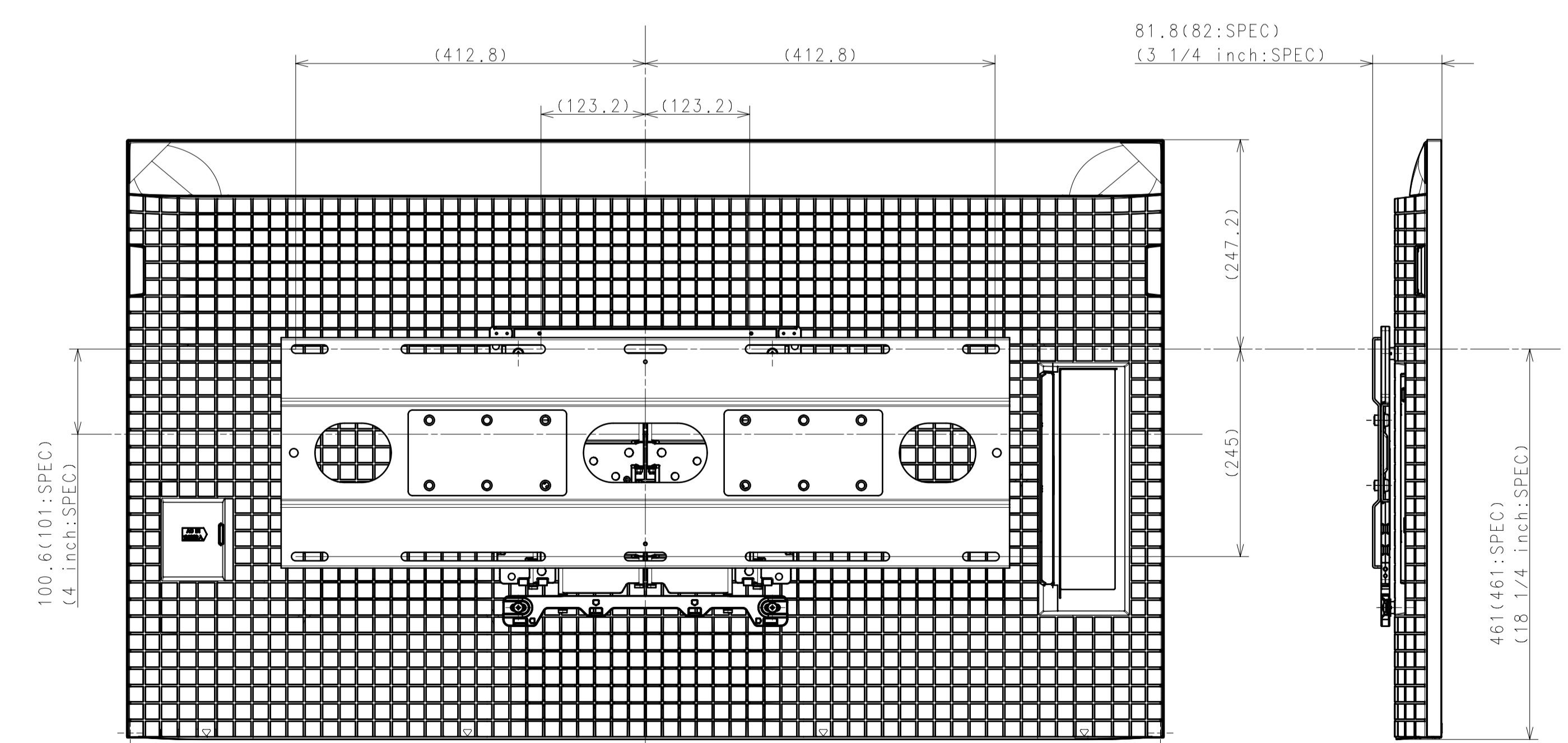
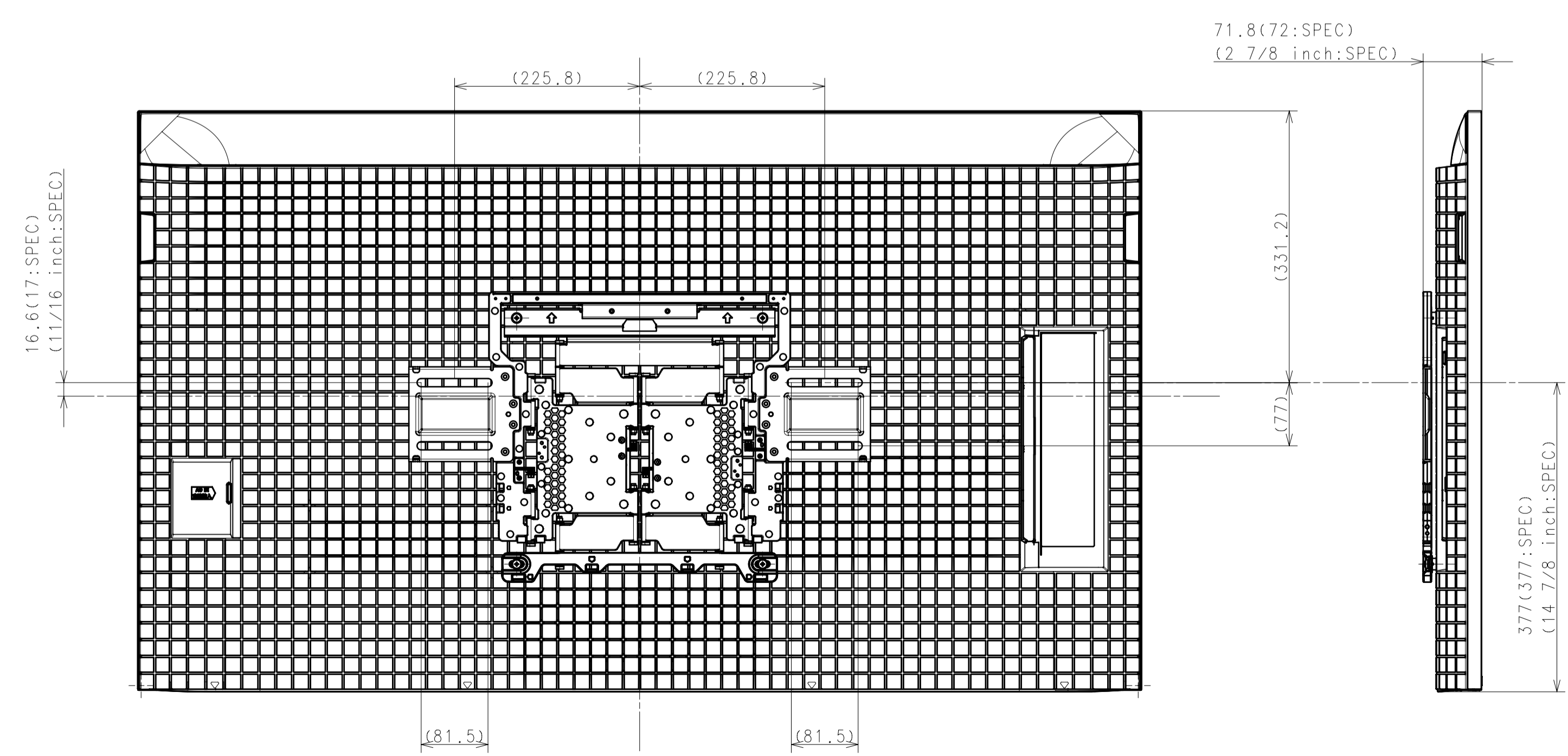
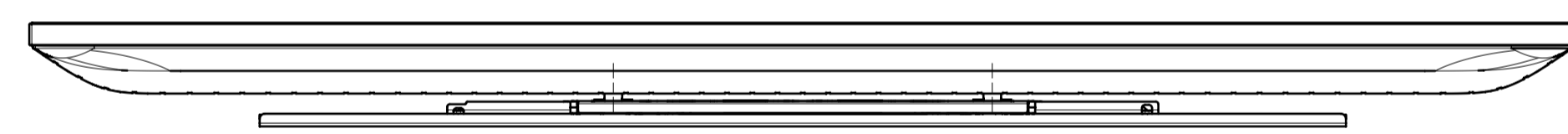
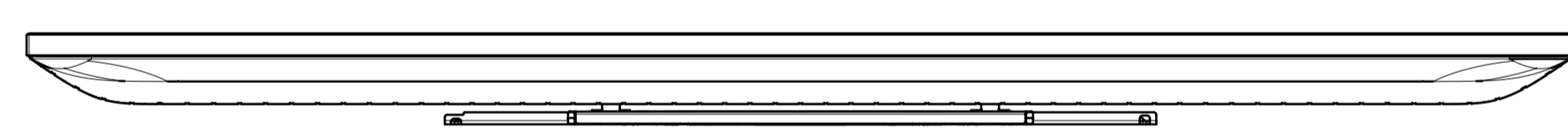
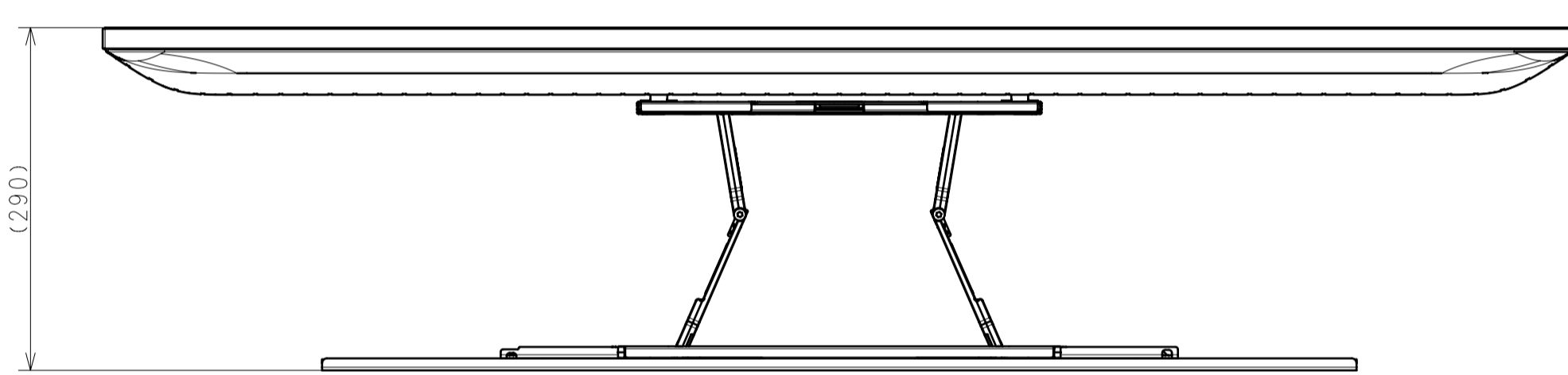
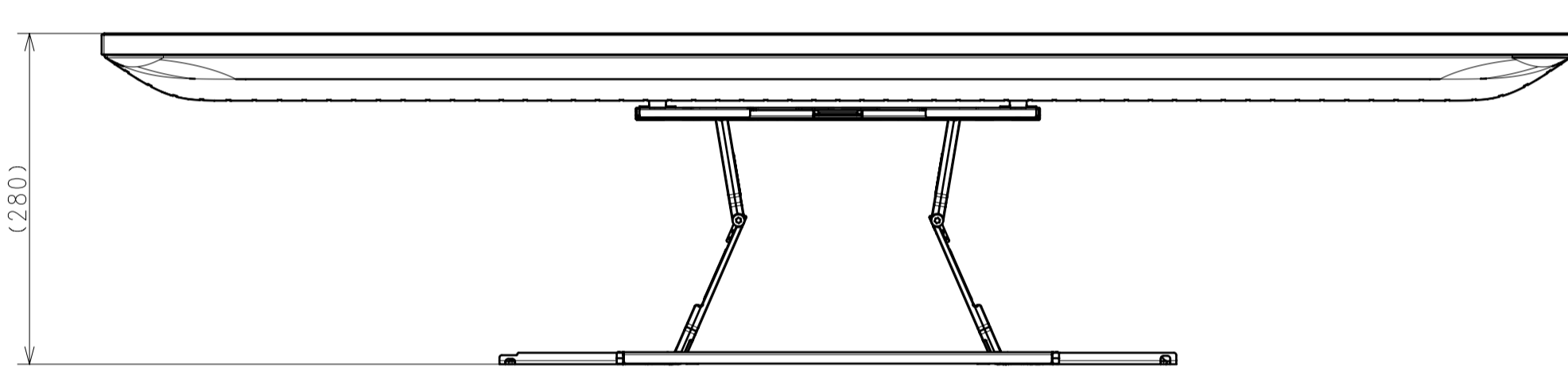
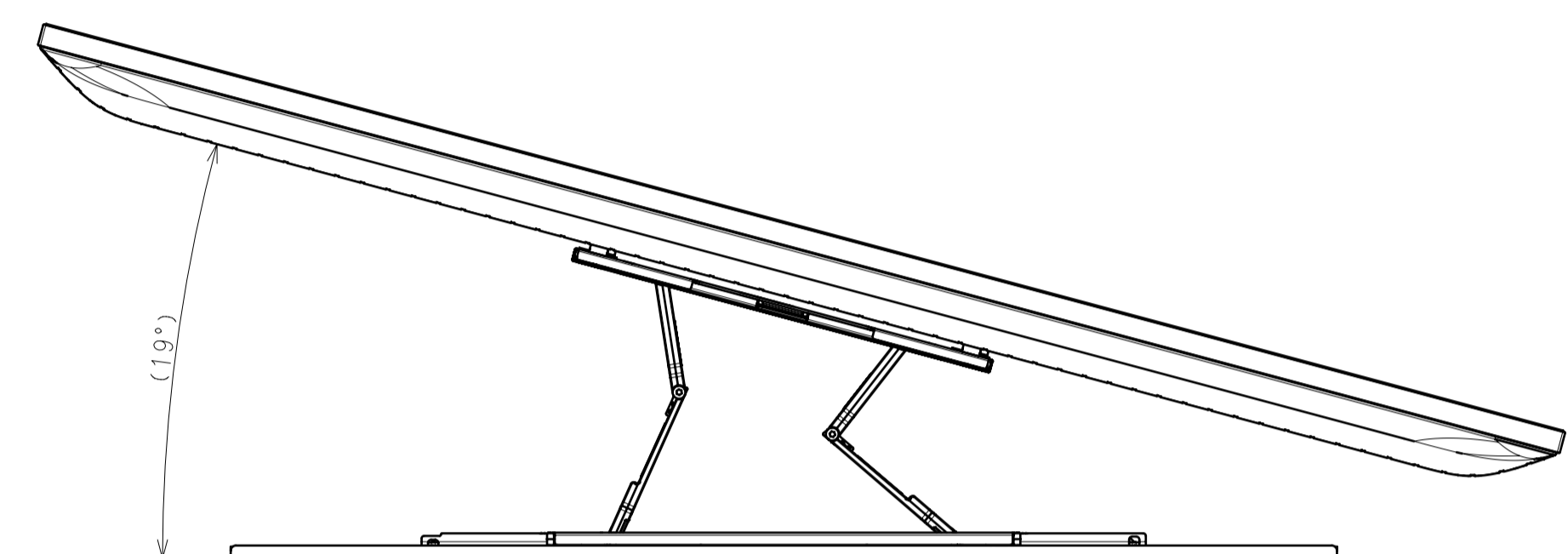
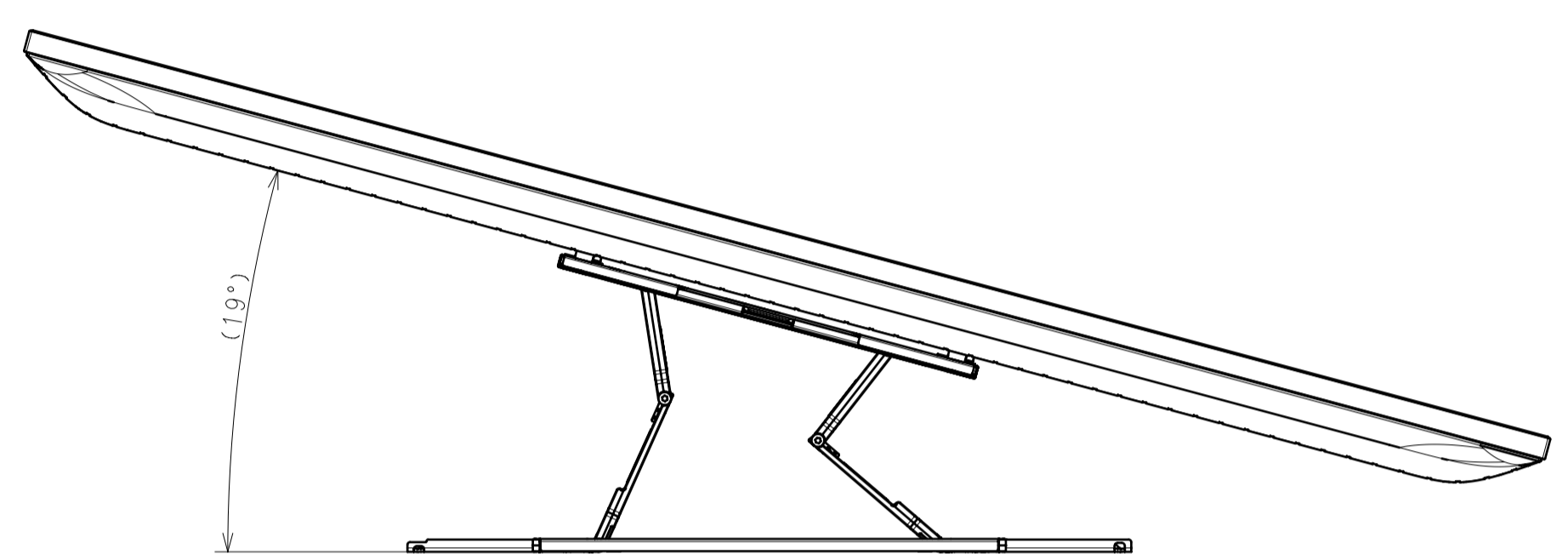
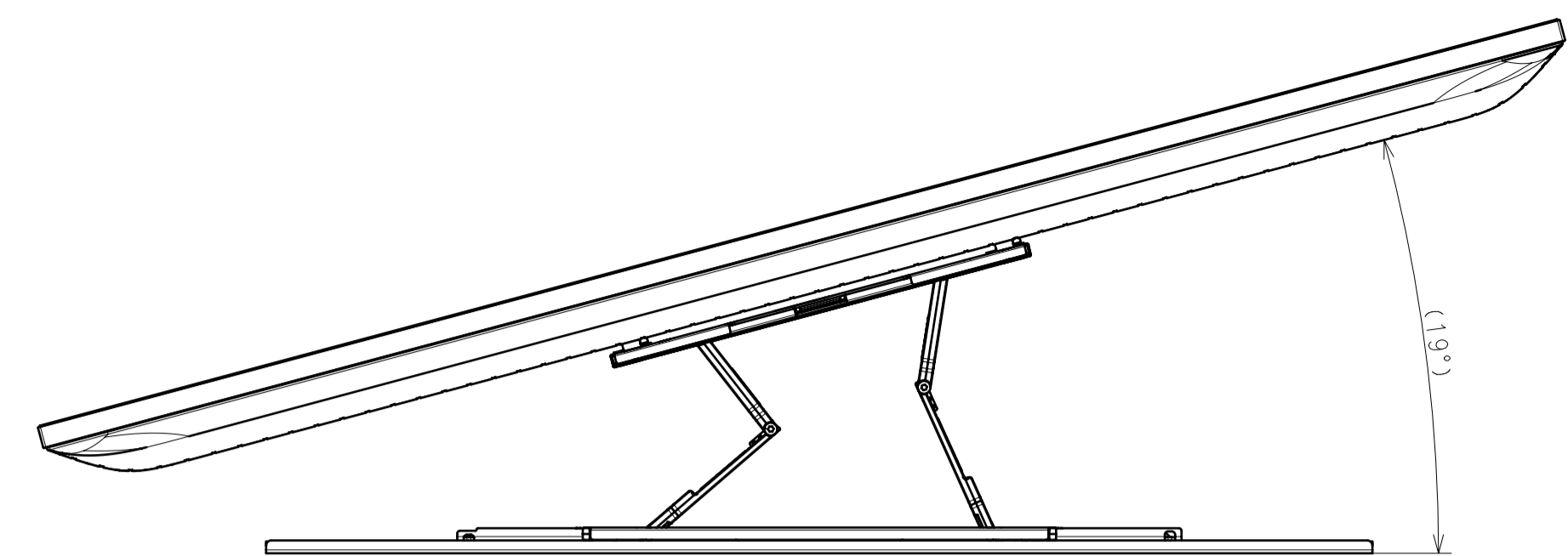
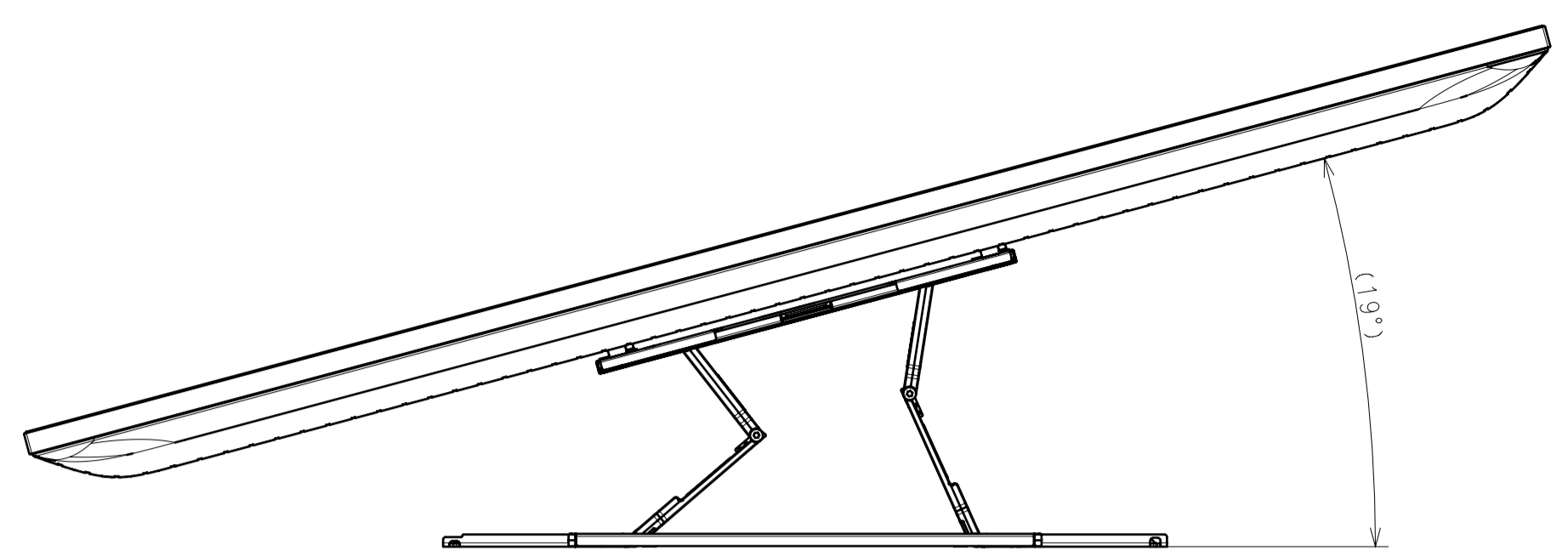


SONY STANDARD  
DRAWING

DESCRIPTION 1	LEGAL OWNER	SCALE
55 (XR70) EXTERIOR VIEW	Sony Corporation	1:5
DESCRIPTION 2	PART NO.	SHEET/PAGES
55 (XR70) EXTERIOR VIEW		5 / 7

SU-WL850

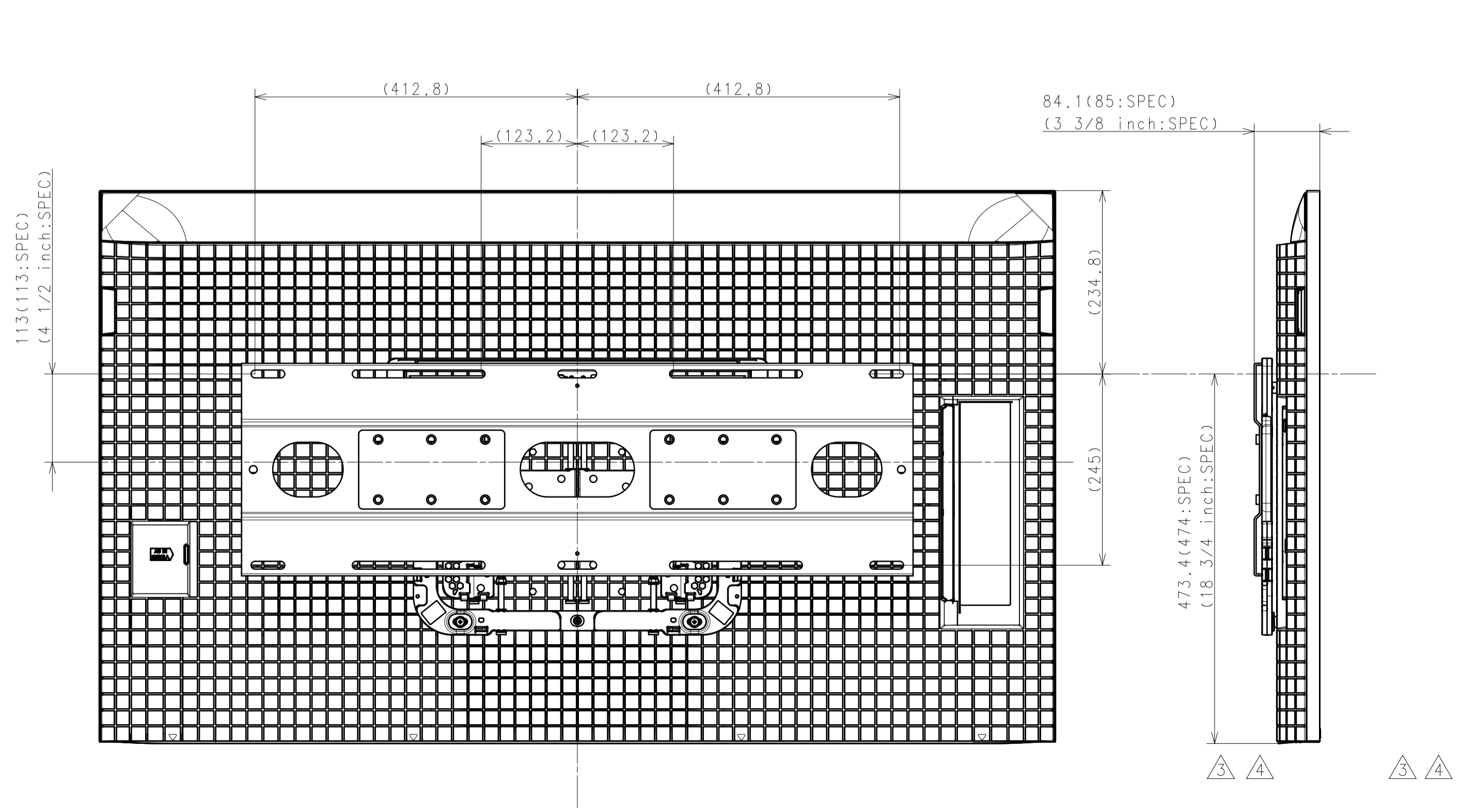
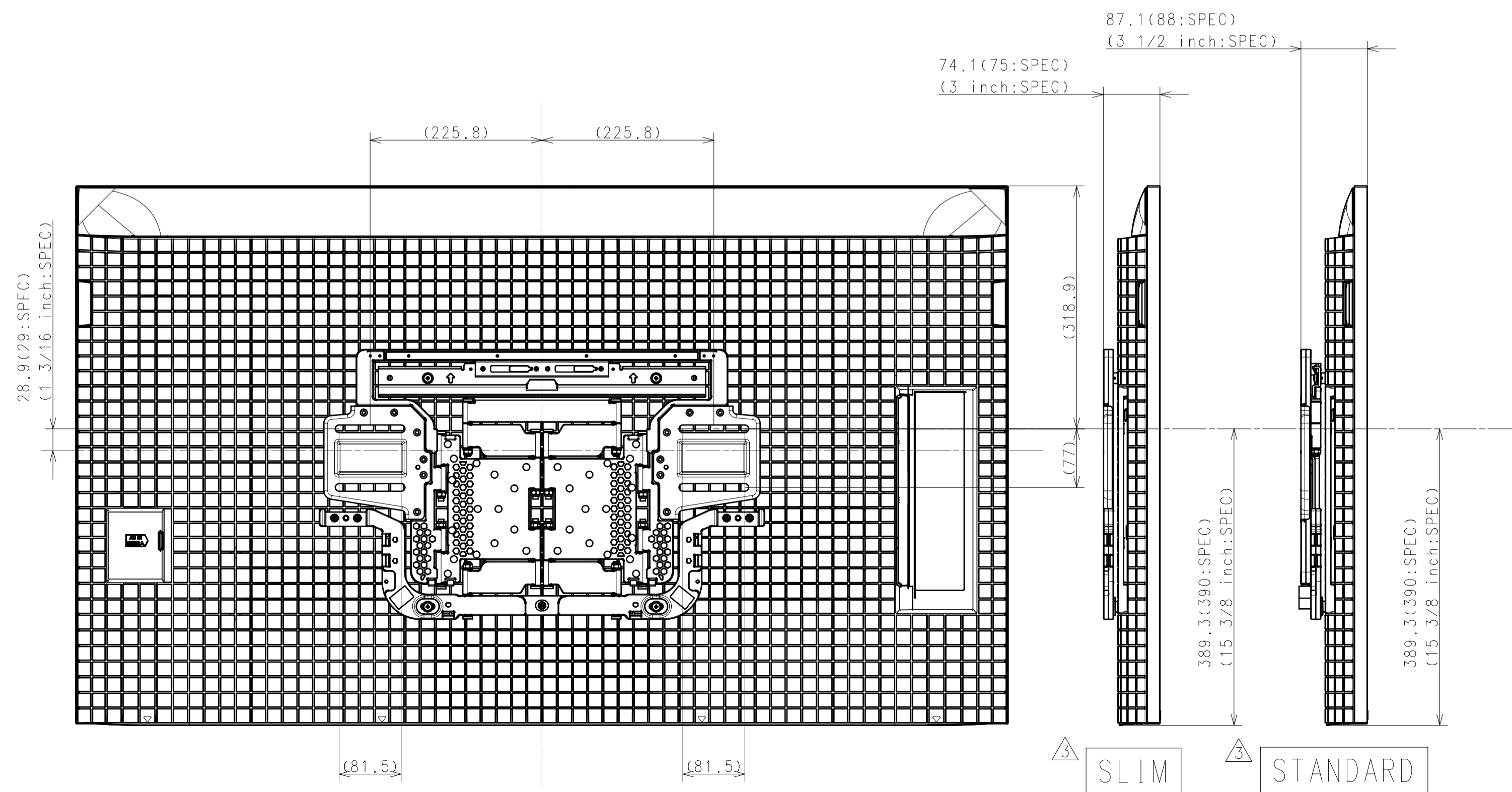
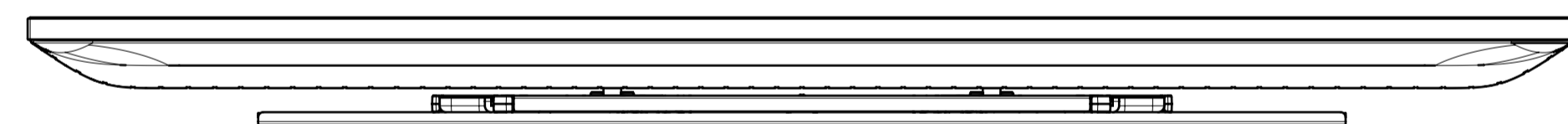
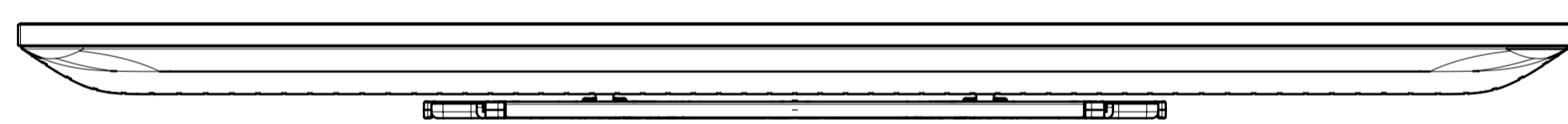
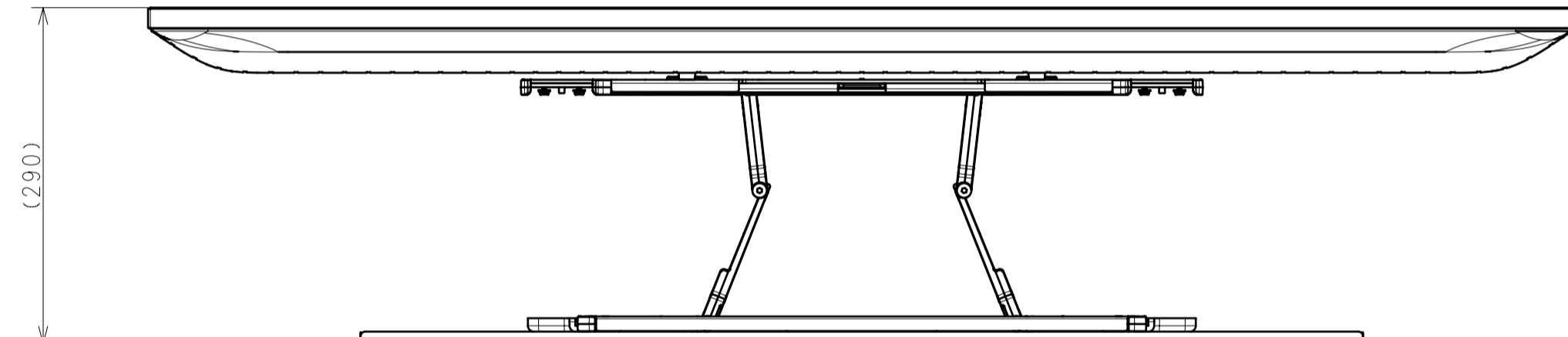
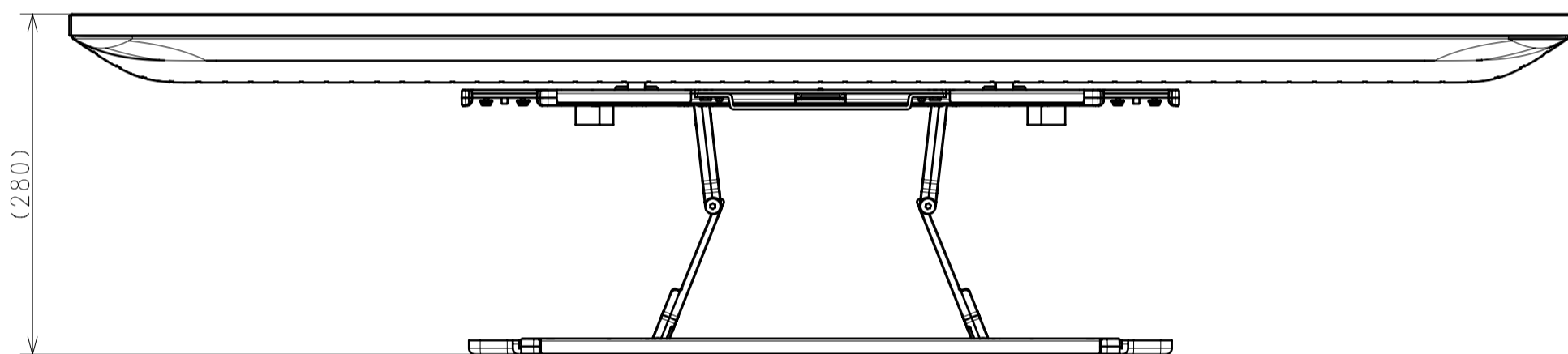
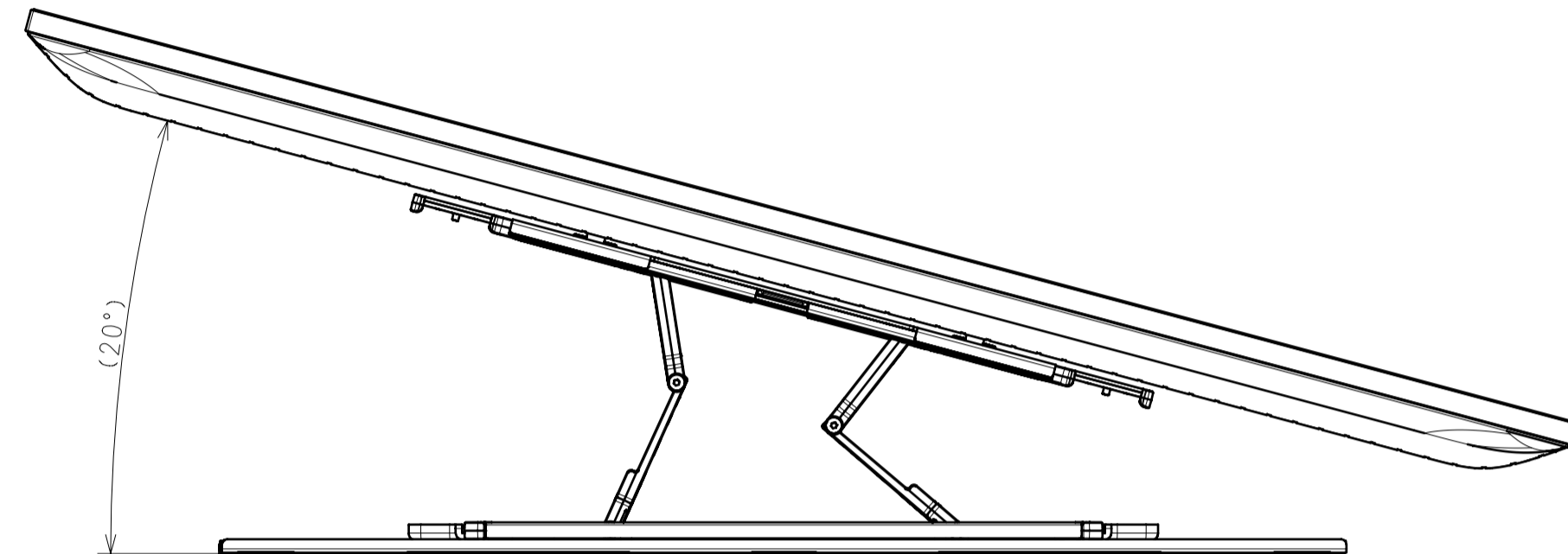
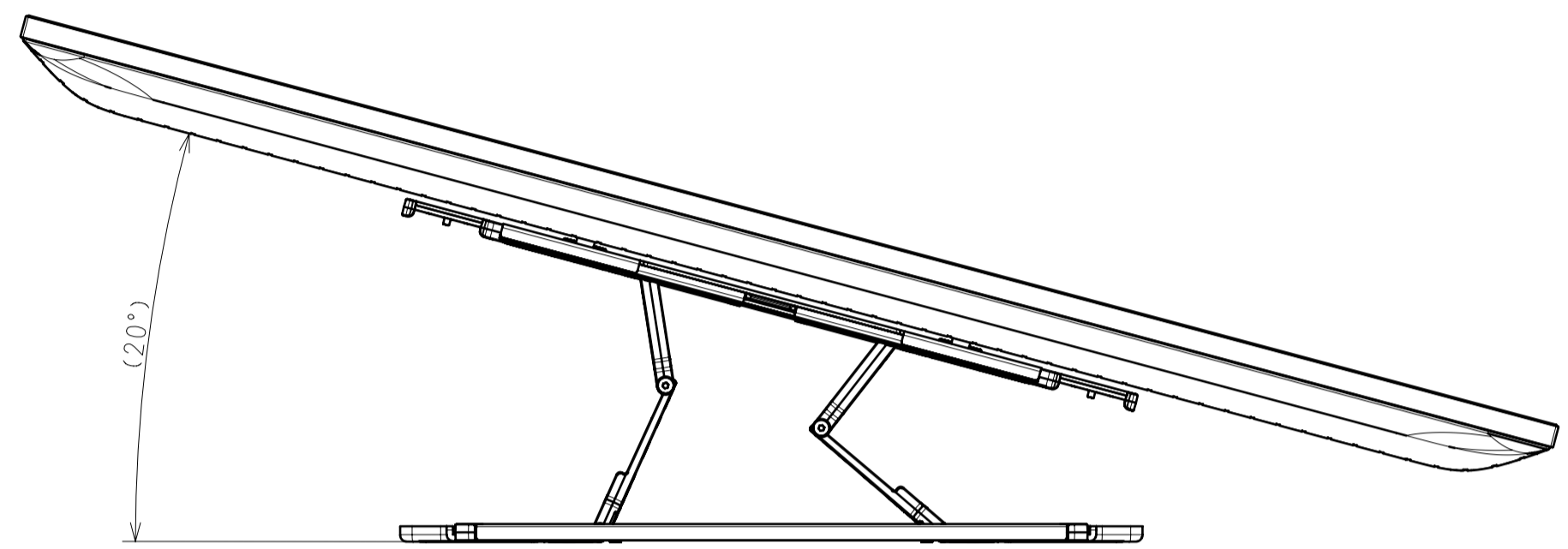
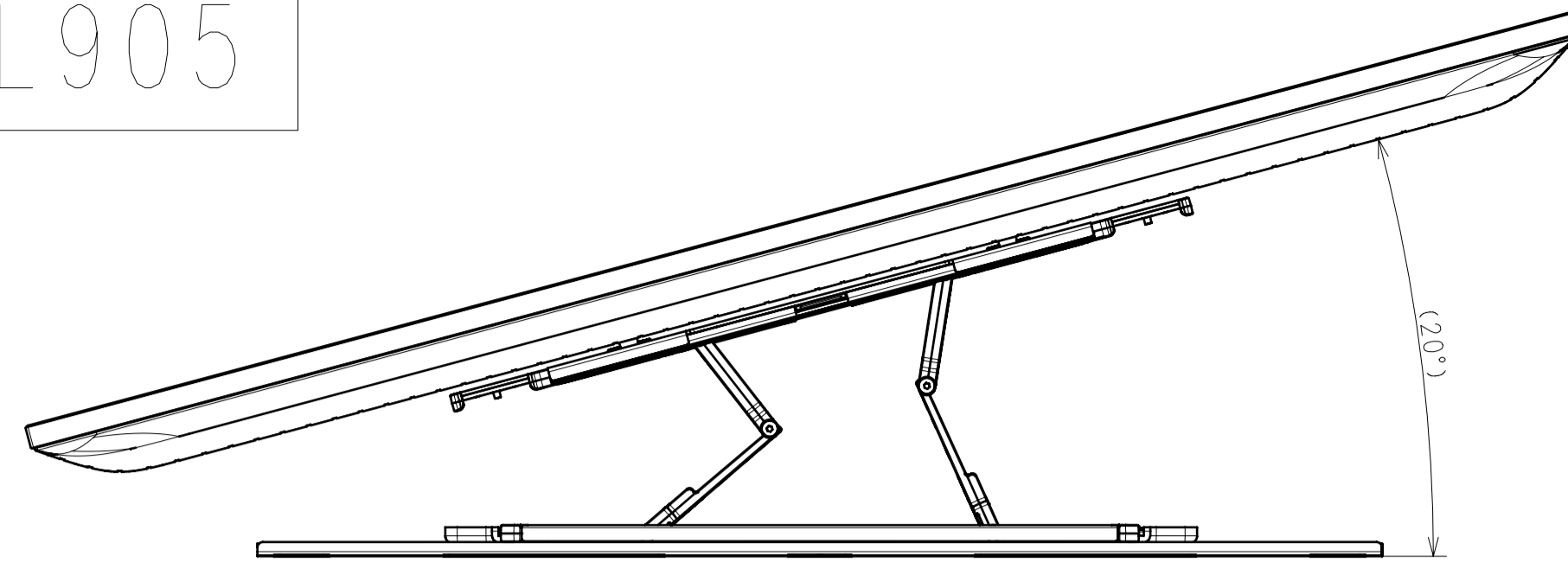
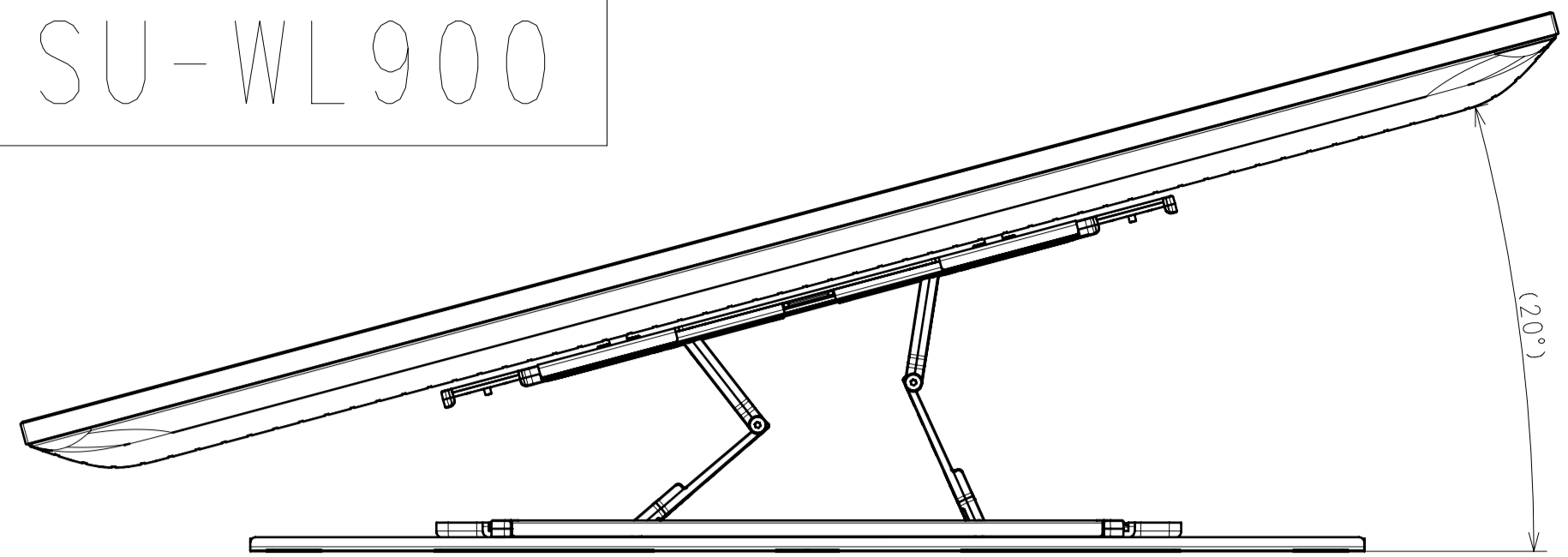
SU-WL855



DESCRIPTION 1	LEGAL OWNER	SCALE
55 (XR70) EXTERIOR VIEW	Sony Corporation	1:5
DESCRIPTION 2	PART NO.	SHEET/PAGES
55 (XR70) EXTERIOR VIEW		6 / 7

SU-WL900

SU-WL905



SLIM

STANDARD

DESCRIPTION 1	55 (XR70) EXTERIOR VIEW	LEGAL OWNER	Sony Corporation	SCALE	1:5
DESCRIPTION 2	55 (XR70) EXTERIOR VIEW	PART NO.		SHEET/PAGES	7 / 7