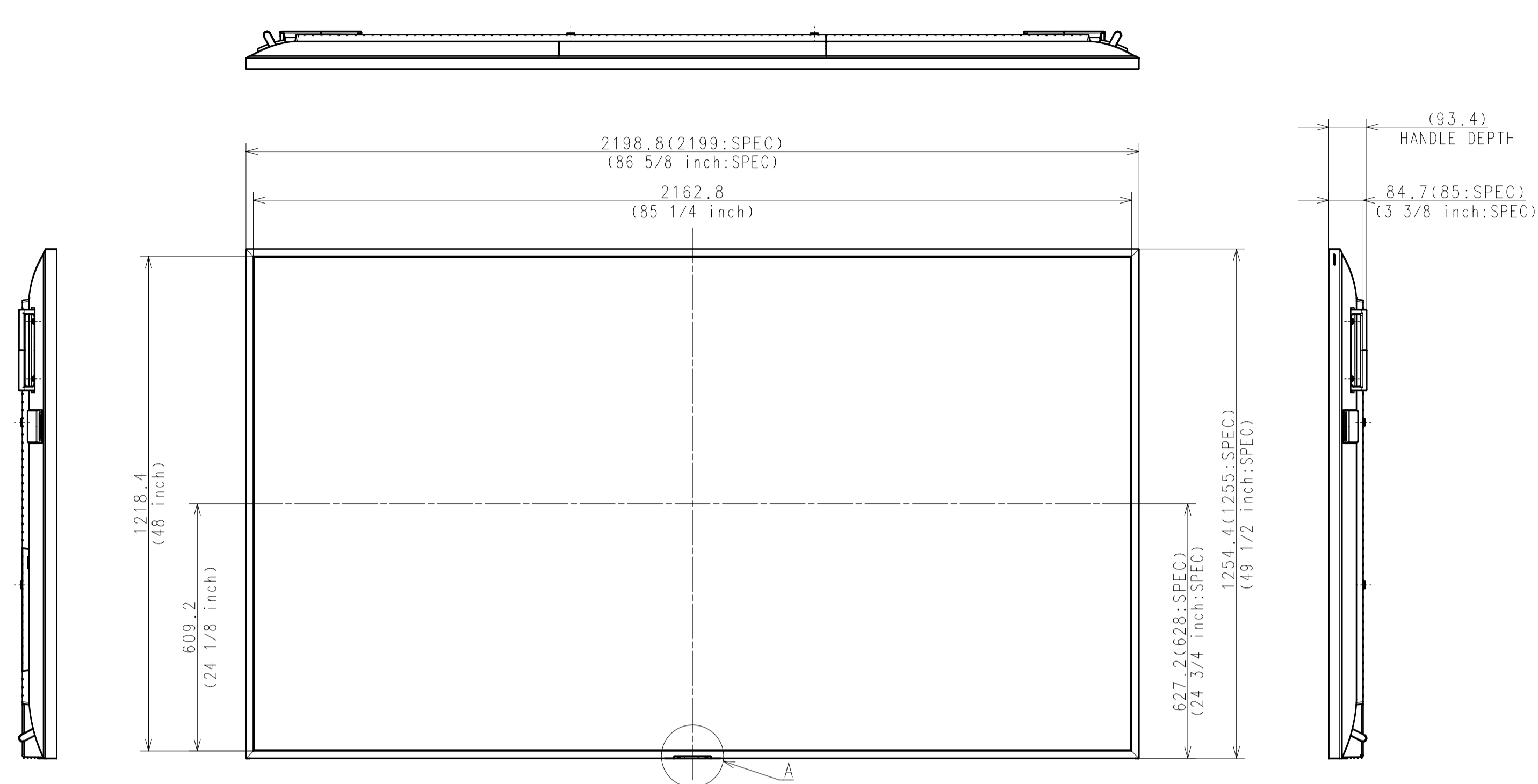


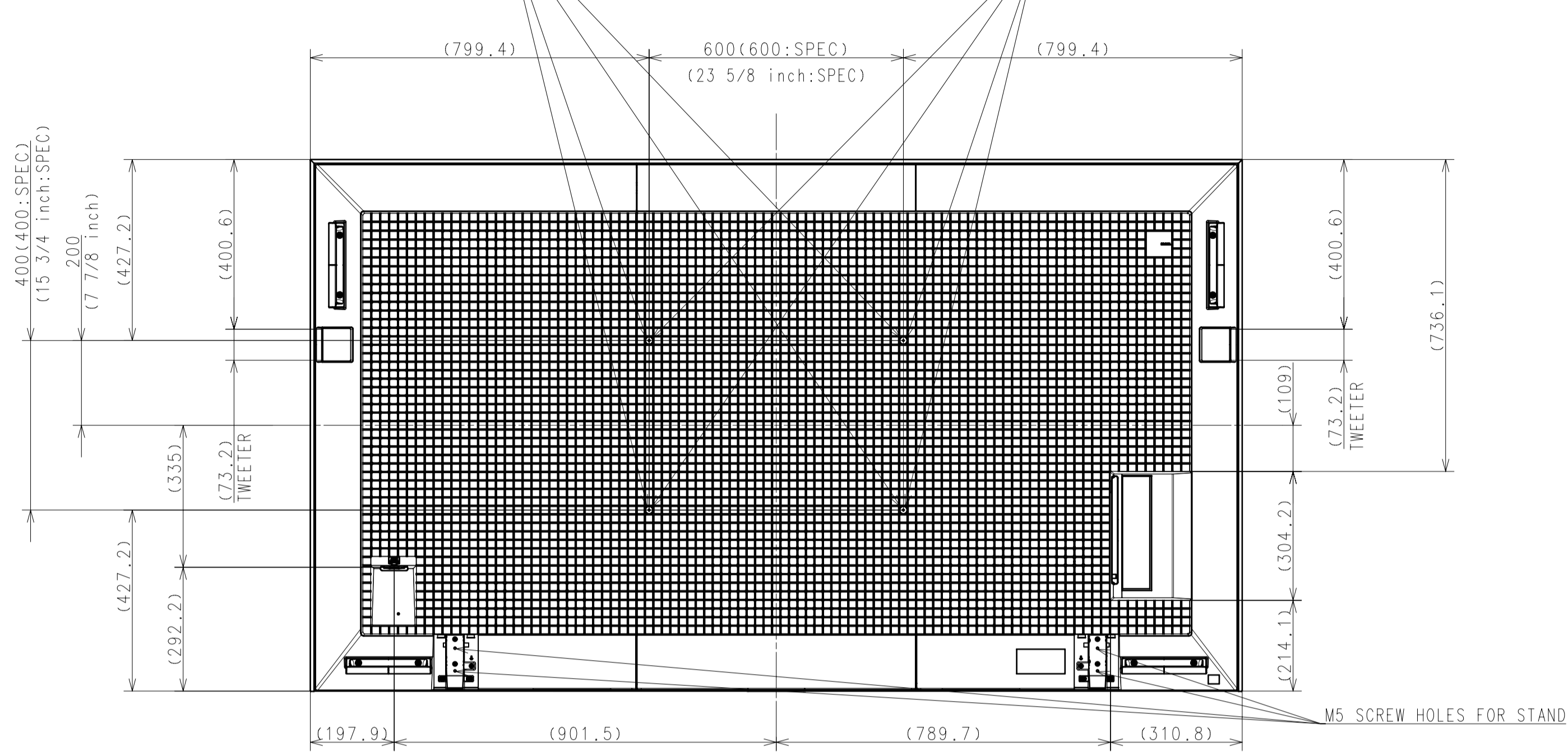


WITHOUT STAND

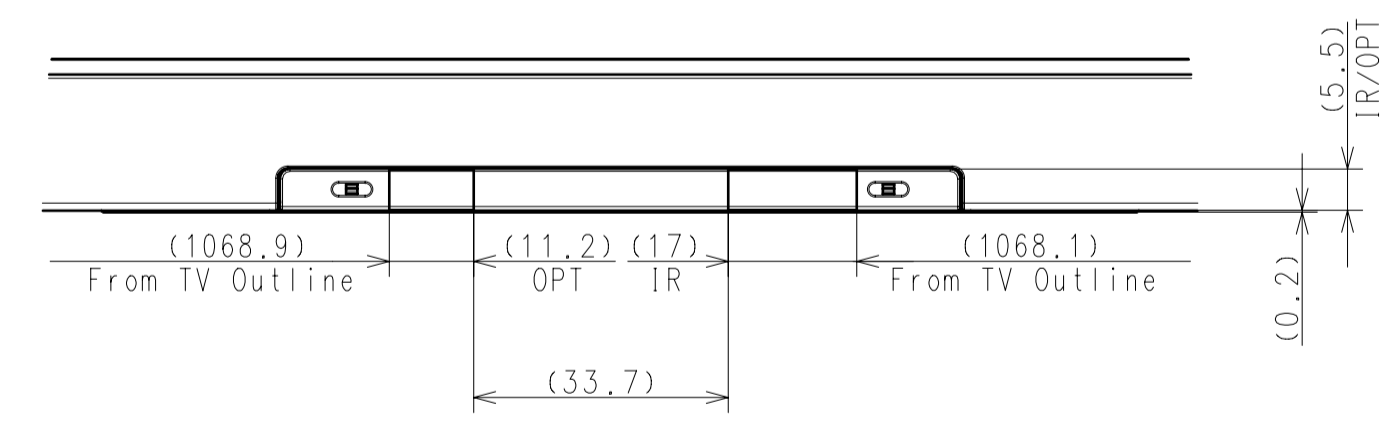
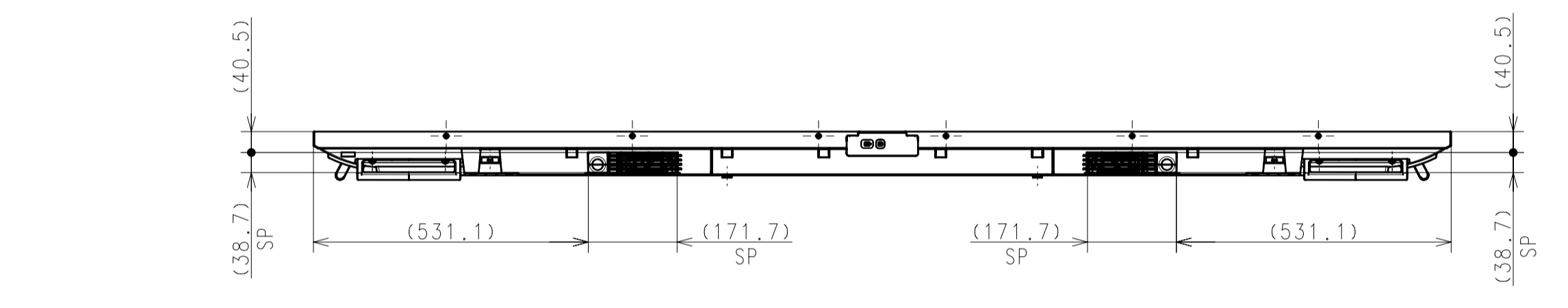


M8 HOLES FOR WALL MOUNT BRACKET  
\*REFER TO INSTRUCTION MANUAL FOR SCREW LENGTH INFORMATION

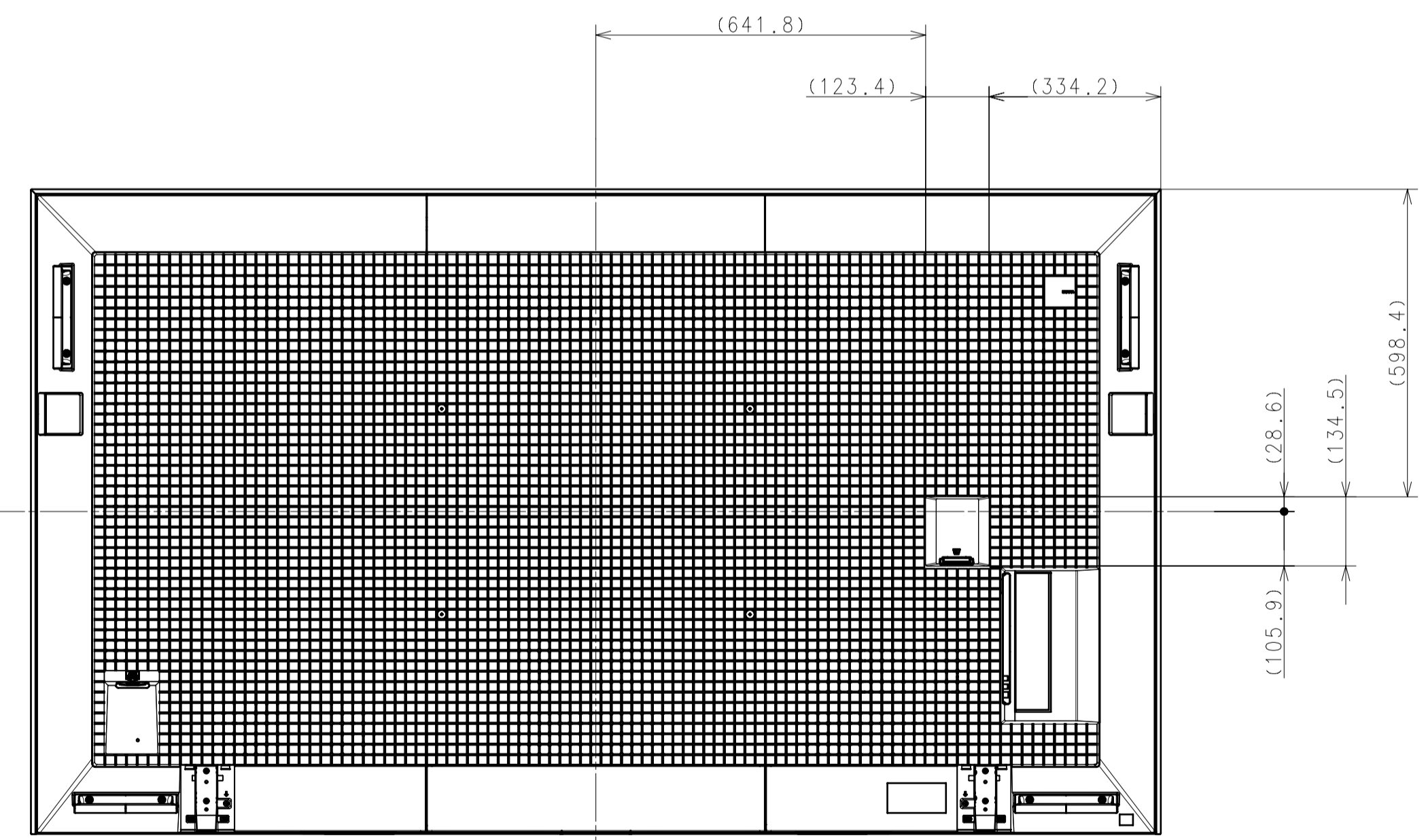
M8 HOLES FOR SECURING HARDWARE  
(BELT, ROPE OR CHAIN)



FOR EXCEPT EUROPE



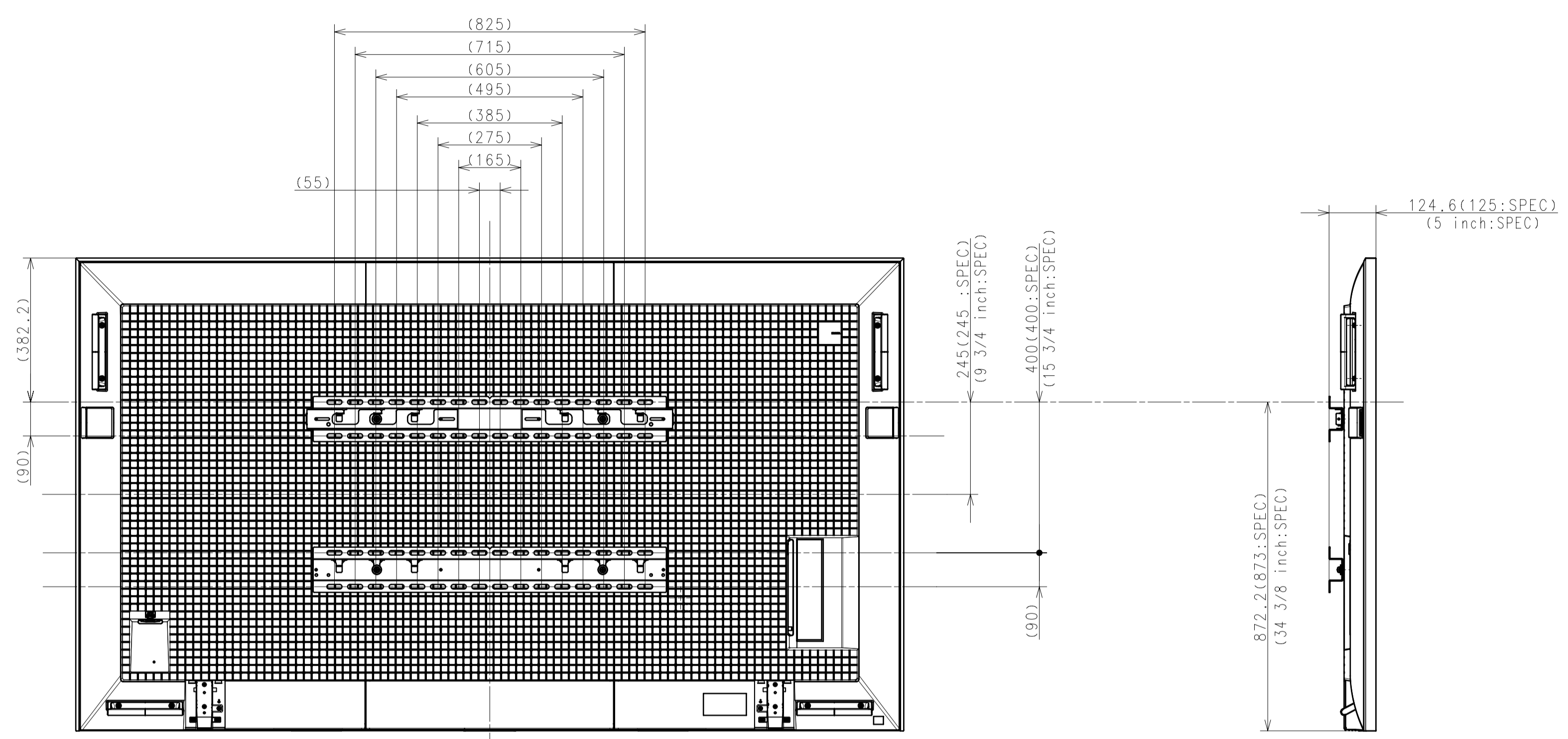
A  
1:1



FOR EUROPE

DESCRIPTION 1	LEGAL OWNER	SCALE
98 (X90L) EXTERIOR VIEW	Sony Corporation	T:1
DESCRIPTION 2	PART NO.	SHEET/PAGES
98 (X90L) EXTERIOR VIEW		2 / 3

SU-WL460 (CHINA ONLY)



DRAWING

SONY STANDARD

DESCRIPTION	LEGAL OWNER	SCALE
98 (X90L) EXTERIOR VIEW	Sony Corporation	1:1
DESCRIPTION	PART NO.	SHEET/PAGES
98 (X90L) EXTERIOR VIEW		3 / 3