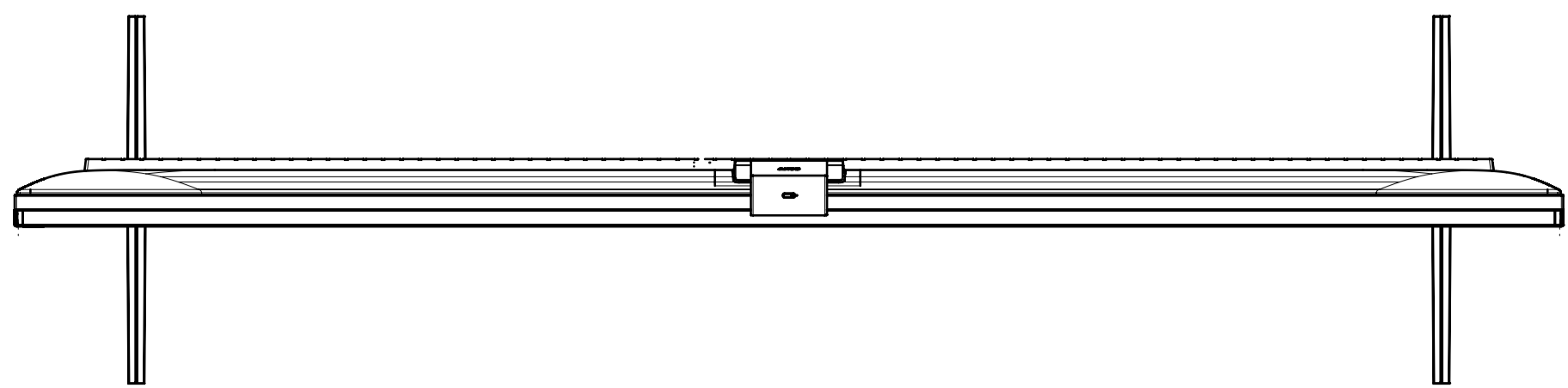


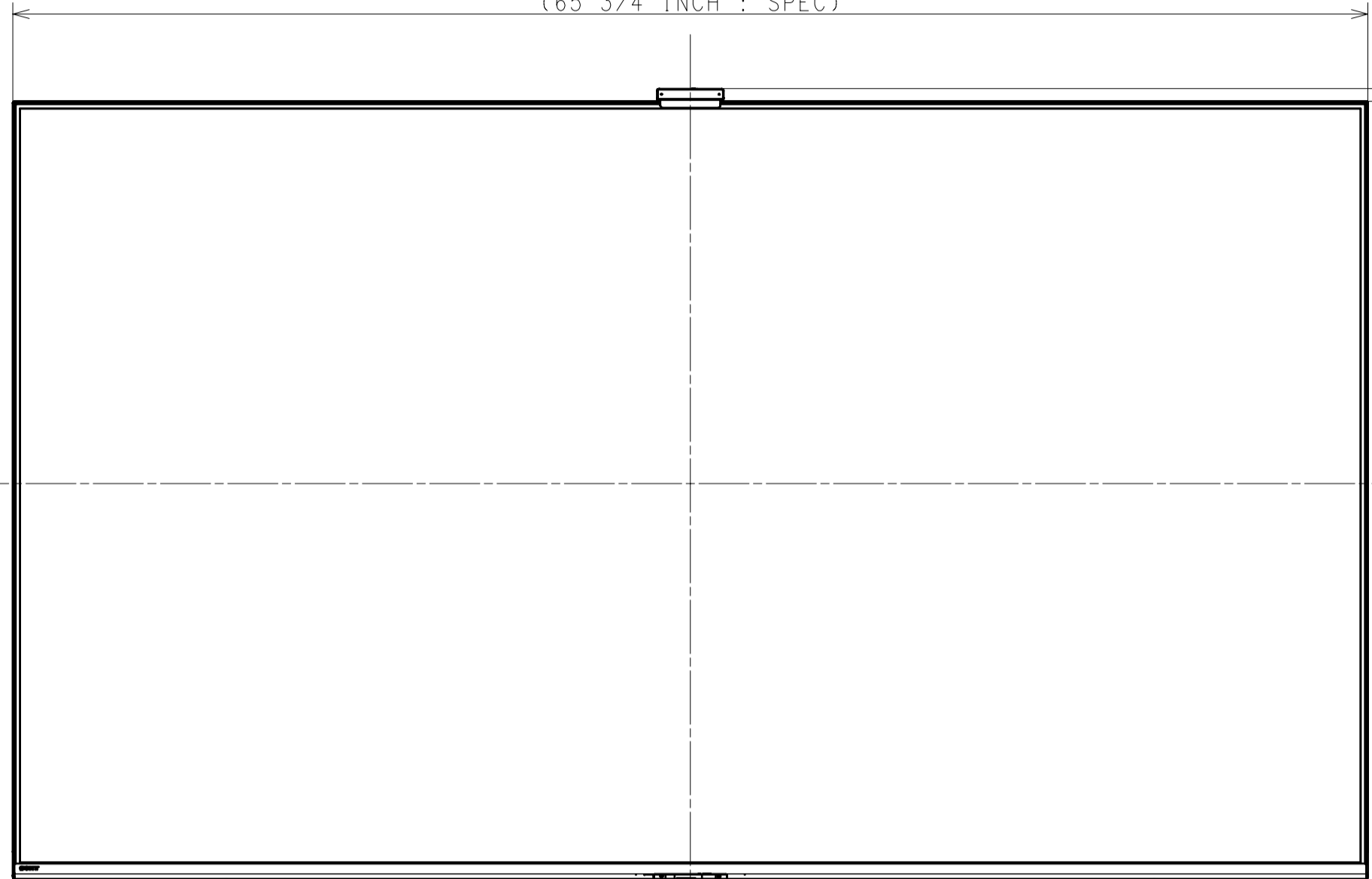


WITH STAND

SOUND BAR POSITION



1668(1668 : SPEC)  
(65 3/4 INCH : SPEC)



1425.6(1426 : SPEC)  
(56 1/4 INCH : SPEC)

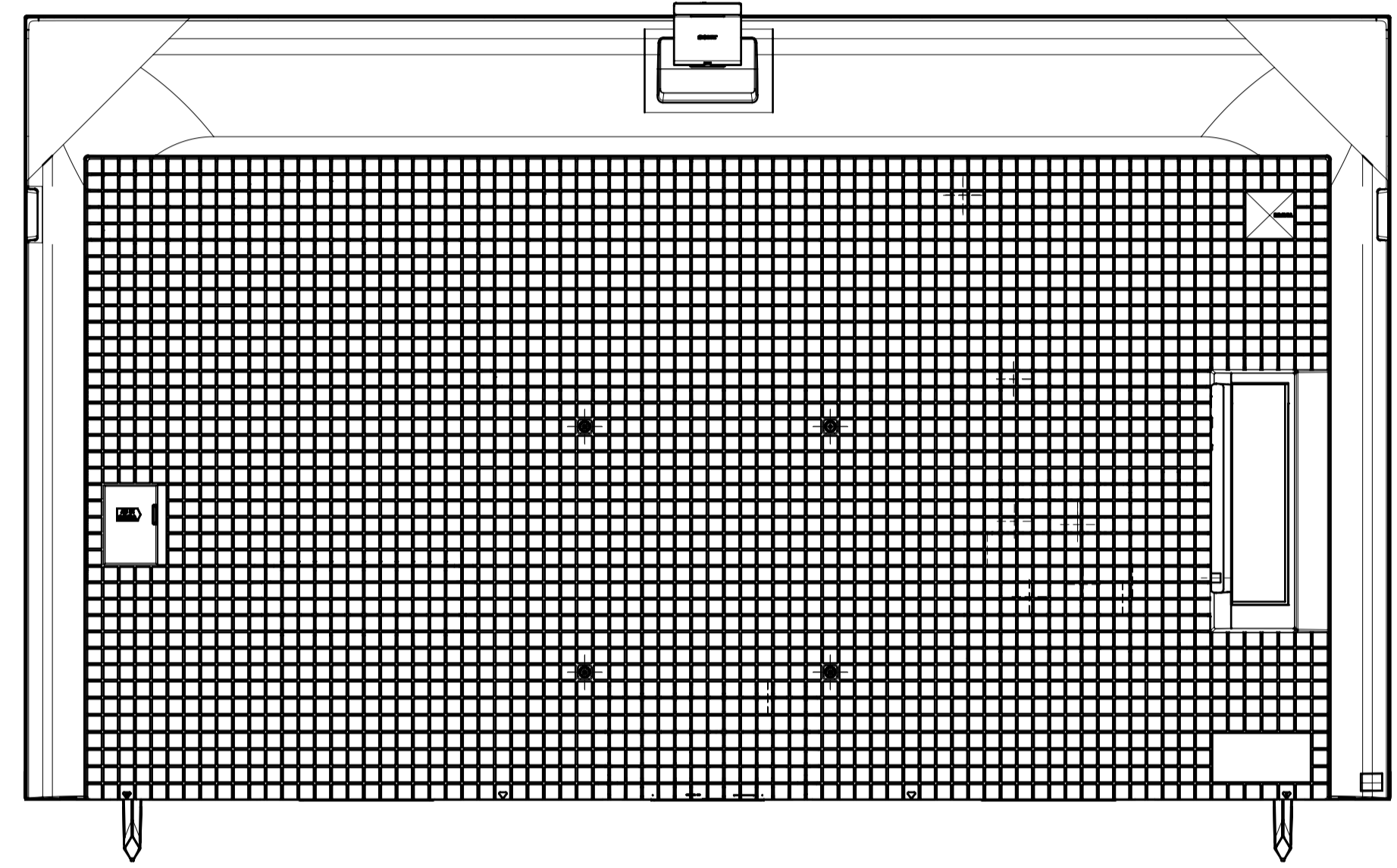
487.7  
(19 1/4 INCH)  
958.3  
(37 7/8 INCH)  
1031.9(1032 : SPEC)  
(40 3/4 INCH : SPEC)  
1047.5(1048 : SPEC)  
(41 3/8 INCH : SPEC)

72.6  
(2 7/8 INCH)

70.9\*  
(2 7/8 INCH)\*

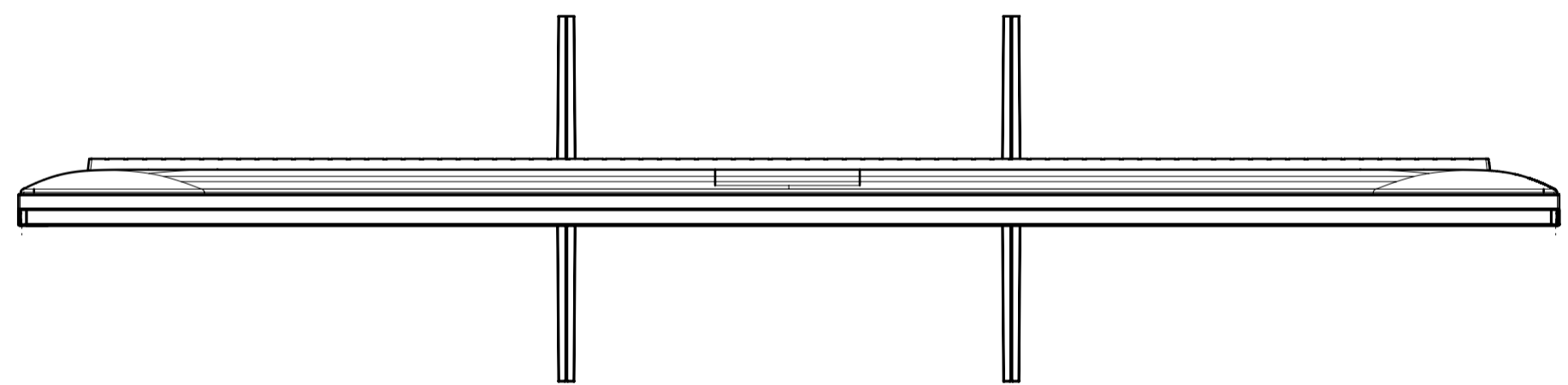
168.9  
(6 3/4 INCH)

395(395 : SPEC)  
(15 5/8 INCH : SPEC)

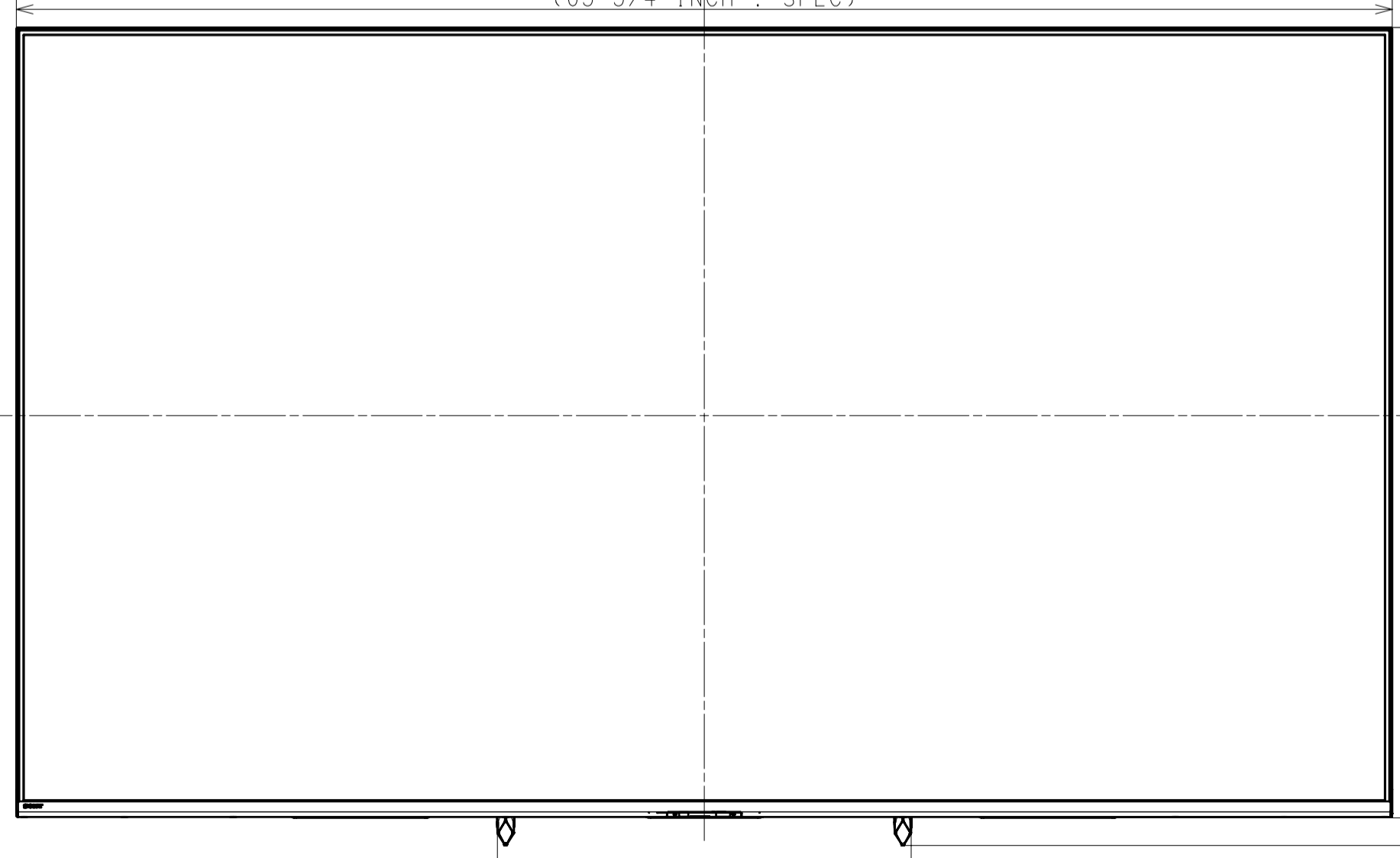


WITH STAND

NARROW POSITION



1668(1668 : SPEC)  
(65 3/4 INCH : SPEC)



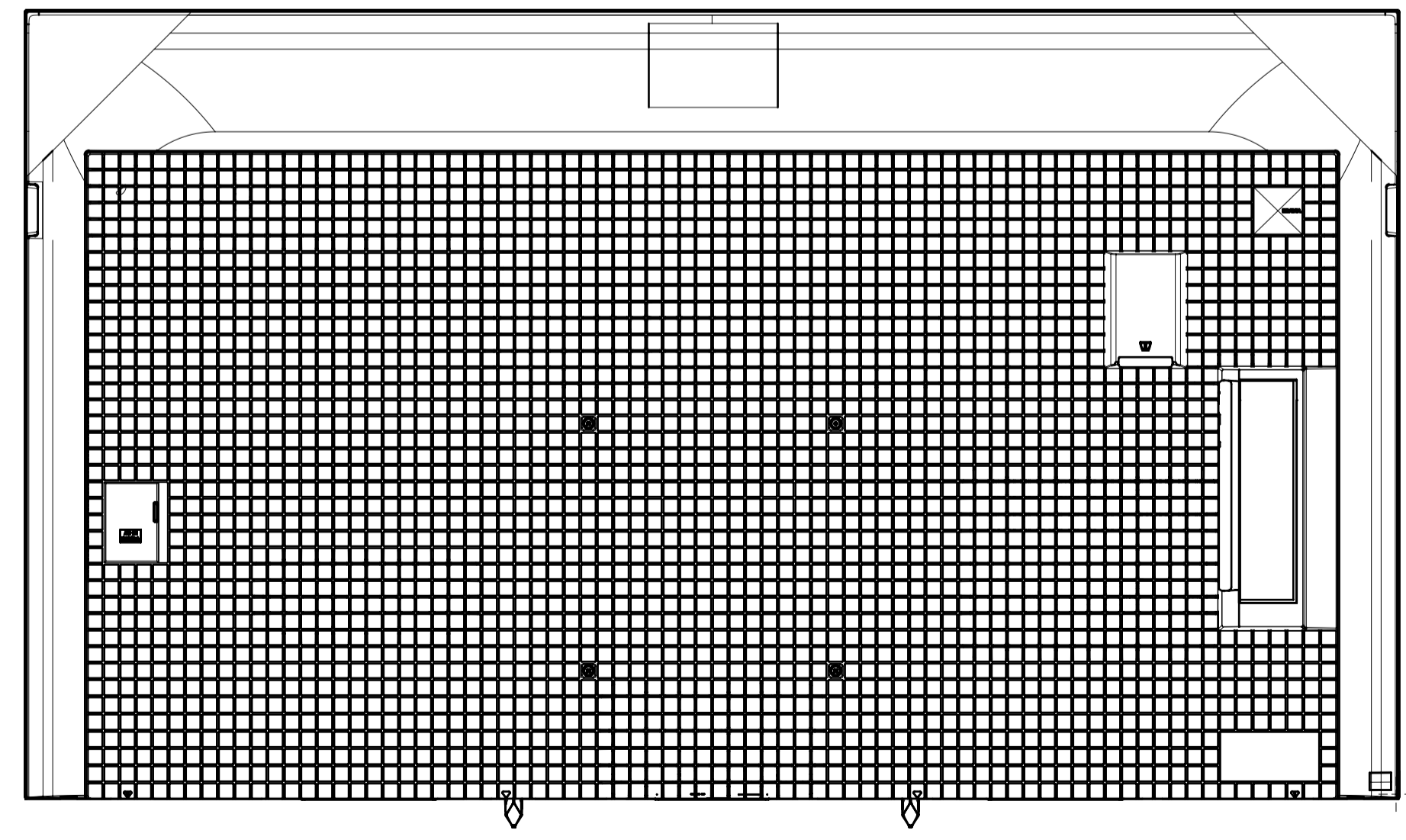
501.6(502 : SPEC)  
(19 7/8 INCH : SPEC)

487.7  
(19 1/4 INCH)  
958.3  
(37 7/8 INCH)  
991.9(992 : SPEC)  
(37 7/8 INCH : SPEC)

72.6  
(2 7/8 INCH)

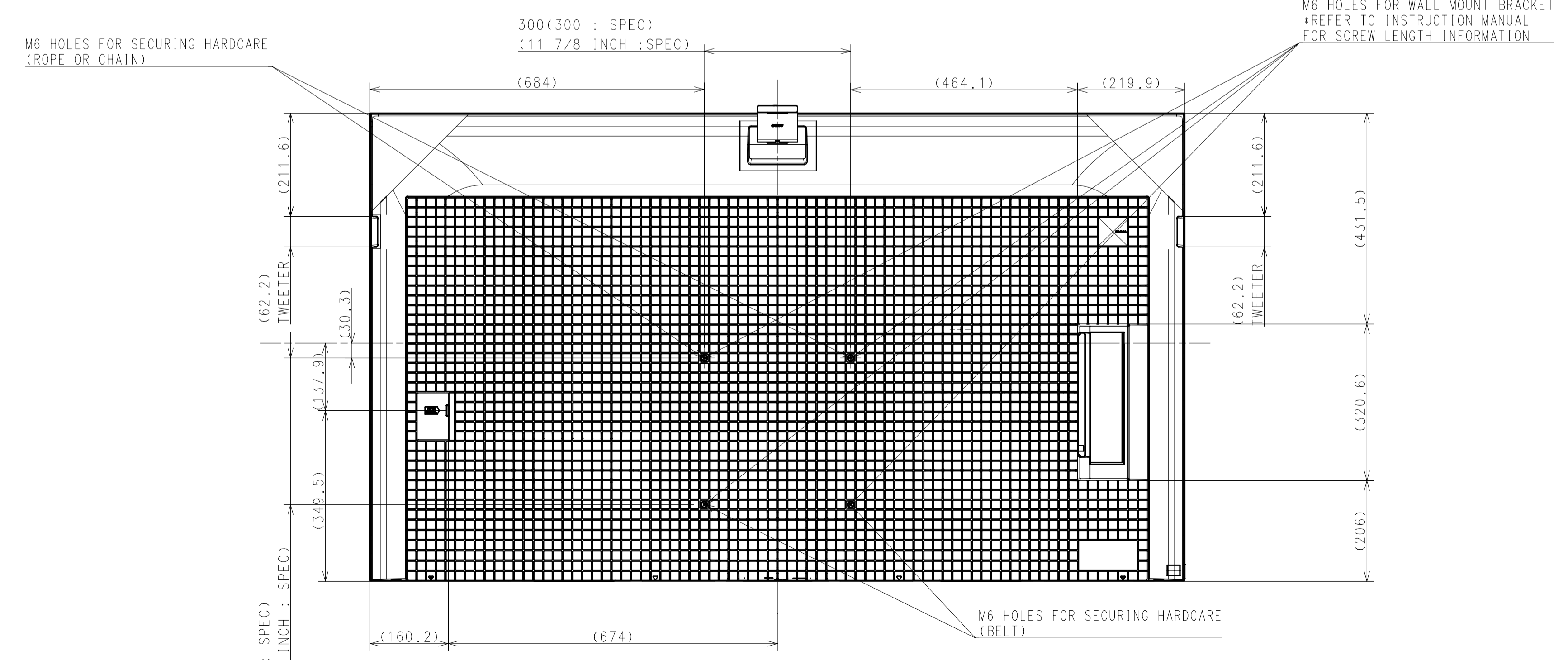
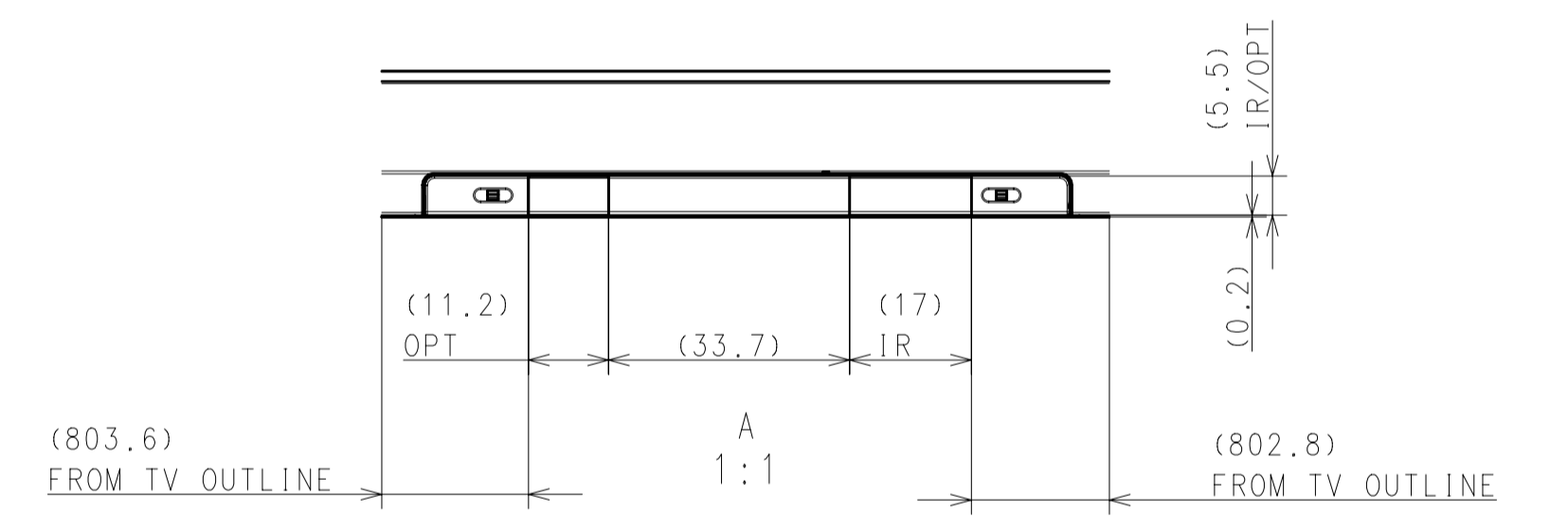
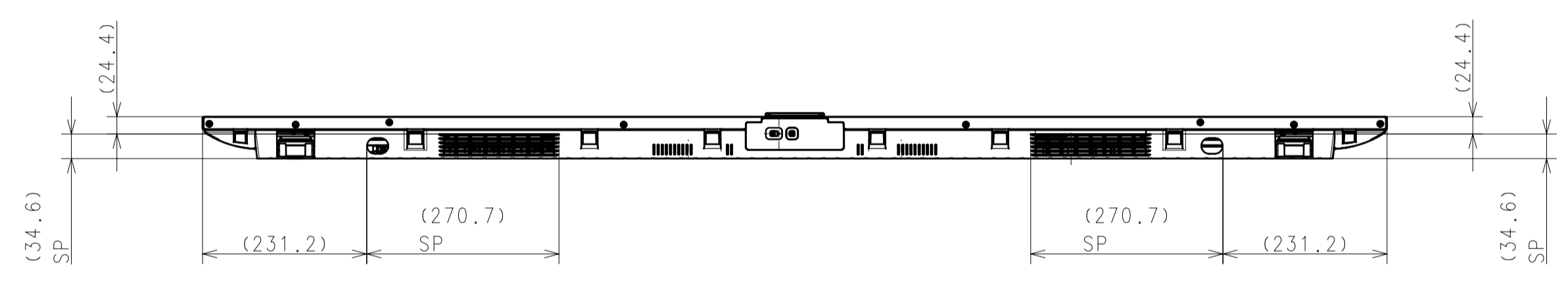
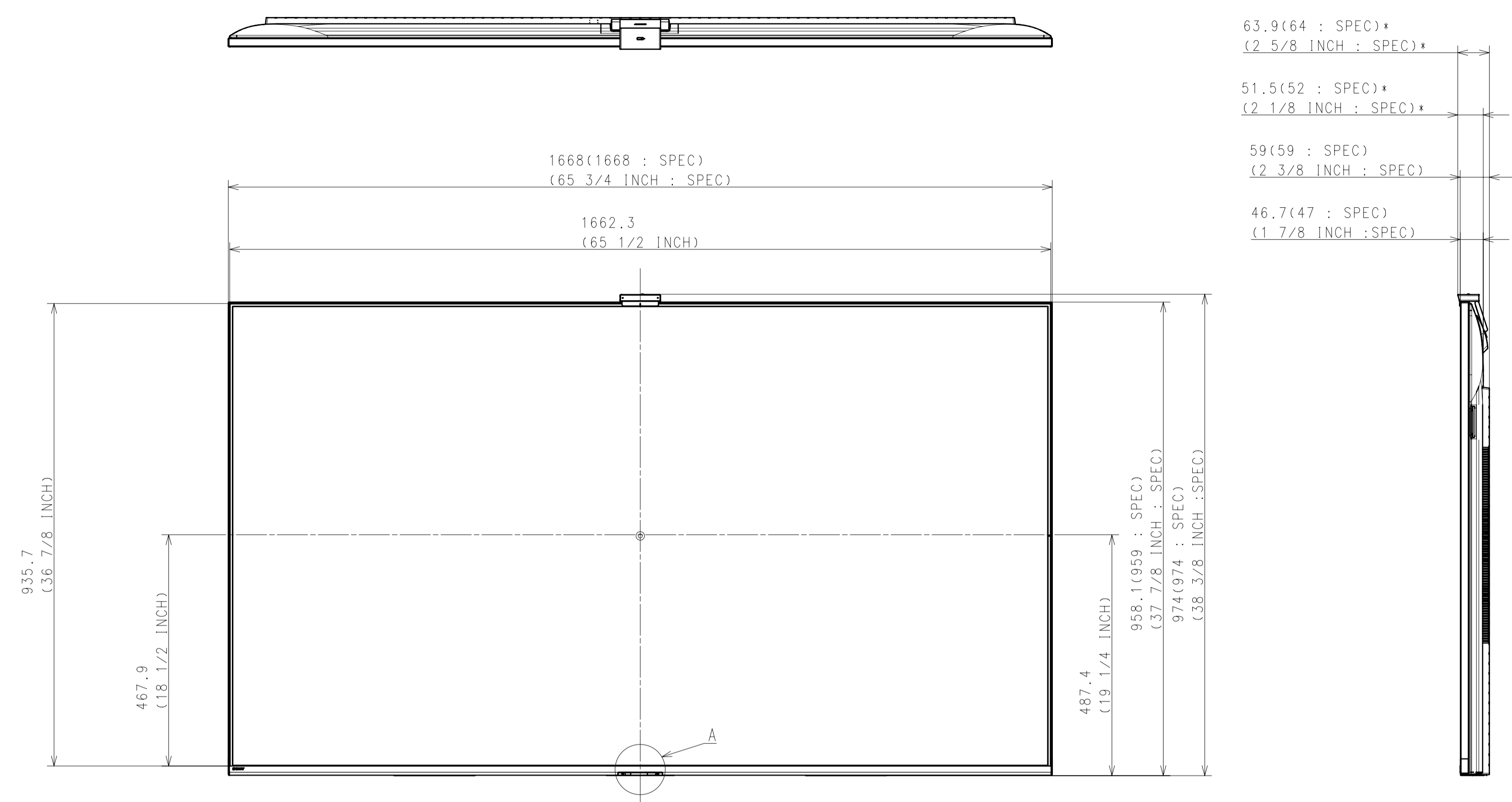
168.2  
(6 3/4 INCH)

395(395 : SPEC)  
(15 5/8 INCH : SPEC)



DESCRIPTION	LEGAL OWNER	SCALE
75 (X90L) EXTERIOR VIEW	Sony Corporation	1:7
DESCRIPTION	PART NO.	SHEET/PAGES
75 (X90L) EXTERIOR VIEW		2 / 6

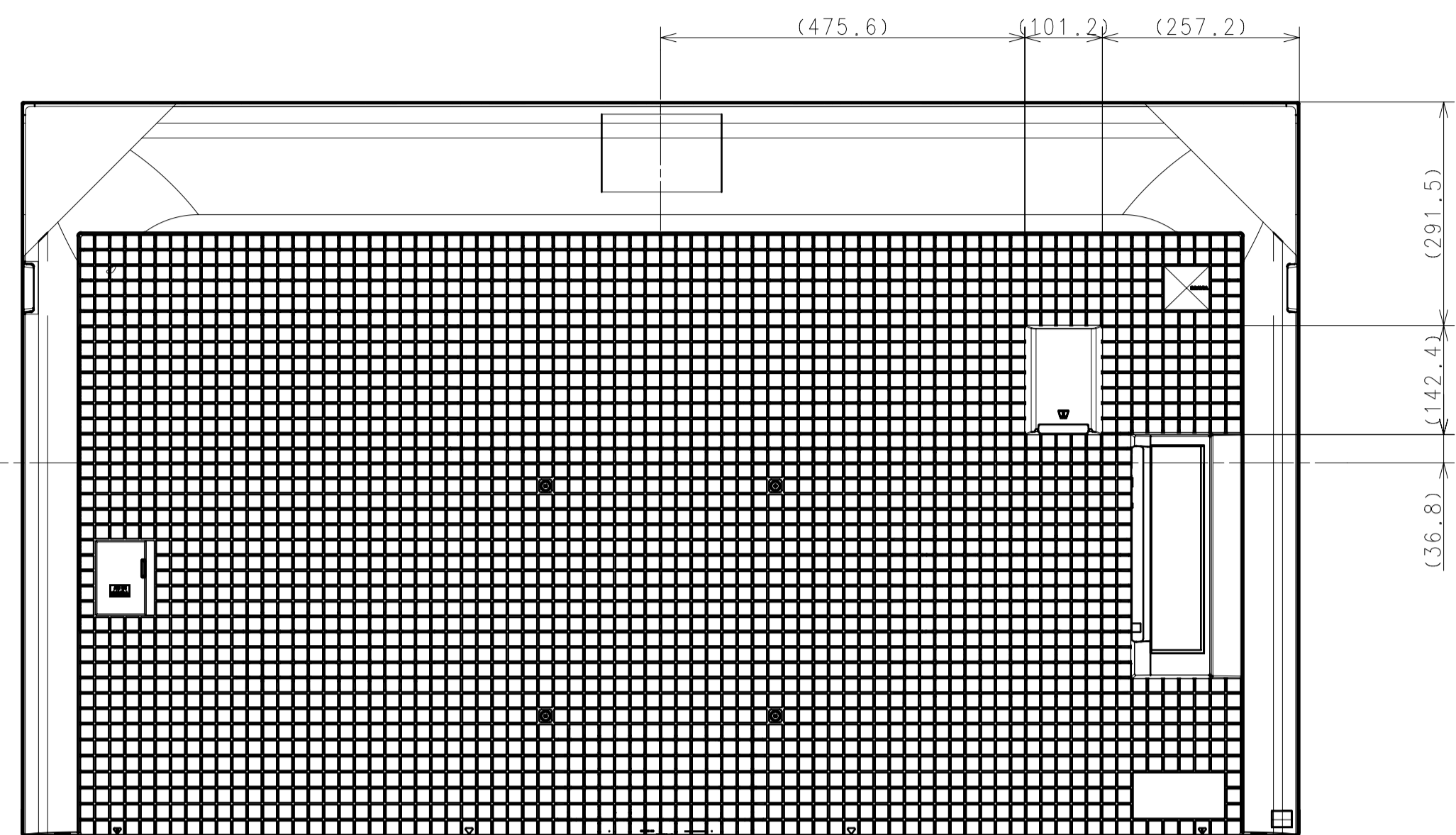
WITHOUT STAND



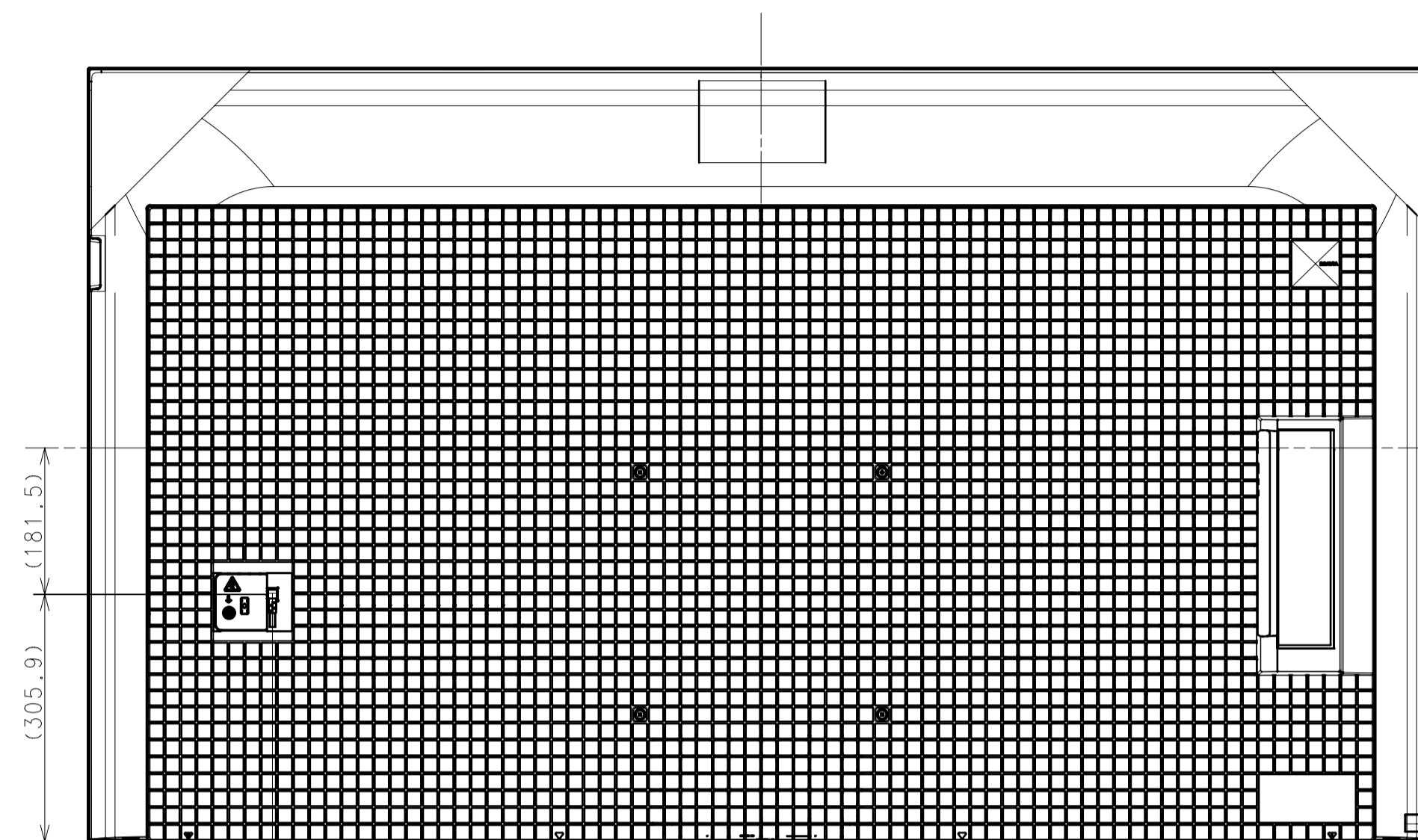
FOR CHINA DERI

DESCRIPTION 75 (X90L) EXTERIOR VIEW	LEGAL OWNER Sony Corporation	SCALE 1:7
DESCRIPTION 75 (X90L) EXTERIOR VIEW	PART NO.	SHEET/PAGES 3/6

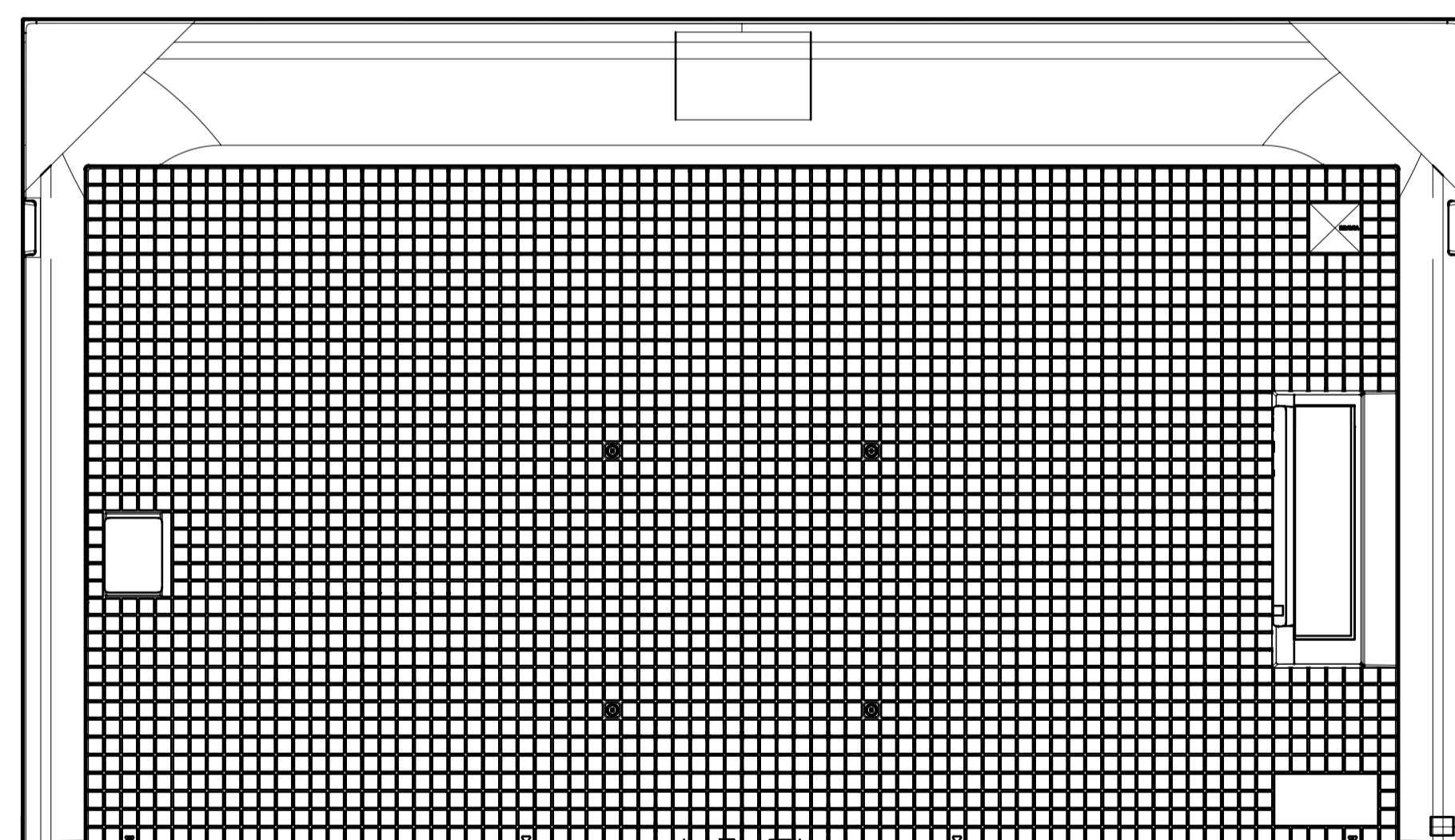
WITHOUT STAND



FOR EUROPE



FOR JAPAN, LATIN AMERICA



FOR GENERAL AREA, CHINA

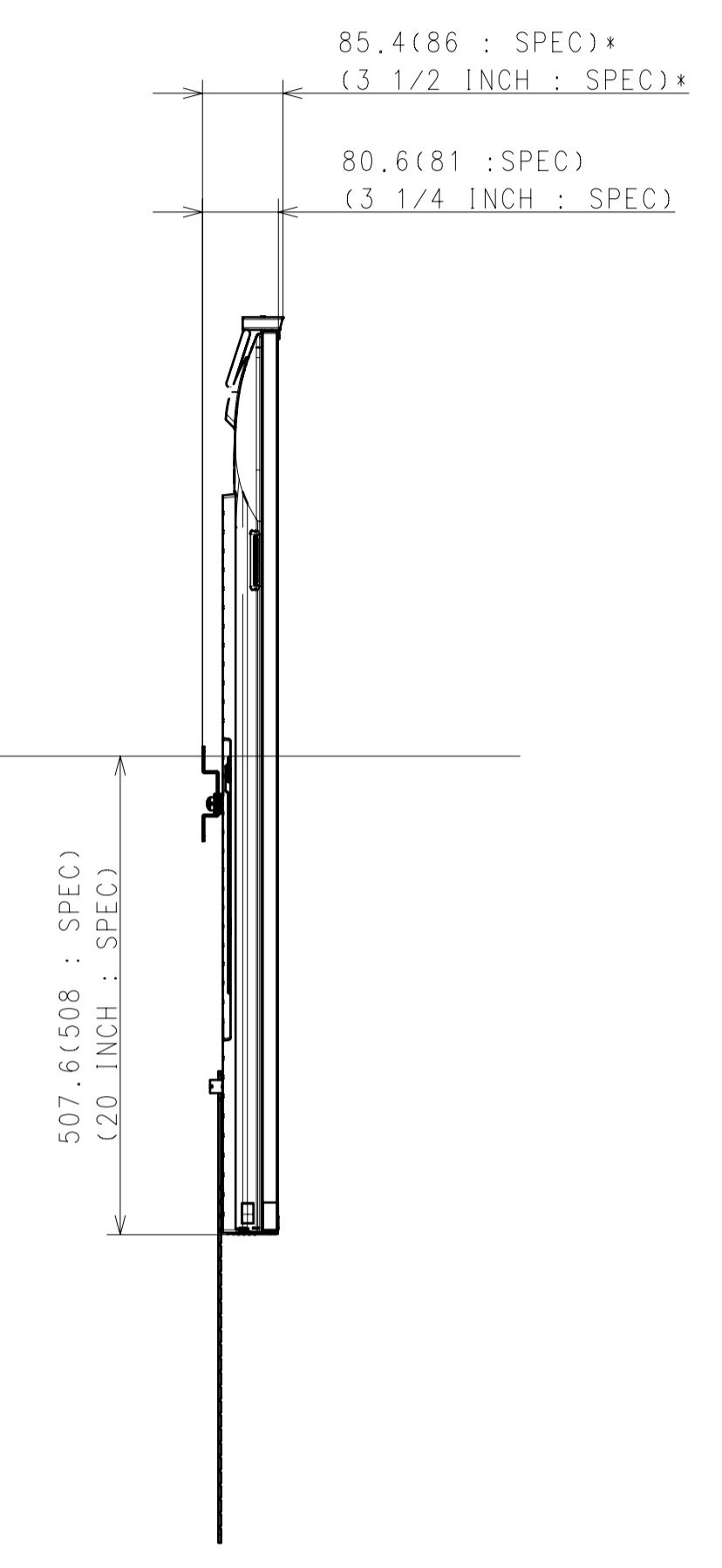
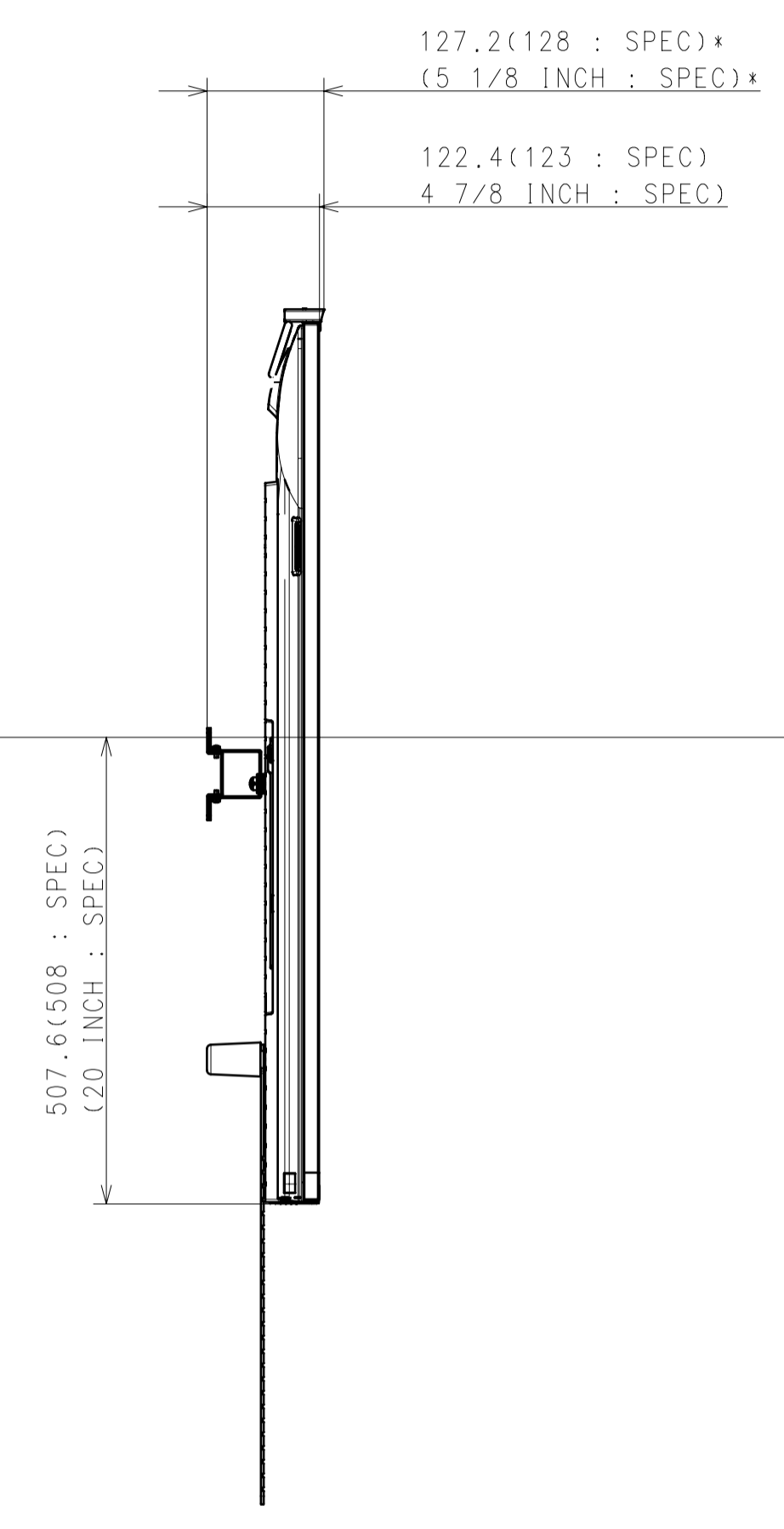
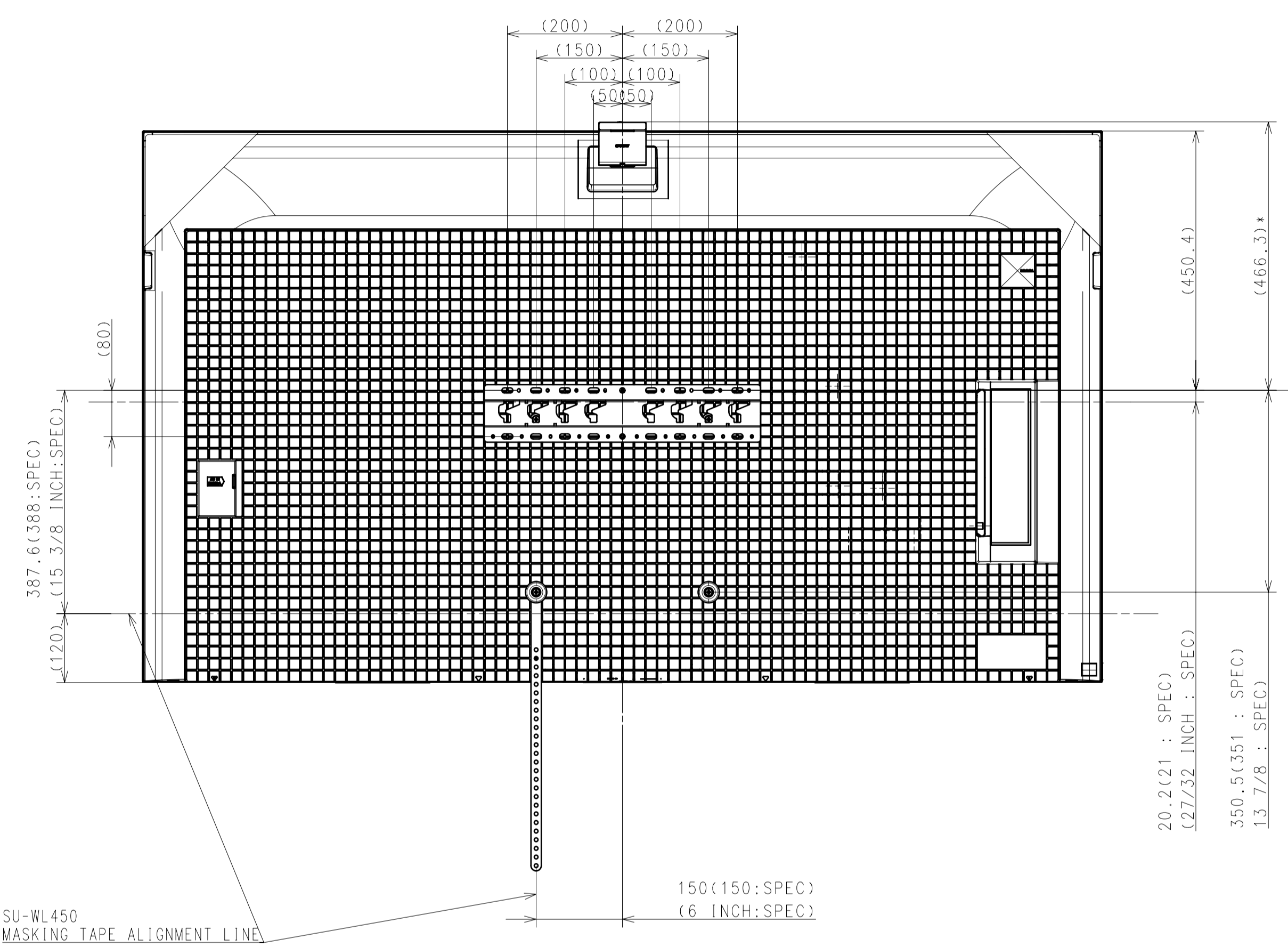
SONY STANDARD  
DRAWING

DESCRIPTION	LEGAL OWNER	SCALE
75 (X90L) EXTERIOR VIEW	Sony Corporation	1:7
DESCRIPTION	PART NO.	SHEET/PAGES
75 (X90L) EXTERIOR VIEW		4 / 6

SU-WL450

STANDARD

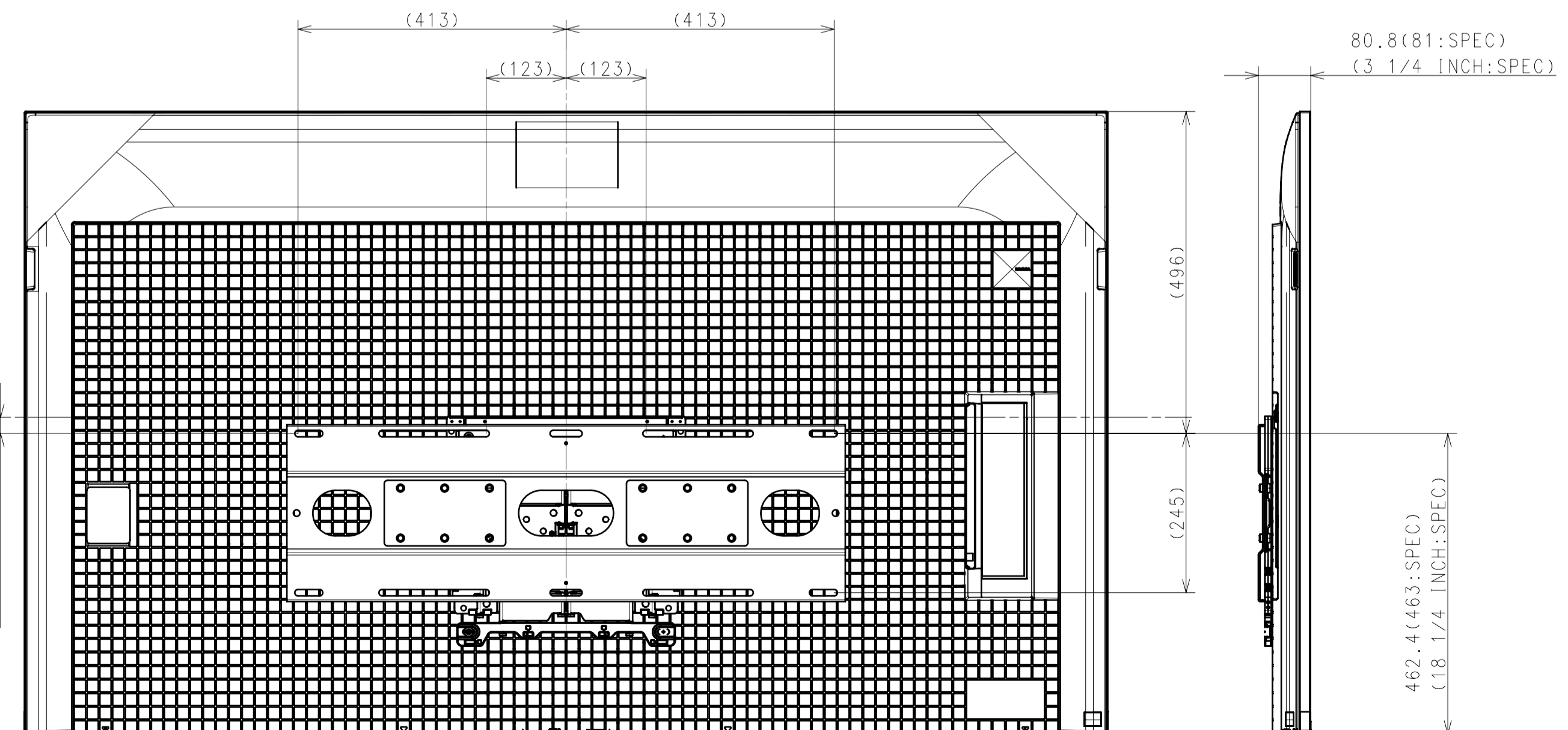
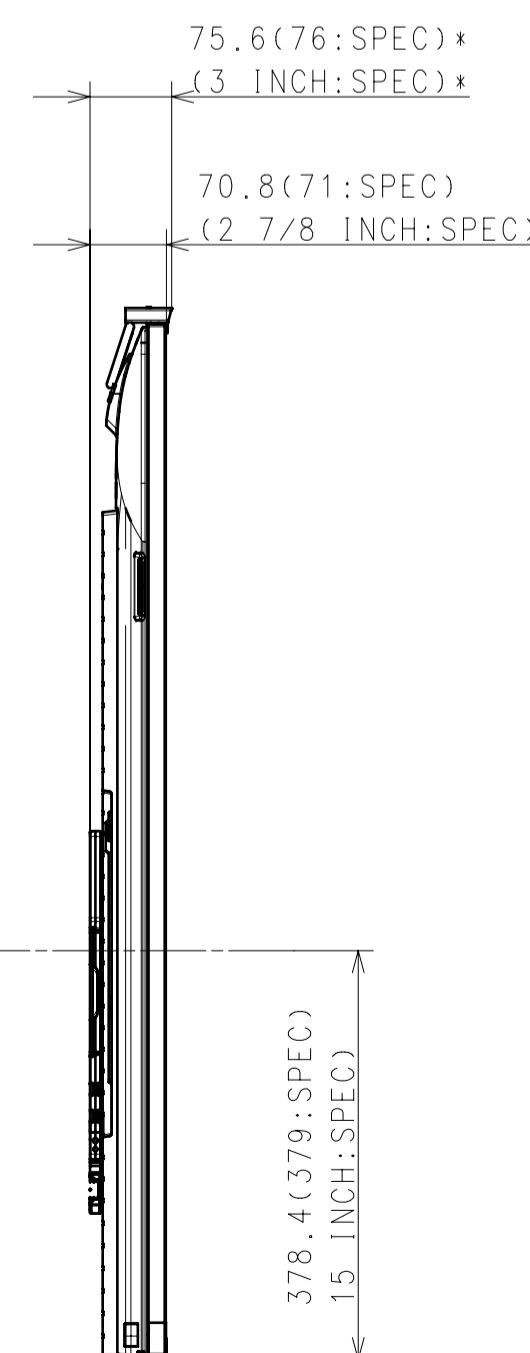
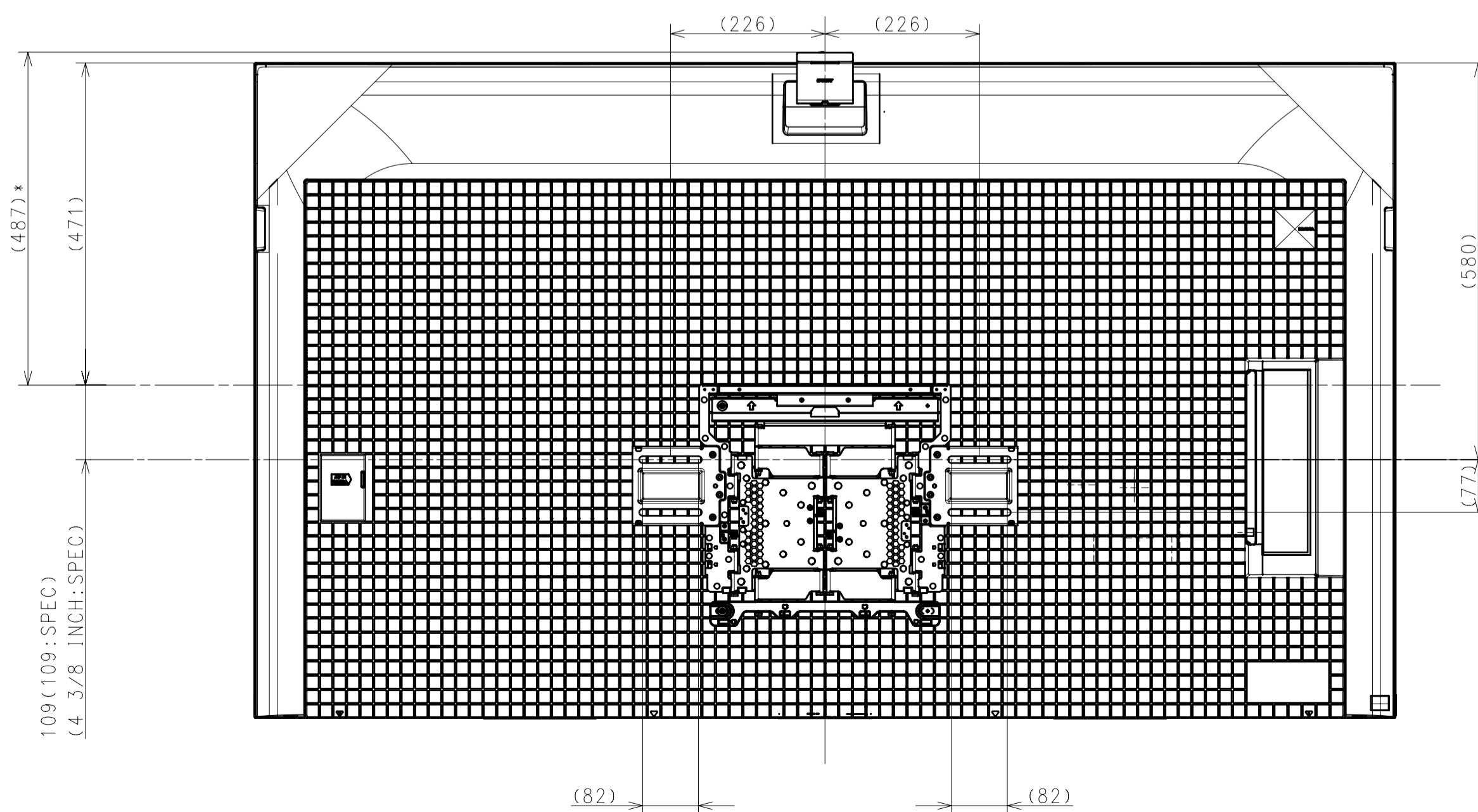
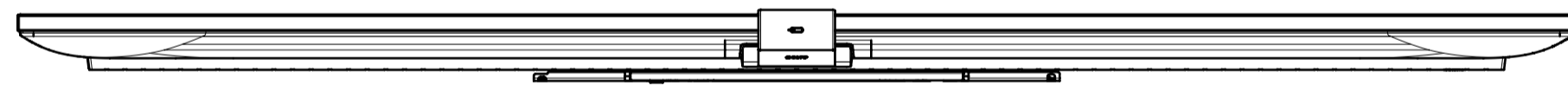
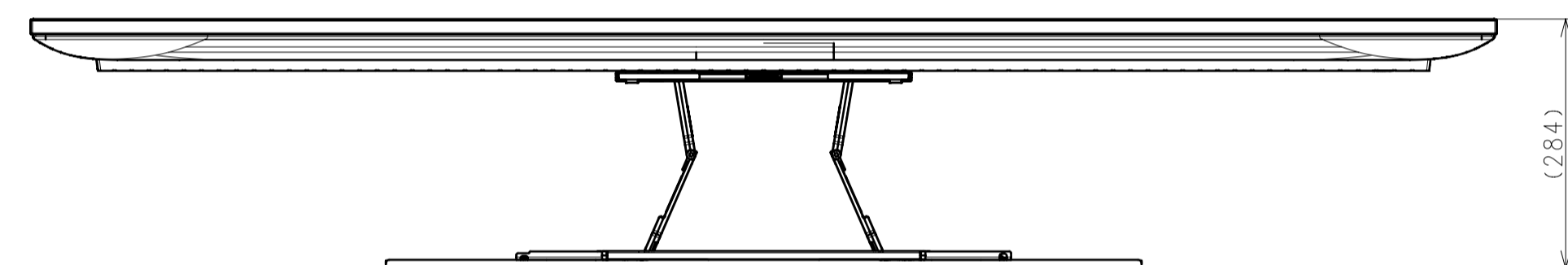
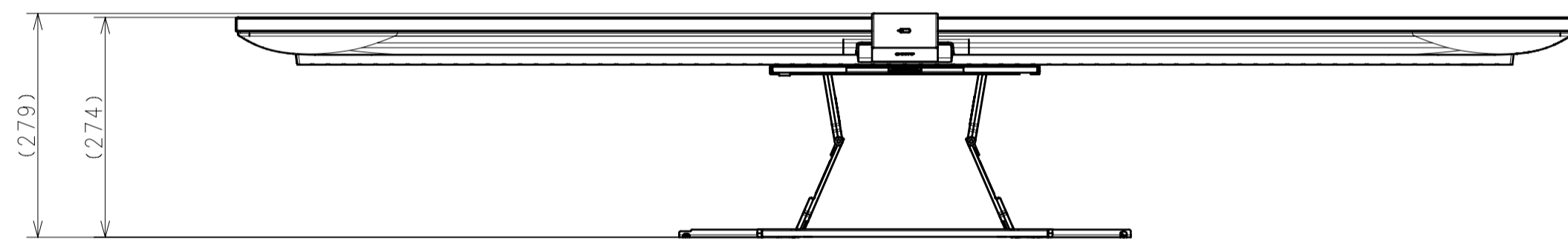
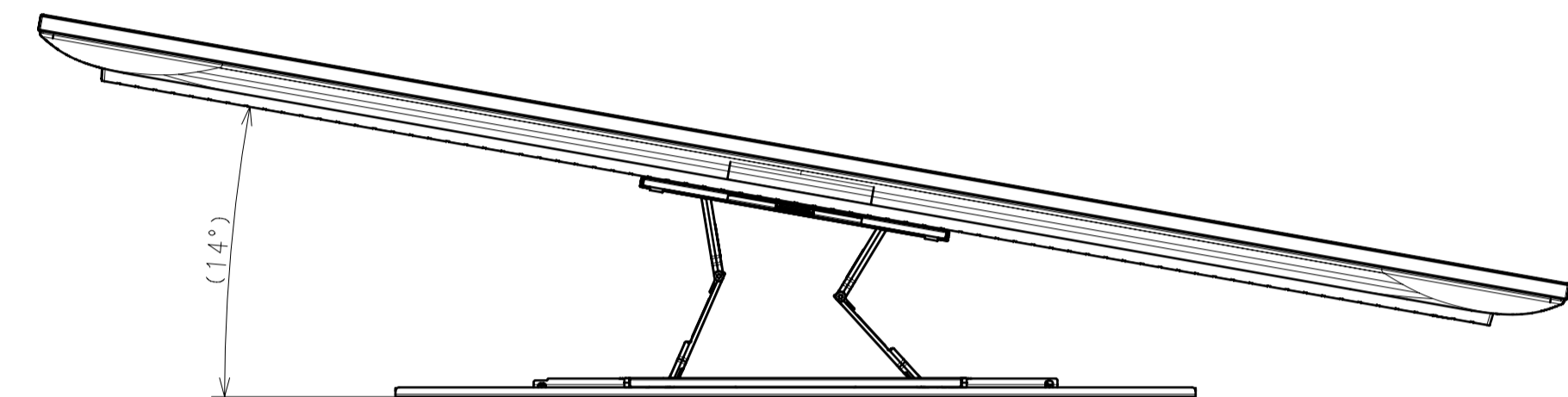
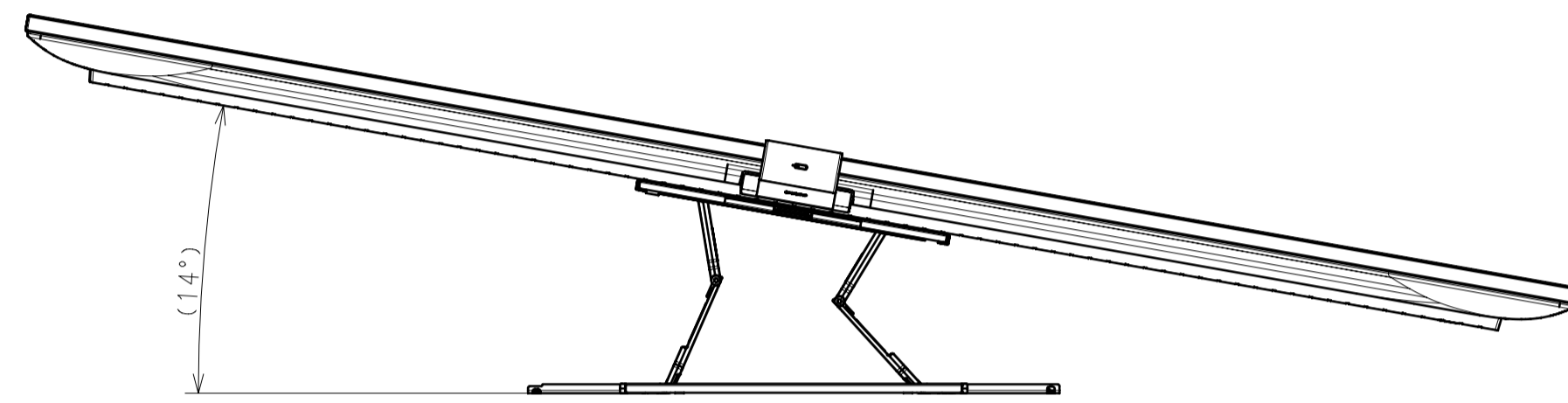
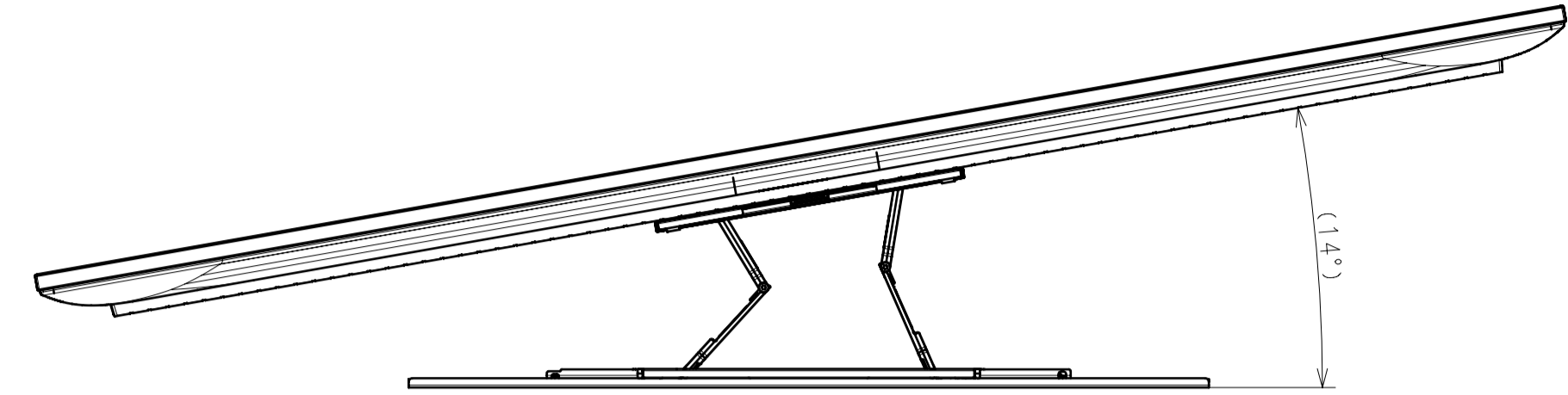
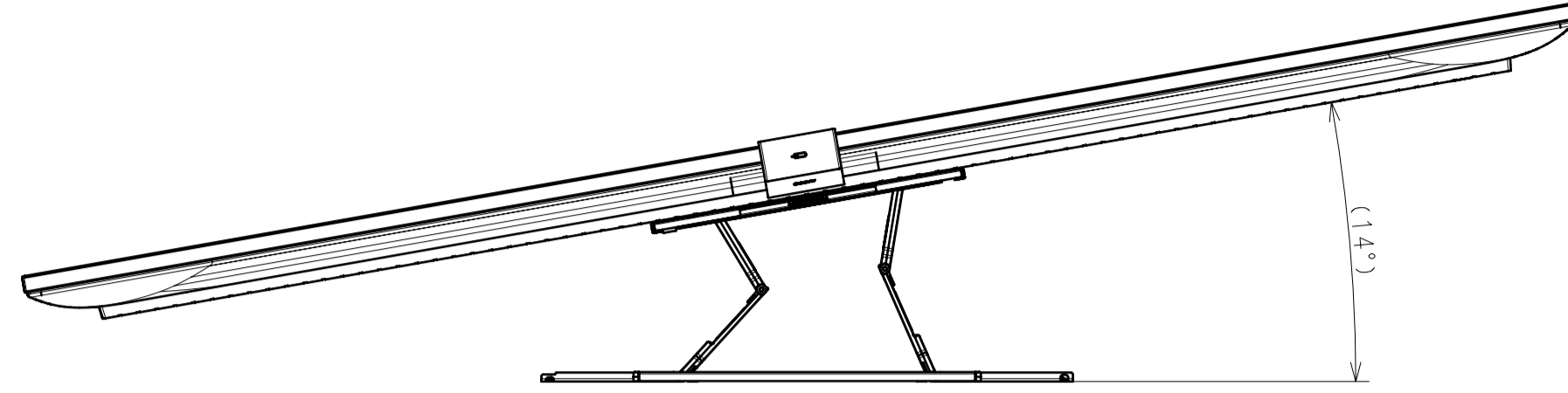
SLIM



DESCRIPTION	LEGAL OWNER	SCALE
75 (X90L) EXTERIOR VIEW	Sony Corporation	1:7
DESCRIPTION	PART NO.	SHEET/PAGES
75 (X90L) EXTERIOR VIEW		5 / 6

SU-WL850

SU-WL855



DESCRIPTION 1	LEGAL OWNER	SCALE
75 (X90L) EXTERIOR VIEW	Sony Corporation	1:7
DESCRIPTION 2	PART NO.	SHEET/PAGES
75 (X90L) EXTERIOR VIEW		6 / 6