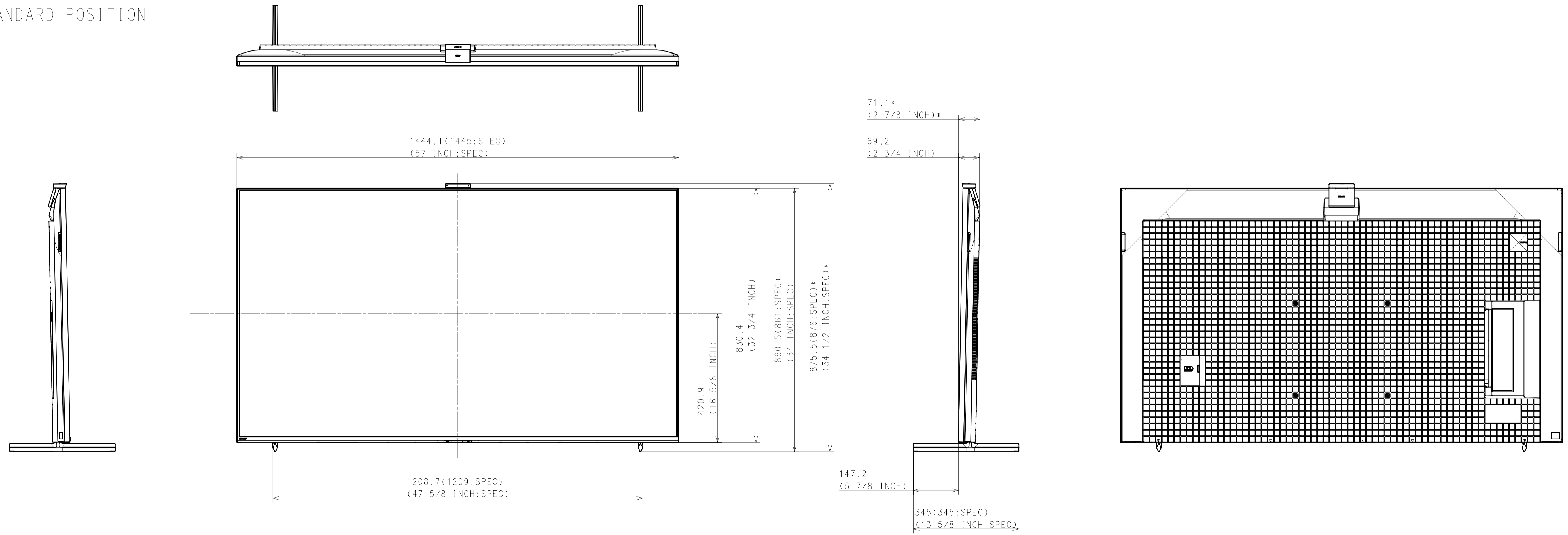


Area		JAPAN	NORTH AMERICA	LATIN AMERICA	EUROPE	GENERAL AREA	CHINA	CHINA DERIVATIVE
Model Name		XRJ-65X90L	XR-65X90L	XR-65X90L	XR-65X90L	XR-65X90L	XR-65X90L	XR-65X91L
SV No.		SV-41325	SV-41070	SV-41103	SV-41290	SV-41132	SV-41247	SV-41249
DIMENSION	TV only (W x H x D) Δ	144.5 x 83.1 x 5.7 (4.06) cm	1445 x 831 x 57 (40.6) mm / 57 x 32 3/4 x 2 1/4 (1 5/8) inch	1445 x 831 x 57 (40.6) mm	Approx. 144.5 x 83.1 x 5.7 (4.06) cm	Approx. 1445 x 831 x 57 (40.6) mm	Approx. 1445 x 831 x 57 (40.6) mm	Approx. 1445 x 831 x 57 (40.6) mm
	TV only with camera (W x H x D)	-	-	-	-	-	-	Approx. 1445 x 846 x 61 (43.1) mm
	TV with Stand (Standard position) (W x H x D)	144.5 x 86.1 x 34.5 cm	1445 x 861 x 345 mm / 57 x 34 x 13 5/8 inch	1445 x 861 x 345 mm	Approx. 144.5 x 86.1 x 34.5 cm	Approx. 1445 x 861 x 345 mm	Approx. 1445 x 861 x 345 mm	Approx. 1445 x 876 x 345 mm
	TV with Stand (Narrow position) (W x H x D)	-	-	-	Approx. 144.5 x 86.1 x 34.5 cm	-	-	-
	TV with Stand (Soundbar position) (W x H x D)	144.5 x 90.1 x 34.5 cm	1445 x 901 x 345 mm / 57 x 35 1/2 x 13 5/8 inch	1445 x 901 x 345 mm	Approx. 144.5 x 90.1 x 34.5 cm	Approx. 1445 x 901 x 345 mm	Approx. 1445 x 901 x 345 mm	Approx. 1445 x 916 x 345 mm
	TV with Stand (Front position style) (W x H x D)	-	-	-	-	-	-	-
	TV with Stand (Back position style) (W x H x D)	-	-	-	-	-	-	-
	TV with Floor Stand (W x H x D)	-	-	-	-	-	-	-
	Stand Width (Standard position)	120.9 cm	1209 mm / 47 5/8 inch	1209 mm	Approx. 120.9 cm	Approx. 1209 mm	Approx. 1209 mm	Approx. 1209 mm
	Stand Width (Narrow position)	-	-	-	Approx. 47.2 cm	-	-	-
	Stand Width (Soundbar position)	120.9 cm	1209 mm / 47 5/8 inch	1209 mm	Approx. 120.9 cm	Approx. 1209 mm	Approx. 1209 mm	Approx. 1209 mm
	Stand Width (Front position style)	-	-	-	-	-	-	-
	Stand Width (Back position style)	-	-	-	-	-	-	-
	Floor Stand Width	-	-	-	-	-	-	-
	VESA Hole Pitch	30.0 x 30.0 cm	300 x 300 mm / 11 7/8 x 11 7/8 inch	300 x 300 mm	30.0 x 30.0 cm	300 x 300 mm	300 x 300 mm	300 x 300 mm
WEIGHT	TV Only	24.2 kg	24.2 kg / 53.4 lb	24.2 kg	Approx. 24.2 kg	Approx. 24.2 kg	Approx. 24.2 kg	Approx. 24.2 kg
	TV with Stand (Standard position)	25 kg	25 kg / 55.1 lb	25 kg	Approx. 25 kg	Approx. 25 kg	Approx. 25 kg	Approx. 25.1 kg
	TV with Stand (Narrow position)	-	-	-	Approx. 25 kg	-	-	-
	TV with Stand (Soundbar position)	25 kg	25 kg / 55.1 lb	25 kg	Approx. 25 kg	Approx. 25 kg	Approx. 25 kg	Approx. 25.1 kg
	TV with Stand (Front/Back position style)	-	-	-	-	-	-	-
	TV with Floor Stand	-	-	-	-	-	-	-
	Floor Stand weight (Supply)	-	-	-	-	-	-	-
	W-M t Br. Weight (Supply)	-	-	-	-	-	-	-
Remarks		2way	2way	2way	3way	2way	2way	2way

WITH STAND
STANDARD POSITION



NOTE:
MARKING WITH "x"
THE CAMERA IS BUNDLED FOR X91L ONLY AND IS SOLD SEPARATELY IN OTHER REGIONS.
カメラはX91Lのみ同梱されており、他のモデルは別売りになります

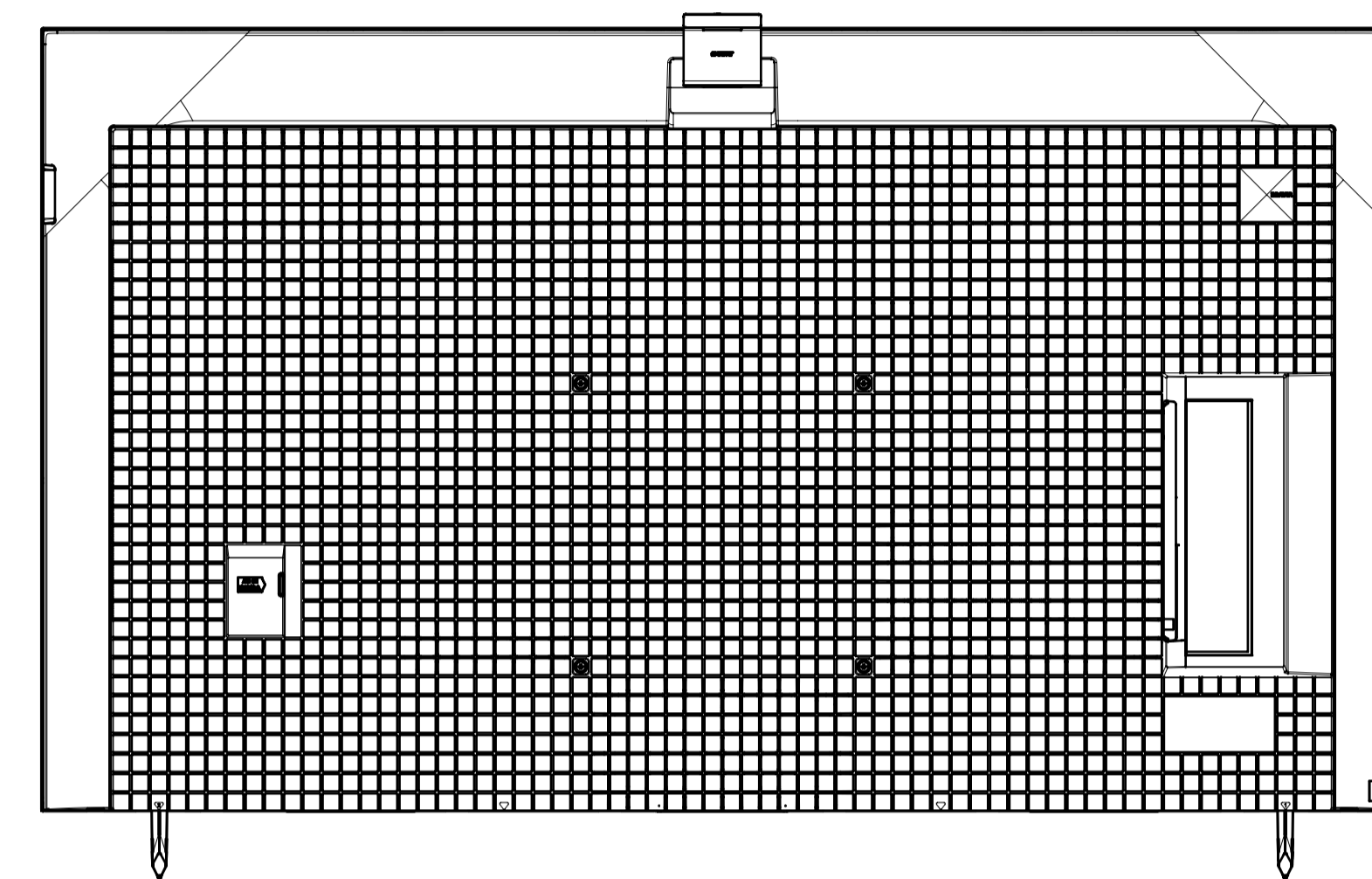
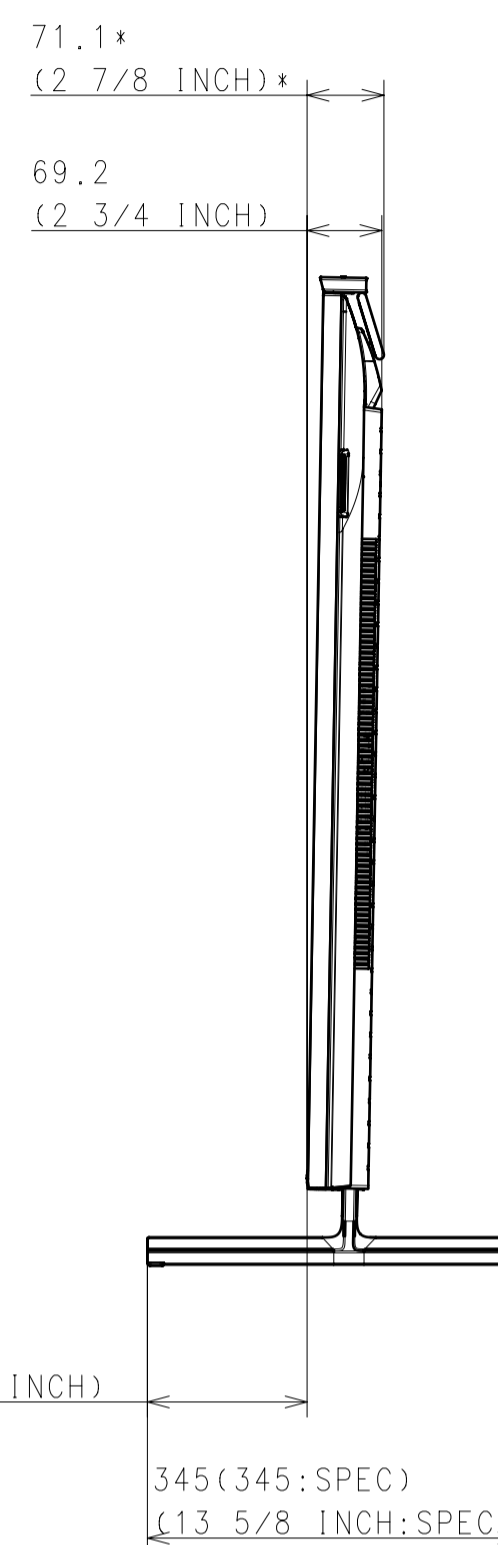
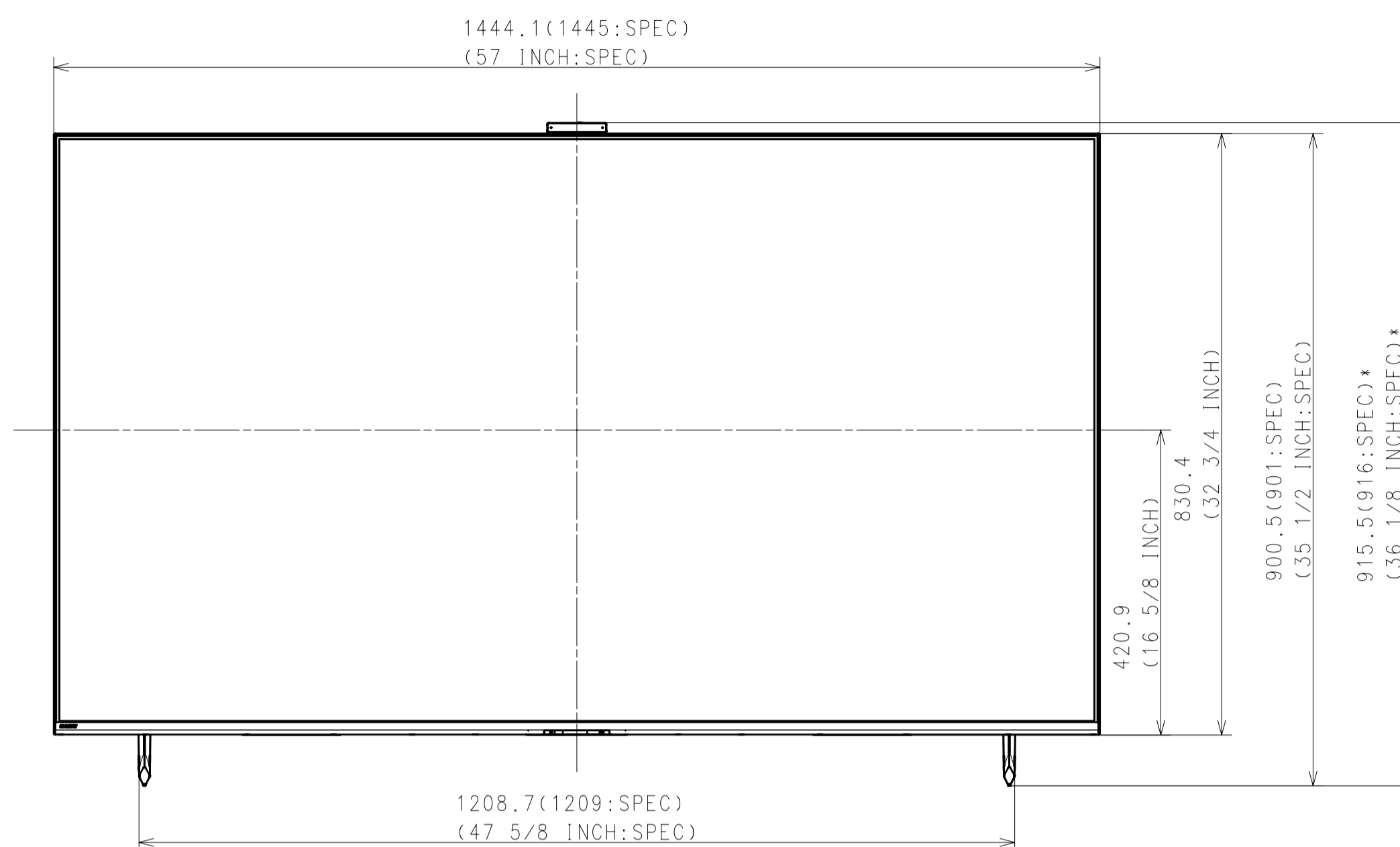
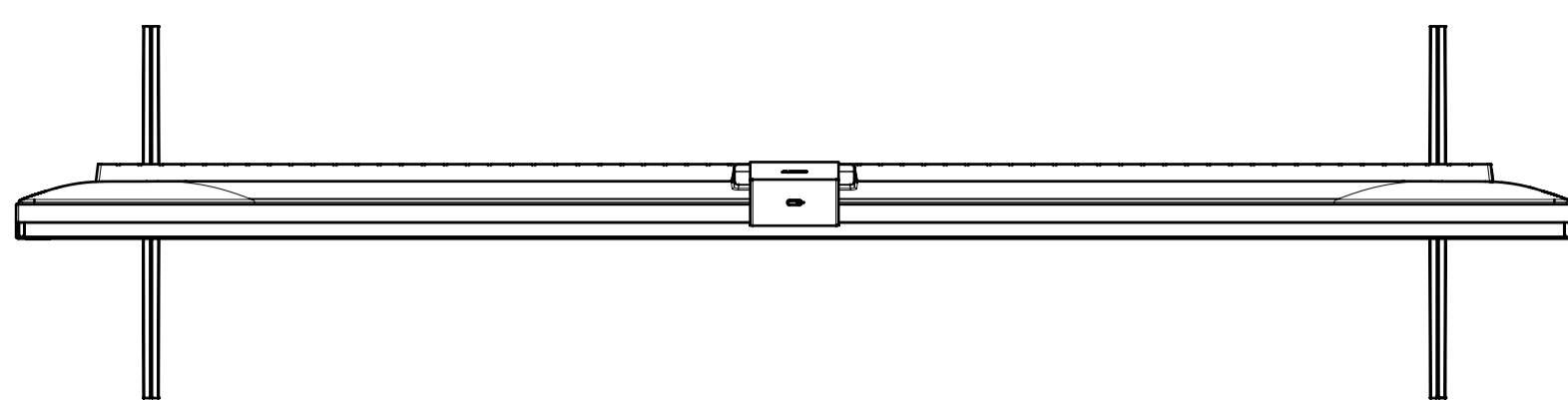
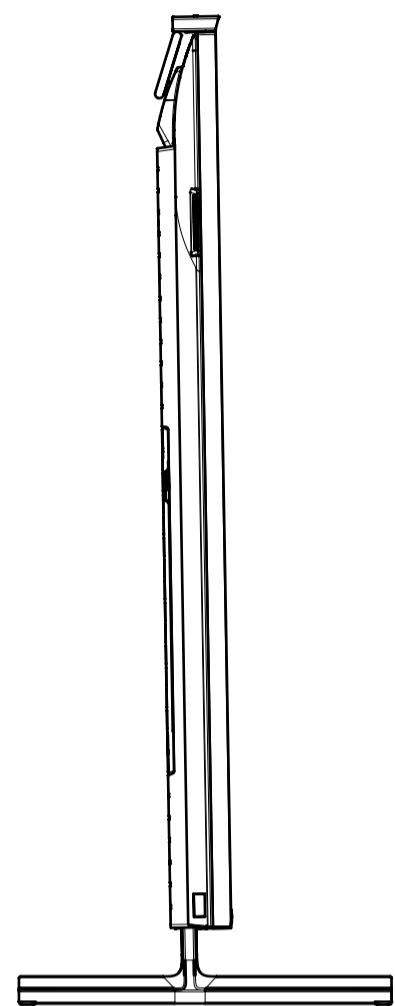
Purchase recycled resins and wire rods only from the business partners that Sony approves as Green Partners.
再生樹脂・銅線材はグリーンパートナー認定受注先から購入してください。

△x	⑧			GENERAL TOLERANCE	DATE OF ISSUE
△y	⑧				2022.10.17
△z	⑧				DOCUMENT TYPE
					PART
△y 2	2022.12.13	Dimension revised	Jean		DRAWING
					(JIS & JISX0010 BASIS)
HISTORY	SUFFIX	RELEASE NO.	DATE	REVISION	SIGN.
X COUNT	REV.				
LEGAL OWNER					
Sony Corporation					
RESPONSIBLE DEPARTMENT	ORIGINAL MODEL	DESCRIPTION			
PANEL & MECHANICAL DESIGN		65 (X90L) EXTERIOR VIEW			
PLANNED BY	DRAWN BY	CHECKED BY	APPROVED BY	SCALE	TENTATIVE MODEL
2022.10.17	JEAN			1:7	65 (X90L)
2022.10.17	JEAN				65 (X90L) EXTERIOR VIEW
2022.10.17	JEAN				
PREL. METHOD	SIZE	UNIT	PAGE NO.	SUFFIX	REV. NO.
⑧	A1	mm			
					1/6

18.08

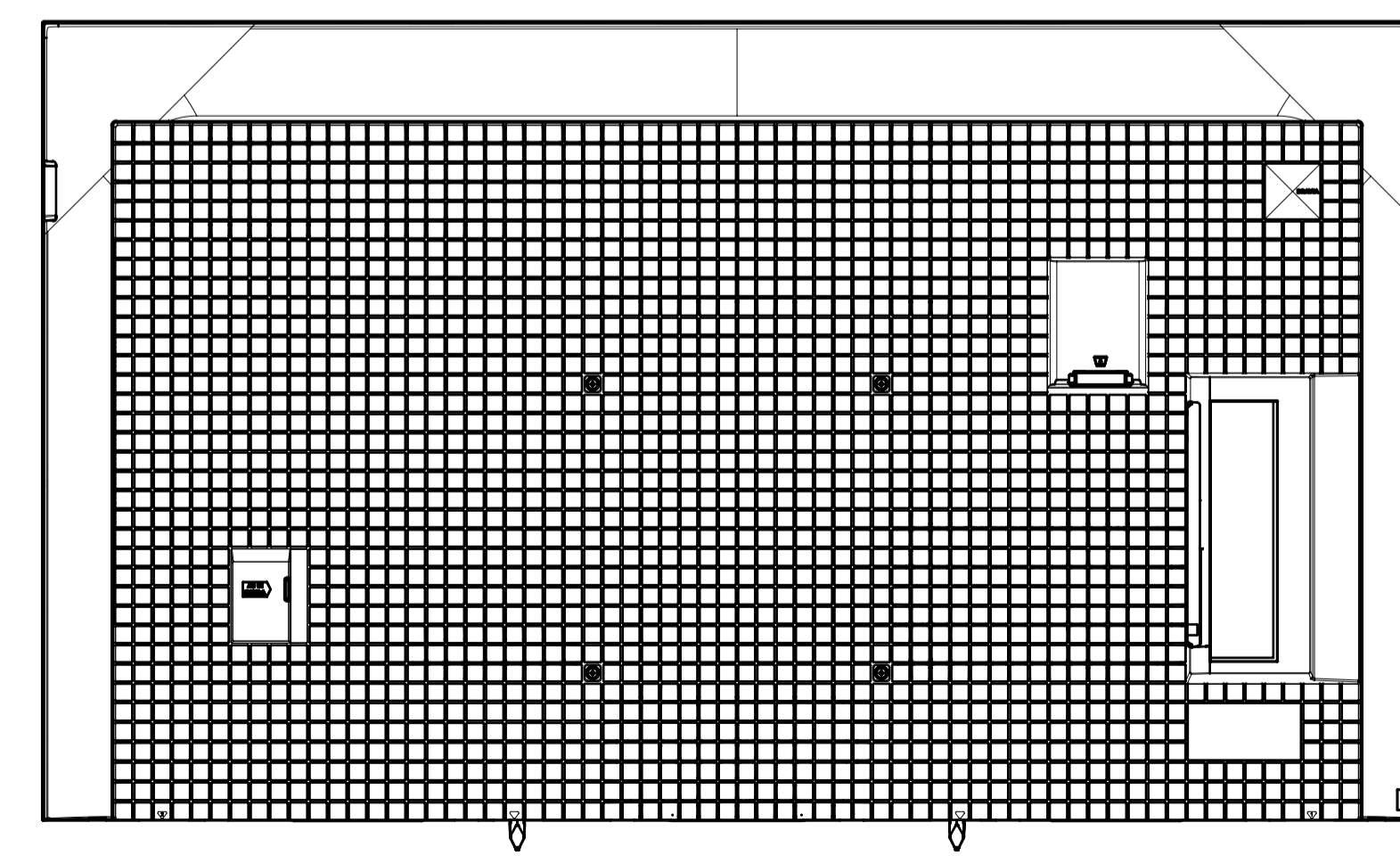
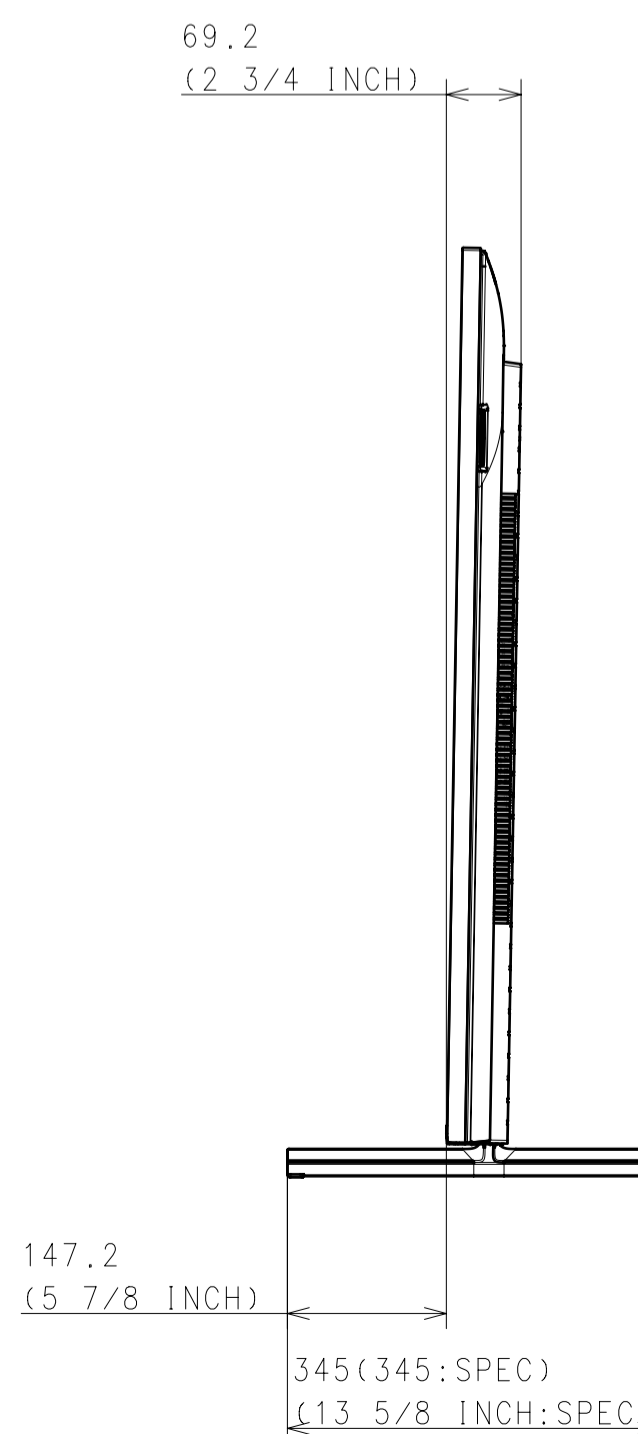
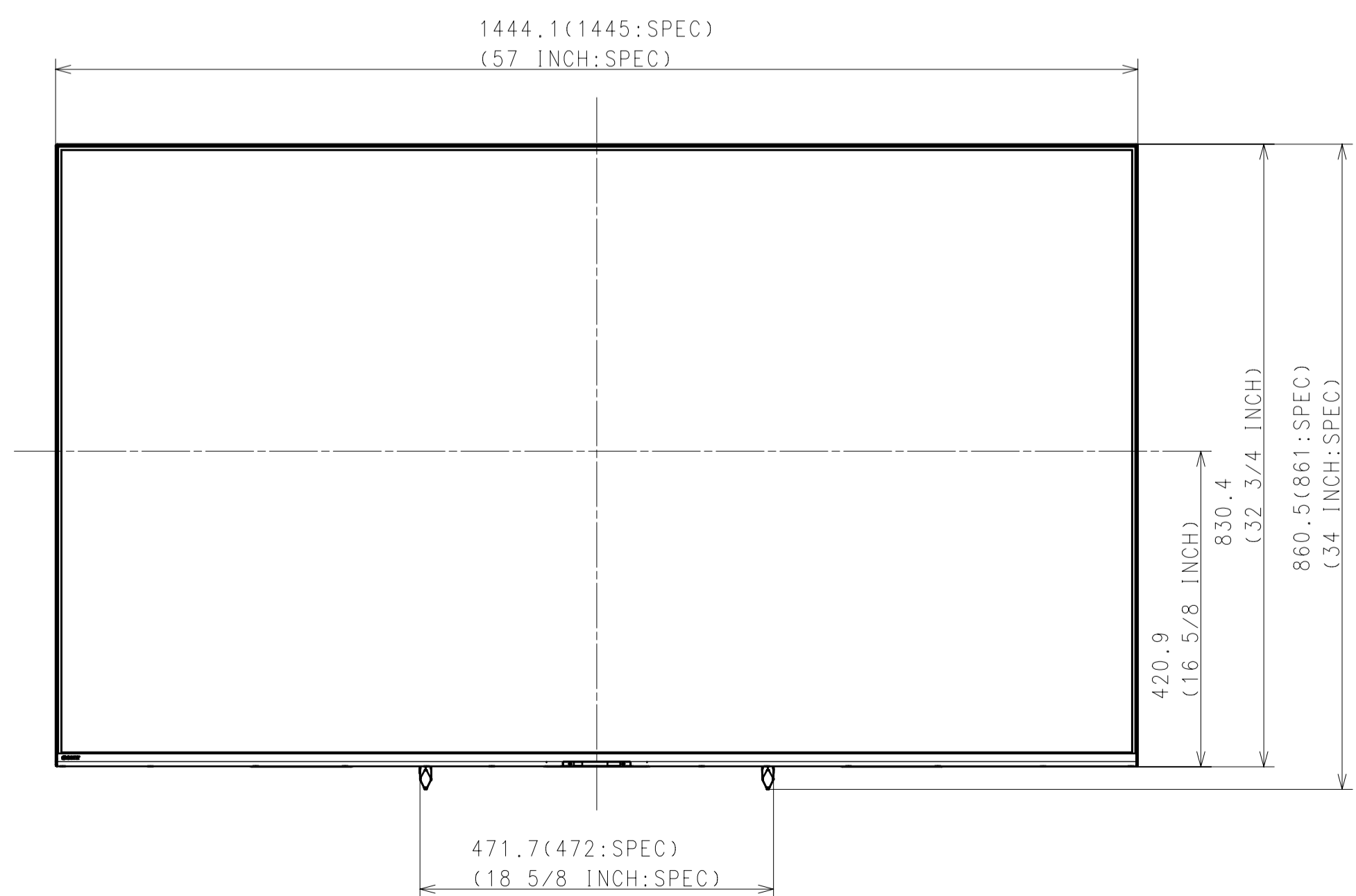
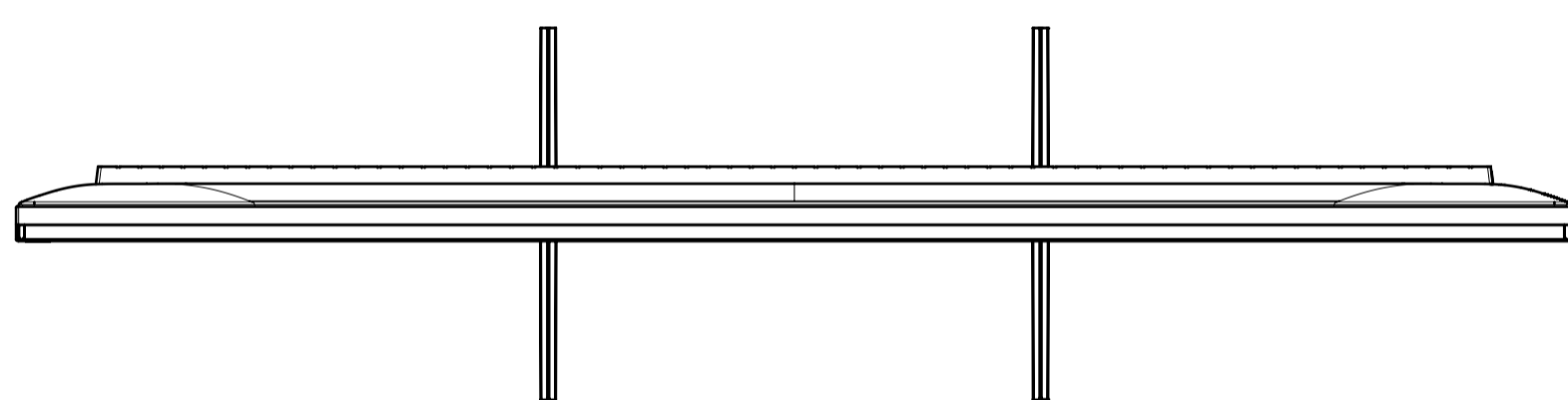
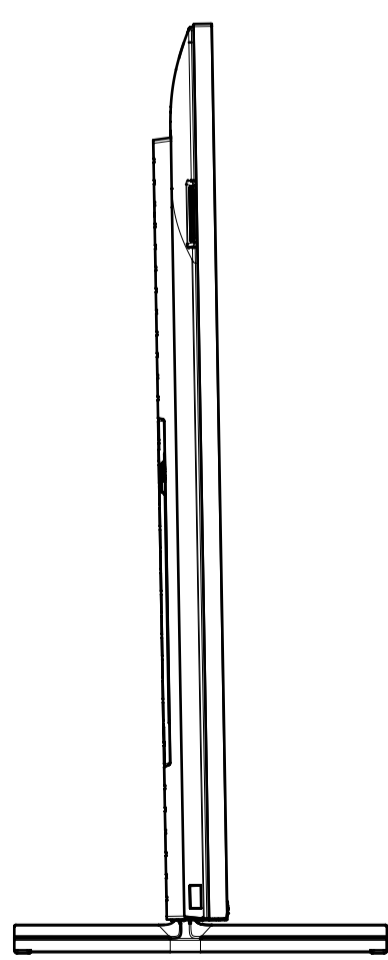
WITH STAND

SOUND BAR POSITION



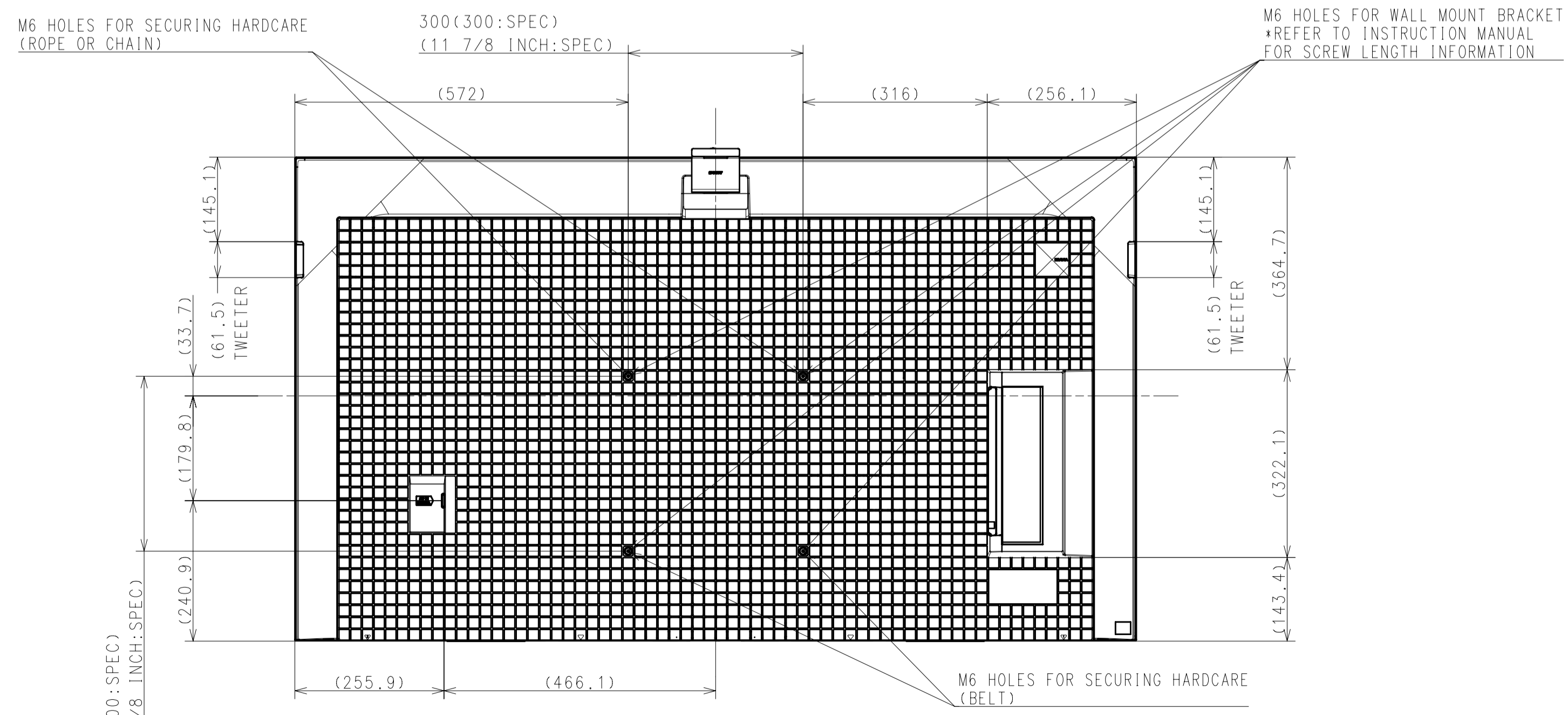
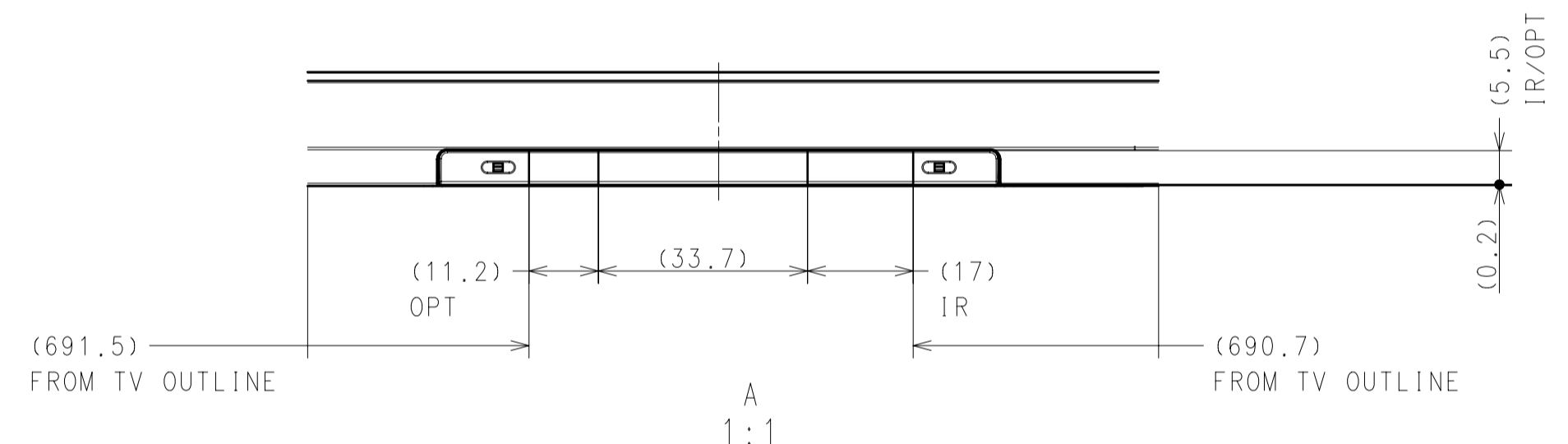
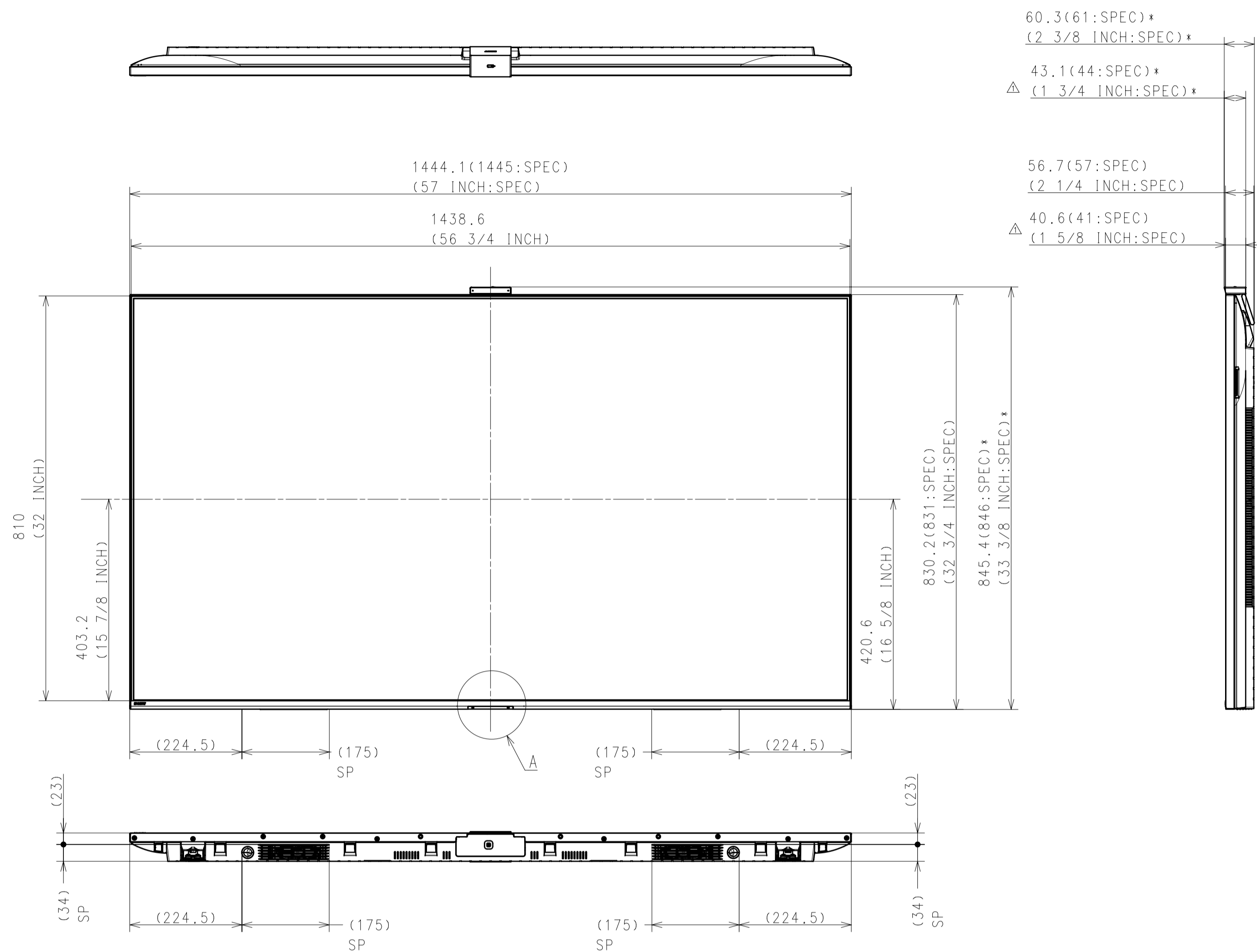
WITH STAND

NARROW POSITION



DESCRIPTION 1	LEGAL OWNER	SCALE
65 (X90L) EXTERIOR VIEW	Sony Corporation	1:7
DESCRIPTION 2	PART NO.	SHEET/PAGES
65 (X90L) EXTERIOR VIEW		2 / 6

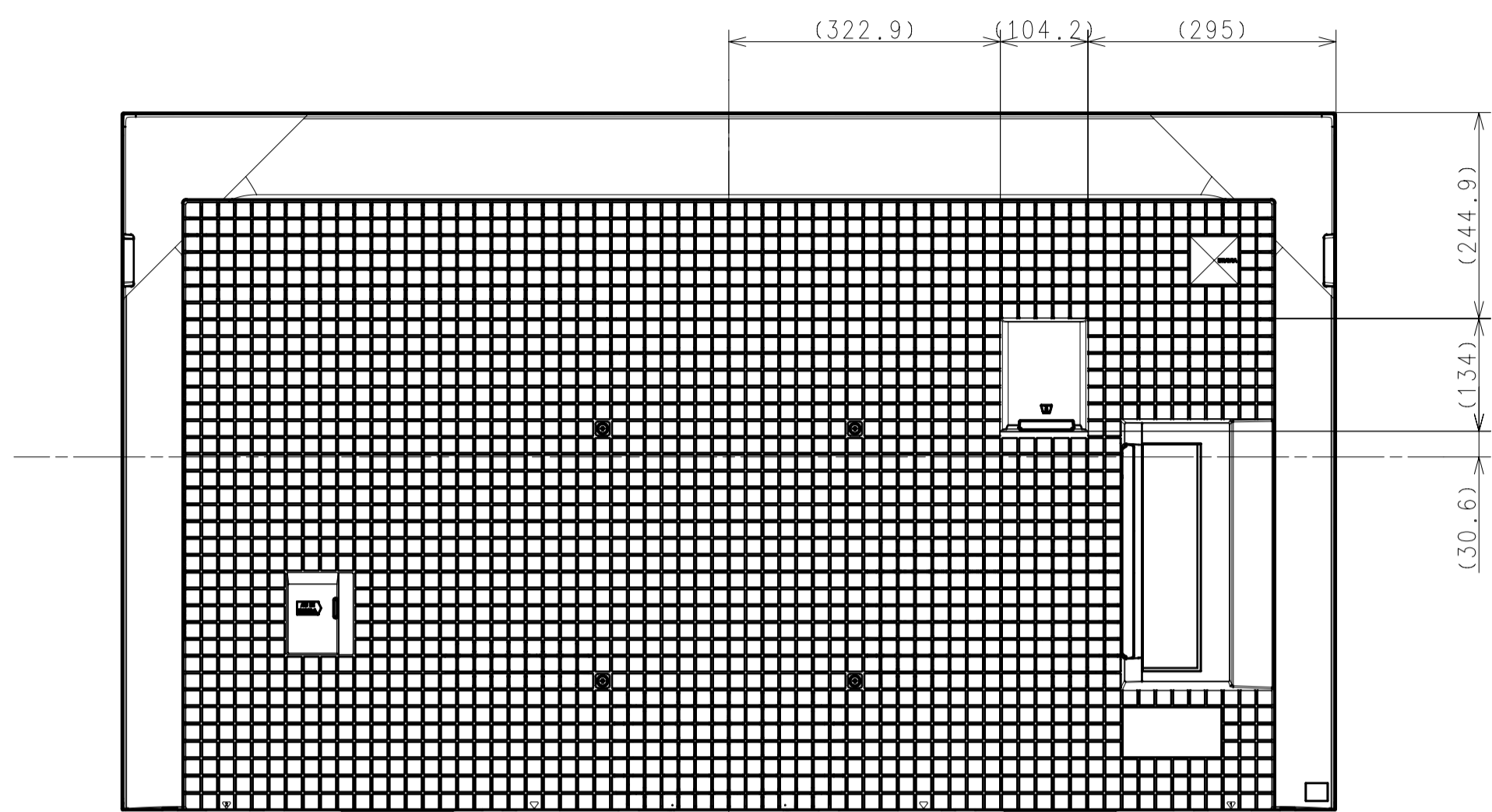
WITHOUT STAND



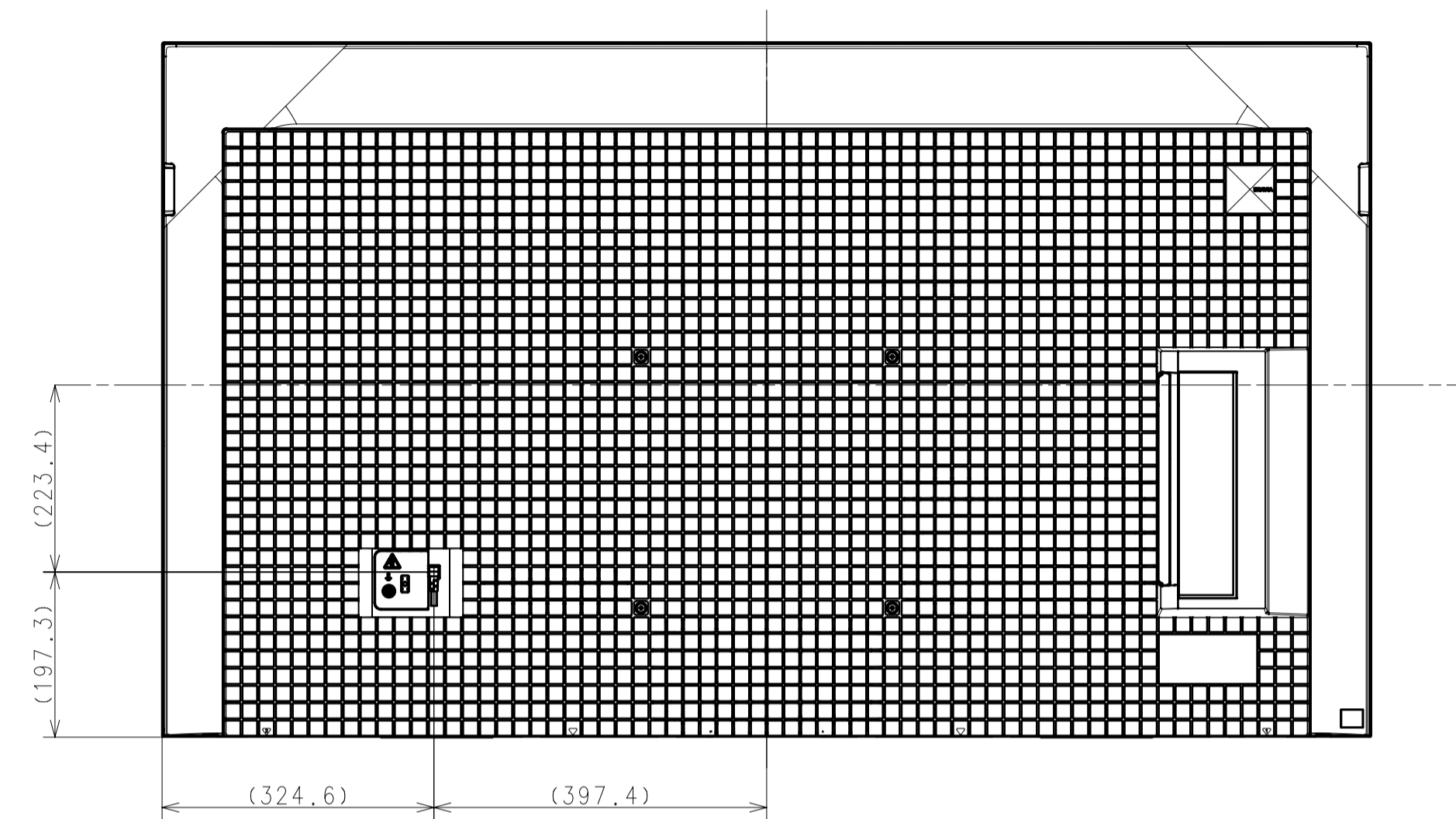
FOR CHINA DERI

DESCRIPTION	LEGAL OWNER	SCALE
65 (X90L) EXTERIOR VIEW	Sony Corporation	1:7
DESCRIPTION	PART NO.	SHEET/PAGES
65 (X90L) EXTERIOR VIEW		3 / 6

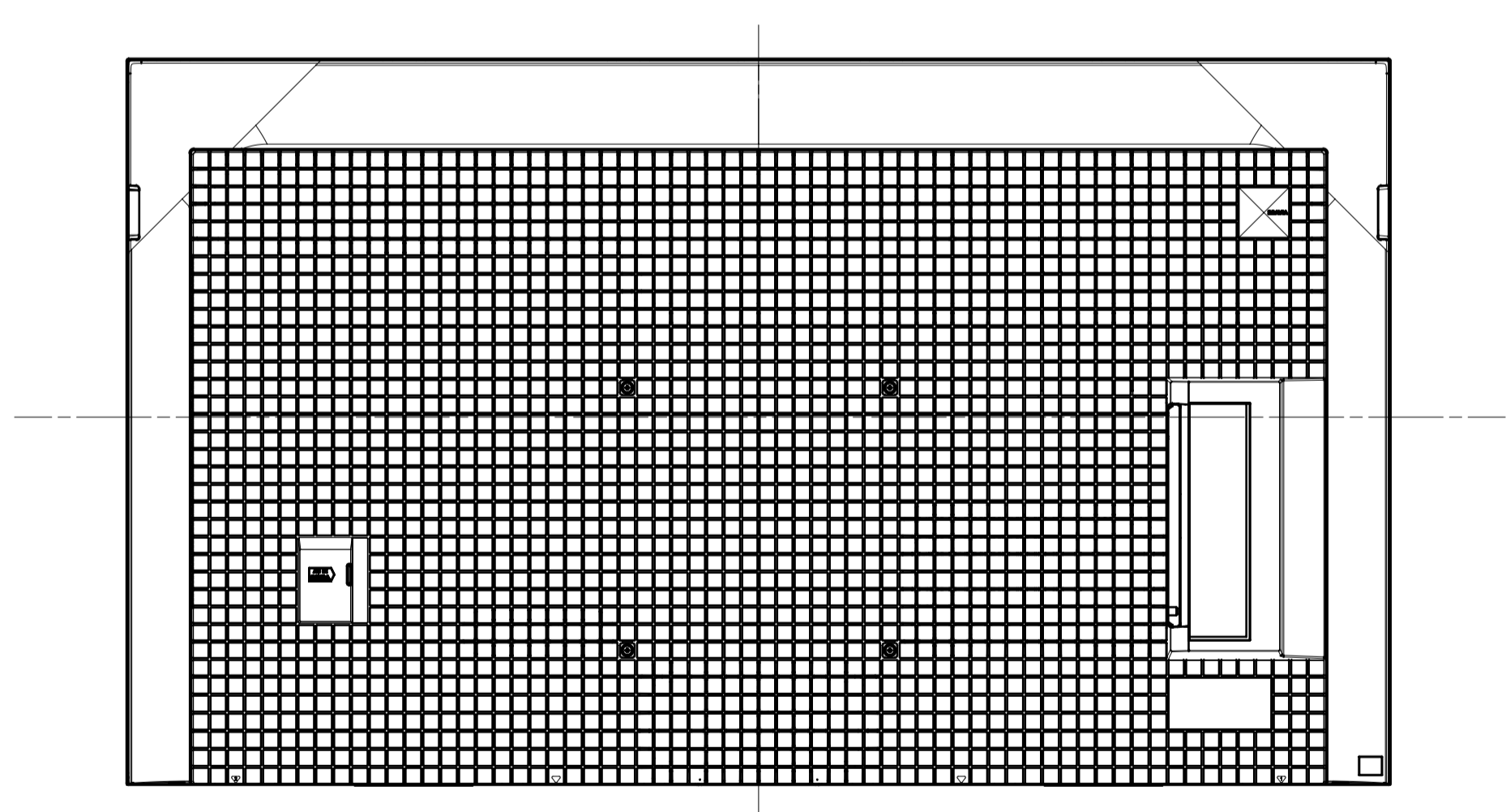
WITHOUT STAND



FOR EUROPE



FOR JAPAN, LATIN AMERICA



FOR GENERAL AREA, CHINA

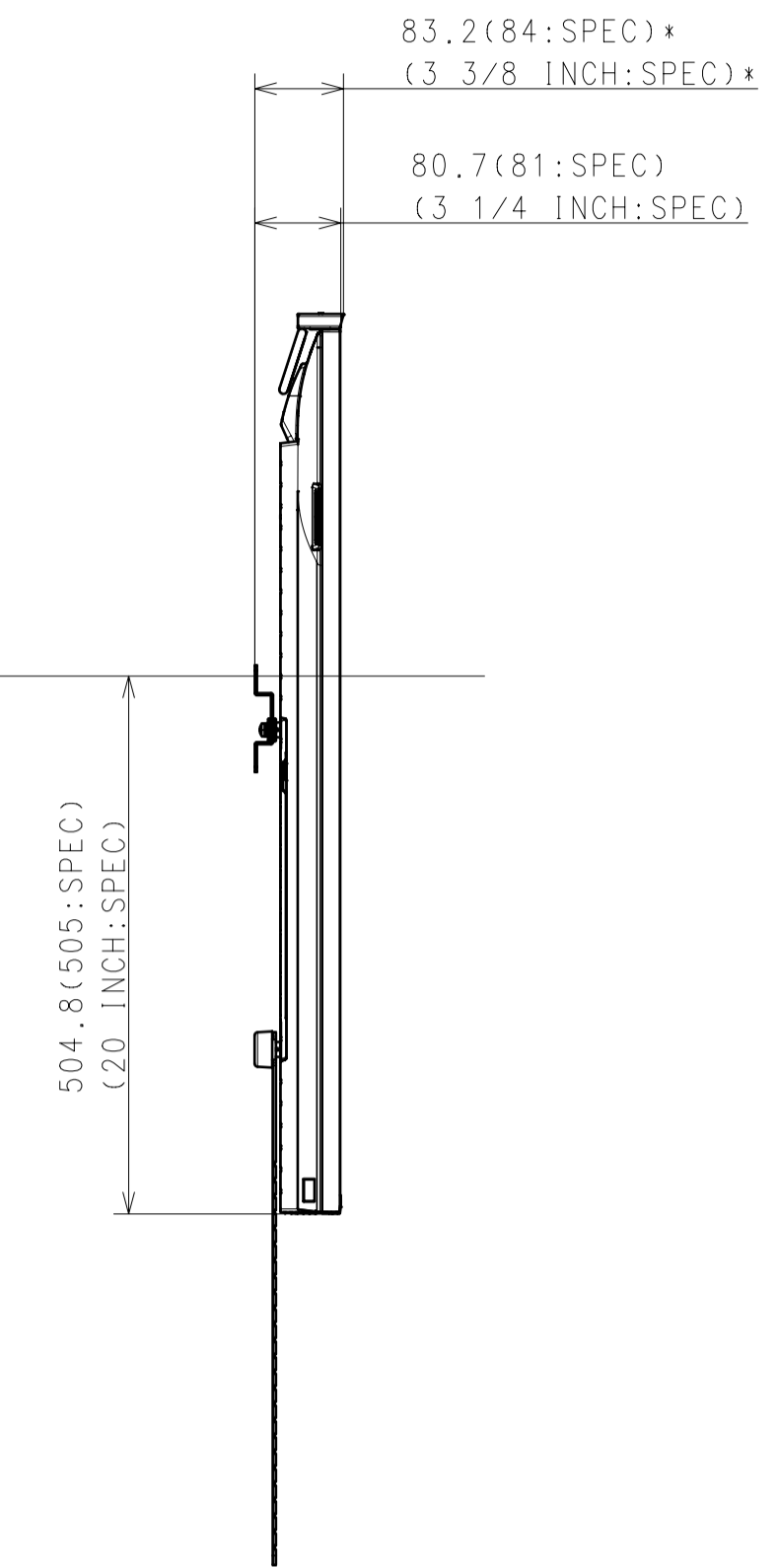
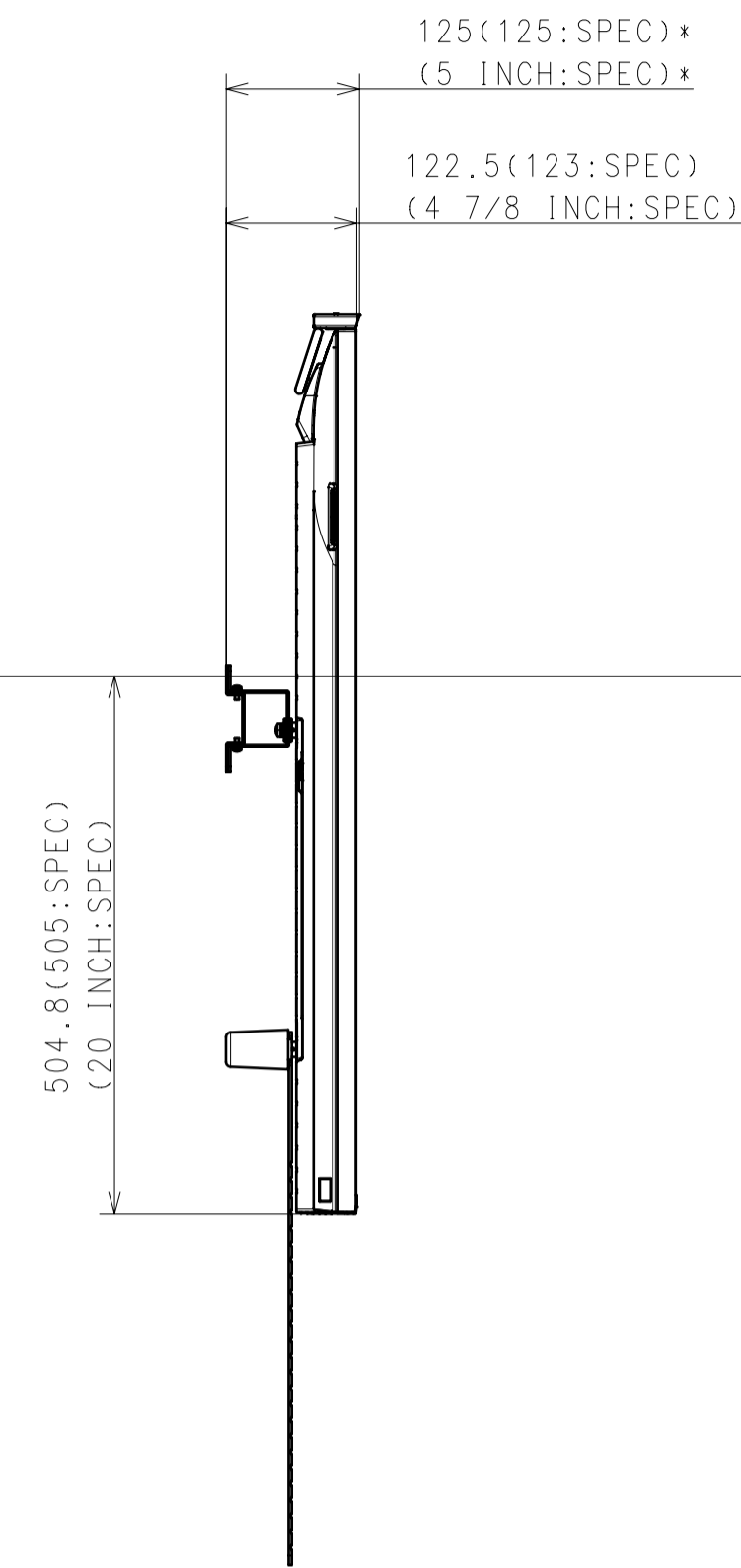
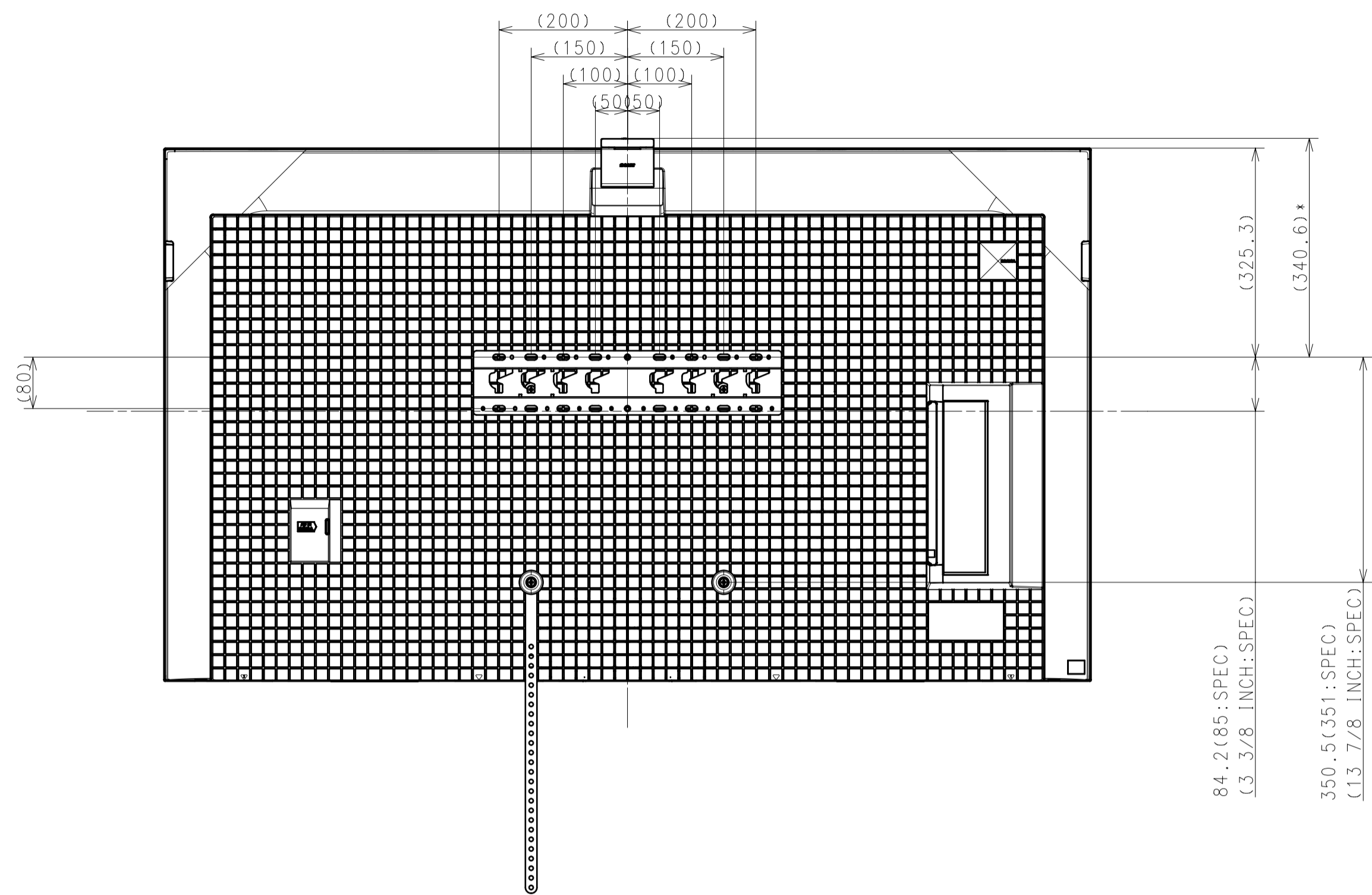
SONY STANDARD
DRAWING

DESCRIPTION	LEGAL OWNER	SCALE
65 (X90L) EXTERIOR VIEW	Sony Corporation	1:7
DESCRIPTION	PART NO.	SHEET/PAGES
65 (X90L) EXTERIOR VIEW		4 / 6

SU-WL450

STANDARD

SLIM

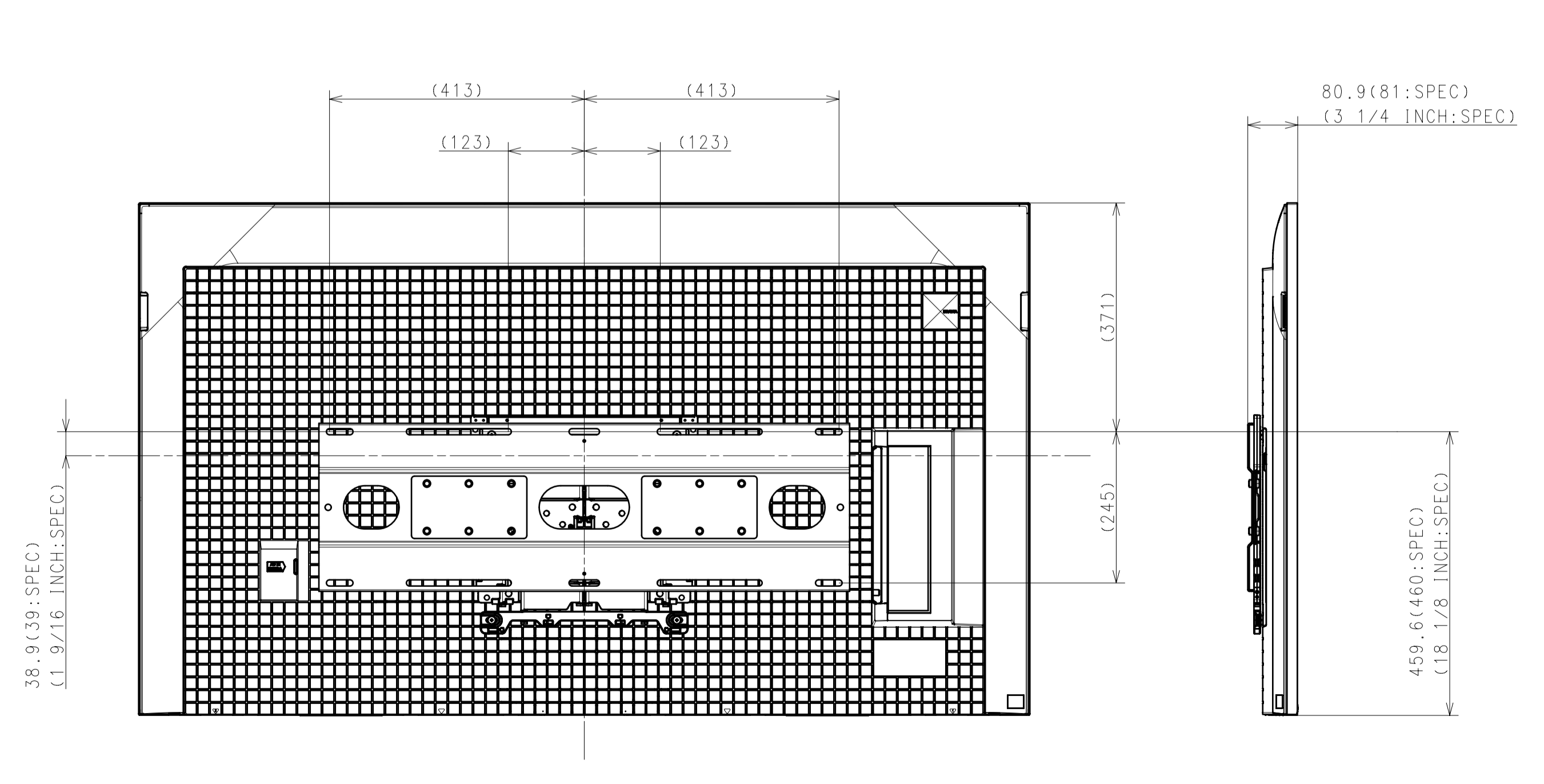
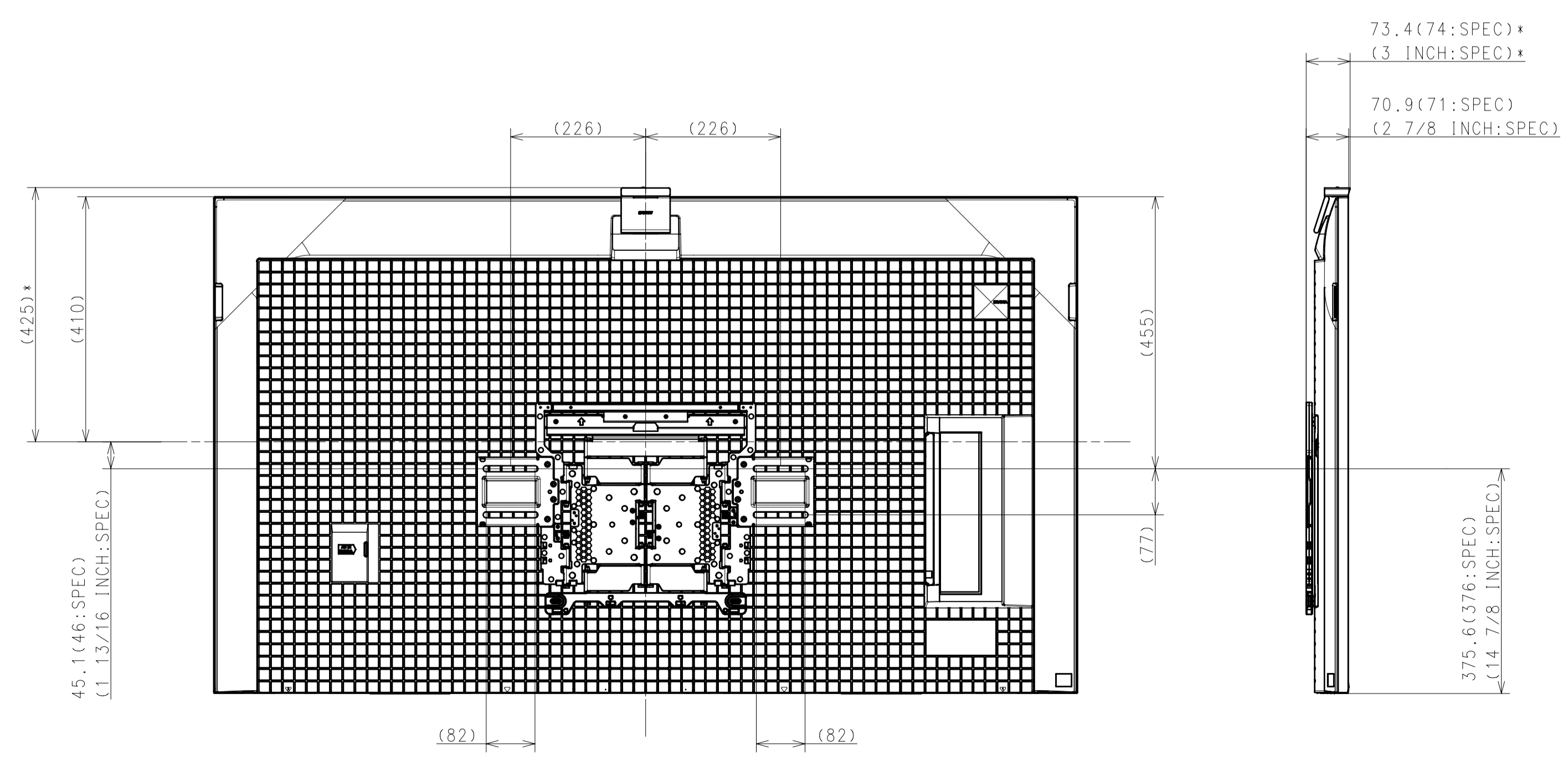
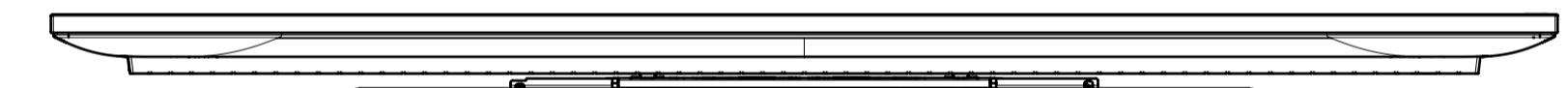
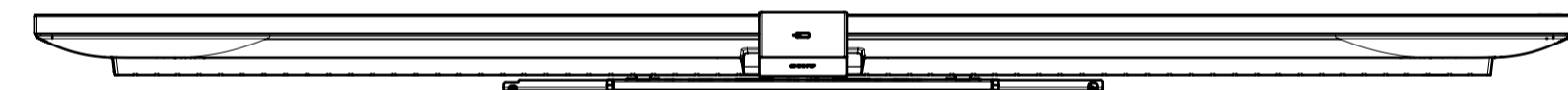
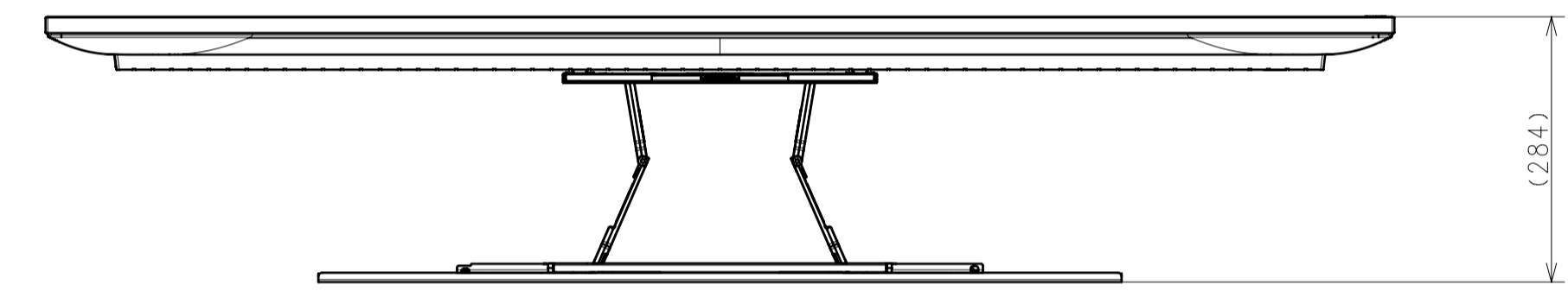
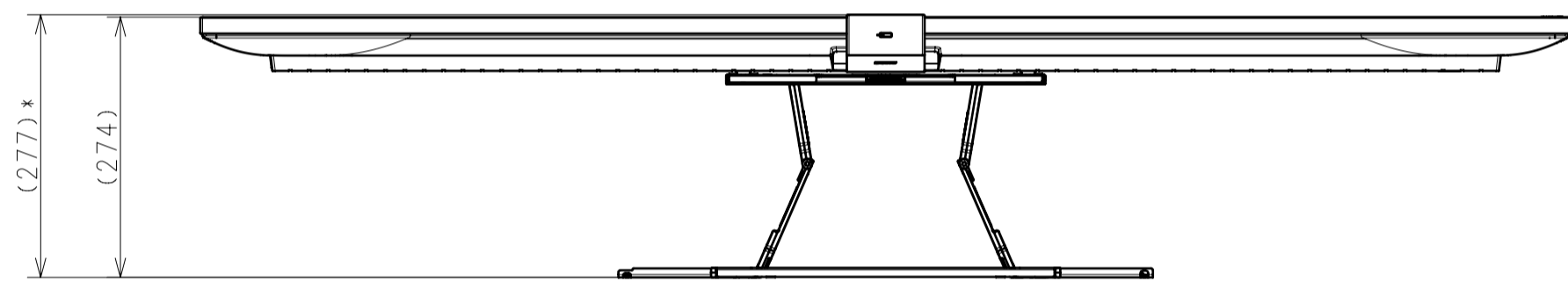
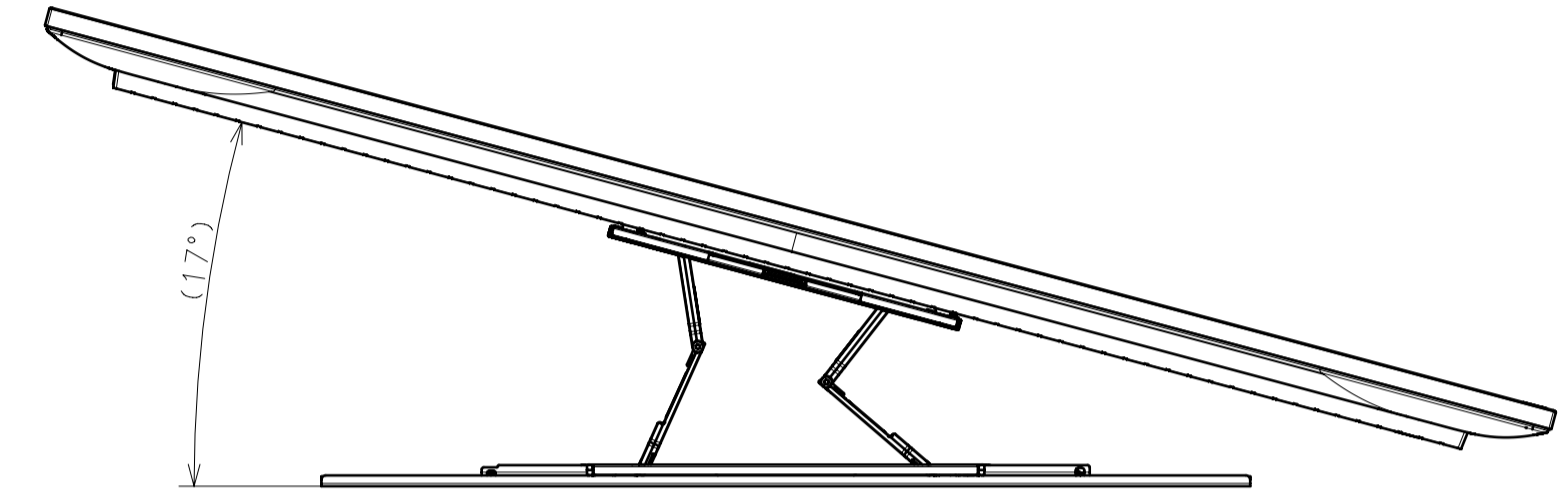
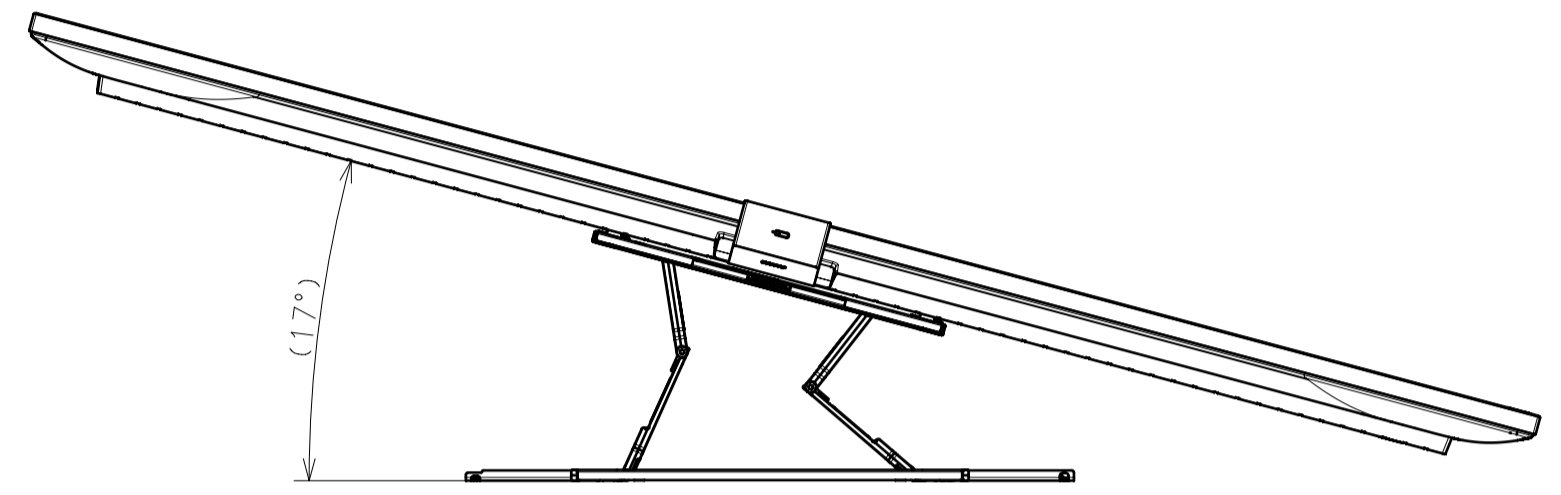
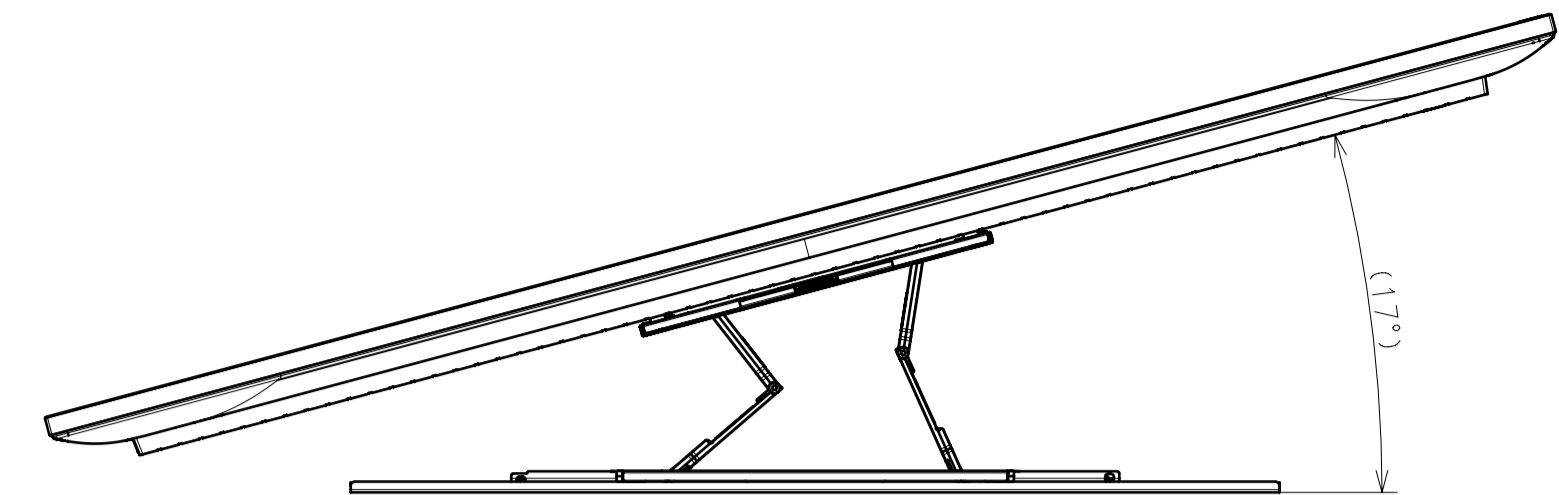
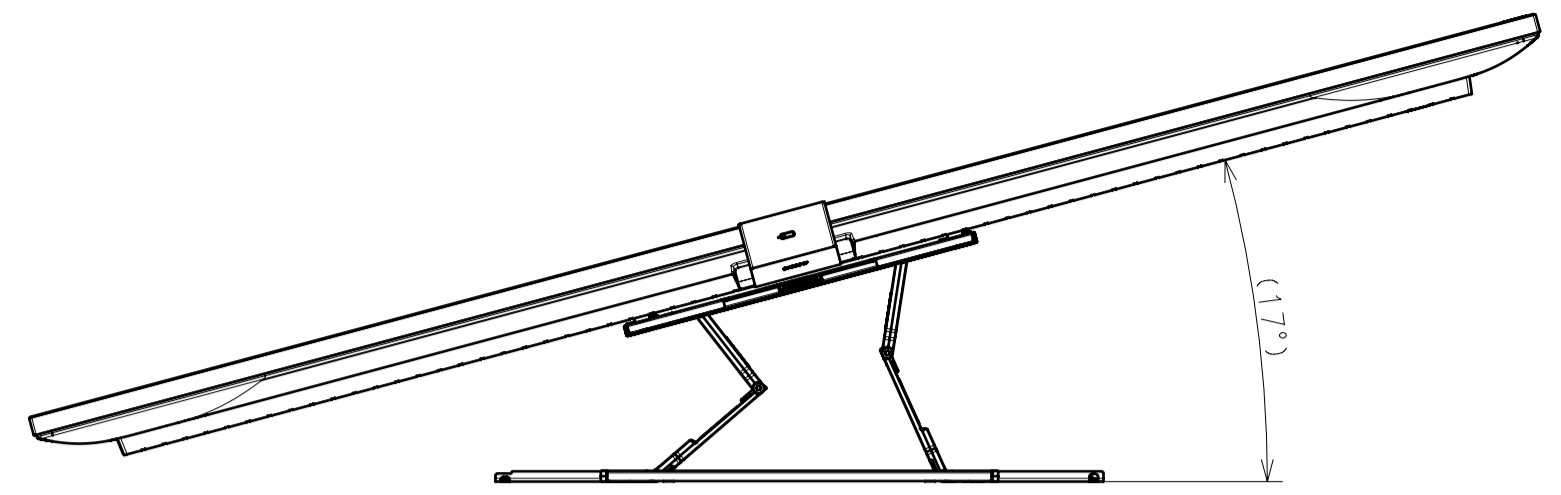


SONY STANDARD
 DRAWING

DESCRIPTION 1	LEGAL OWNER	SCALE
65 (X90L) EXTERIOR VIEW	Sony Corporation	1:7
DESCRIPTION 2	PART NO.	SHEET/PAGES
65 (X90L) EXTERIOR VIEW		5/ 6

SU-WL850

SU-WL855



DESCRIPTION 1	LEGAL OWNER	SCALE
65 (X90L) EXTERIOR VIEW	Sony Corporation	1:7
DESCRIPTION 2	PART NO.	SHEET/PAGES
65 (X90L) EXTERIOR VIEW		6 / 6