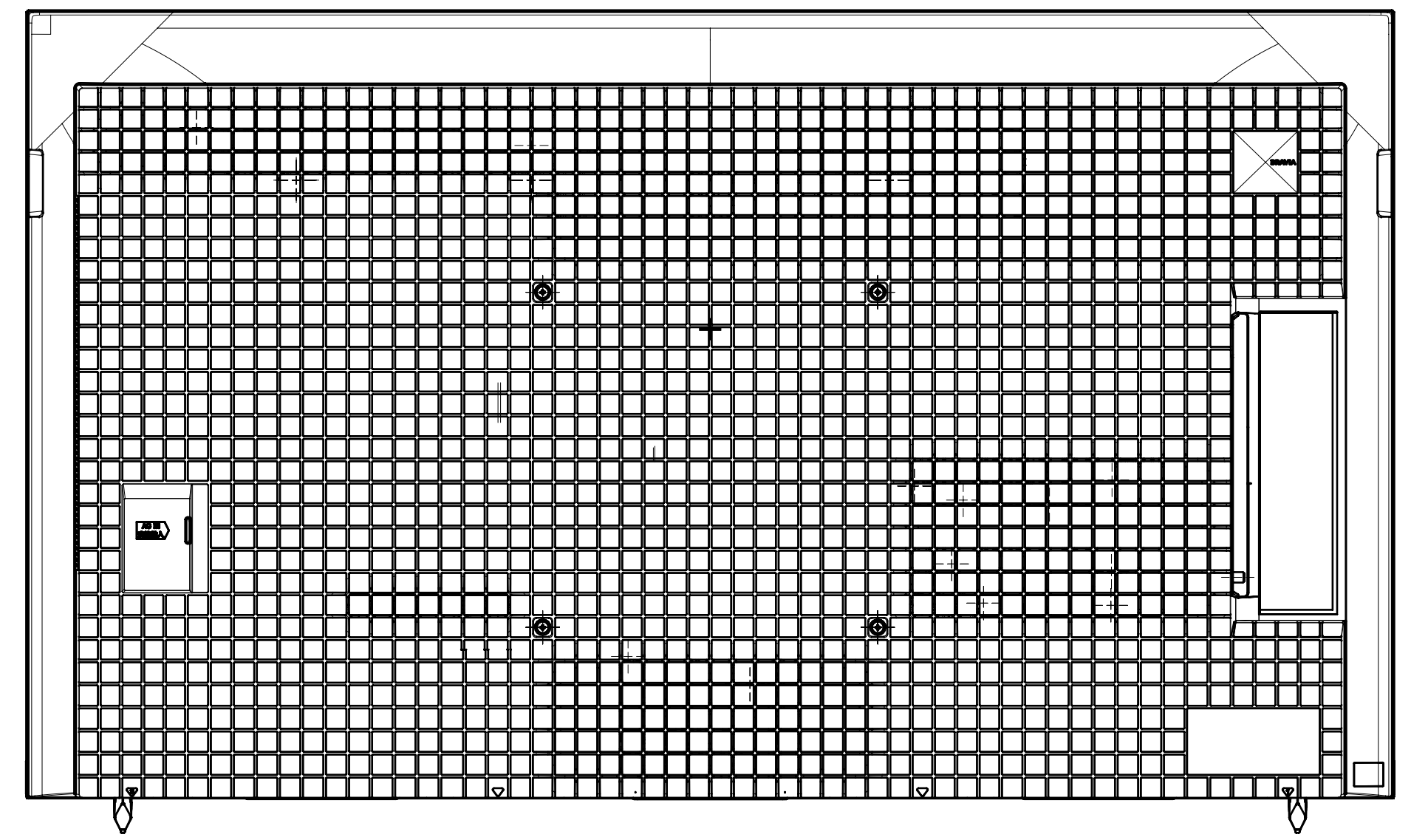
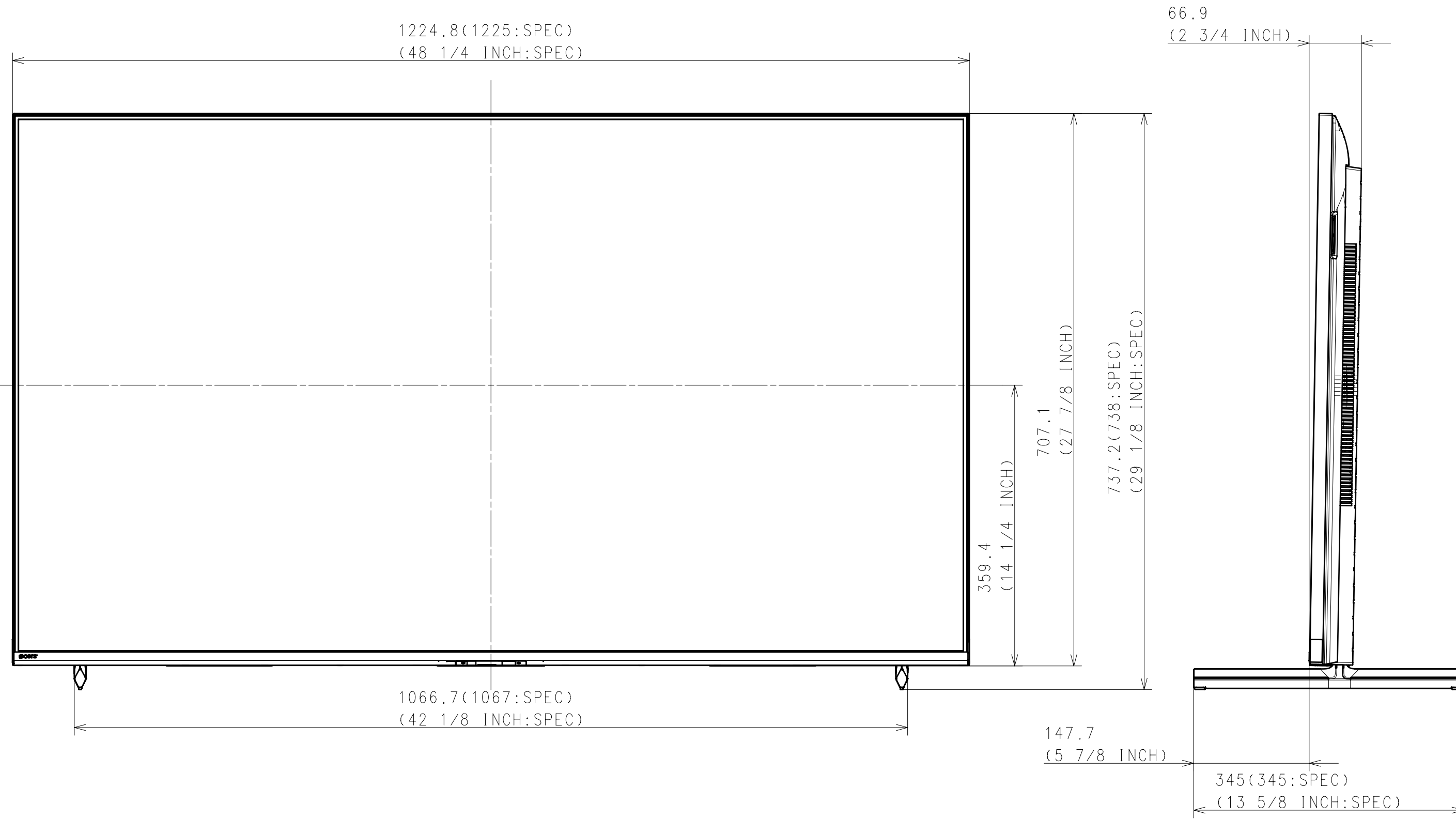
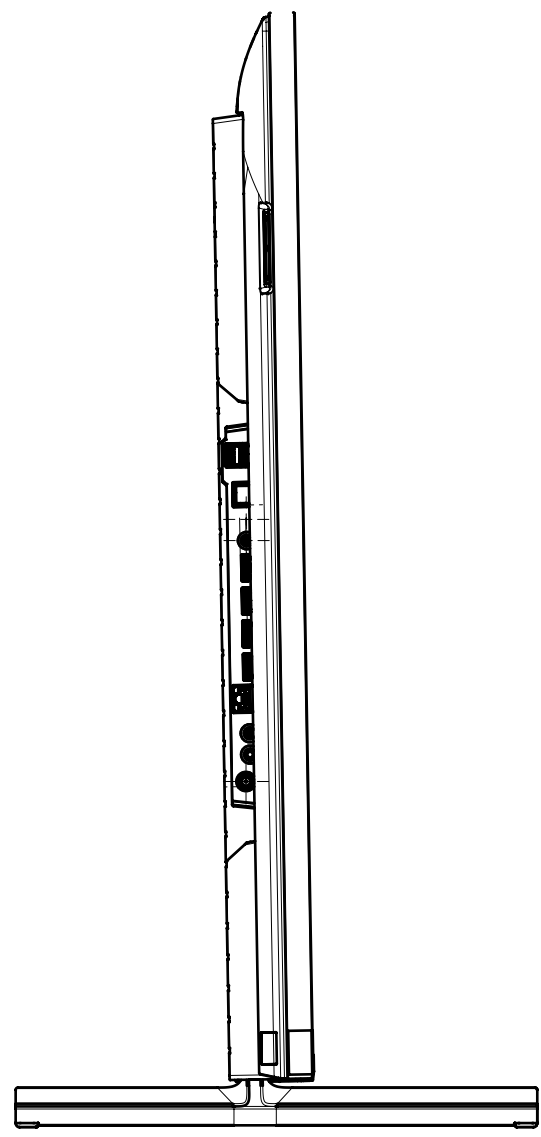
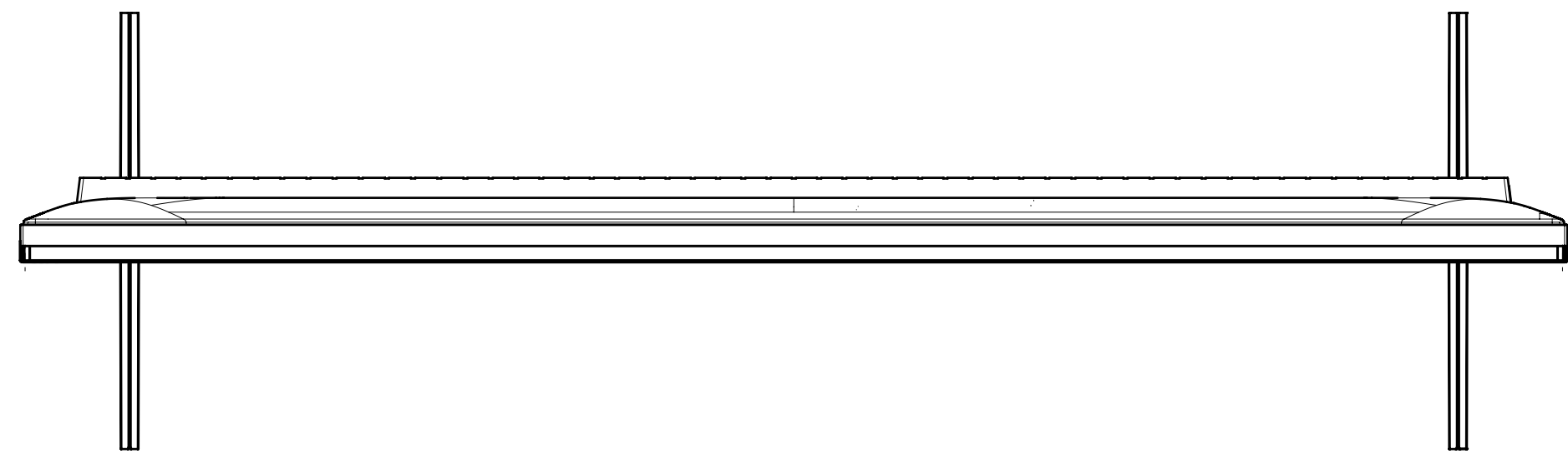


Area		JAPAN	NORTH AMERICA	LATIN AMERICA	EUROPE	GENERAL AREA	CHINA
Model Name		XRJ-55X90L	XR-55X90L	XR-55X90L	XR-55X90L	XR-55X90L	XR-55X90L
SV No.		SV-41326	SV-41076	SV-41106	SV-41293	SV-41134	SV-41251
DIMENSION	TV only (W x H x D)	122.5 x 70.7 x 5.6 (4.00) cm	1225 x 707 x 56 (40) mm / 48 1/4 x 27 7/8 x 2 1/4 (1 5/8) inch	1225 x 707 x 56 (40) mm	Approx. 122.5 x 70.7 x 5.6 (4.00) cm	Approx. 1225 x 707 x 56 (40) mm	Approx. 1225 x 707 x 56 (40) mm
	TV only with camera (W x H x D)	-	-	-	-	-	-
	TV with Stand (Standard position) (W x H x D)	122.5 x 73.8 x 34.5 cm	1225 x 738 x 345 mm / 48 1/4 x 29 1/8 x 13 5/8 inch	1225 x 738 x 345 mm	Approx. 122.5 x 73.8 x 34.5 cm	Approx. 1225 x 738 x 345 mm	Approx. 1225 x 738 x 345 mm
	TV with Stand (Narrow position) (W x H x D)	-	-	-	Approx. 122.5 x 73.8 x 34.5 cm	-	-
	TV with Stand (Soundbar position) (W x H x D)	122.5 x 77.8 x 34.5 cm	1225 x 778 x 345 mm / 48 1/4 x 30 3/4 x 13 5/8 inch	1225 x 778 x 345 mm	Approx. 122.5 x 77.8 x 34.5 cm	Approx. 1225 x 778 x 345 mm	Approx. 1225 x 778 x 345 mm
	TV with Stand (Front position style) (W x H x D)	-	-	-	-	-	-
	TV with Stand (Back position style) (W x H x D)	-	-	-	-	-	-
	TV with Floor Stand (W x H x D)	-	-	-	-	-	-
	Stand Width (Standard position)	106.7 cm	1067 mm / 42 1/8 inch	1067 mm	Approx. 106.7 cm	Approx. 1067 mm	Approx. 1067 mm
	Stand Width (Narrow position)	-	-	-	Approx. 40.4 cm	-	-
	Stand Width (Soundbar position)	106.7 cm	1067 mm / 42 1/8 inch	1067 mm	Approx. 106.7 cm	Approx. 1067 mm	Approx. 1067 mm
Stand Width (Front position style)	-	-	-	-	-	-	
Stand Width (Back position style)	-	-	-	-	-	-	
Floor Stand Width	-	-	-	-	-	-	
VESA Hole Pitch	30.0 x 30.0 cm	300 x 300 mm / 11 7/8 x 11 7/8 inch	300 x 300 mm	30.0 x 30.0 cm	300 x 300 mm	300 x 300 mm	
WEIGHT	TV Only	16.9 kg	16.9 kg / 37.3 lb	16.9 kg	Approx. 16.9 kg	Approx. 16.9 kg	Approx. 16.9 kg
	TV with Stand (Standard position)	17.7 kg	17.7 kg / 39 lb	17.7 kg	Approx. 17.7 kg	Approx. 17.7 kg	Approx. 17.7 kg
	TV with Stand (Narrow position)	-	-	-	Approx. 17.7 kg	-	-
	TV with Stand (Soundbar position)	17.7 kg	17.7 kg / 39 lb	17.7 kg	Approx. 17.7 kg	Approx. 17.7 kg	Approx. 17.7 kg
	TV with Stand (Front/Back position style)	-	-	-	-	-	-
	TV with Floor Stand	-	-	-	-	-	-
	Floor Stand weight (Supply)	-	-	-	-	-	-
W-M't Br. Weight (Supply)	-	-	-	-	-	-	
Remarks		2 ways	2 ways	2 ways	3 ways	2 ways	2 ways

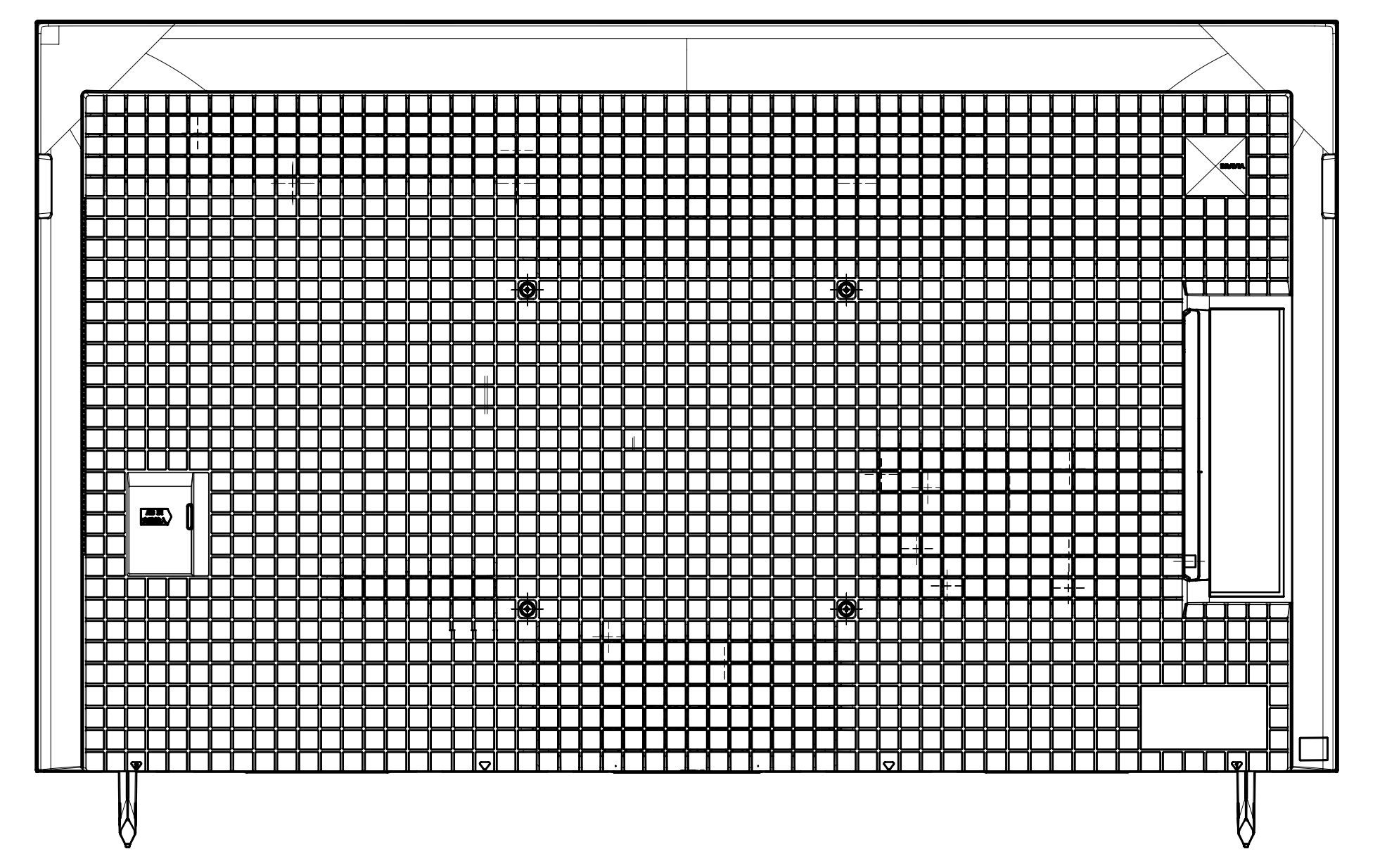
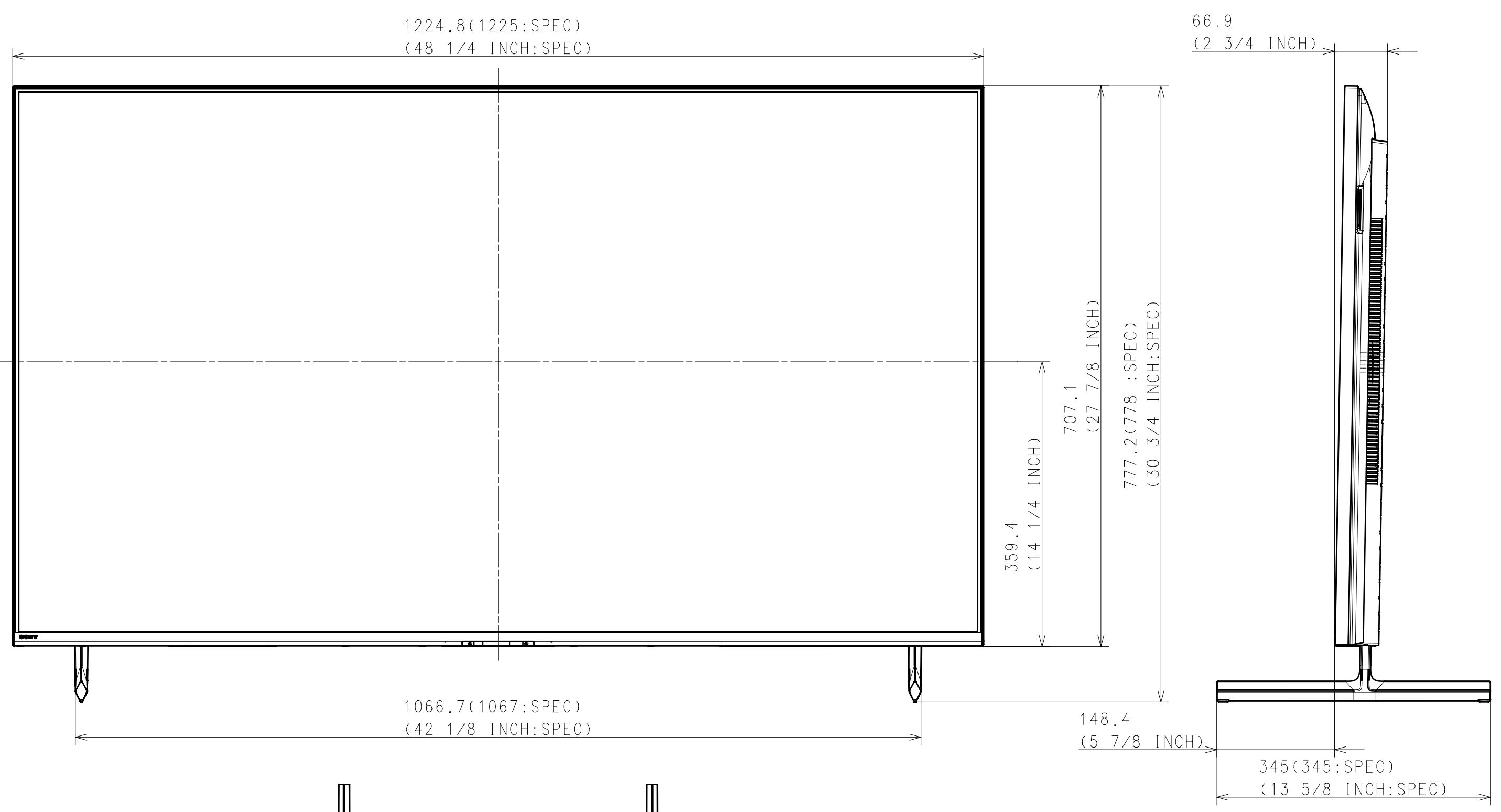
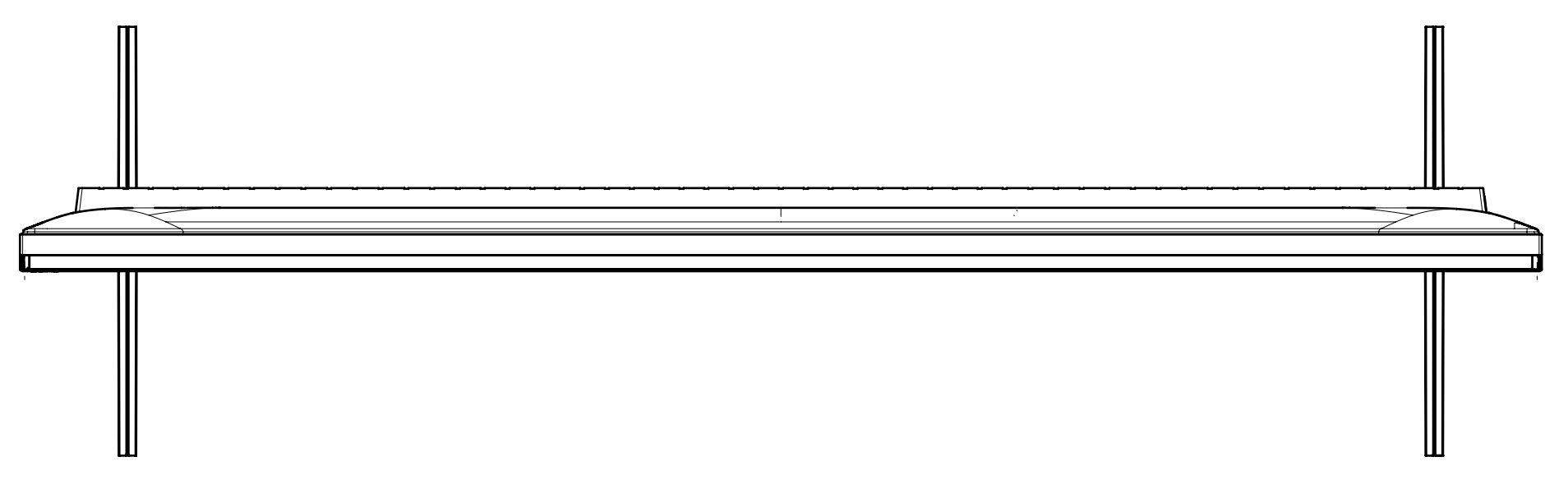
WITH STAND
STANDARD POSITION



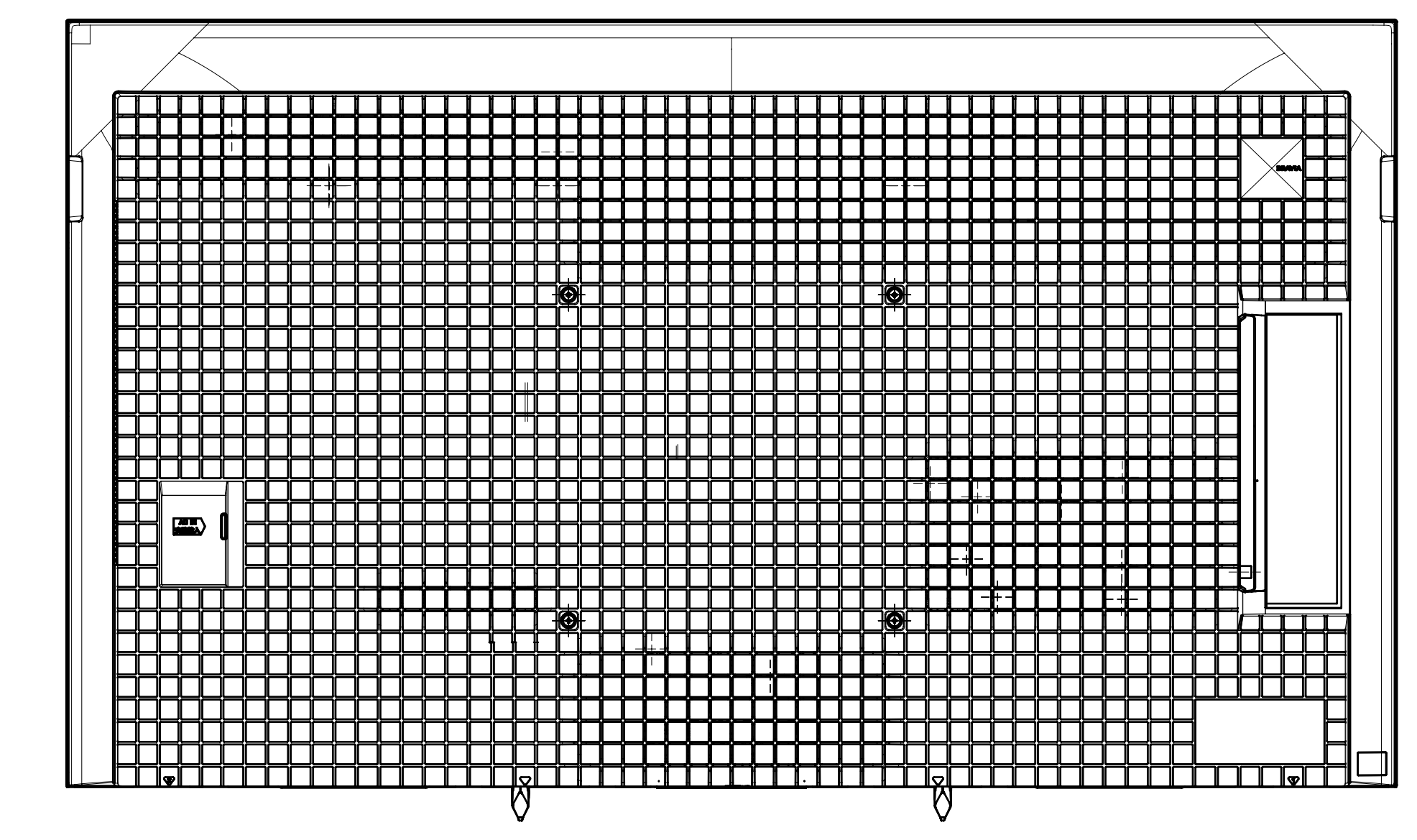
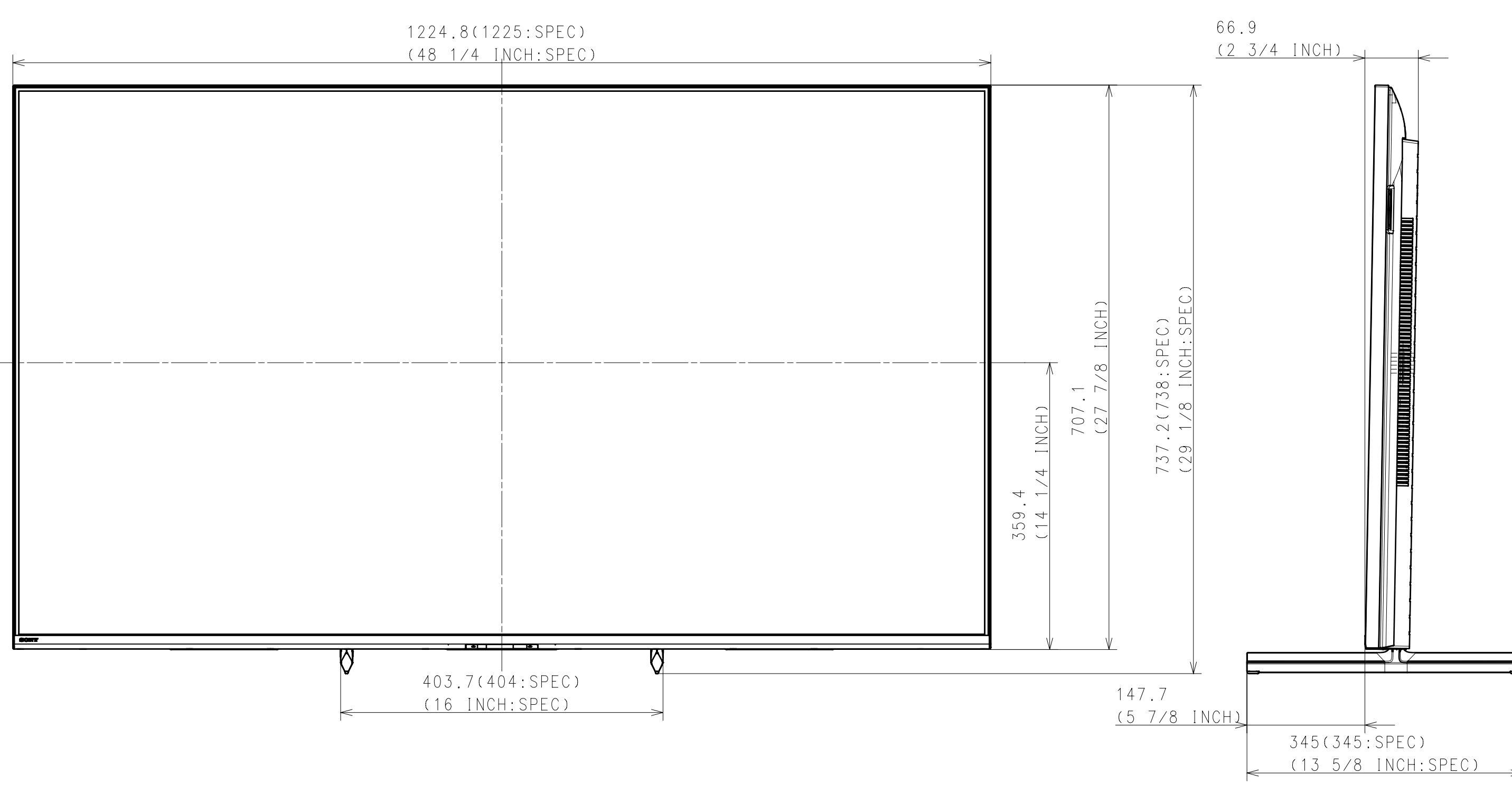
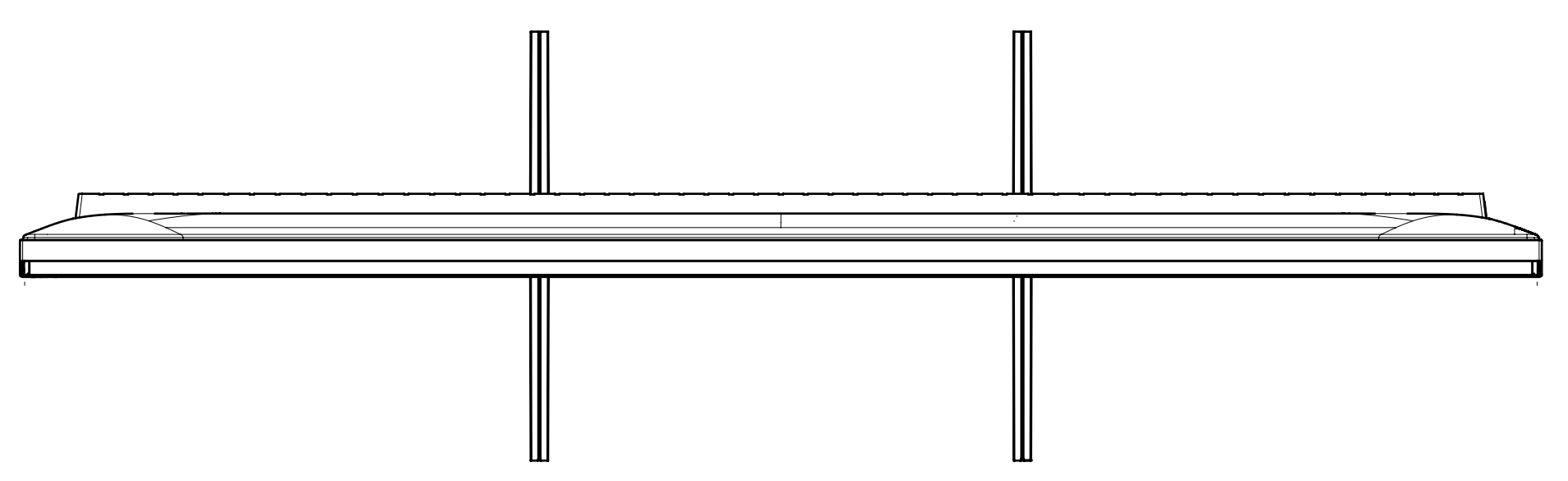
Purchase recycled resins and wire rods only from the business partners that Sony approves as Green Partners.
再生樹脂・鋼線鋼材はグリーンパートナー 認定受注先から購入してください。

△A	△B	△C	△D	△E	△F	△G	△H	△I	△J	△K	△L																																												
<table border="1"> <tr> <td>HISTORY COUNT</td> <td>SUFFIX REV. NO.</td> <td>RELEASE NO. DATE</td> <td>REVISION</td> <td>SIGN.</td> <td>MATERIAL COLOR</td> <td>FINISH COLOR</td> <td>GENERAL TOLERANCE</td> <td>DATE OF ISSUE</td> </tr> <tr> <td colspan="4">Sony Corporation</td> <td colspan="2">RESPONSIBLE DEPARTMENT Panel & Mechanical Design</td> <td>ORIGINAL MODEL</td> <td>DESCRIPTION</td> <td>DOCUMENT TYPE</td> </tr> <tr> <td colspan="2">PLANNED BY 2022.11.23 I.K.M.</td> <td colspan="2">CHECKED BY</td> <td>APPROVED BY</td> <td>SCALE 1:5</td> <td>TENTATIVE MODEL</td> <td>55(X90L) EXTERIOR VIEW</td> <td>PART</td> </tr> <tr> <td colspan="2">DRAWN BY 2022.11.23 I.K.M.</td> <td colspan="2">PREP. METHOD</td> <td>SIZE A1</td> <td>UNIT mm</td> <td>PAGE NO.</td> <td>55(X90L) EXTERIOR VIEW</td> <td>TOOLERANCE DRAWING (JIS & SPECIFIED PARTS)</td> </tr> <tr> <td colspan="3">SHEET/PAGES 1 / 5</td> <td colspan="2">SUFFIX</td> <td>REV. NO.</td> <td colspan="3">DATE OF ISSUE</td> </tr> </table>											HISTORY COUNT	SUFFIX REV. NO.	RELEASE NO. DATE	REVISION	SIGN.	MATERIAL COLOR	FINISH COLOR	GENERAL TOLERANCE	DATE OF ISSUE	Sony Corporation				RESPONSIBLE DEPARTMENT Panel & Mechanical Design		ORIGINAL MODEL	DESCRIPTION	DOCUMENT TYPE	PLANNED BY 2022.11.23 I.K.M.		CHECKED BY		APPROVED BY	SCALE 1:5	TENTATIVE MODEL	55(X90L) EXTERIOR VIEW	PART	DRAWN BY 2022.11.23 I.K.M.		PREP. METHOD		SIZE A1	UNIT mm	PAGE NO.	55(X90L) EXTERIOR VIEW	TOOLERANCE DRAWING (JIS & SPECIFIED PARTS)	SHEET/PAGES 1 / 5			SUFFIX		REV. NO.	DATE OF ISSUE		
HISTORY COUNT	SUFFIX REV. NO.	RELEASE NO. DATE	REVISION	SIGN.	MATERIAL COLOR	FINISH COLOR	GENERAL TOLERANCE	DATE OF ISSUE																																															
Sony Corporation				RESPONSIBLE DEPARTMENT Panel & Mechanical Design		ORIGINAL MODEL	DESCRIPTION	DOCUMENT TYPE																																															
PLANNED BY 2022.11.23 I.K.M.		CHECKED BY		APPROVED BY	SCALE 1:5	TENTATIVE MODEL	55(X90L) EXTERIOR VIEW	PART																																															
DRAWN BY 2022.11.23 I.K.M.		PREP. METHOD		SIZE A1	UNIT mm	PAGE NO.	55(X90L) EXTERIOR VIEW	TOOLERANCE DRAWING (JIS & SPECIFIED PARTS)																																															
SHEET/PAGES 1 / 5			SUFFIX		REV. NO.	DATE OF ISSUE																																																	

WITH STAND
SOUND BAR POSITION

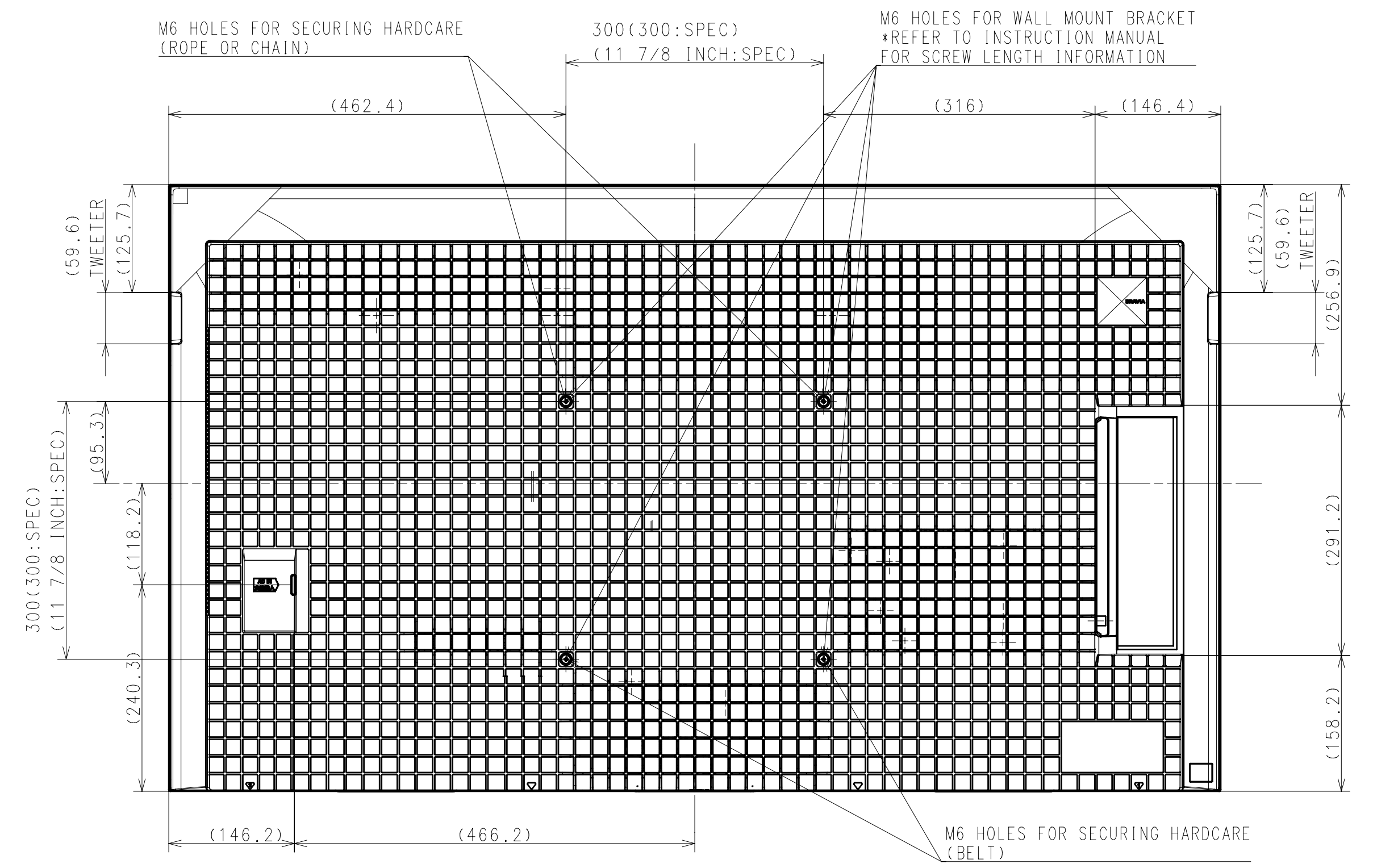
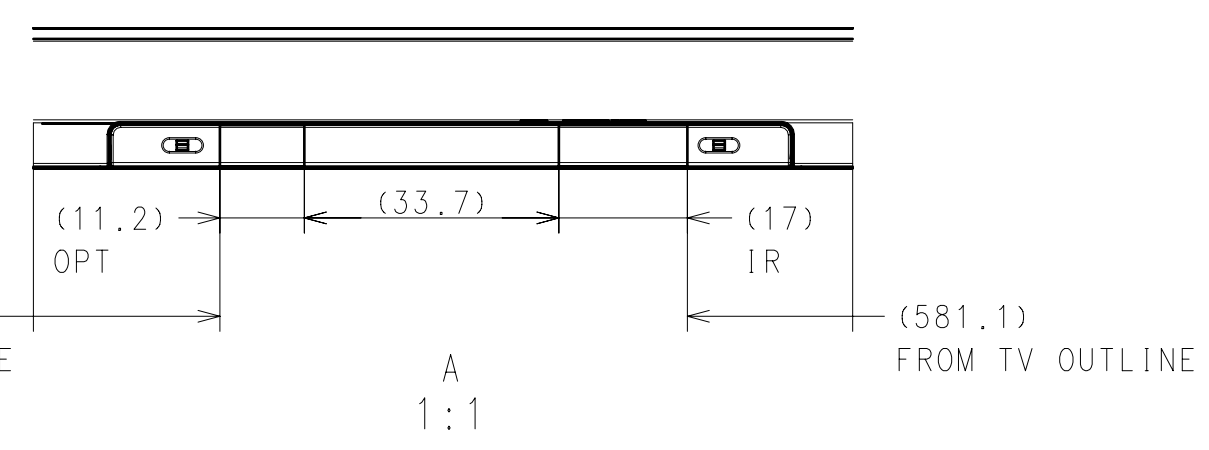
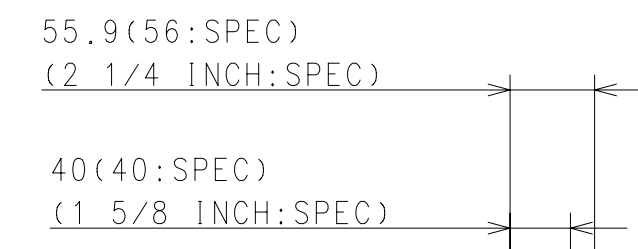
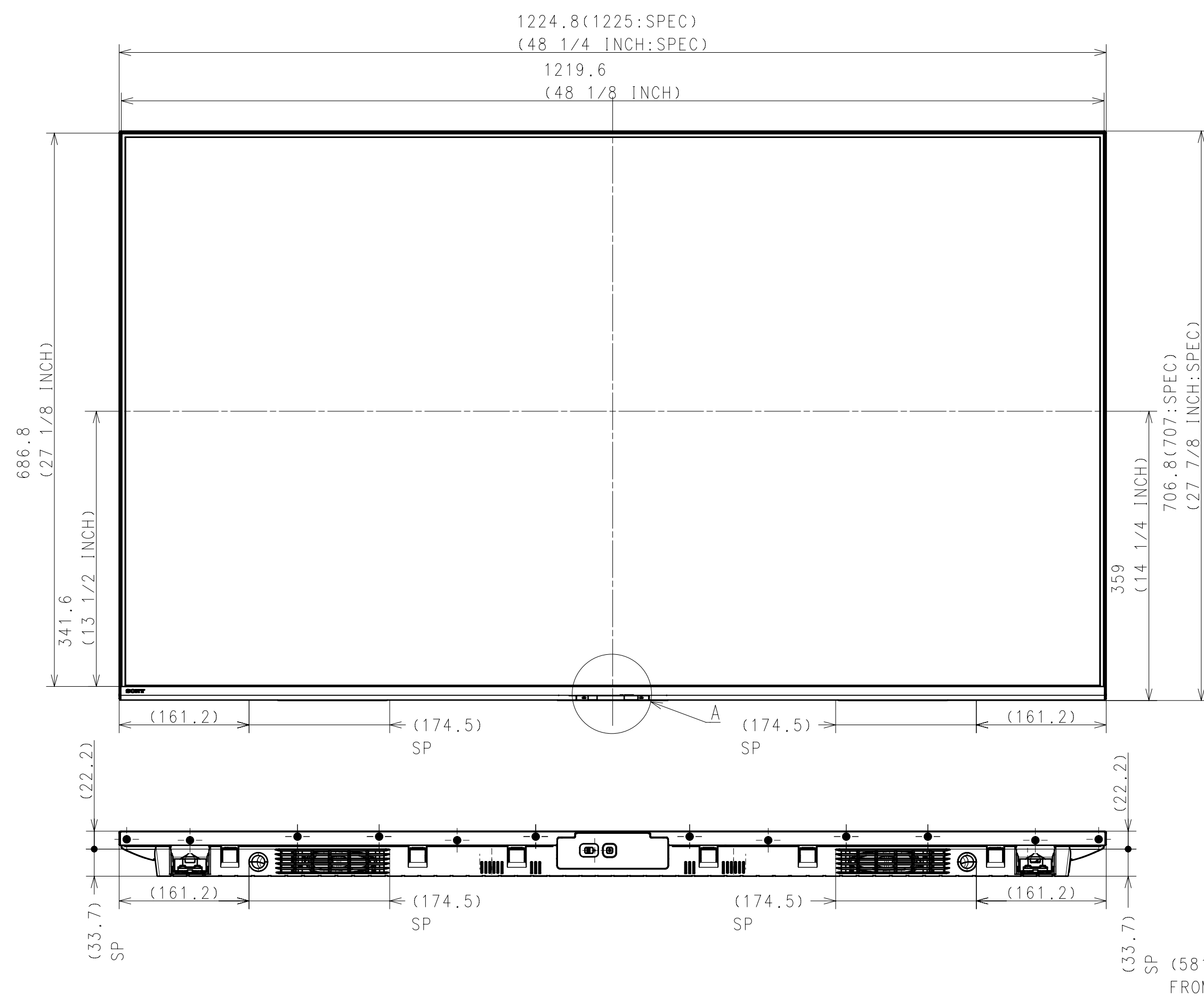
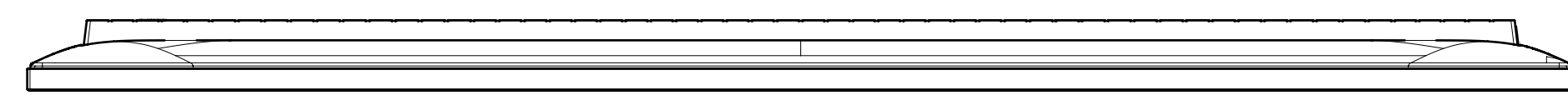


WITH STAND
NARROW POSITION

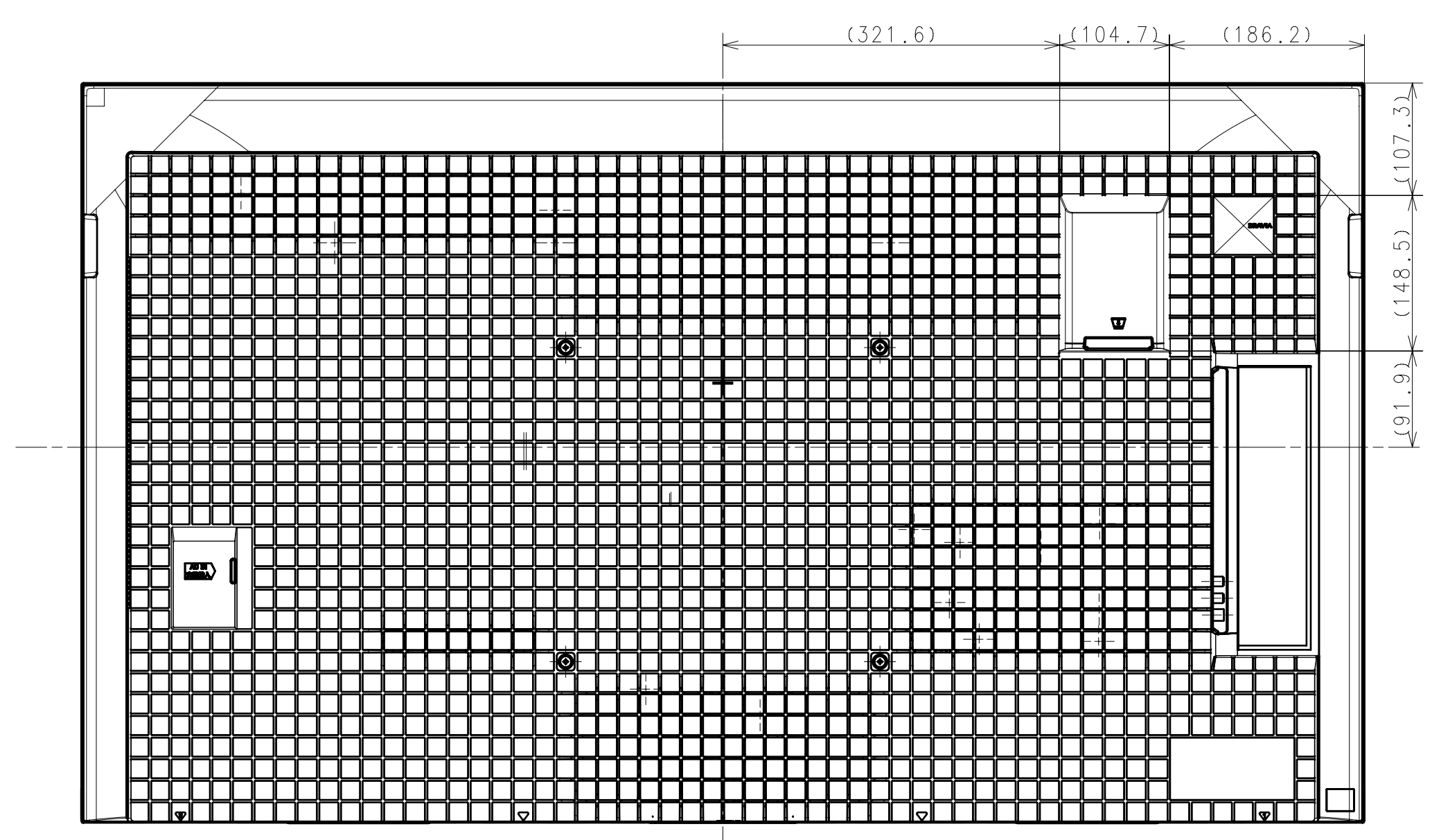


DESCRIPTION 1	LEGAL OWNER	SCALE
55(X90L) EXTERIOR VIEW	Sony Corporation	1:1
DESCRIPTION 2	PART NO.	SHEET/PAGES
55(X90L) EXTERIOR VIEW		2 / 5

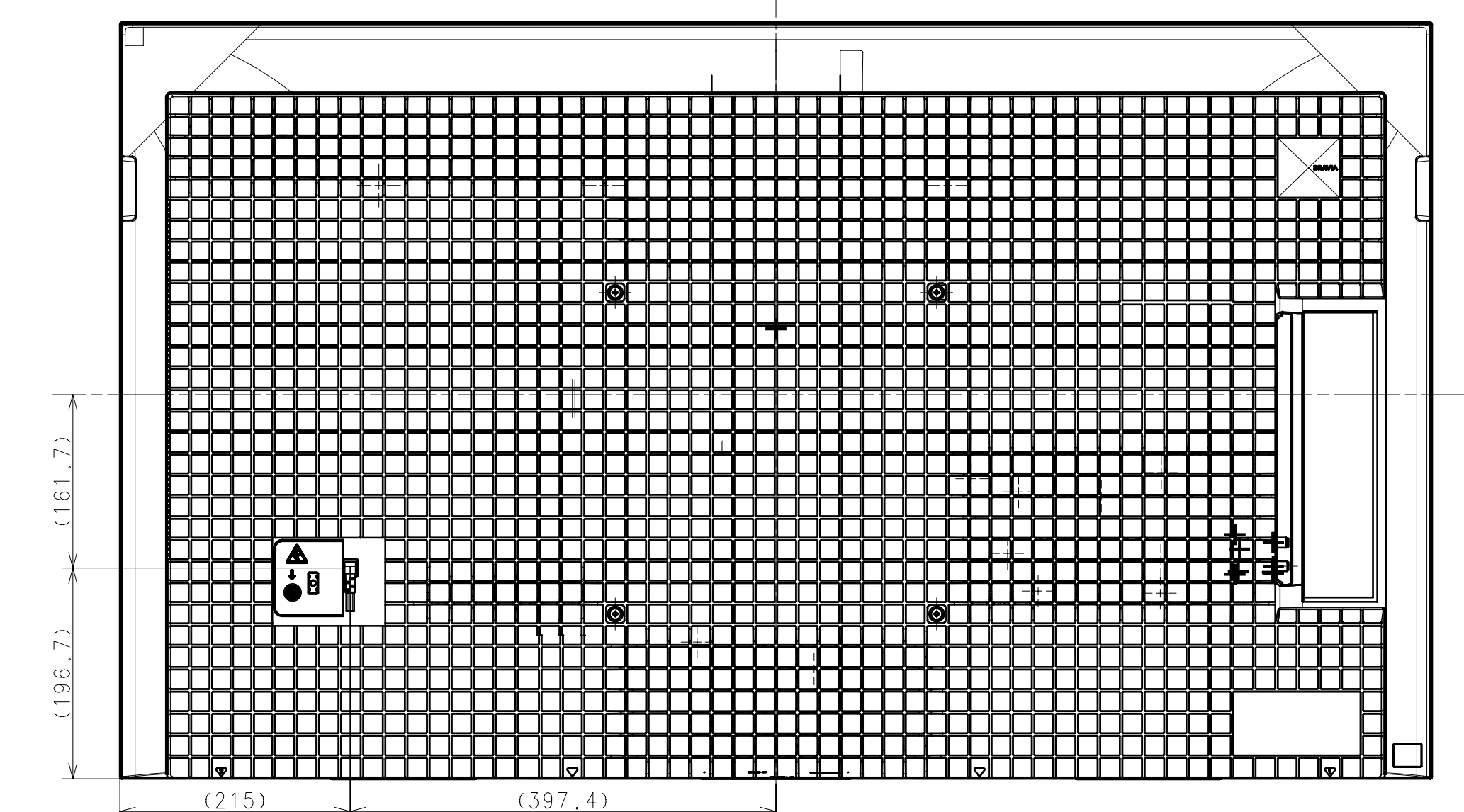
WITHOUT STAND



FOR GENERAL AREA/CHINA



FOR EUROPE



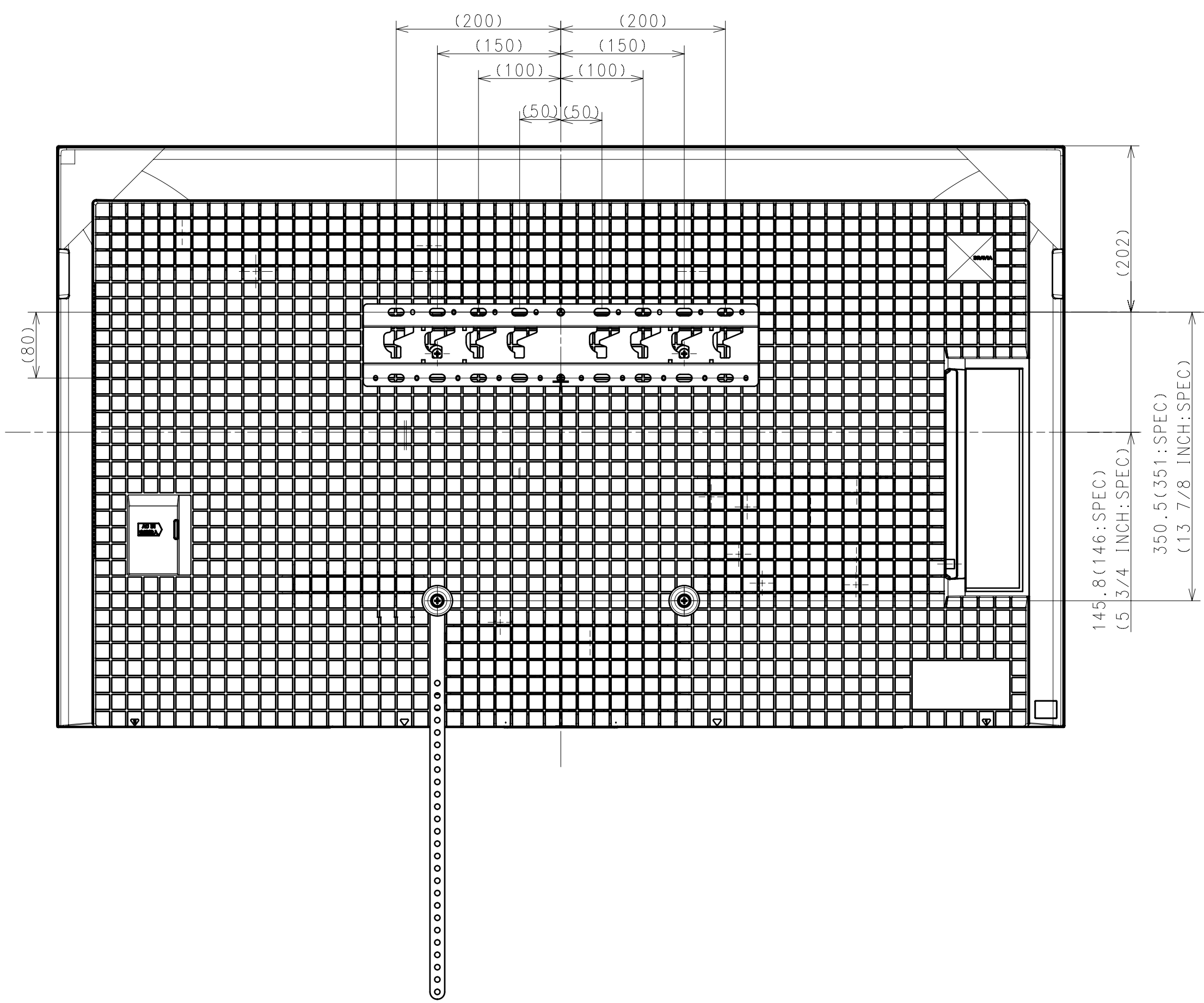
FOR JAPAN/LATIN AMERICA

DESCRIPTION 1	55(X90L) EXTERIOR VIEW	LEGAL OWNER	Sony Corporation	SCALE	1:1
DESCRIPTION 2	55(X90L) EXTERIOR VIEW	PART NO.		SHEET/PAGES	3 / 5

SU-WL450

STANDARD

SLIM

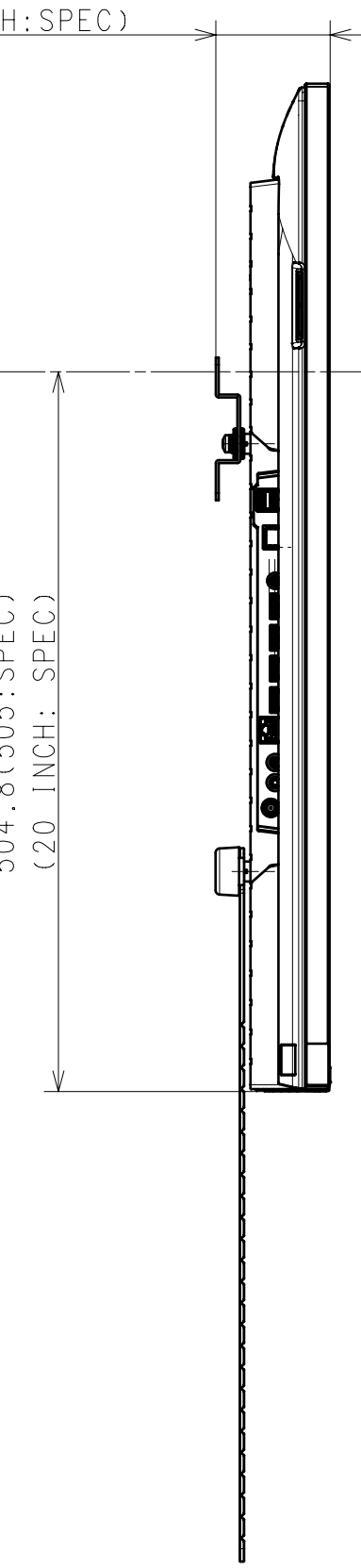
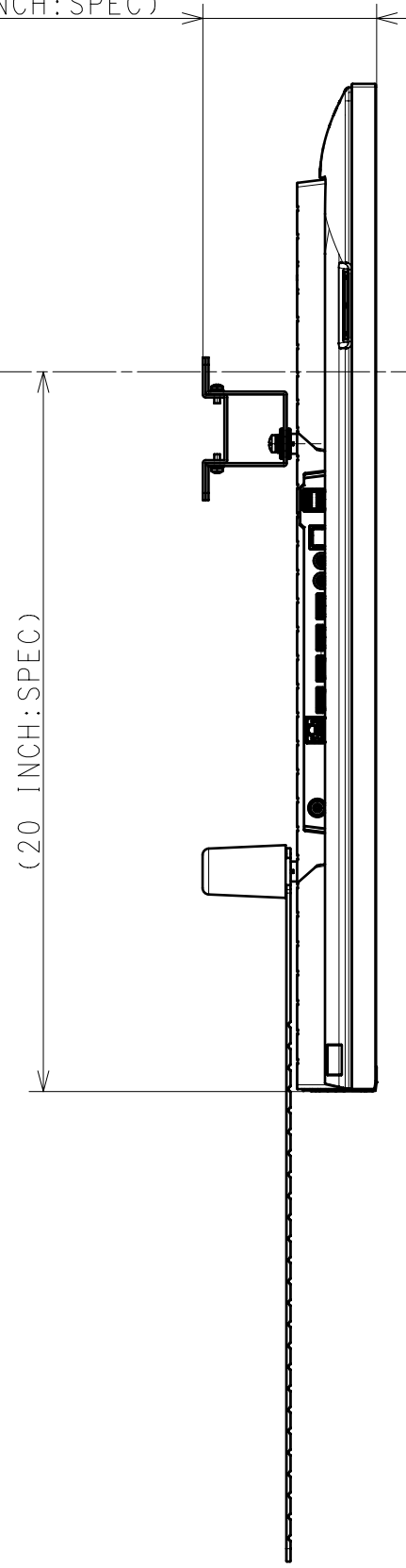


122 (122:SPEC)
(4 7/8 INCH:SPEC)

80.2 (81:SPEC)
(3 1/4 INCH:SPEC)

504.8 (505:SPEC)
(20 INCH:SPEC)

504.8 (505:SPEC)
(20 INCH:SPEC)

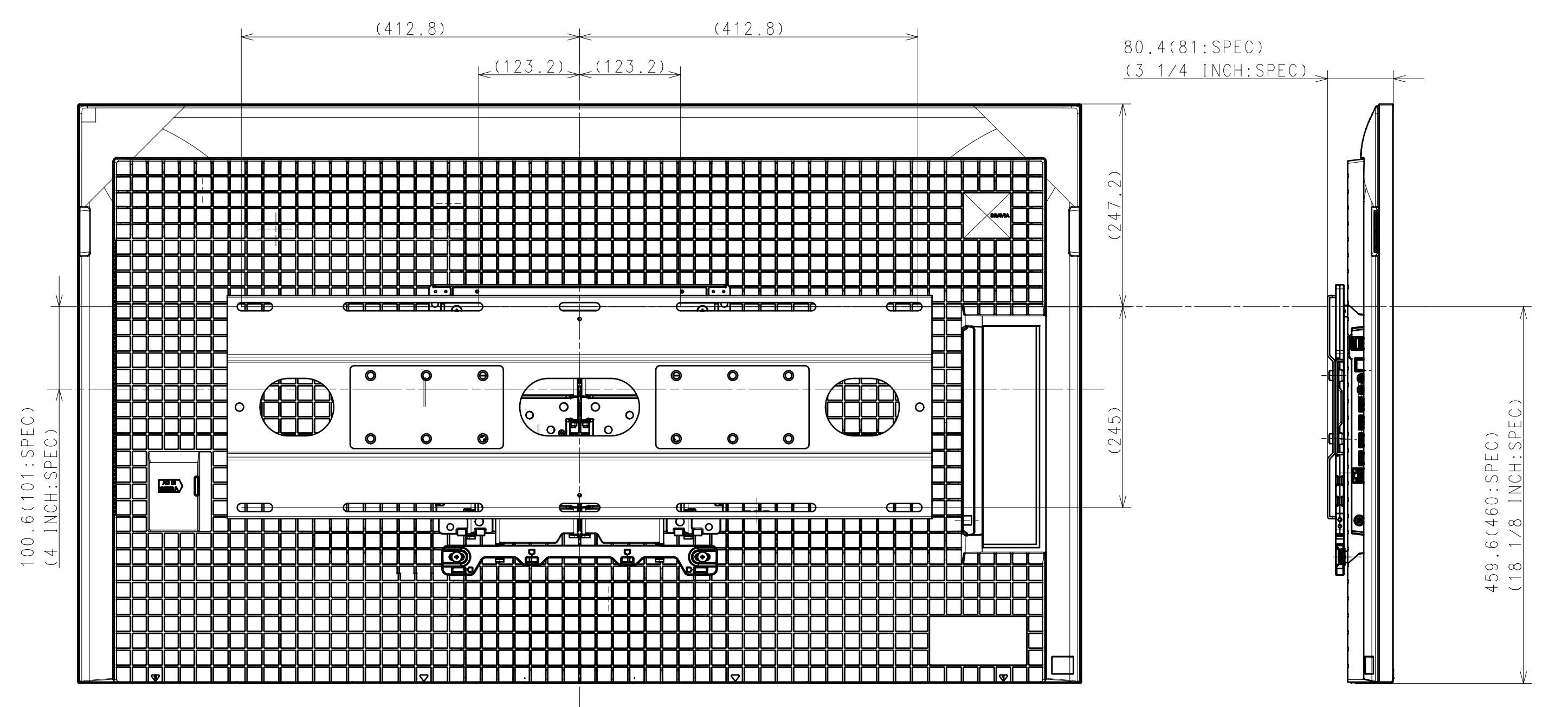
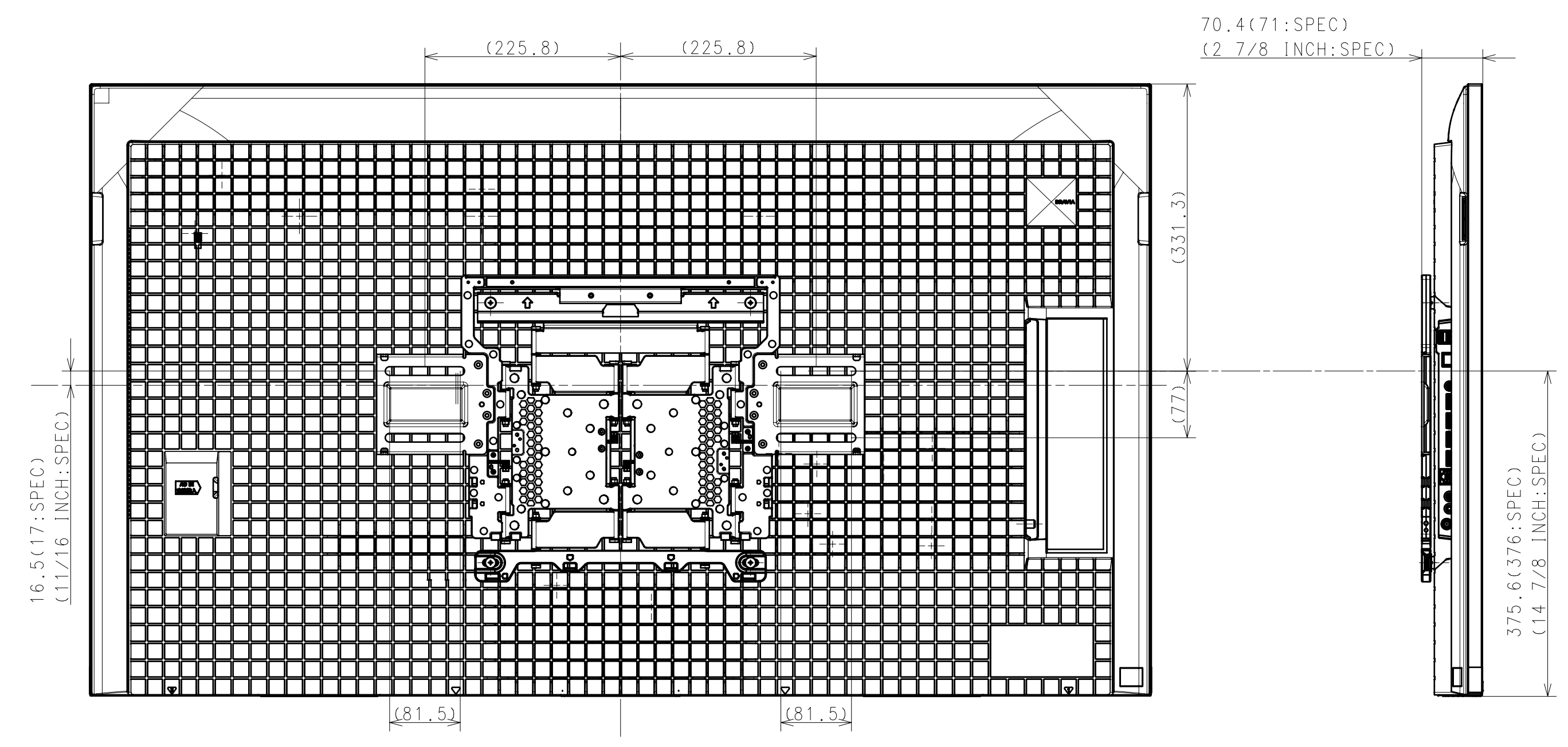
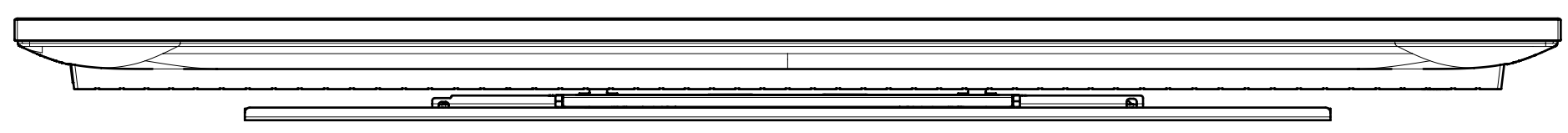
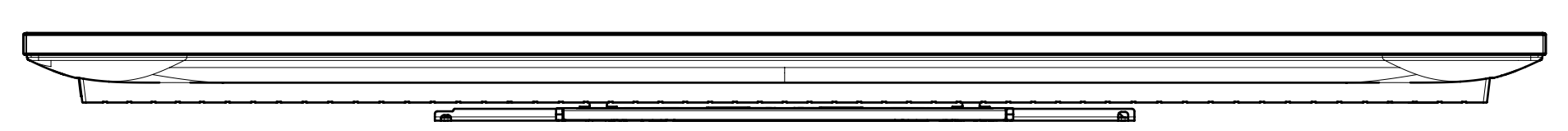
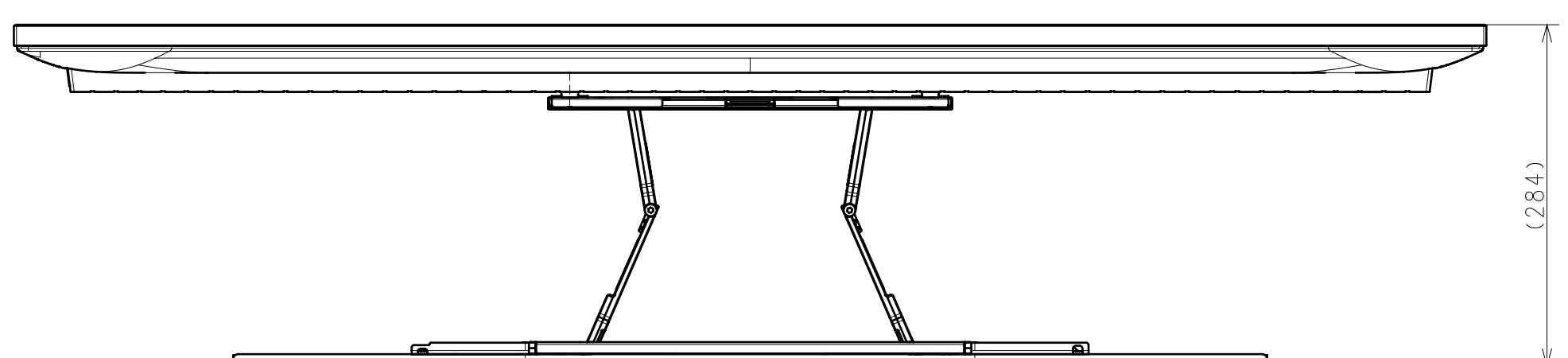
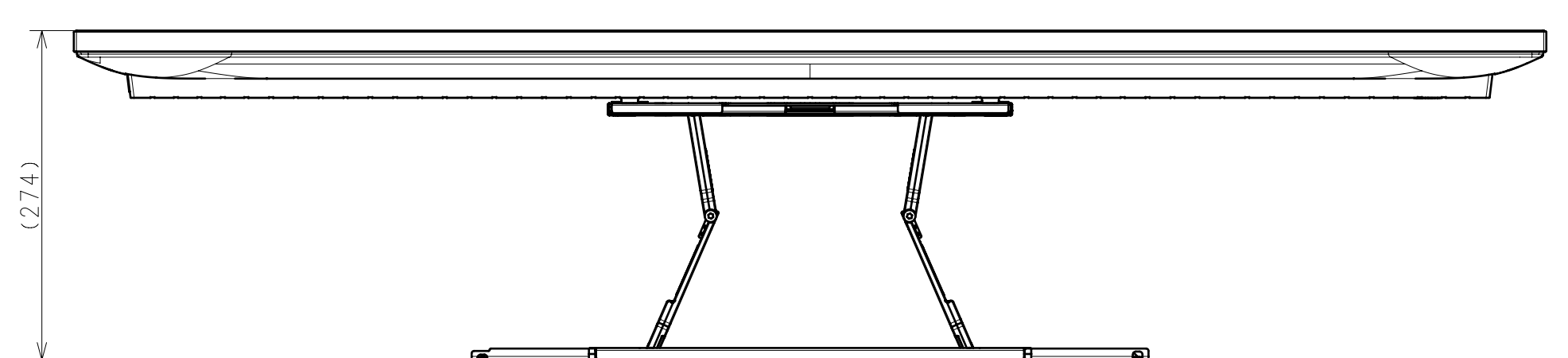
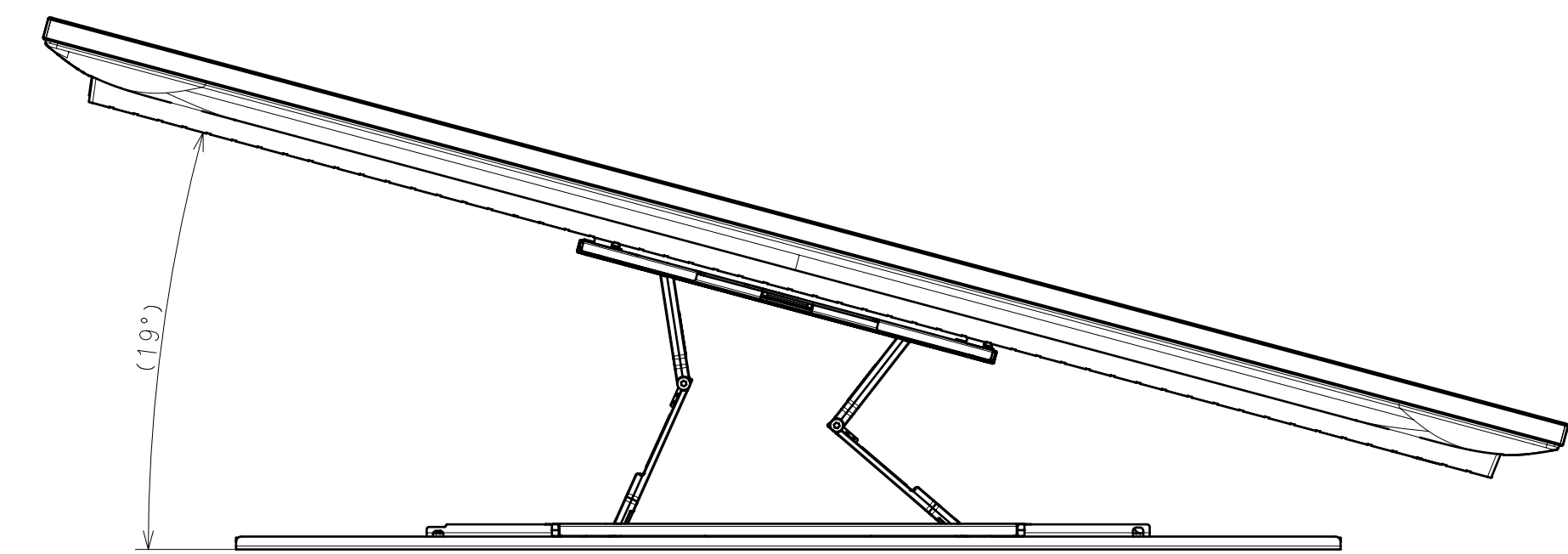
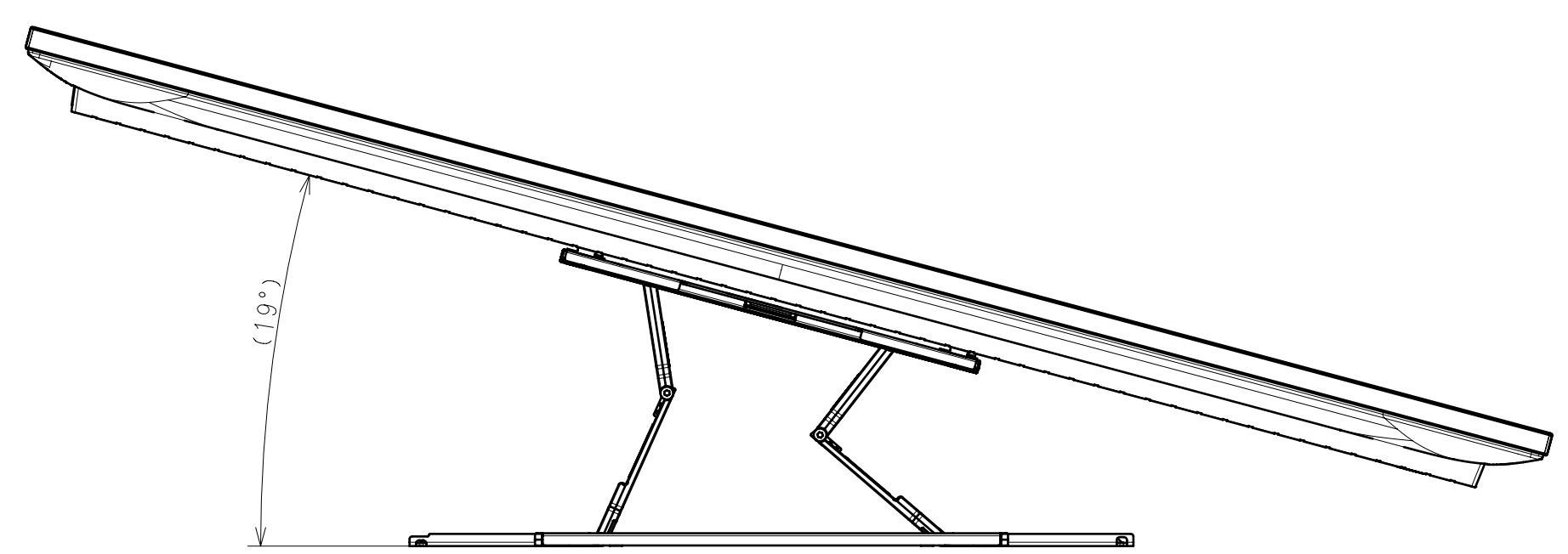
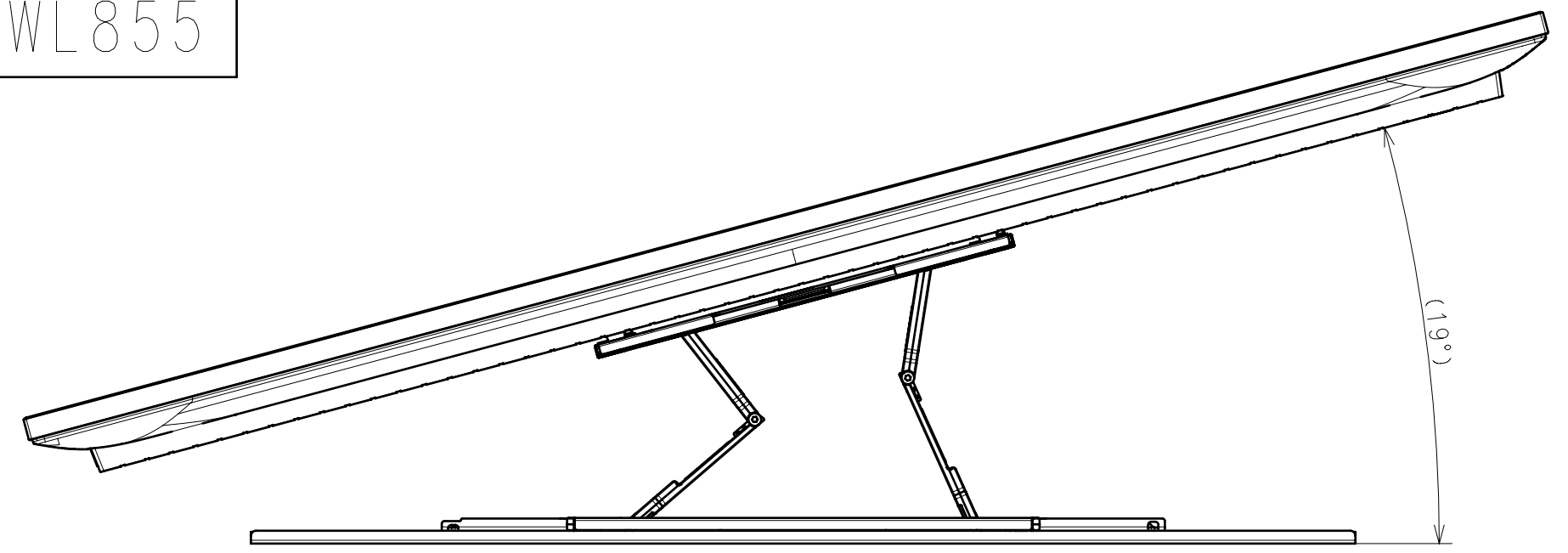
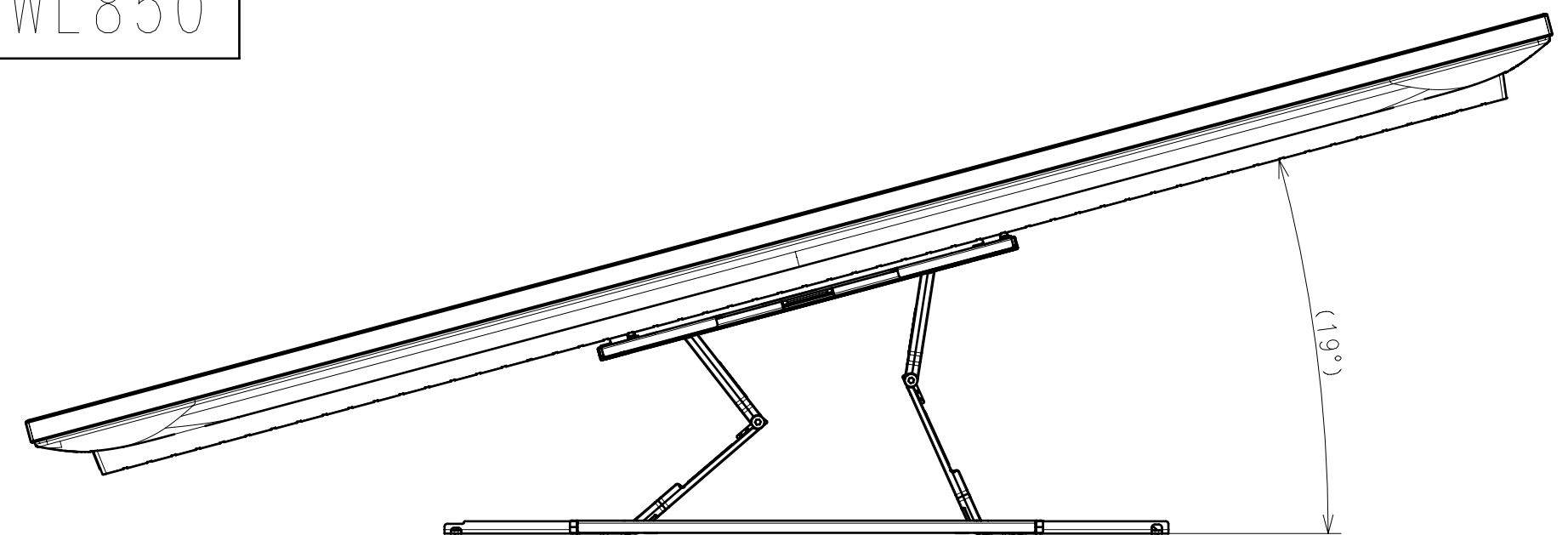


SONY STANDARD
DRAWING

DESCRIPTION 1	LEGAL OWNER	SCALE
55(X90L) EXTERIOR VIEW	Sony Corporation	1:1
DESCRIPTION 2	PART NO.	SHEET/PAGES
55(X90L) EXTERIOR VIEW		4 / 5

SU-WL850

SU-WL855



DESCRIPTION 1	55(X90L) EXTERIOR VIEW	LEGAL OWNER	Sony Corporation	SCALE	1:1
DESCRIPTION 2	55(X90L) EXTERIOR VIEW	PART NO.		SHEET/PAGES	5 / 5