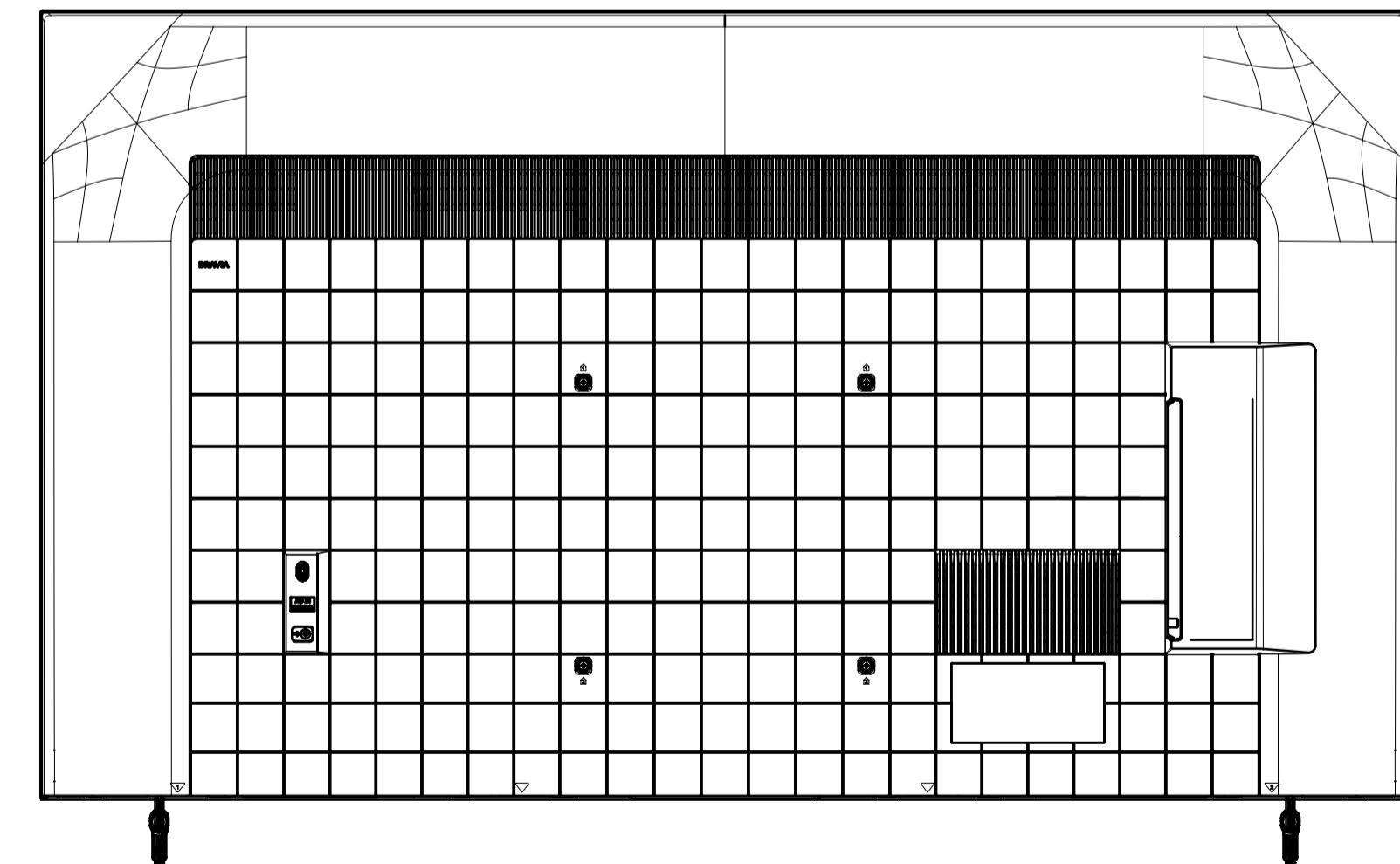
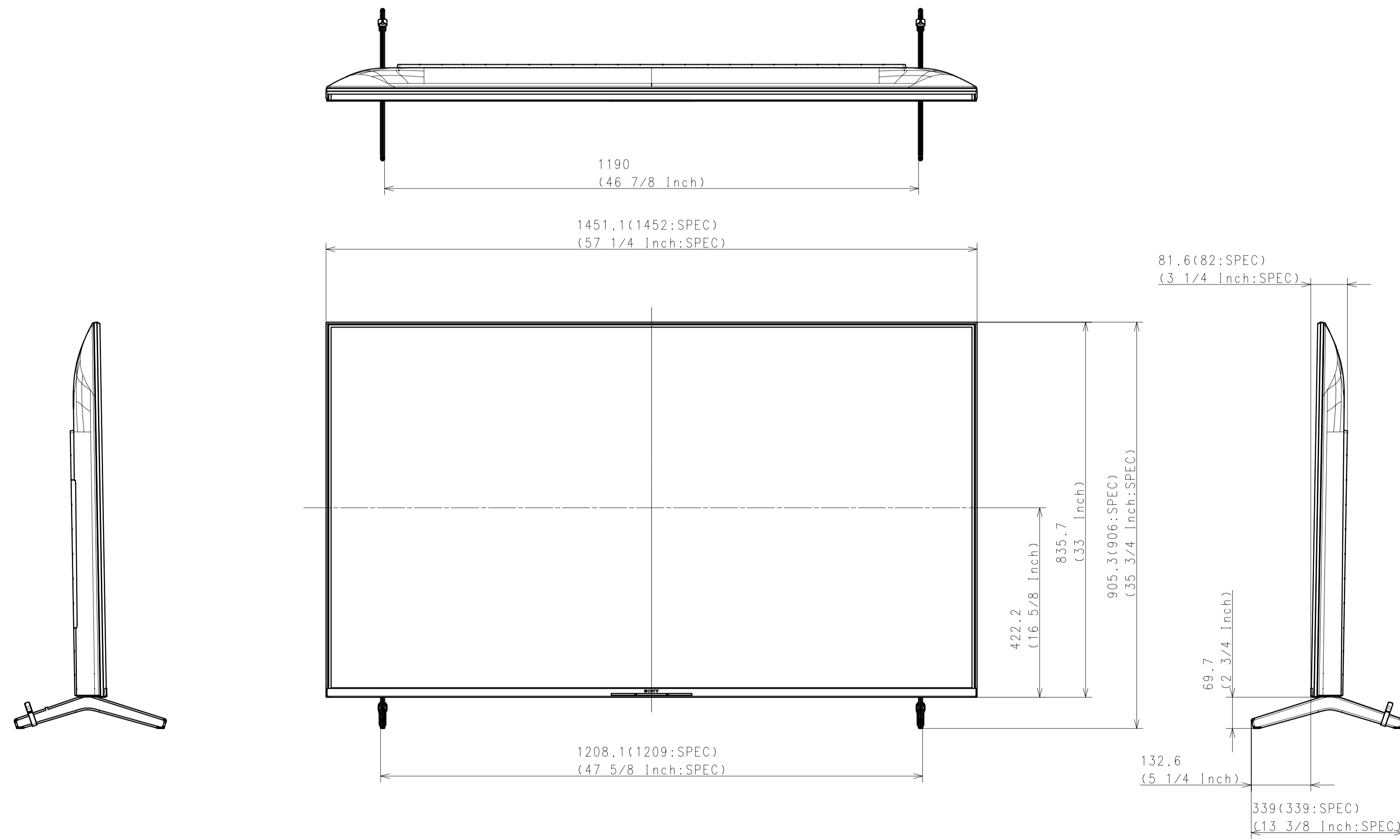


Area		NORTH AMERICA	LATIN AMERICA	EUROPE	GENERAL AREA	CHINA
Model Name		KD-65X85K	KD-65X85K	KD-65X85K	KD-65X85K Δ	KD-65X85K Δ
SV No.		SV-40218	SV-40237	SV-40333	SV-40270	SV-40302
DIMENSION	TV only (W x H x D)	1452 x 836 x 72 mm / 57 1/4 x 33 x 2 7/8 inch	1452 x 836 x 72 mm	Approx. 145.2 x 83.6 x 7.2 cm	Approx. 1452 x 836 x 72 mm	Approx. 1452 x 836 x 72 mm
	TV only with camera (WxHxD)	-	-	-	-	-
	TV with Stand (Standard position) (W x H x D)	1452 x 905 x 338 mm / 57 1/4 x 35 3/4 x 13 3/8 inch	1452 x 905 x 338 mm	Approx. 145.2 x 90.6 x 33.9 cm	Approx. 1452 x 906 x 339 mm	Approx. 1452 x 906 x 339 mm
	TV with Stand (Narrow position) (W x H x D)	-	-	Approx. 145.2 x 90.6 x 33.9 cm	-	-
	TV with Stand (Soundbar position) (W x H x D)	-	-	-	-	-
	TV with Stand (Front position style) (W x H x D)	-	-	-	-	-
	TV with Stand (Back position style) (W x H x D)	-	-	-	-	-
	TV with Floor Stand (W x H x D)	-	-	-	-	-
	Stand Width (Standard position)	1208 mm / 47 5/8 inch	1208 mm	Approx. 120.9 cm	Approx. 1209 mm	Approx. 1209 mm
	Stand Width (Narrow position)	-	-	Approx. 47.9 cm	-	-
	Stand Width (Soundbar position)	-	-	-	-	-
	Stand Width (Front position style)	-	-	-	-	-
	Stand Width (Back position style)	-	-	-	-	-
	Floor Stand Width	-	-	-	-	-
VESA Hole Pitch	300 x 300 mm / 11 7/8 x 11 7/8 inch	300 x 300 mm	30.0 x 30.0 cm	300 x 300 mm	300 x 300 mm	
WEIGHT	TV Only	22 kg / 48.5 lb	22 kg	Approx. 22 kg	Approx. 22 kg	Approx. 22 kg
	TV with Stand (Standard position)	22.9 kg / 50.5 lb	22.9 kg	Approx. 23 kg	Approx. 23 kg	Approx. 23 kg
	TV with Stand (Narrow position)	-	-	-	-	-
	TV with Stand (Soundbar position)	-	-	-	-	-
	TV with Stand (Front/Back position style)	-	-	-	-	-
	TV with Floor Stand	-	-	-	-	-
	Floor Stand weight (Supply)	-	-	-	-	-
W-M't Br. Weight (Supply)	-	-	-	-	-	
Remarks		Main Stand(APH)	Main Stand(APH)	2way		

WITH STAND

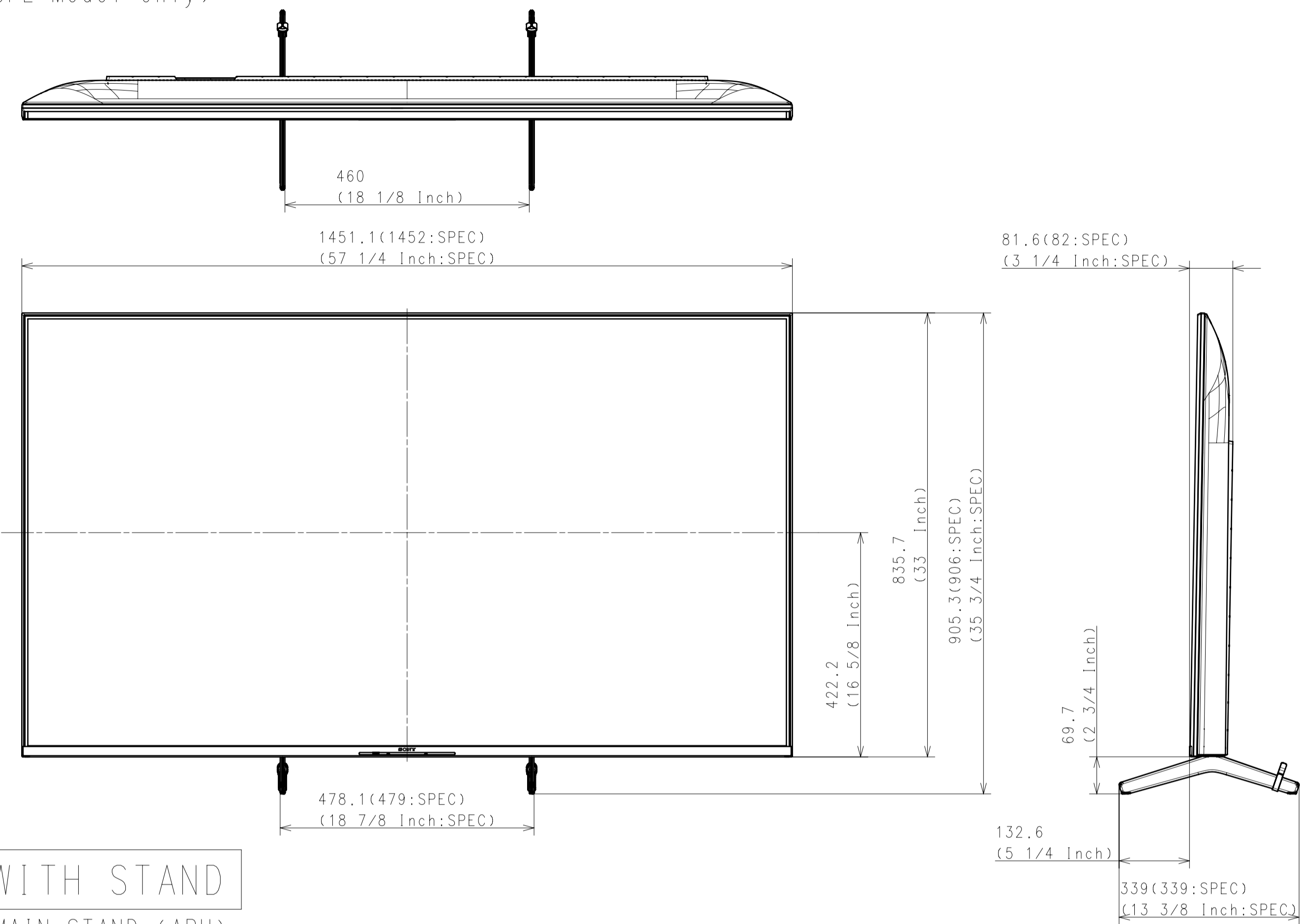
MAIN STAND (STANDARD POSITION)



HISTORY 2 2022.01.20 CORRECT INFORMATION SUFFIX AREA NO. DATE REVISION SIGN.		GENERAL TOLERANCE DATE OF ISSUE 2021.12.15 DOCUMENT TYPE ASSEMBLY TOLERANCING DRAWING (JIS & ISO/IEC15000)
RESPONSIBLE DEPARTMENT PANEL & MECHANICAL DESIGN PLANNED BY 2021.12.15 ADLEE 053 - MECH DRAWN BY 2021.12.15 ADLEE 053 - MECH		ORIGINAL MODEL 65 (X85K) EXTERIOR VIEW TENTATIVE MODEL 65 (X85K) EXTERIOR VIEW SCALE 1:7 SIZE A1 UNIT mm SHEET/PAGES 1 / 5

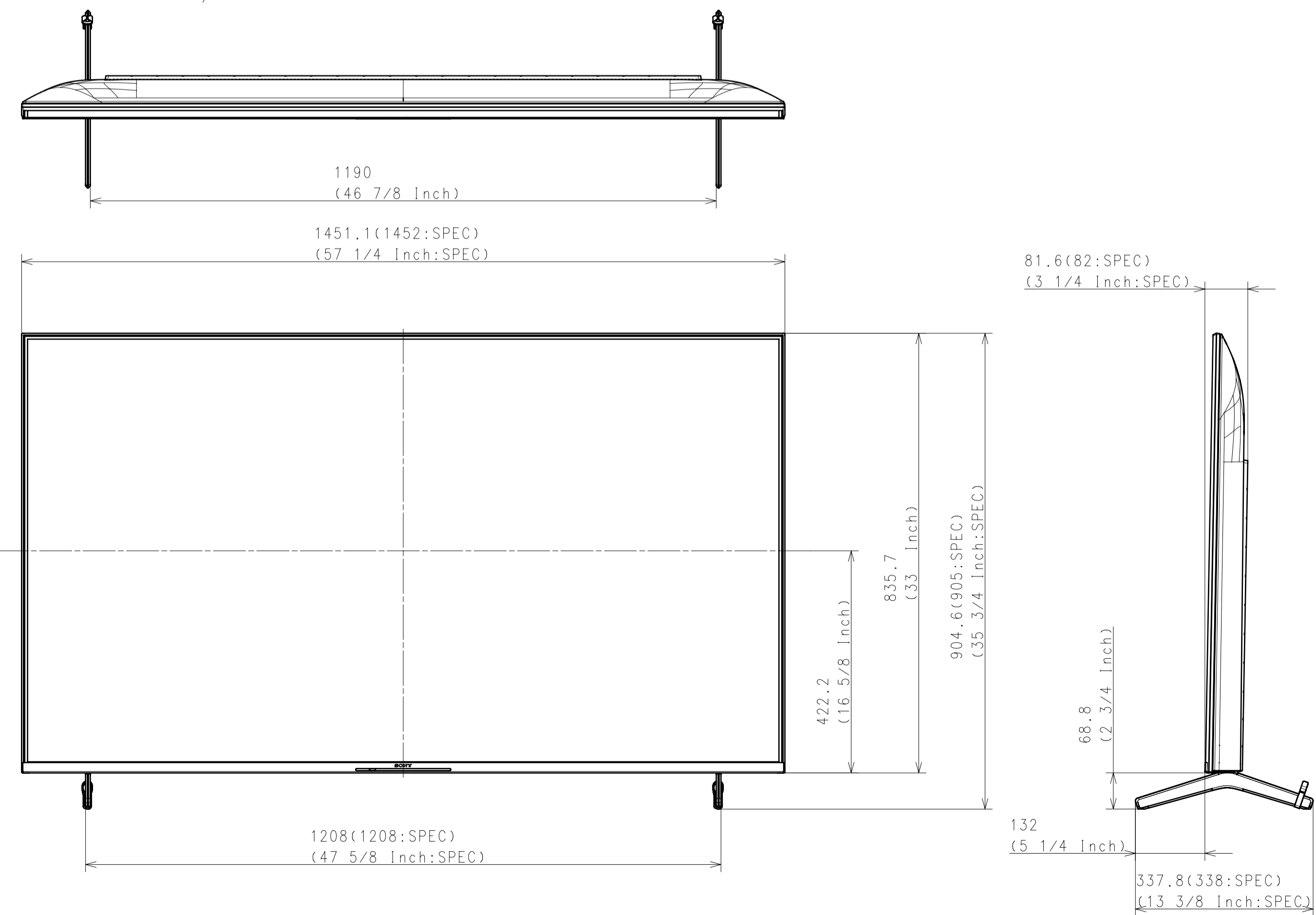
WITH STAND

NARROW POSITION
KD-65X85K
(EUROPE Model only)



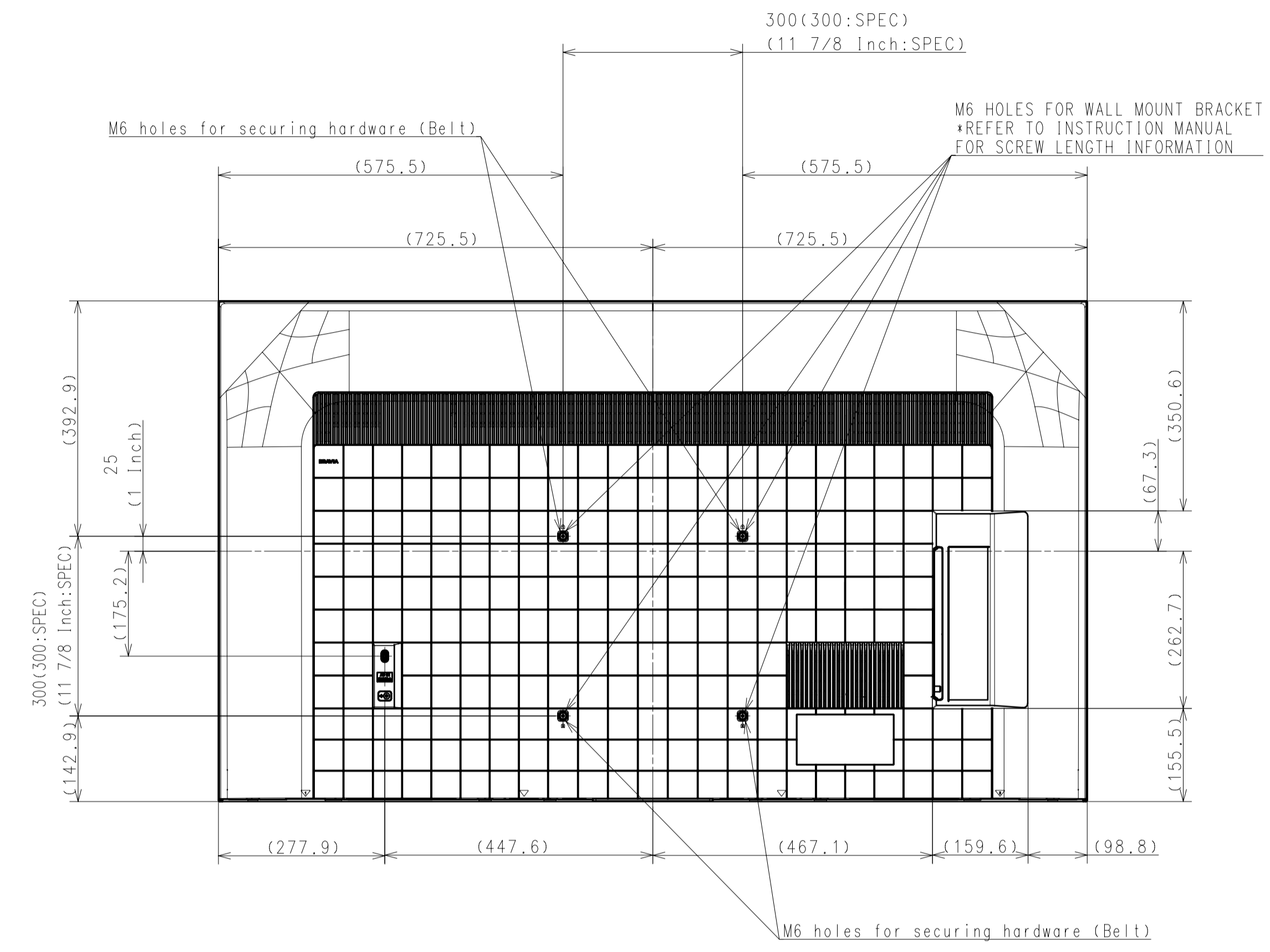
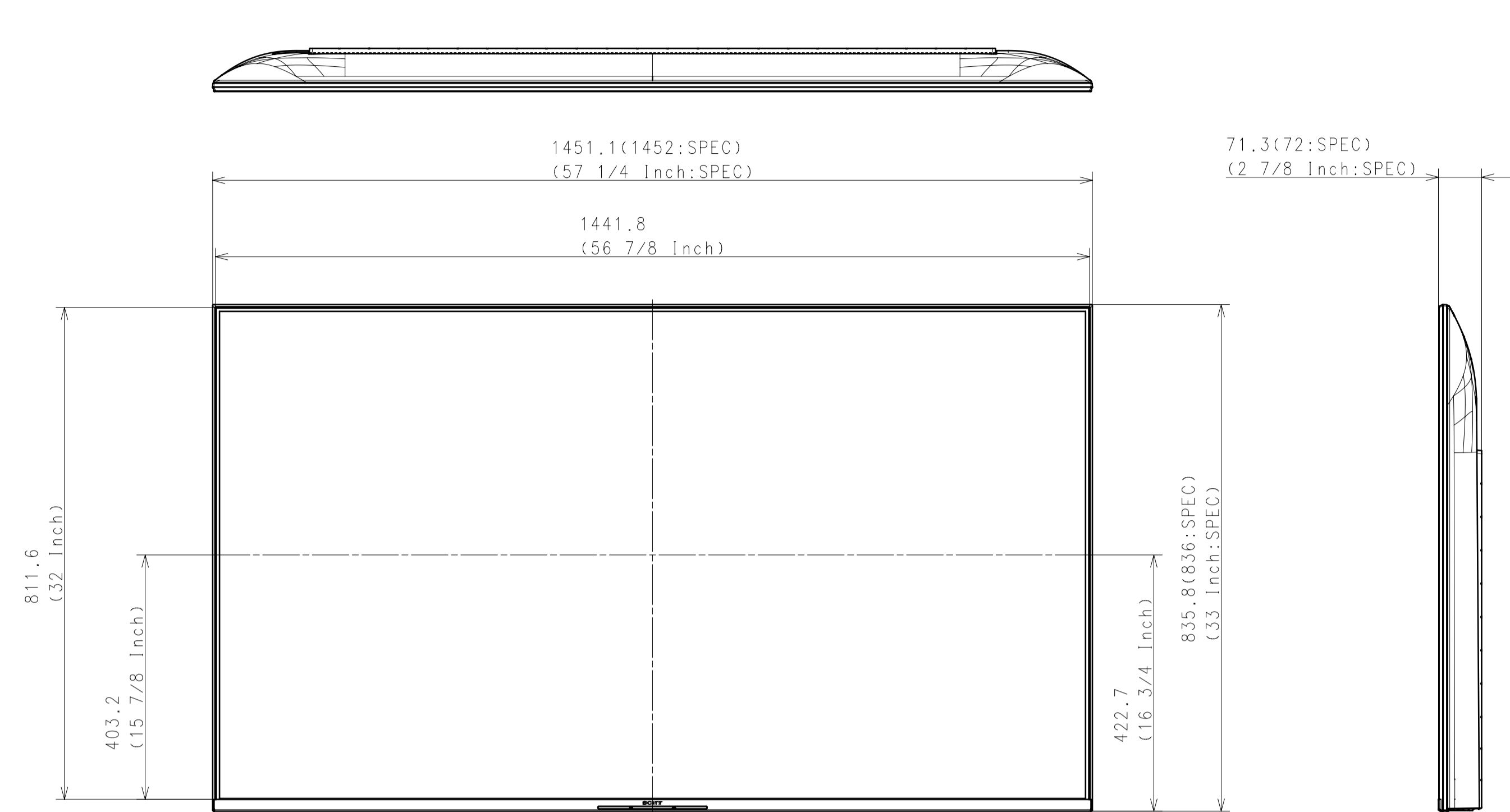
WITH STAND

MAIN STAND (APH)
STANDARD POSITION
KD-65X85K
NORTH AMERICA , LATIN AMERICA

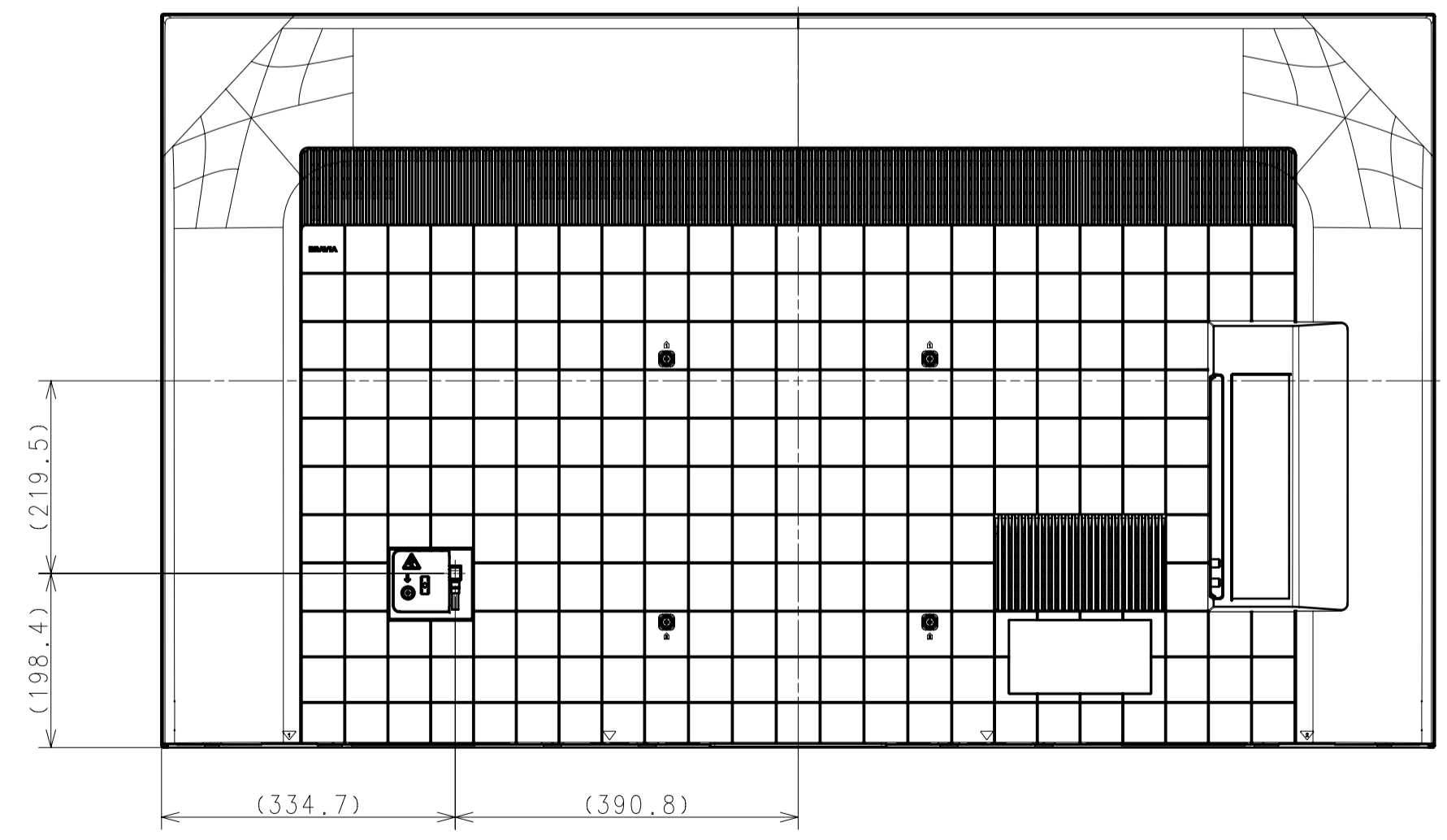


DESCRIPTION 1	LEGAL OWNER	SCALE
65 (X85K) EXTERIOR VIEW	Sony Corporation	1:7
DESCRIPTION 2	PART NO.	SHEET/PAGES
65 (X85K) EXTERIOR VIEW		2 / 5

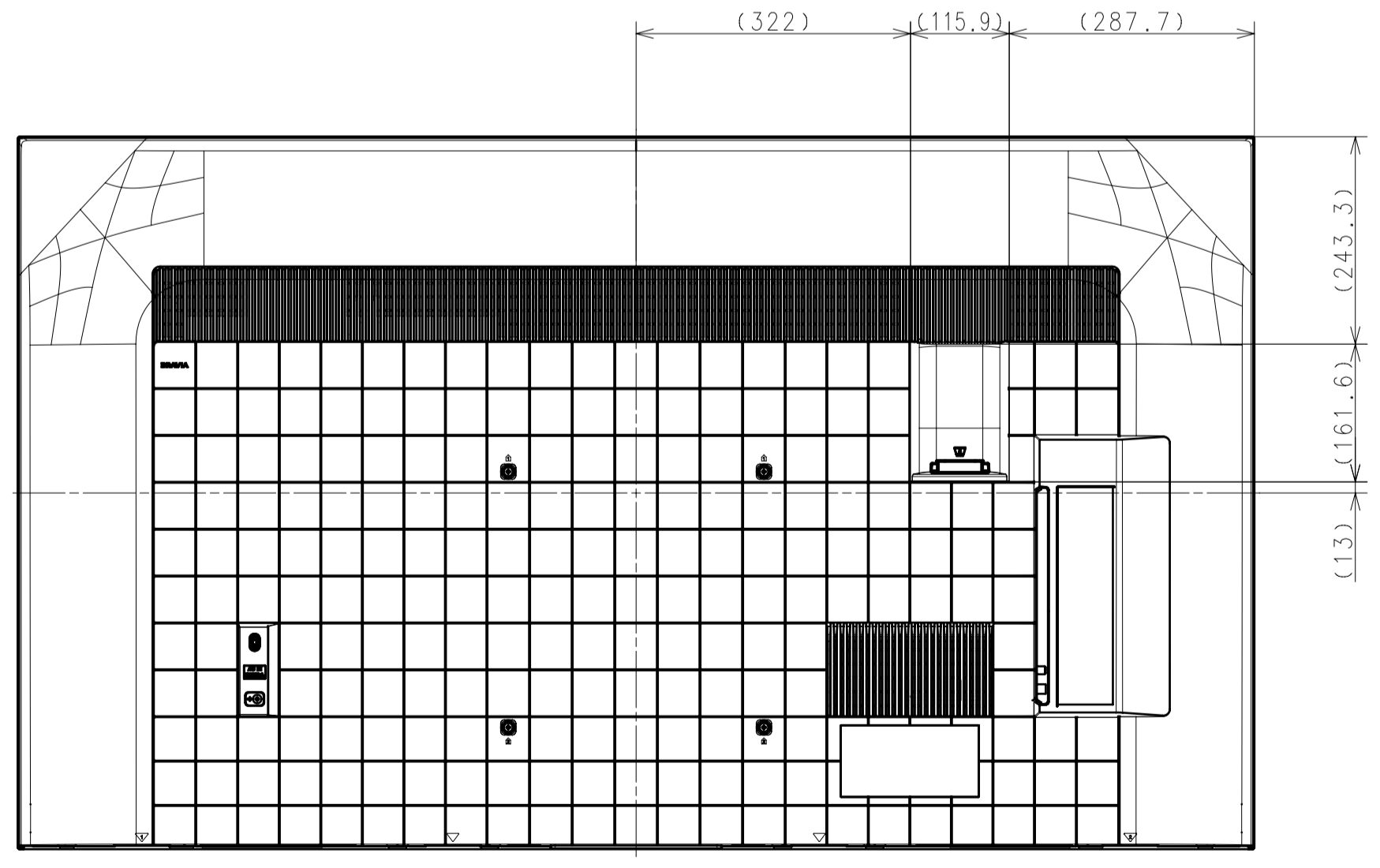
WITHOUT STAND



For .NORTH AMERICA, GENERAL AREA, CHINA



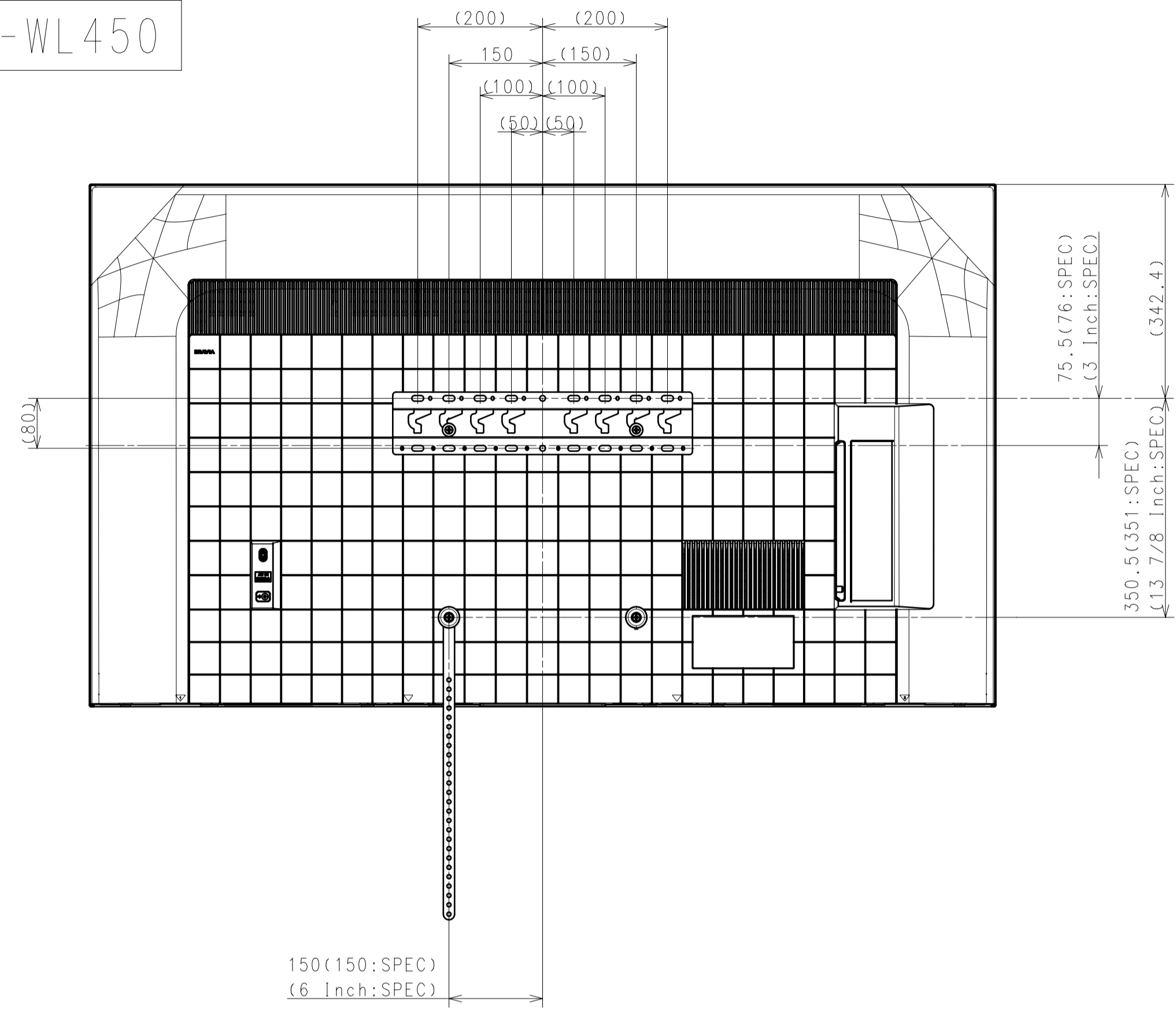
For .LATIN AMERICA



For .EUROPE

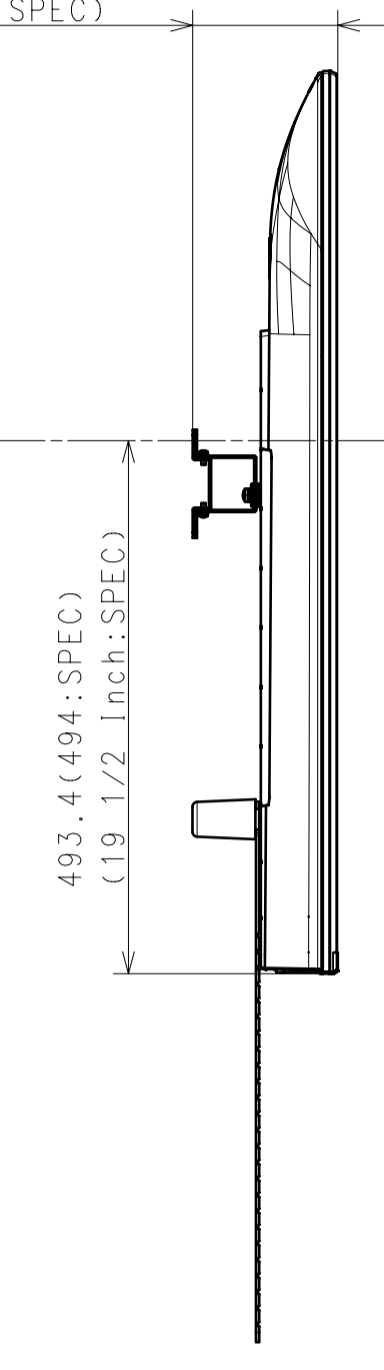
DESCRIPTION	LEGAL OWNER	SCALE
65 (X85K) EXTERIOR VIEW	Sony Corporation	1:7
DESCRIPTION	PART NO.	SHEET/PAGES
65 (X85K) EXTERIOR VIEW		3 / 5

SU-WL450



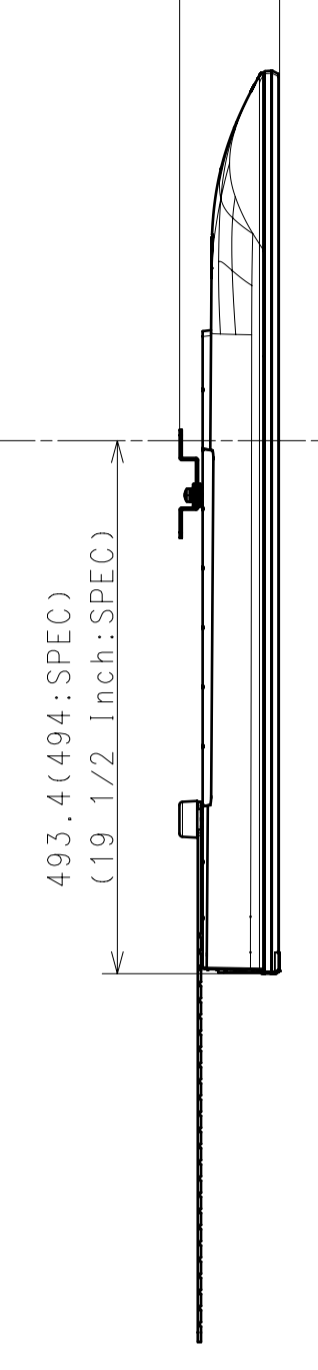
STANDARD

134.4 (135:SPEC)
(5 3/8 Inch:SPEC)



SLIM

92.6 (93:SPEC)
(3 3/4 Inch:SPEC)

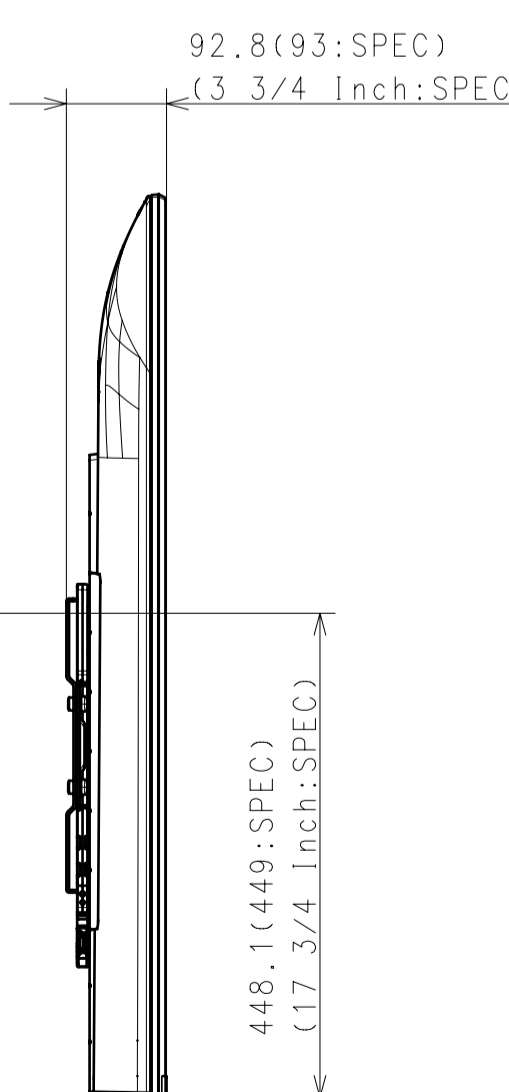
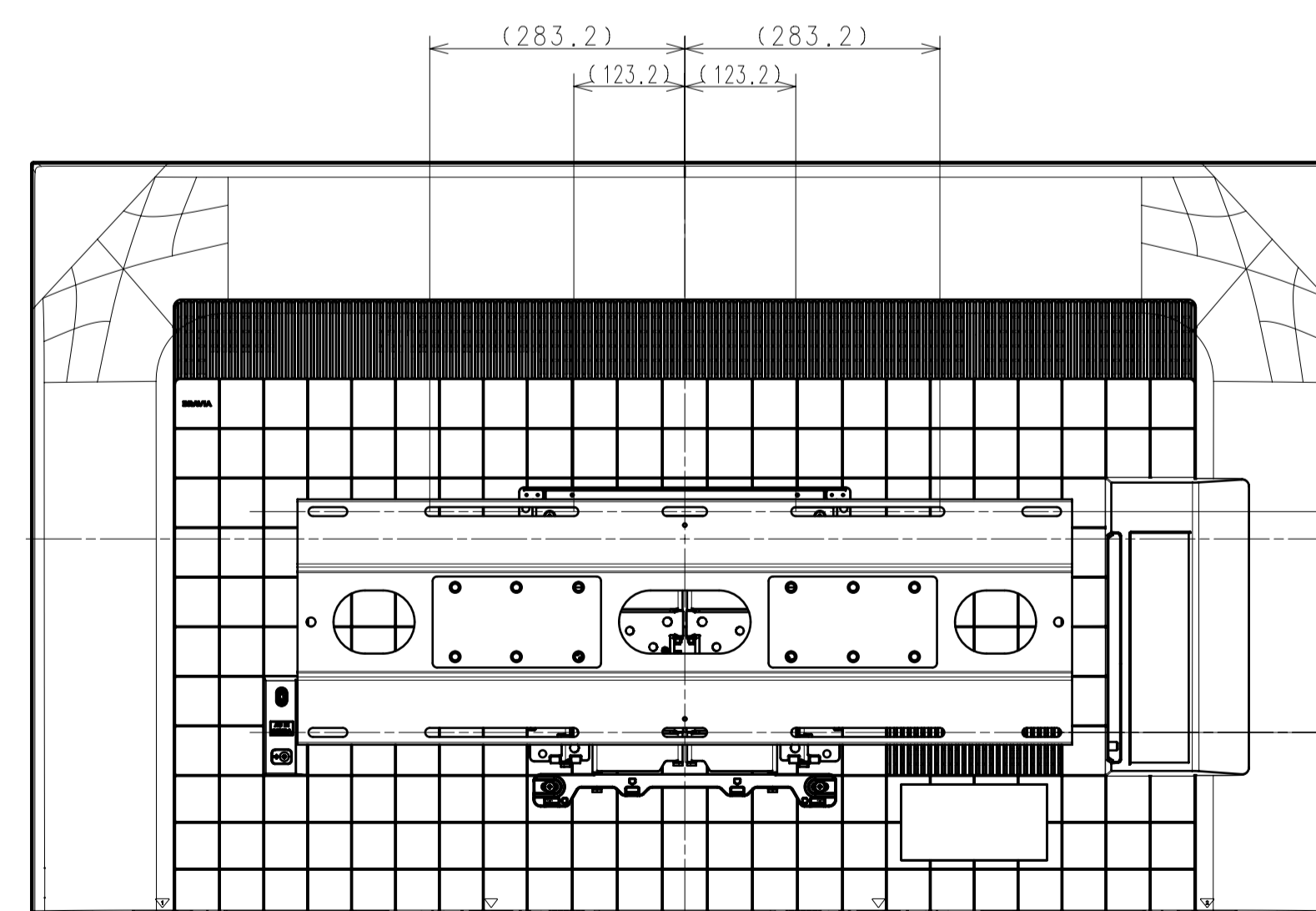
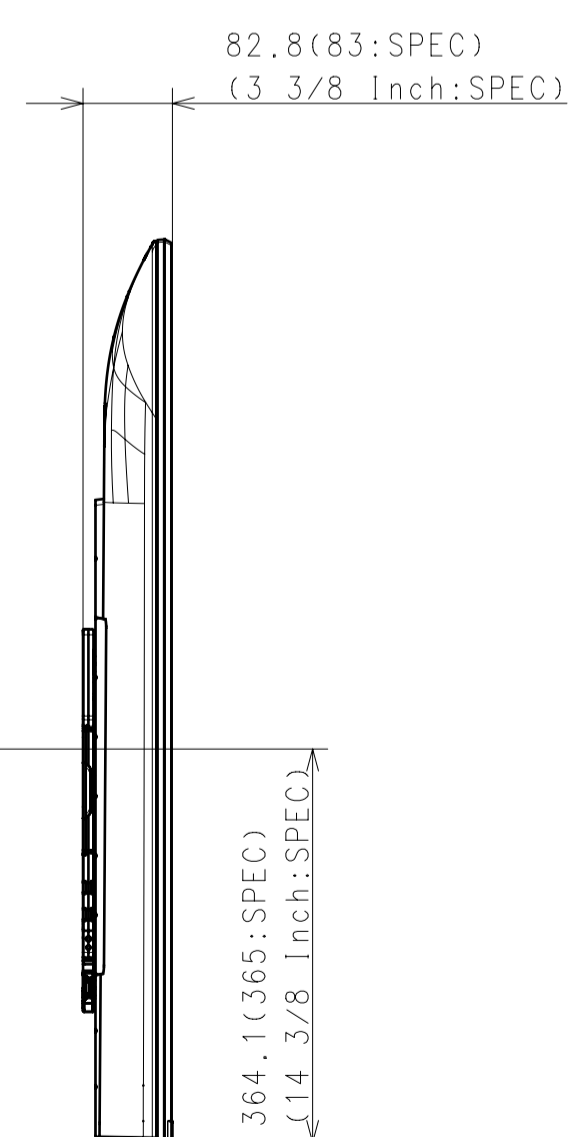
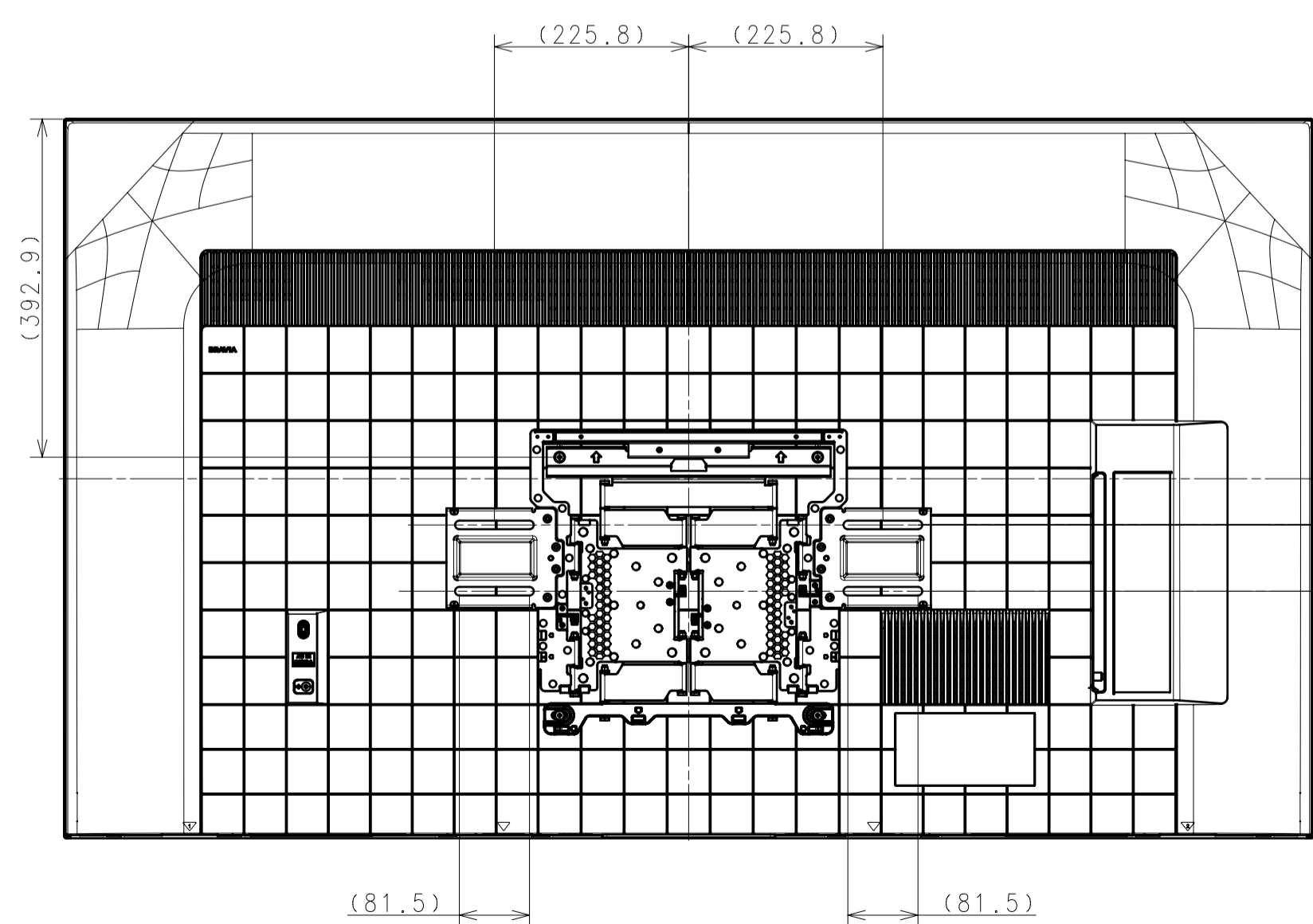
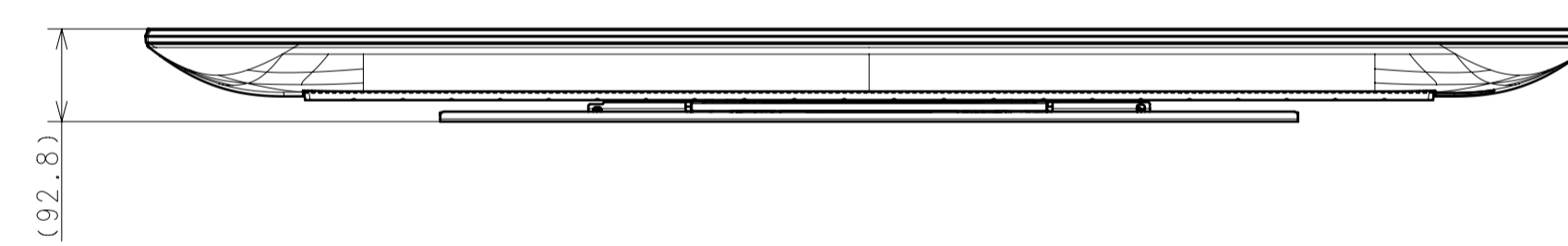
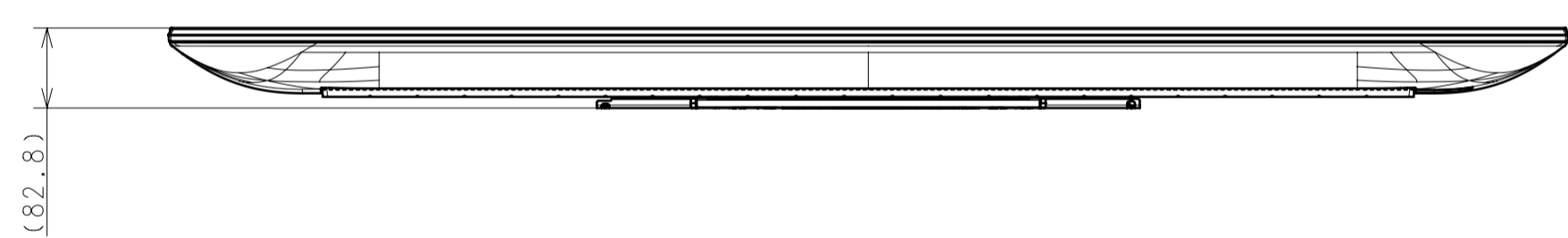
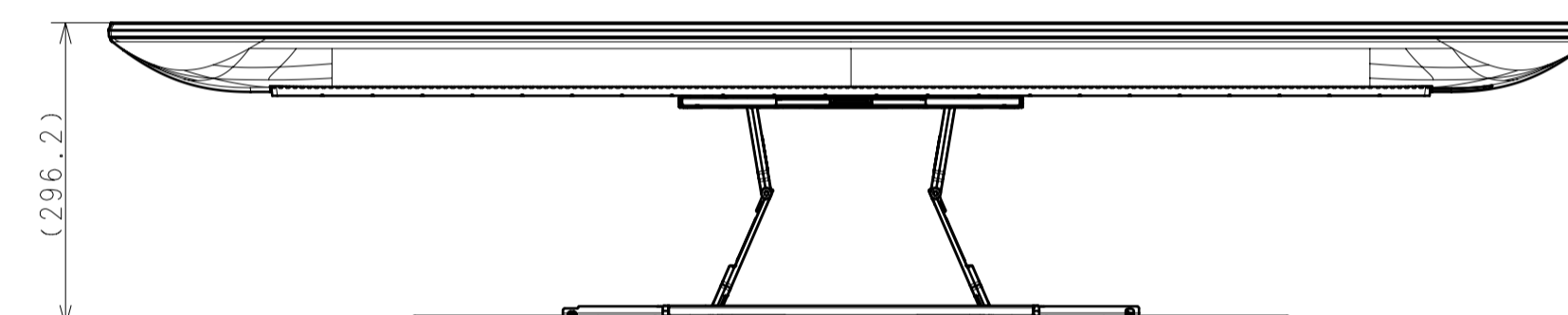
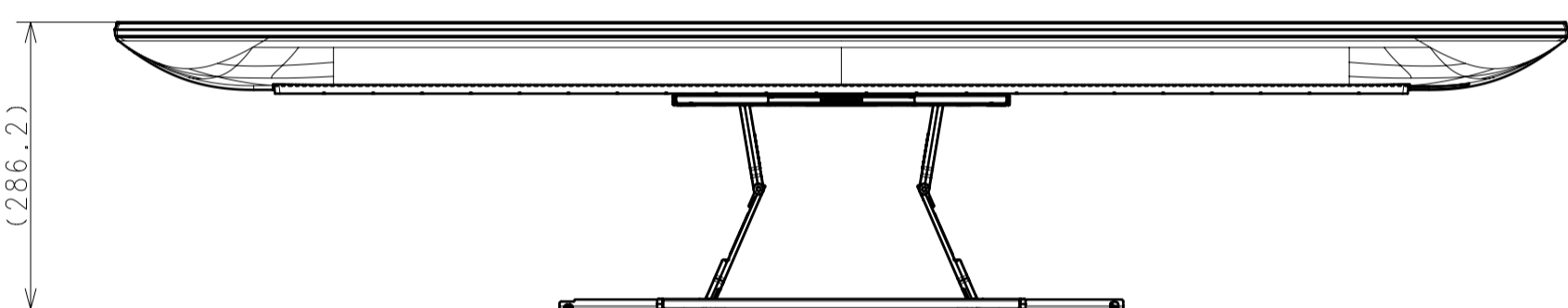
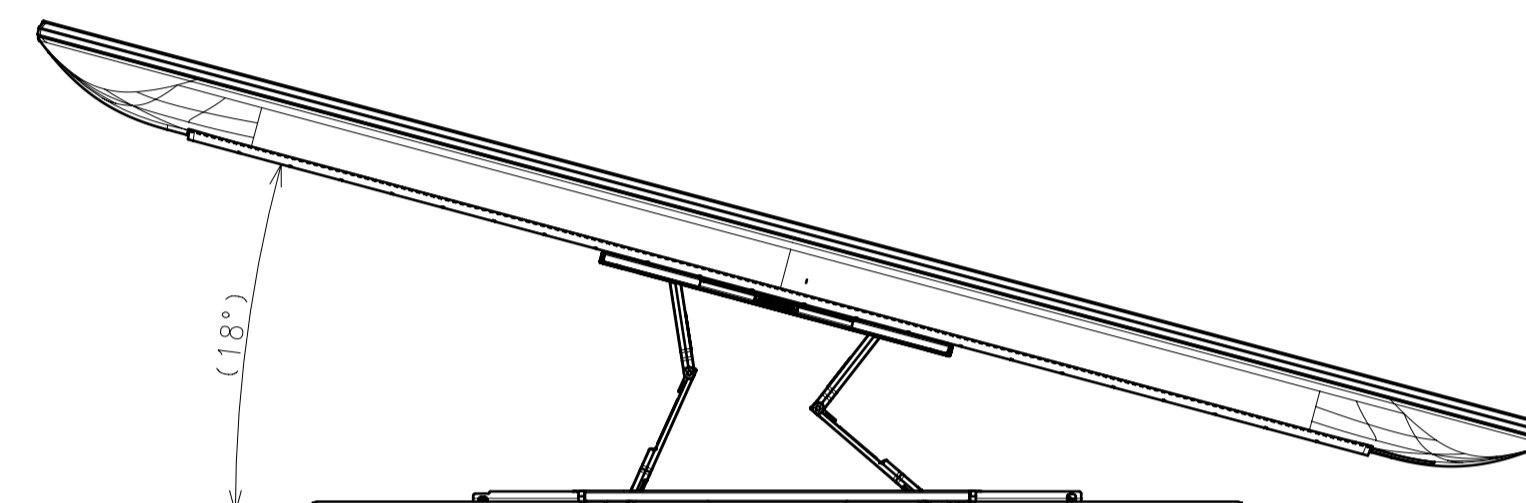
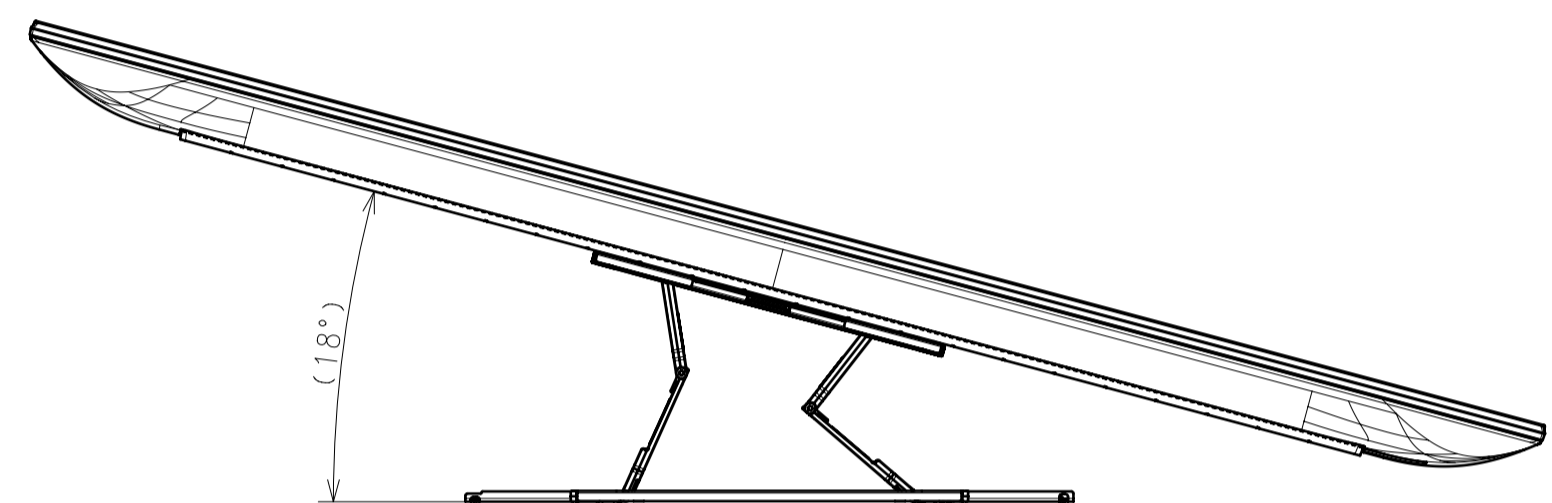
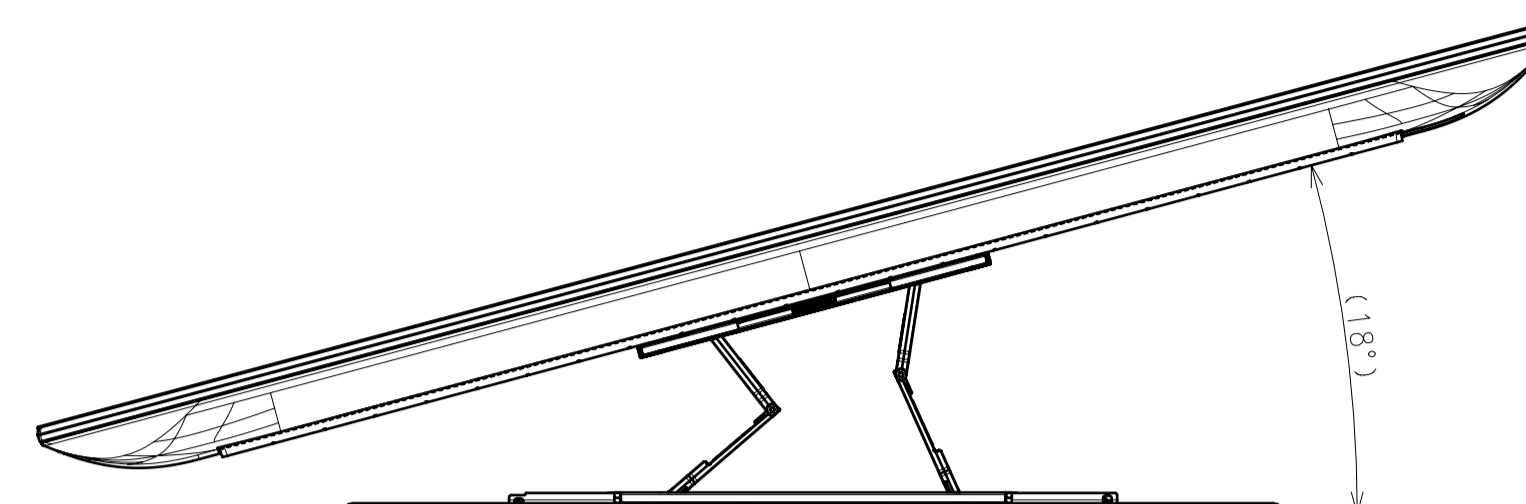
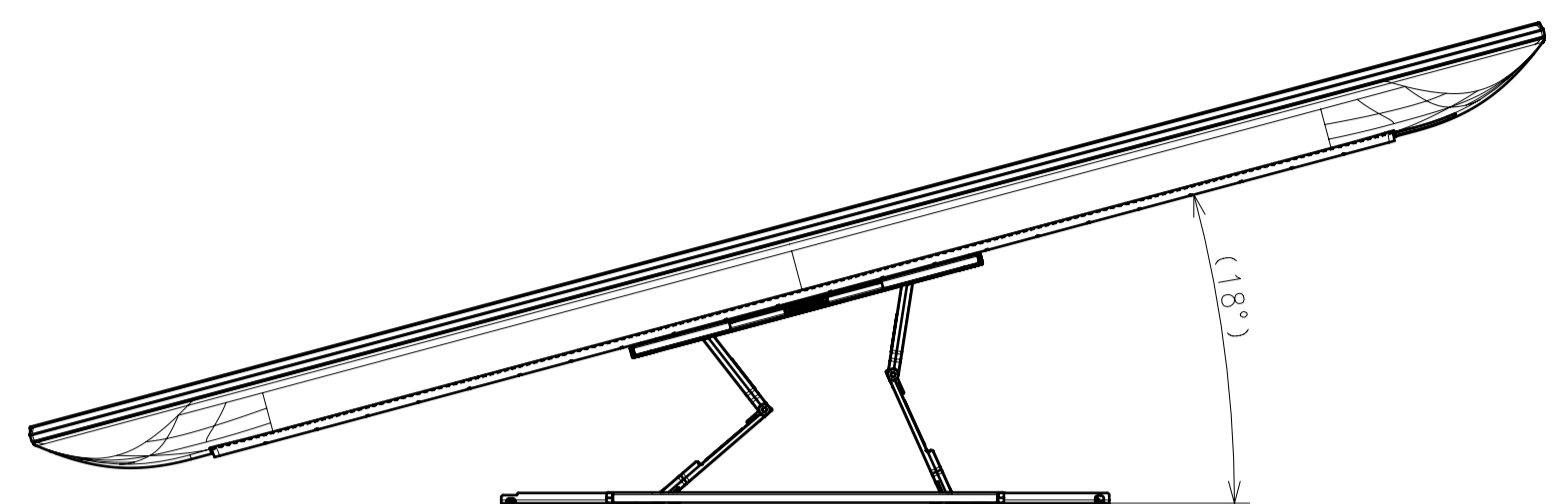


SONY STANDARD
DRAWING

DESCRIPTION	LEGAL OWNER	SCALE
65 (X85K) EXTERIOR VIEW	Sony Corporation	1:7
DESCRIPTION	PART NO.	SHEET/PAGES
65 (X85K) EXTERIOR VIEW		4 / 5

WL850

WL855 WITH LATERAL SHAFT BRACKET



DESCRIPTION 1	65 (X85K) EXTERIOR VIEW	LEGAL OWNER	Sony Corporation	SCALE	1:7
DESCRIPTION 2	65 (X85K) EXTERIOR VIEW	PART NO.		SHEET/PAGES	5 / 5