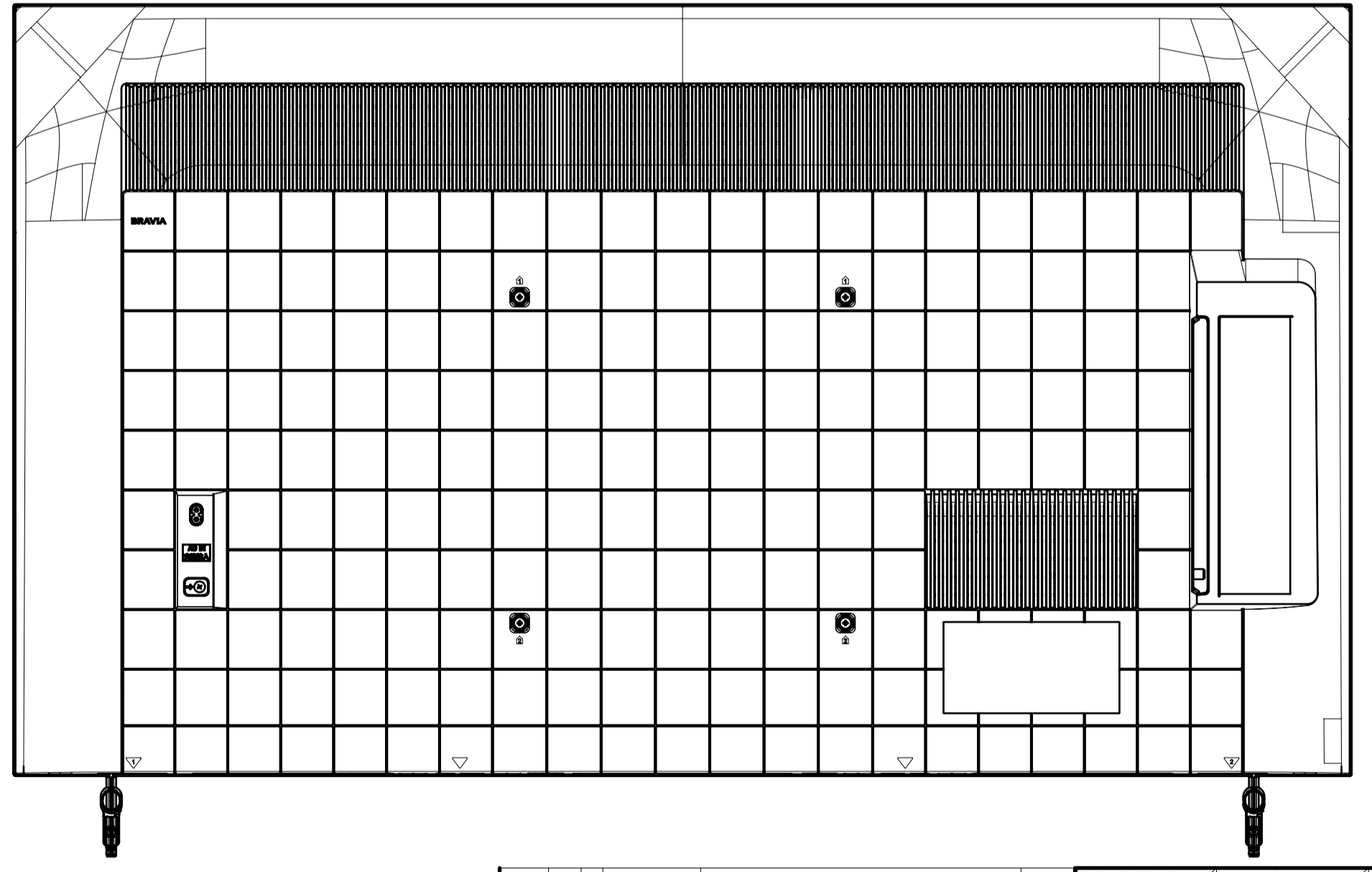
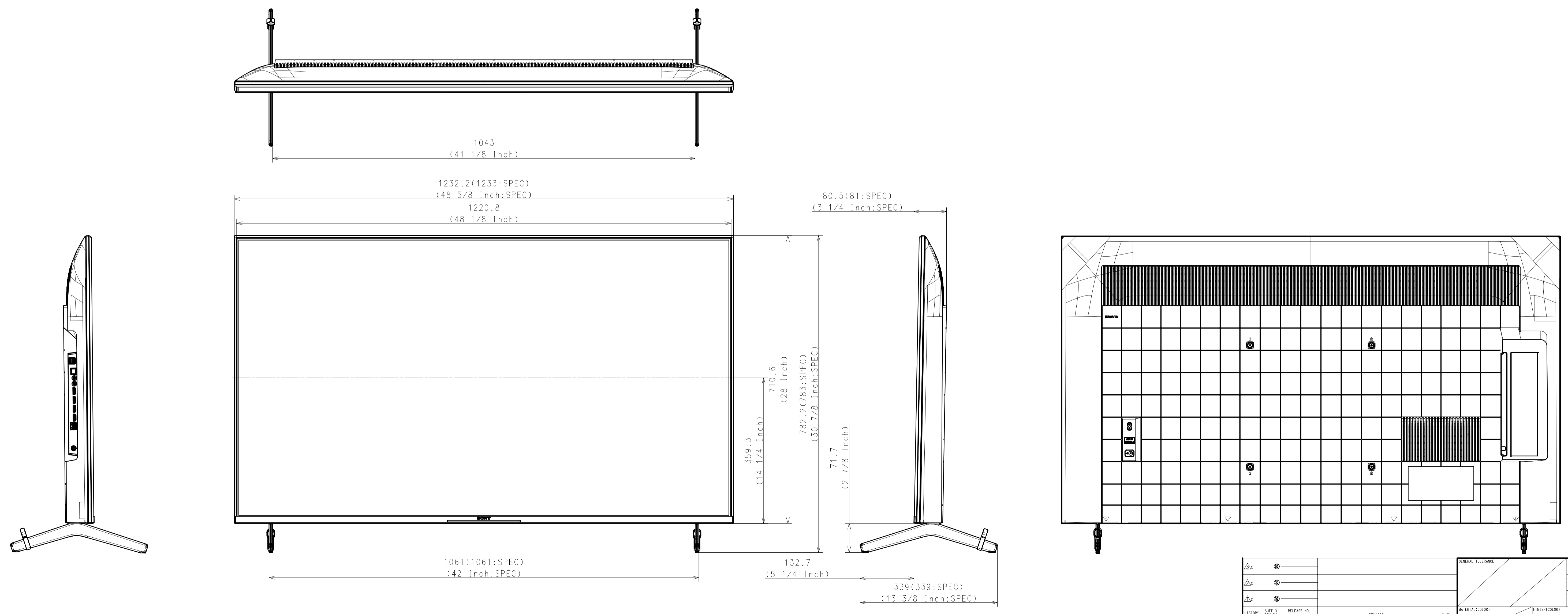


Area		JAPAN	NORTH AMERICA	LATIN AMERICA	EUROPE	EUROPE 2	GENERAL AREA	CHINA
Model Name		KJ-55X85K	KD-55X85K	KD-55X85K	KD-55X85K	KD-55X85TK	KD-55X85K	KD-55X85K
SV No.		SV-40369	SV-40219	SV-40238	SV-40336	SV-40335	SV-40272	SV-40303
DIMENSION	TV only (W x H x D)	123.3 x 71.1 x 7.2 cm	1233 x 711 x 72 mm / 48 5/8 x 28 x 2 7/8 inch	1233 x 711 x 72 mm	Approx. 123.3 x 71.1 x 7.2 cm	Approx. 123.3 x 71.1 x 7.2 cm	Approx. 1233 x 711 x 72 mm	Approx. 1233 x 711 x 72 mm
	TV only with camera (WxHxD)	-	-	-	-	-	-	-
	TV with Stand (Standard position) (W x H x D)	123.3 x 78.3 x 33.9 cm	1233 x 782 x 338 mm / 48 5/8 x 30 7/8 x 13 3/8 inch	1233 x 782 x 338 mm	Approx. 123.3 x 78.3 x 33.9 cm	Approx. 123.3 x 78.3 x 33.9 cm	Approx. 1233 x 783 x 339 mm	Approx. 1233 x 783 x 339 mm
	TV with Stand (Narrow position) (W x H x D)	-	-	-	Approx. 123.3 x 78.3 x 33.9 cm	-	-	-
	TV with Stand (Soundbar position) (W x H x D)	-	-	-	-	-	-	-
	TV with Stand (Front position style) (W x H x D)	-	-	-	-	-	-	-
	TV with Stand (Back position style) (W x H x D)	-	-	-	-	-	-	-
	TV with Floor Stand (W x H x D)	-	-	-	-	-	-	-
	Stand Width (Standard position)	106.1 cm	1061 mm / 41 7/8 inch	1061 mm	Approx. 106.1 cm	Approx. 106.1 cm	Approx. 1061 mm	Approx. 1061 mm
	Stand Width (Narrow position)	-	-	-	Approx. 45.8 cm	-	-	-
	Stand Width (Soundbar position)	-	-	-	-	-	-	-
	Stand Width (Front position style)	-	-	-	-	-	-	-
Stand Width (Back position style)	-	-	-	-	-	-	-	
Floor Stand Width	-	-	-	-	-	-	-	
VESA Hole Pitch	30.0 x 30.0 cm	300 x 300 mm / 11 7/8 x 11 7/8 inch	300 x 300 mm	30.0 x 30.0 cm	30.0 x 30.0 cm	30.0 x 30.0 cm	300 x 300 mm	300 x 300 mm
WEIGHT	TV Only	17.1 kg	17.1 kg / 37.7 lb	17.1 kg	Approx. 17.1 kg	Approx. 17.1 kg	Approx. 17.1 kg	Approx. 17.1 kg
	TV with Stand (Standard position)	18.1 kg	18.1 kg / 39.9 lb	18.1 kg	Approx. 18.1 kg	Approx. 18.1 kg	Approx. 18.1 kg	Approx. 18.1 kg
	TV with Stand (Narrow position)	-	-	-	-	-	-	-
	TV with Stand (Soundbar position)	-	-	-	Approx. 18.1 kg	-	-	-
	TV with Stand (Front/Back position style)	-	-	-	-	-	-	-
	TV with Floor Stand	-	-	-	-	-	-	-
	Floor Stand weight (Supply)	-	-	-	-	-	-	-
W-M't Br. Weight (Supply)	-	-	-	-	-	-	-	
Remarks			Main Stand(APH)	Main Stand(APH)	2way			

WITH STAND

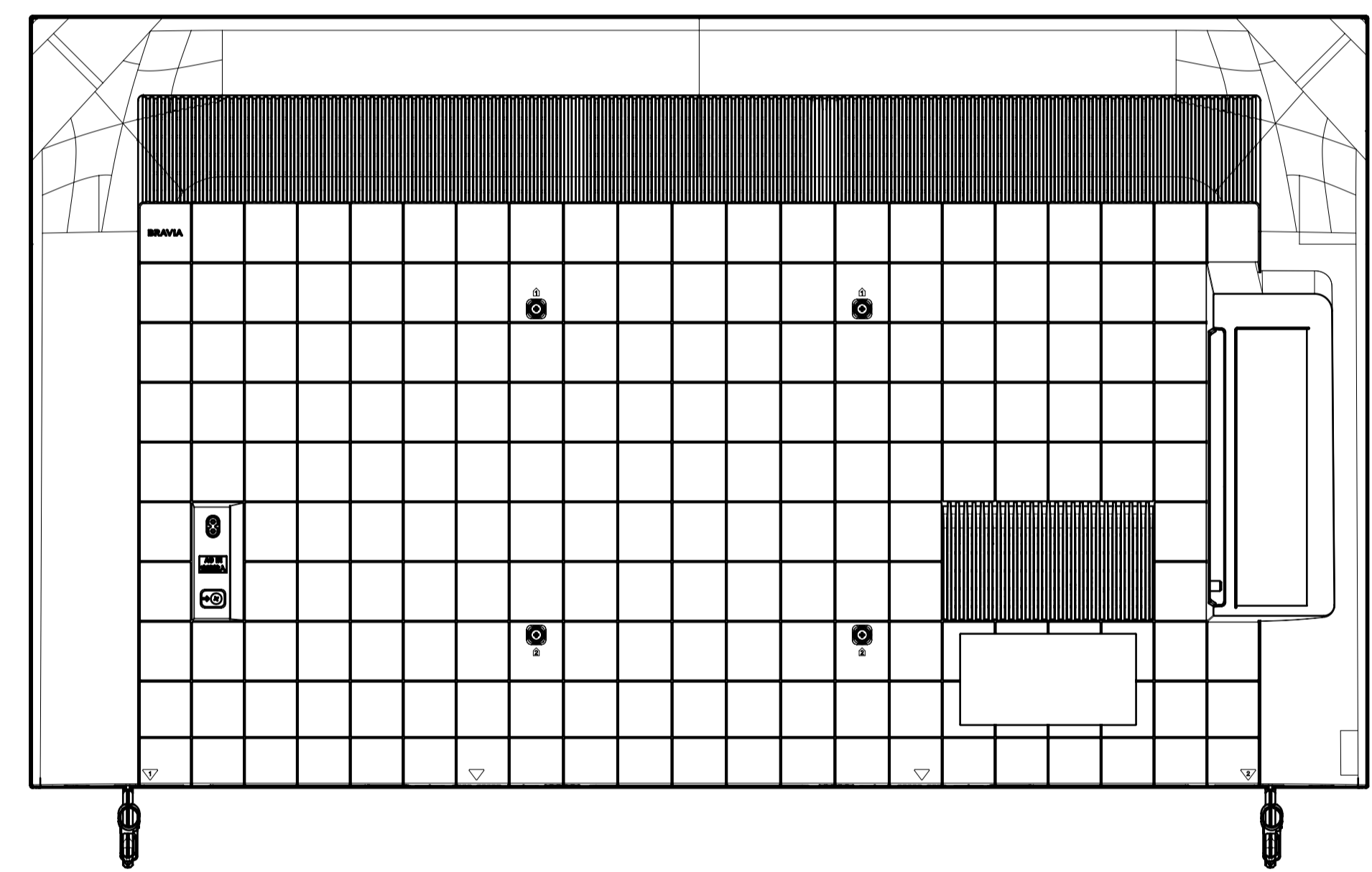
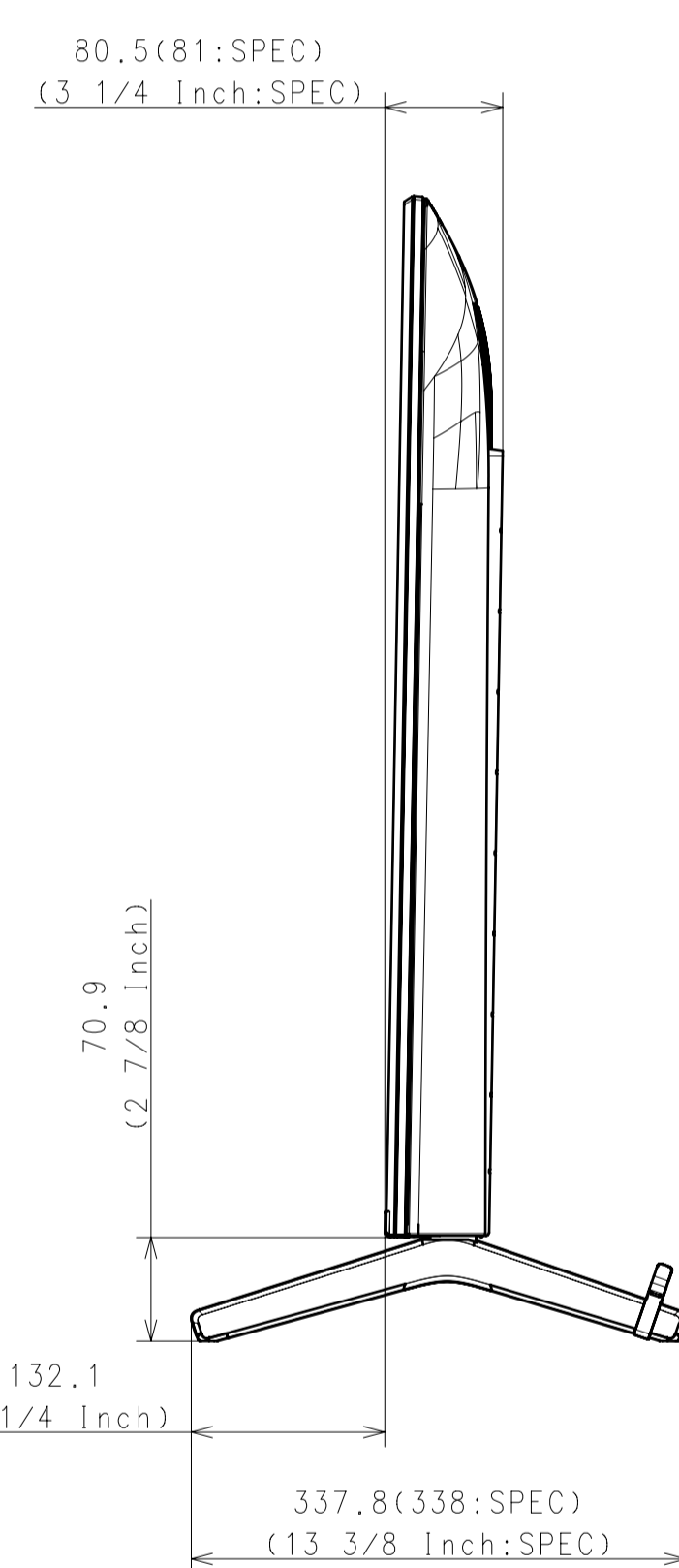
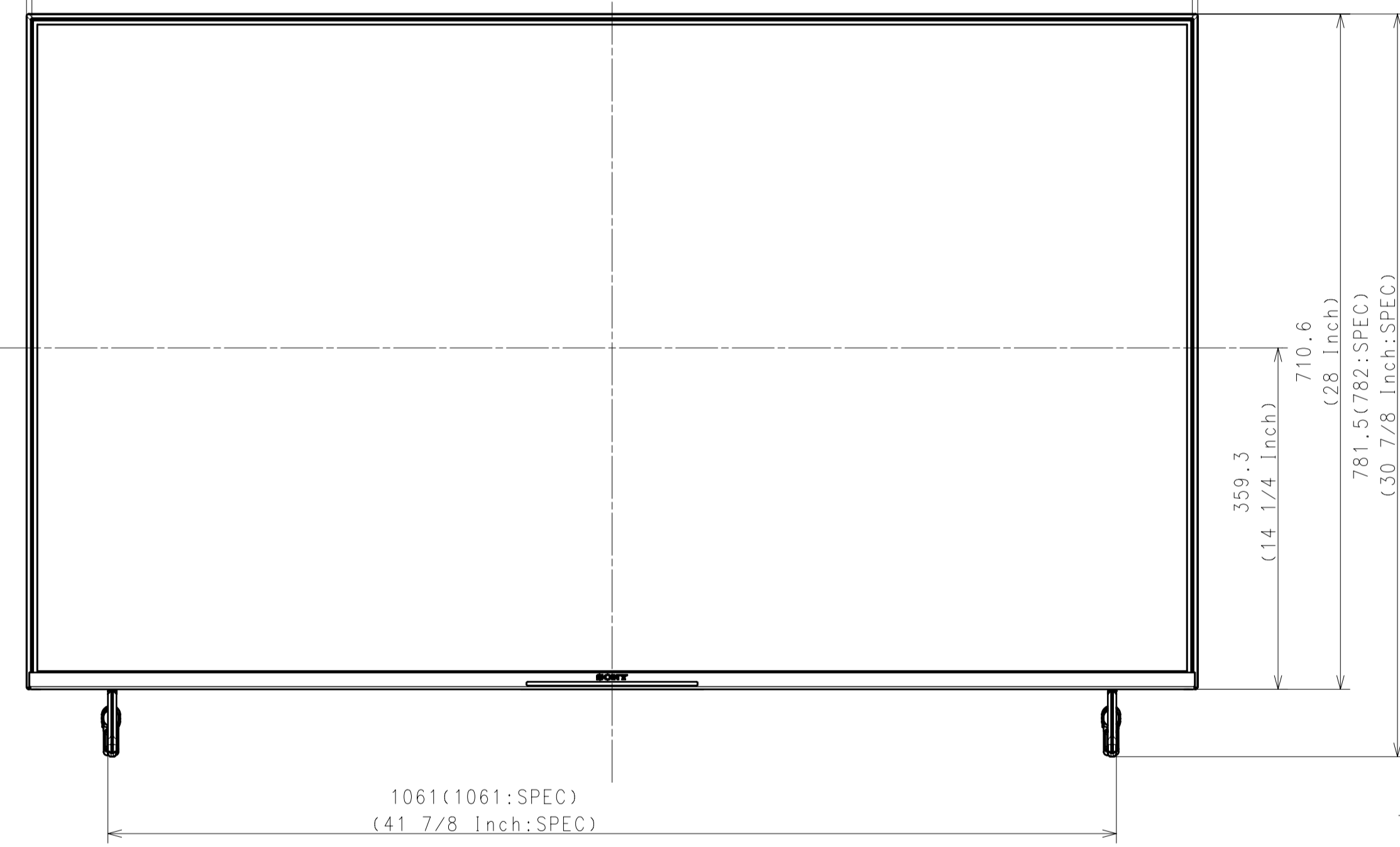
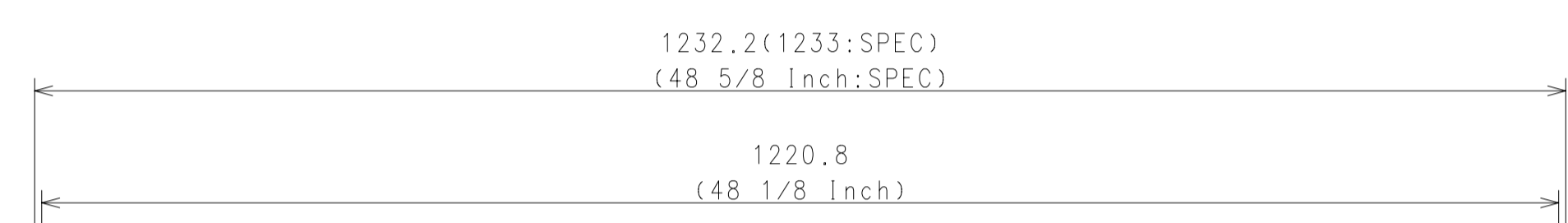
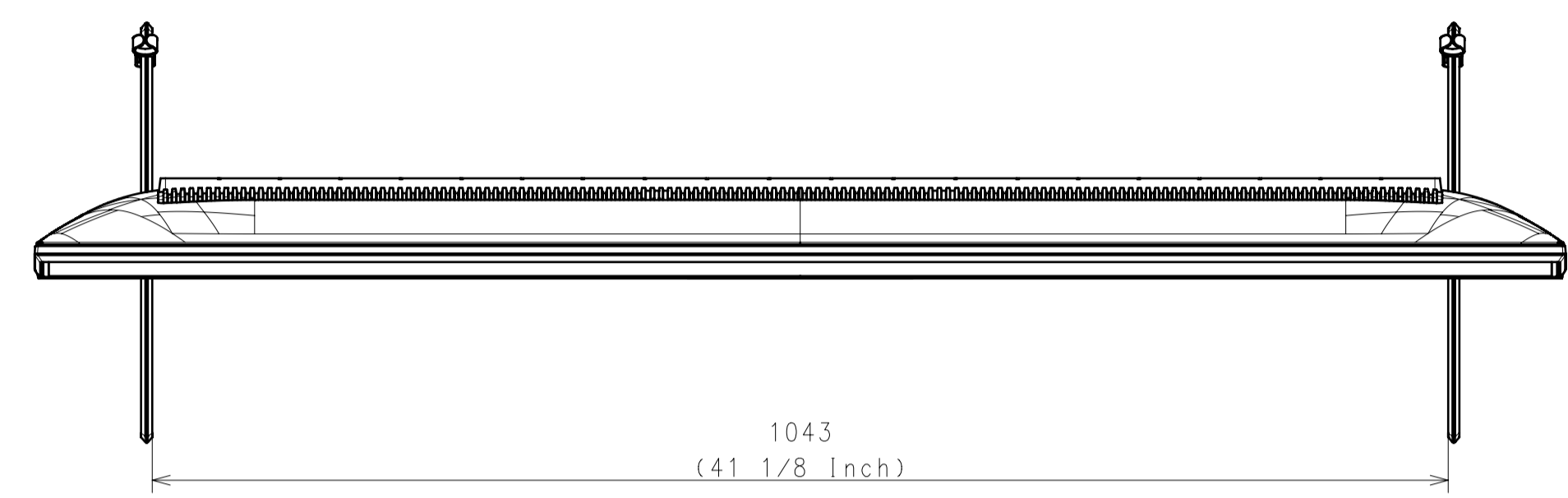
MAIN STAND (STANDARD POSITION)
Except KD-55X85K (NORTH AMERICA, LATIN AMERICA)



RESPONSIBLE DEPARTMENT	PLANNING & MECHANICAL DESIGN	ORIGINAL MODEL	55 (X85K) EXTERIOR VIEW
PLANNED BY	2021.12.10	DESIGNER(S)	55 (X85K) EXTERIOR VIEW
DESIGNED BY	2021.12.10	APPROVED BY	
SCALE	1:5	TENTATIVE MODEL	
SIZE	A1	UNIT	mm
SHEET/PAGES	1/6	SUFFIX	

WITH STAND

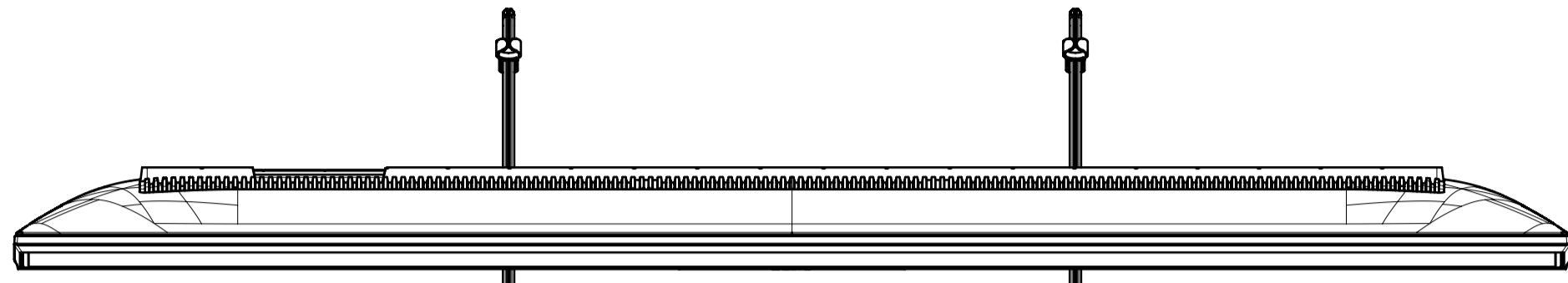
MAIN STAND (APH)
STANDARD POSITION
KD-55X85K (NORTH AMERICA, LATIN AMERICA)



DESCRIPTION 1	LEGAL OWNER	SCALE
55 (X85K) EXTERIOR VIEW	Sony Corporation	1:5
DESCRIPTION 2	PART NO.	SHEET/PAGES
55 (X85K) EXTERIOR VIEW		2 / 6

WITH STAND

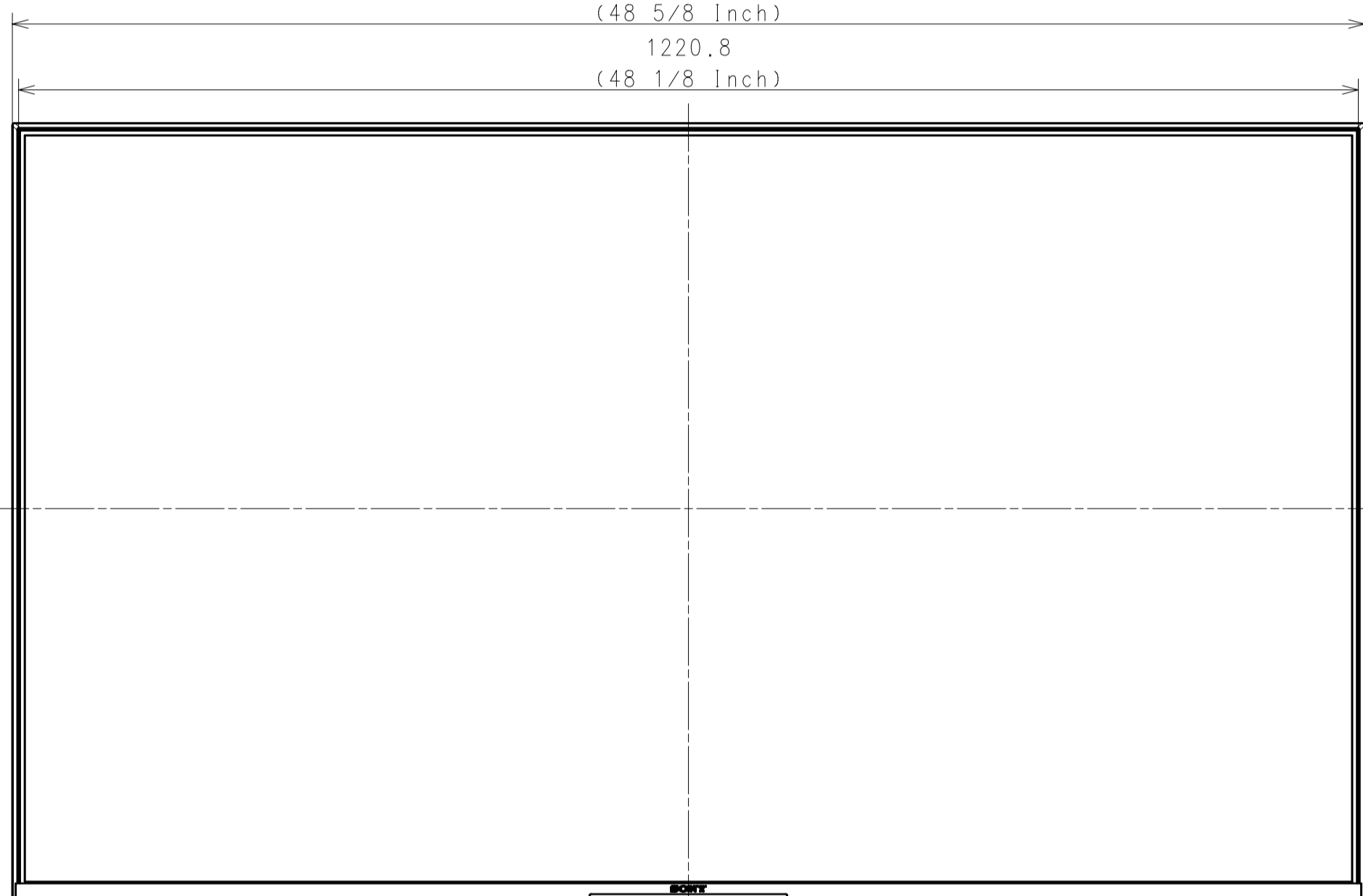
NARROW POSITION
XR-55X85K (EUROPE Only)



440
(17 3/8 Inch)

1232.2(1233:SPEC)
(48 5/8 Inch)

1220.8
(48 1/8 Inch)



359.3
(14 1/4 Inch)

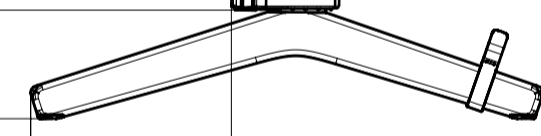
710.6
(28 Inch)

782.2(783:SPEC)
(30 7/8 Inch)

80.5(81:SPEC)
(3 1/4 Inch:SPEC)

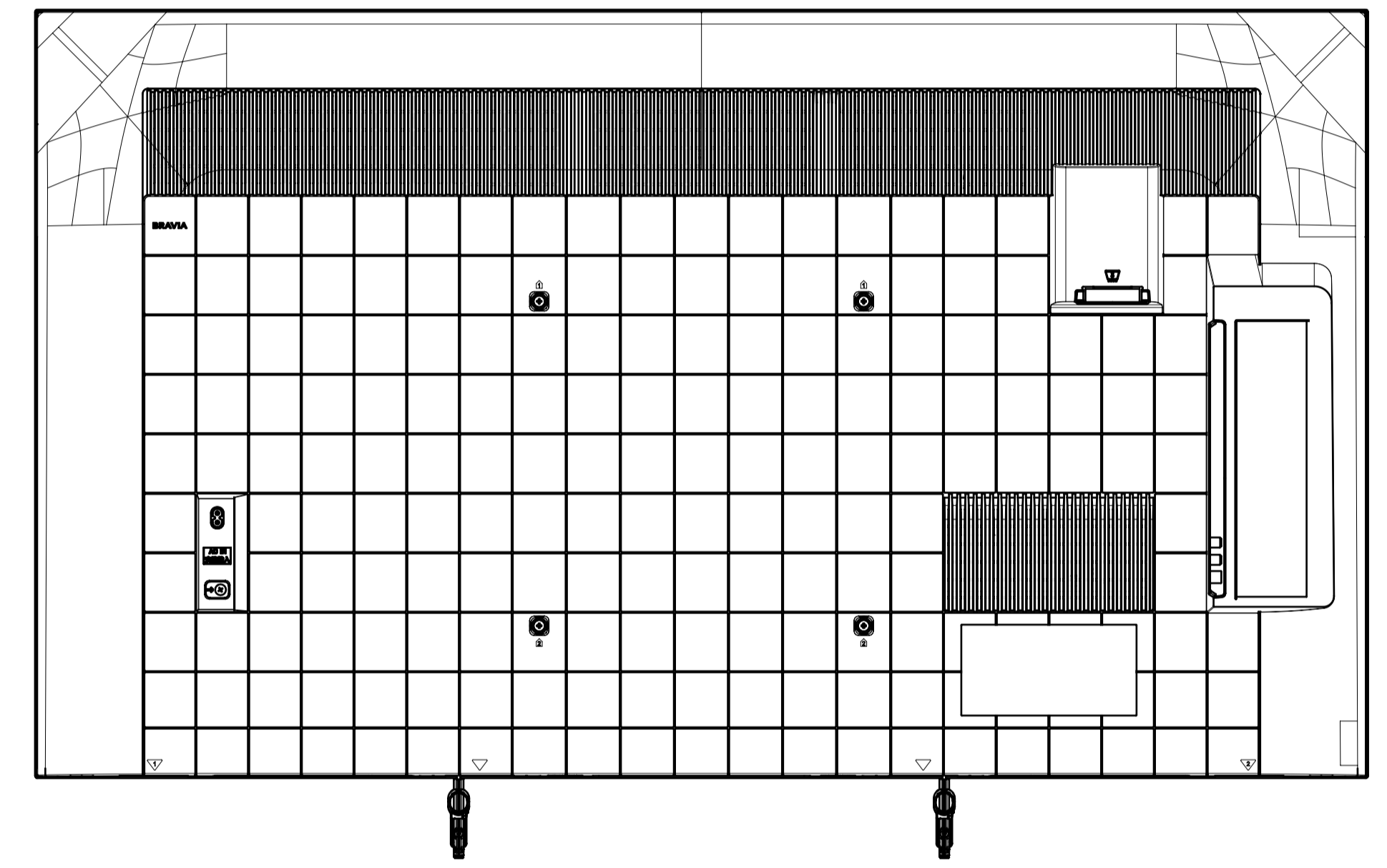
71.8
(2 7/8 Inch)

132.7
(5 1/4 Inch)



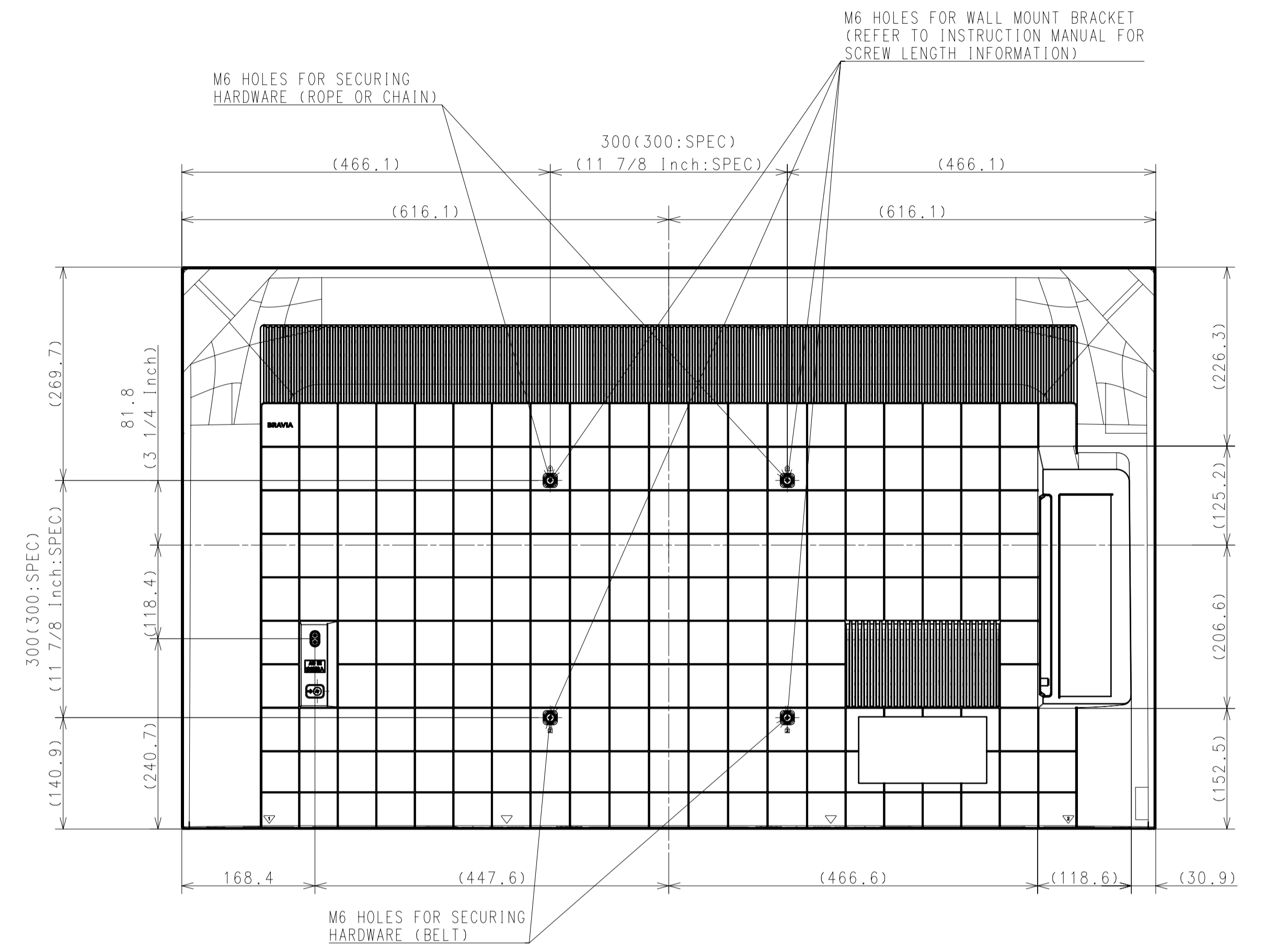
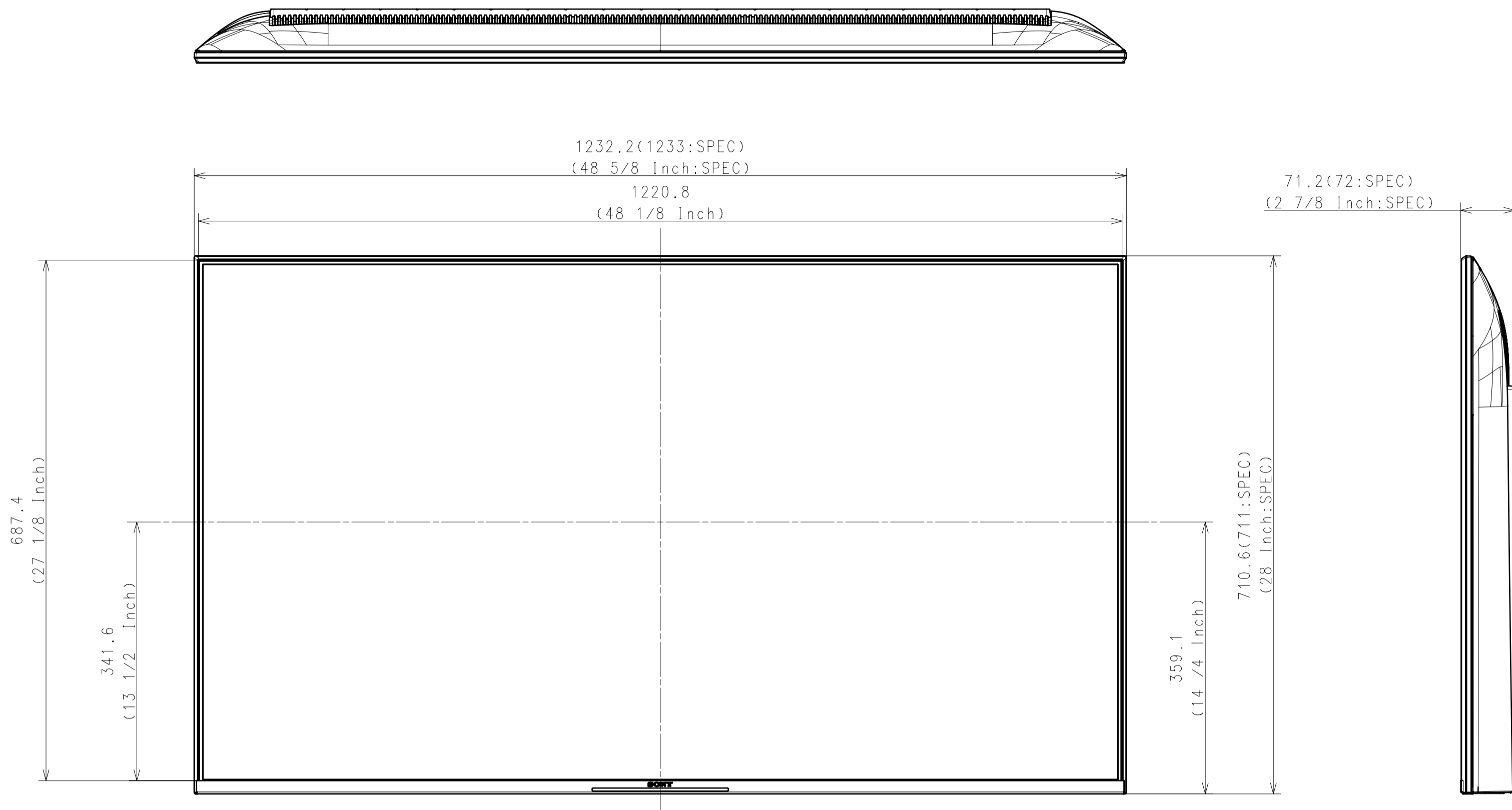
339(339:SPEC)
(13 3/8 Inch:SPEC)

458(458:SPEC)
(18 1/8 Inch:SPEC)

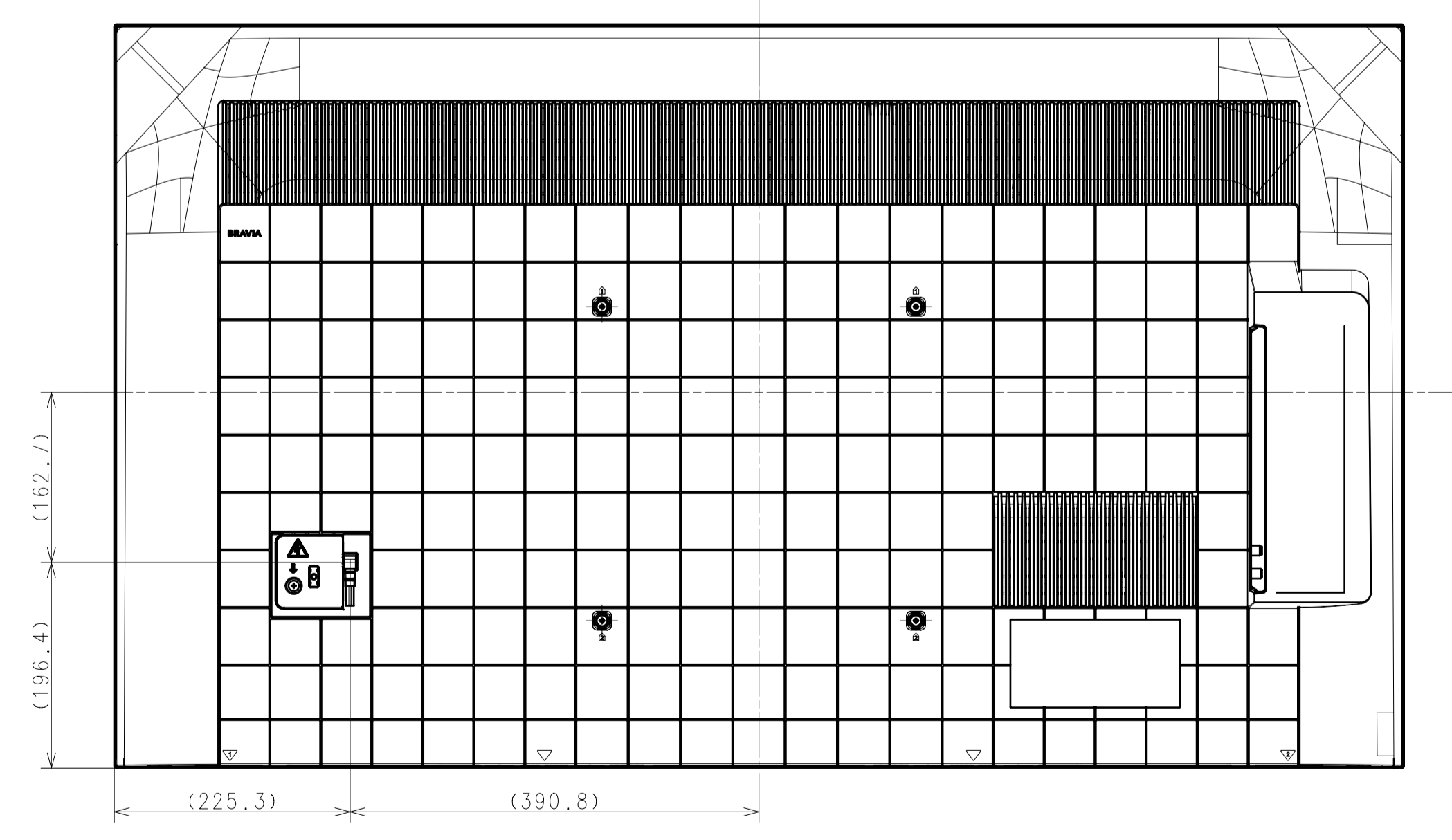


DESCRIPTION	LEGAL OWNER	SCALE
55 (X85K) EXTERIOR VIEW	Sony Corporation	1:5
DESCRIPTION	PART NO.	SHEET/PAGES
55 (X85K) EXTERIOR VIEW		3/ 6

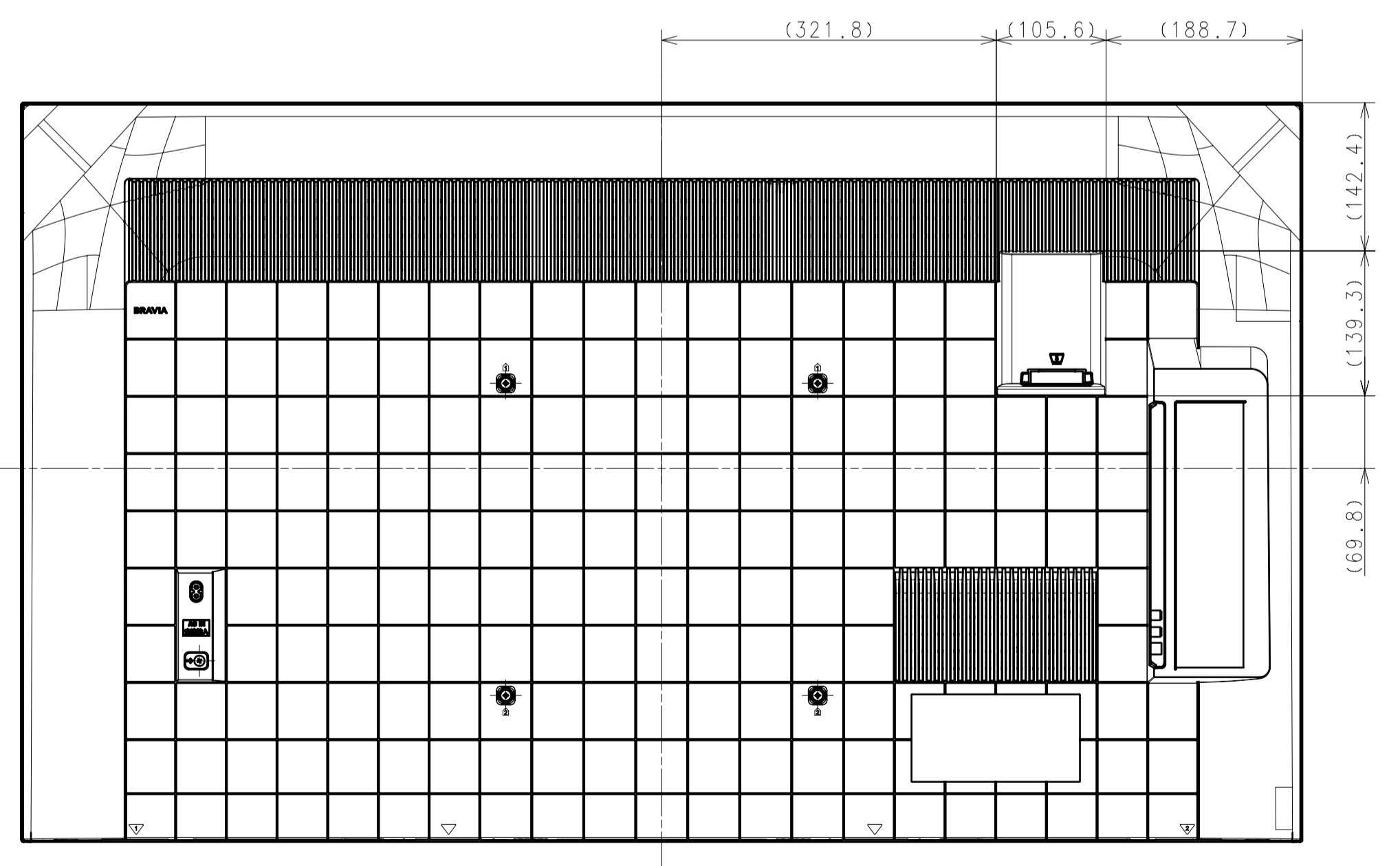
WITHOUT STAND



For GENERAL AREA, NORTH AMERICA, CHINA



For JAPAN, LATIN AMERICA



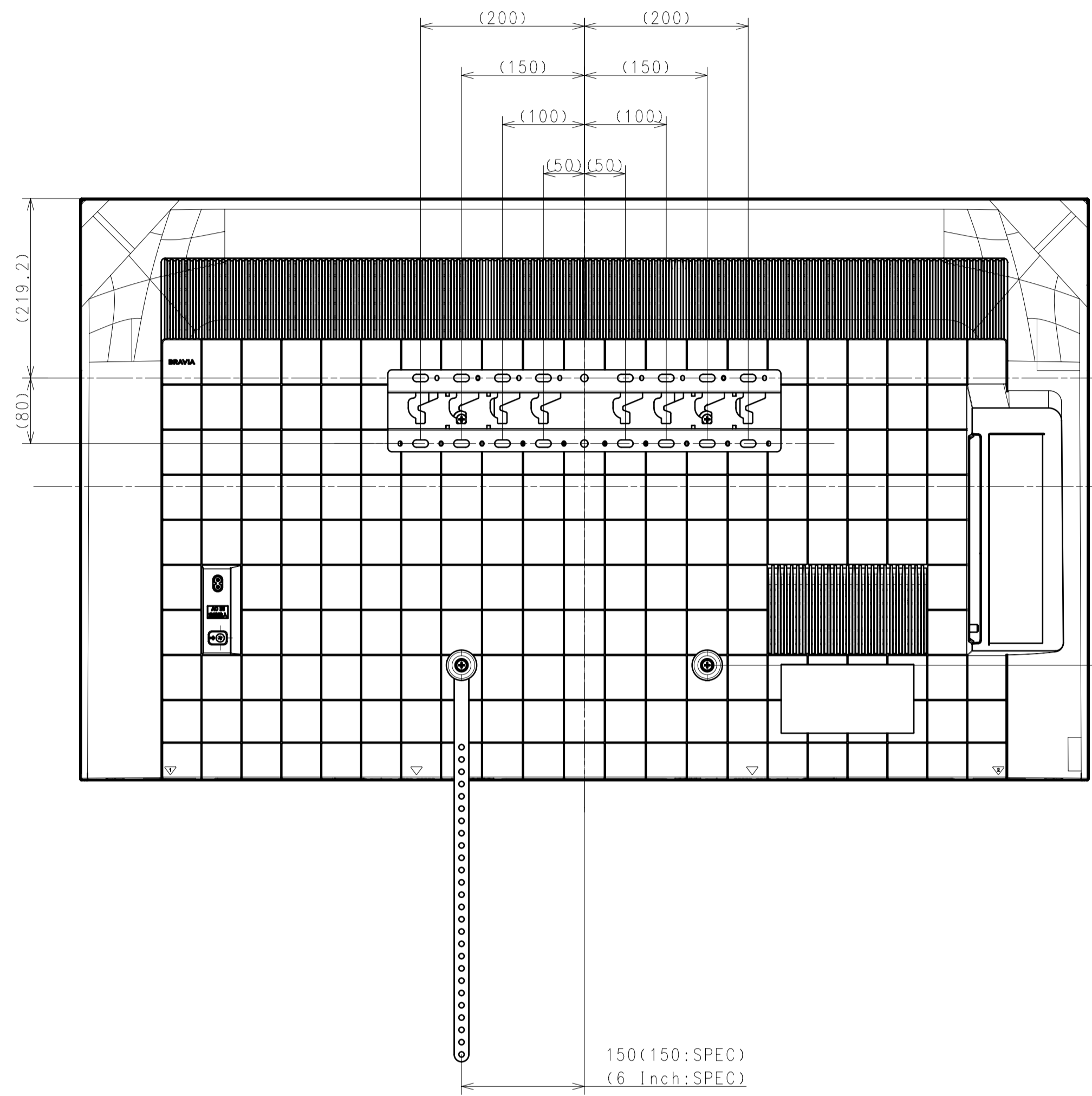
For EUROPE

DESCRIPTION 55 (X85K) EXTERIOR VIEW	LEGAL OWNER Sony Corporation	SCALE 1:5
DESCRIPTION 55 (X85K) EXTERIOR VIEW	PART NO.	SHEET/PAGES 4 / 6

SU-WL450

STANDARD

SLIM



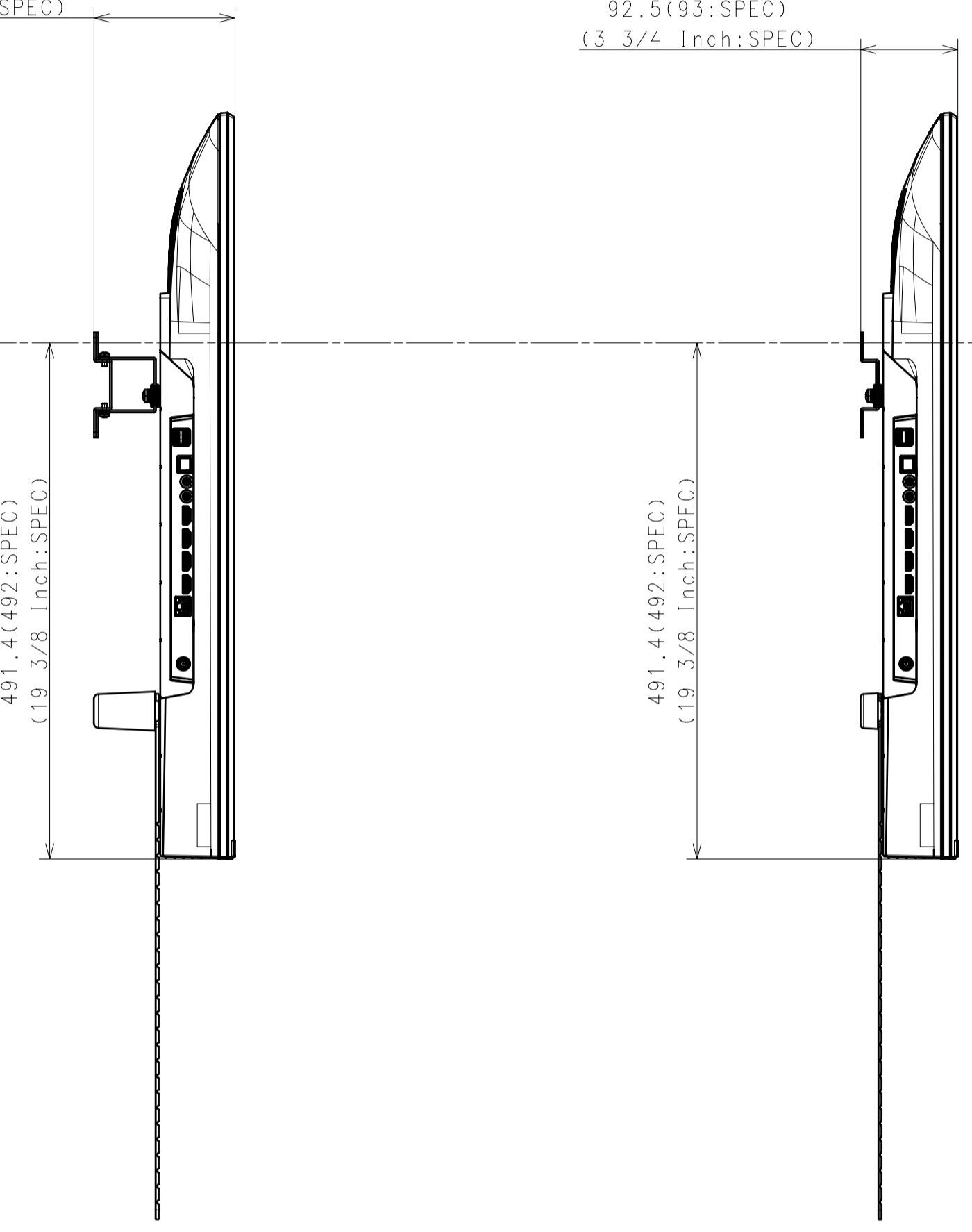
132.3 (5 1/4 Inch:SPEC)
 350.5 (13 7/8 Inch:SPEC)

134.3 (5 3/8 Inch:SPEC)
 135:SPEC

92.5 (3 3/4 Inch:SPEC)
 93:SPEC

491.4 (19 3/8 Inch:SPEC)
 492:SPEC

491.4 (19 3/8 Inch:SPEC)
 492:SPEC

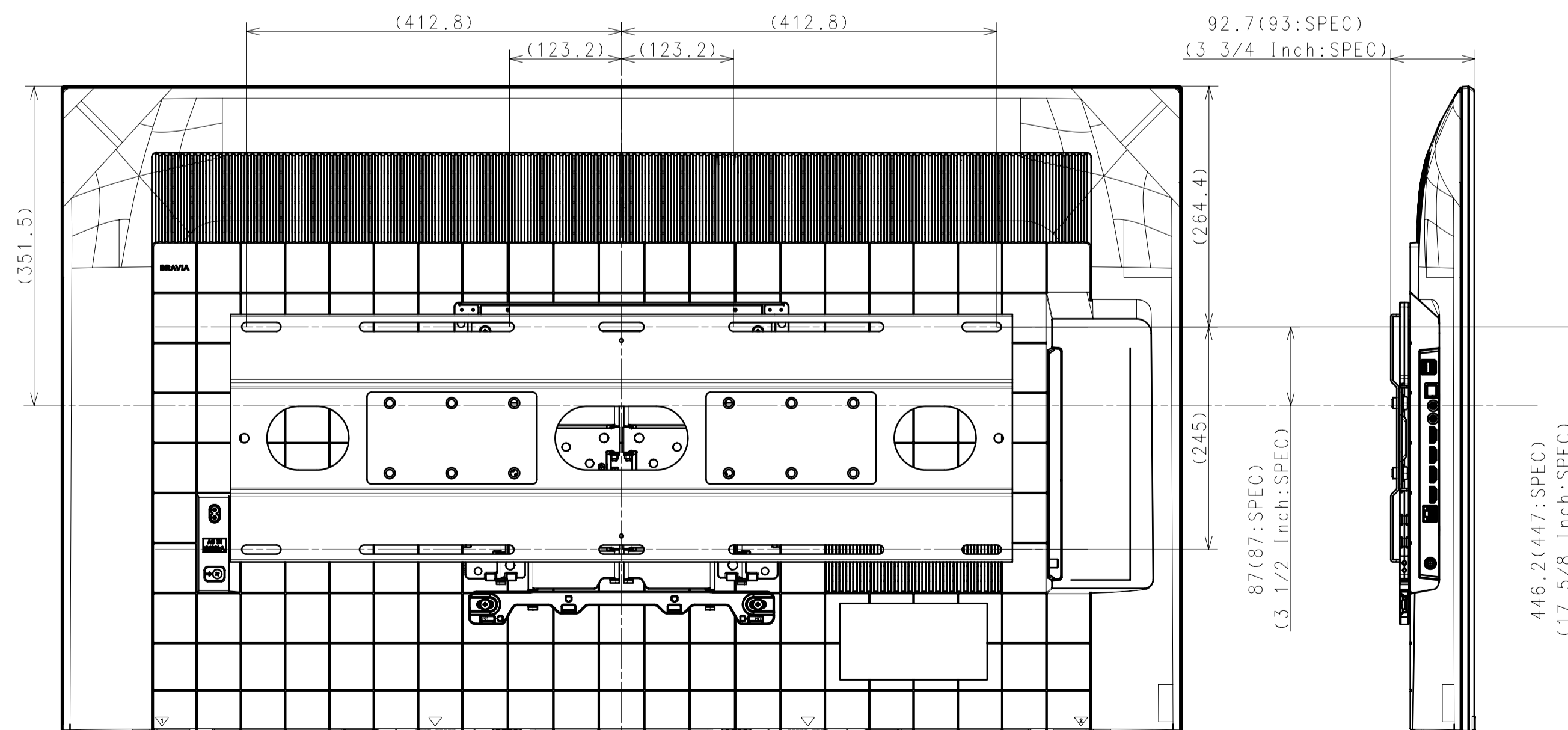
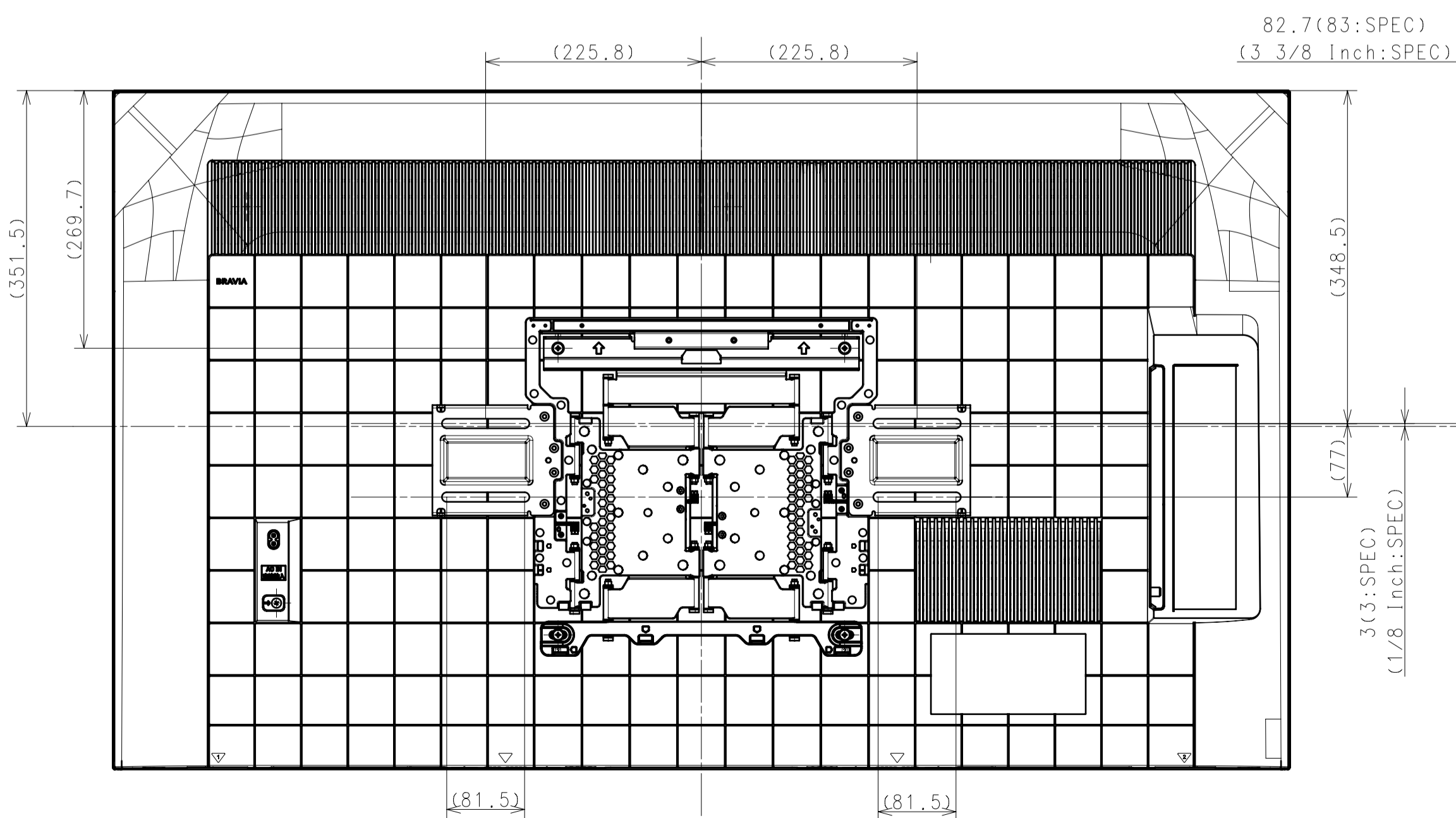
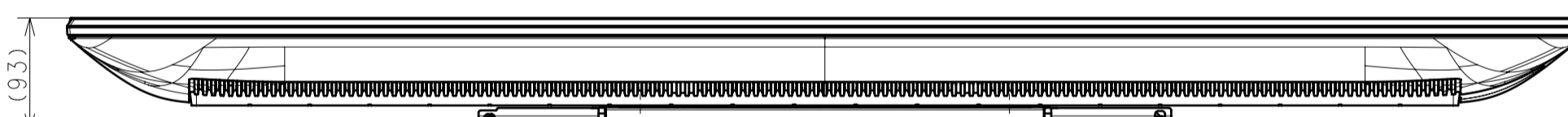
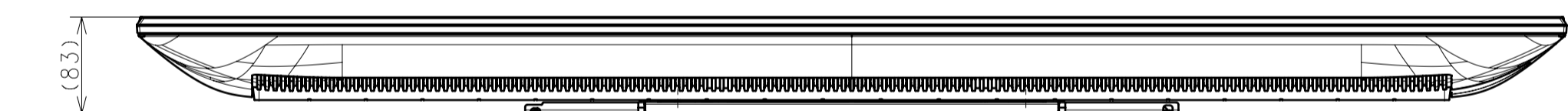
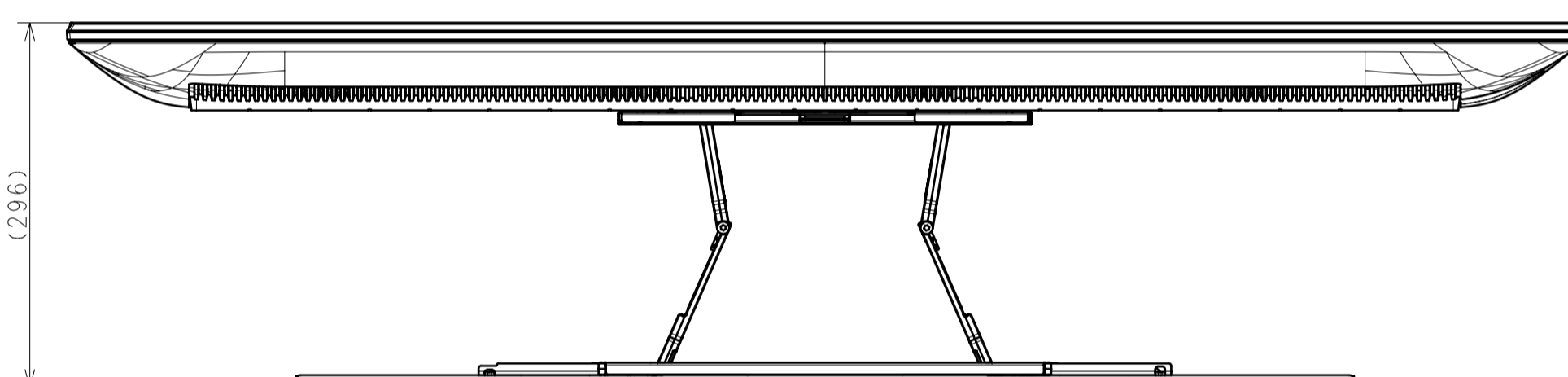
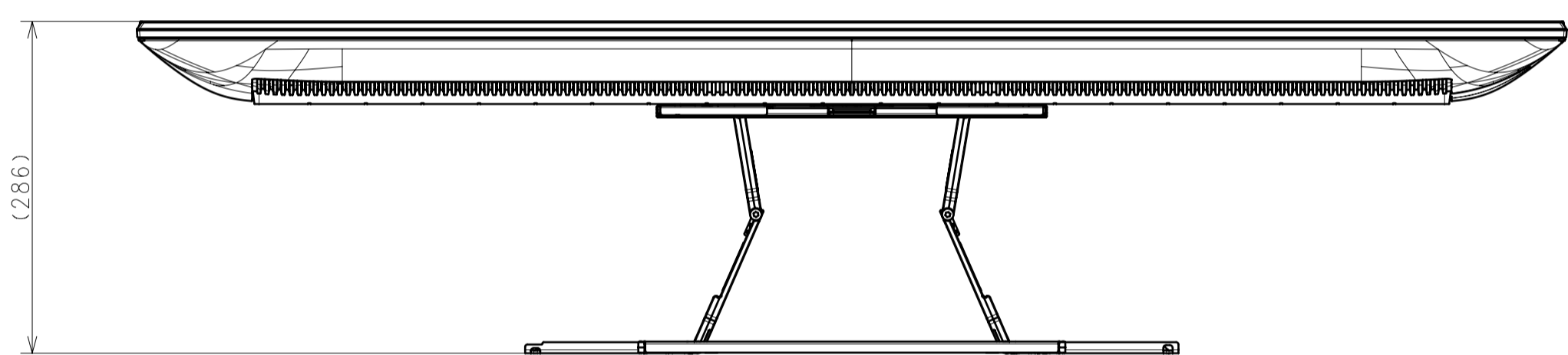
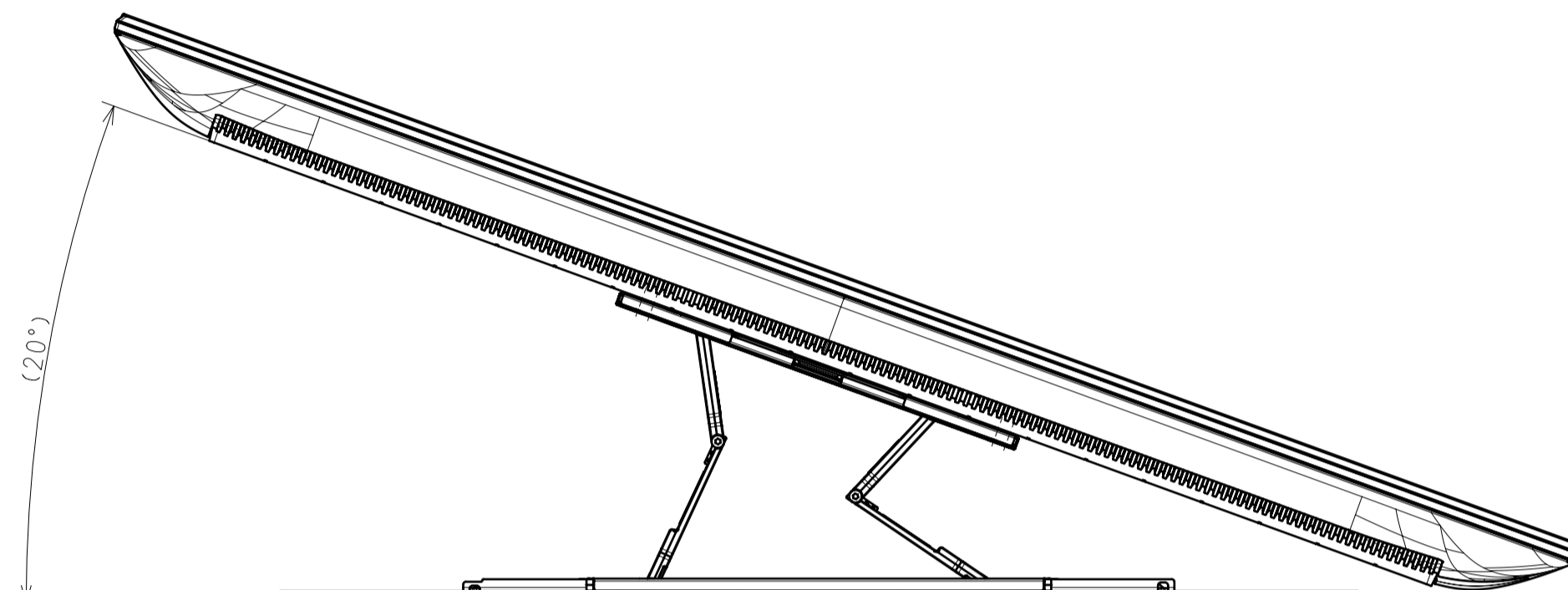
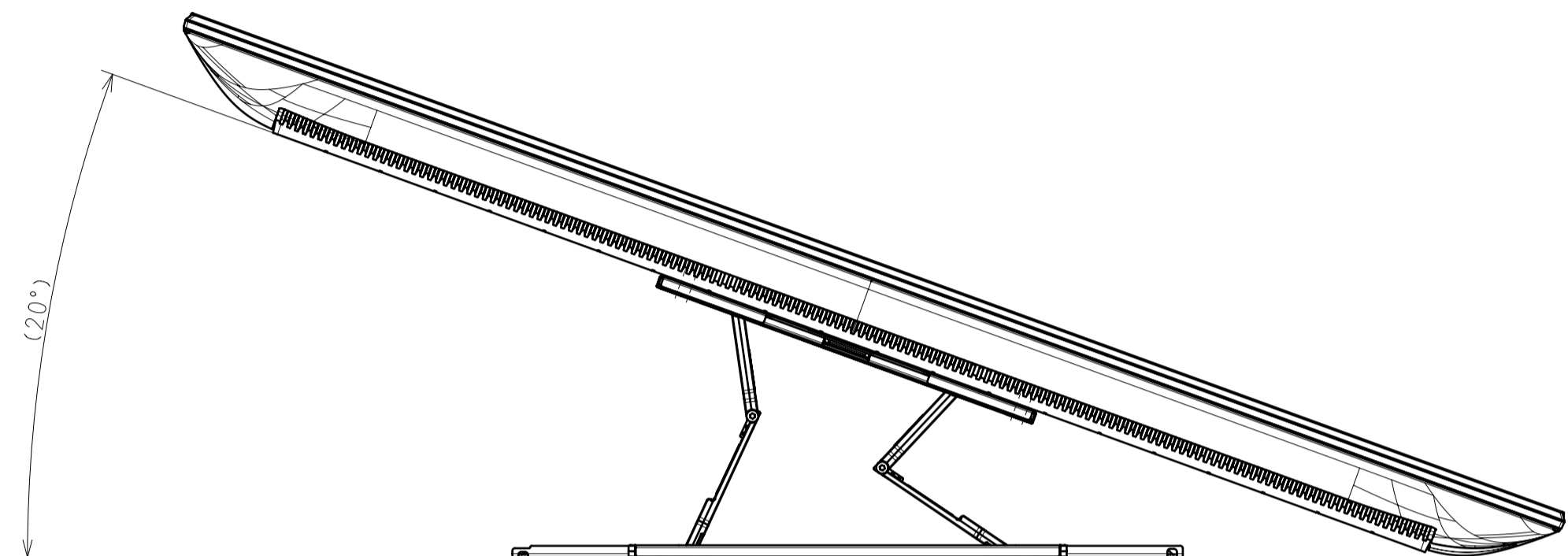
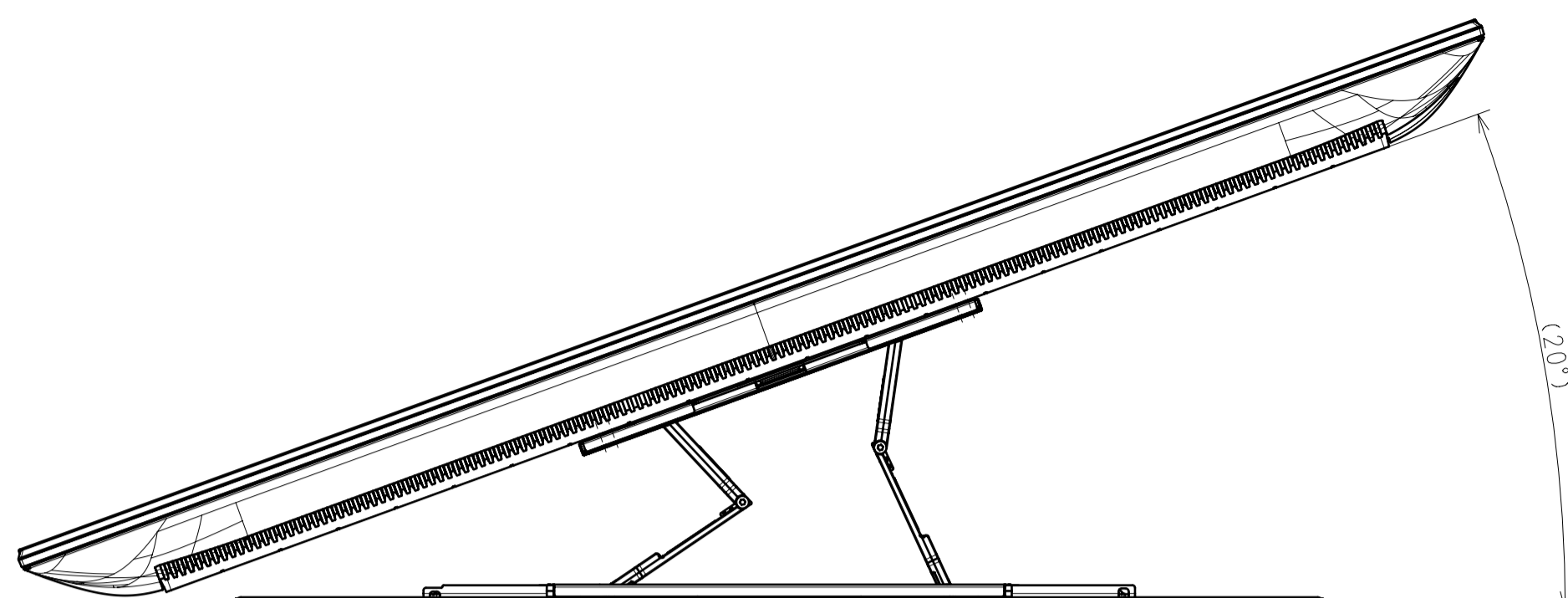
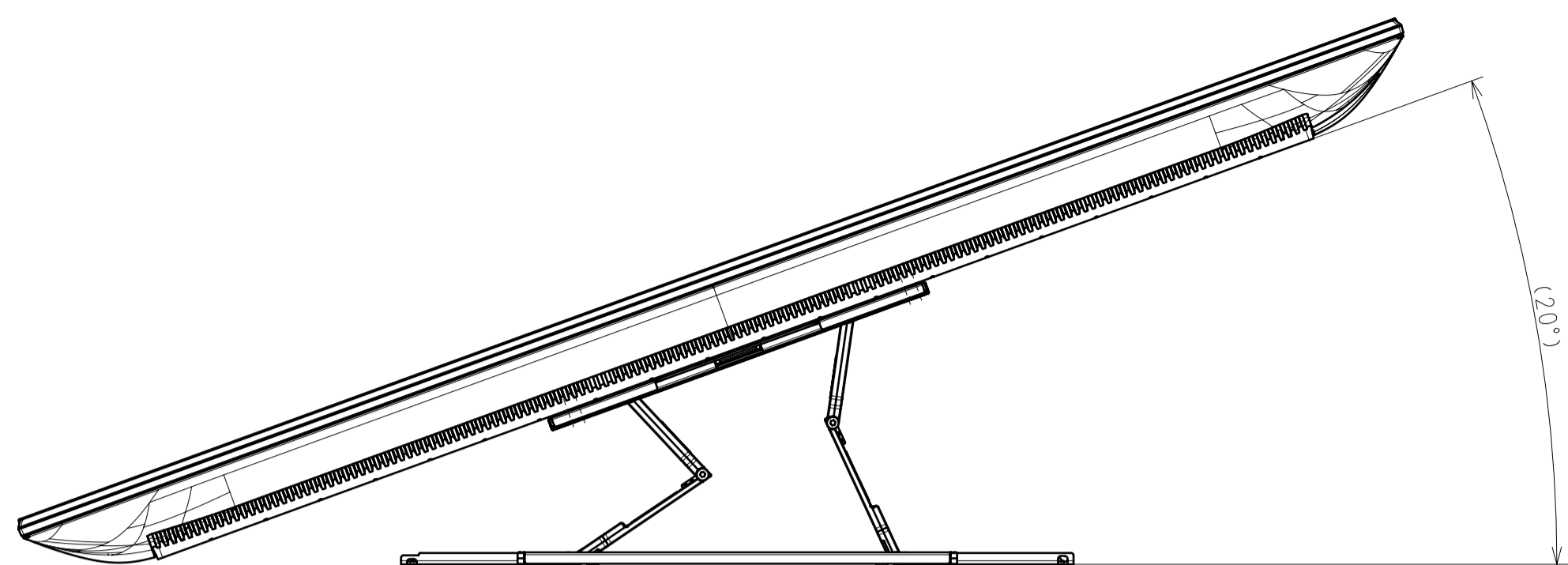


SONY STANDARD

DESCRIPTION	LEGAL OWNER	SCALE
55 (X85K) EXTERIOR VIEW	Sony Corporation	1:5
DESCRIPTION	PART NO.	SHEET/PAGES
55 (X85K) EXTERIOR VIEW		5 / 6

SU-WL 850

SU-WL 855 (WITH LATERAL SHAFT BRACKET)



DESCRIPTION 1	55 (X85K) EXTERIOR VIEW	LEGAL OWNER	Sony Corporation	SCALE	1:5
DESCRIPTION 2	55 (X85K) EXTERIOR VIEW	PART NO.		SHEET/PAGES	6 / 6