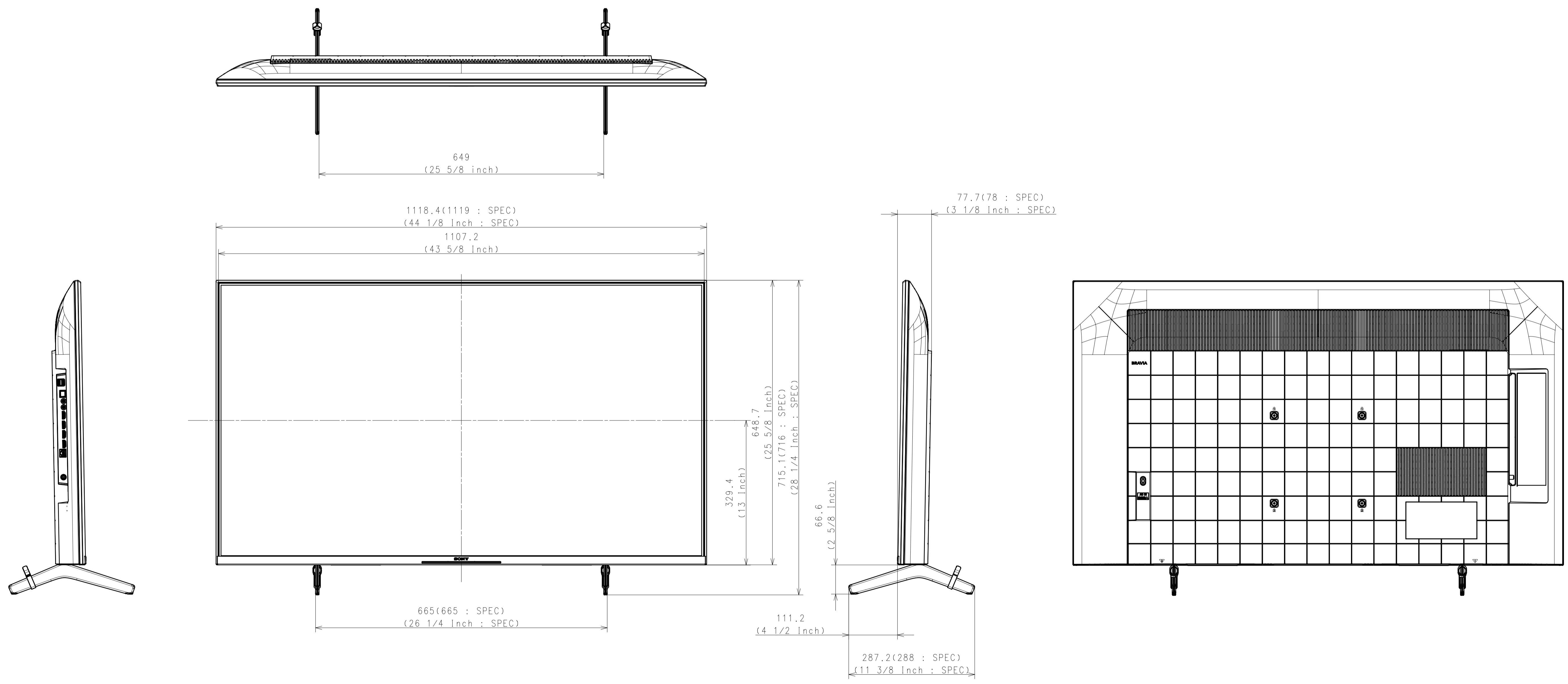


Area	JAPAN	NORTH AMERICA	EUROPE	GENERAL AREA	CHINA	
Model Name	KJ-50X85K	KD-50X85K	KD-50X85K	KD-50X85K	KD-50X85K	
SV No.	SV-40370	SV-40220	SV-40339	SV-40274	SV-40304	
DIMENSION	TV only (W x H x D)	111.9 x 64.9 x 7.0 cm	1119 x 649 x 70 mm / 44 1/8 x 25 5/8 x 2 7/8 inch	Approx. 111.9 x 64.9 x 7.0 cm	Approx. 1119 x 649 x 70 mm	Approx. 1119 x 649 x 70 mm
	TV with Stand (Standard position) (W x H x D)	111.9 x 71.6 x 28.8 cm	1119 x 715 x 286 mm / 44 1/8 x 28 1/4 x 11 3/8 inch	Approx. 111.9 x 71.6 x 28.8 cm	Approx. 1119 x 716 x 288 mm	Approx. 1119 x 716 x 288 mm
	TV with Stand (Narrow position) (W x H x D)	-	-	-	-	-
	TV with Stand (Soundbar position) (W x H x D)	-	-	-	-	-
	TV with Floor Stand (W x H x D)	-	-	-	-	-
	Stand Width (Standard position)	66.5 cm	665 mm / 26 1/4 inch	Approx. 66.5 cm	Approx. 665 mm	Approx. 665 mm
	Stand Width (Narrow position)	-	-	-	-	-
	Stand Width (Soundbar position)	-	-	-	-	-
	Floor Stand Width	-	-	-	-	-
VESA Hole Pitch	20.0 x 20.0 cm	200 x 200 mm / 7 7/8 x 7 7/8 inch	20.0 x 20.0 cm	200 x 200 mm	200 x 200 mm	
WEIGHT	TV Only	12.7 kg	12.7 kg / 28 lb	Approx. 12.7 kg	Approx. 12.7 kg	Approx. 12.7 kg
	TV with Stand (Standard position)	13.3 kg	13.3 kg / 29.3 lb	Approx. 13.3 kg	Approx. 13.3 kg	Approx. 13.3 kg
	TV with Stand (Narrow position)	-	-	-	-	-
	TV with Stand (Soundbar position)	-	-	-	-	-
	TV with Floor Stand	-	-	-	-	-
	Floor Stand weight (Supply)	-	-	-	-	-
Remarks	-	-	-	-	-	

WITH STAND

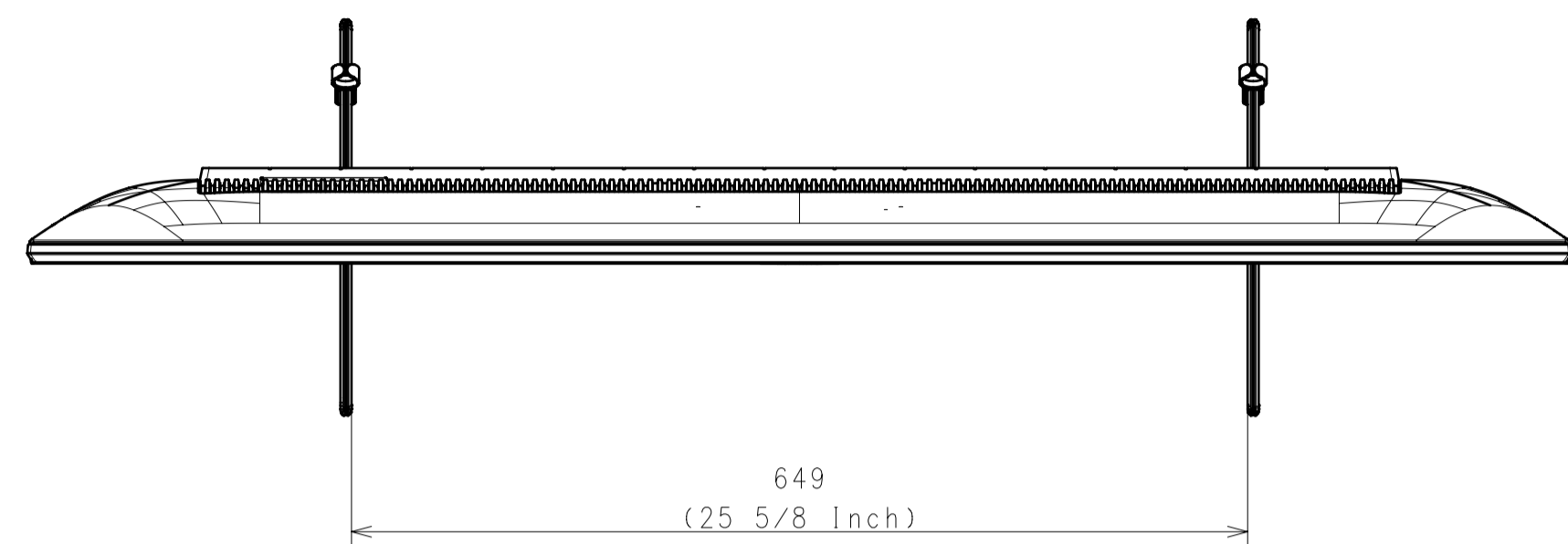
MAIN STAND
STANDARD POSITION
Except KD-50X85K (NORTH AMERICA)



RESPONSIBLE DEPARTMENT PLANE & MECHANICAL DESIGN		ORIGINAL MODEL 50(X85K) EXTERIOR VIEW		DATE OF ISSUE 2021.09.27	
PLANNED BY FUJIN, SSS-MECHA		CHECKED BY FUJIN, SSS-MECHA		DOCUMENT TYPE ASSEMBLY	
DRAWN BY FUJIN, SSS-MECHA		APPROVED BY FUJIN, SSS-MECHA		TOOLERANCE/FORMING (JIS & JWE1450 PARTS)	
SCALE 1:5		TENTATIVE MODEL 50(X85K) EXTERIOR VIEW		MATERIAL COLOR FINISH COLOR	
SIZE A1		UNIT mm		SHEET/PAGES 1/4	

WITH STAND

MAIN STAND (APH)
STANDARD POSITION
KD-50X85K (NORTH AMERICA) Only



1118.4(119 : SPEC)
(44 1/8 Inch : SPEC)

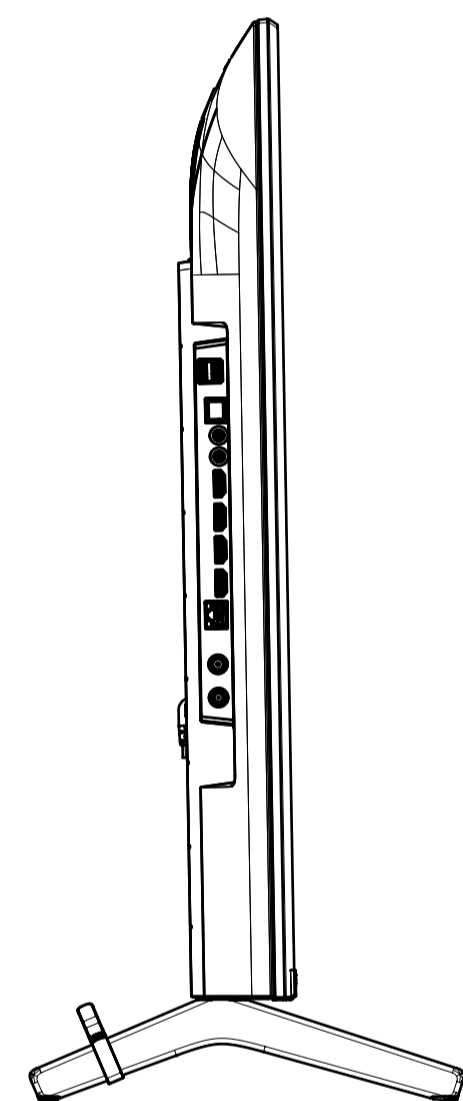
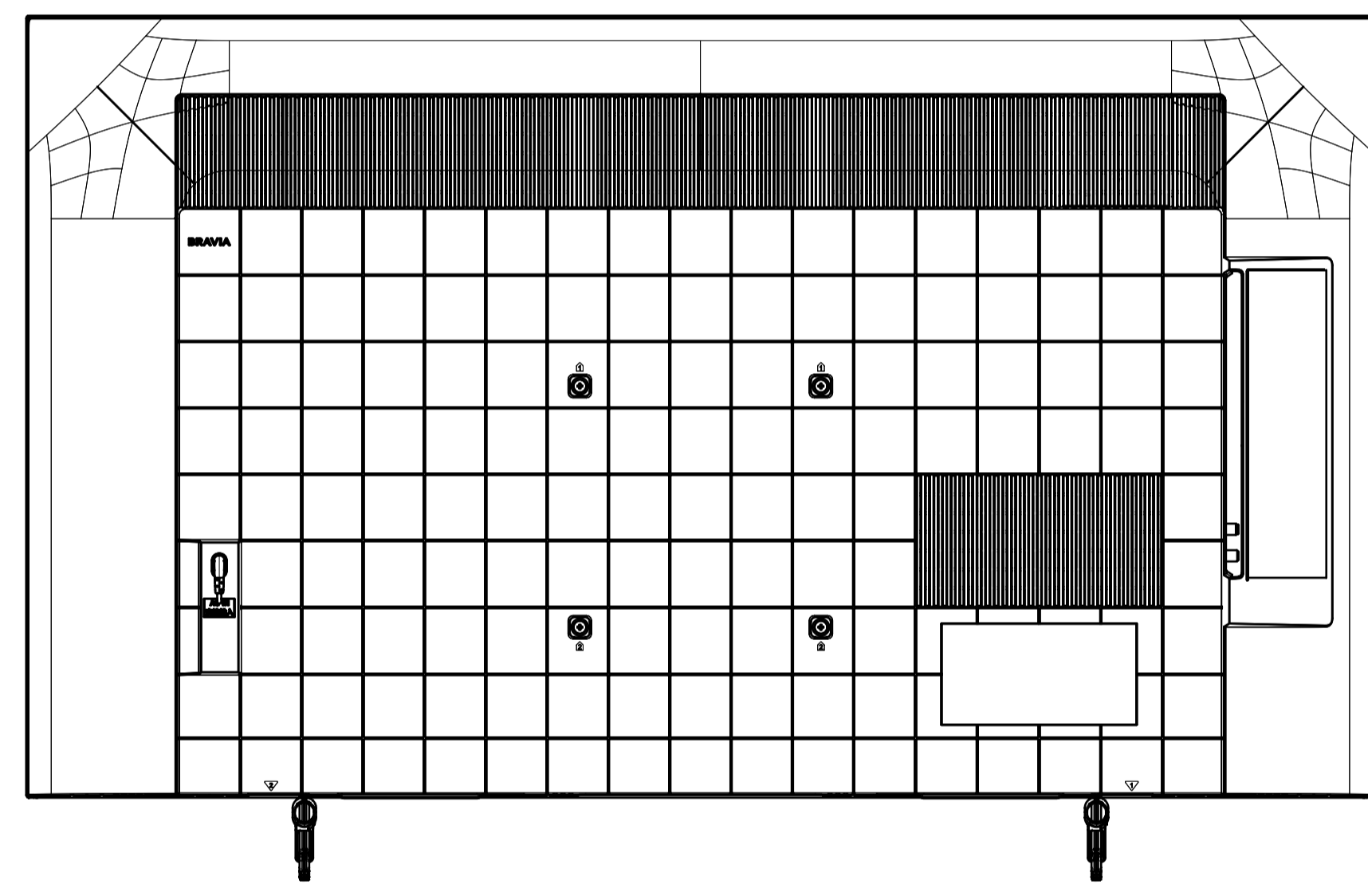
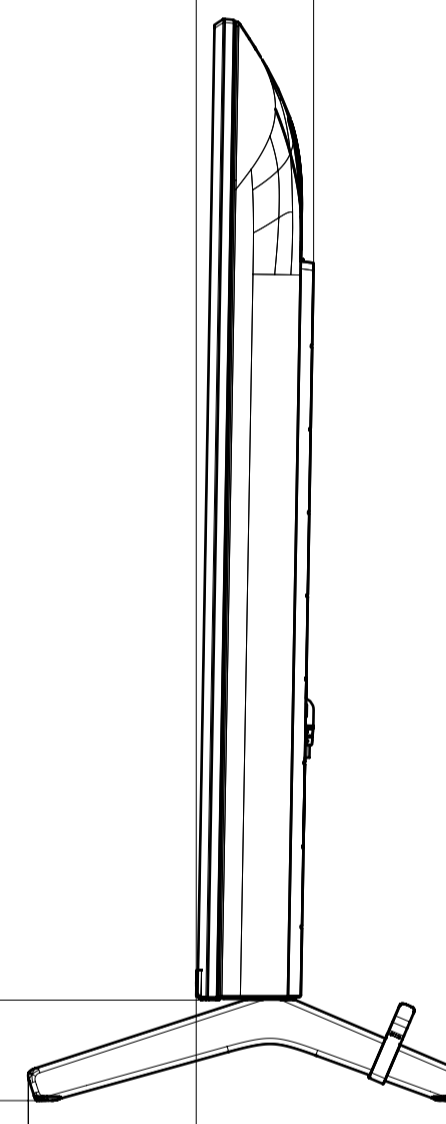


665(665 : SPEC)
(26 1/4 Inch : SPEC)

110.4
(4 3/8)

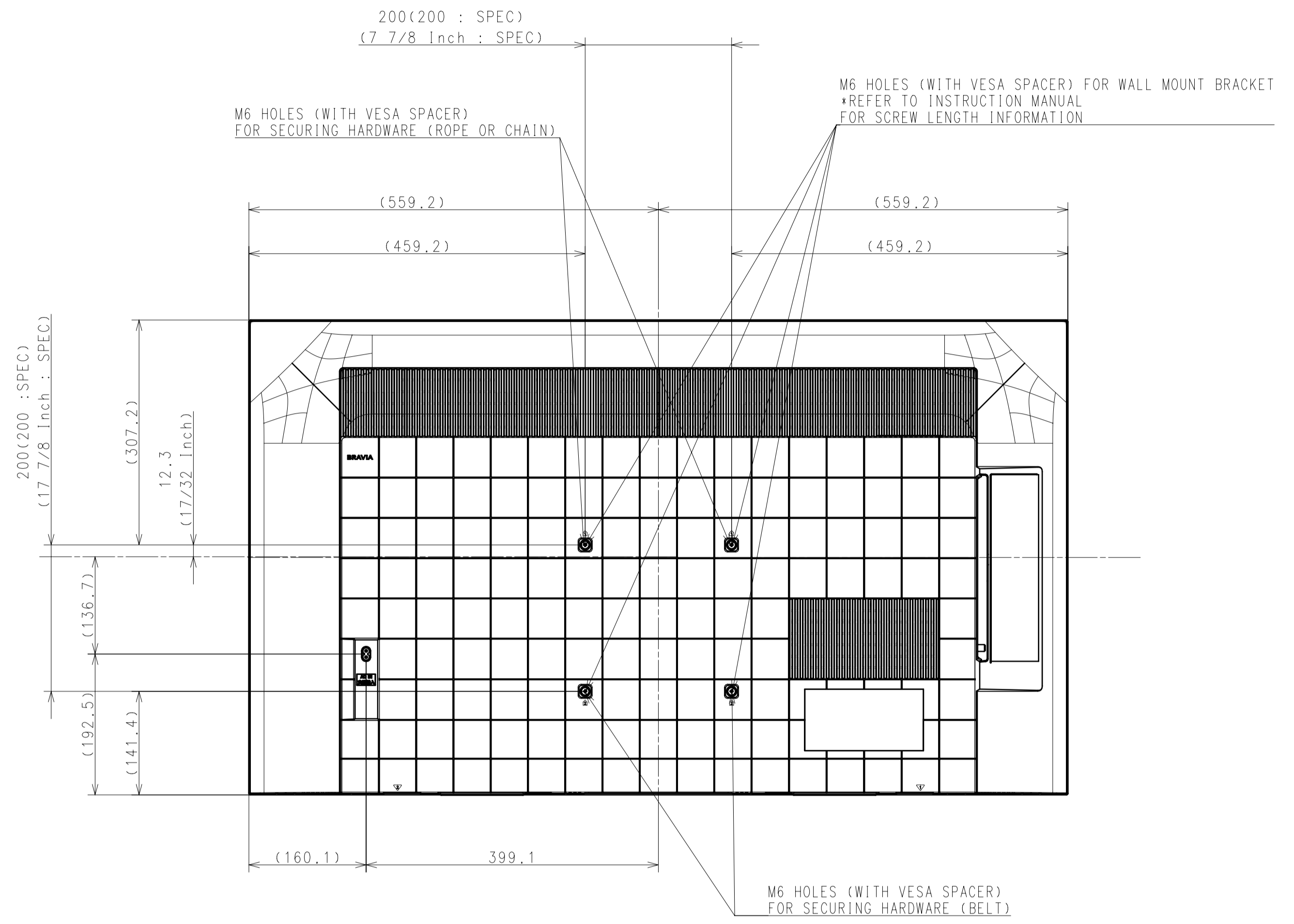
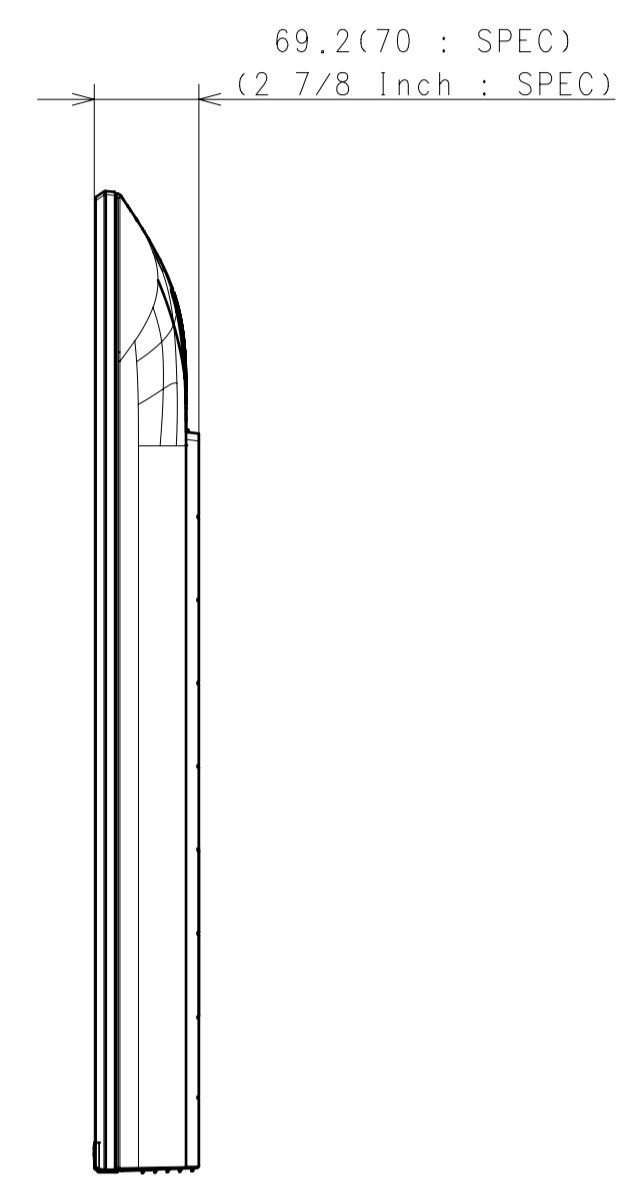
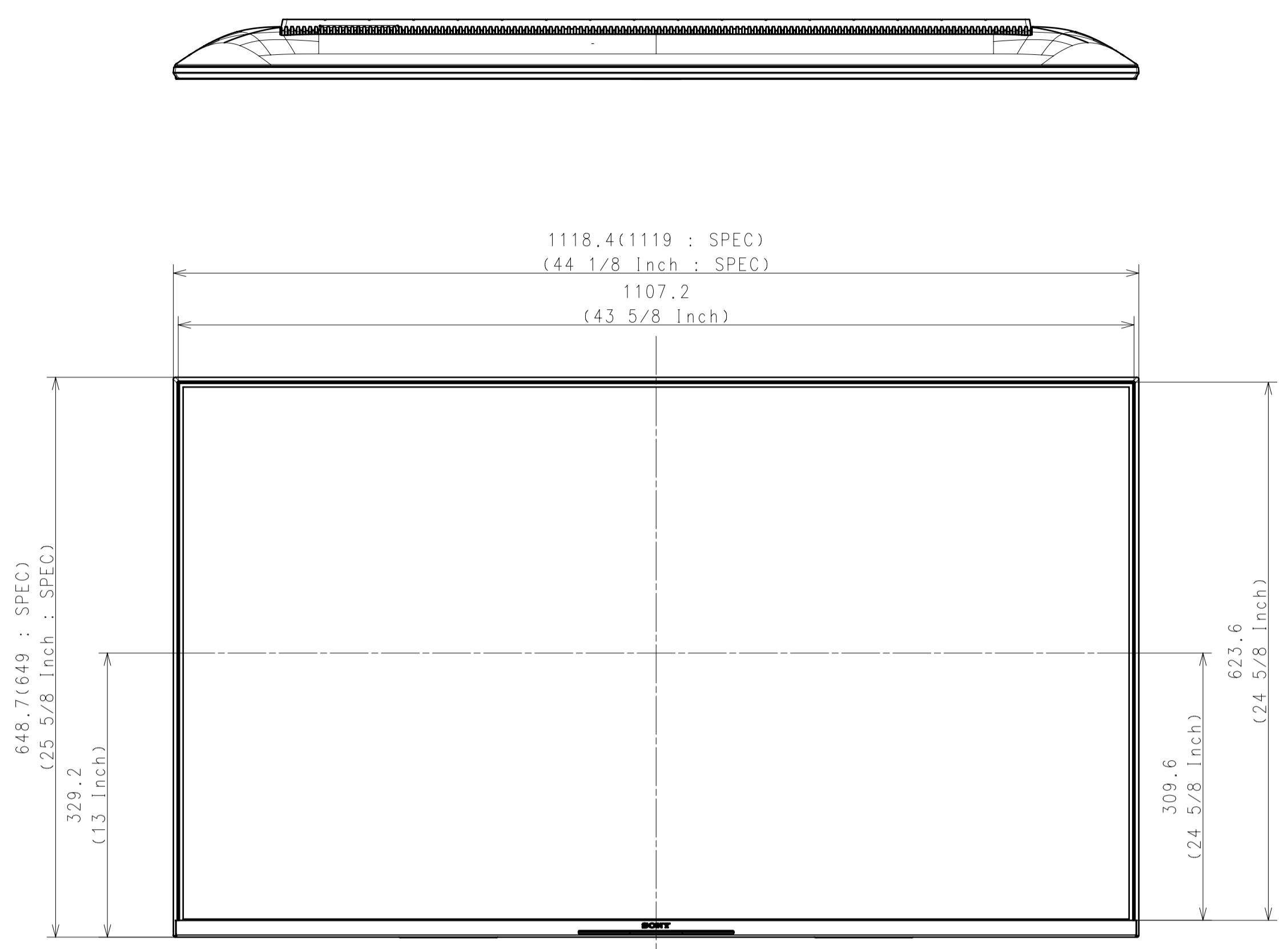
285.3(286 : SPEC)
(11 3/8 Inch : SPEC)

77.7(78 : SPEC)
(3 1/8 Inch : SPEC)

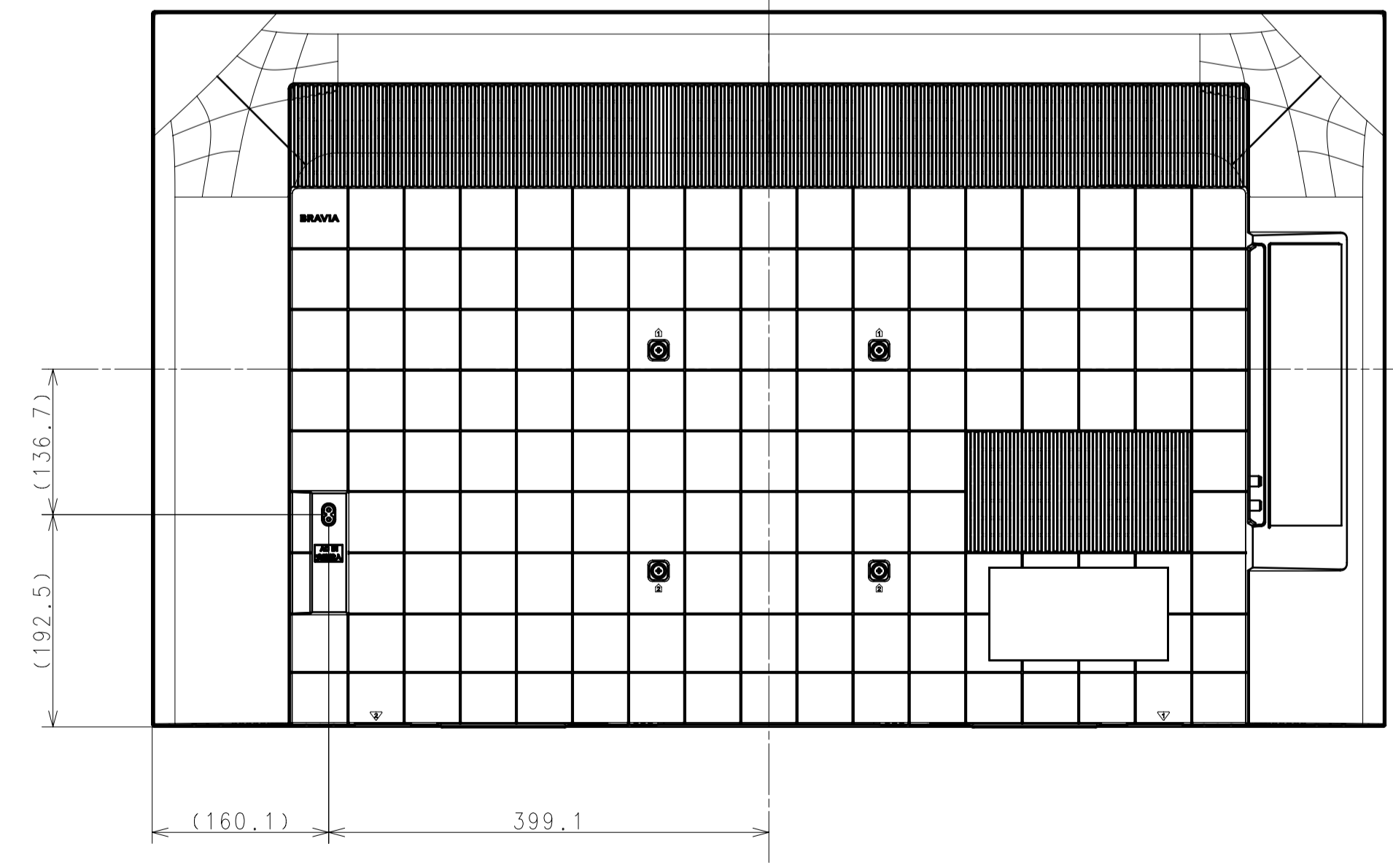


DESCRIPTION 1 50(X85K) EXTERIOR VIEW	LEGAL OWNER Sony Corporation	SCALE 1:5
DESCRIPTION 2 50(X85K) EXTERIOR VIEW	PART NO.	SHEET/PAGES 2 / 4

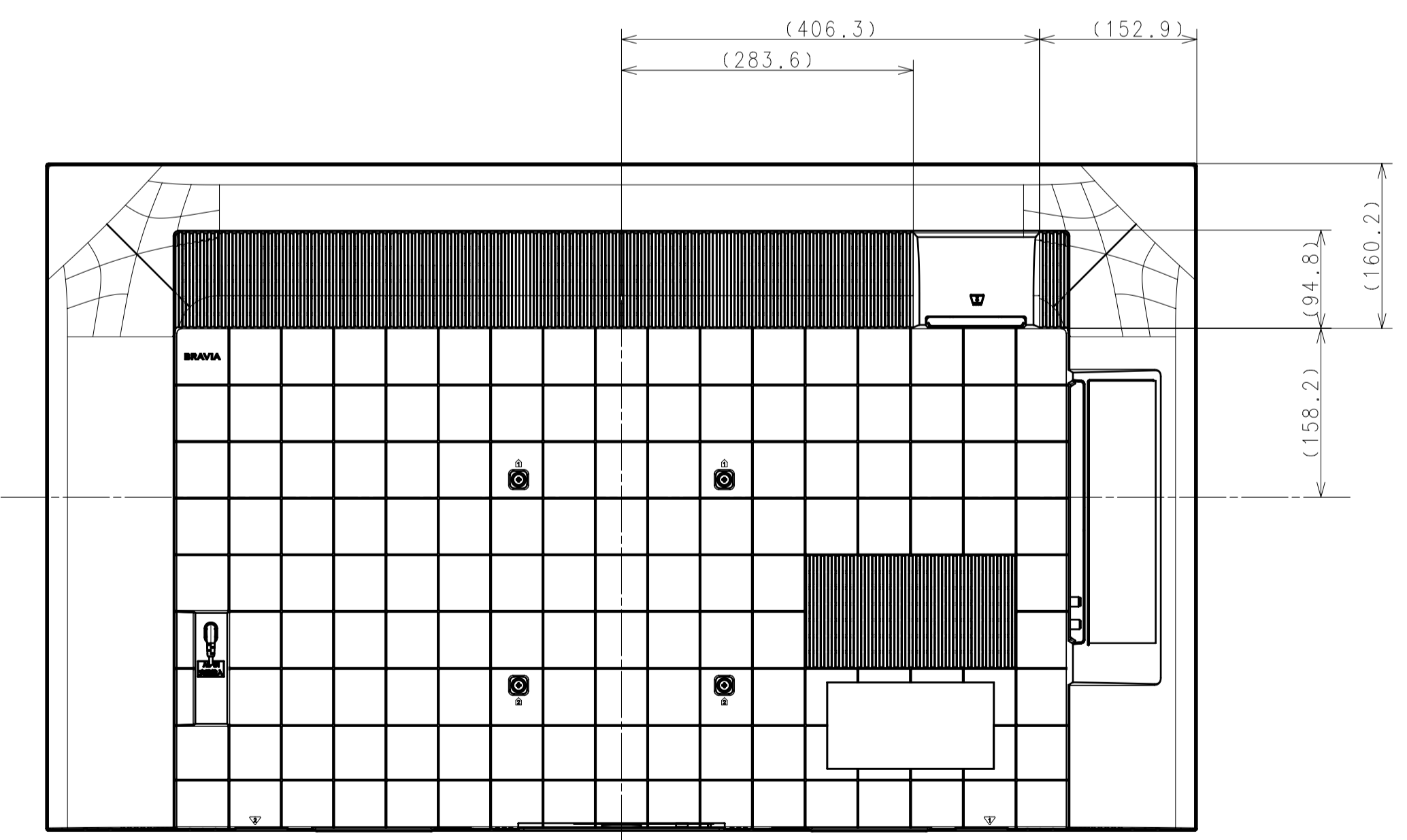
WITHOUT STAND



For GENERAL AREA, NORTH AMERICA, CHINA



For JAPAN



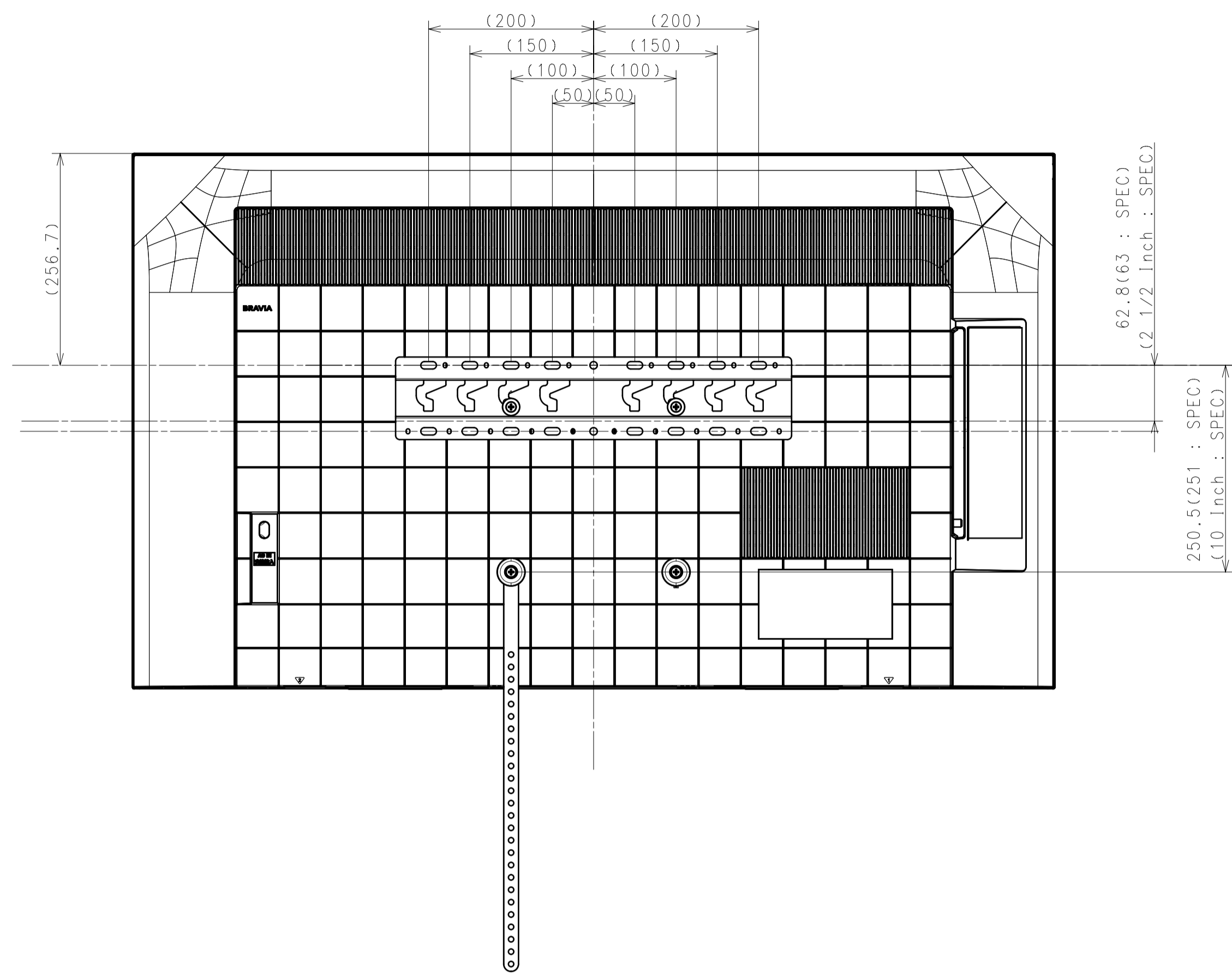
For EUROPE

DESCRIPTION 1	50(X85K) EXTERIOR VIEW	LEGAL OWNER	Sony Corporation	SCALE	1:5
DESCRIPTION 2	50(X85K) EXTERIOR VIEW	PART NO.		SHEET/PAGES	3 / 4

SU-WL450

STANDARD

SLIM



132.8(133 : SPEC)
(5 1/4 inch : SPEC)

91(91 : SPEC)
(3 5/8 inch : SPEC)

391.9(392 : SPEC)
(15 1/2 inch : SPEC)

391.9(392 : SPEC)
(15 1/2 inch : SPEC)

62.8(63 : SPEC)
(2 1/2 inch : SPEC)

250.5(251 : SPEC)
(10 inch : SPEC)

DESCRIPTION 1	LEGAL OWNER	SCALE
50(X85K) EXTERIOR VIEW	Sony Corporation	1:5
DESCRIPTION 2	PART NO.	SHEET/PAGES
50(X85K) EXTERIOR VIEW		4 / 4