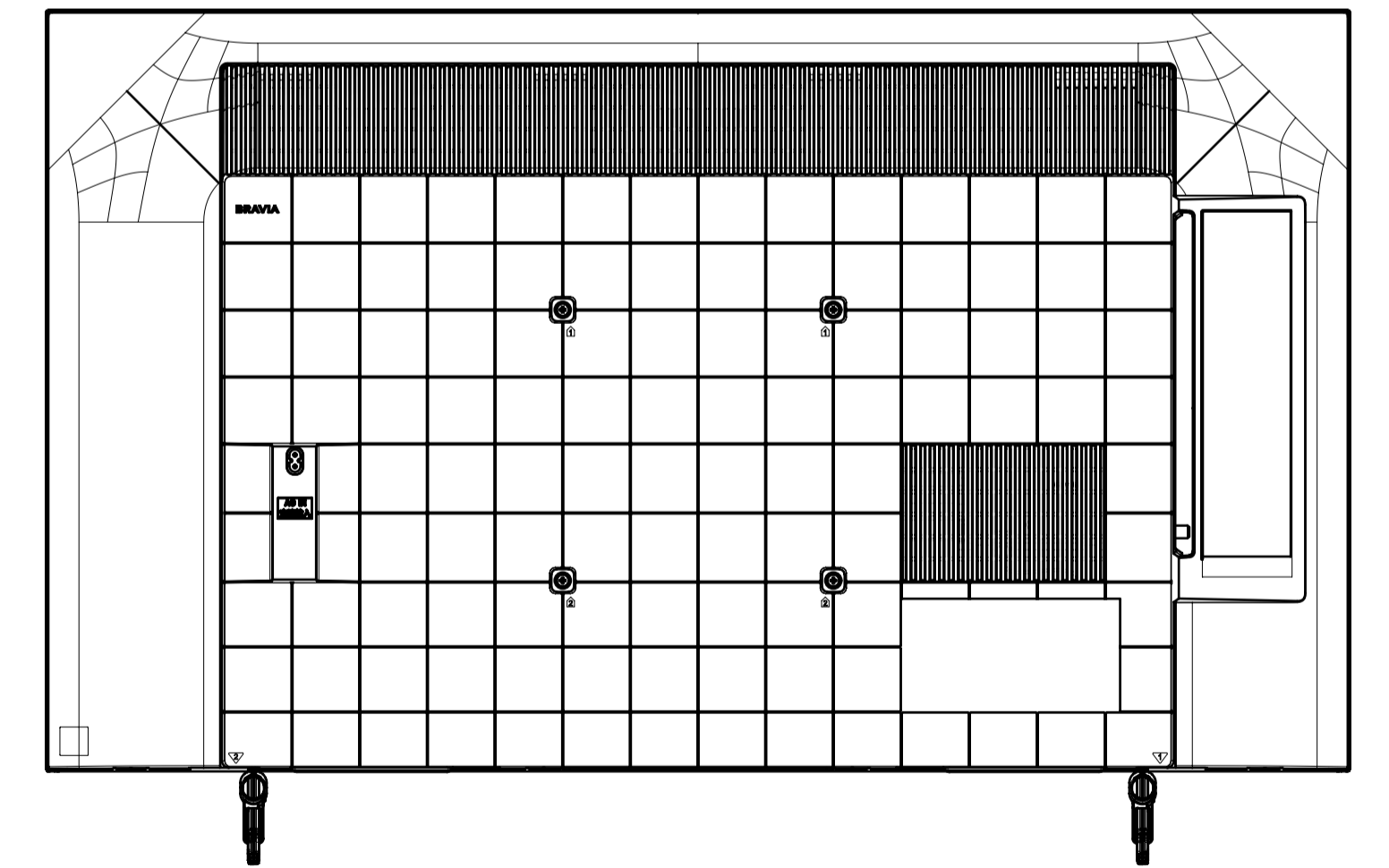
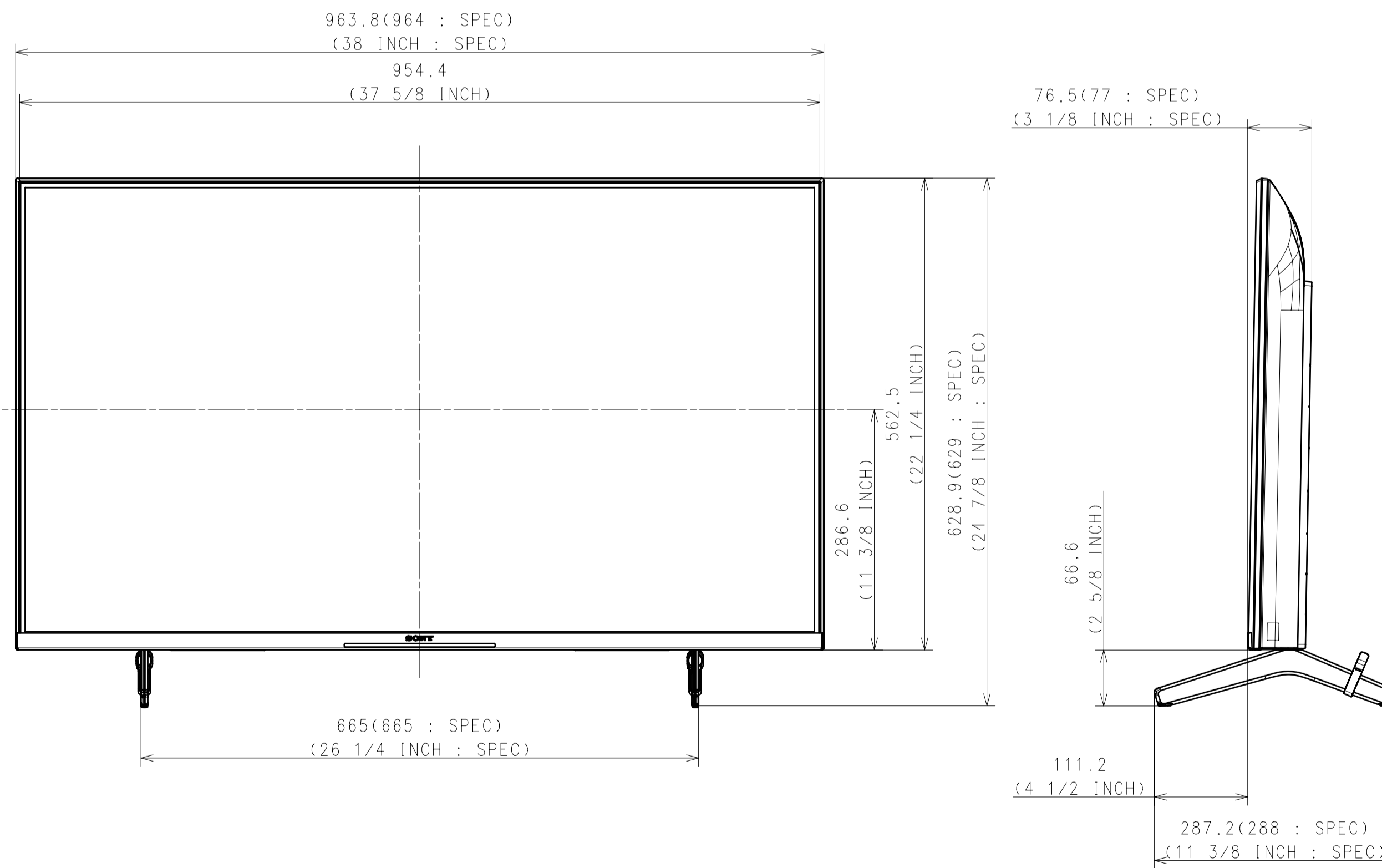
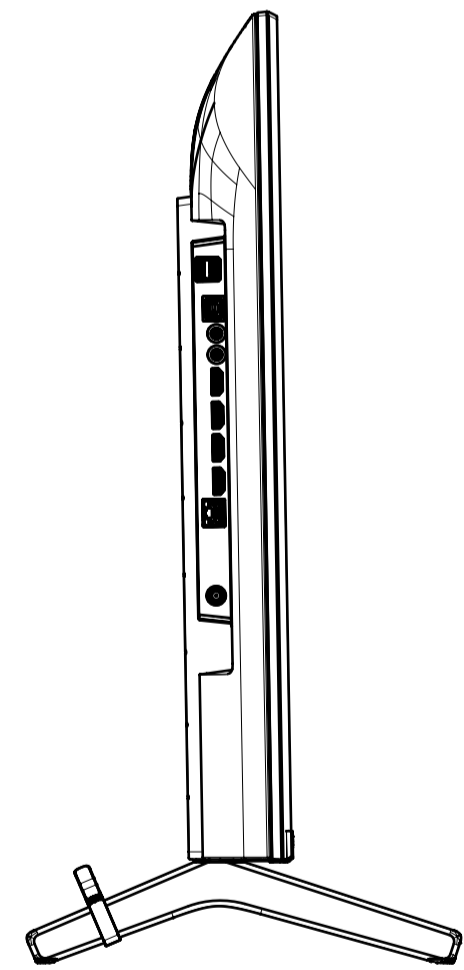
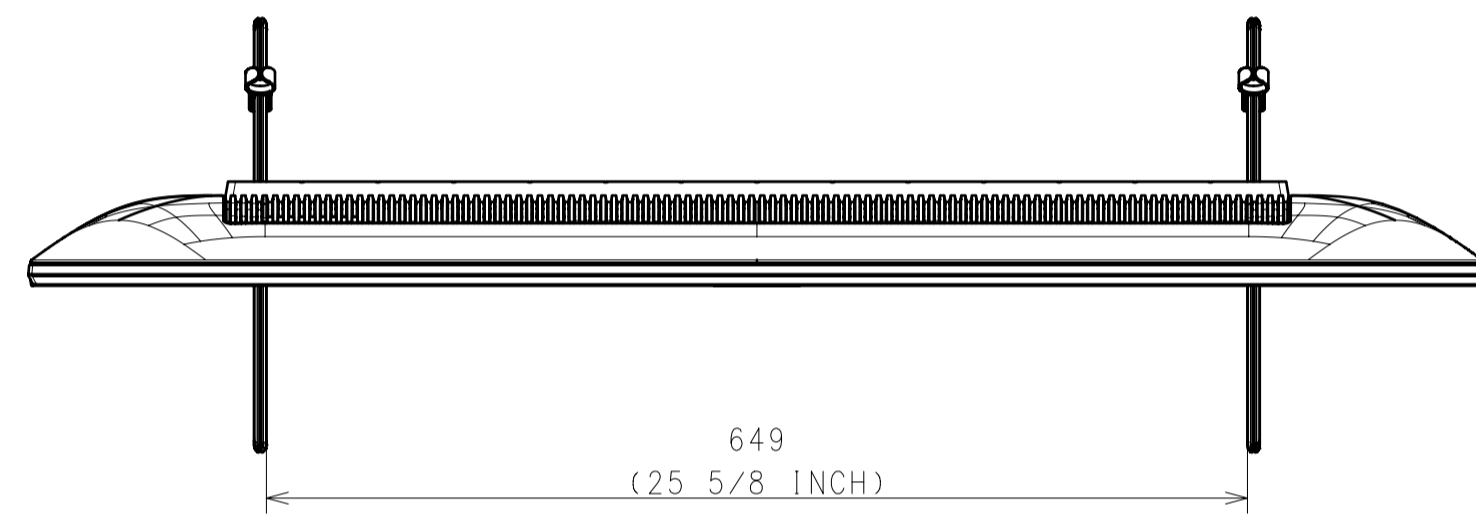


Area		JAPAN	NORTH AMERICA	EUROPE	EUROPE DERIVATIVE 1	GENERAL AREA	CHINA
Model Name		KJ-43X85K	KD-43X85K	KD-43X85K	KD-43X89K	KD-43X85K	KD-43X85K
SV No.		SV-40371	SV-40221	SV-40342	SV-40343	SV-40275	SV-40305
DIMENSION	TV only (W x H x D)	96.4 x 56.3 x 6.9 cm	964 x 563 x 69 mm / 38 x 22 1/4 x 2 3/4 inch	Approx. 96.4 x 56.3 x 6.9 cm	Approx. 96.4 x 56.3 x 6.9 cm	Approx. 964 x 563 x 69 mm	Approx. 964 x 563 x 69 mm
	TV only with camera (WxHxD)	-	-	-	-	-	-
	TV with Stand (Standard position) (W x H x D)	96.4 x 62.9 x 28.8 cm	964 x 628 x 286 mm / 38 x 24 3/4 x 11 3/8 inch	Approx. 96.4 x 62.9 x 28.8 cm	Approx. 96.4 x 62.9 x 28.8 cm	Approx. 964 x 629 x 288 mm	Approx. 964 x 629 x 288 mm
	TV with Stand (Narrow position) (W x H x D)	-	-	-	-	-	-
	TV with Stand (Soundbar position) (W x H x D)	-	-	-	-	-	-
	TV with Stand (Front position style) (W x H x D)	-	-	-	-	-	-
	TV with Stand (Back position style) (W x H x D)	-	-	-	-	-	-
	TV with Floor Stand (W x H x D)	-	-	-	-	-	-
	Stand Width (Standard position)	66.5 cm	665 mm / 26 1/4 inch	Approx. 66.5 cm	Approx. 66.5 cm	Approx. 665 mm	Approx. 665 mm
	Stand Width (Narrow position)	-	-	-	-	-	-
Floor Stand	Stand Width (Soundbar position)	-	-	-	-	-	-
	Stand Width (Front position style)	-	-	-	-	-	-
	Stand Width (Back position style)	-	-	-	-	-	-
	Floor Stand Width	-	-	-	-	-	-
VESA Hole Pitch		20.0 x 20.0 cm	200 x 200 mm / 7 7/8 x 7 7/8 inch	20.0 x 20.0 cm	20.0 x 20.0 cm	200 x 200 mm	200 x 200 mm
	TV Only	10.2 kg	10.2 kg / 22.5 lb	Approx. 10.2 kg	Approx. 10.2 kg	Approx. 10.2 kg	Approx. 10.2 kg
TV with Stand (Standard position)		10.7 kg	10.6 kg / 23.4 lb	Approx. 10.7 kg	Approx. 10.7 kg	Approx. 10.7 kg	Approx. 10.7 kg
	TV with Stand (Narrow position)	-	-	-	-	-	-
TV with Stand (Soundbar position)	-	-	-	-	-	-	-
TV with Stand (Front/Back position style)	-	-	-	-	-	-	-
TV with Floor Stand	-	-	-	-	-	-	-
Floor Stand weight (Supply)	-	-	-	-	-	-	-
W-M't Br. Weight (Supply)	-	-	-	-	-	-	-
Remarks			Main Stand(APH)				

# WITH STAND

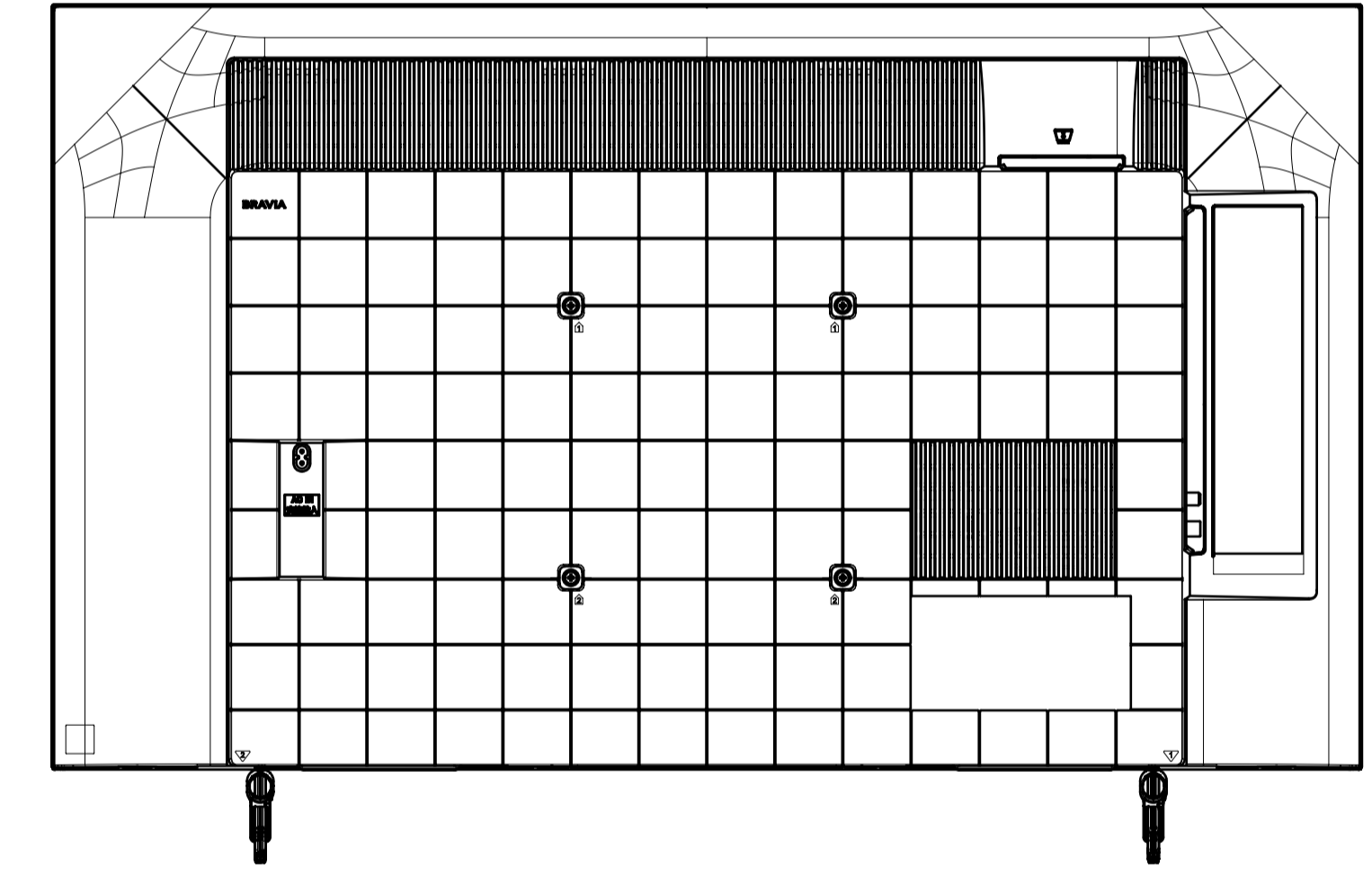
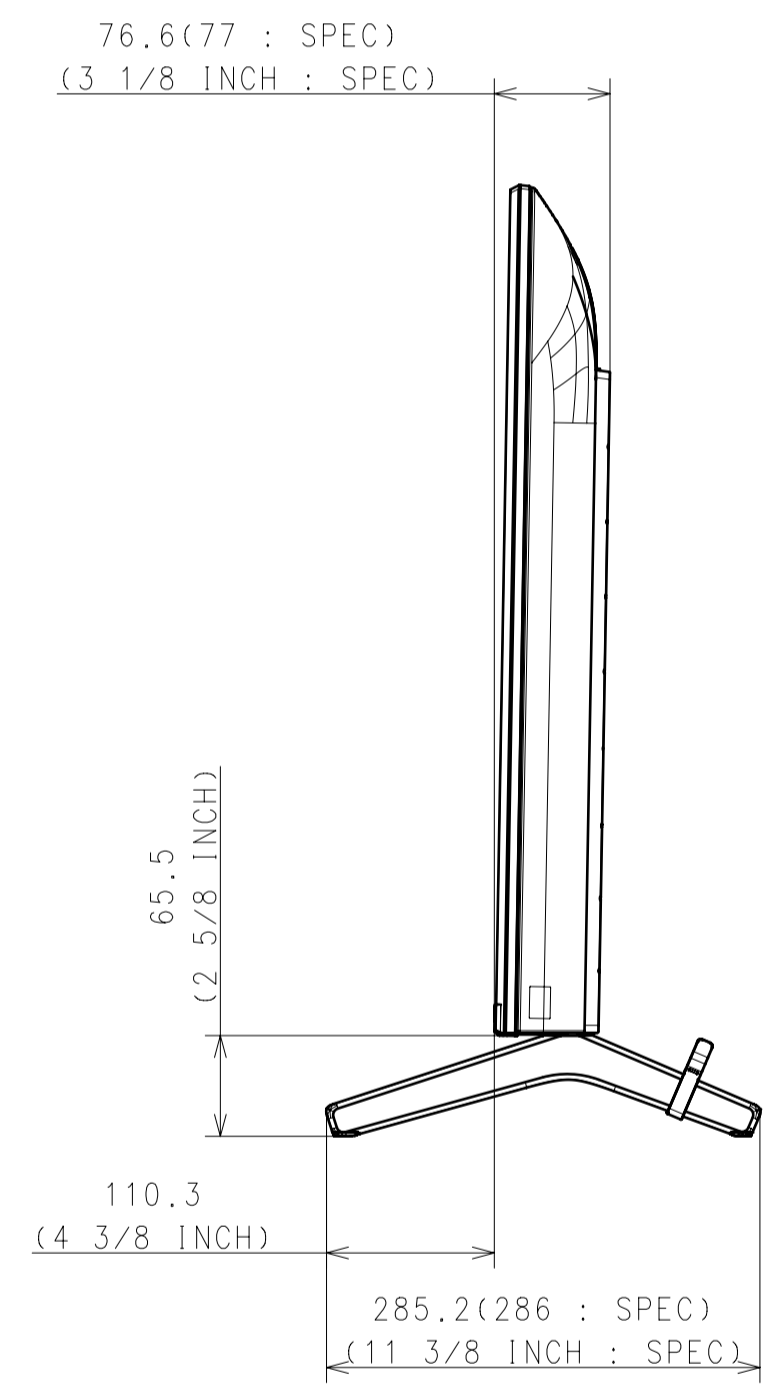
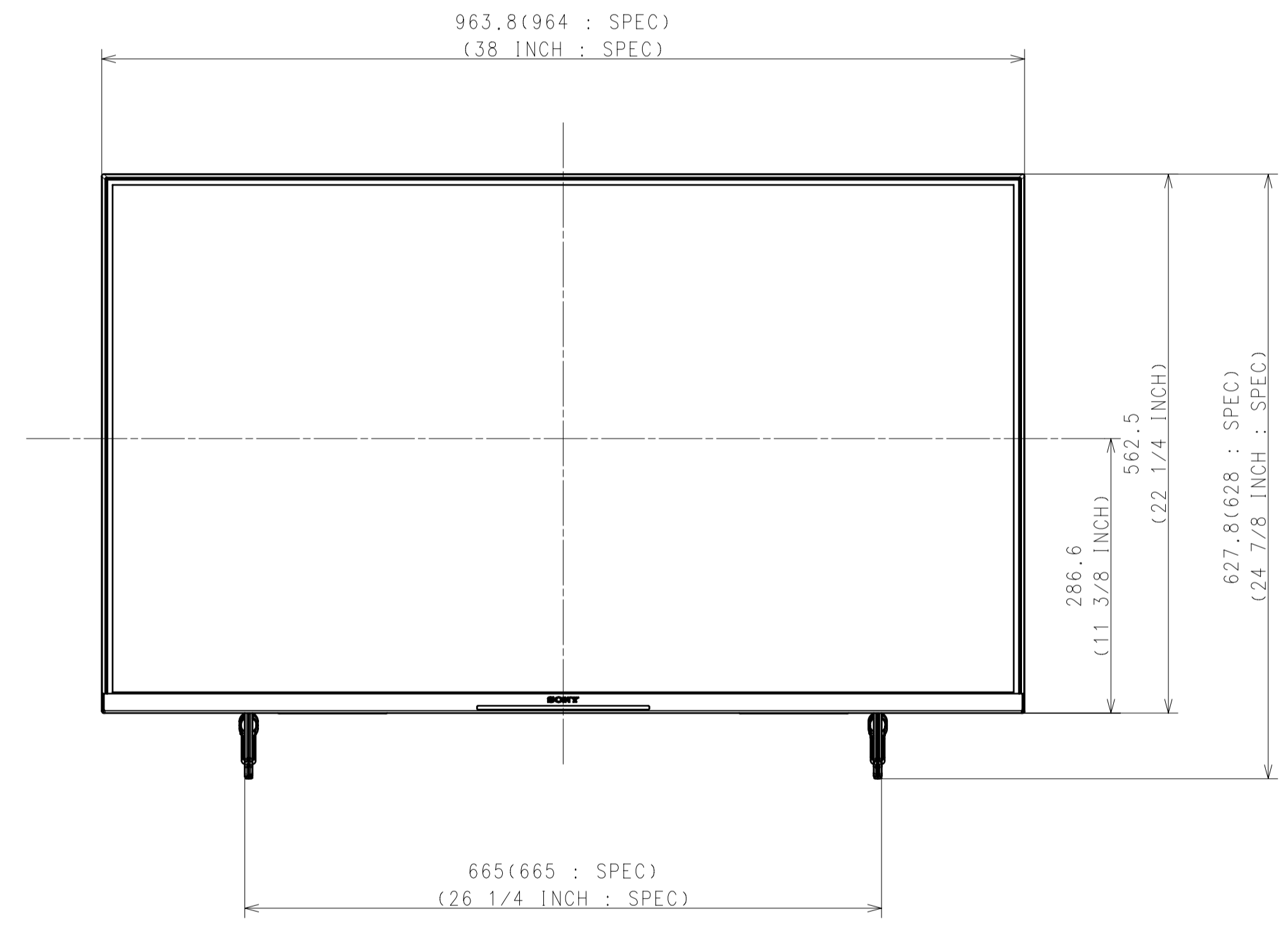
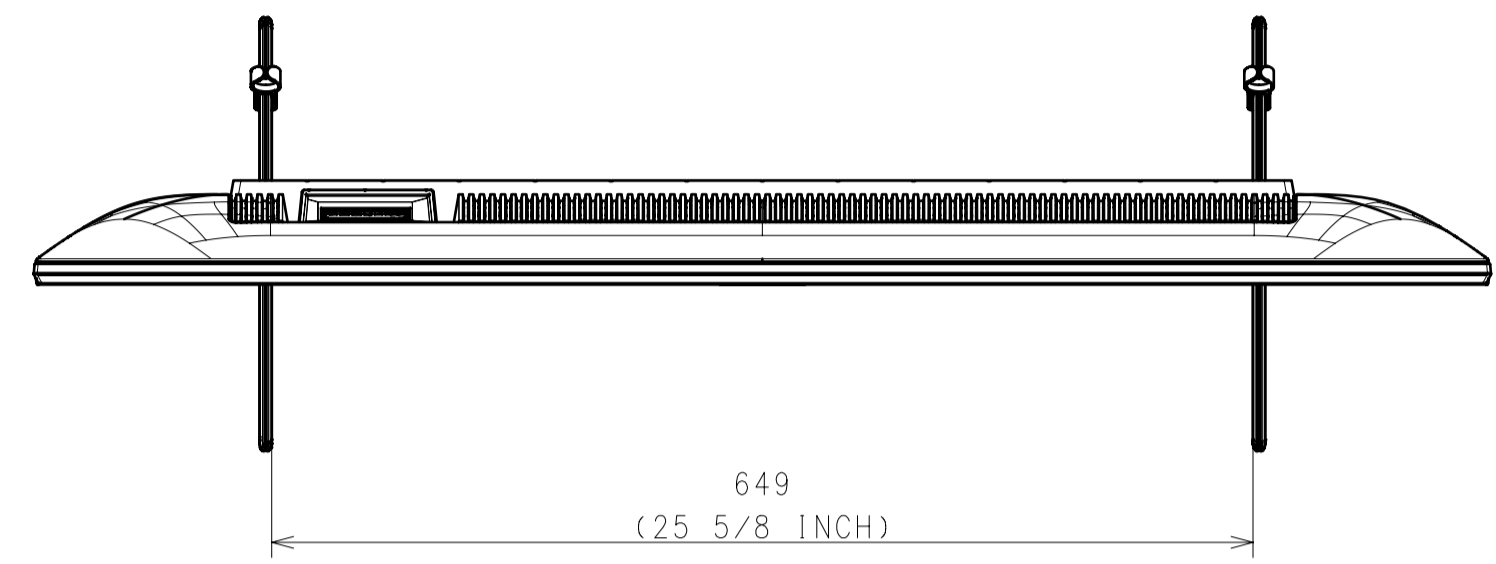
MAIN STAND (STANDARD POSITION)  
Except KD-43X85K (NORTH AMERICA)



HISTORY 1. 2021.10.28 2. 2021.10.28 3. 2021.10.28		SUFFIX A1		RELEASE NO. DATE		REVISION		SIGN.		GENERAL TOLERANCE DATE OF ISSUE 2021.10.28 DOCUMENT TYPE ASSEMBLY TOLERANCING DRAWING (JIS & ISO/IEC 8015)	
RESPONSIBLE DEPARTMENT PLANNED BY 2021.10.28 SIZED - D53 MECH		DESIGNED BY 2021.10.28 SIZED - D53 MECH		CHECKED BY 2021.10.28 SIZED - D53 MECH		APPROVED BY 2021.10.28 SIZED - D53 MECH		SCALE 1:5		TENTATIVE MODEL 43 (X85K) EXTERIOR VIEW	
ORIGINAL MODEL 43 (X85K) EXTERIOR VIEW		DESCRIPTION 43 (X85K) EXTERIOR VIEW		SIZE A1		UNIT mm		SHEET/PAGES 1/4		MATERIAL COLOR FINISH COLOR	

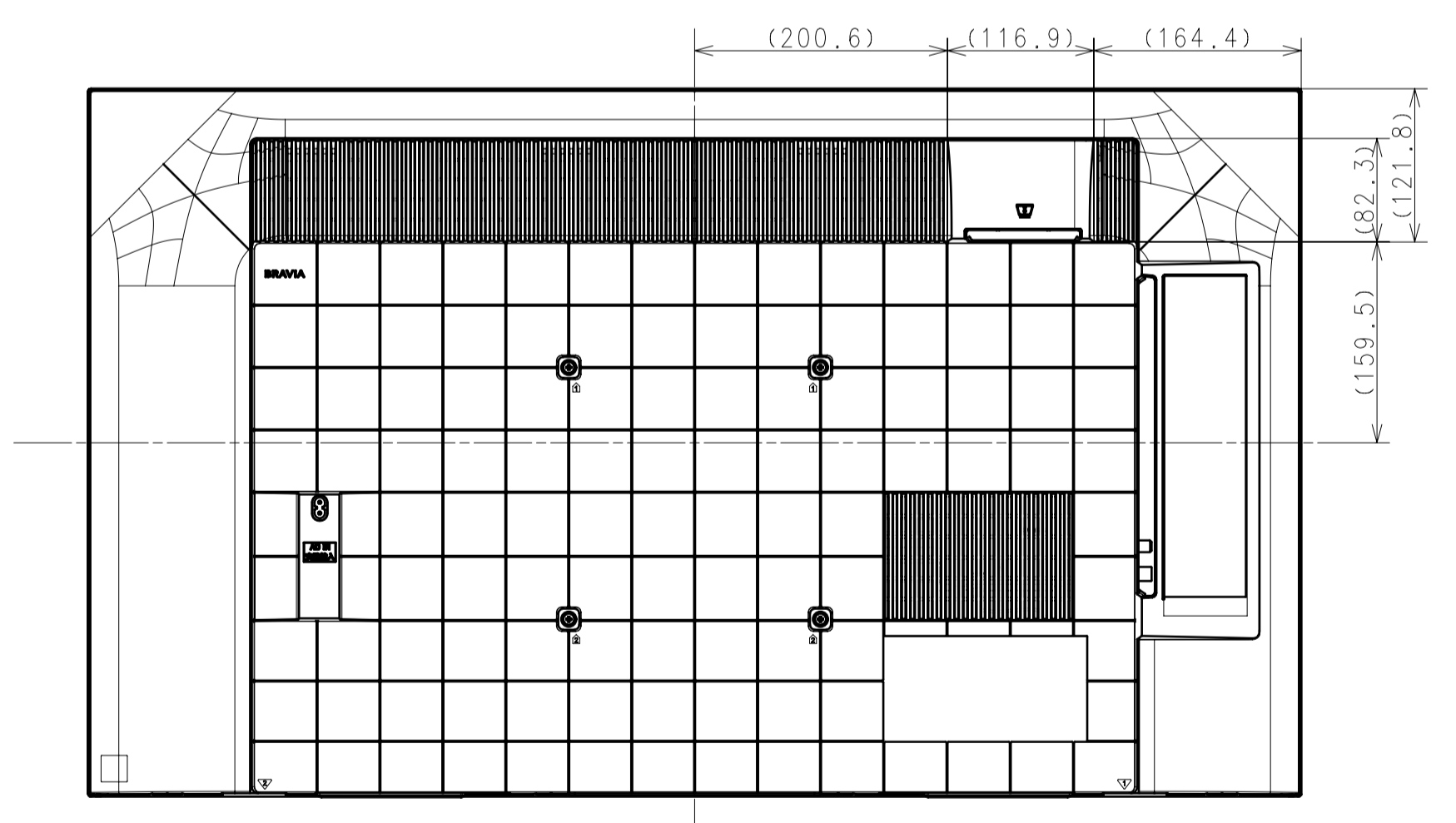
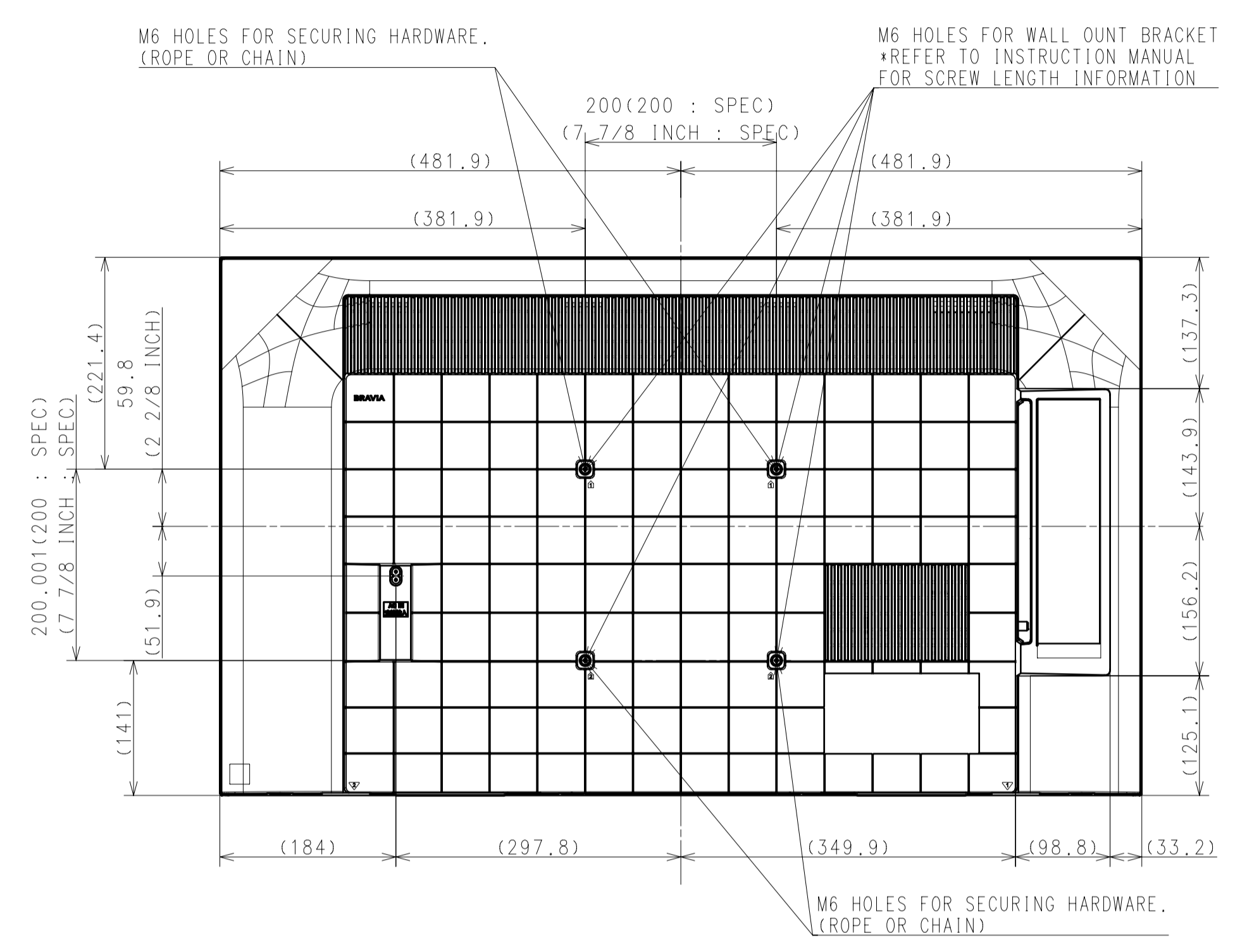
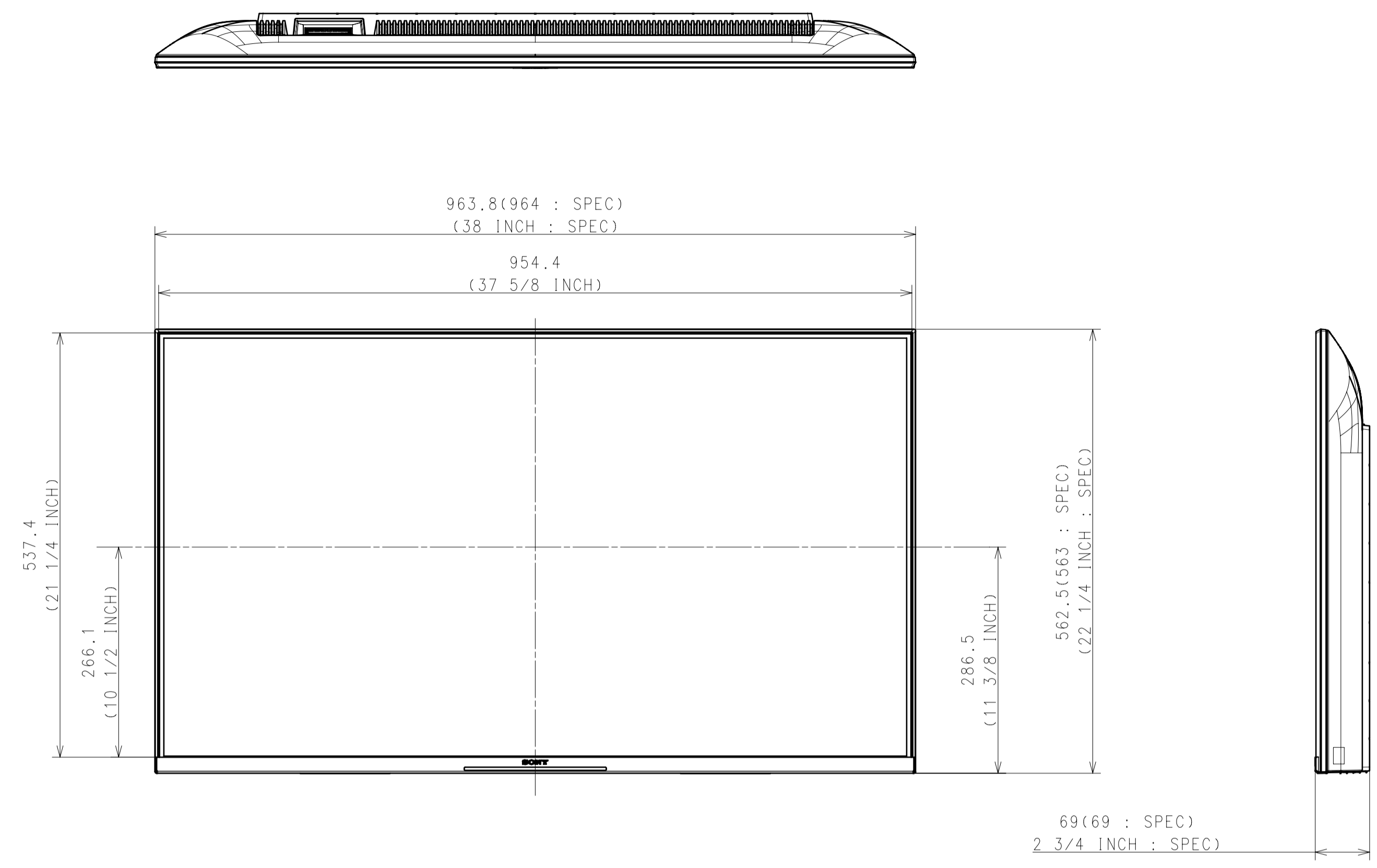
WITH STAND

MAIN STAND (APH)  
STANDARD POSITION  
KD-43X85K (NORTH AMERICA) only



DESCRIPTION	LEGAL OWNER	SCALE
43 (X85K) EXTERIOR VIEW	Sony Corporation	1:5
DESCRIPTION	PART NO.	SHEET/PAGES
43 (X85K) EXTERIOR VIEW		2 / 4

WITHOUT STAND



FOR EUROPE

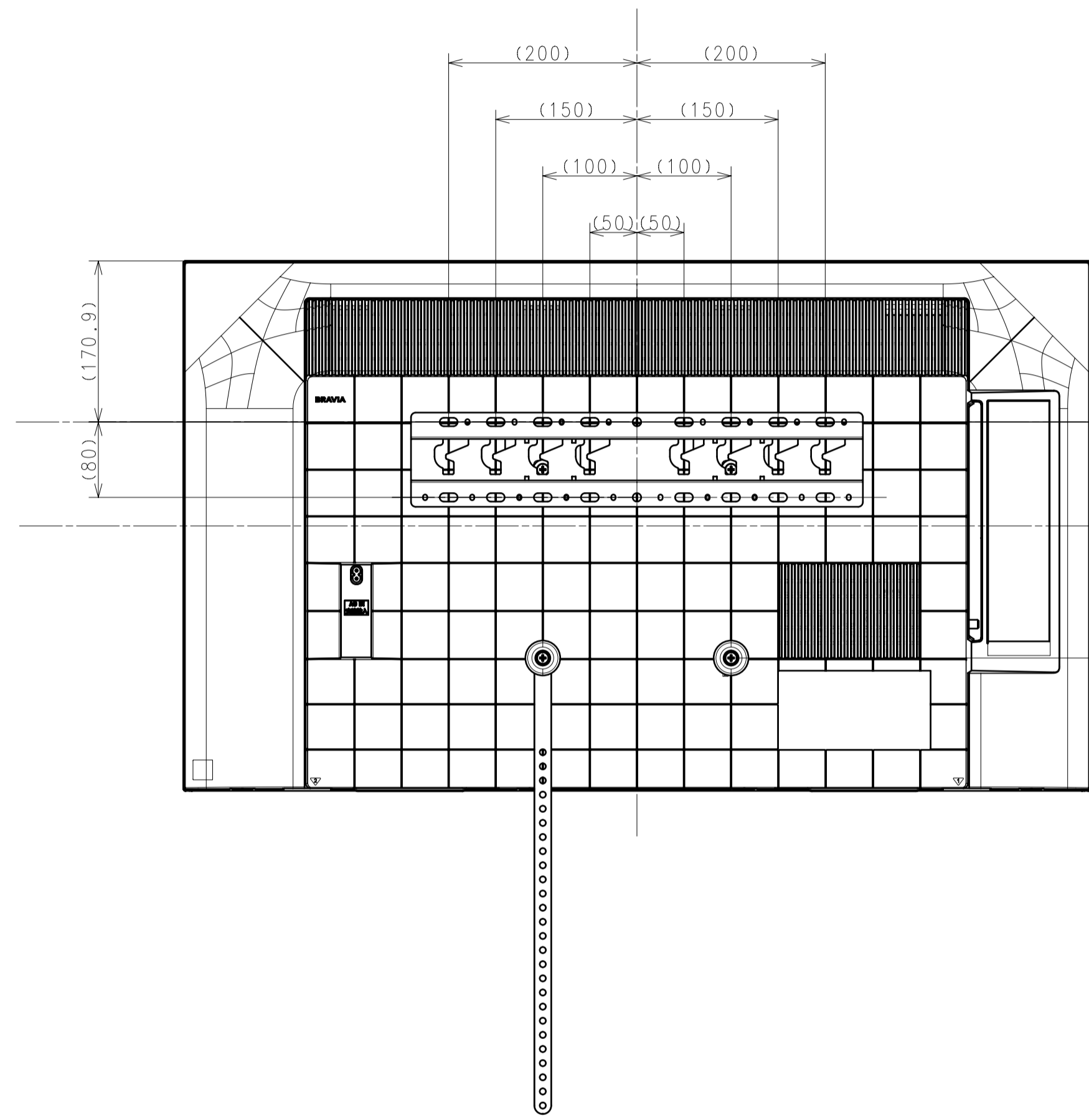
FOR JAPAN, GENERAL AREA, NORTH AMERICA

DESCRIPTION	LEGAL OWNER	SCALE
43 (X85K) EXTERIOR VIEW	Sony Corporation	1:5
DESCRIPTION	PART NO.	SHEET/PAGES
43 (X85K) EXTERIOR VIEW		3 / 4

SU-WL450

STANDARD

SLIM

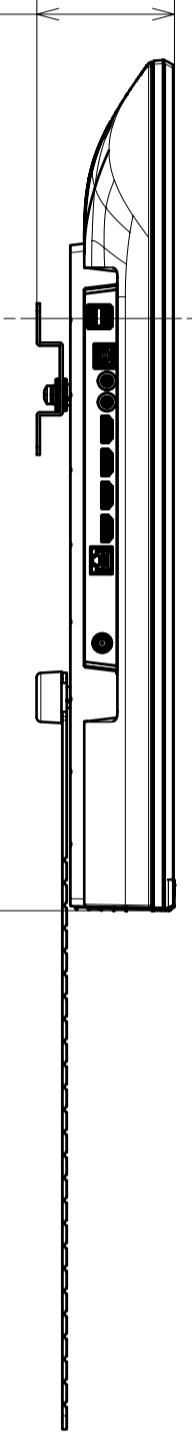
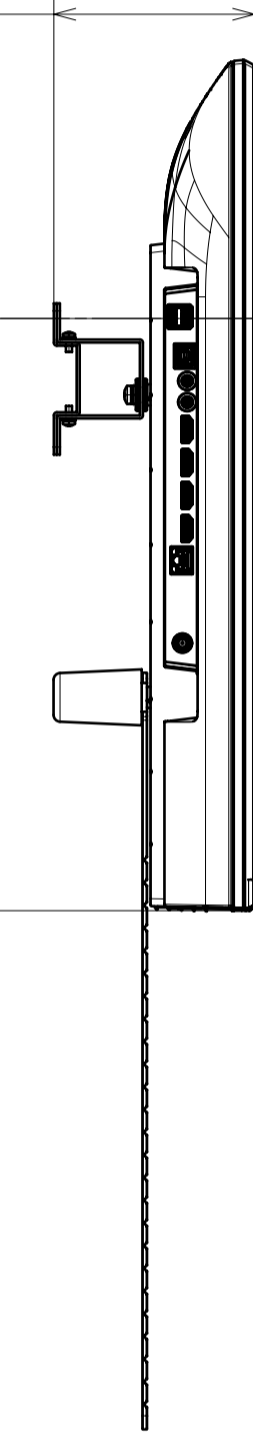


132.8(133 : SPEC)  
(5 1/4 INCH : SPEC)

91(91 : SPEC)  
(3 5/8 INCH : SPEC)

391.5(392 : SPEC)  
(15 1/2 INCH : SPEC)

391.5(392 : SPEC)  
(15 1/2 INCH : SPEC)



DRAWING

SONY STANDARD

DESCRIPTION	LEGAL OWNER	SCALE
43 (X85K) EXTERIOR VIEW	Sony Corporation	1:5
DESCRIPTION	PART NO.	SHEET/PAGES
43 (X85K) EXTERIOR VIEW		4 / 4