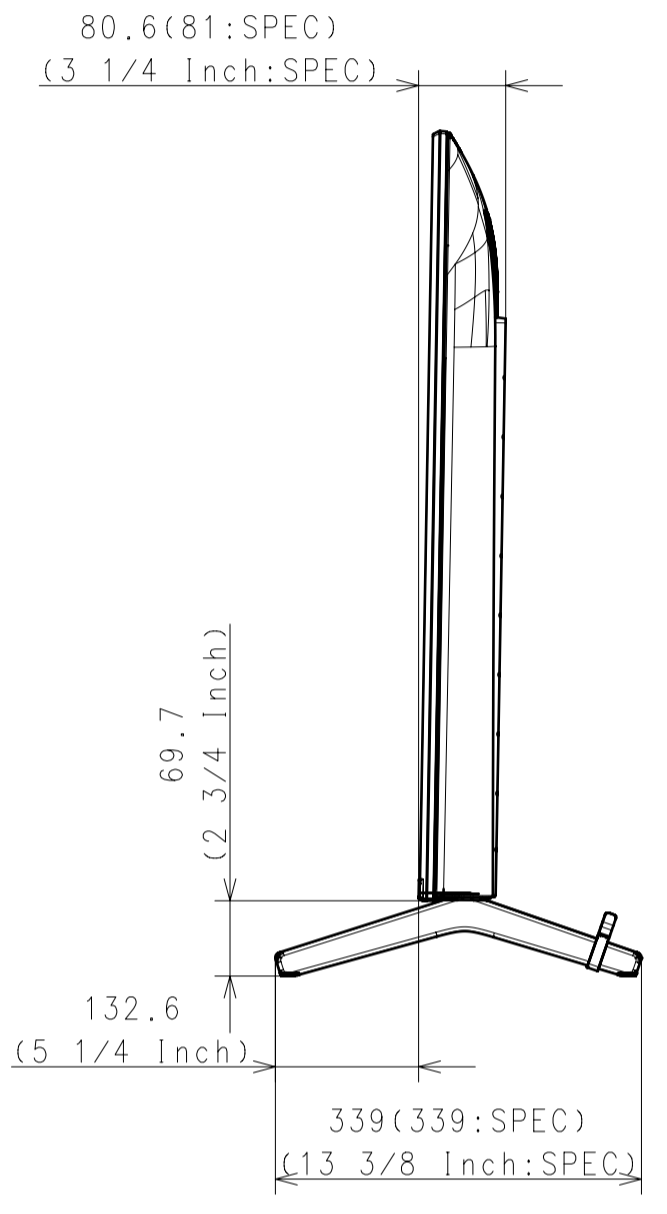
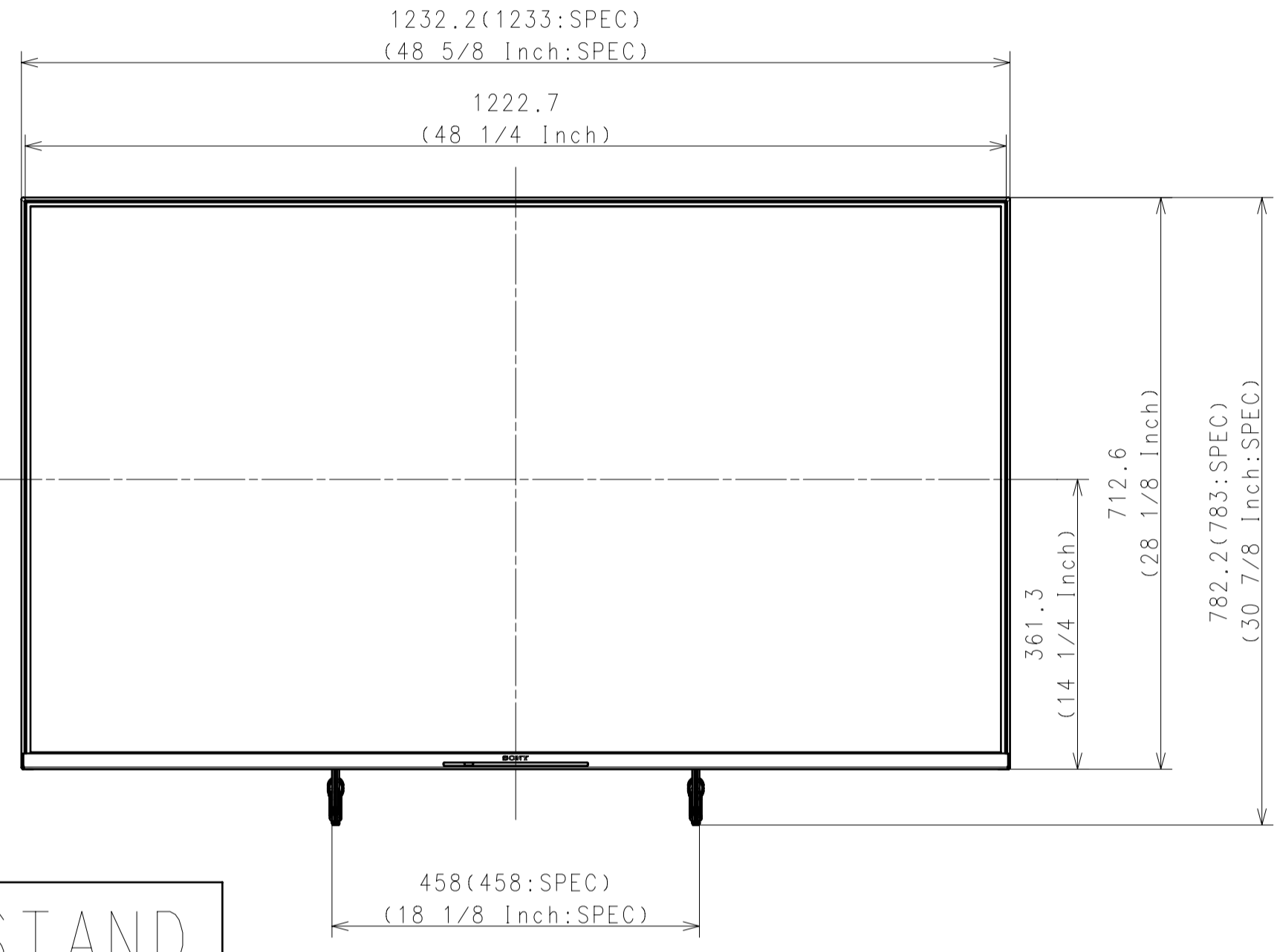
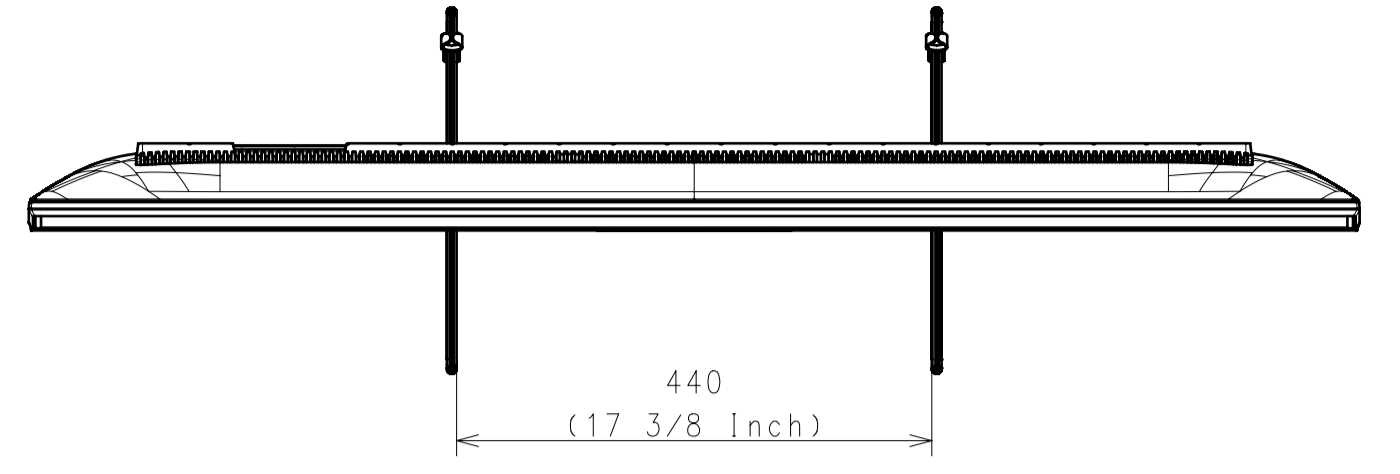


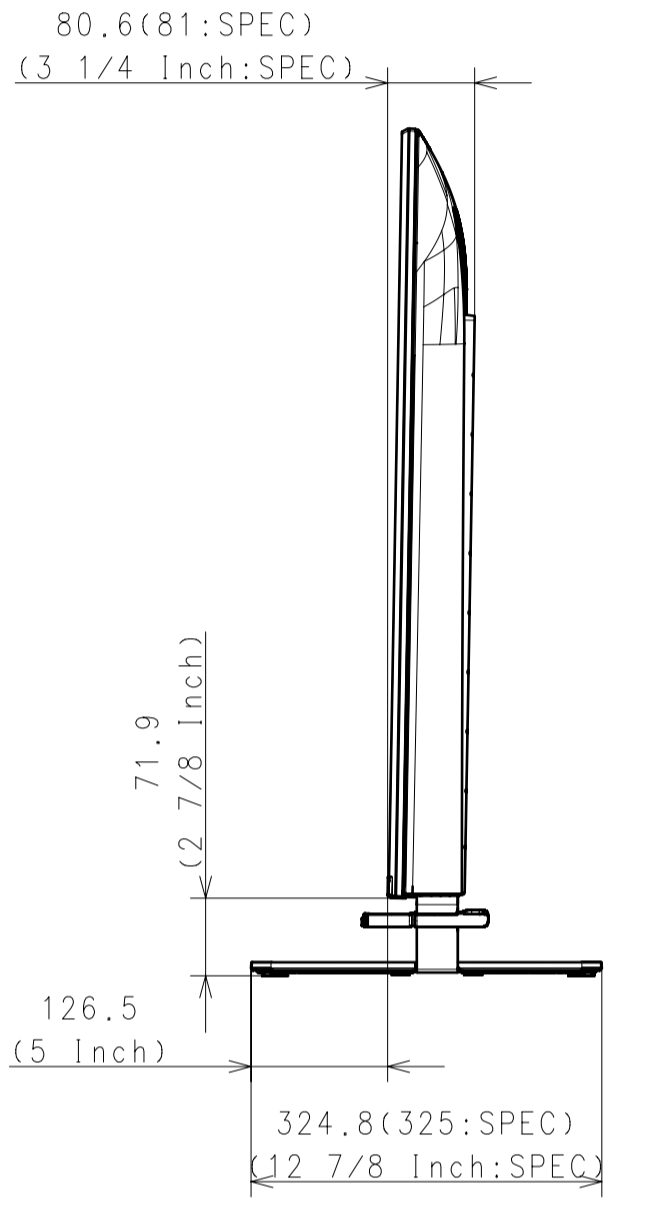
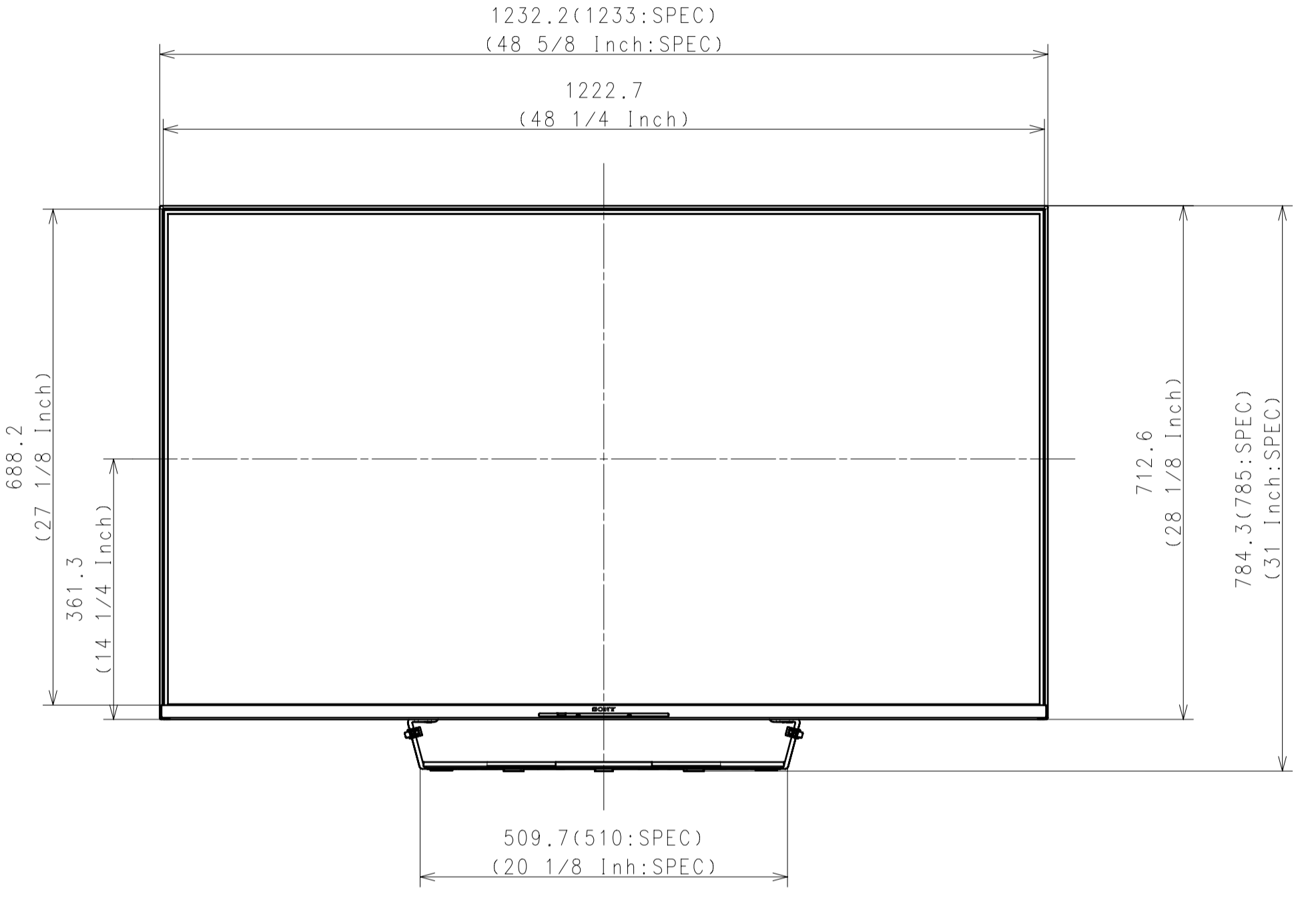
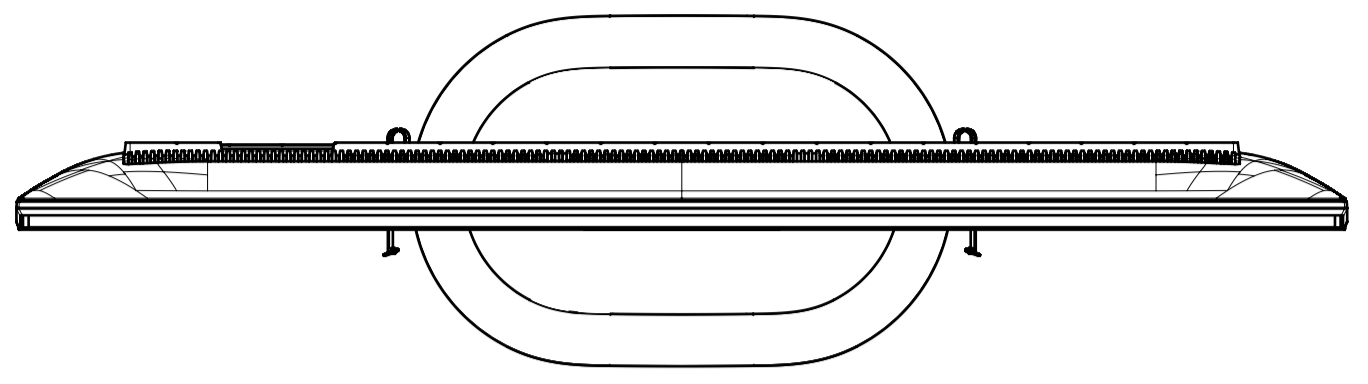
WITH STAND

NARROW POSITION
KD-55X80K (EUROPE)



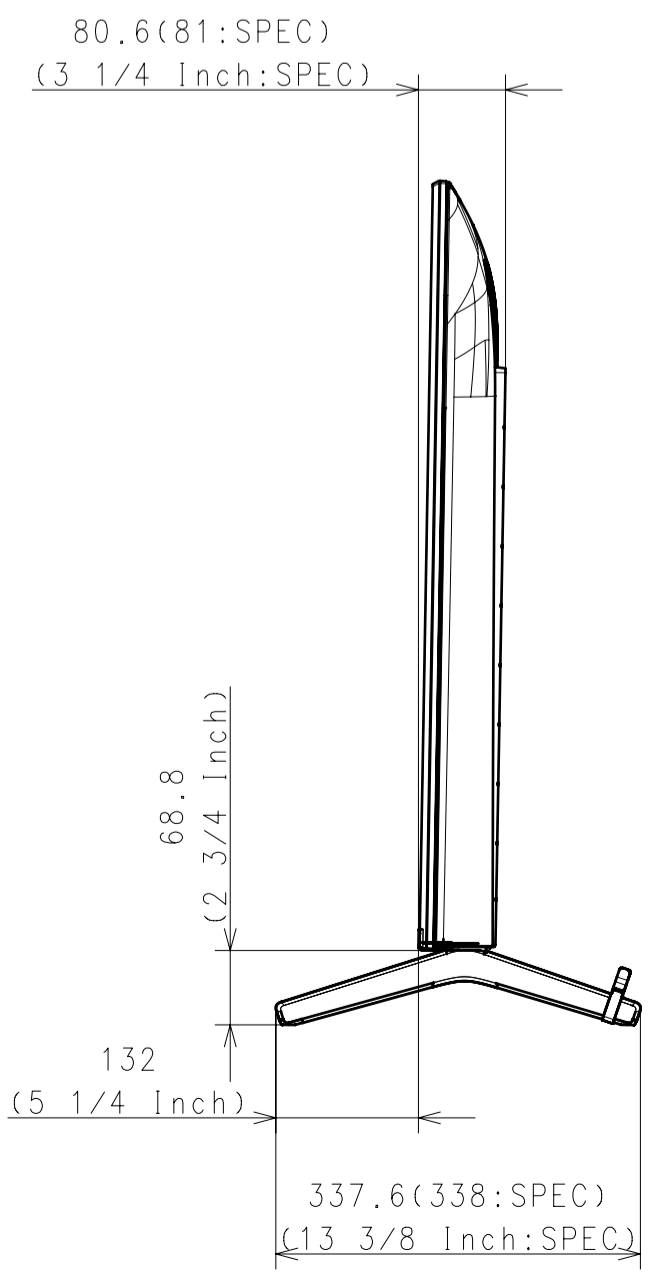
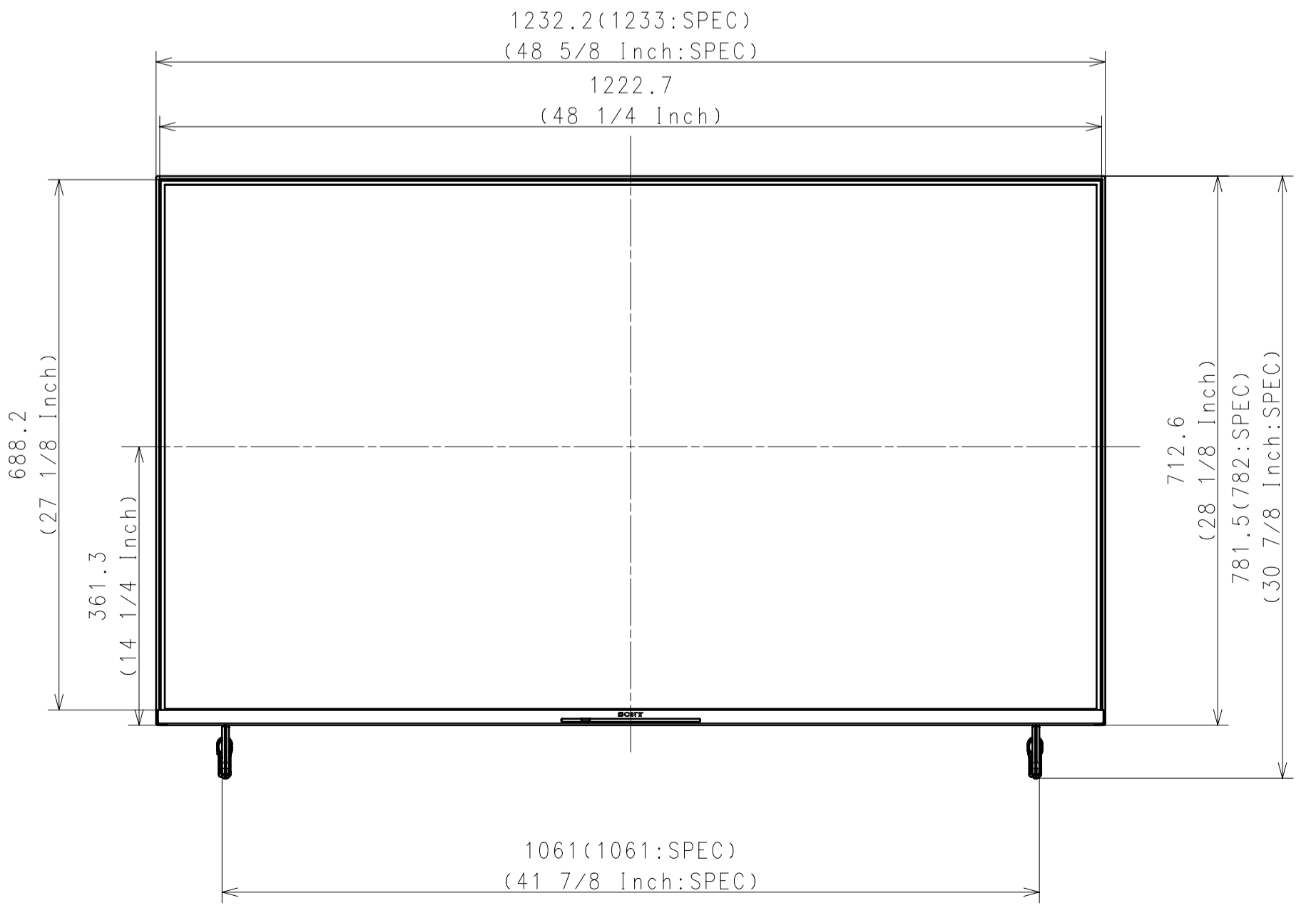
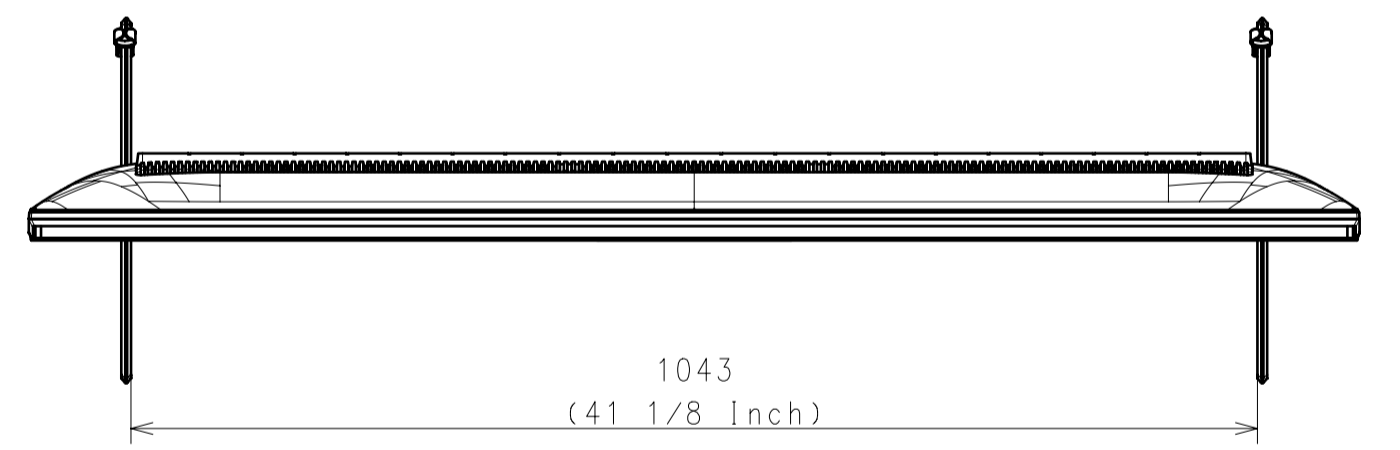
WITH STAND

CENTER POSITION
KD-55X82K(EUROPE DERIVATIVE1 only)



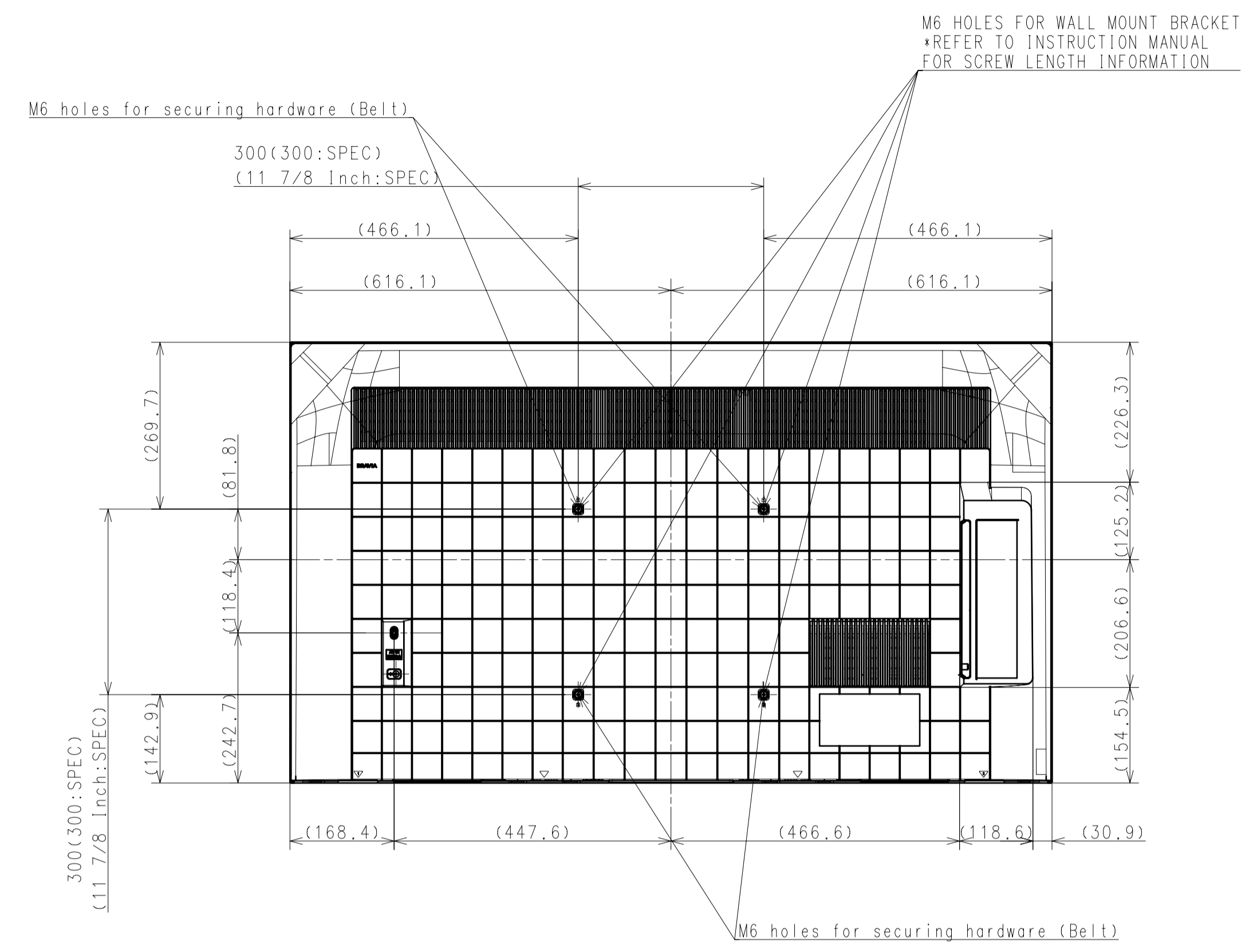
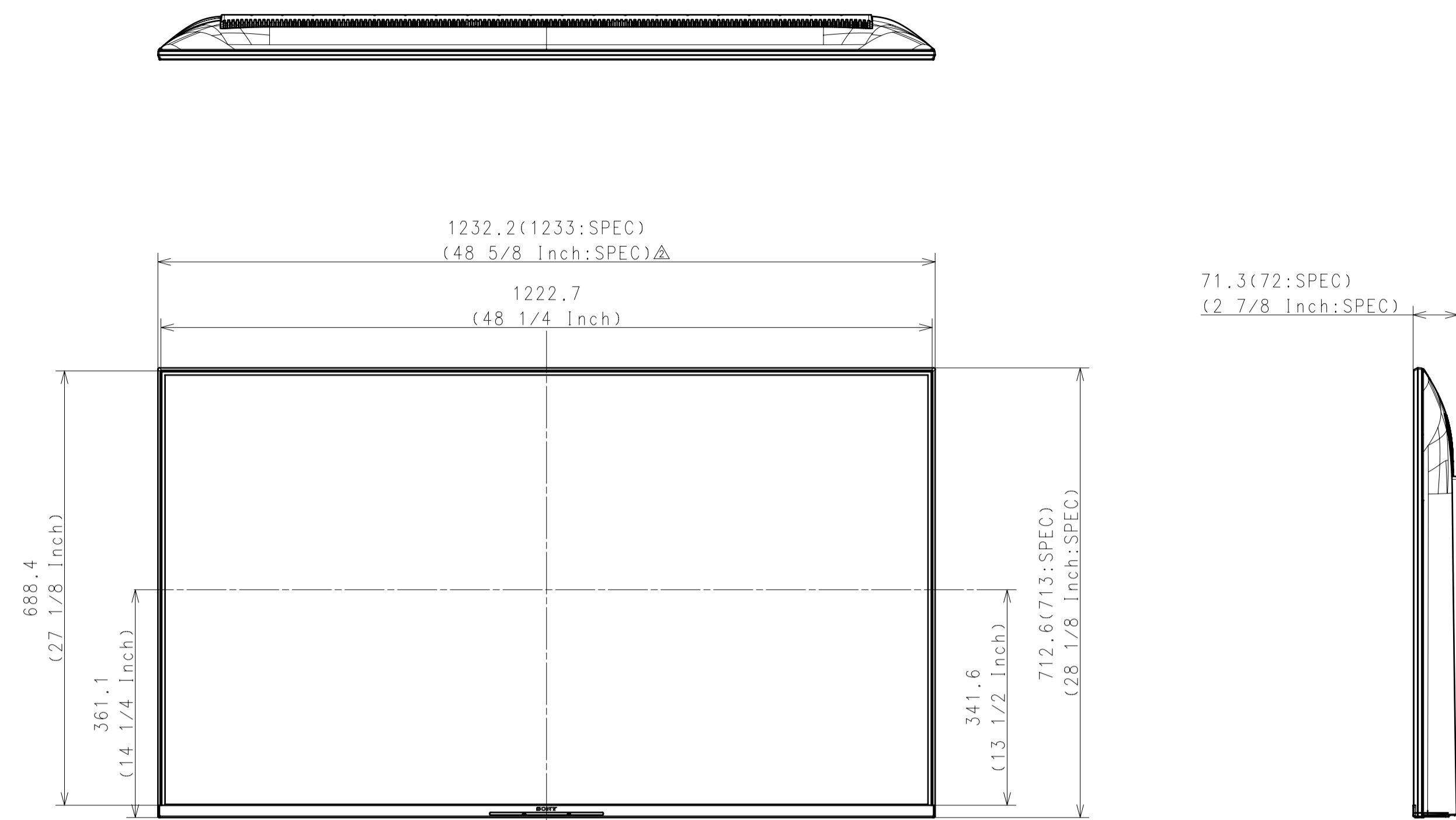
WITH STAND

MAIN STAND (APH)
STANDARD POSITION
KD-55X80K NORTH AMERICA , LATIN AMERICA

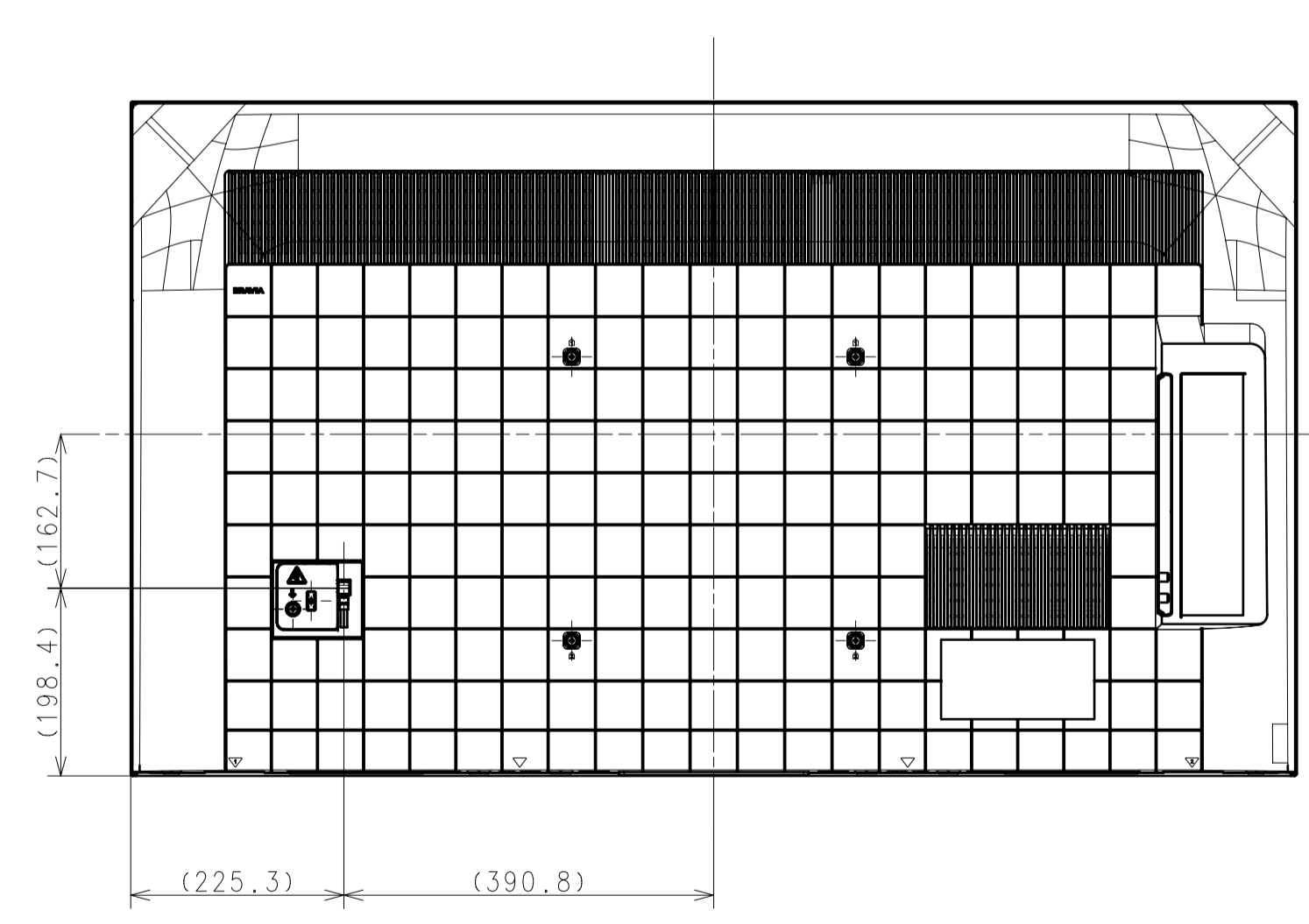


DESCRIPTION 1	LEGAL OWNER	SCALE
55 (X80K) EXTERIOR VIEW	Sony Corporation	1:7
DESCRIPTION 2	PART NO.	SHEET/PAGES
55 (X80K) EXTERIOR VIEW		2 / 5

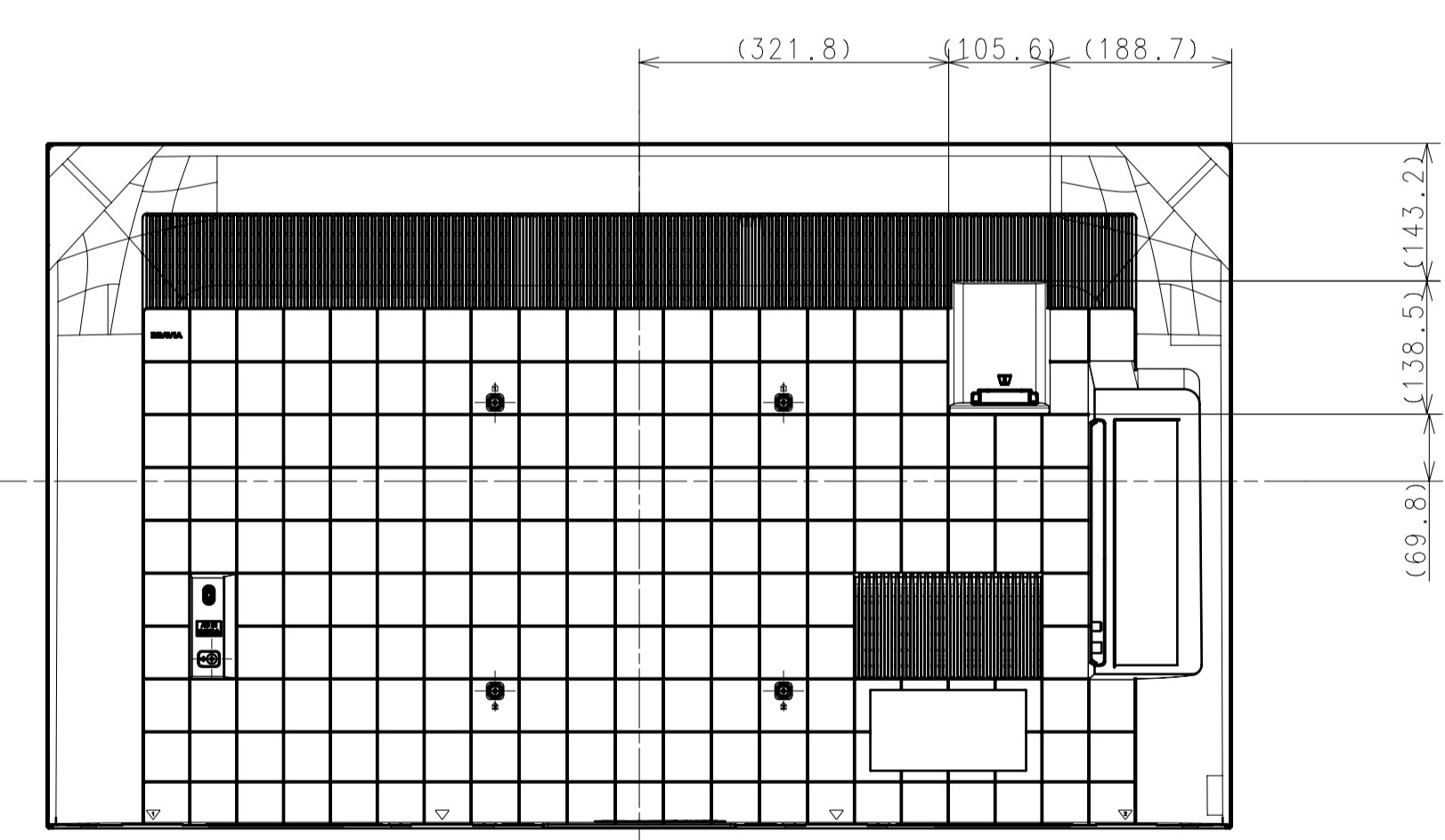
WITHOUT STAND



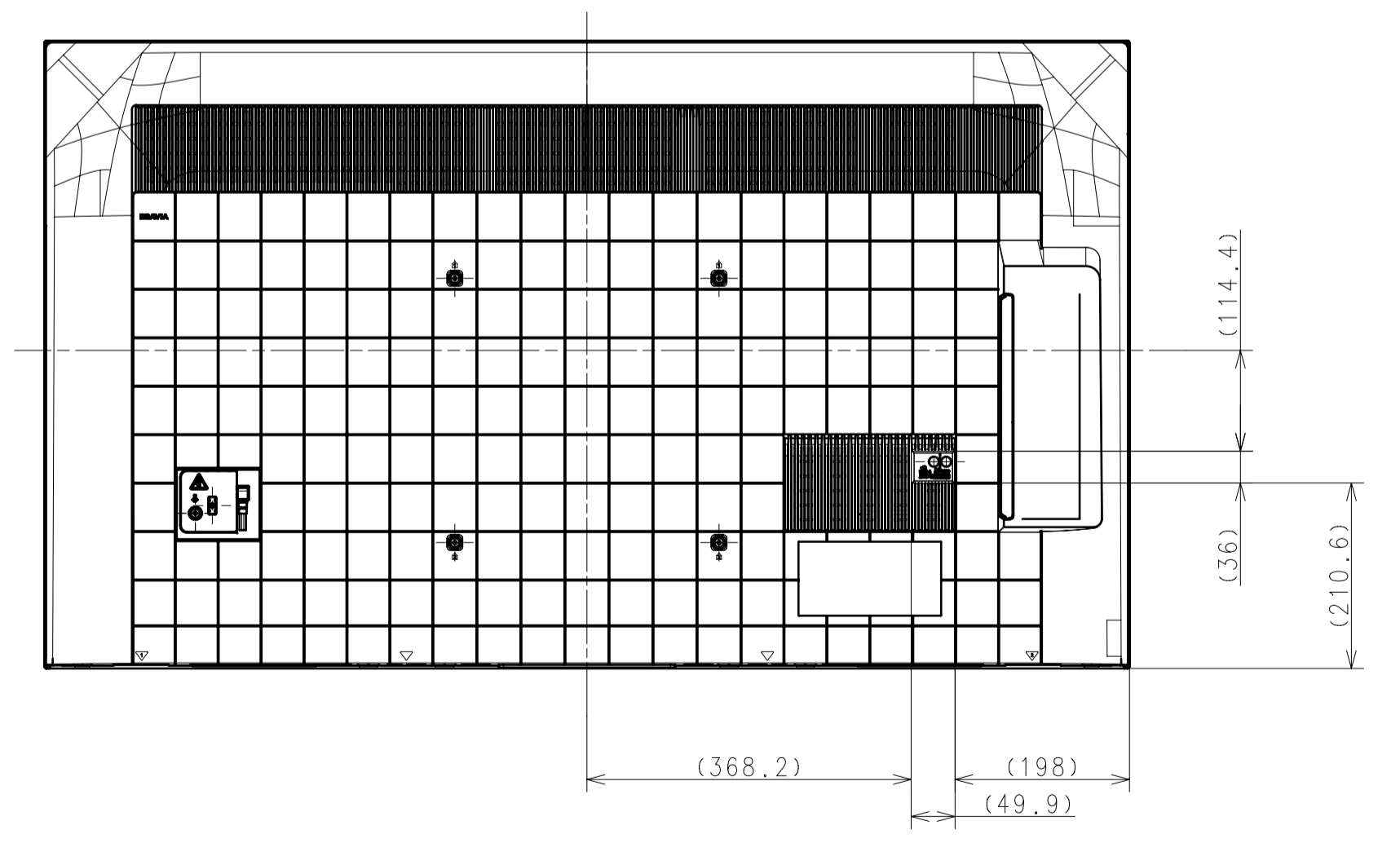
For. NORTH AMERICA, GENERAL AREA, CHINA



For. LATIN AMERICA



For. EUROPE, EUROPE2
EUROPE DERIVATIVE1



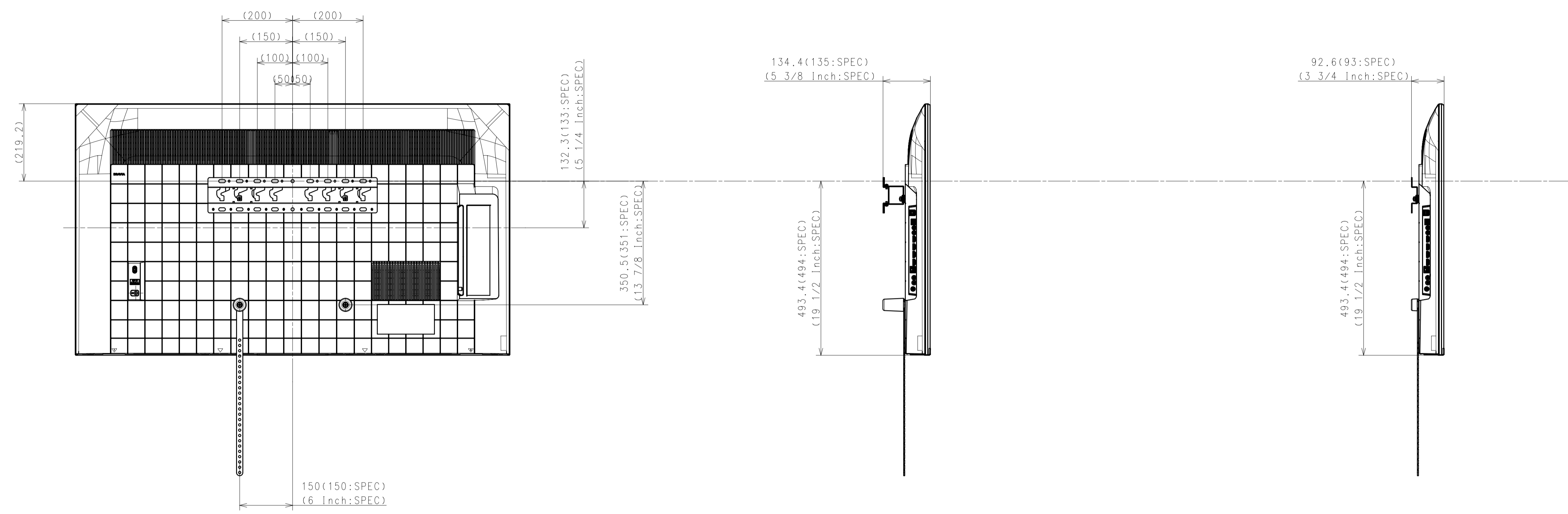
For. JAPAN

DESCRIPTION 1	LEGAL OWNER	SCALE
55 (X80K) EXTERIOR VIEW	Sony Corporation	1:7
DESCRIPTION 2	PART NO.	SHEET/PAGES
55 (X80K) EXTERIOR VIEW		3 / 5

SU-WL450

STANDARD

SLIM

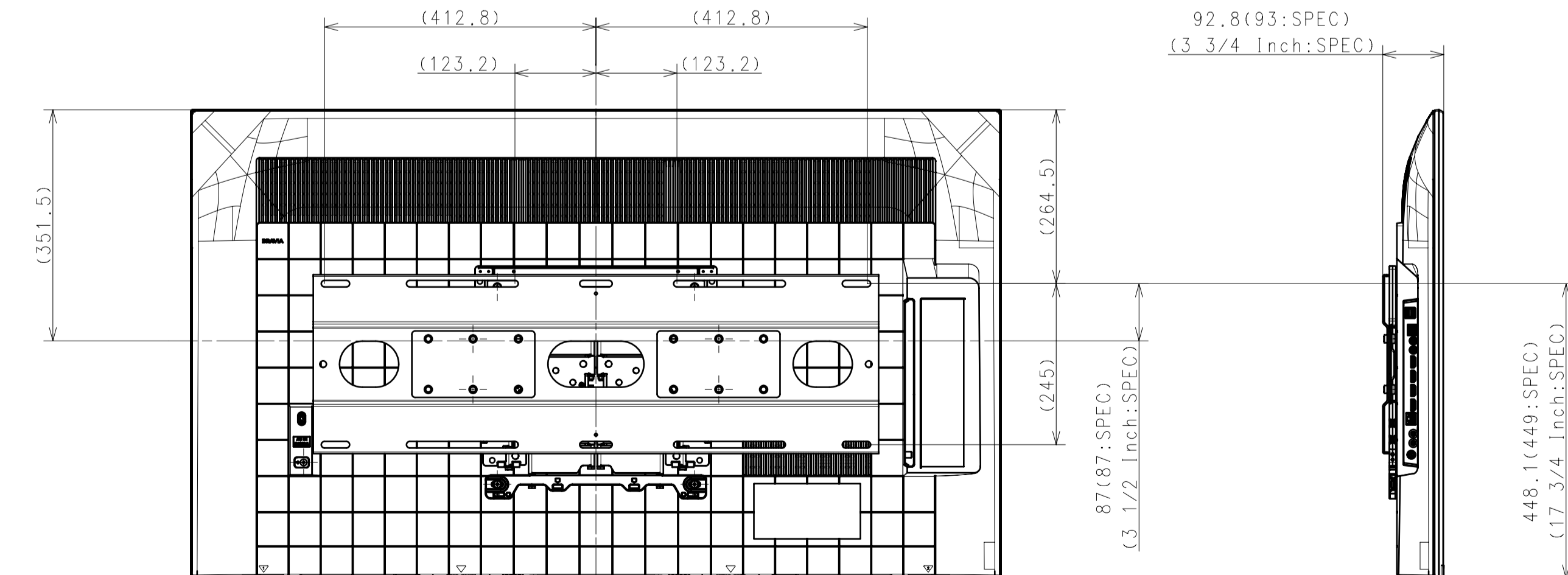
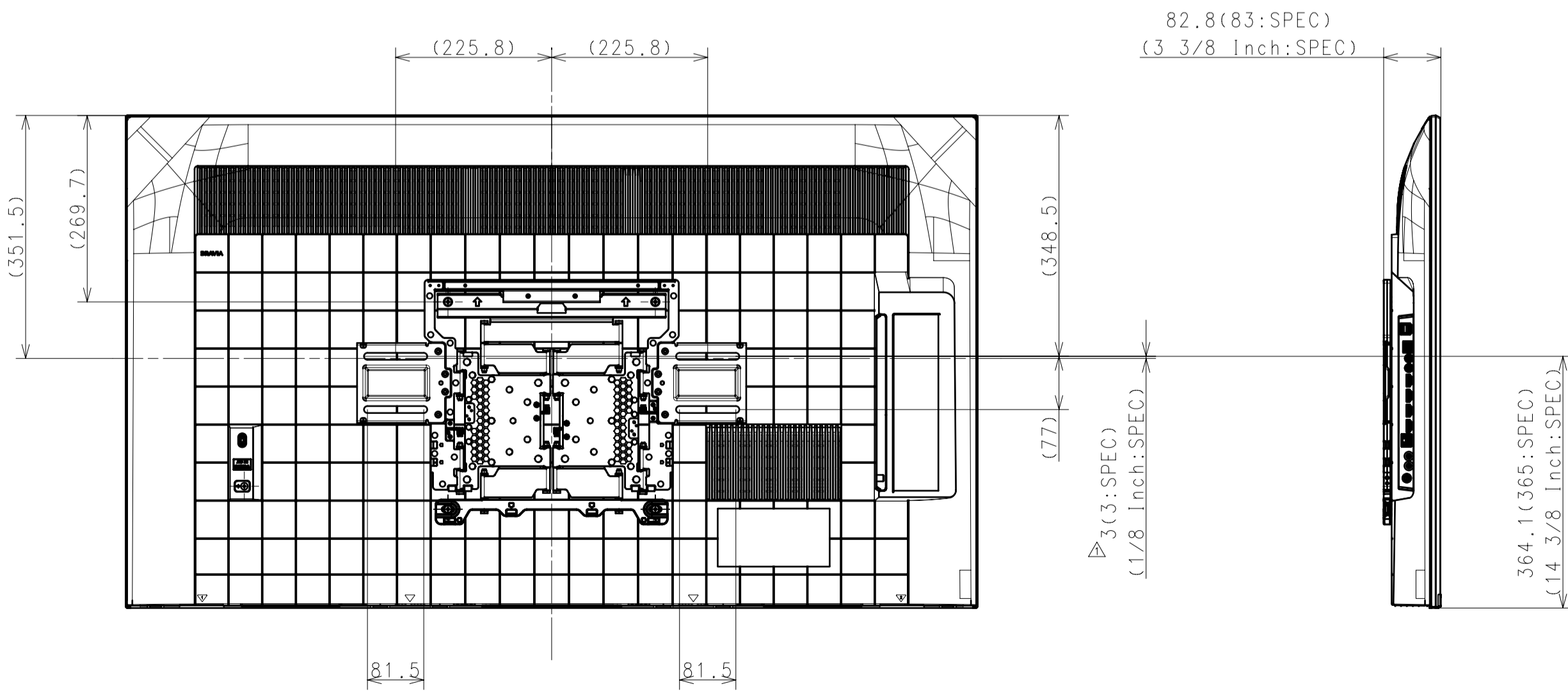
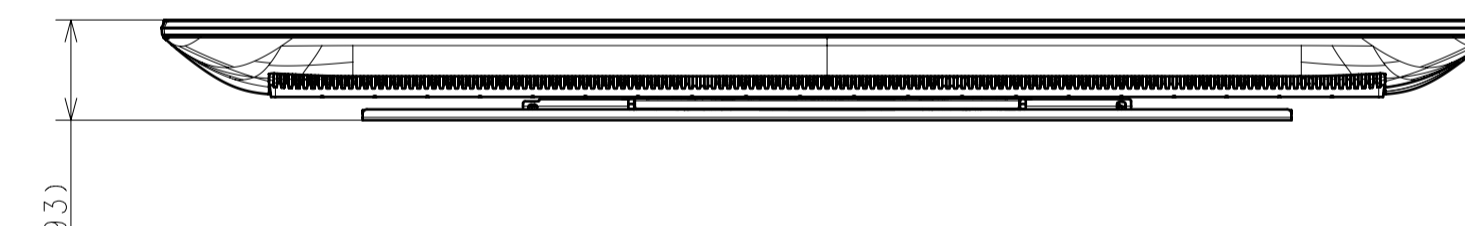
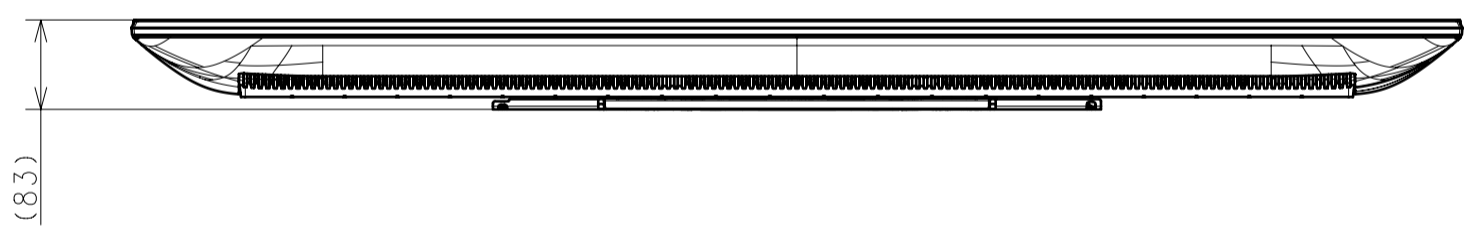
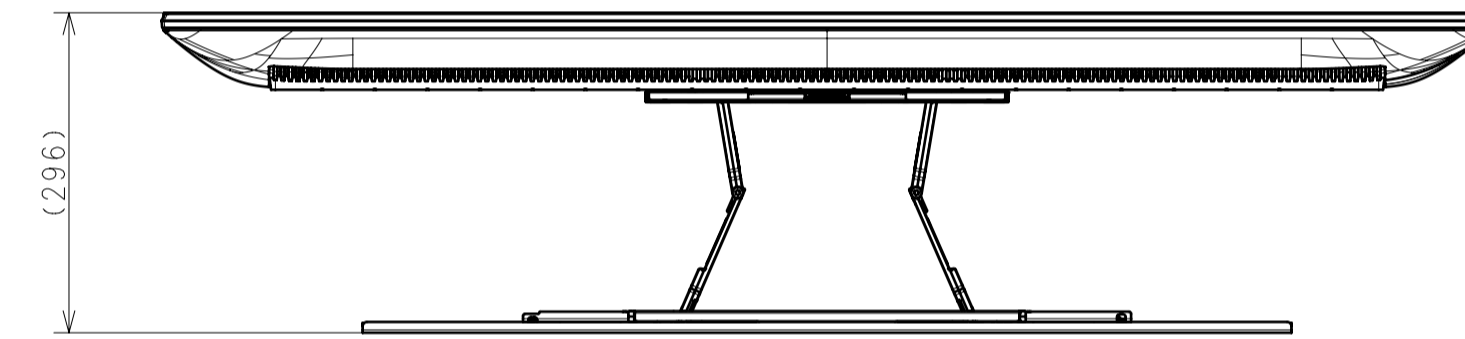
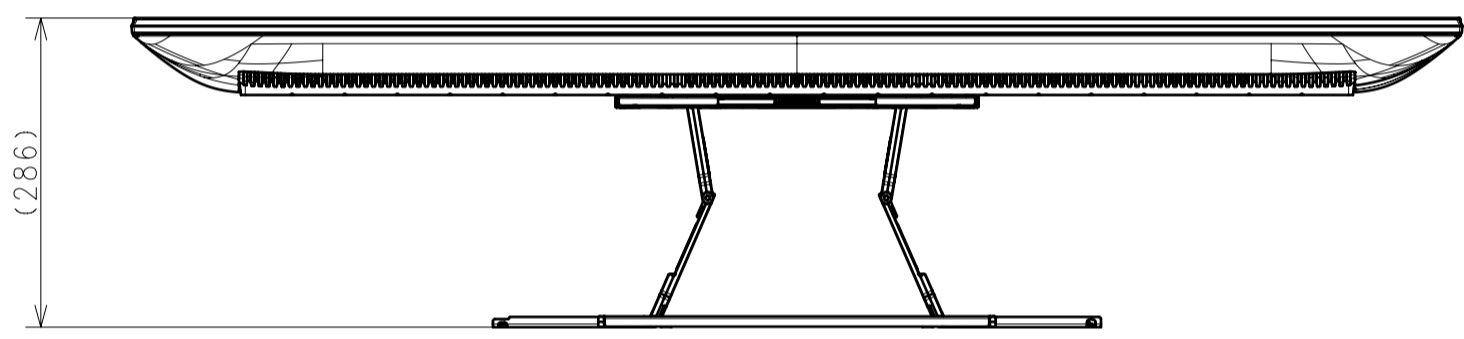
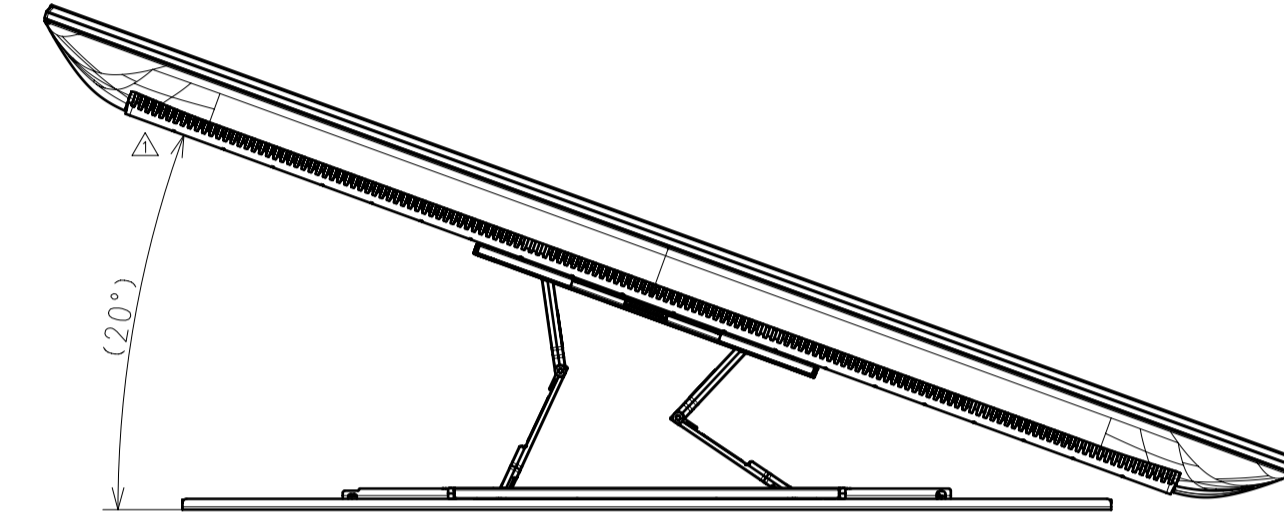
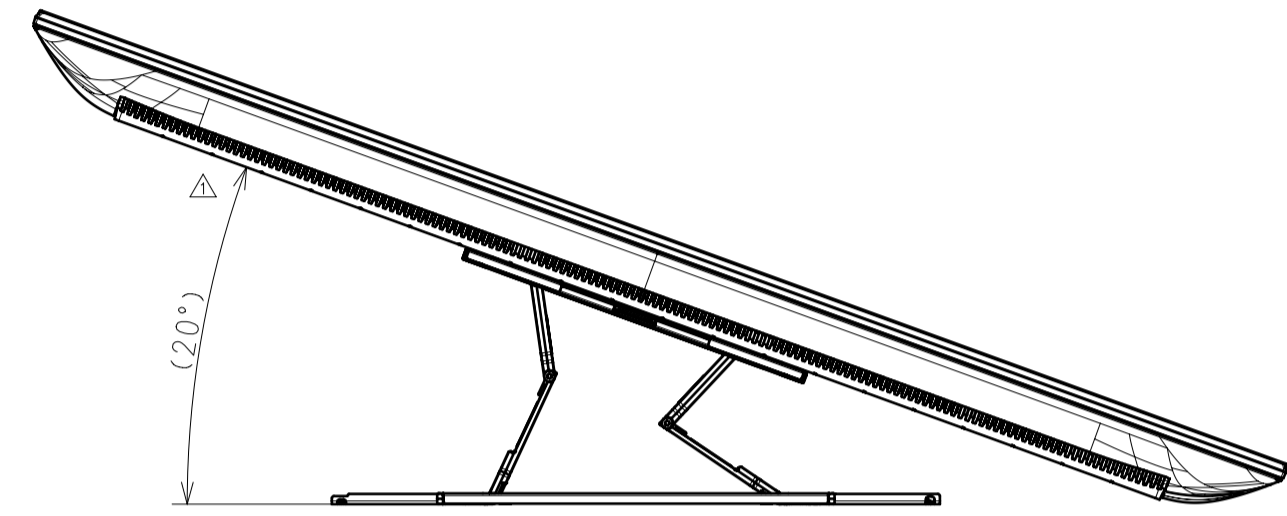
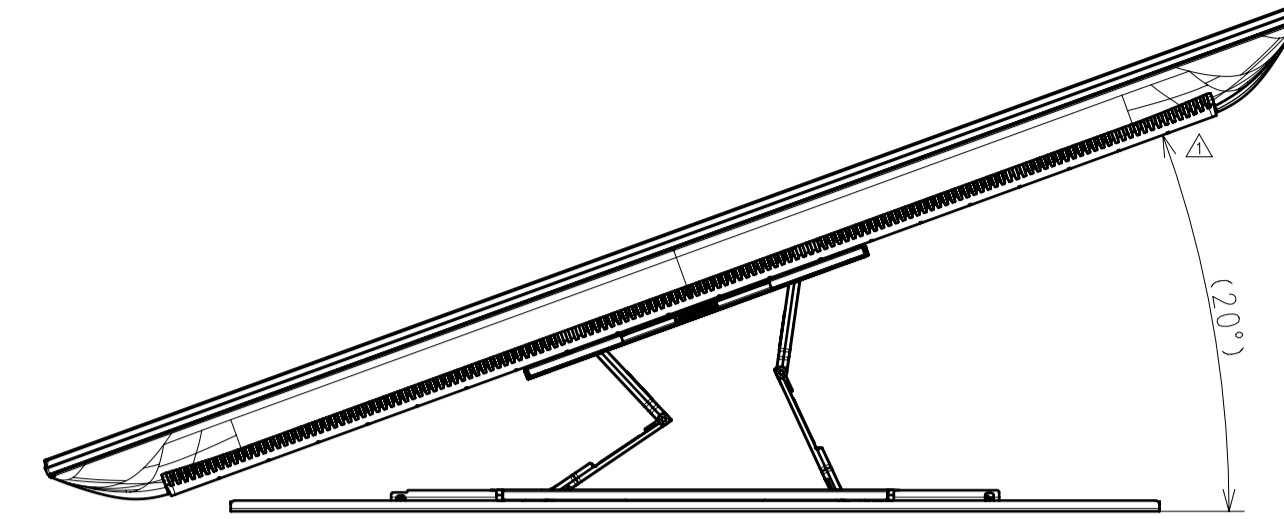
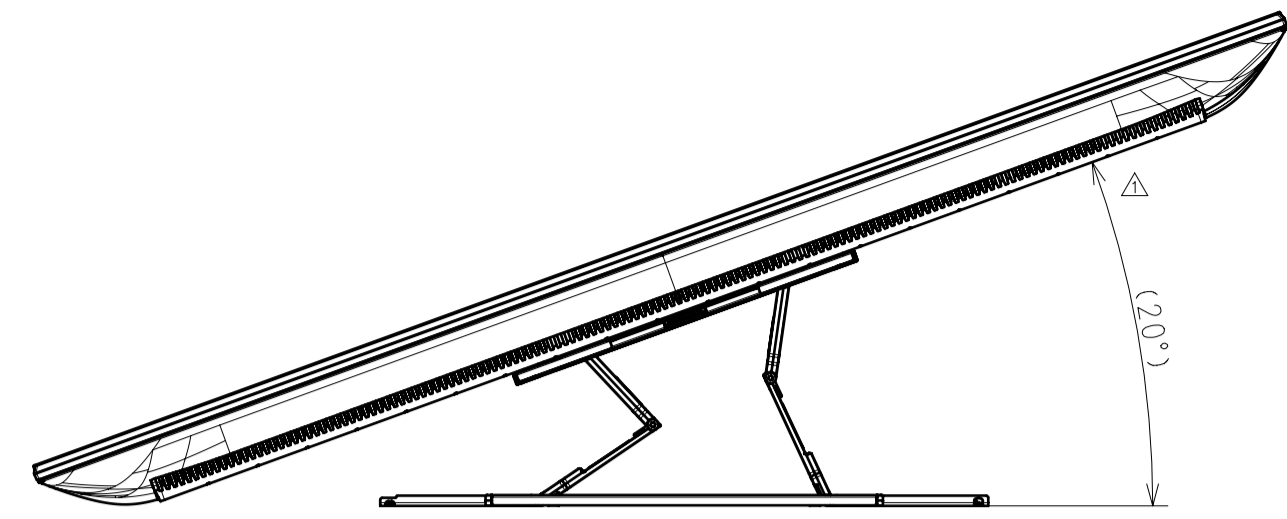


SONY STANDARD

DESCRIPTION	LEGAL OWNER	SCALE
55 (X80K) EXTERIOR VIEW	Sony Corporation	1:7
DESCRIPTION	PART NO.	SHEET/PAGES
55 (X80K) EXTERIOR VIEW		4 / 5

SU-WL 850

SU-WL 855 WITH LATERAL SHAFT BRACKET



DESCRIPTION 1	55 (X80K) EXTERIOR VIEW	LEGAL OWNER	Sony Corporation	SCALE	1:7
DESCRIPTION 2	55 (X80K) EXTERIOR VIEW	PART NO.		SHEET/PAGES	5 / 5