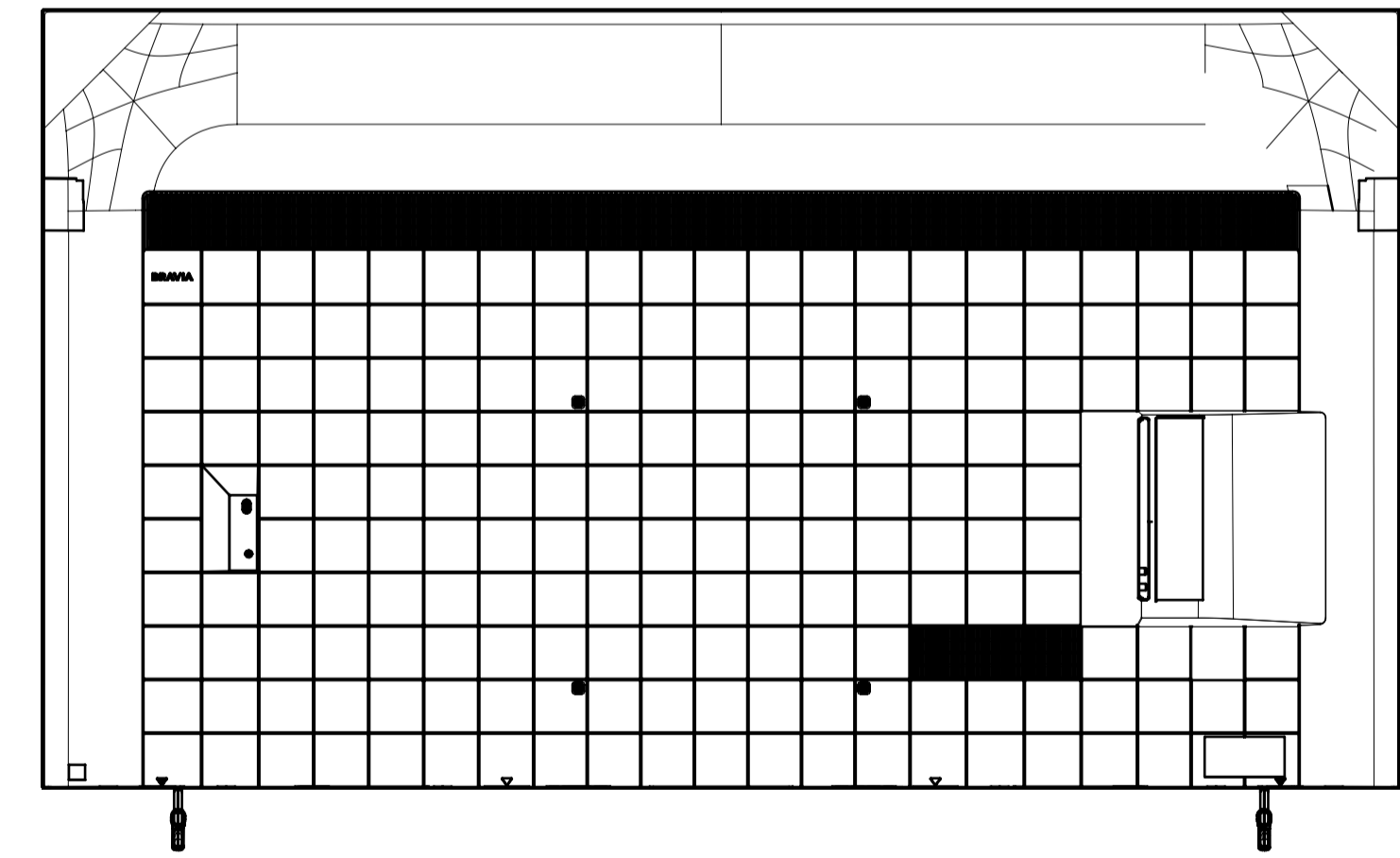
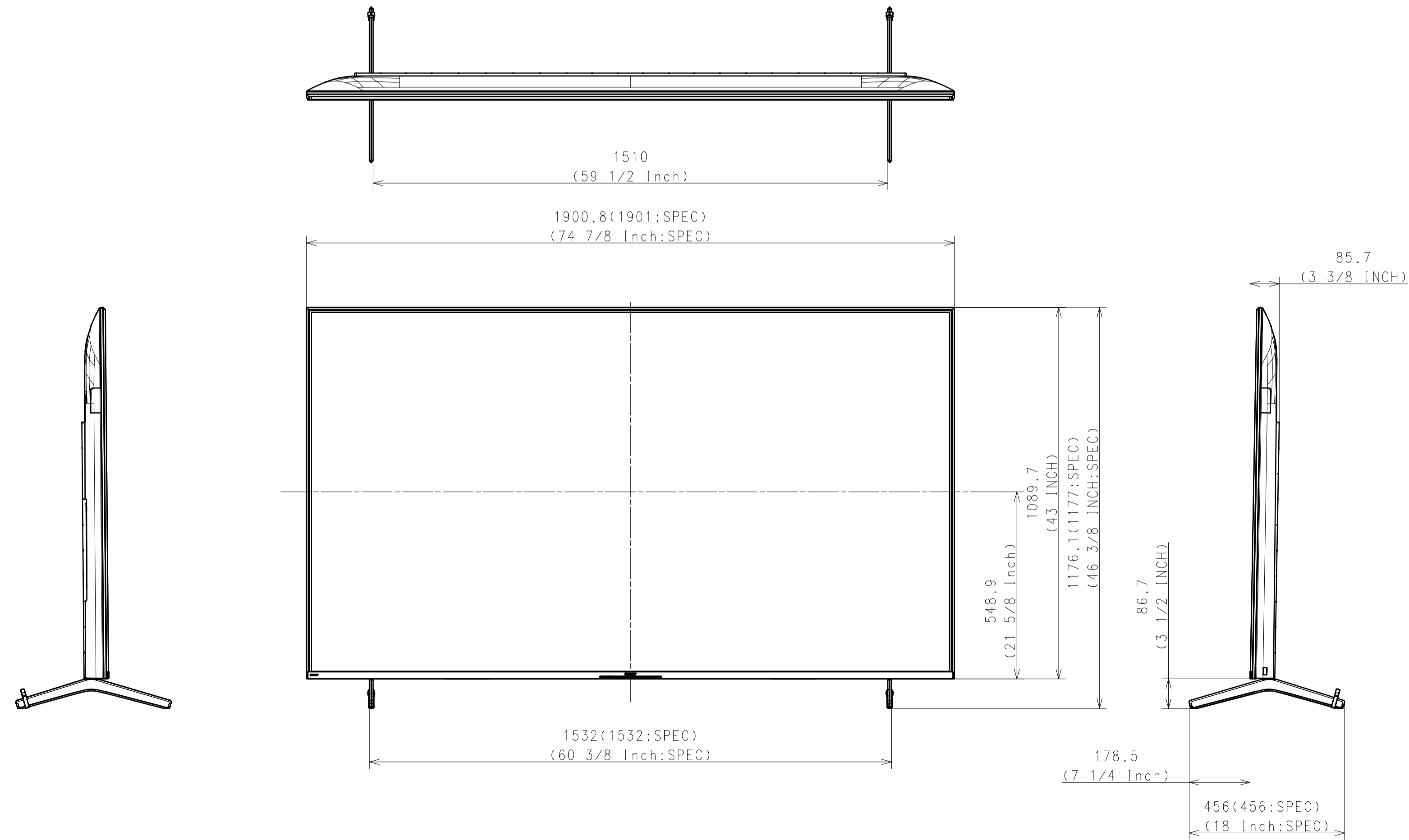


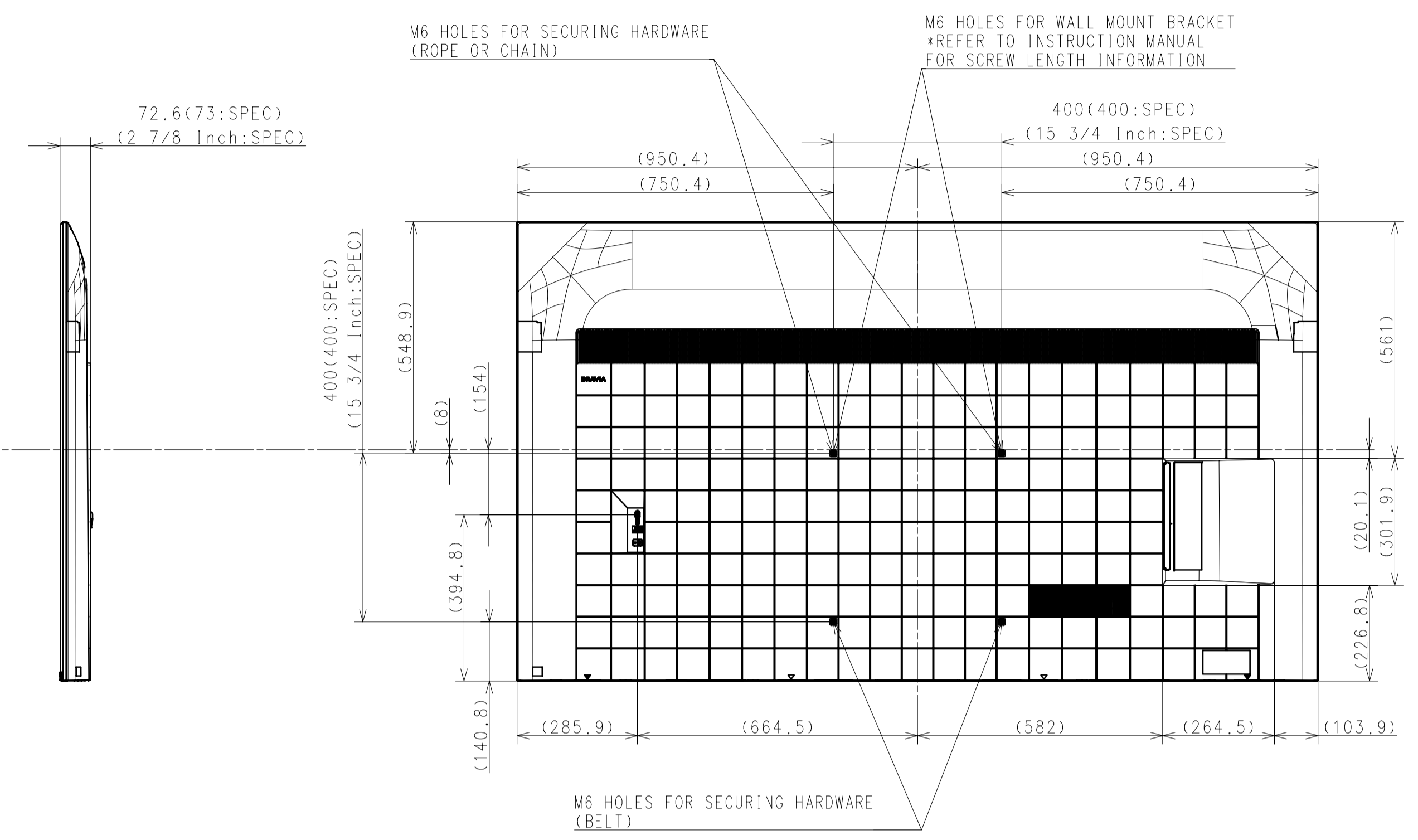
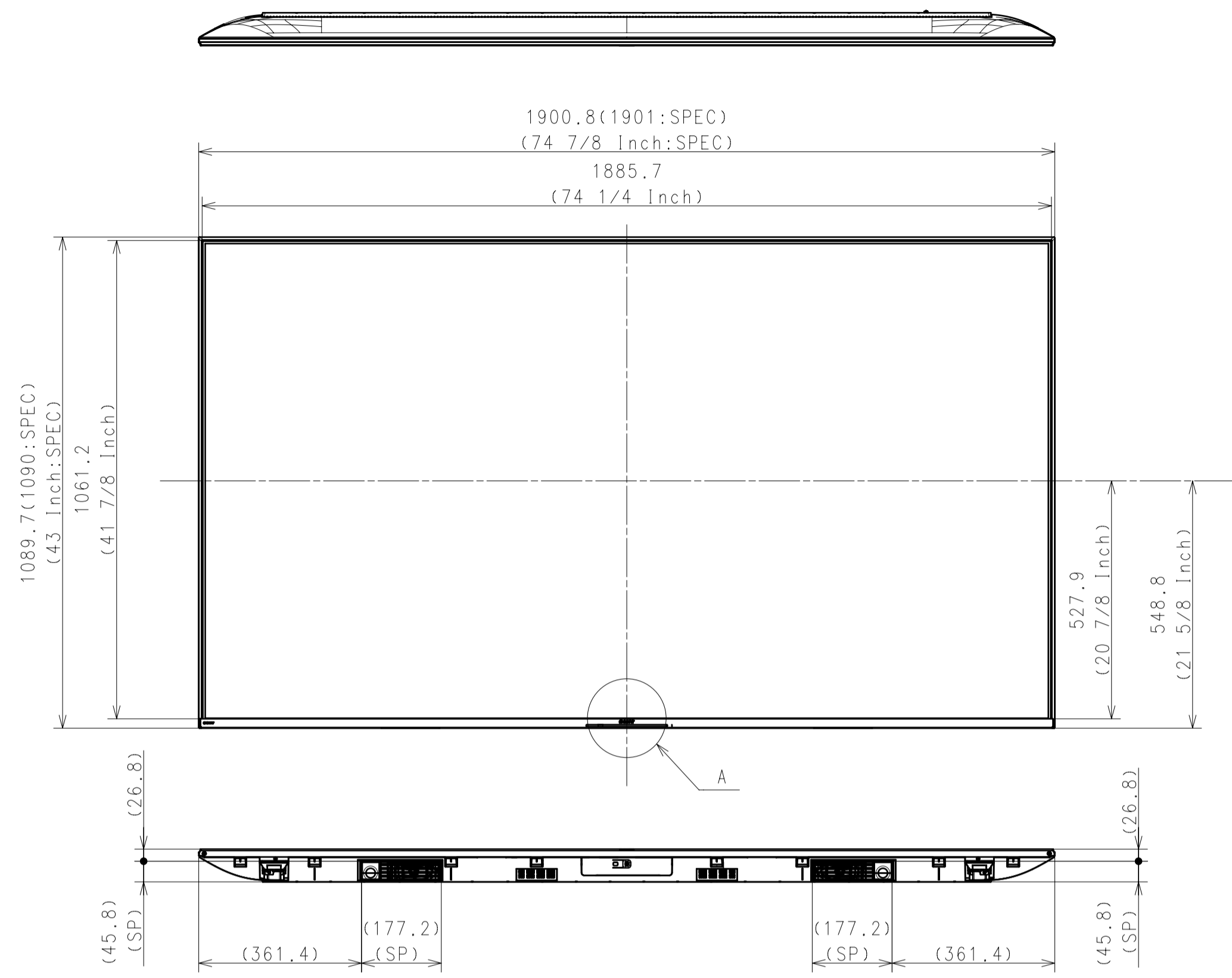
Area		NORTH AMERICA	LATIN AMERICA	GENERAL AREA + IN5 stand models	IN5 Stand-less
Model Name		K-85S30	K-85S30	K-85S30	K-85S30
SV No.		SV-42001	SV-42011	SV-42021	SV-42035
DIMENSION	TV only (W x H x D)	1901 x 1090 x 73 mm / 74 7/8 x 43 x 2 7/8 inch	1901 x 1090 x 73 mm	Approx. 1901 x 1090 x 73 mm	Approx. 1901 x 1090 x 73 mm
	TV only with camera (W x H x D)	-	-	-	-
	TV with Stand (Outside) (W x H x D)	1901 x 1177 x 456 mm / 74 7/8 x 46 3/8 x 18 inch	1901 x 1177 x 456 mm	Approx. 1901 x 1177 x 456 mm	-
	TV with Stand (Inside) (W x H x D)	-	-	-	-
	TV with Stand (Outside for Soundbar) (W x H x D)	-	-	-	-
	TV with Stand (Inside for Soundbar) (W x H x D)	-	-	-	-
	TV with Stand (Front position style) (W x H x D)	-	-	-	-
	TV with Stand (Back position style) (W x H x D)	-	-	-	-
	TV with Floor Stand (W x H x D)	-	-	-	-
	Stand Width (Outside)	1532 mm / 60 3/8 inch	1532 mm	Approx. 1532 mm	-
	Stand Width (Inside)	-	-	-	-
	Stand Width (Outside for Soundbar)	-	-	-	-
	Stand Width (Inside for Soundbar)	-	-	-	-
	Stand Width (Front position style)	-	-	-	-
Stand Width (Back position style)	-	-	-	-	
Floor Stand Width	-	-	-	-	
VESA Hole Pitch	400 x 400 mm / 15 3/4 x 15 3/4 inch	400 x 400 mm	400 x 400 mm	400 x 400 mm	
WEIGHT	TV Only	43.6 kg / 96.1 lb	43.6 kg	Approx. 43.6 kg	Approx. 43.6 kg
	TV with Stand (Outside)	45.2 kg / 99.6 lb	45.2 kg	Approx. 45.2 kg	-
	TV with Stand (Inside)	-	-	-	-
	TV with Stand (Outside for Soundbar)	-	-	-	-
	TV with Stand (Inside for Soundbar)	-	-	-	-
	TV with Stand (Front/Back position style)	-	-	-	-
	TV with Floor Stand	-	-	-	-
Floor Stand weight (Supply)	-	-	-	-	
W-M't Br. Weight (Supply)	-	-	-	-	
Remarks					

WITH STAND

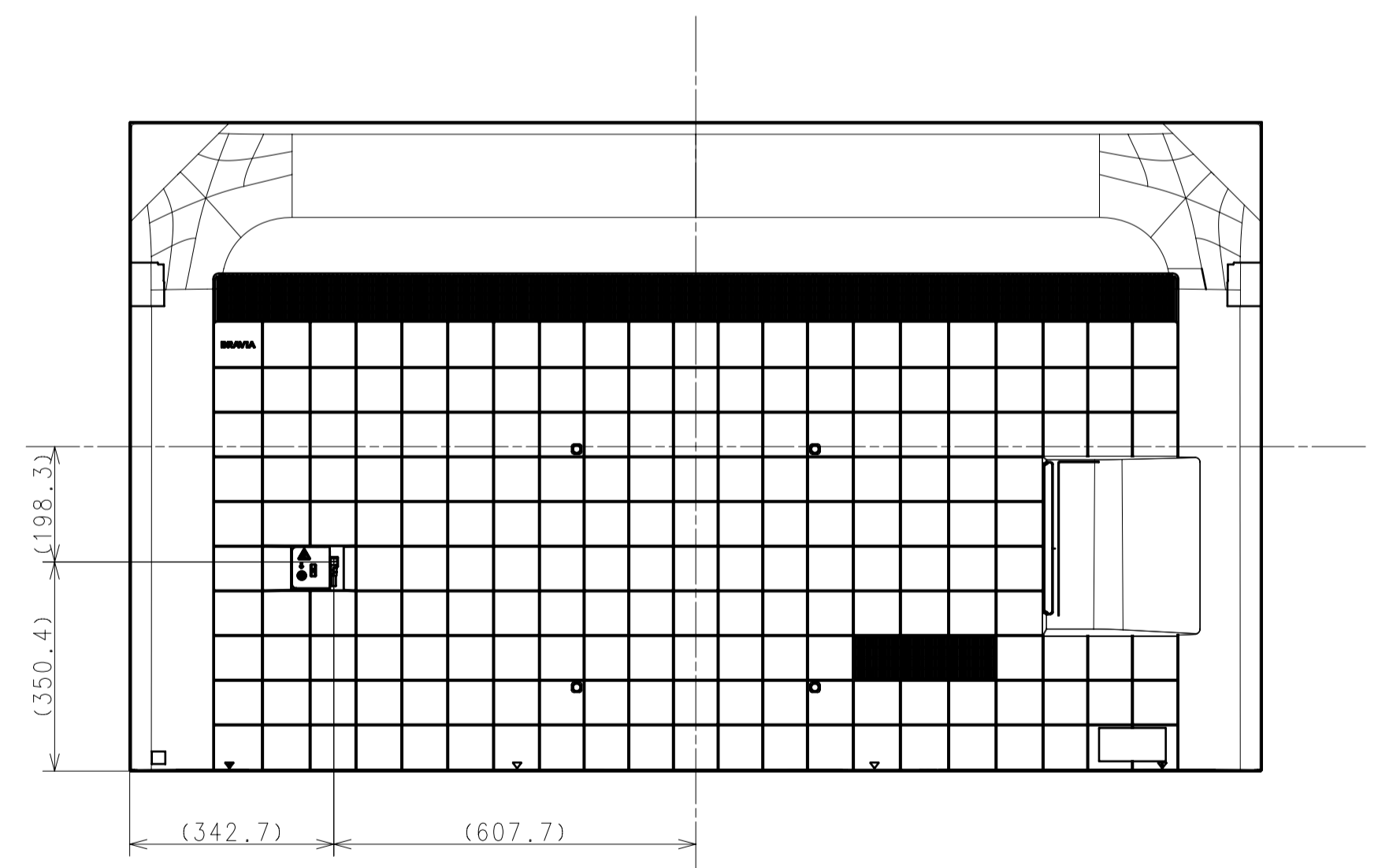
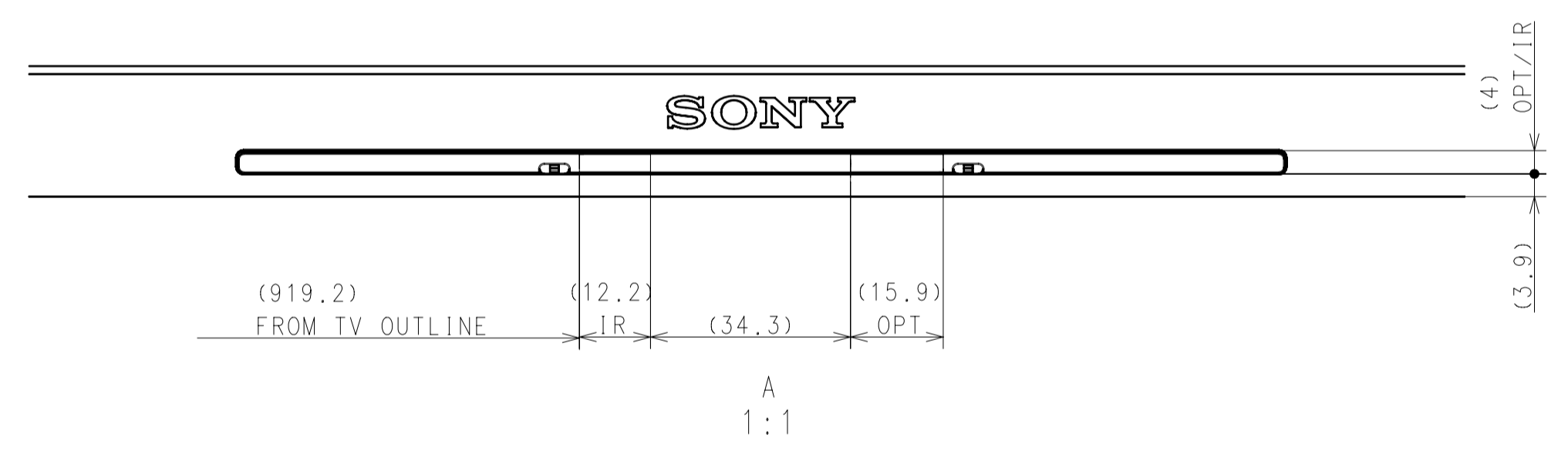


DATE OF ISSUE	2024.01.10
GENERAL TOLERANCE	ASSEMBLY
DATE OF ISSUE	2024.01.10
DOCUMENT TYPE	ASSEMBLY
TOLERANCE DRAWING	(JIS & JIS/ISO BASIS)
MATERIAL COLOR	FINISH COLOR
LEGAL OWNER	Sony Corporation
RESPONSIBLE DEPARTMENT	PANEL AND MECHANICAL DESIGN
ORIGINAL MODEL	85(S30) EXTERIOR VIEW
PLANNED BY	2024.01.10 (LONG:DES)
DESIGNED BY	2024.01.10 (LONG:DES)
DRAWN BY	2024.01.10 (LONG:DES)
SCALE	1:10
TENTATIVE MODEL	85(S30) EXTERIOR VIEW
SIZE	A1
UNIT	mm
SHEET/PAGES	1/5

WITHOUT STAND



For GENERAL AREA & North America



For Latin America & INDIA

DESCRIPTIONS 85(S30) EXTERIOR VIEW	LEGAL OWNER Sony Corporation	SCALE 1:10
DESCRIPTIONS 85(S30) EXTERIOR VIEW	PART NO.	SHEET/PAGES 2 / 5

SU-WL450

STANDARD

SLIM

471.2(472:SPEC)  
(18.5/8 Inch:SPEC)

(80)

(120)

(200) (200)  
(150) (150)  
(100) (100)  
(50) (50)

(498.4)  
42.5(43:SPEC)  
(1.7/4 Inch:SPEC)

450.5(451:SPEC)  
(17.7/8 Inch:SPEC)

200(200:SPEC)  
(7.7/8 Inch:SPEC)

SU-WL450  
Masking Tape Alignment Line

591.2(592:SPEC)  
(23.3/8 Inch:SPEC)

137.4(138:SPEC)  
(5.1/2 Inch:SPEC)

591.2(592:SPEC)  
(23.3/8 Inch:SPEC)

95.6(96:SPEC)  
(3.7/8 Inch:SPEC)

DRAWING

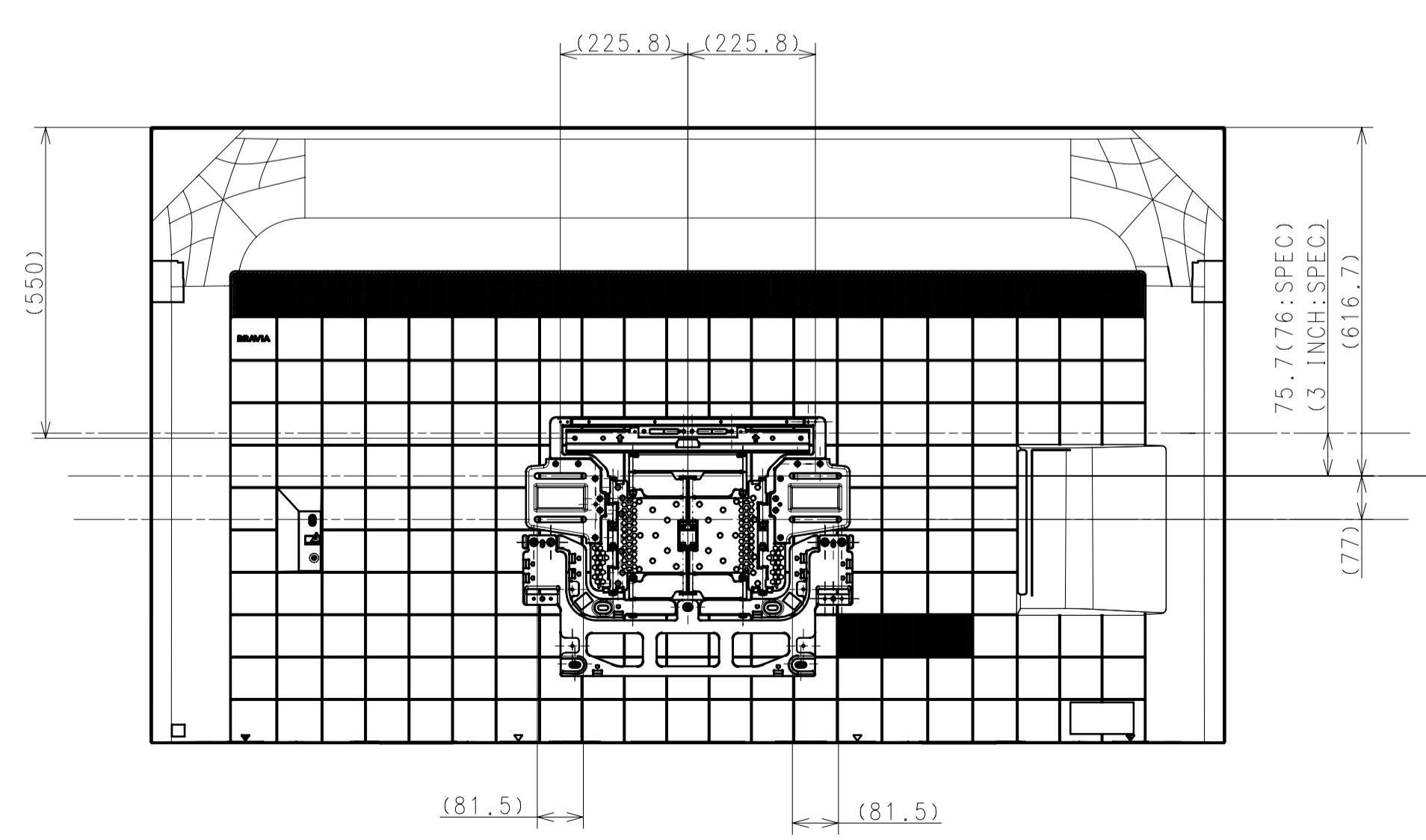
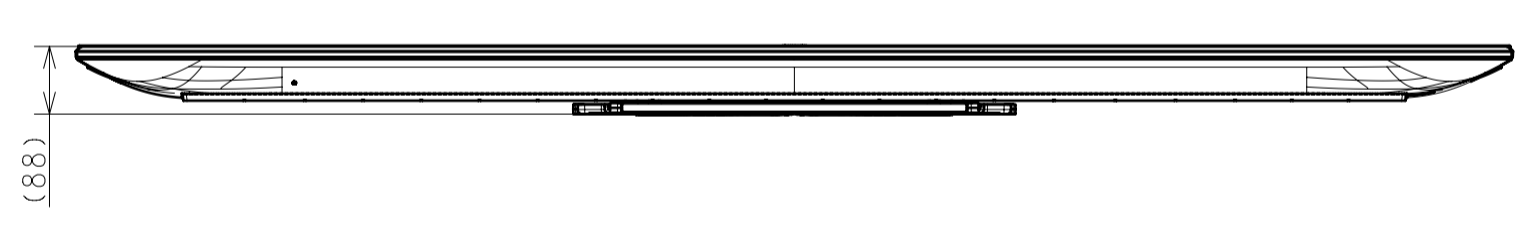
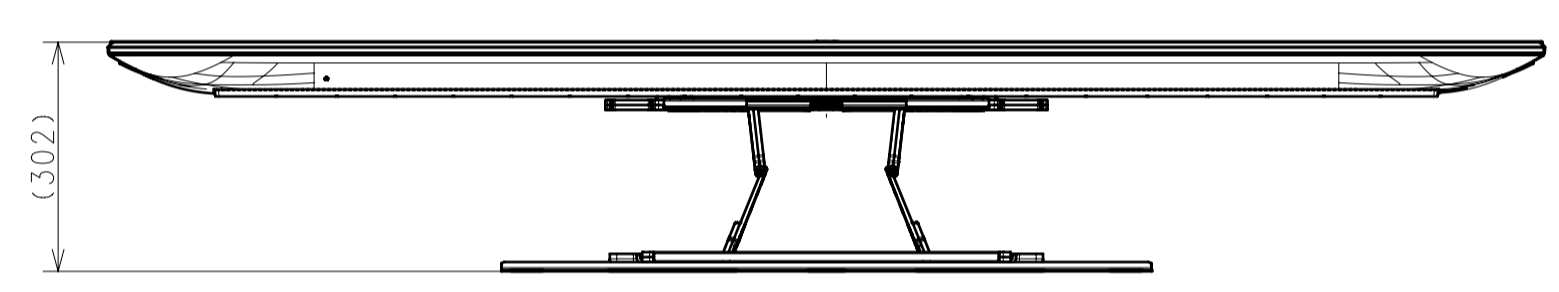
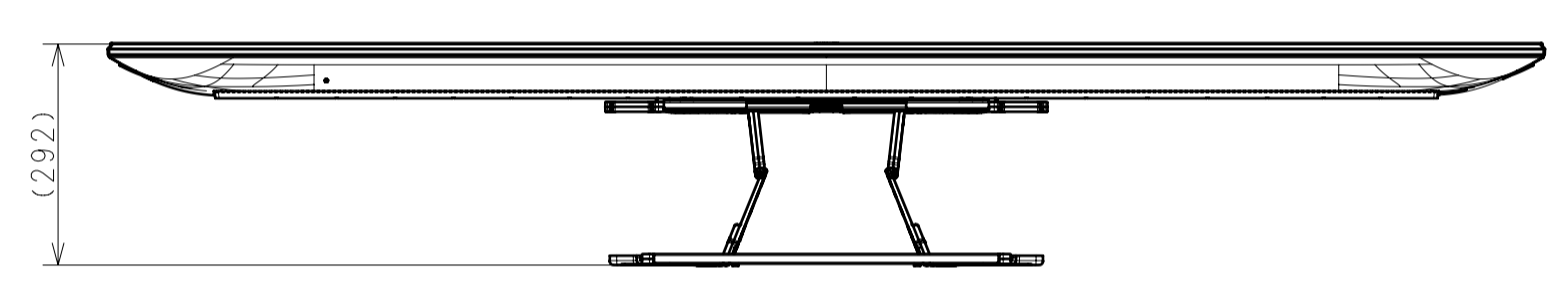
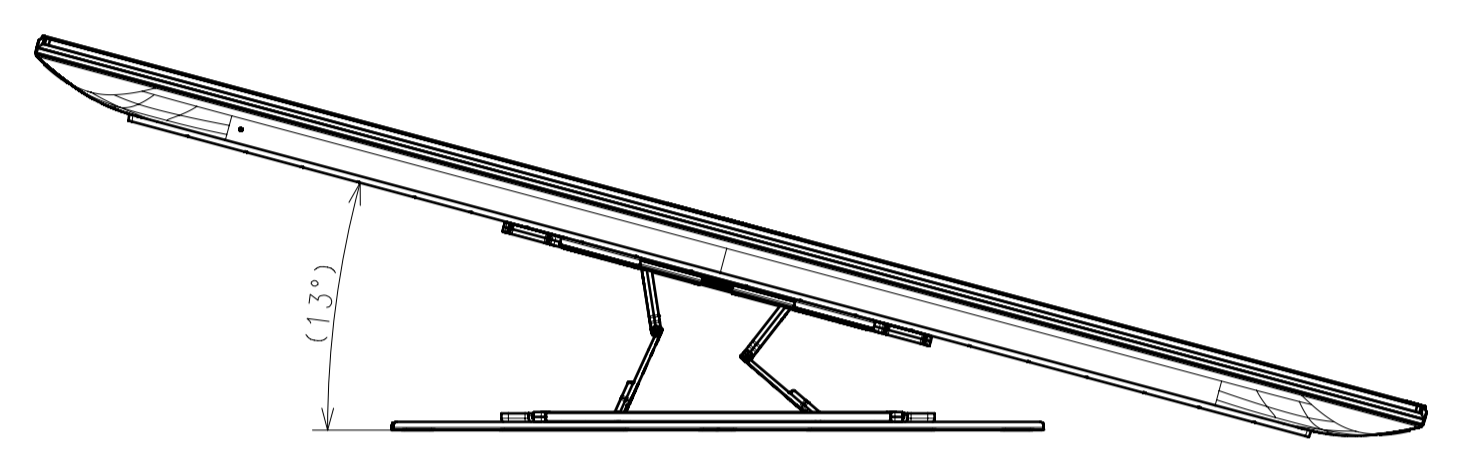
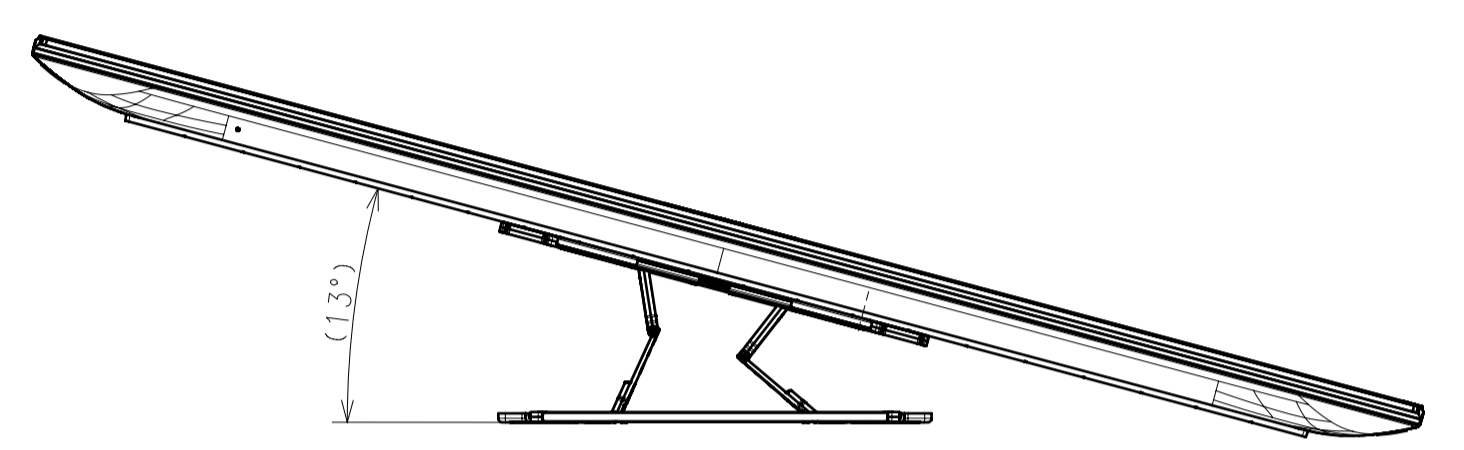
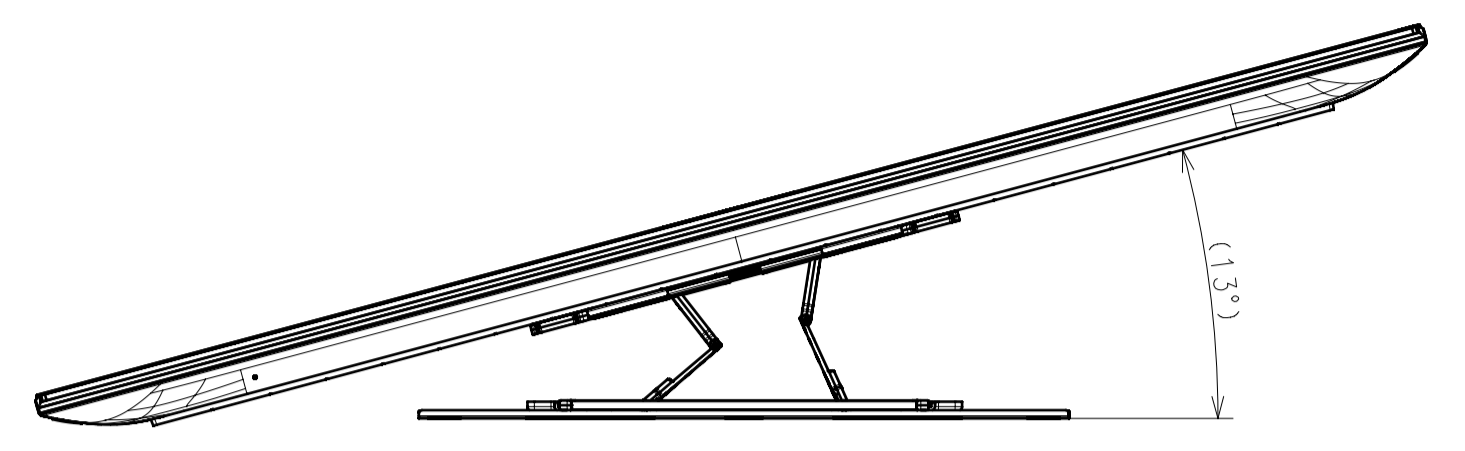
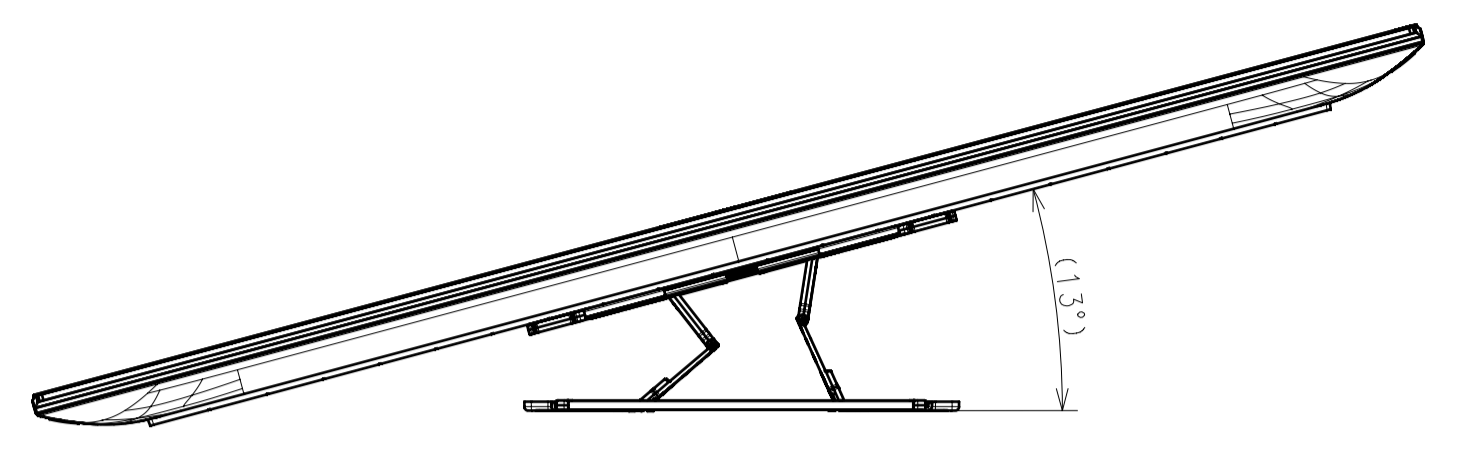
SONY STANDARD

A1  
18.08

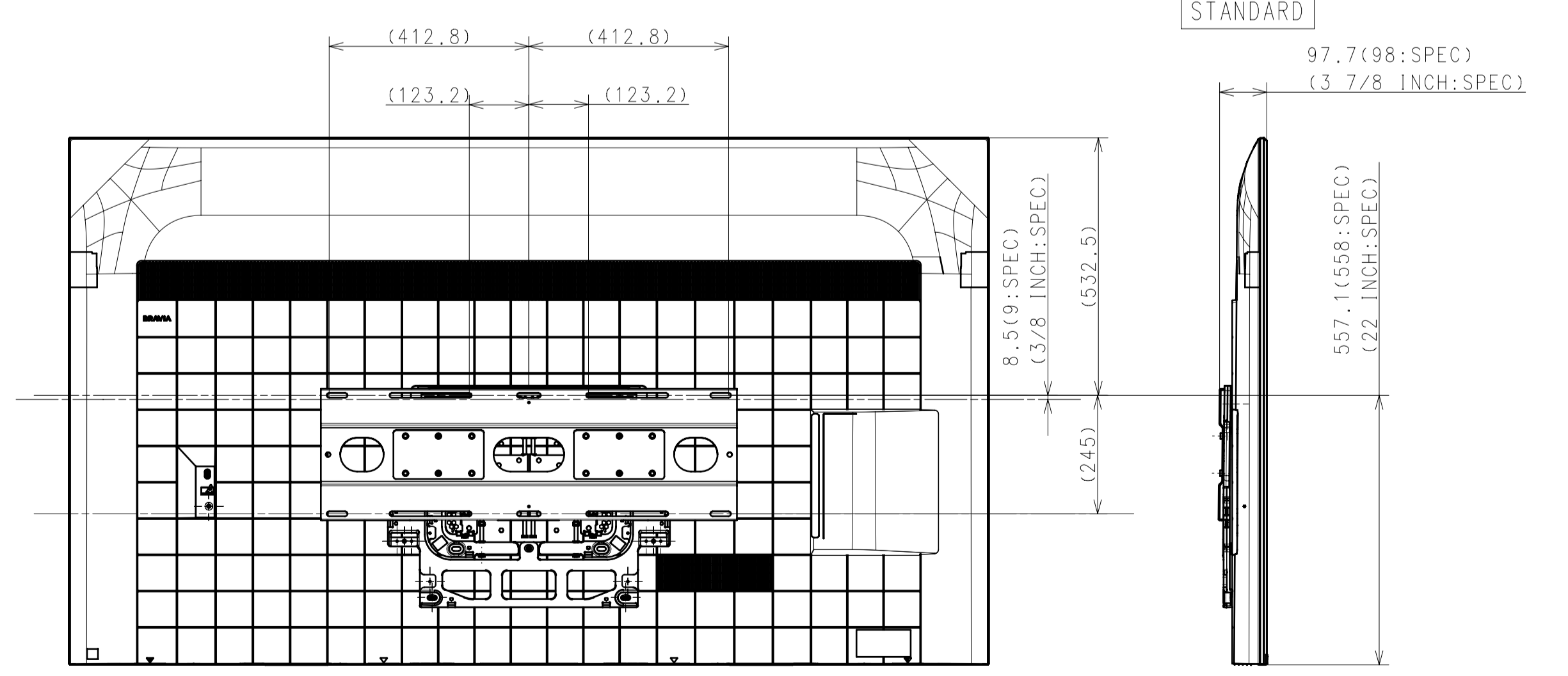
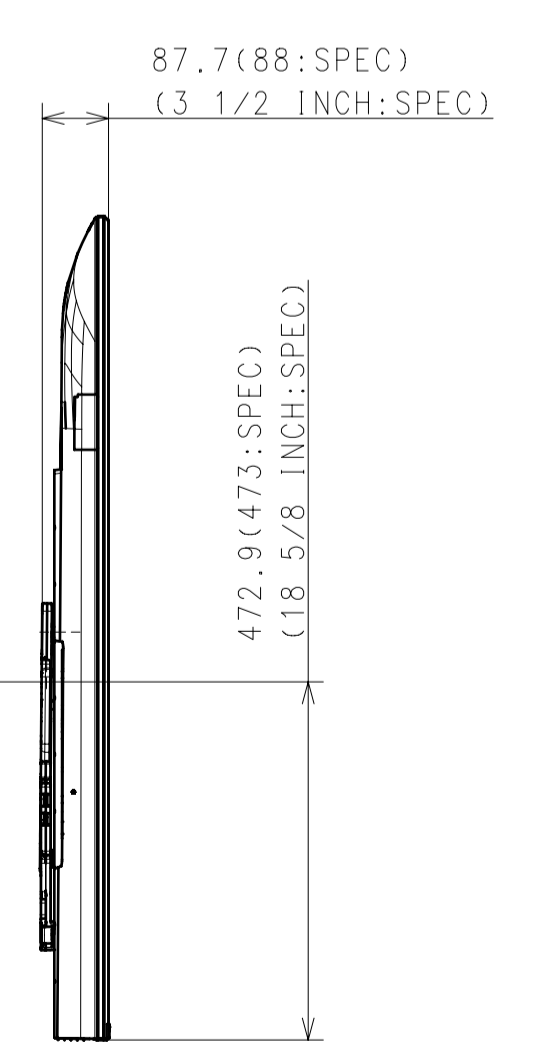
DESCRIPTION 1	LEGAL OWNER	SCALE
85(S30) EXTERIOR VIEW	Sony Corporation	1:10
DESCRIPTION 2	PART NO.	SHEET/PAGES
85(S30) EXTERIOR VIEW		3 / 5

SU-WL900 13mm

SU-WL900 13mm WITH LATERAL SHAFT BRACKET



SLIM



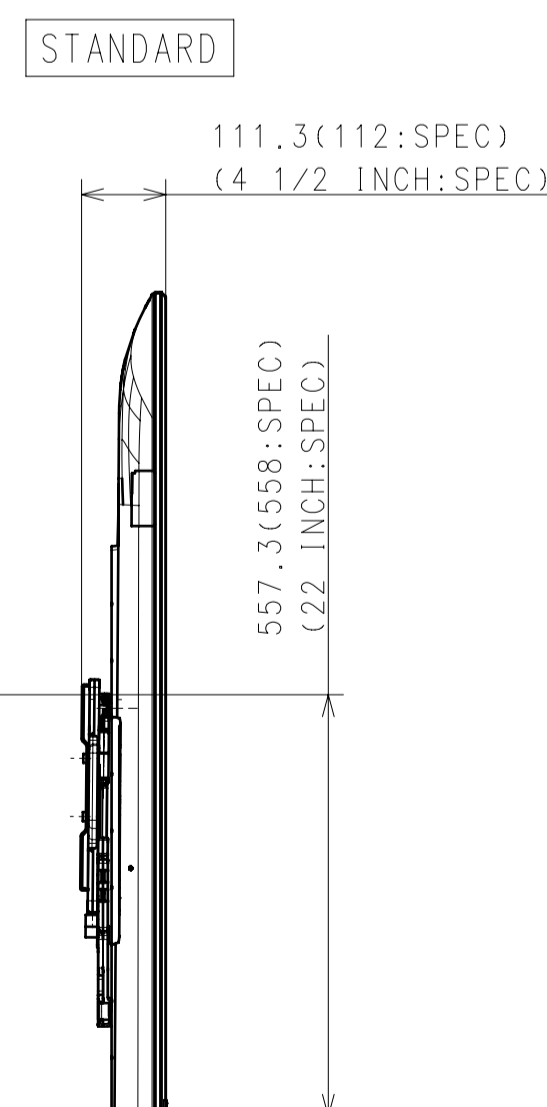
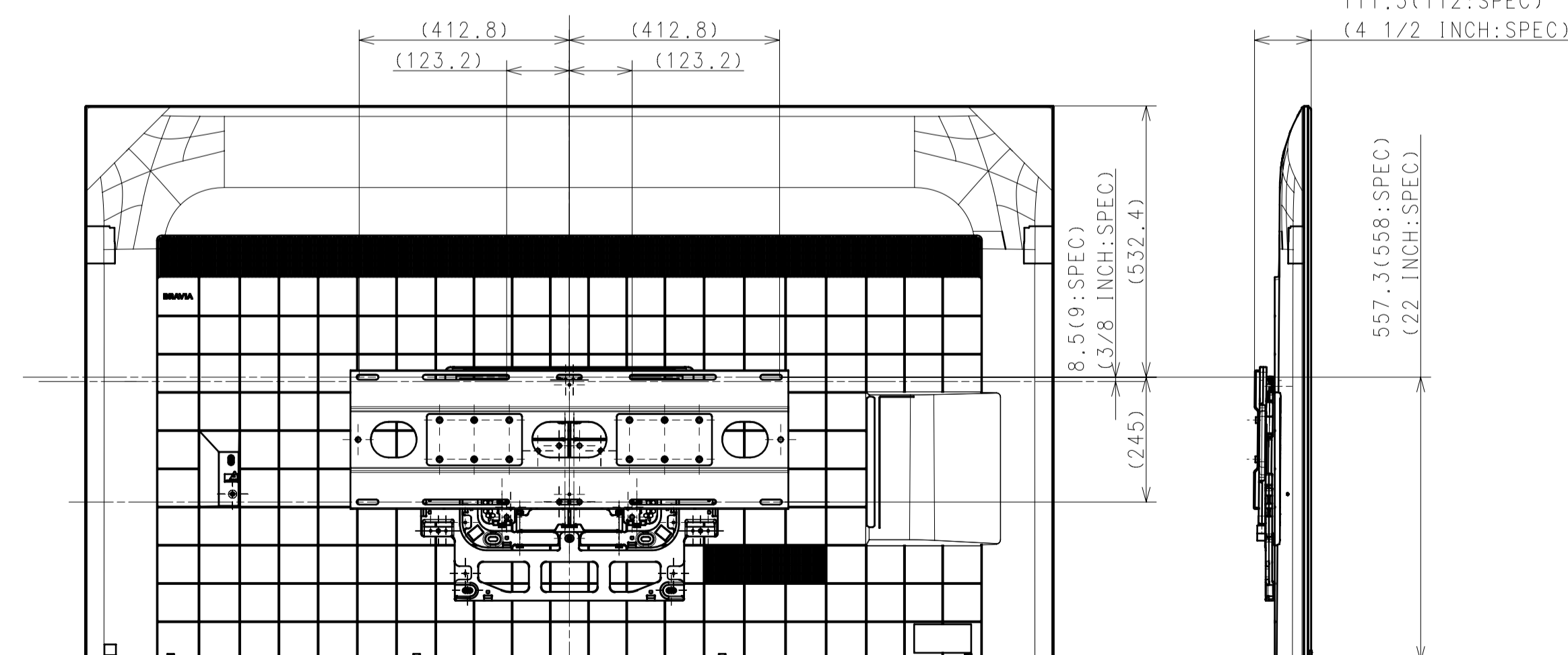
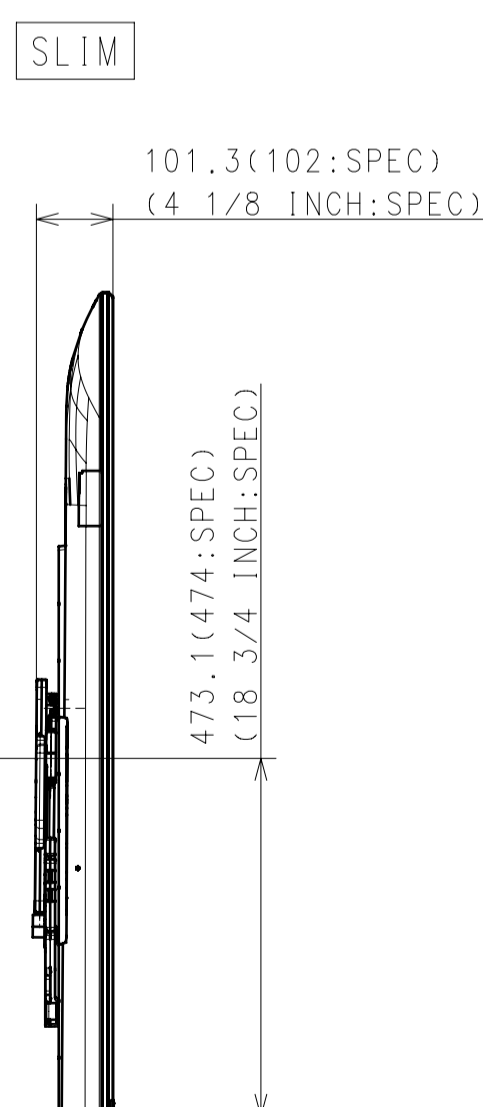
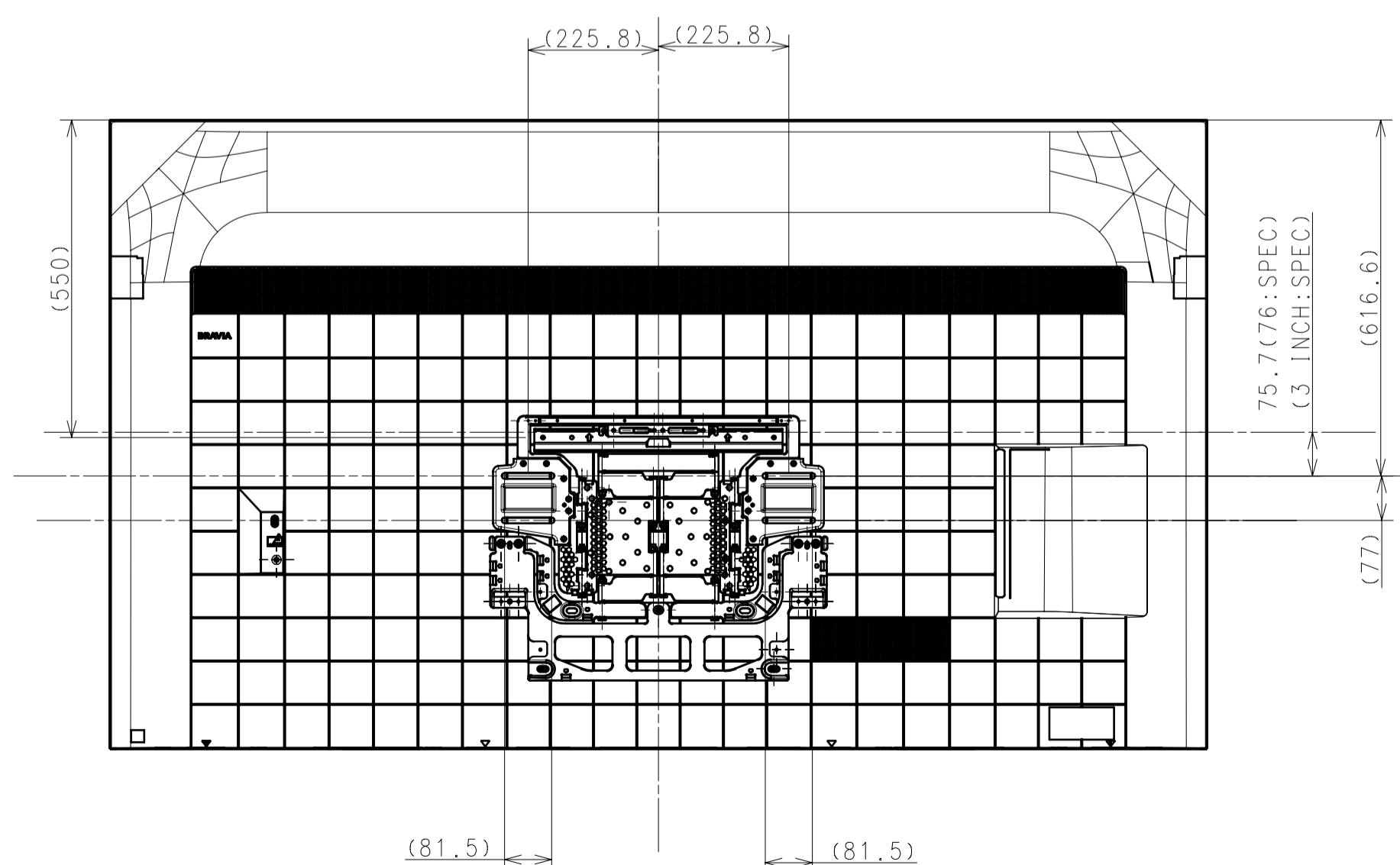
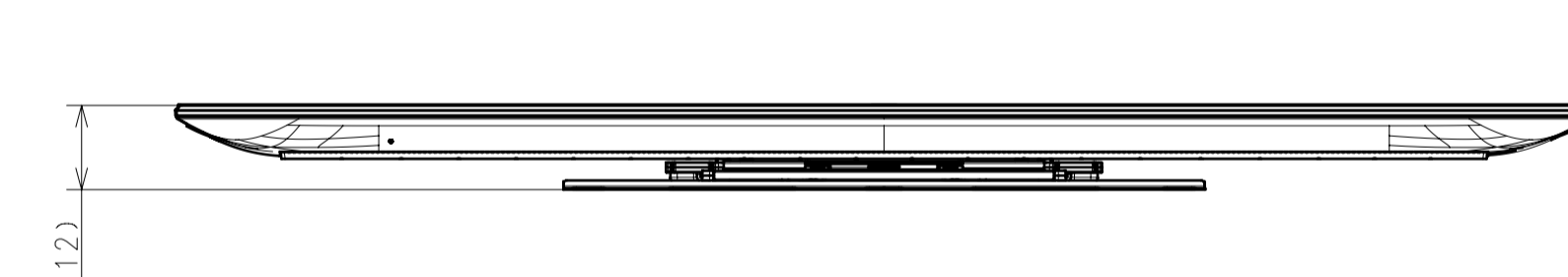
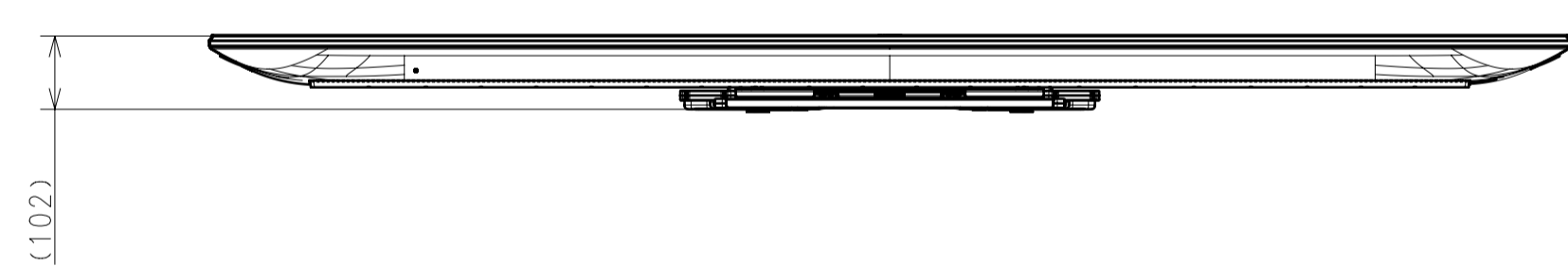
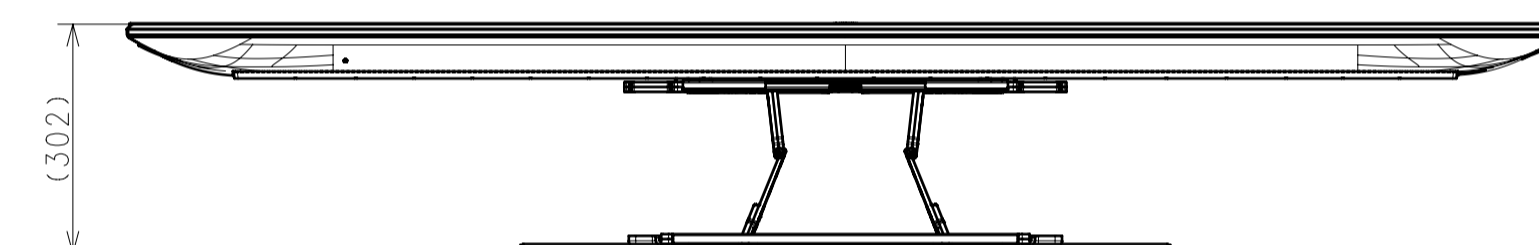
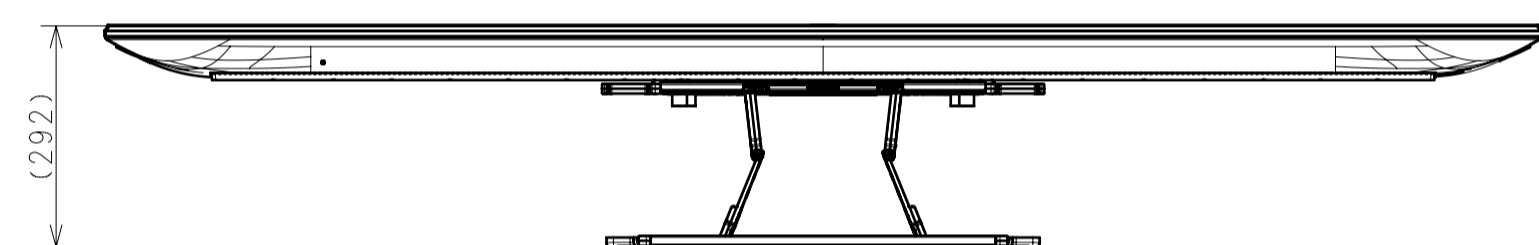
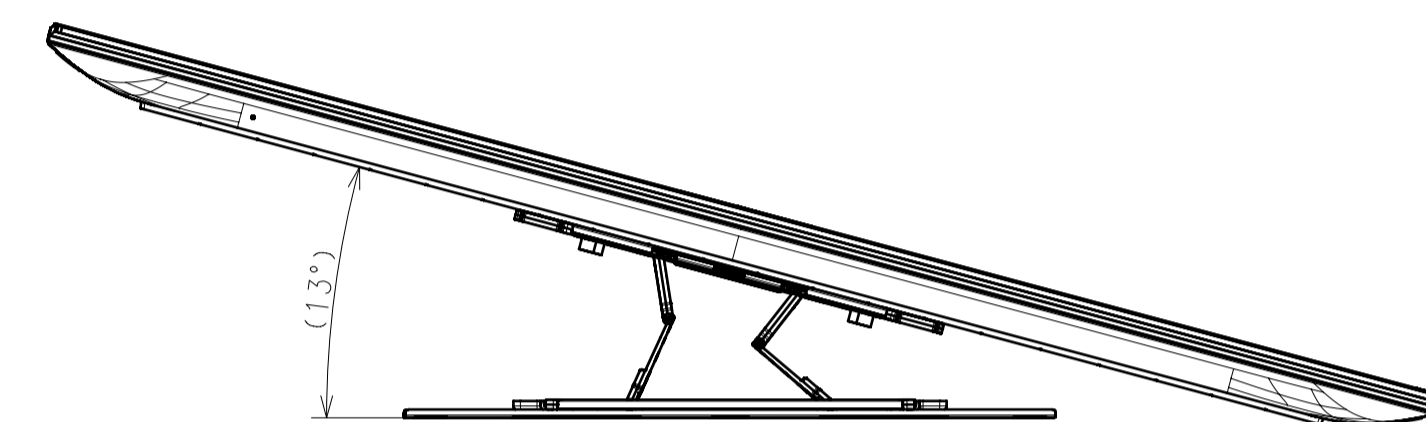
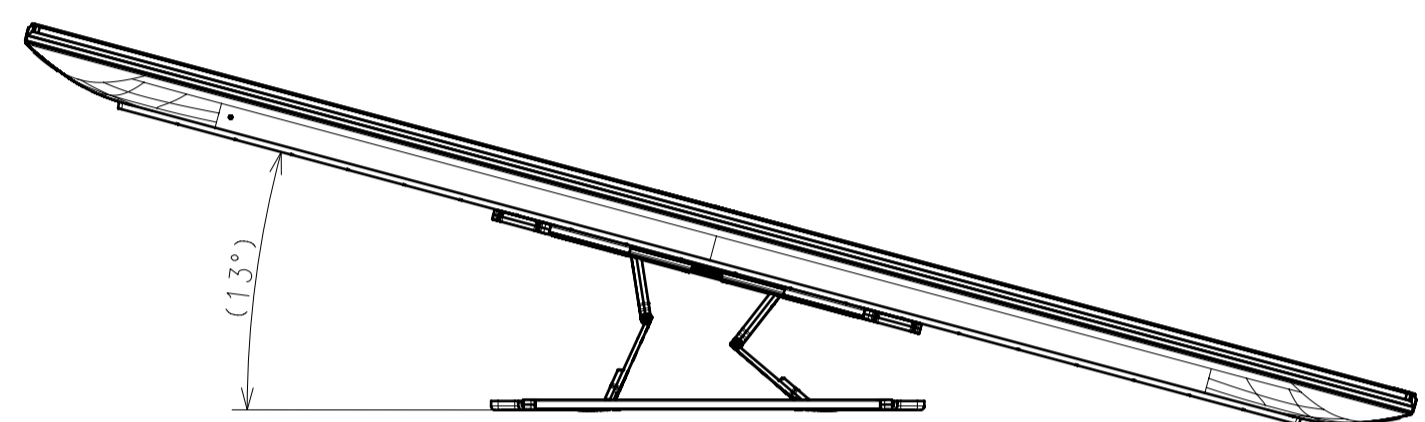
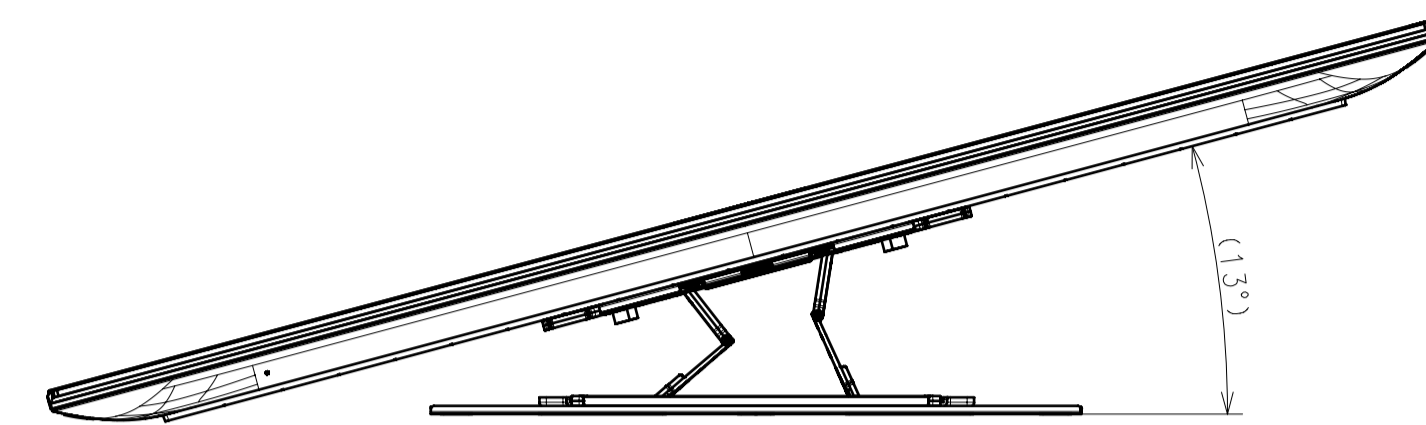
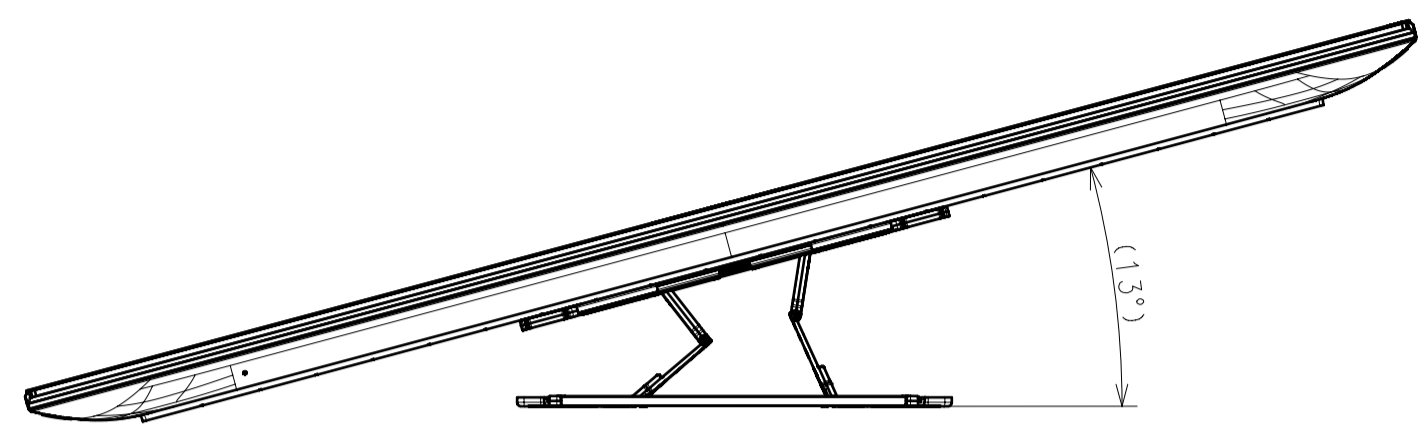
STANDARD

SONY STANDARD DRAWING

DESCRIPTION 1	85(S30) EXTERIOR VIEW	LEGAL OWNER	Sony Corporation	SCALE	1:10
DESCRIPTION 2	85(S30) EXTERIOR VIEW	PART NO.		SHEET/PAGES	4 / 5

SU-WL900 26mm

SU-WL905 26mm WITH LATERAL SHAFT BRACKET



SONY STANDARD DRAWING

DESCRIPTION	LEGAL OWNER	SCALE
85(S30) EXTERIOR VIEW	Sony Corporation	1:10
DESCRIPTION	PART NO.	SHEET/PAGES
85(S30) EXTERIOR VIEW		5 / 5