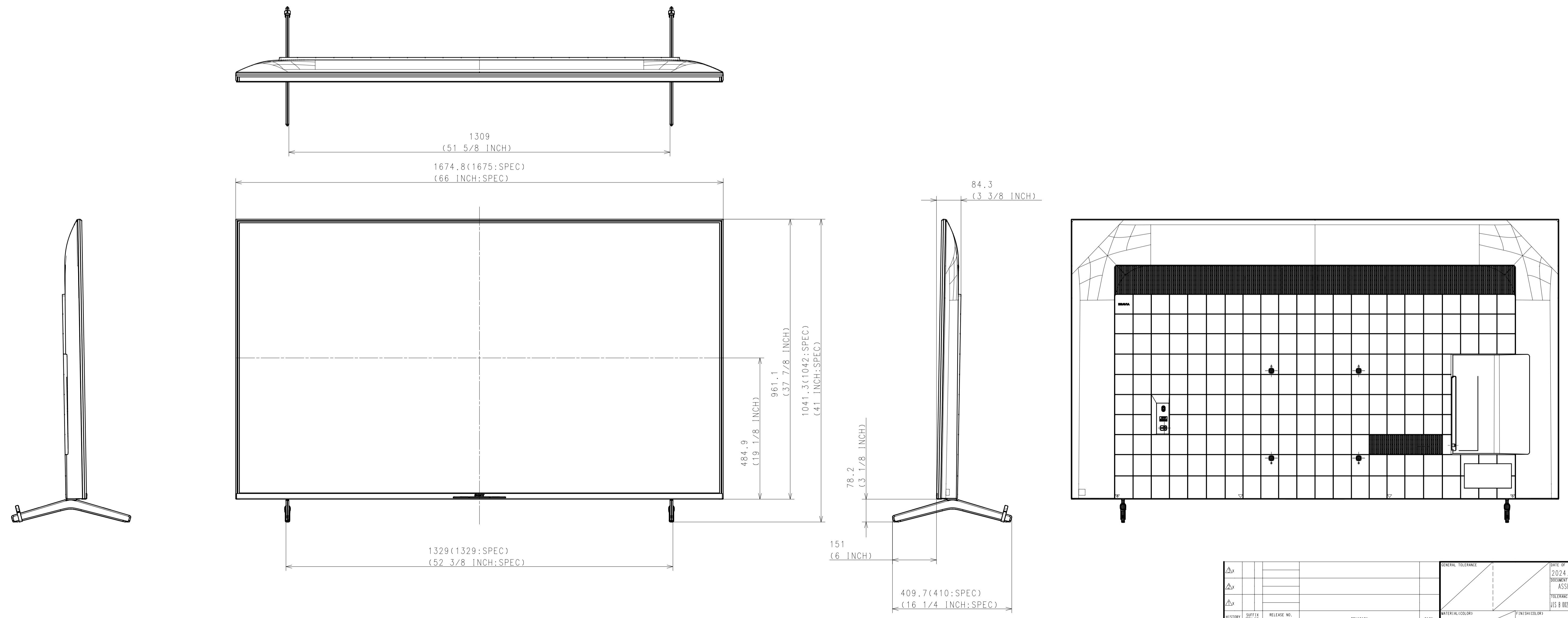


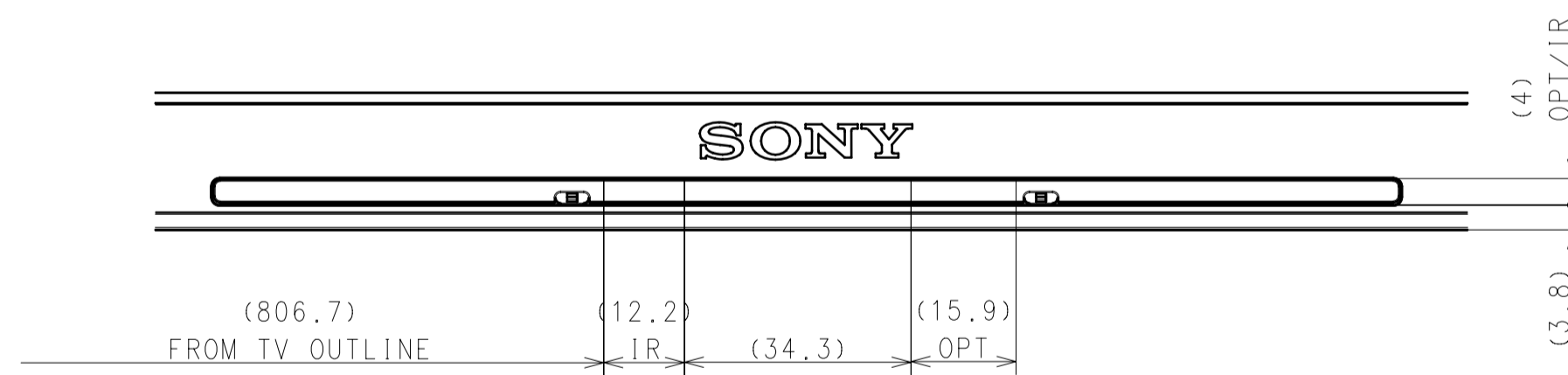
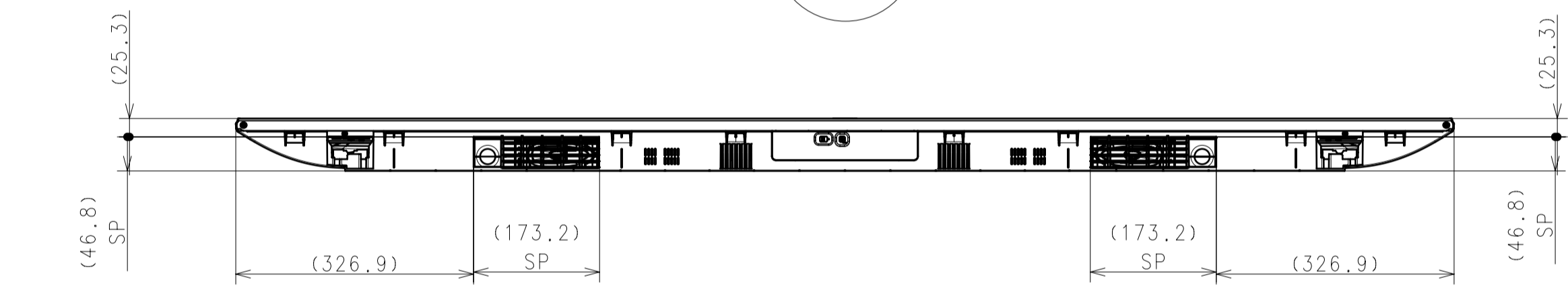
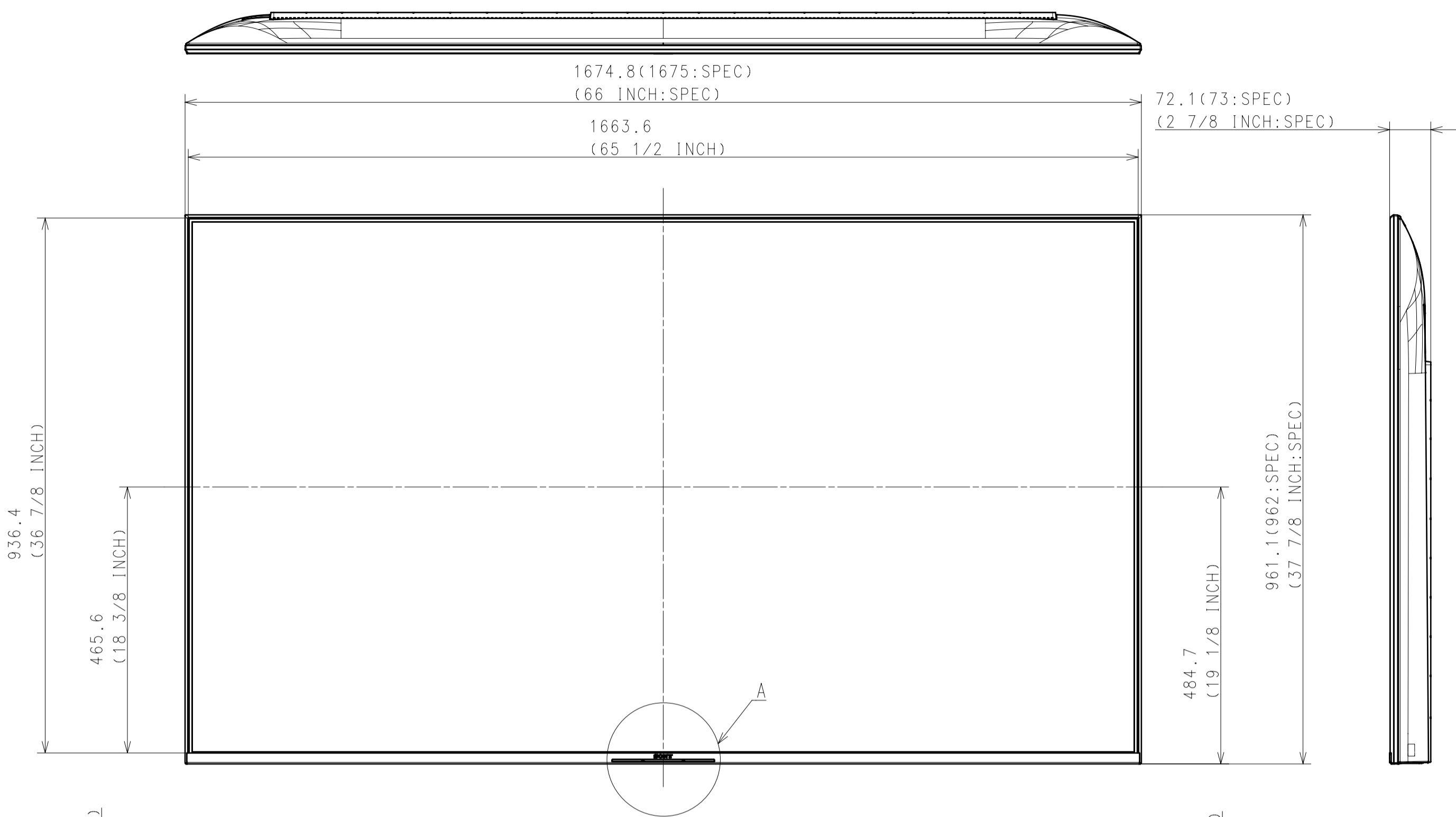
Area		NORTH AMERICA	LATIN AMERICA	GENERAL AREA + IN5 stand models	IN5 Stand-less
Model Name		K-75S30	K-75S30	K-75S30	K-75S30
SV No.		SV-42002	SV-42012	SV-42022	SV-42036
DIMENSION	TV only (W x H x D)	1675 x 962 x 73 mm / 66 x 37 7/8 x 2 7/8 inch	1675 x 962 x 73 mm	Approx. 1675 x 962 x 73 mm	Approx. 1675 x 962 x 73 mm
	TV only with camera (W x H x D)	-	-	-	-
	TV with Stand (Outside) (W x H x D)	1675 x 1042 x 410 mm / 66 x 41 x 16 1/4 inch	1675 x 1042 x 410 mm	Approx. 1675 x 1042 x 410 mm	-
	TV with Stand (Inside) (W x H x D)	-	-	-	-
	TV with Stand (Outside for Soundbar) (W x H x D)	-	-	-	-
	TV with Stand (Inside for Soundbar) (W x H x D)	-	-	-	-
	TV with Stand (Front position style) (W x H x D)	-	-	-	-
	TV with Stand (Back position style) (W x H x D)	-	-	-	-
	TV with Floor Stand (W x H x D)	-	-	-	-
	Stand Width (Outside)	1329 mm / 52 3/8 inch	1329 mm	Approx. 1329 mm	-
	Stand Width (Inside)	-	-	-	-
	Stand Width (Outside for Soundbar)	-	-	-	-
	Stand Width (Inside for Soundbar)	-	-	-	-
	Stand Width (Front position style)	-	-	-	-
Stand Width (Back position style)	-	-	-	-	
Floor Stand Width	-	-	-	-	
VESA Hole Pitch	300 x 300 mm / 11 7/8 x 11 7/8 inch	300 x 300 mm	300 x 300 mm	300 x 300 mm	
WEIGHT	TV Only	31.3 kg / 69 lb	31.3 kg	Approx. 30.7 kg	Approx. 30.7 kg
	TV with Stand (Outside)	32.6 kg / 71.9 lb	32.6 kg	Approx. 32 kg	-
	TV with Stand (Inside)	-	-	-	-
	TV with Stand (Outside for Soundbar)	-	-	-	-
	TV with Stand (Inside for Soundbar)	-	-	-	-
	TV with Stand (Front/Back position style)	-	-	-	-
	TV with Floor Stand	-	-	-	-
	Floor Stand weight (Supply)	-	-	-	-
Remarks	W-M't Br. Weight (Supply)	-	-	-	-

WITH STAND

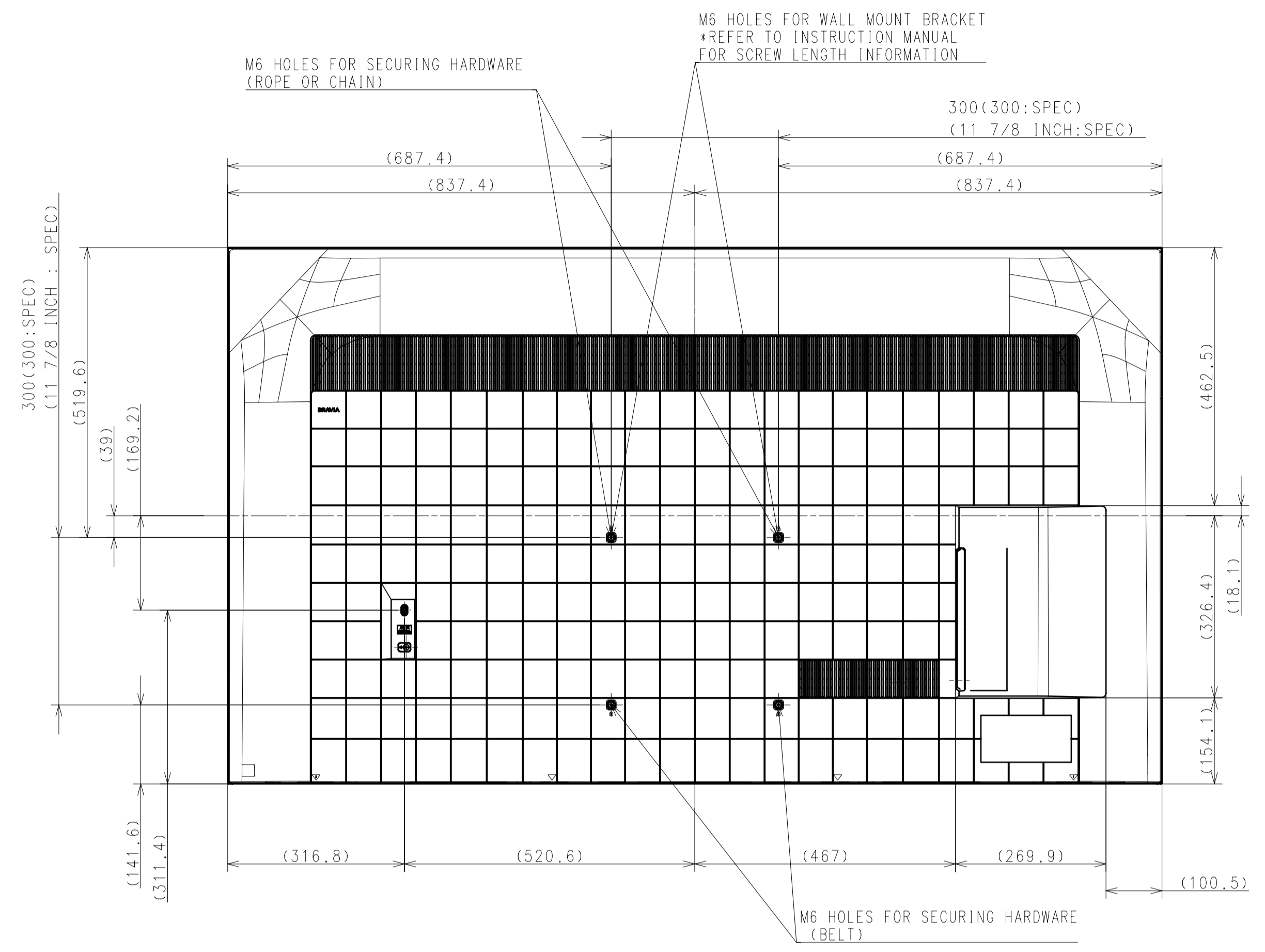


HISTORY X COUNT SUFFIX REV. NO. DATE		RELEASE NO. DATE		REVISION		SIGN.		GENERAL TOLERANCE DATE OF ISSUE 2024.01.08 DOCUMENT TYPE ASSEMBLY TOOLERANCE DRAWING (JIS & ISO/IEC 8015)	
RESPONSIBLE DEPARTMENT PANEL & MECHANICAL DESIGN		ORIGINAL MODEL 75(S30)		DESCRIPTION 75(S30) EXTERIOR VIEW		MATERIAL COLOR FINISH COLOR		SHEET/PAGES 1/ 6	
PLANNED BY 2024.01.08 STAFF/IR - 053 MECH		CHECKED BY 2024.01.08 STAFF/IR - 053 MECH		APPROVED BY SCALE 1:7		TENTATIVE MODEL 75(S30) EXTERIOR VIEW		PART NO. SUFFIX REV. NO.	

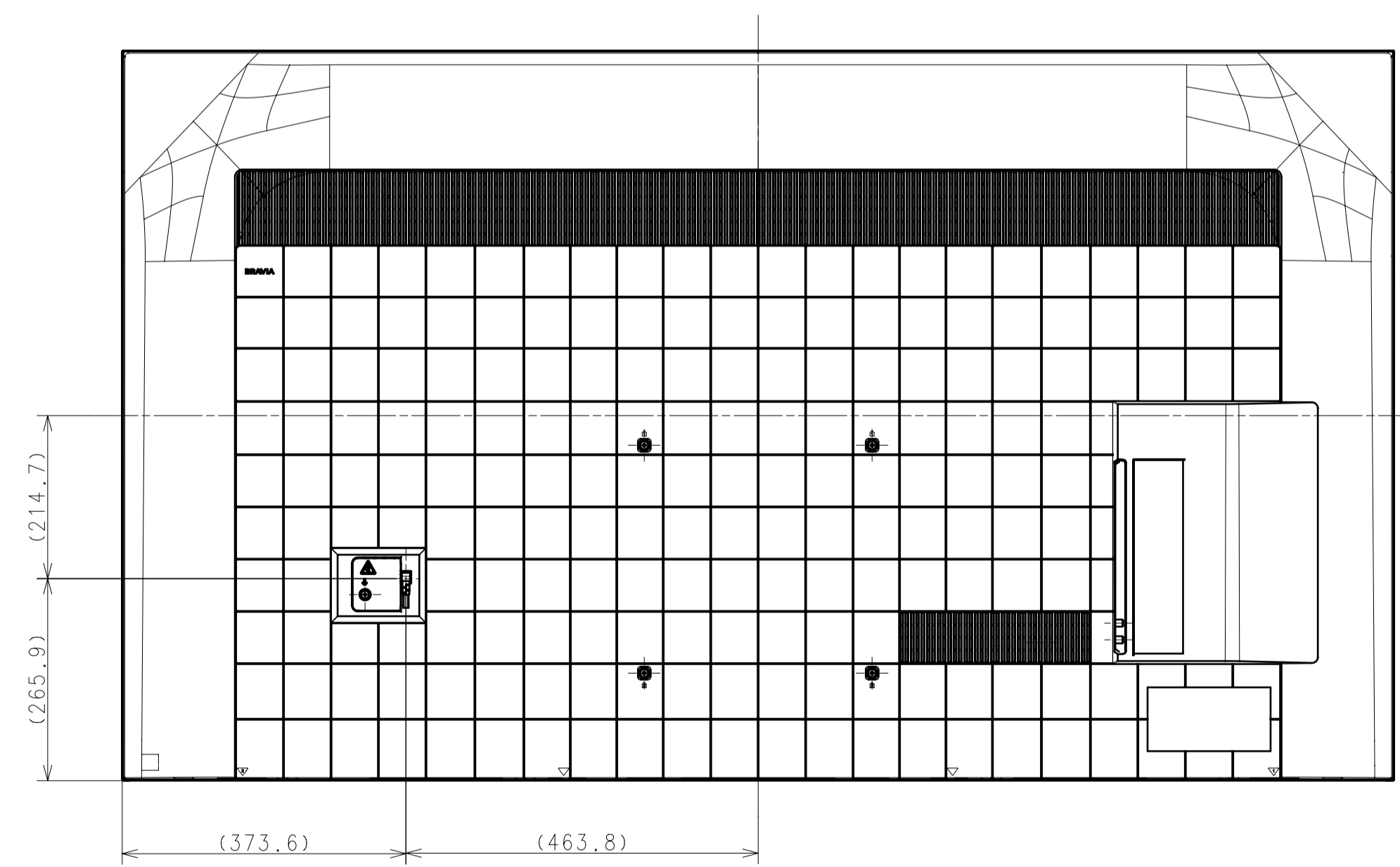
WITHOUT STAND



A
1:1



For NORTH AMERICA, GENERAL AREA



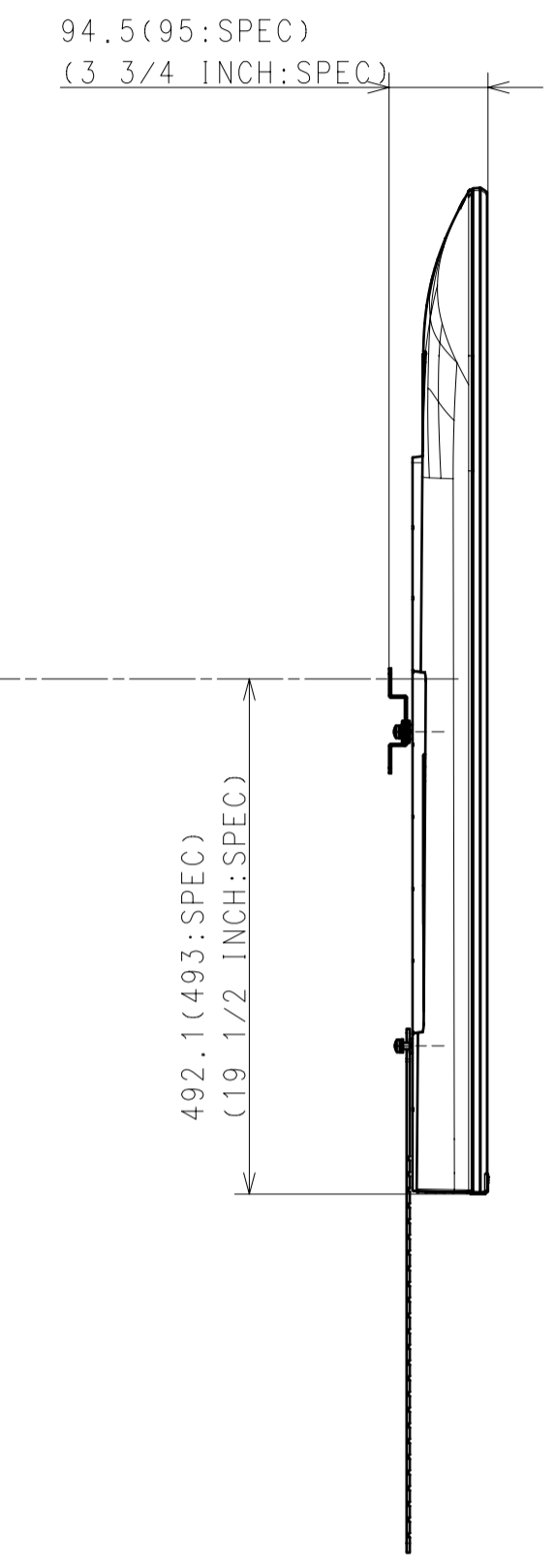
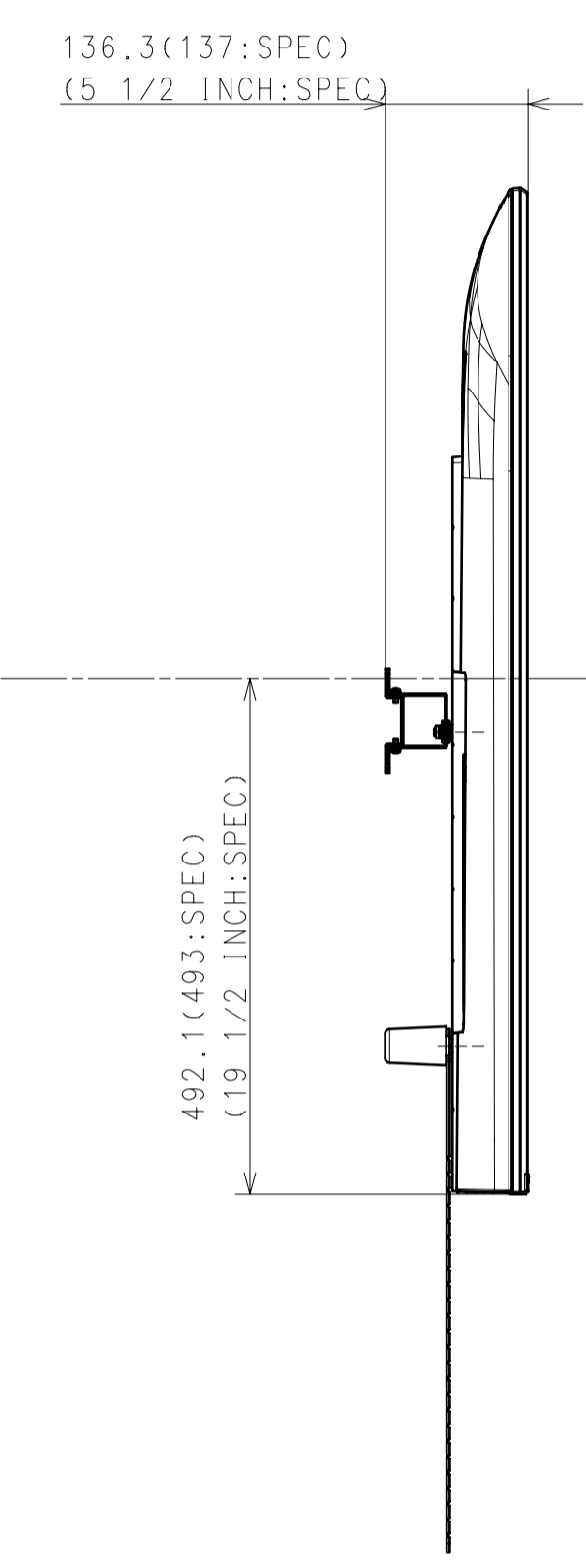
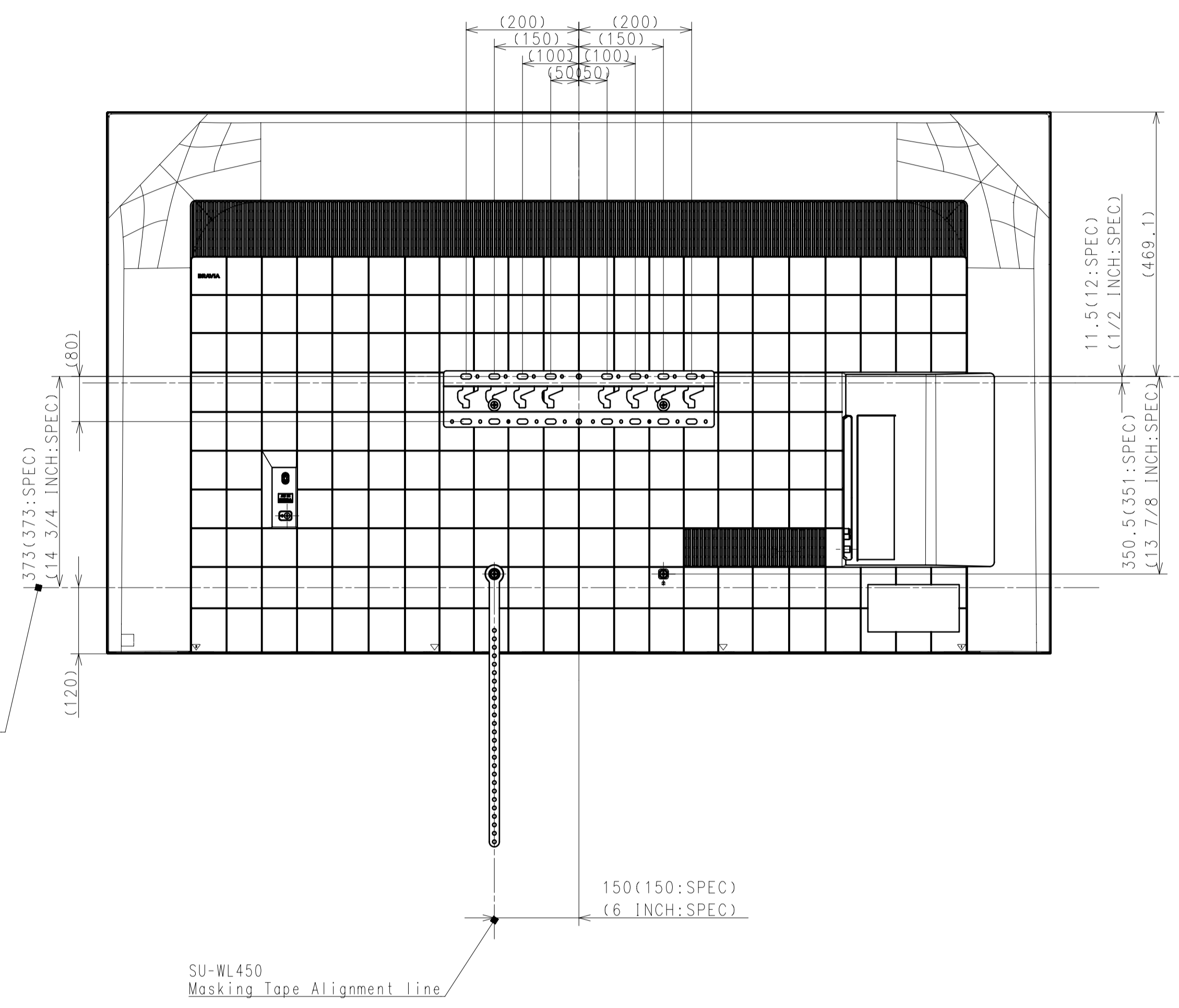
For LATIN AMERICA, INDIA

DESCRIPTION	LEGAL OWNER	SCALE
75(S30) EXTERIOR VIEW	Sony Corporation	1:7
75(S30) EXTERIOR VIEW	PART NO.	SHEET/PAGES 2 / 6

SU-WL450

STANDARD

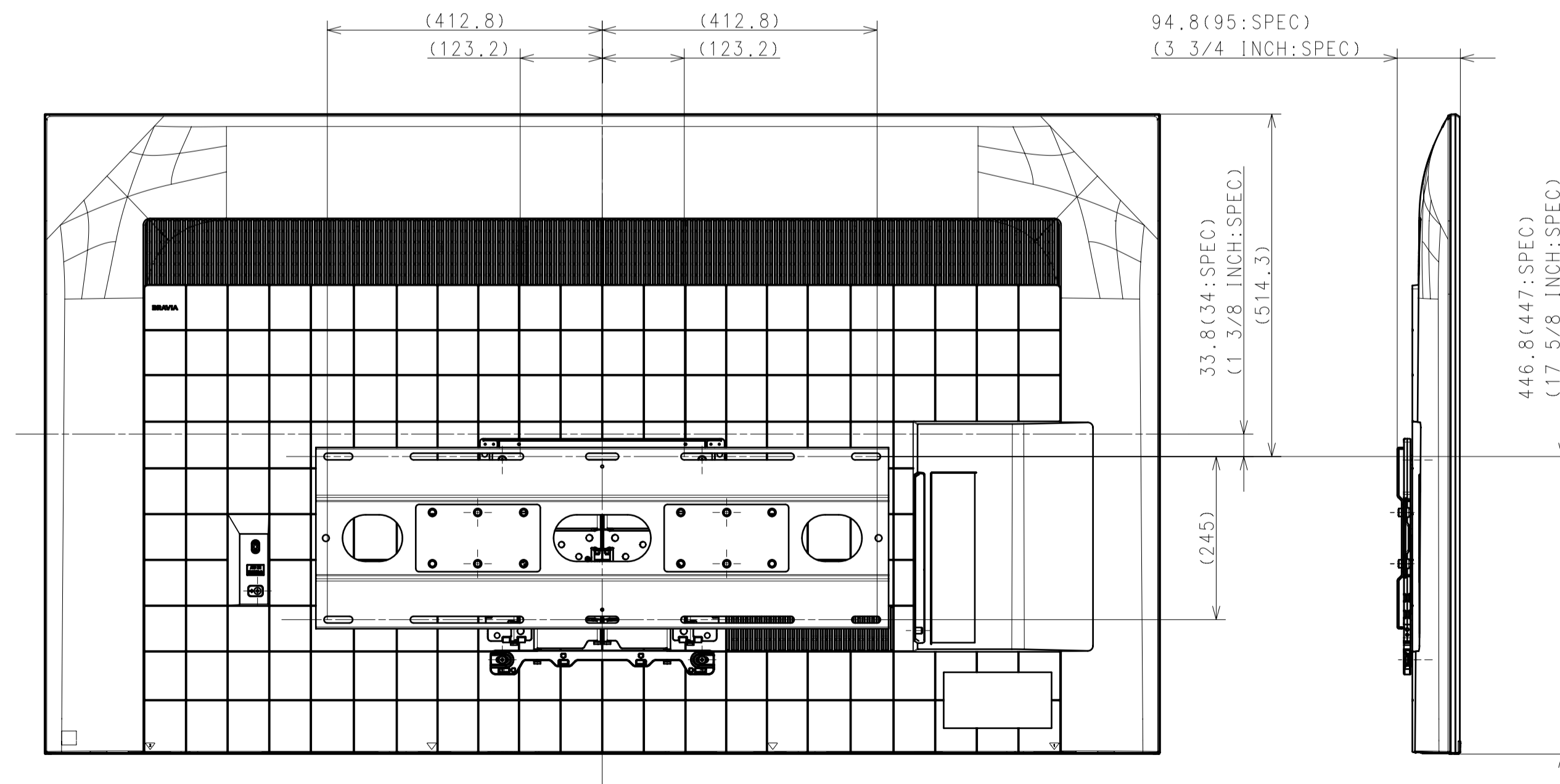
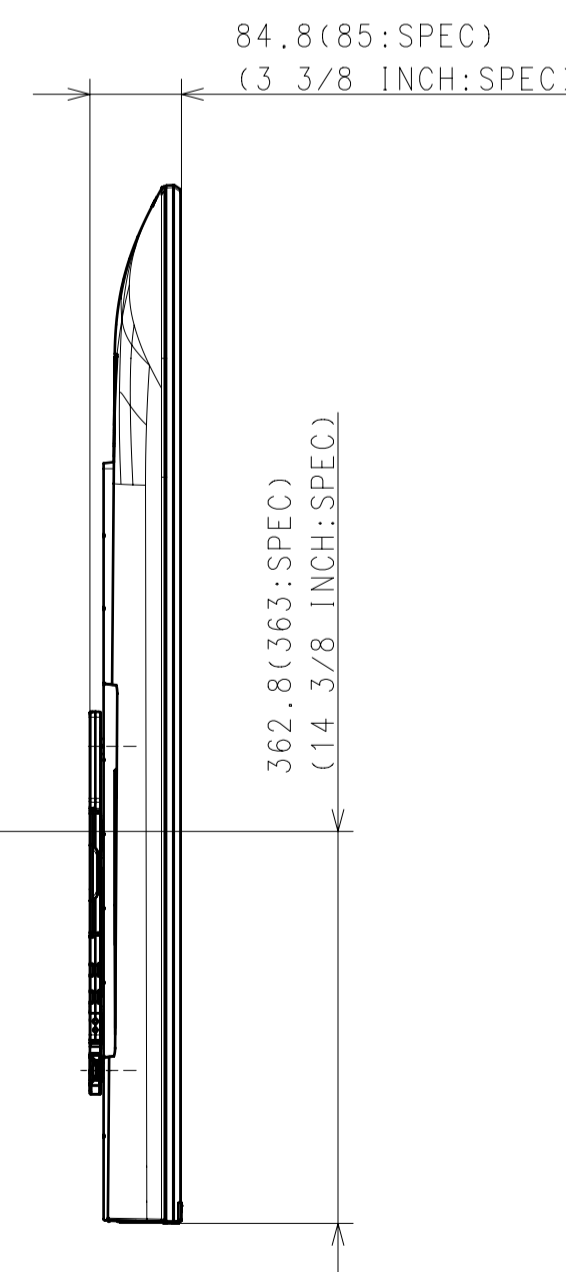
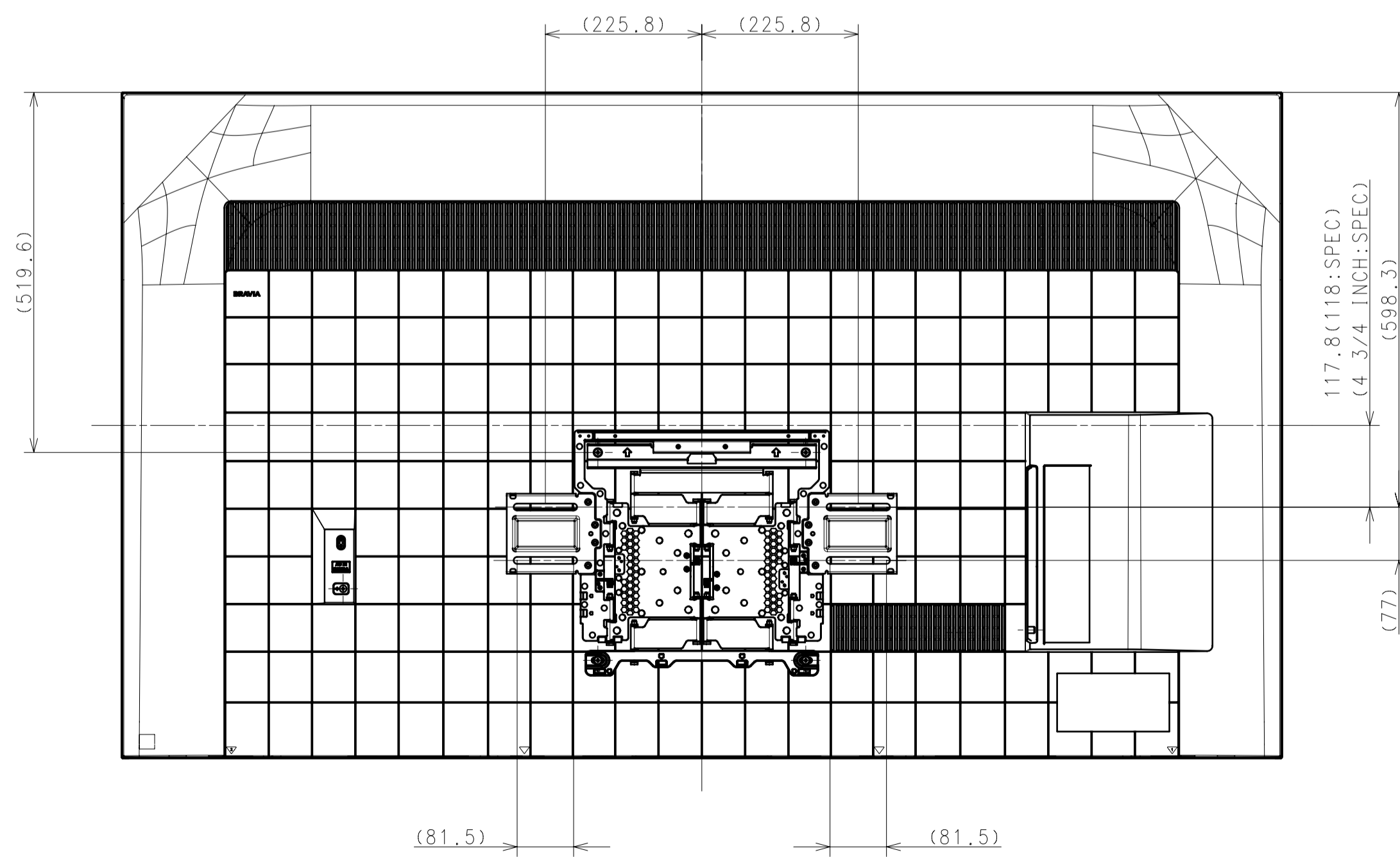
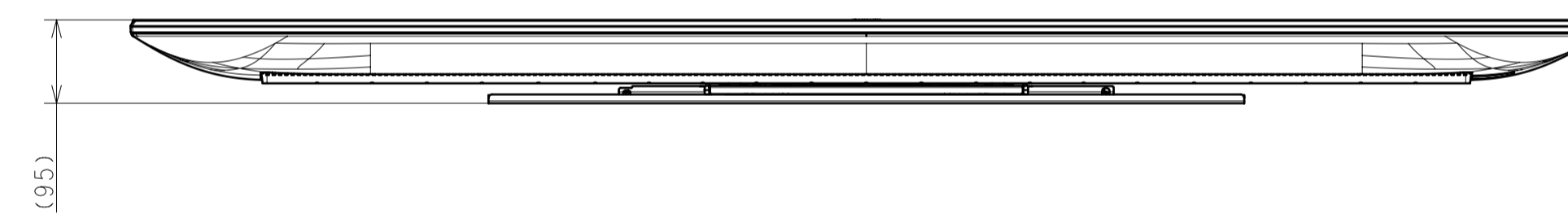
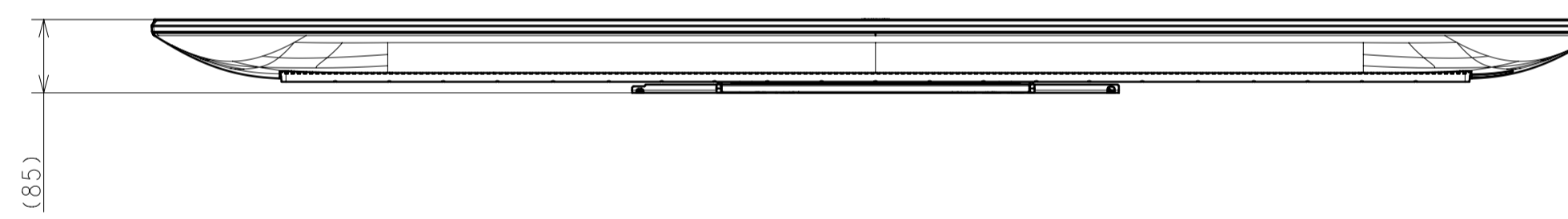
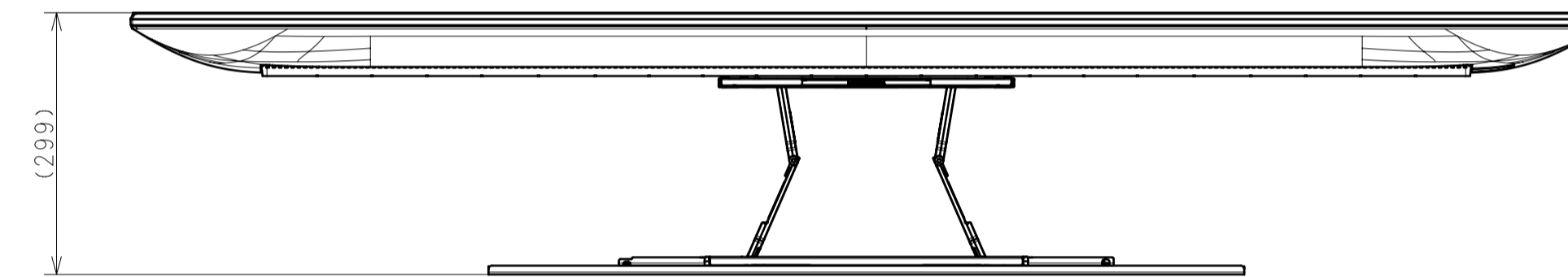
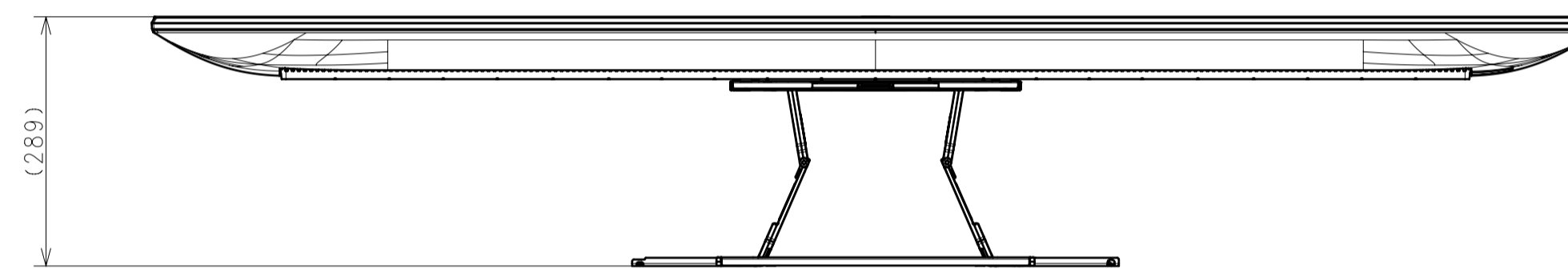
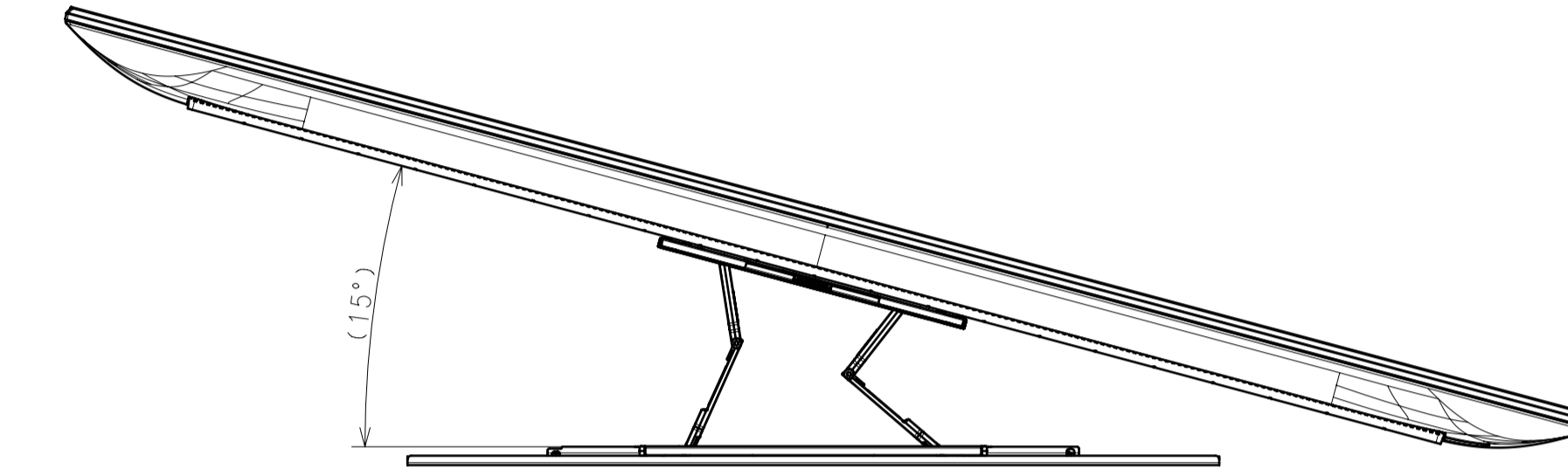
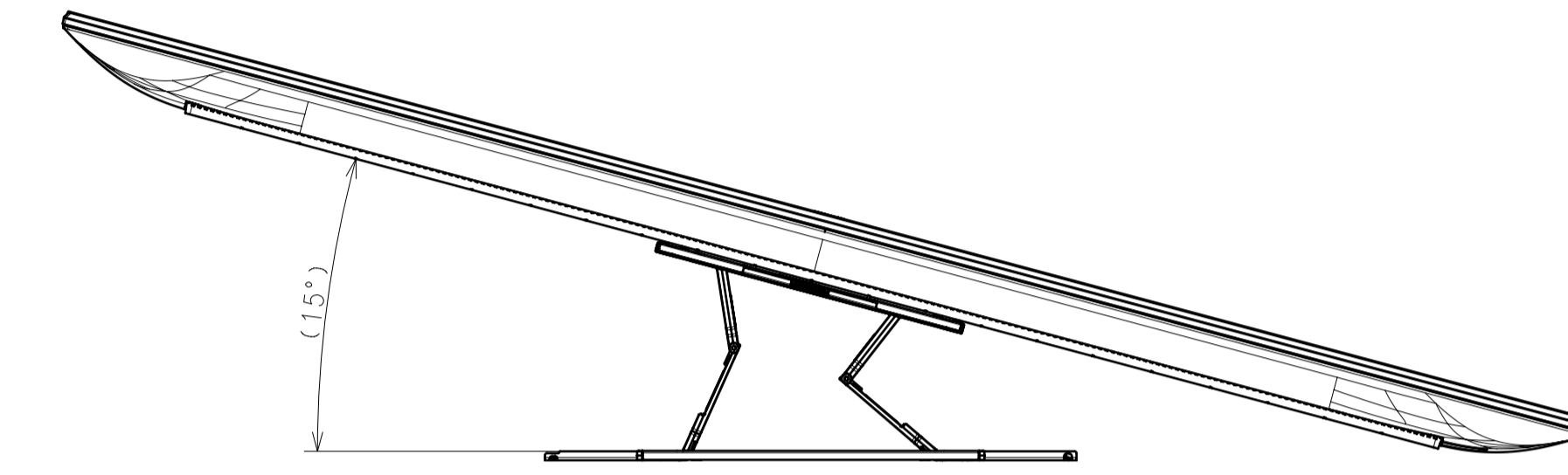
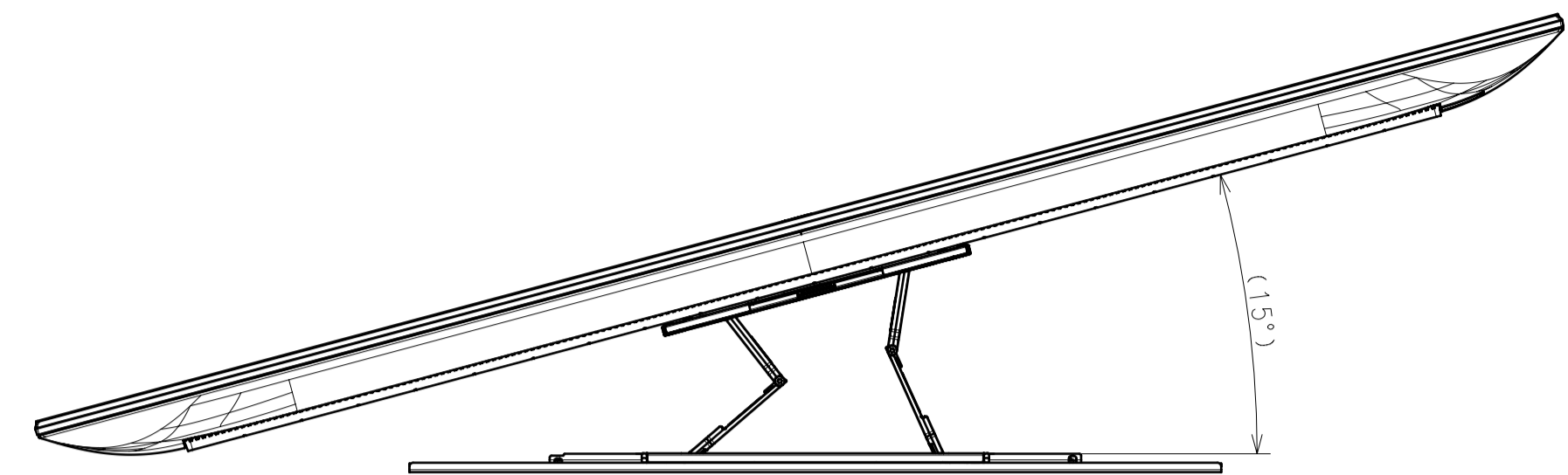
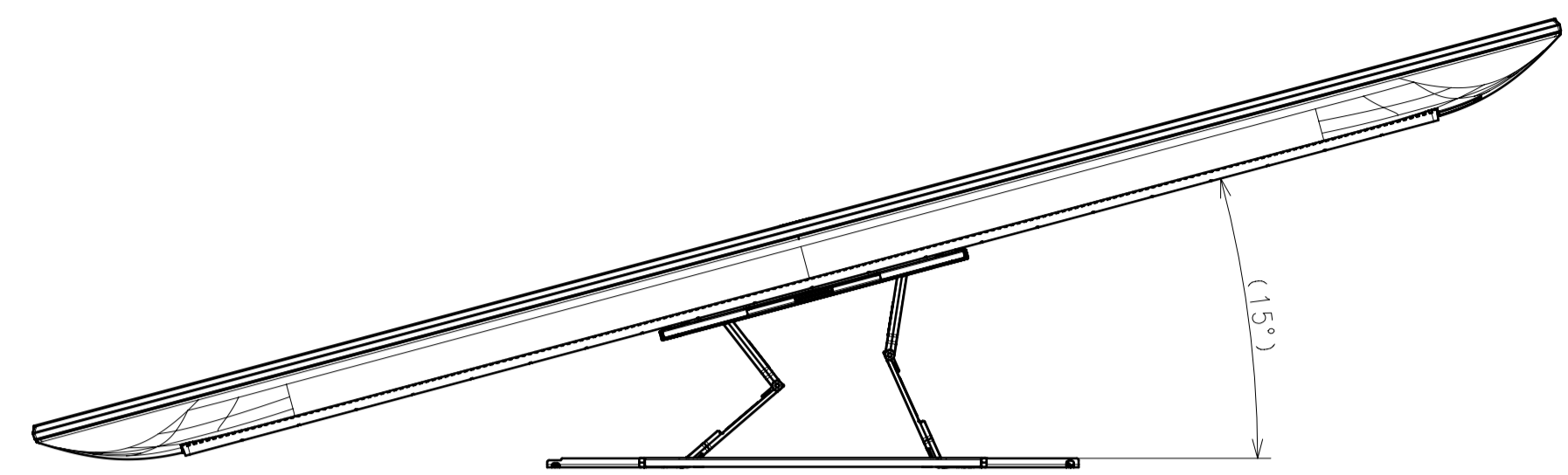
SLIM



DESCRIPTION 1	75(S30) EXTERIOR VIEW	LEGAL OWNER	Sony Corporation	SCALE	1:7
DESCRIPTION 2	75(S30) EXTERIOR VIEW	PART NO.		SHEET/PAGES	3/6

SU-WL 850

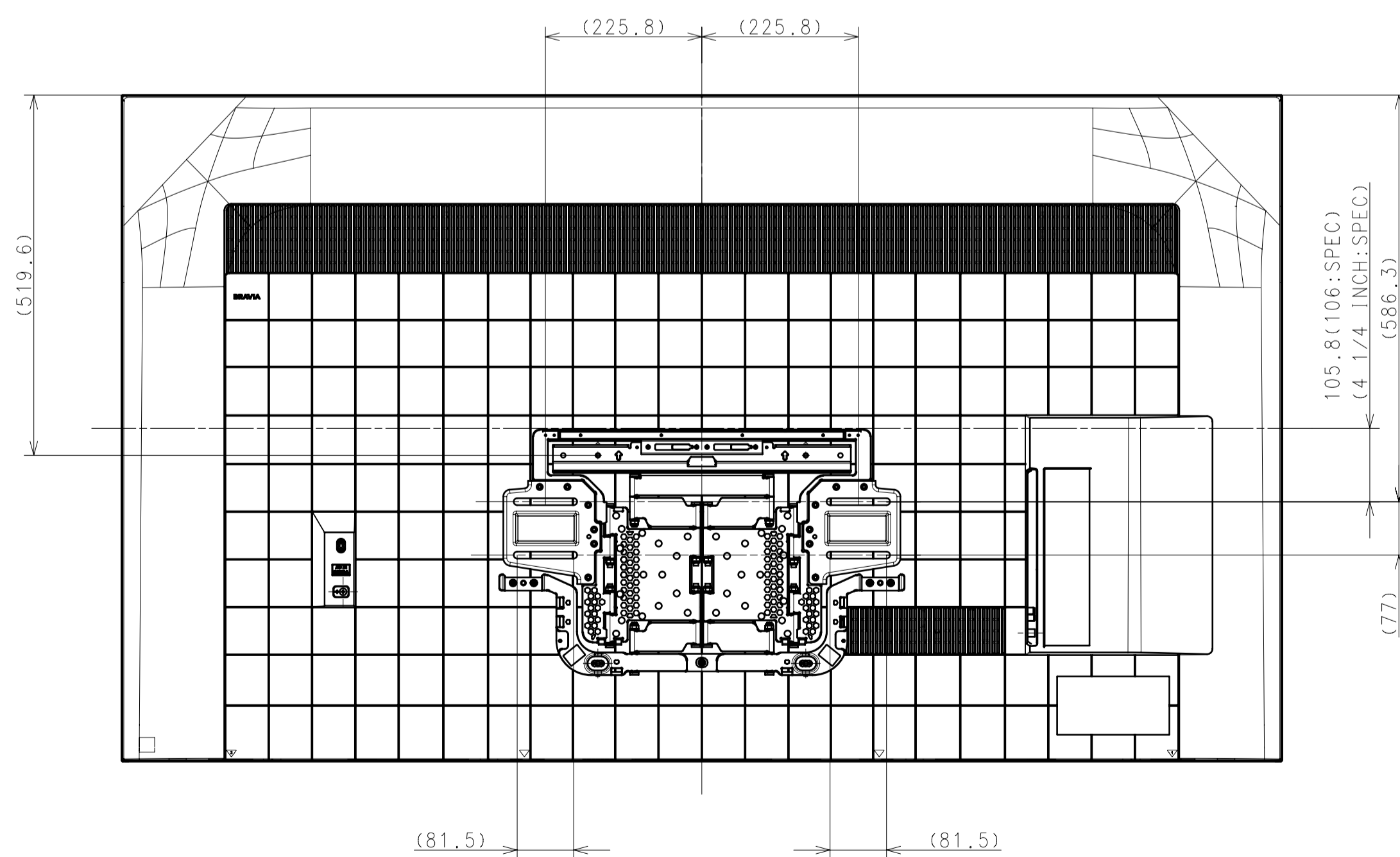
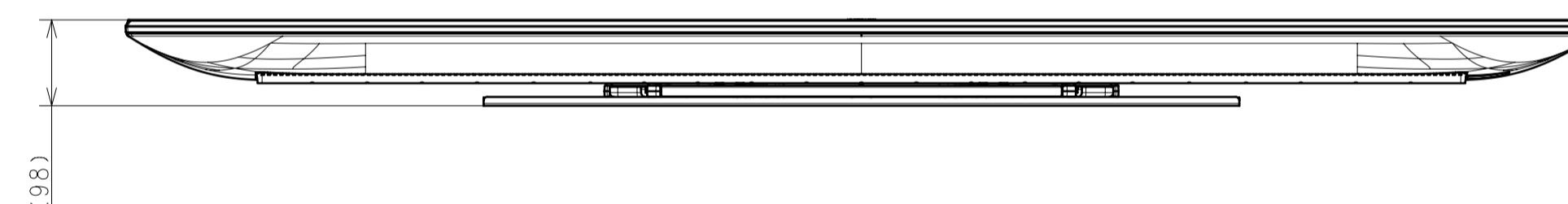
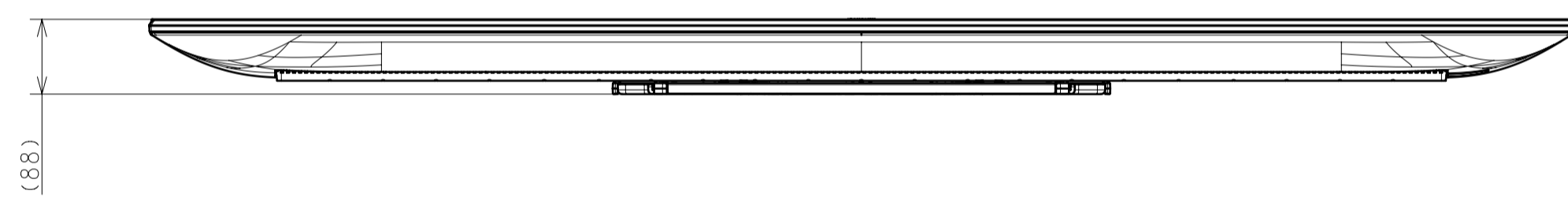
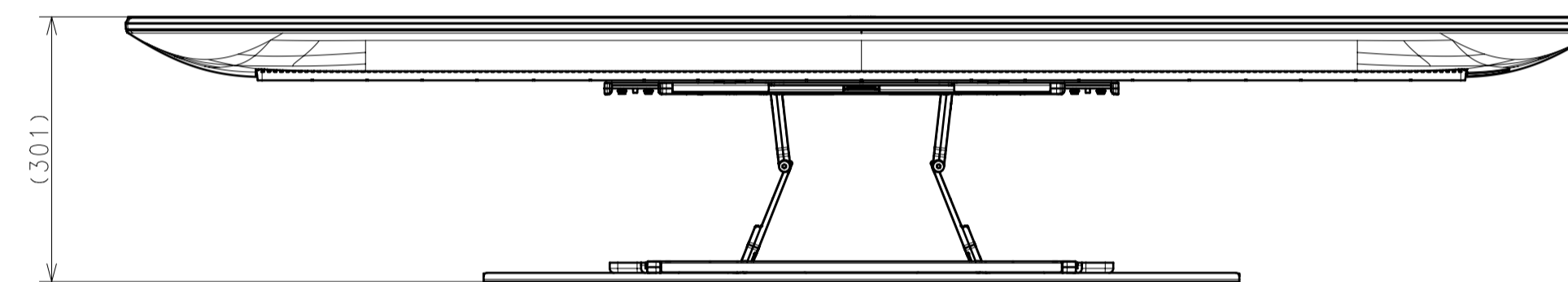
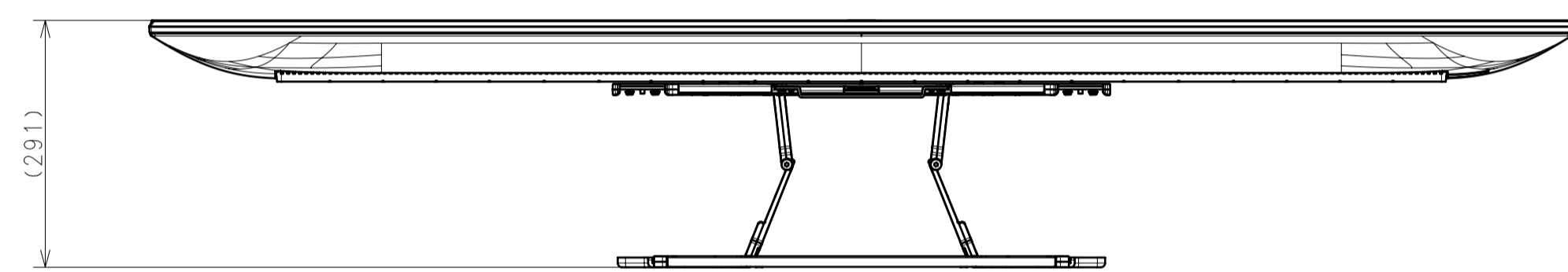
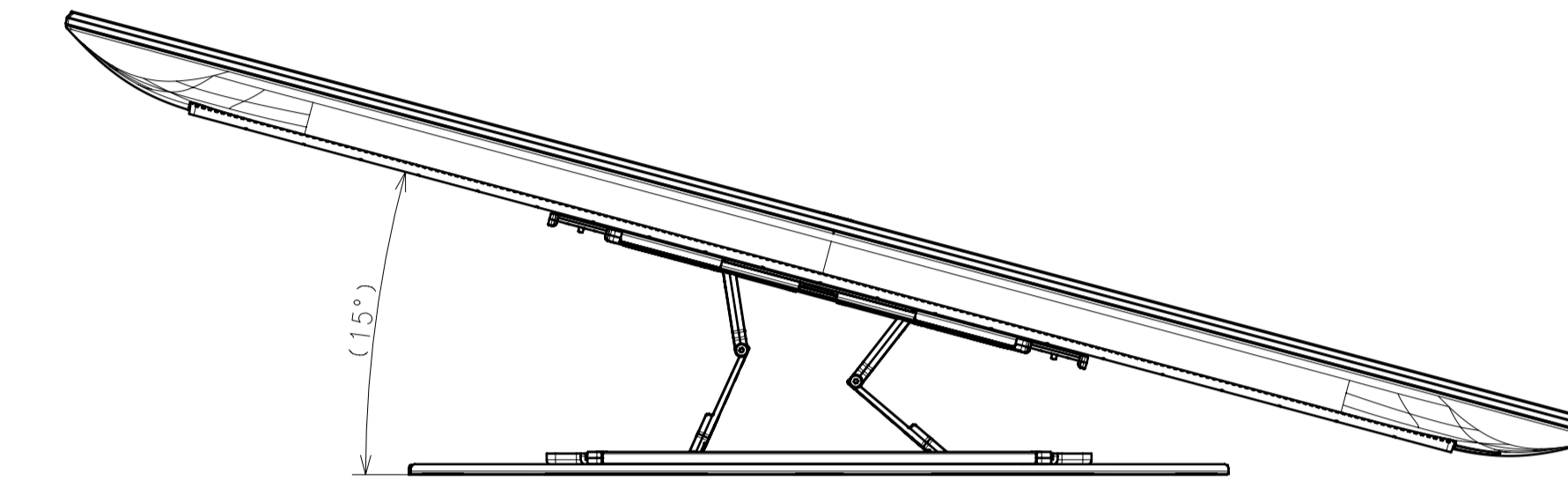
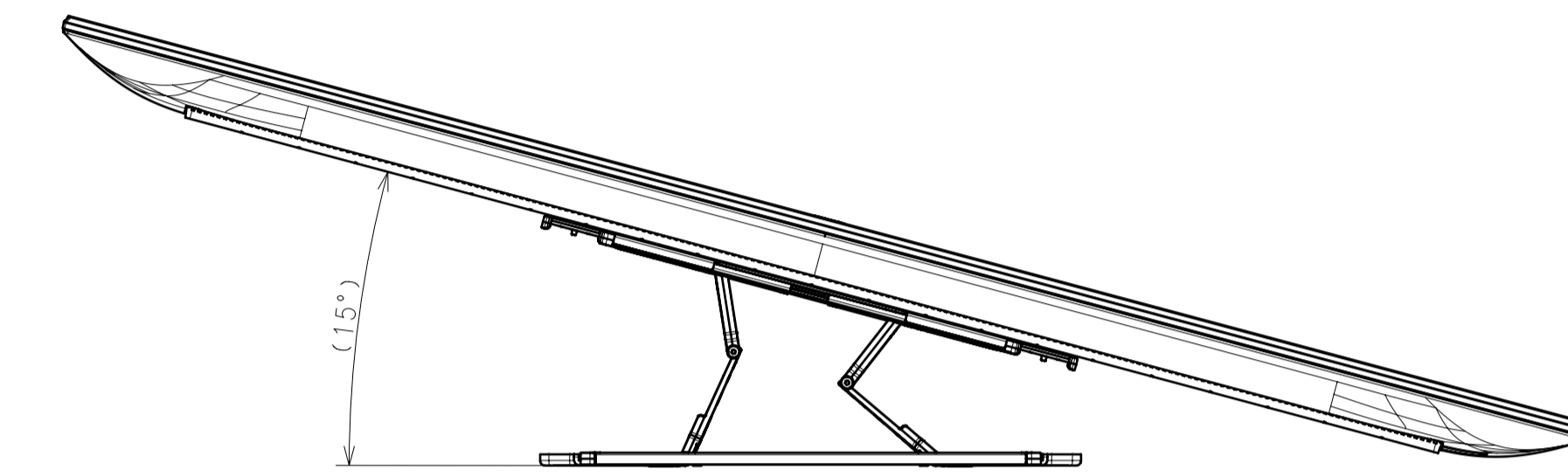
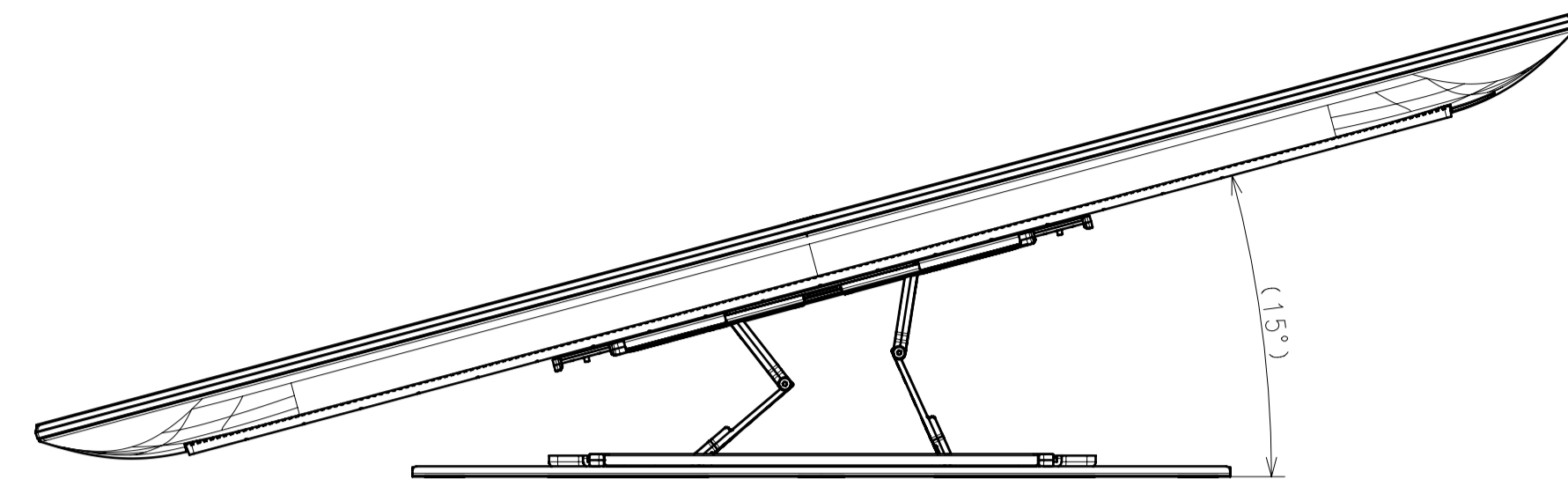
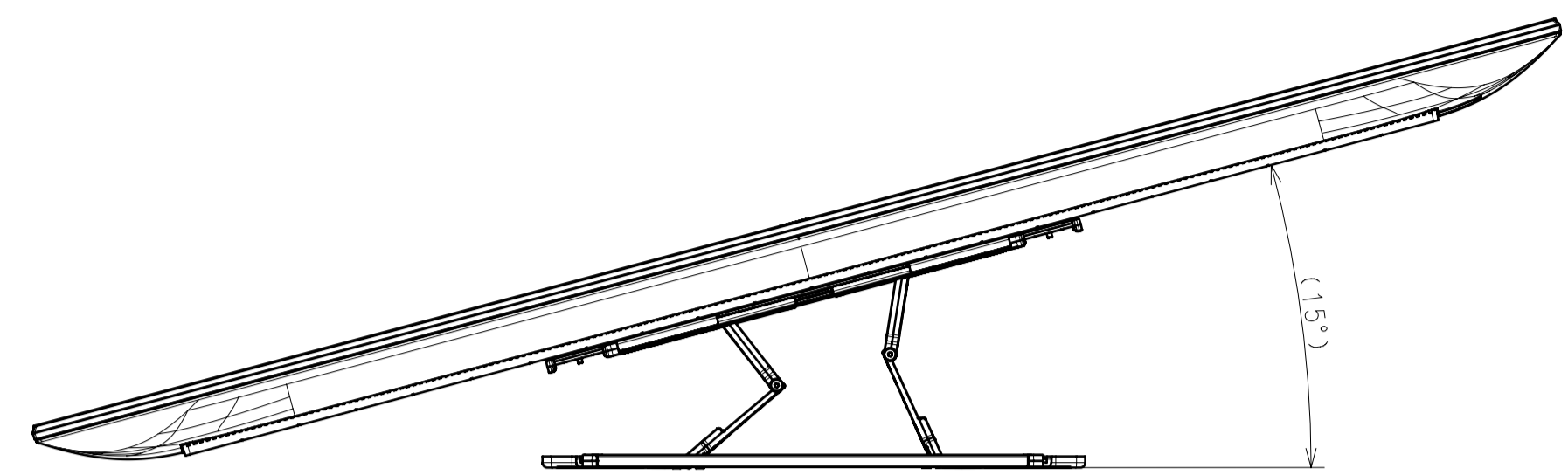
SU-WL 855 WITH LATERAL SHAFT BRACKET



DESCRIPTION 1	75(S30) EXTERIOR VIEW	LEGAL OWNER	Sony Corporation	SCALE	1:7
DESCRIPTION 2	75(S30) EXTERIOR VIEW	PART NO.		SHEET/PAGES	4/6

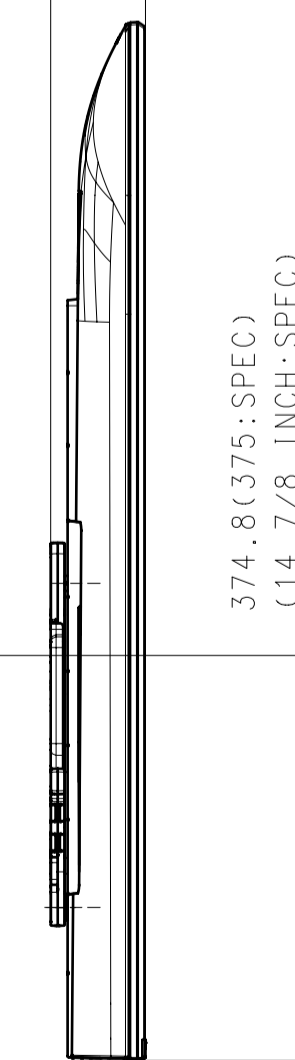
SU-WL 900 13mm

SU-WL 905 13mm WITH LATERAL SHAFT BRACKET

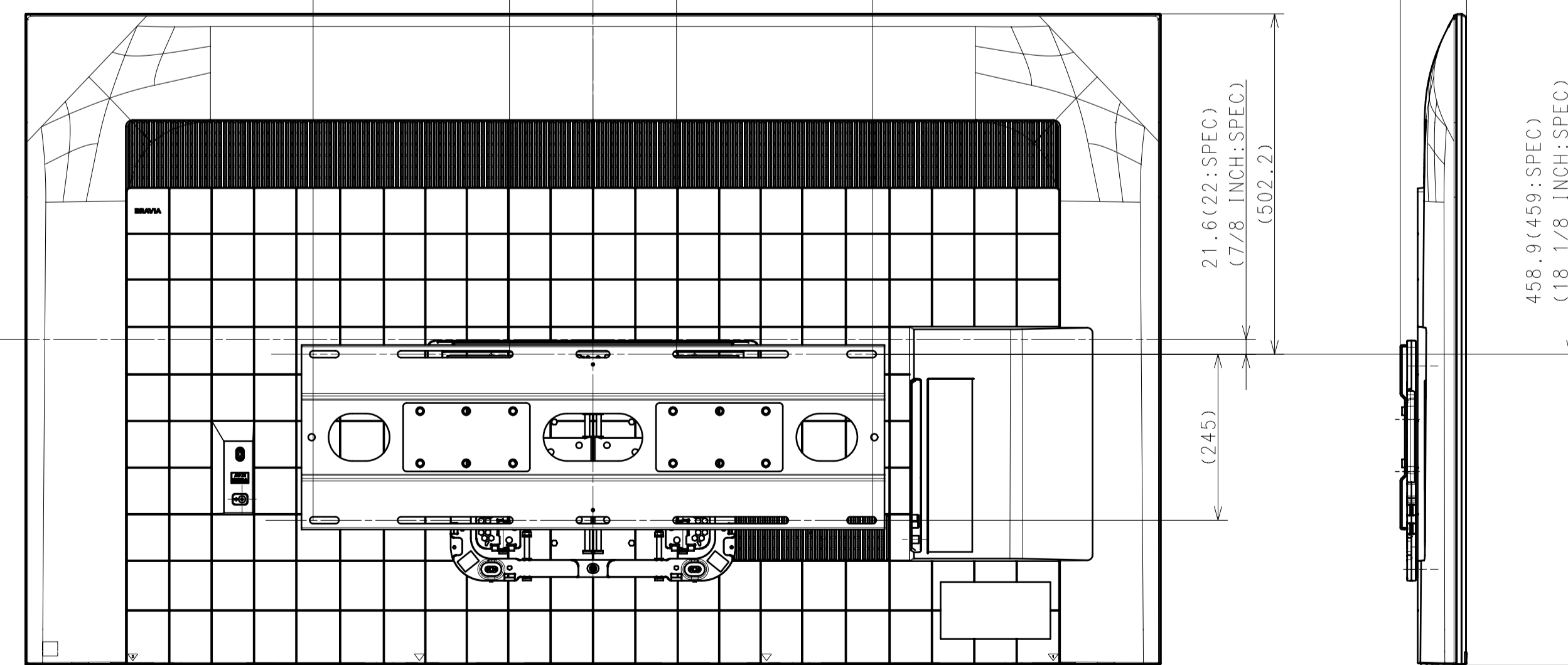


SLIM

87.7(85:SPEC)
(3 1/2 INCH:SPEC)



(412.8) (123.2) (412.8) (123.2) 97.7(98:SPEC)
(3 7/8 INCH:SPEC)



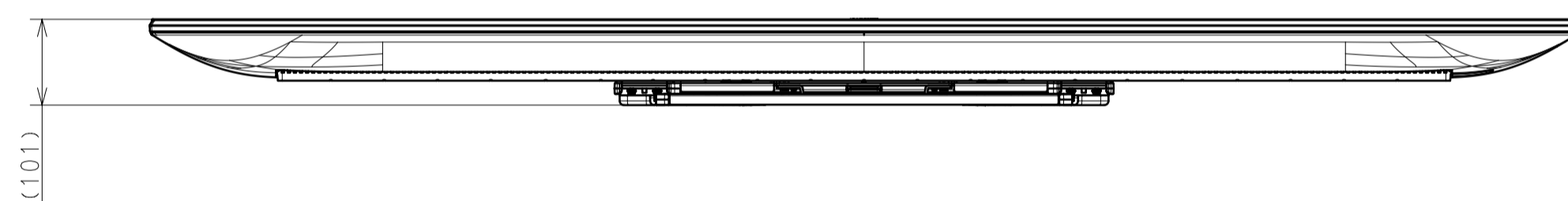
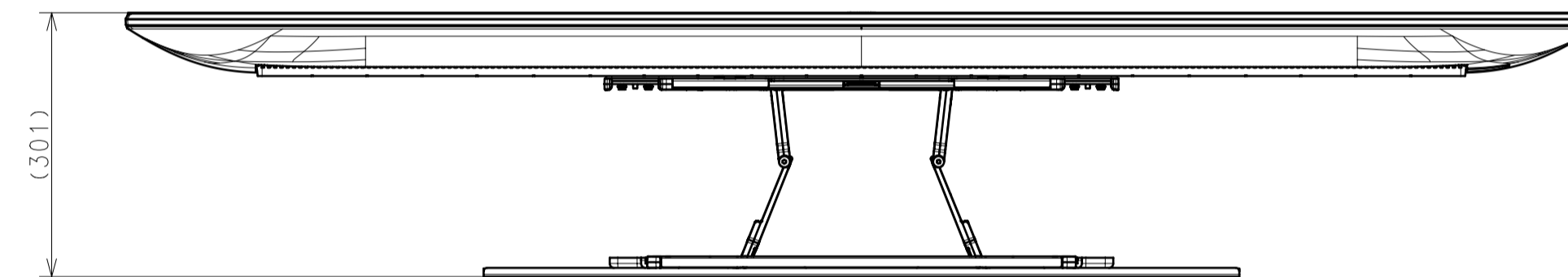
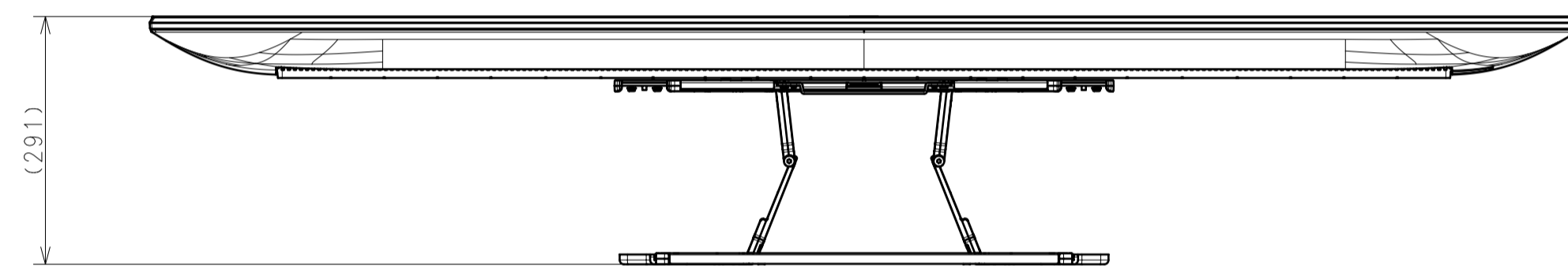
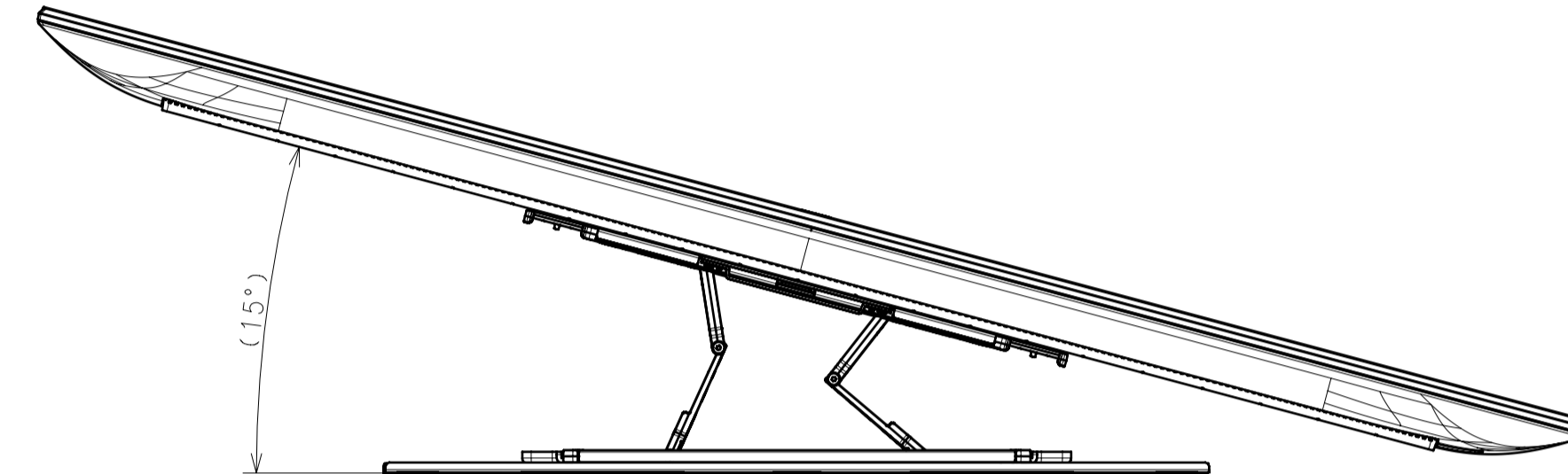
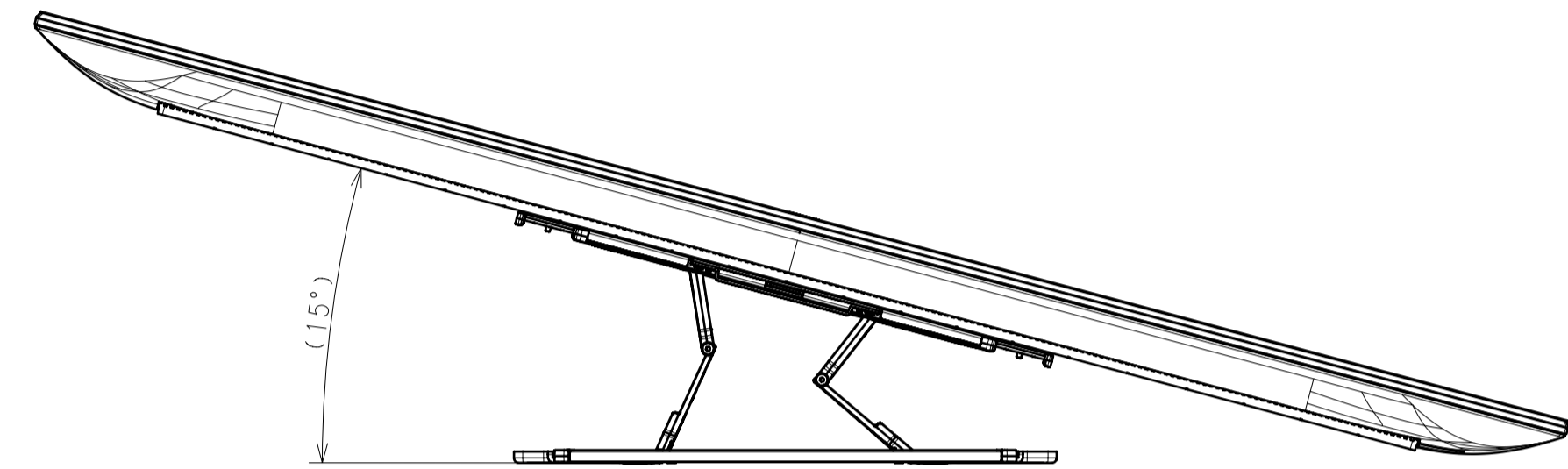
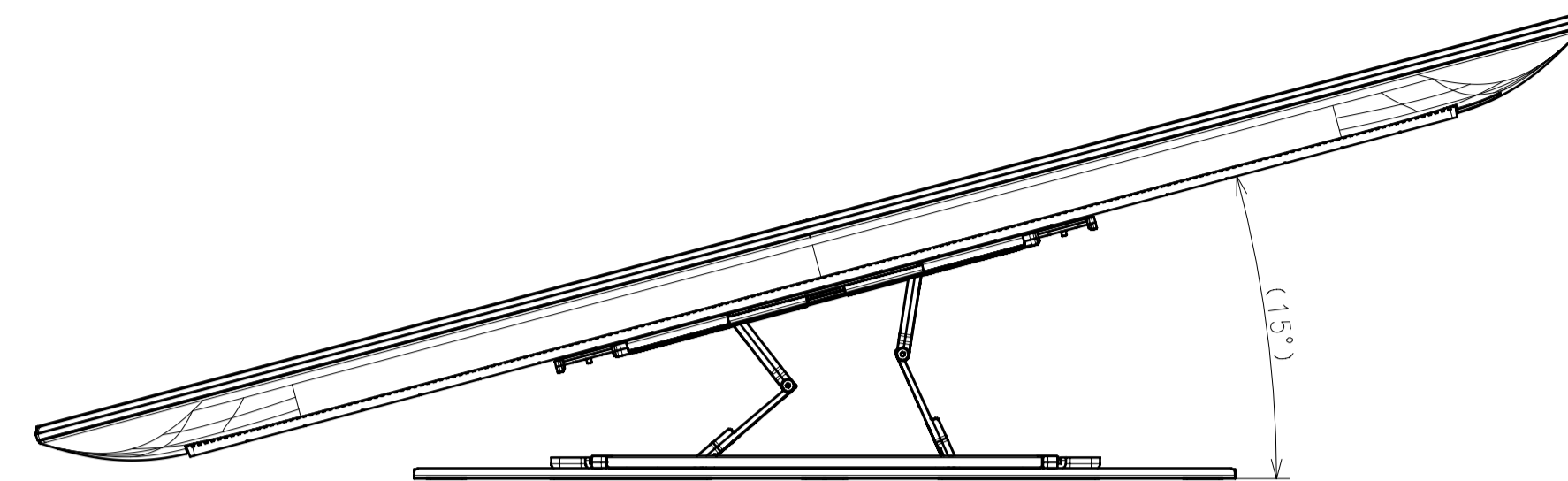
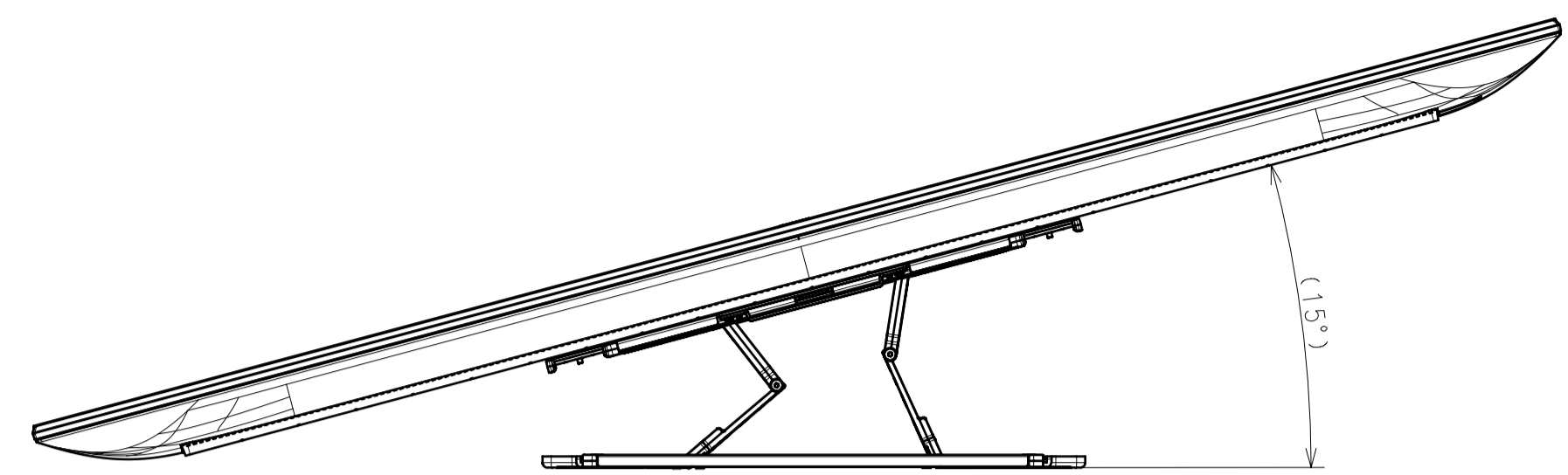
SLIM

458.9(459:SPEC)
(18 1/8 INCH:SPEC)

DESCRIPTIONS 75(S30) EXTERIOR VIEW	LEGAL OWNER Sony Corporation	SCALE 1:7
DESCRIPTIONS 75(S30) EXTERIOR VIEW	PART NO.	SHEET/PAGES 5/ 6

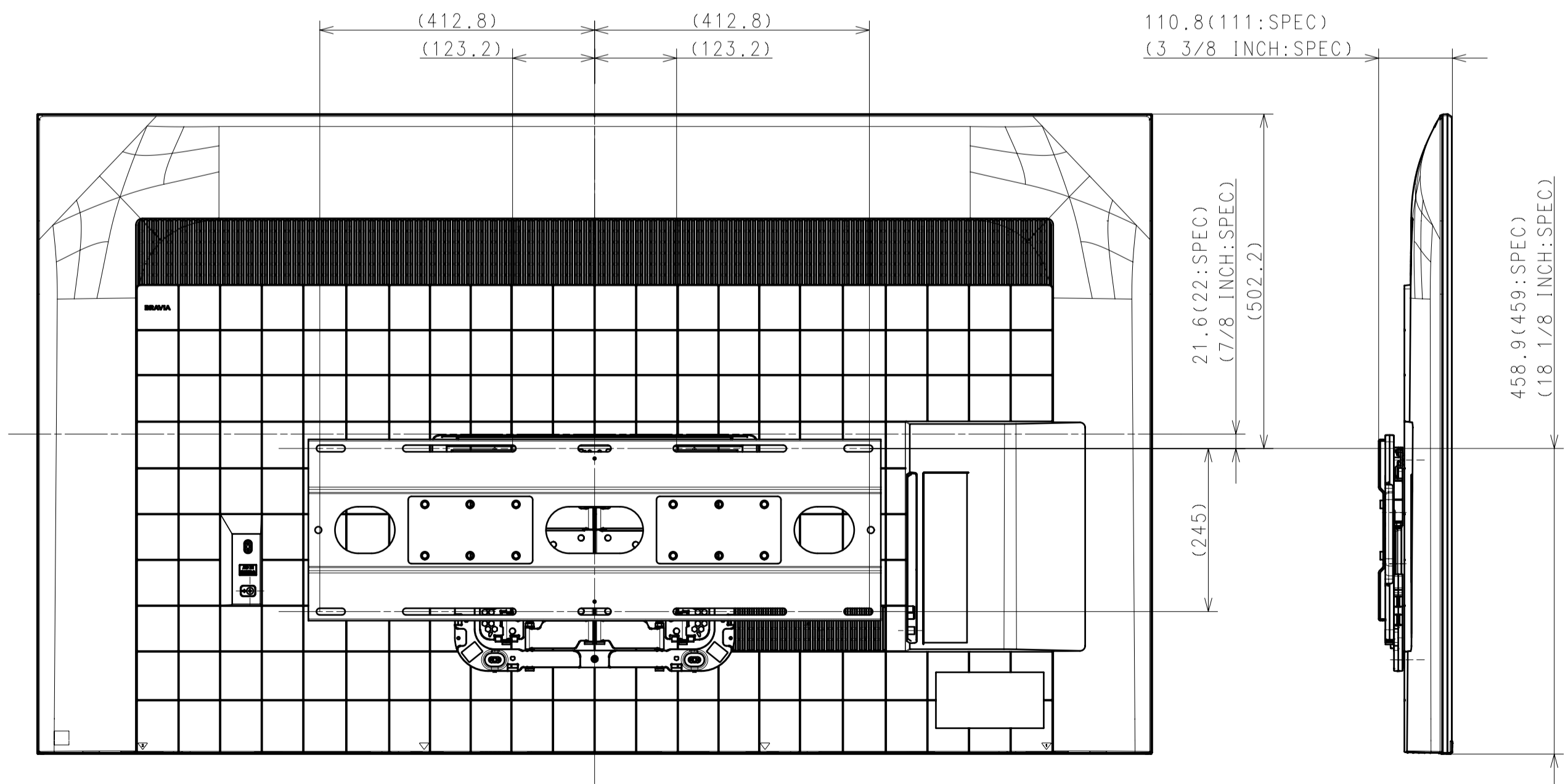
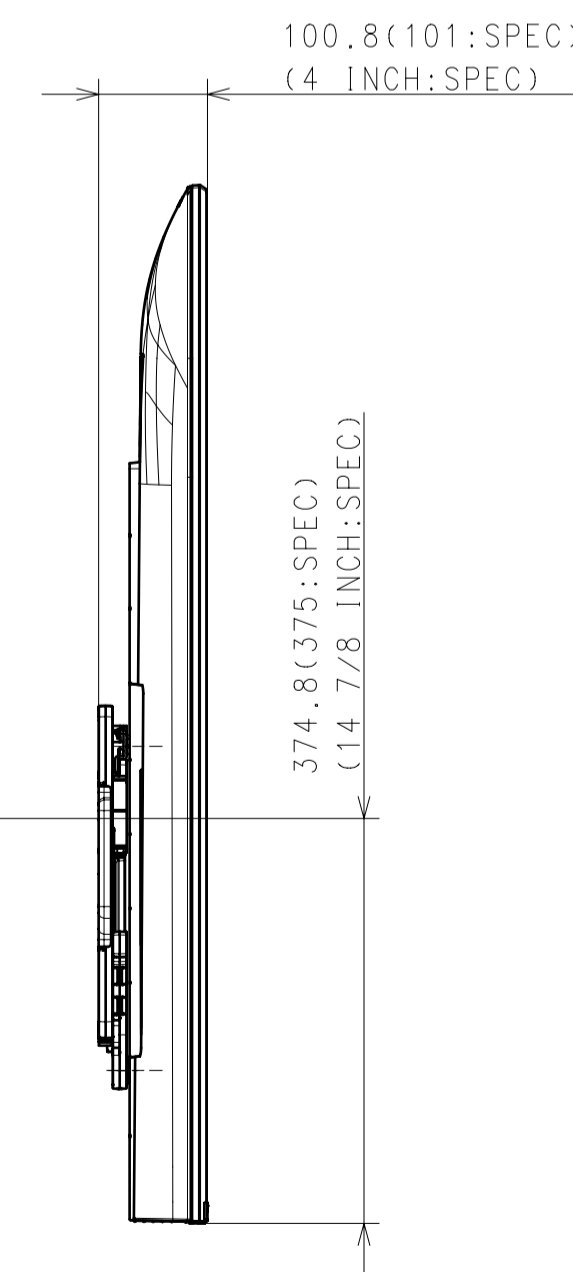
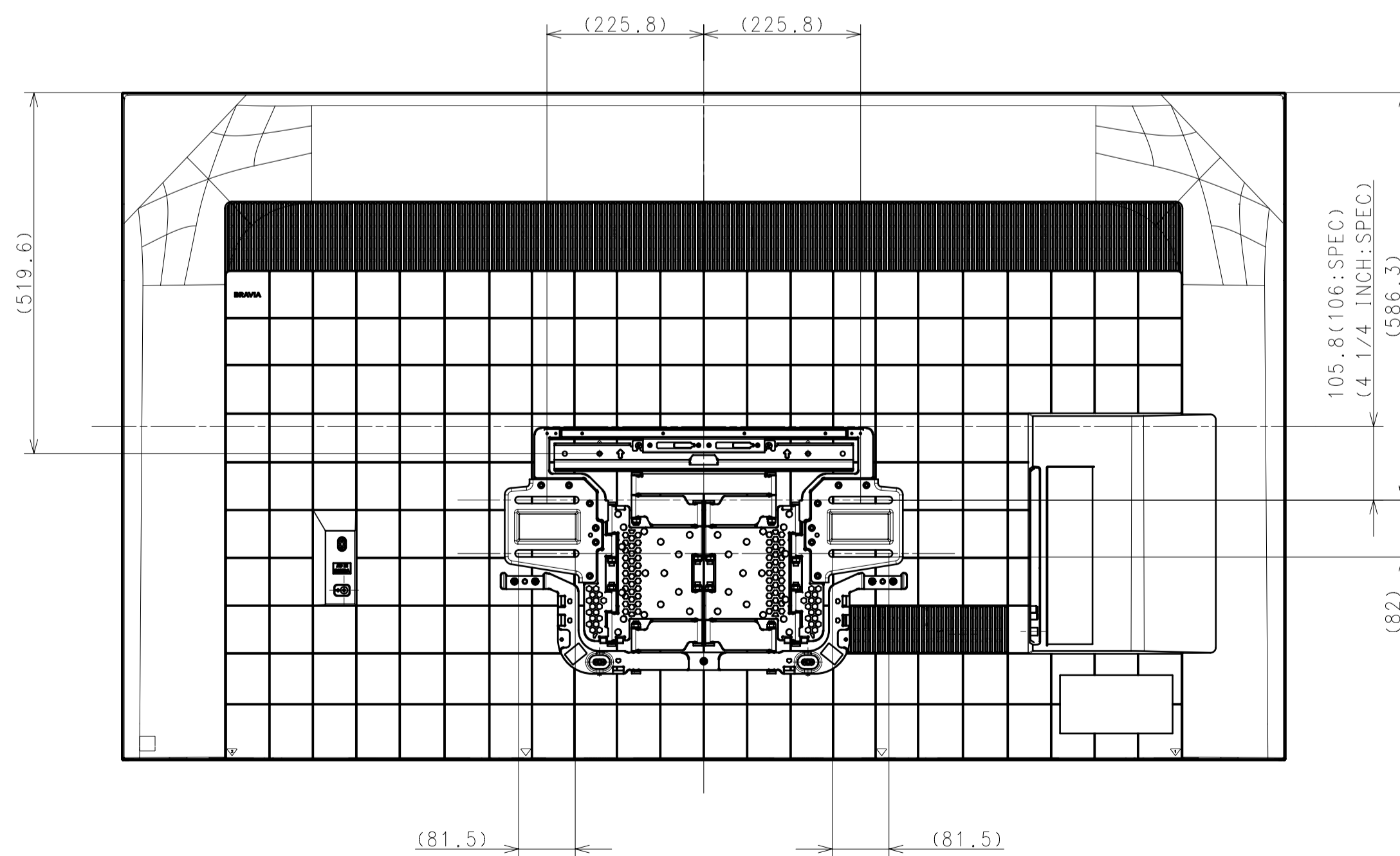
SU-WL 900 26mm

SU-WL 905 26mm WITH LATERAL SHAFT BRACKET



STANDARD

STANDARD



DESCRIPTIONS 75(S30) EXTERIOR VIEW	LEGAL OWNER Sony Corporation	SCALE 1:7
DESCRIPTIONS 75(S30) EXTERIOR VIEW	PART NO.	SHEET/PAGES 6/6