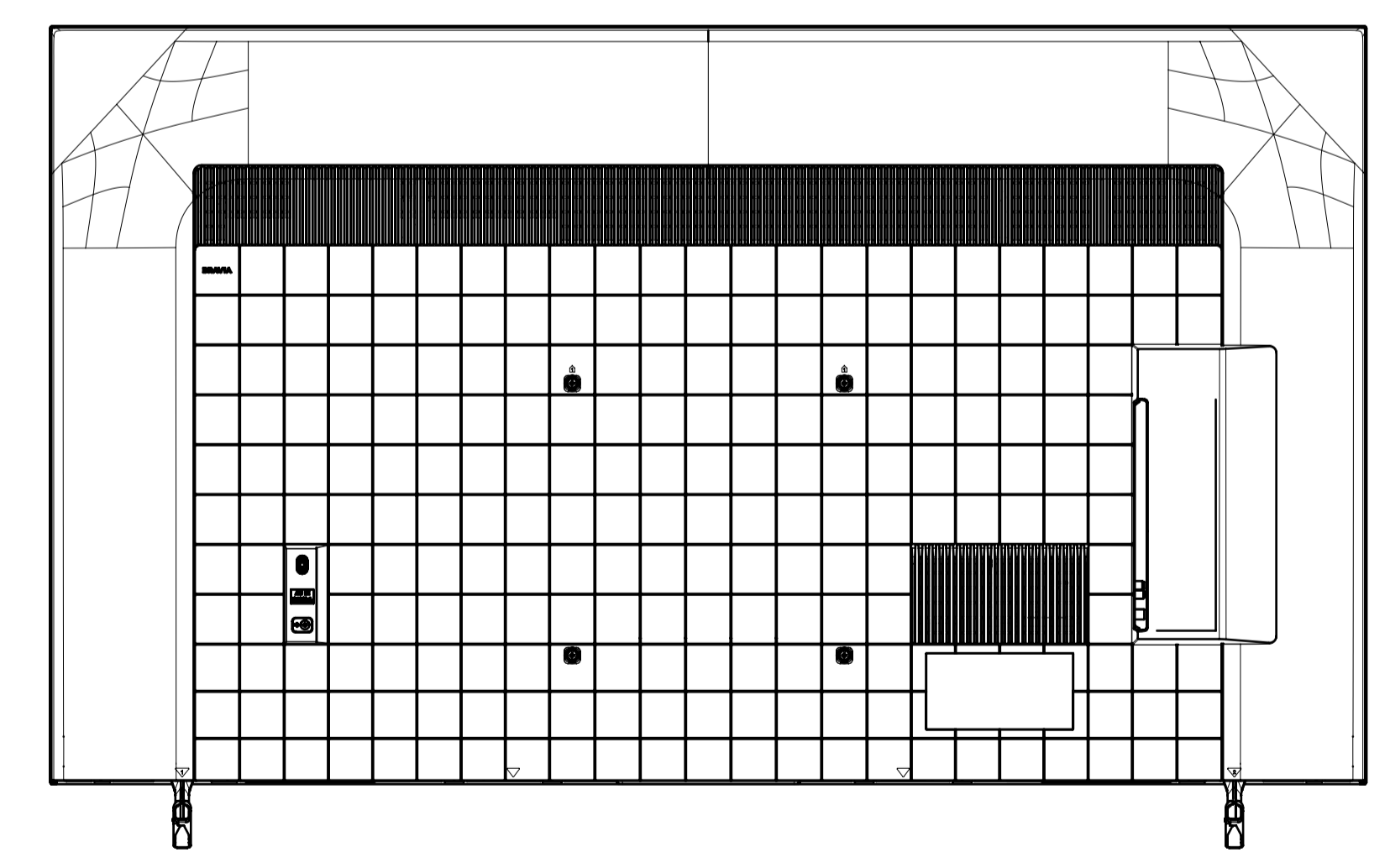
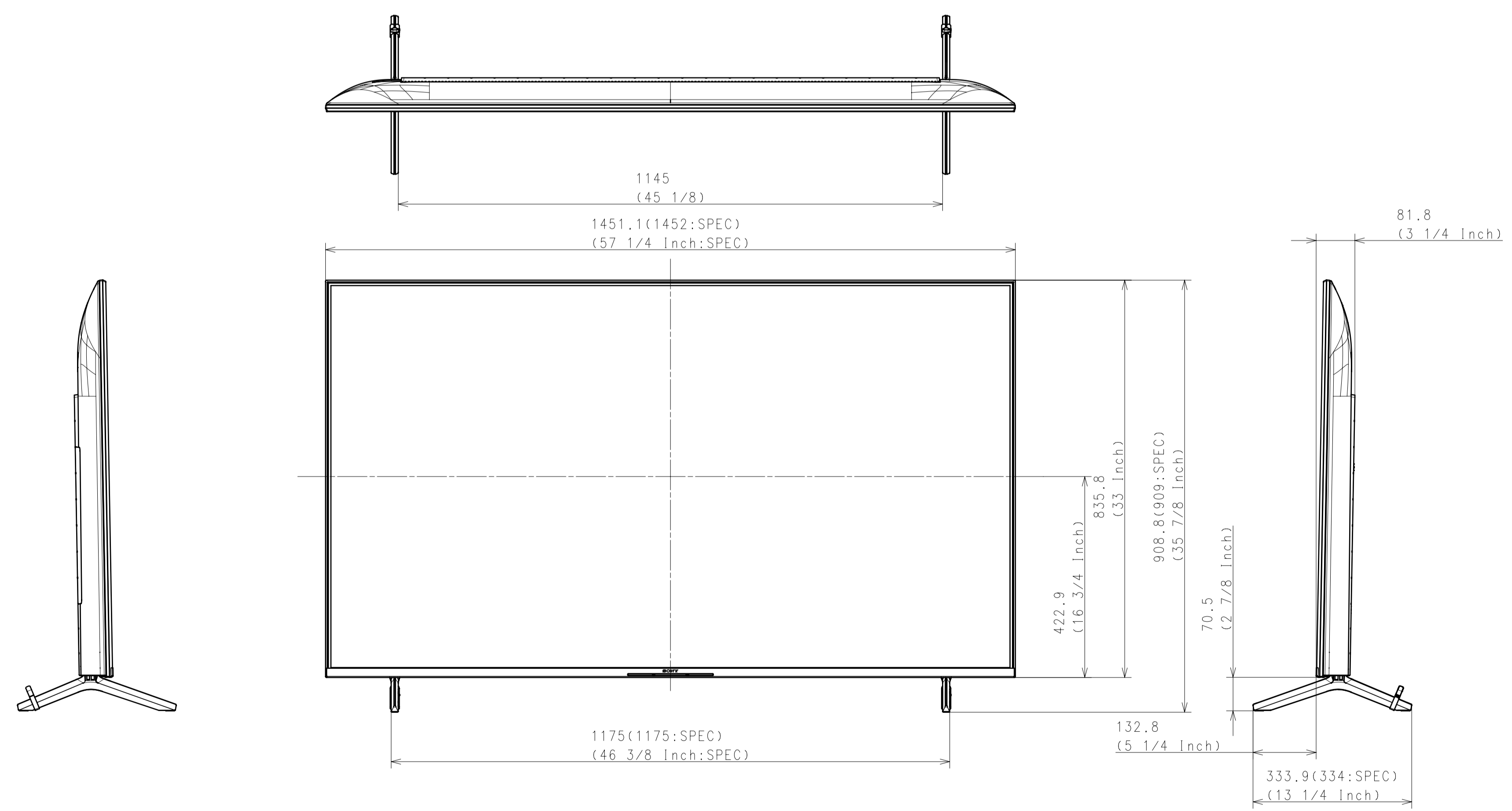


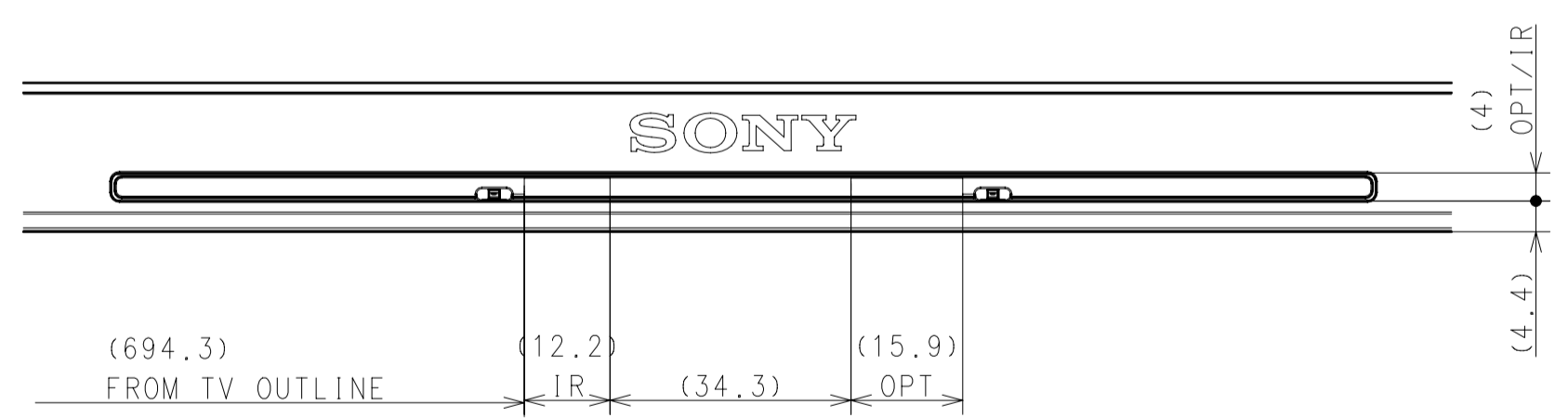
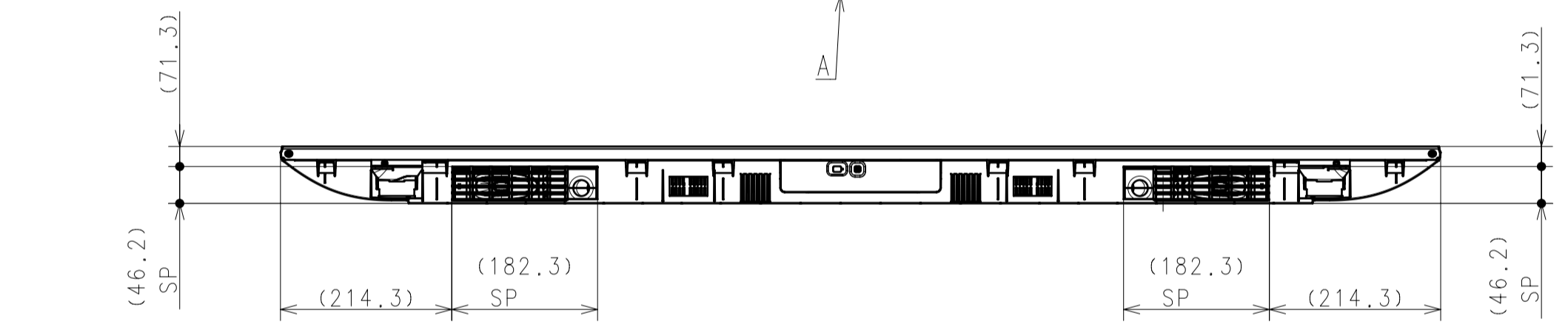
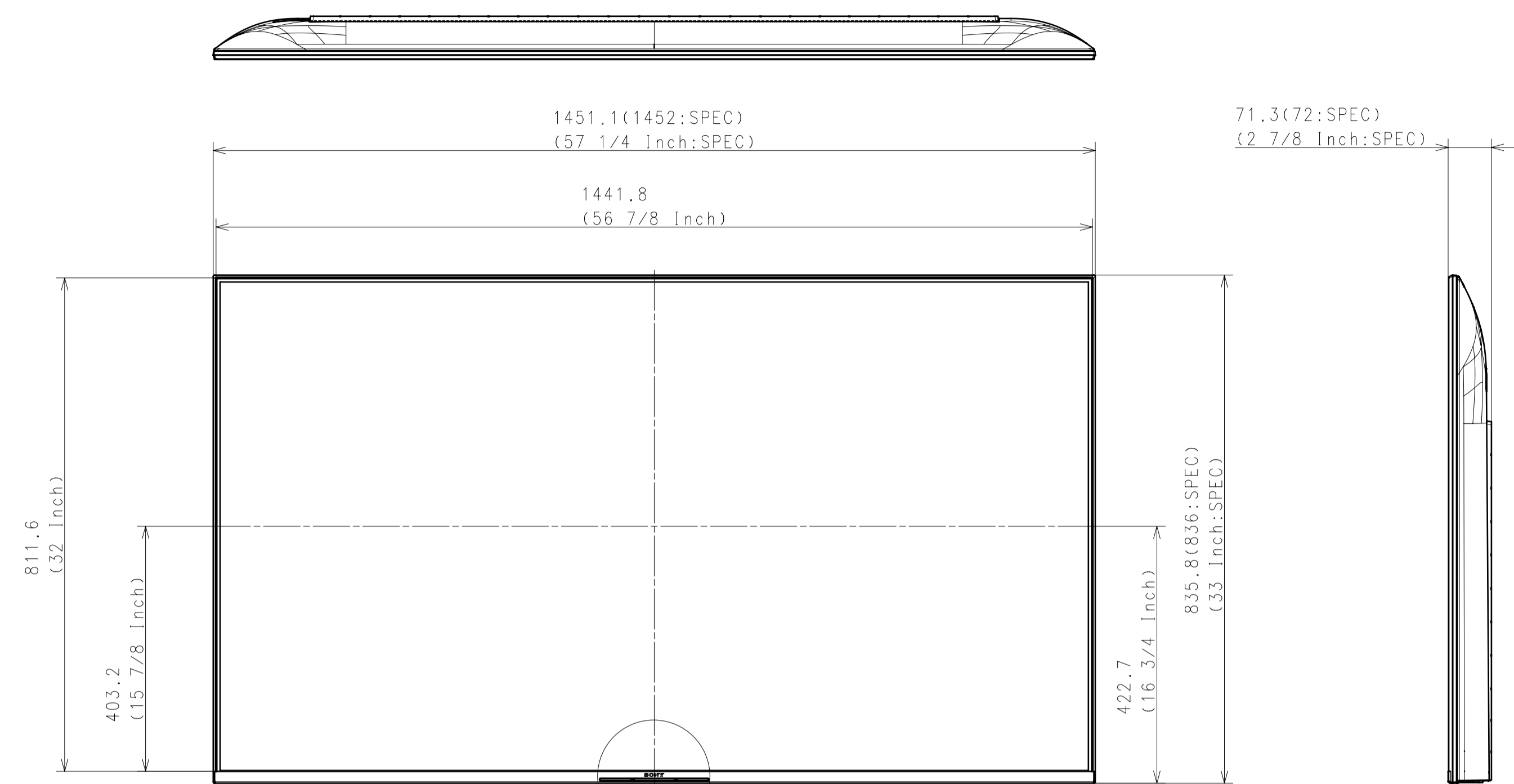
Area	NORTH AMERICA	LATIN AMERICA	GENERAL AREA + IN5 stand models	IN5 Stand-less	
Model Name	K-65S30	K-65S30	K-65S30	K-65S30	
SV No.	SV-42003	SV-42013	SV-42024	SV-42037	
DIMENSION	TV only (W x H x D)	1452 x 836 x 72 mm / 57 1/4 x 33 x 2 7/8 inch	1452 x 836 x 72 mm	Approx. 1452 x 836 x 72 mm	
	TV only with camera (W x H x D)	-	-	-	
	TV with Stand (Outside) (W x H x D)	1452 x 909 x 334 mm / 57 1/4 x 35 7/8 x 13 1/4 inch	1452 x 909 x 334 mm	Approx. 1452 x 909 x 334 mm	-
	TV with Stand (Inside) (W x H x D)	-	-	-	-
	TV with Stand (Outside for Soundbar) (W x H x D)	-	-	-	-
	TV with Stand (Inside for Soundbar) (W x H x D)	-	-	-	-
	TV with Stand (Front position style) (W x H x D)	-	-	-	-
	TV with Stand (Back position style) (W x H x D)	-	-	-	-
	TV with Floor Stand (W x H x D)	-	-	-	-
	Stand Width (Outside)	1175 mm / 46 3/8 inch	1175 mm	Approx. 1175 mm	-
	Stand Width (Inside)	-	-	-	-
	Stand Width (Outside for Soundbar)	-	-	-	-
	Stand Width (Inside for Soundbar)	-	-	-	-
	Stand Width (Front position style)	-	-	-	-
Stand Width (Back position style)	-	-	-	-	
Floor Stand Width	-	-	-	-	
VESA Hole Pitch	300 x 300 mm / 11 7/8 x 11 7/8 inch	300 x 300 mm	300 x 300 mm	300 x 300 mm	
TV Only	21.4 kg / 47.2 lb	21.4 kg	Approx. 20.7 kg	Approx. 20.7 kg	
TV with Stand (Outside)	21.7 kg / 47.8 lb	21.7 kg	Approx. 21 kg	-	
TV with Stand (Inside)	-	-	-	-	
TV with Stand (Outside for Soundbar)	-	-	-	-	
TV with Stand (Inside for Soundbar)	-	-	-	-	
TV with Stand (Front/Back position style)	-	-	-	-	
TV with Floor Stand	-	-	-	-	
Floor Stand weight (Supply)	-	-	-	-	
W-M't Br. Weight (Supply)	-	-	-	-	
Remarks	-	-	-	-	

WITH STAND

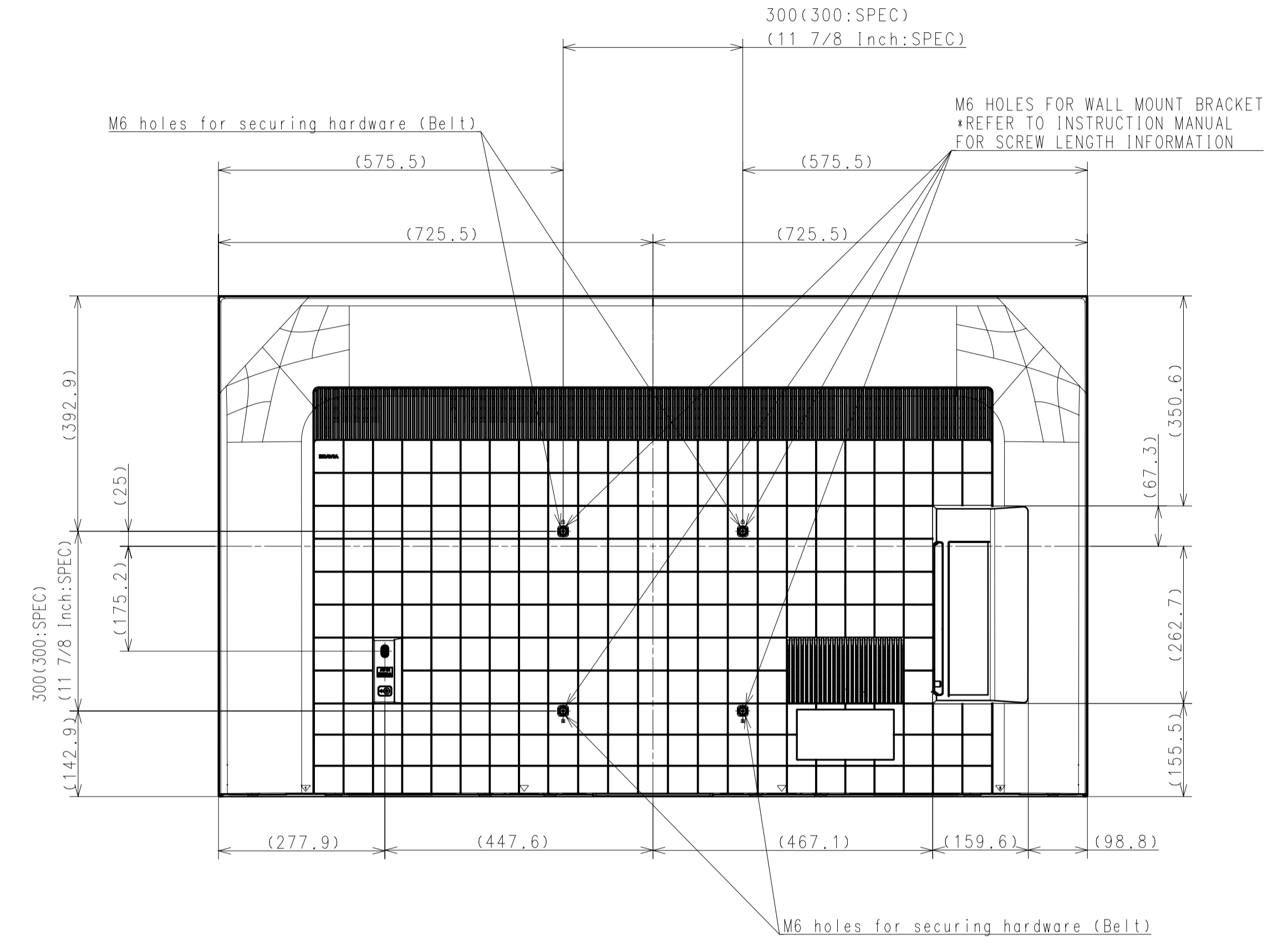


HISTORY & COUNT		SUFFIX AREA NO. REV.		RELEASE NO. DATE		REVISION		SIGN.		GENERAL TOLERANCE		DATE OF ISSUE 2024.01.09	
LEGAL OWNER		Sony Corporation		RESPONSIBLE DEPARTMENT		PANEL & MECHANICAL DESIGN		ORIGINAL MODEL		DESCRIPTION		65 (S30) EXTERIOR VIEW	
PLANNED BY		2024.01.09		DESIGNED BY		2024.01.09		APPROVED BY		SCALE		1:7	
DRAWN BY		2024.01.09		PRJ. METHOD		A1		UNIT		mm		SHEET/PAGES	
PART NO.		SUFFIX		REV. NO.		1/6		FINISH/COLOR		MATERIAL/COLOR		TOLERANCE/DRILLING (JIS & ISO/VDI 0193)	

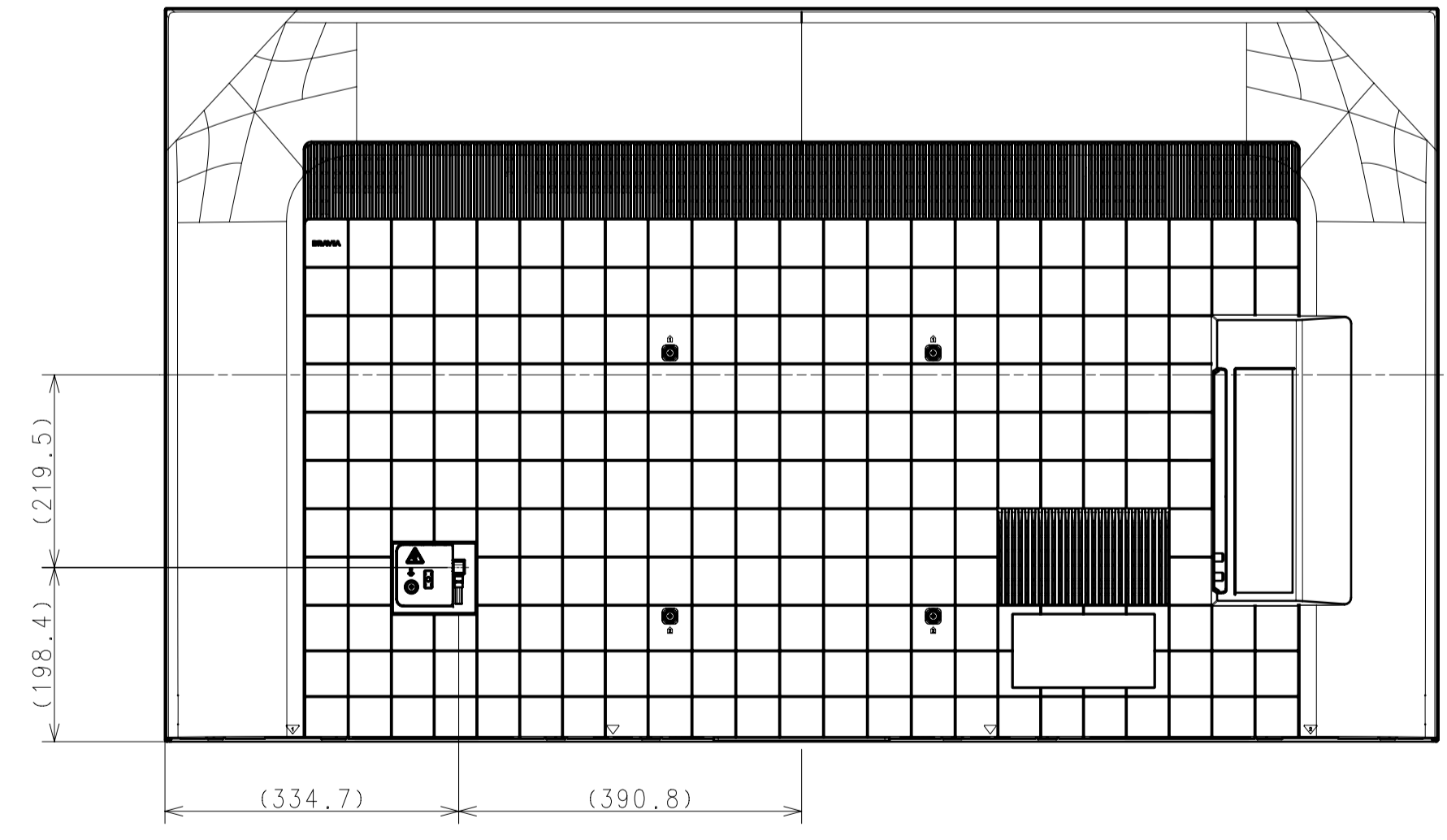
WITHOUT STAND



A
1:1



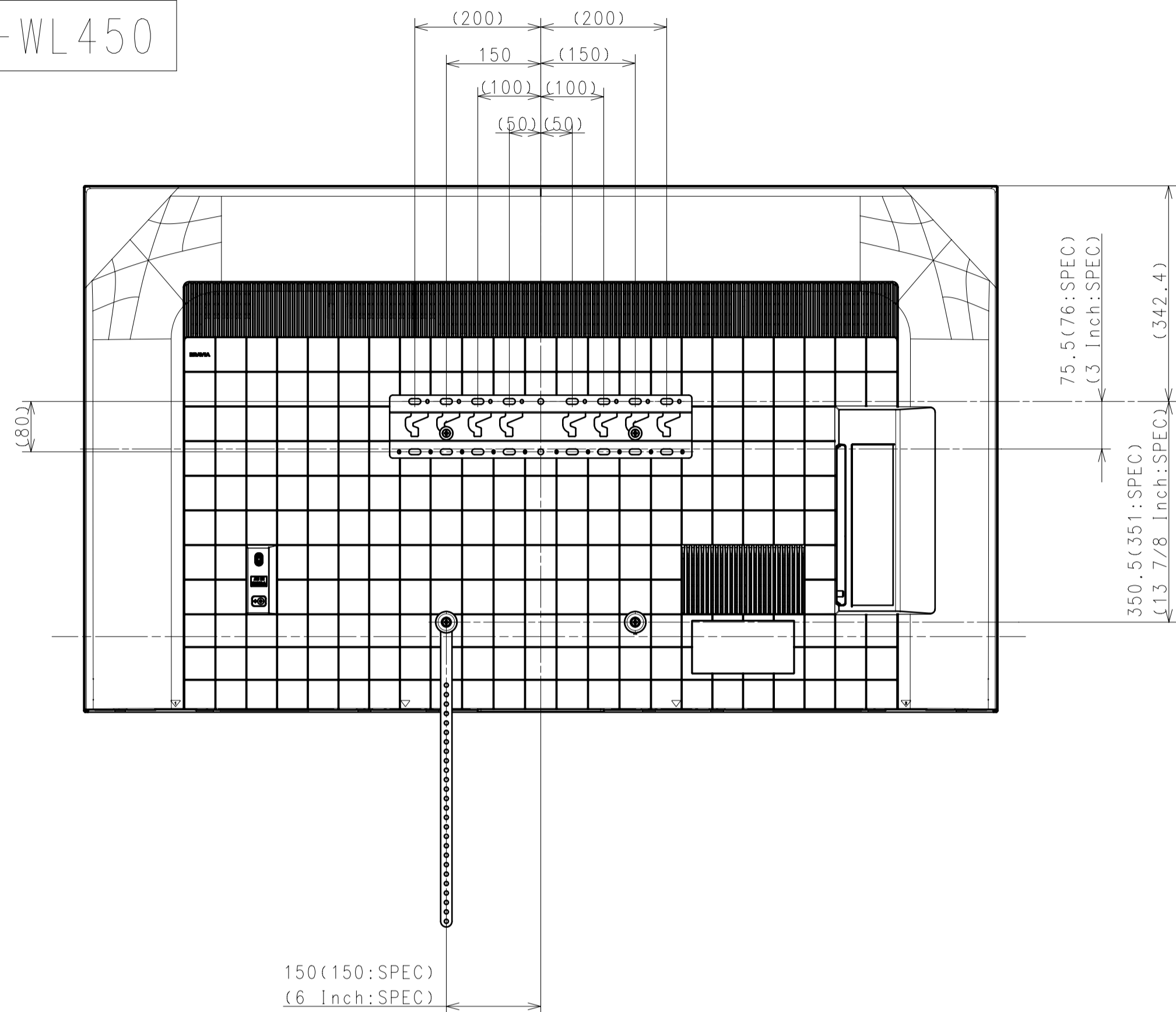
For GENERAL AREA, NORTH AMERICA



For INDIA, LATIN AMERICA

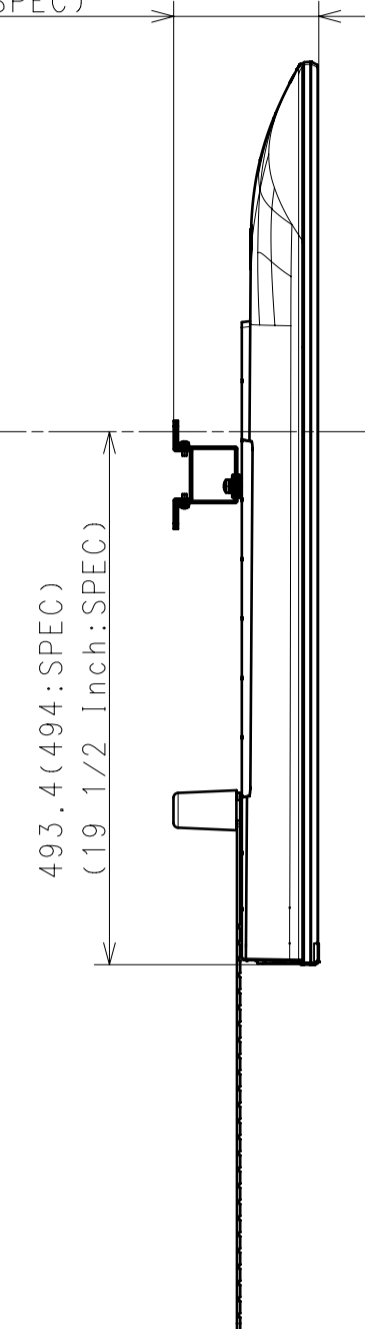
DESCRIPTION 1 65 (S30) EXTERIOR VIEW	LEGAL OWNER Sony Corporation	SCALE 1:7
DESCRIPTION 2 65 (S30) EXTERIOR VIEW	PART NO.	SHEET/PAGES 2 / 6

SU-WL450



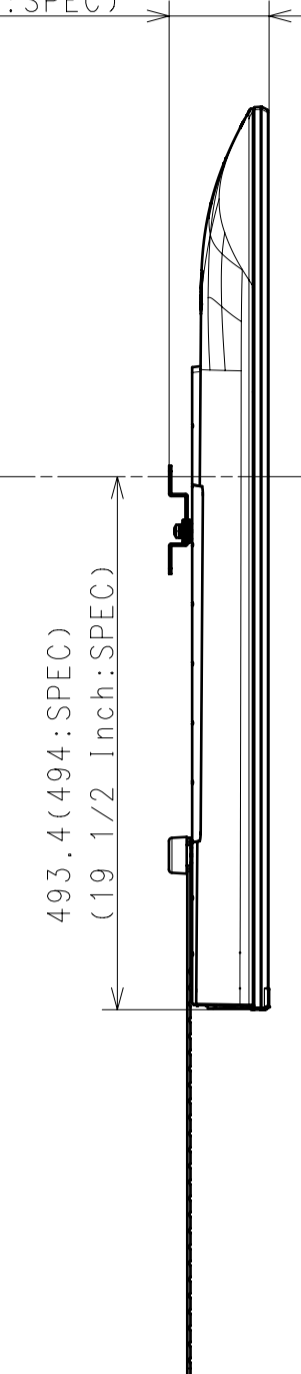
STANDARD

134.4 (135 : SPEC)
(5 3/8 Inch:SPEC)



SLIM

92.6 (93 : SPEC)
(3 3/4 Inch:SPEC)

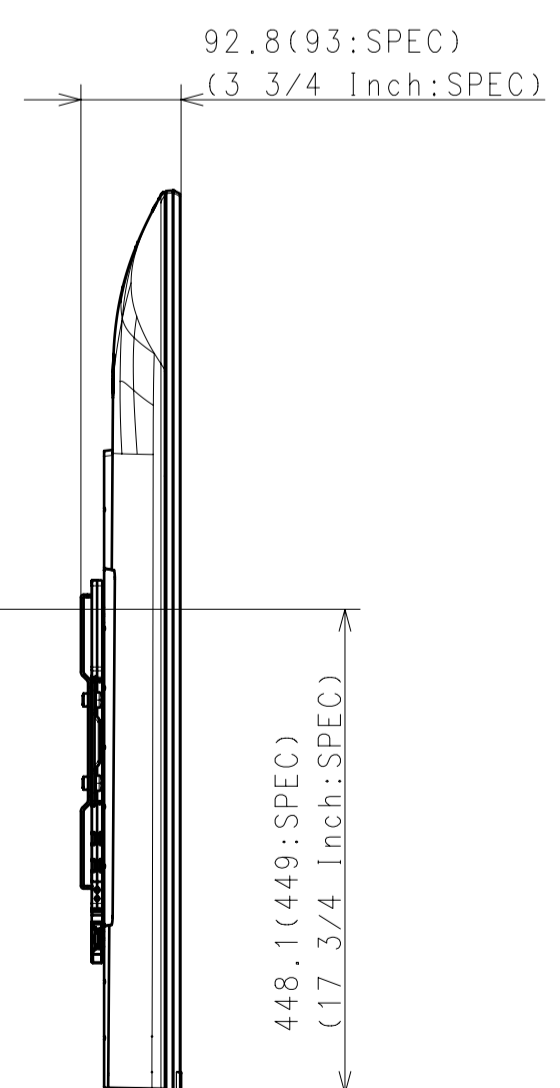
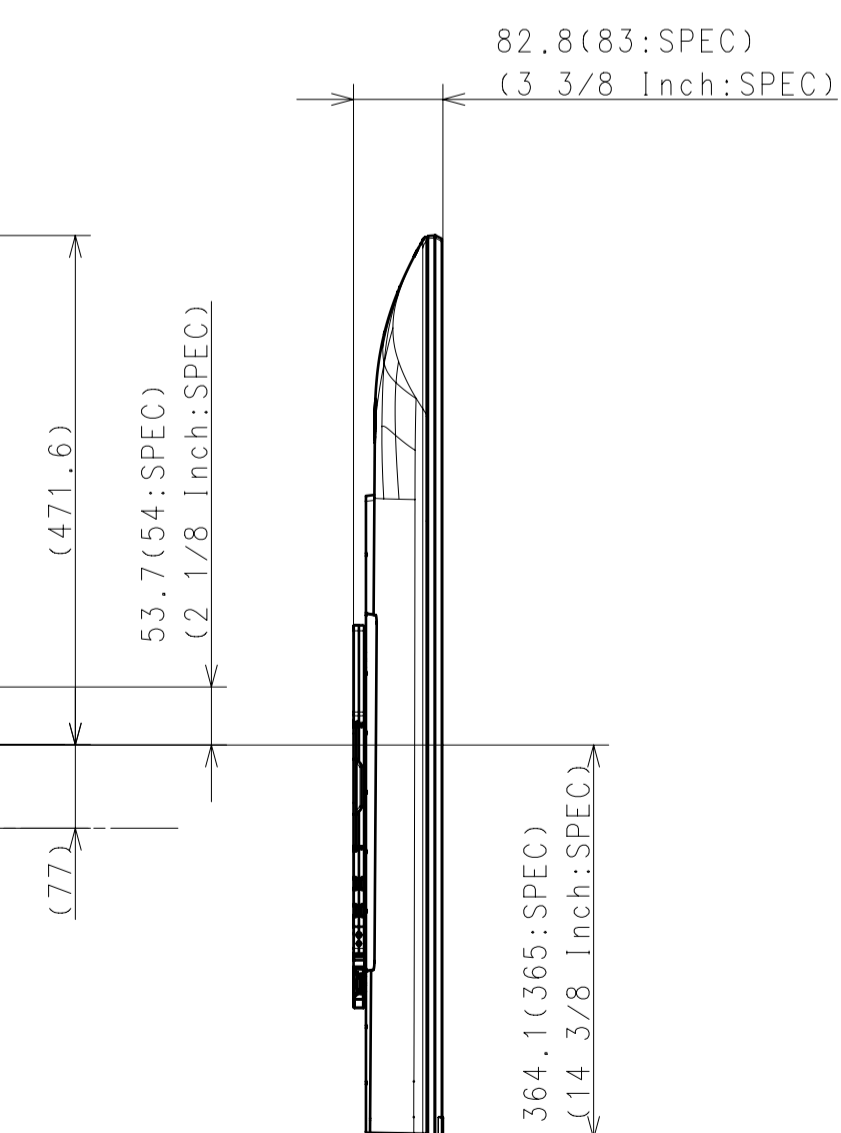
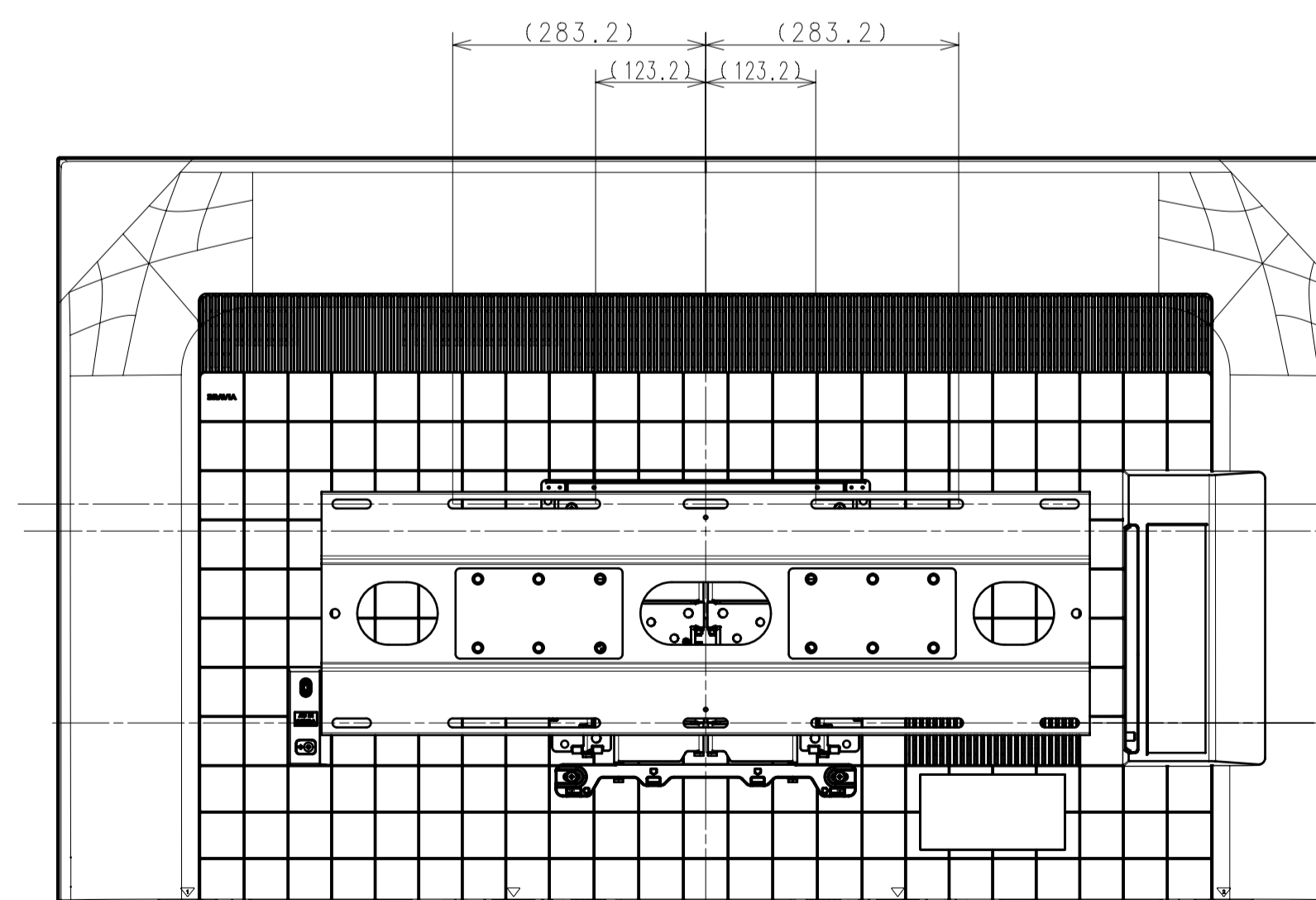
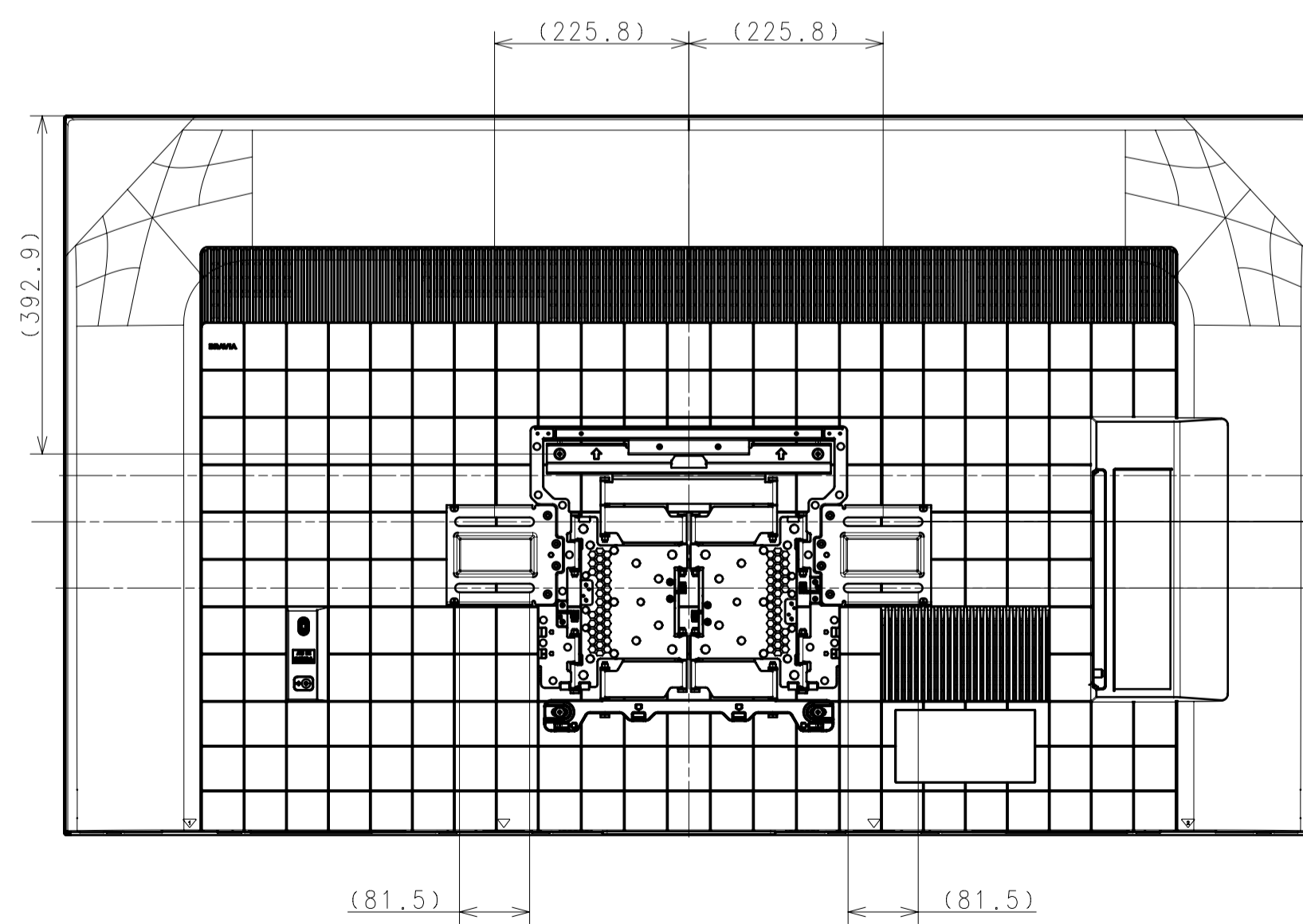
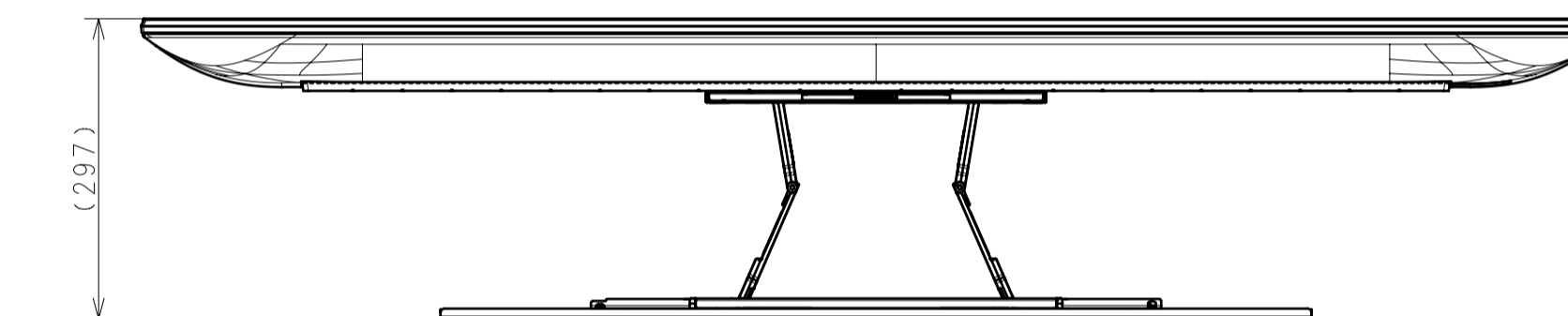
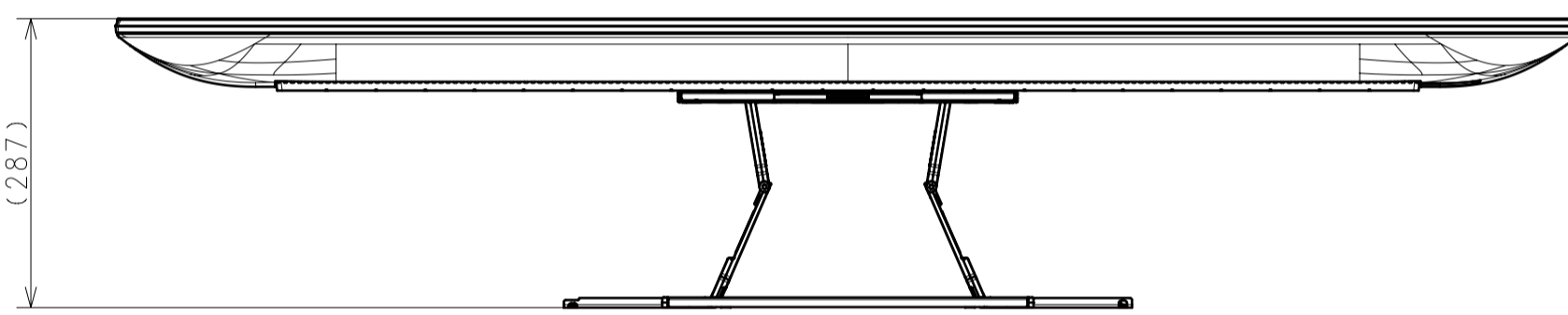
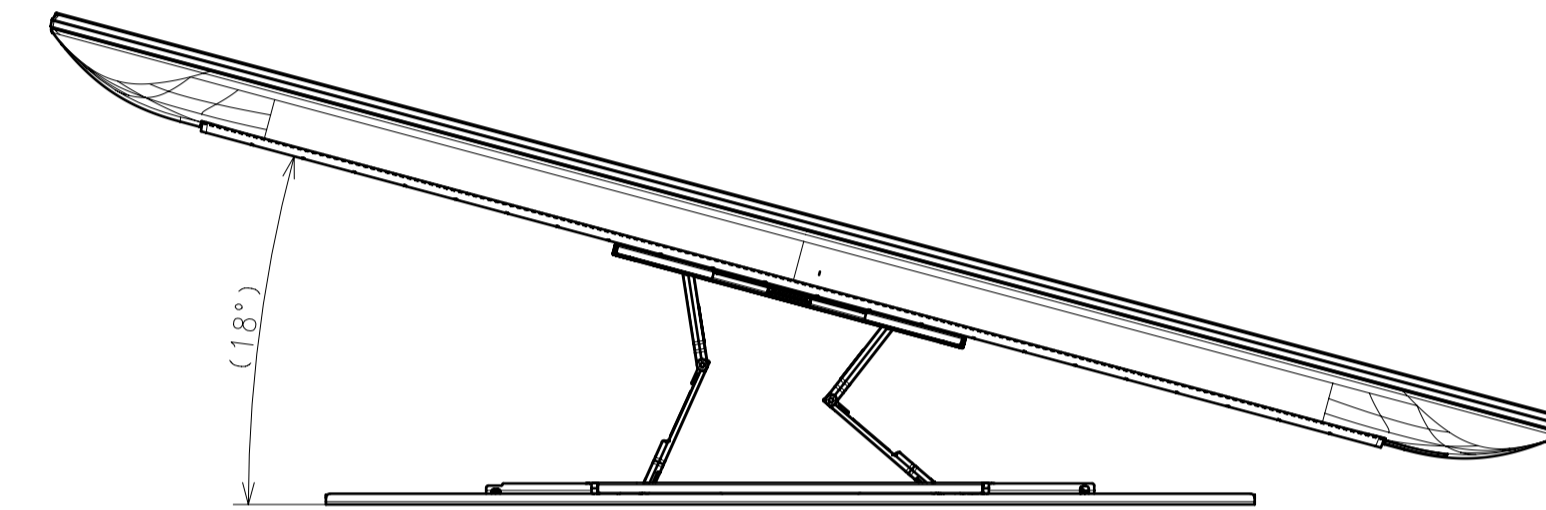
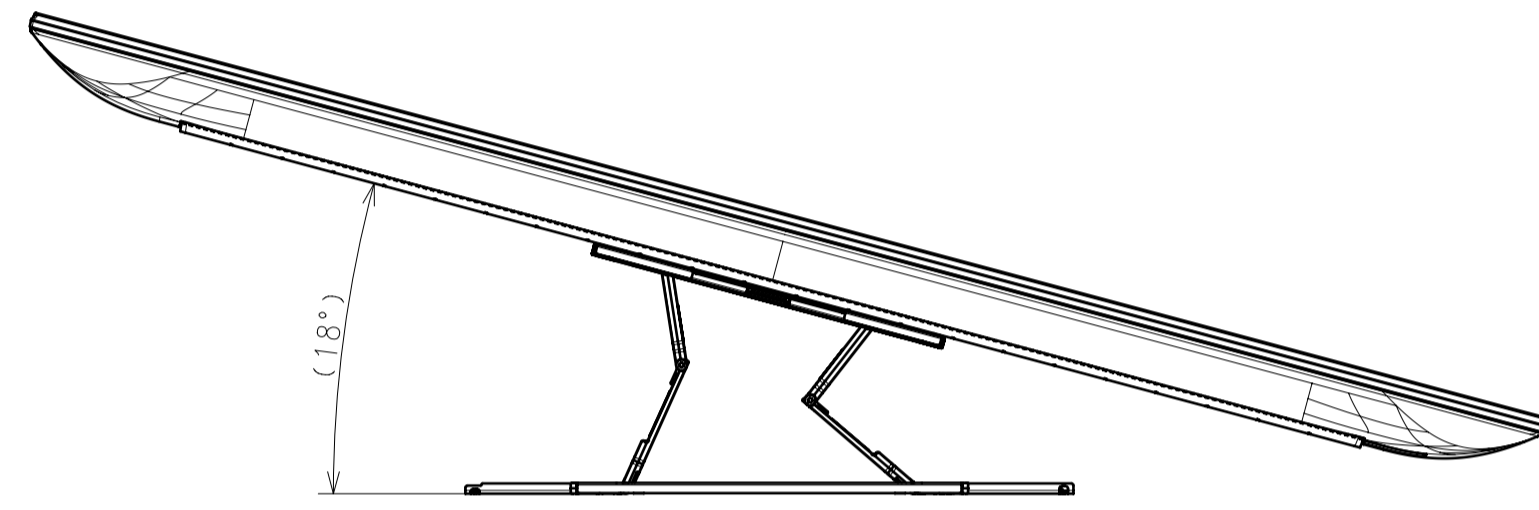
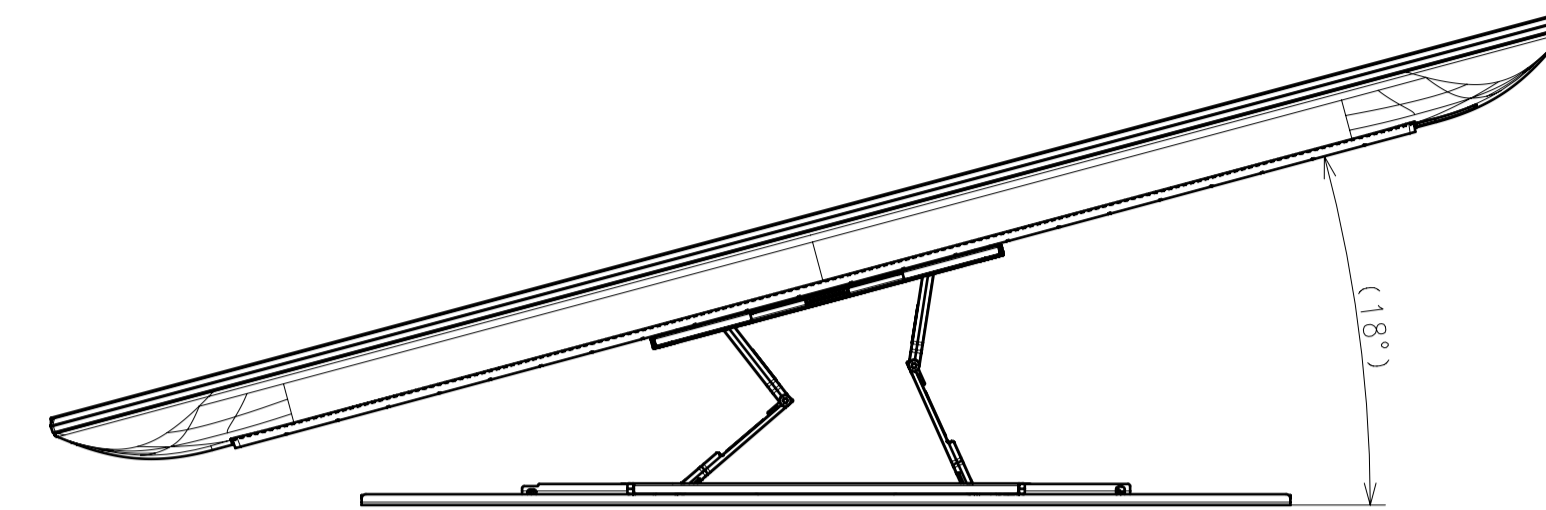
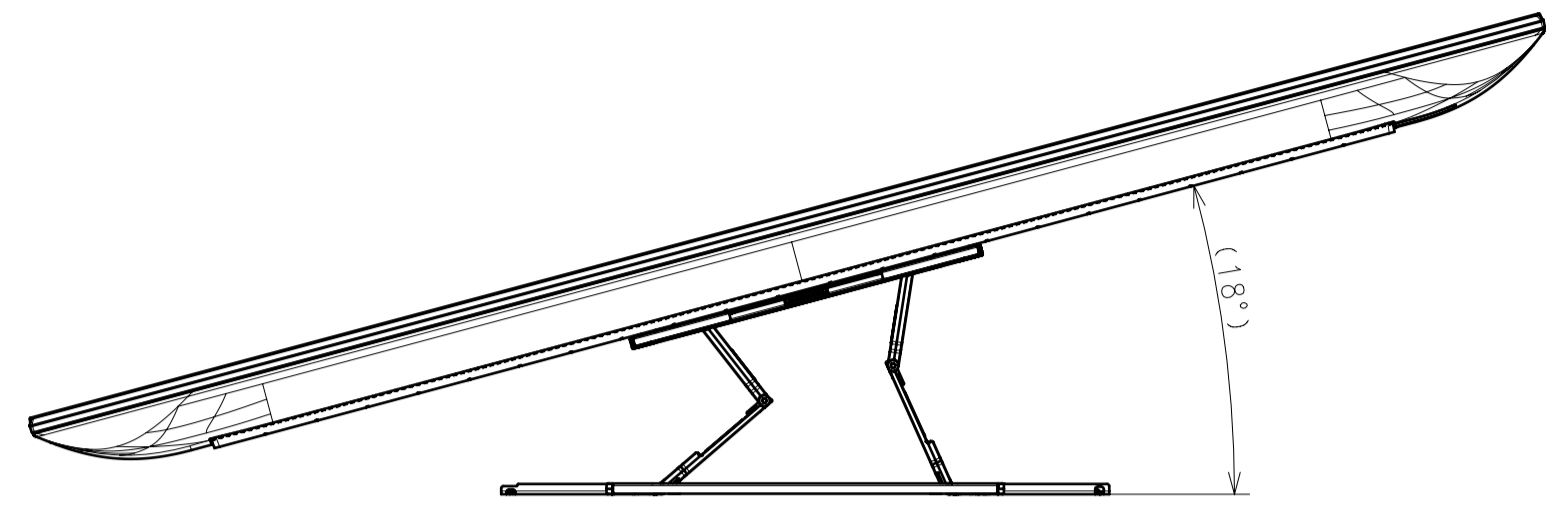


SONY STANDARD
DRAWING

DESCRIPTION 1	LEGAL OWNER	SCALE
65 (S30) EXTERIOR VIEW	Sony Corporation	1:7
DESCRIPTION 2	PART NO.	SHEET/PAGES
65 (S30) EXTERIOR VIEW		3 / 6

WL850

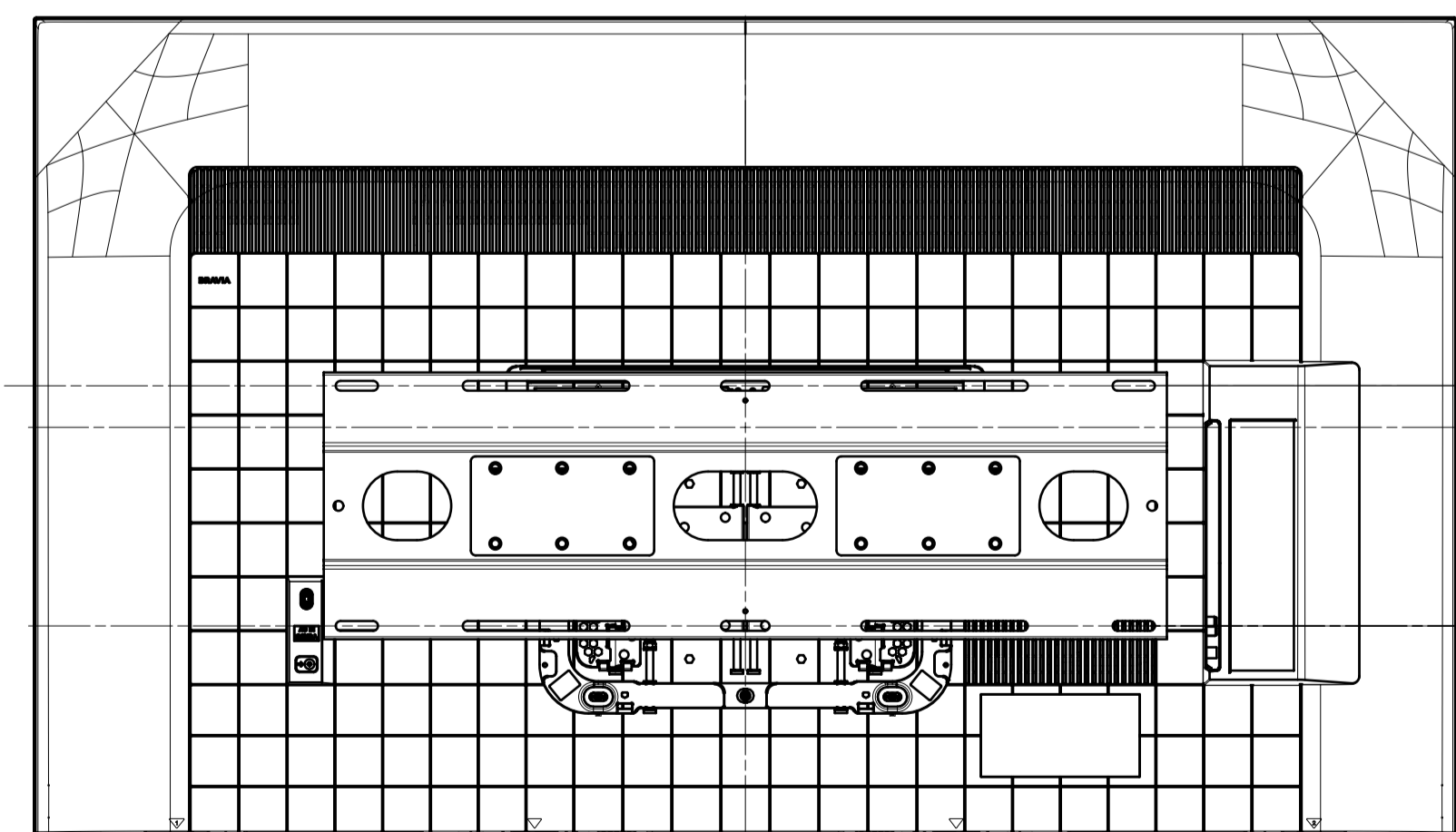
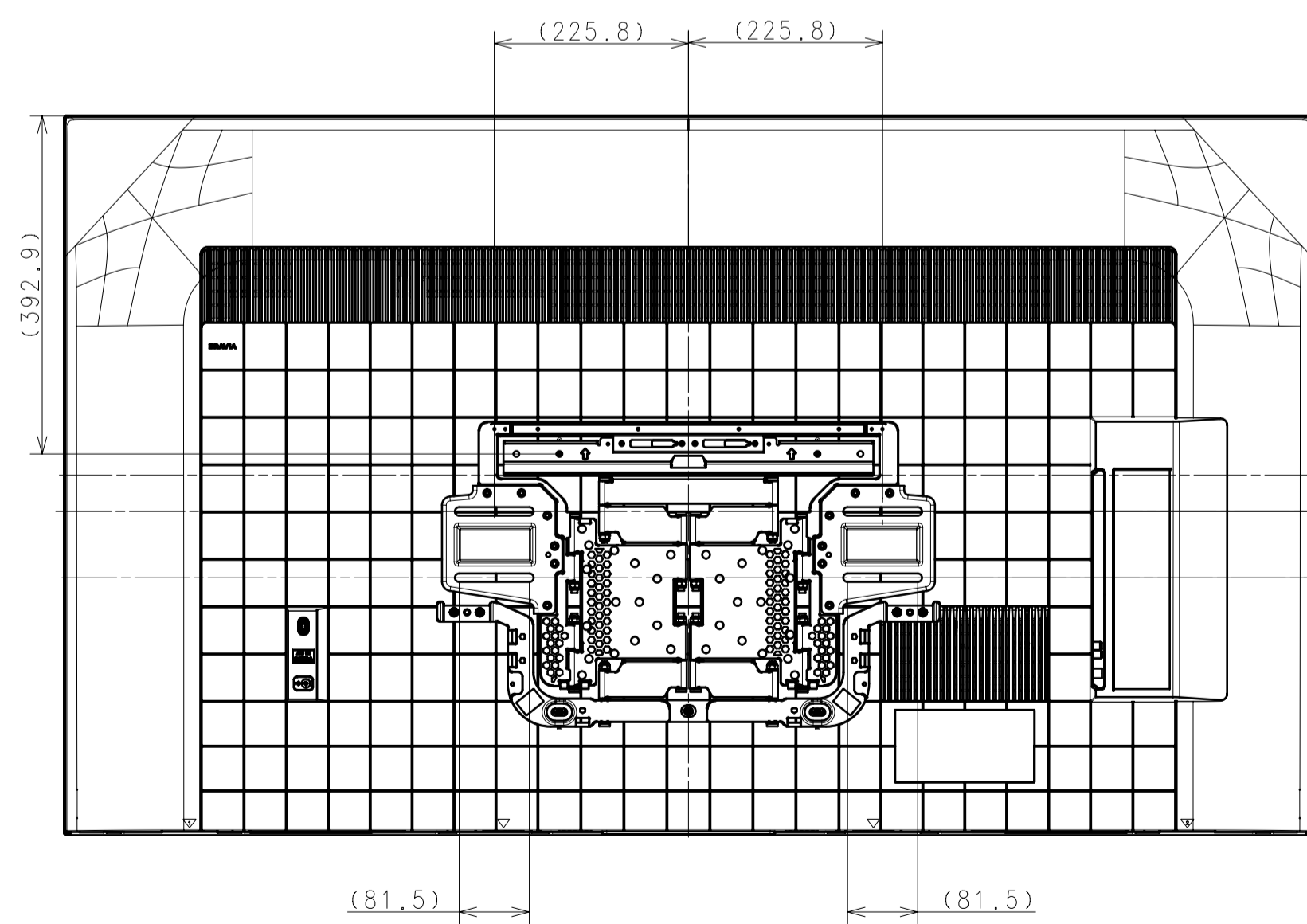
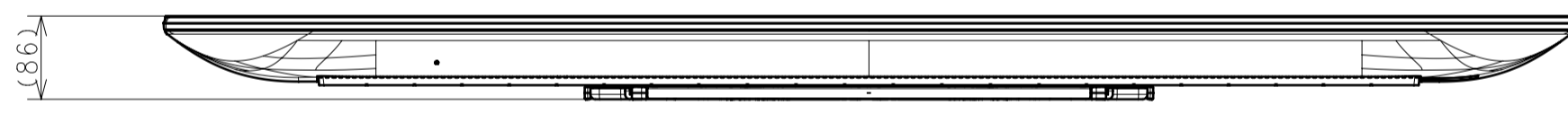
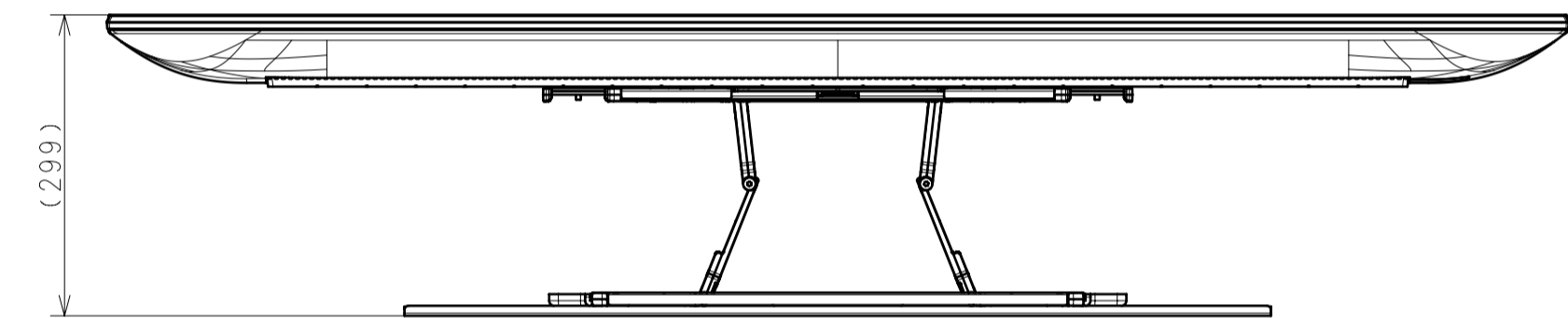
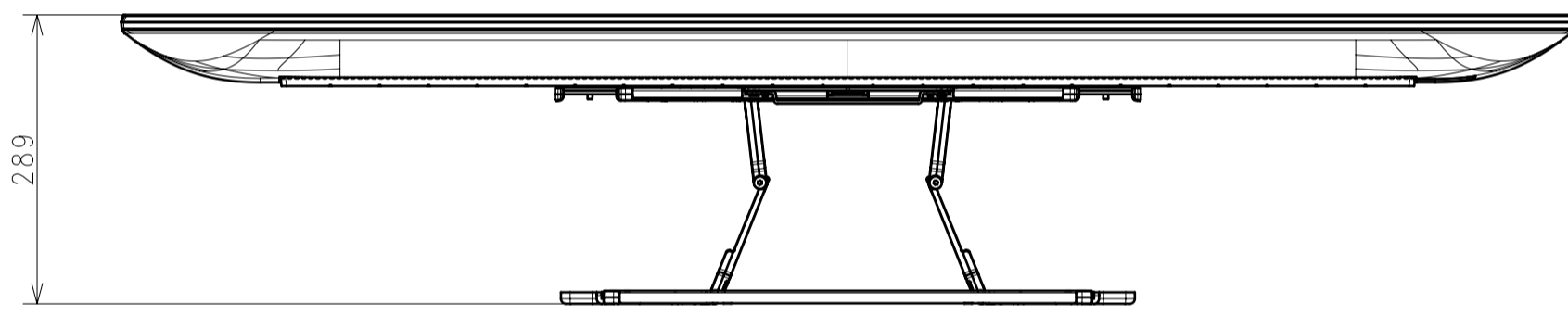
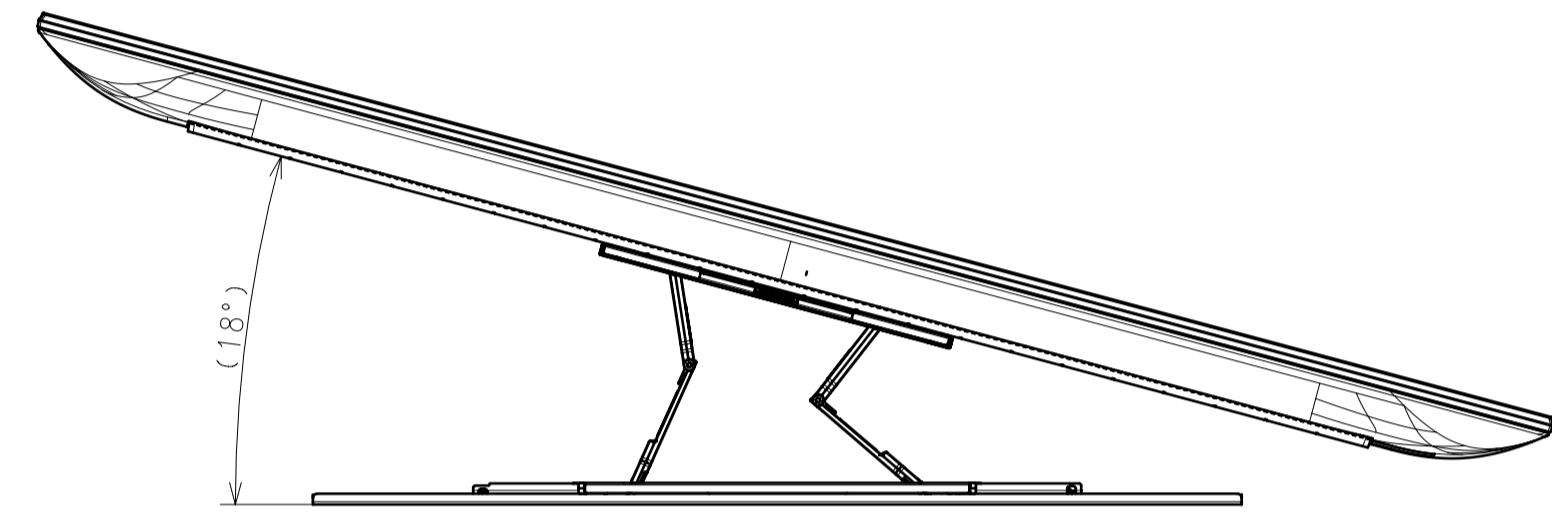
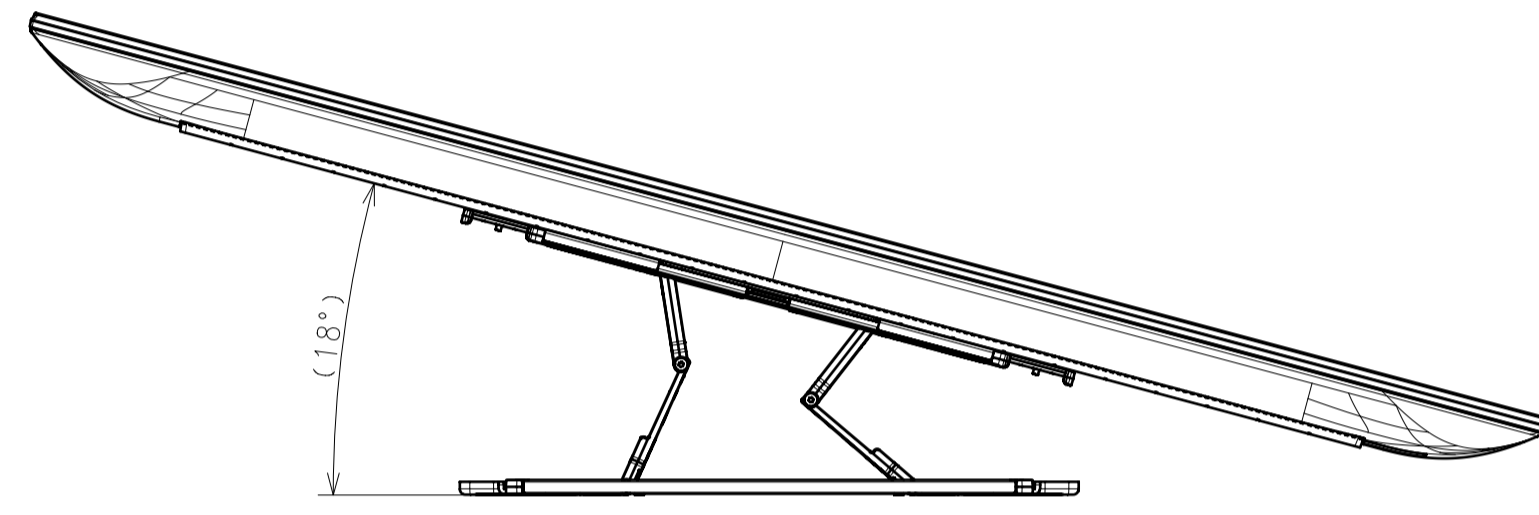
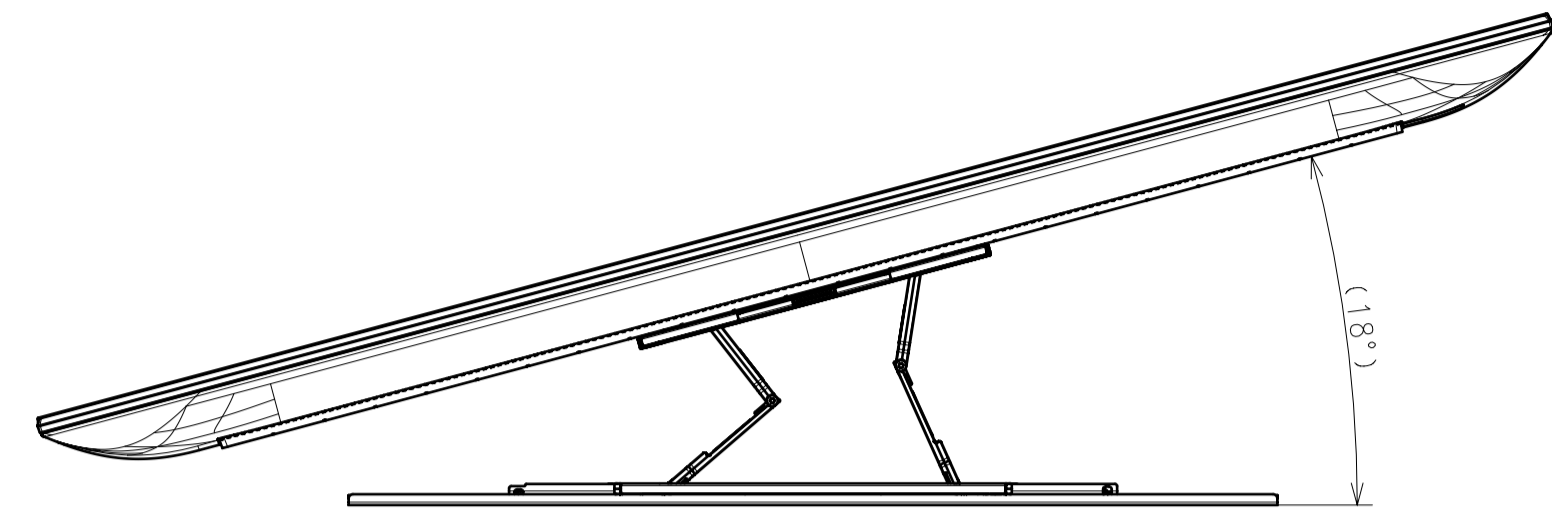
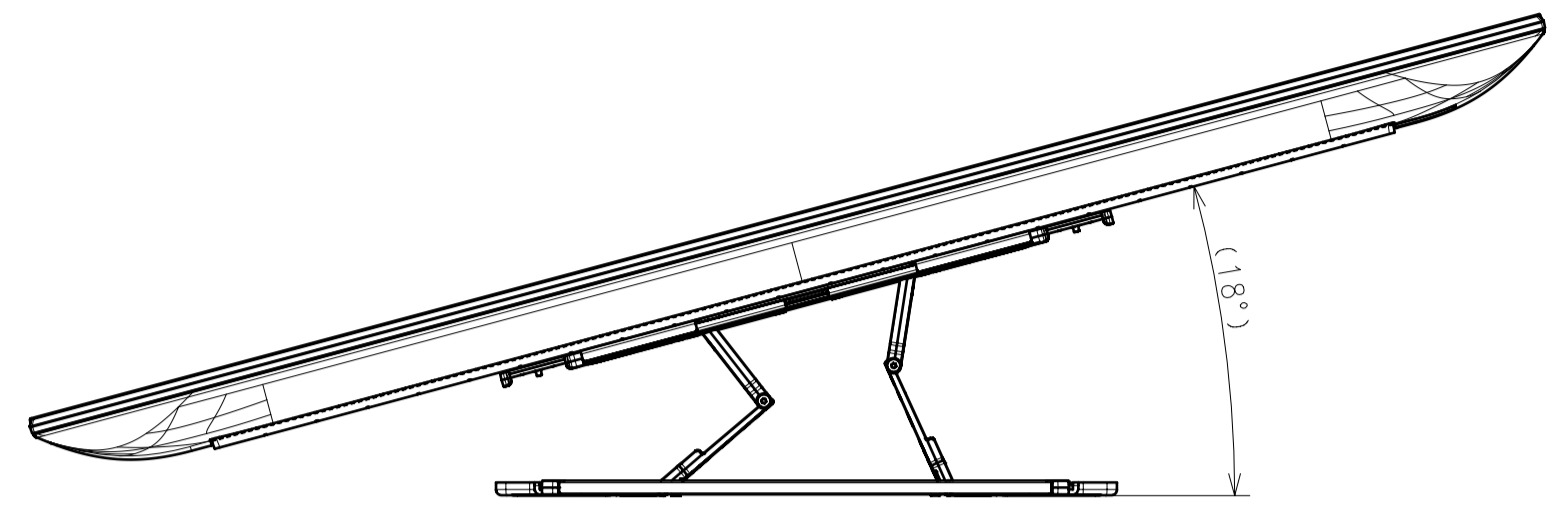
WL855 WITH LATERAL SHAFT BRACKET



DESCRIPTION 1	65 (S30) EXTERIOR VIEW	LEGAL OWNER	Sony Corporation	SCALE	1:7
DESCRIPTION 2	65 (S30) EXTERIOR VIEW	PART NO.		SHEET/PAGES	4/6

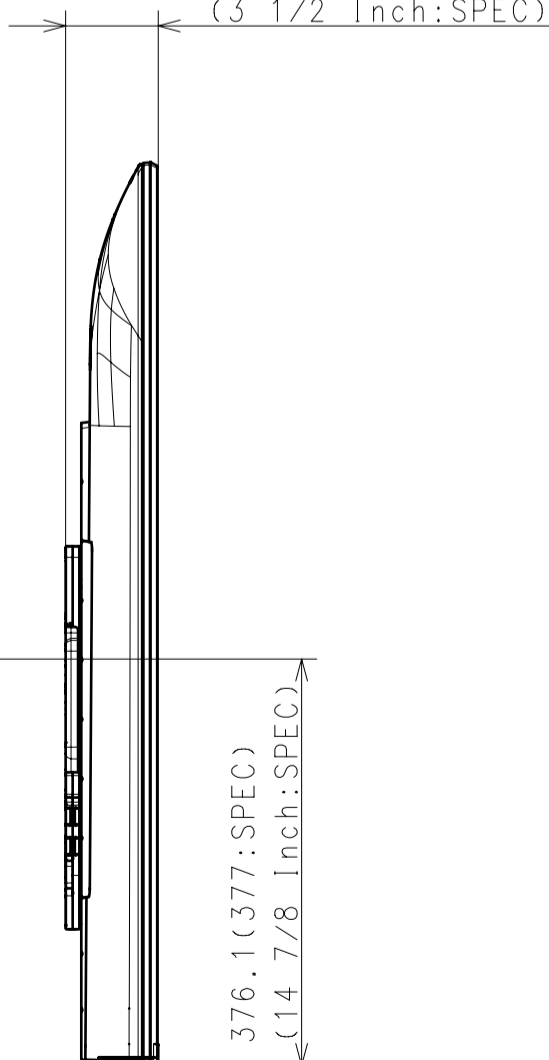
WL900 13mm

WL905 13mm WITH LATERAL SHAFT BRACKET



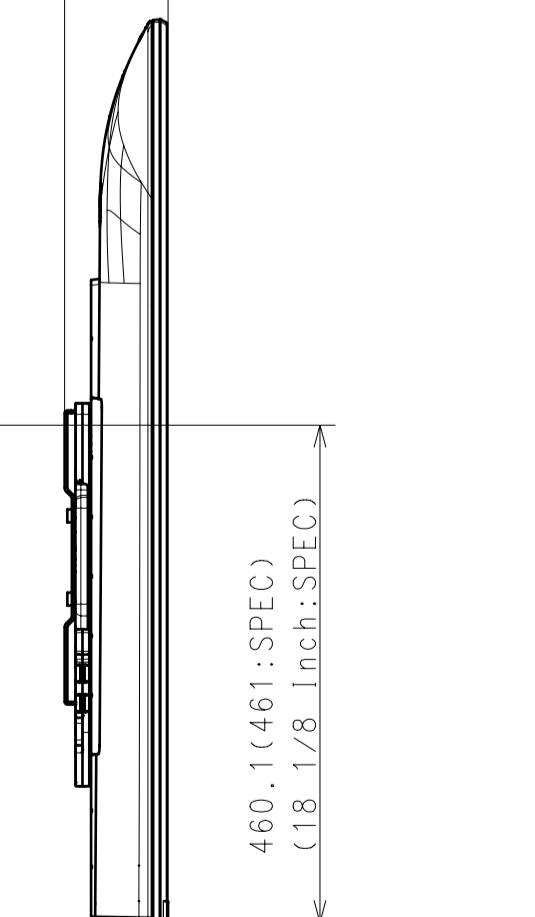
SLIM

85.8(86:SPEC)
(3 1/2 Inch:SPEC)



STANDARD

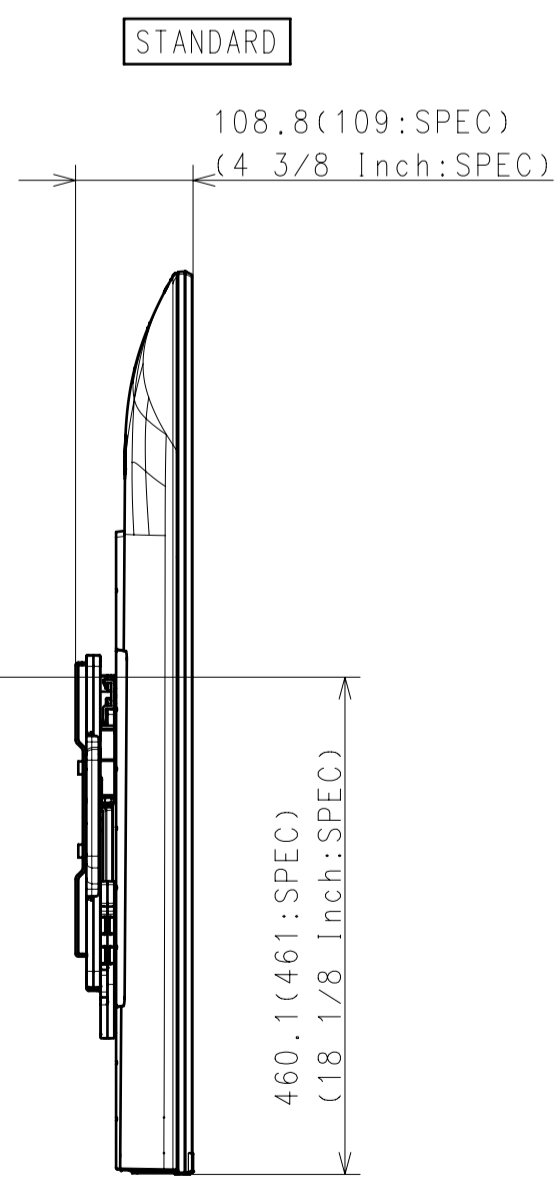
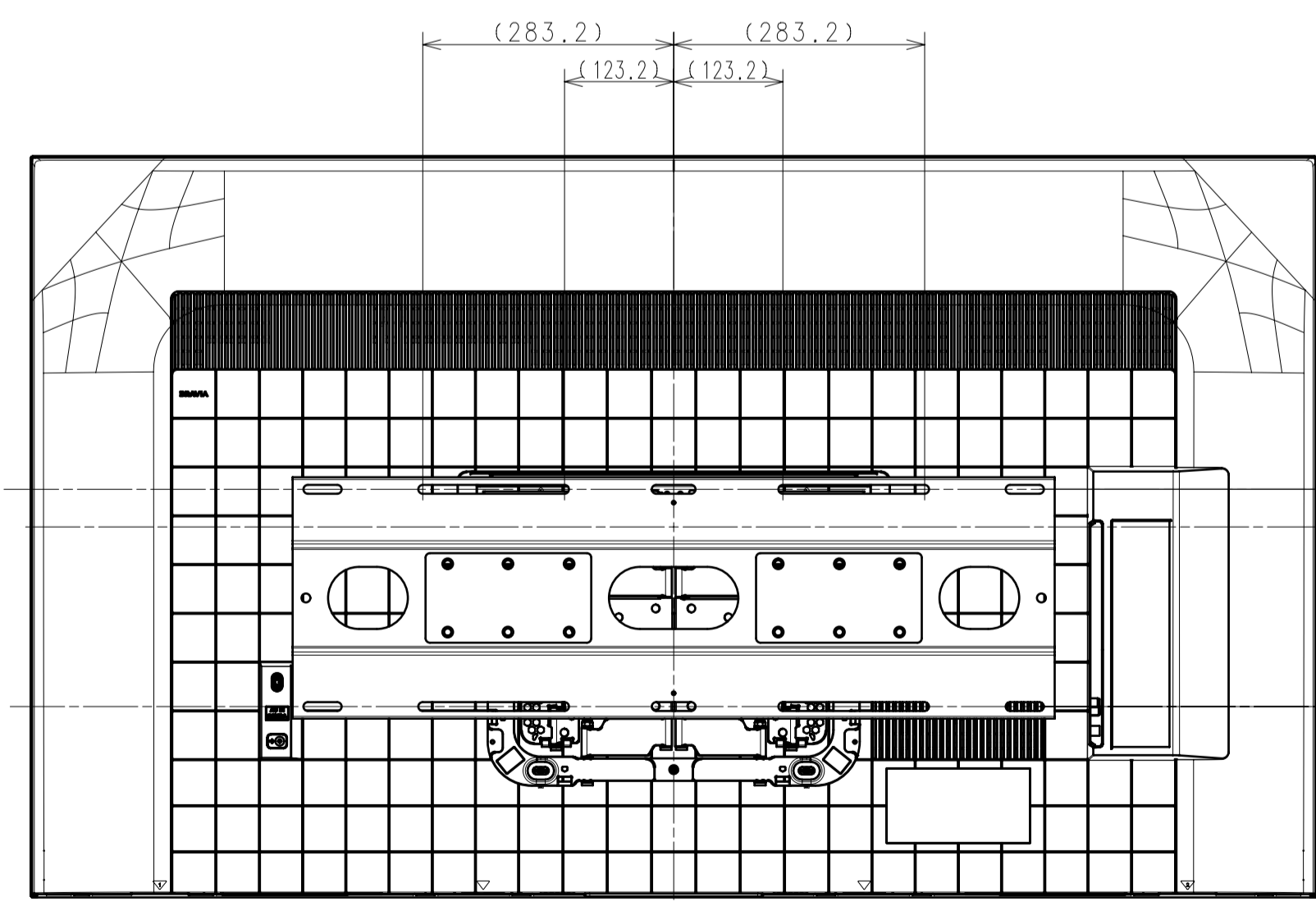
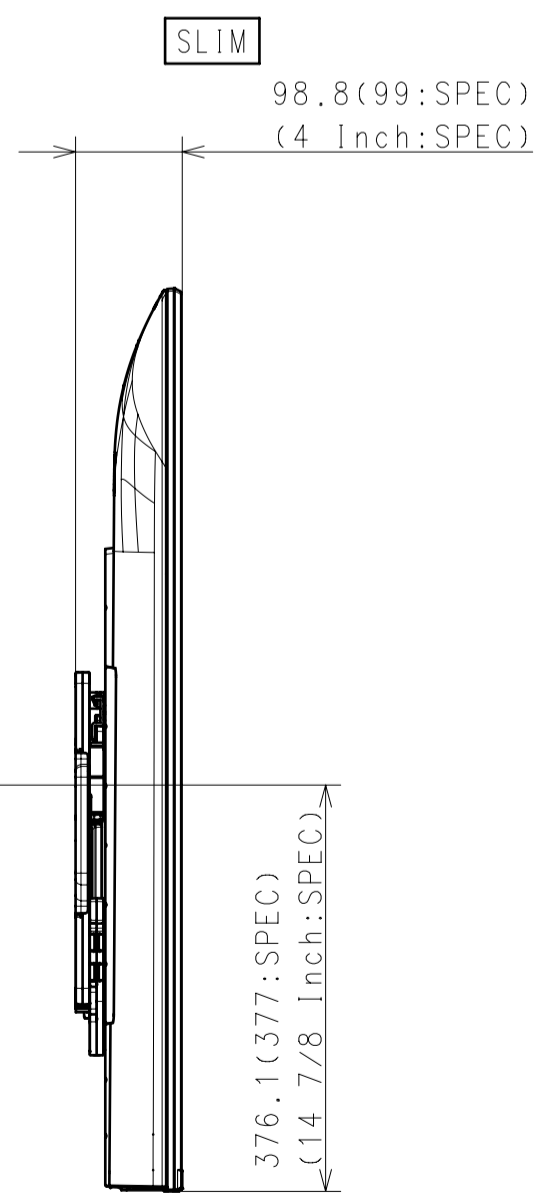
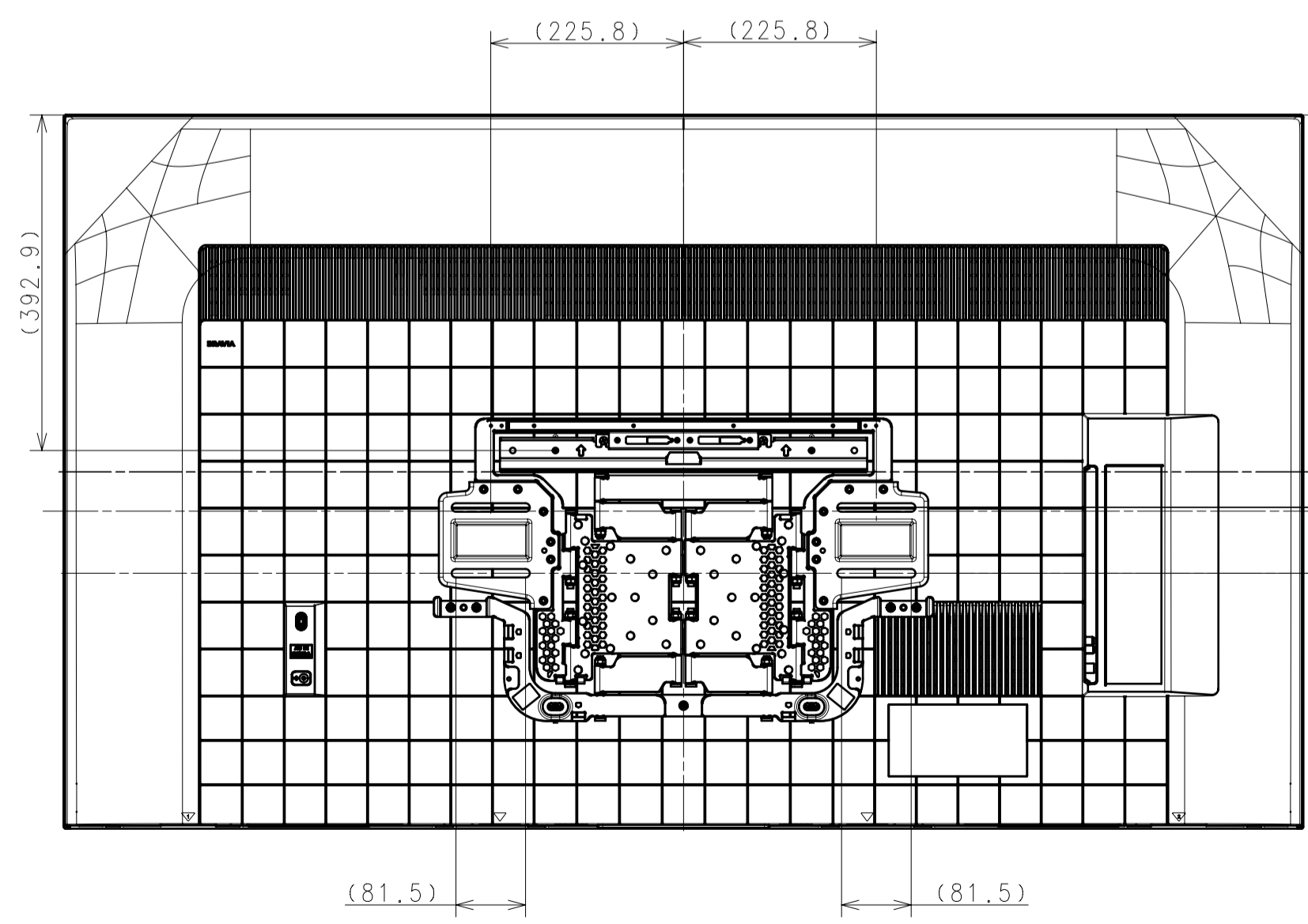
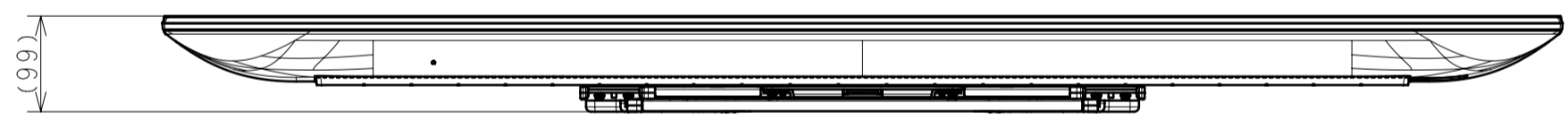
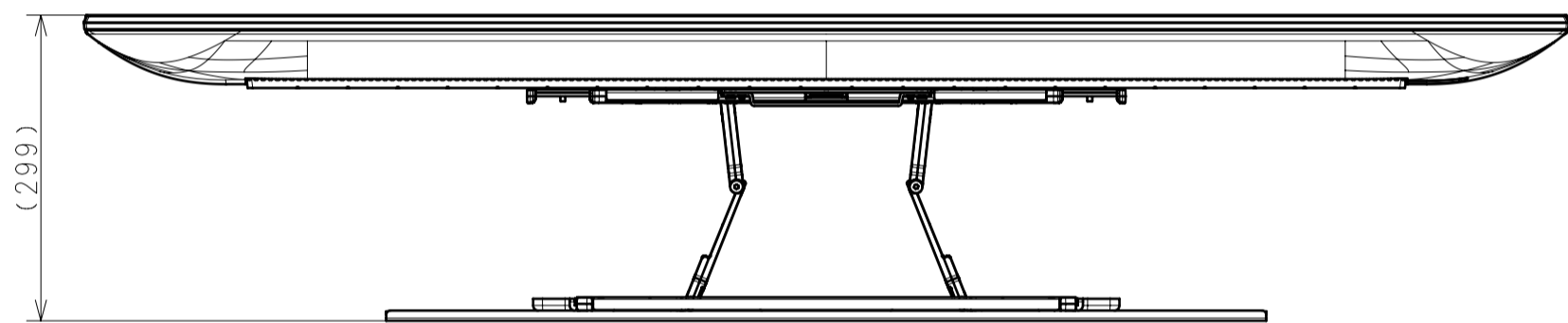
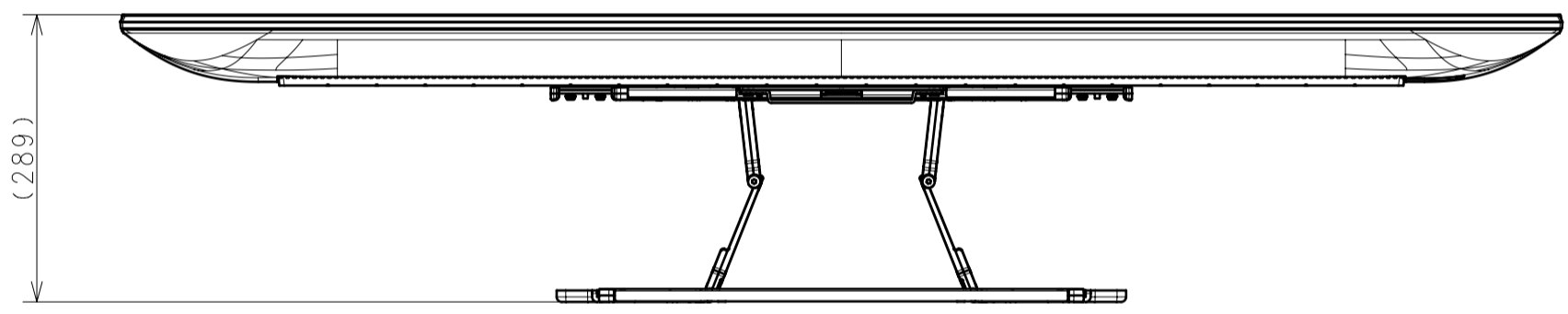
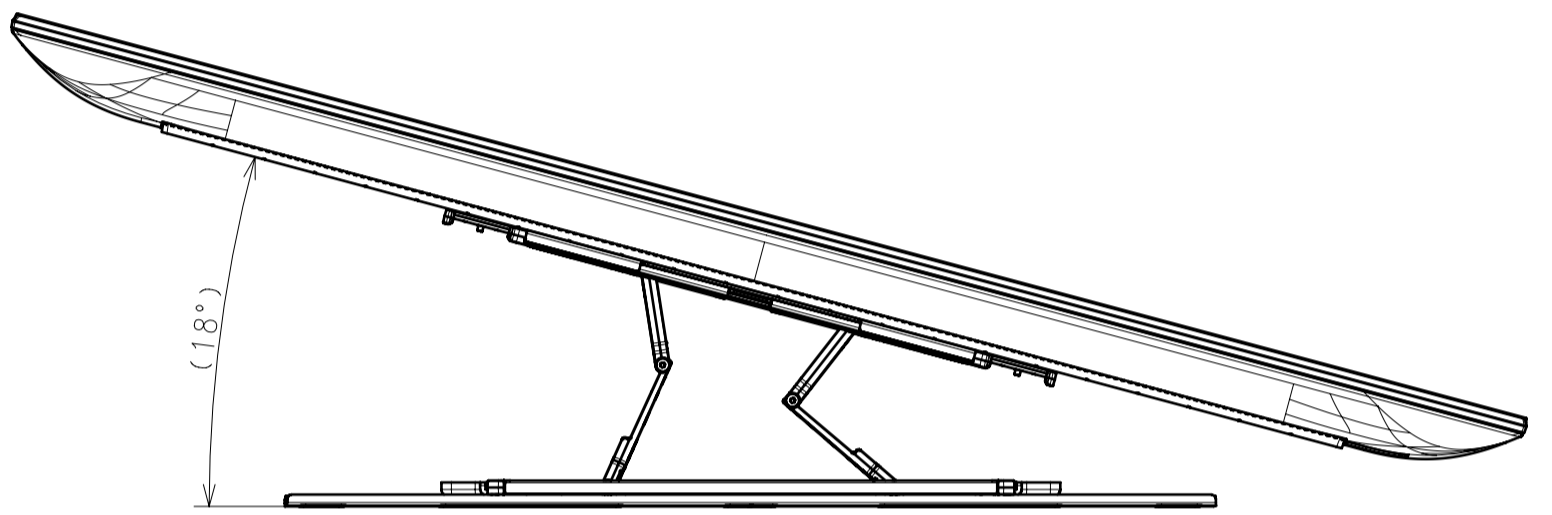
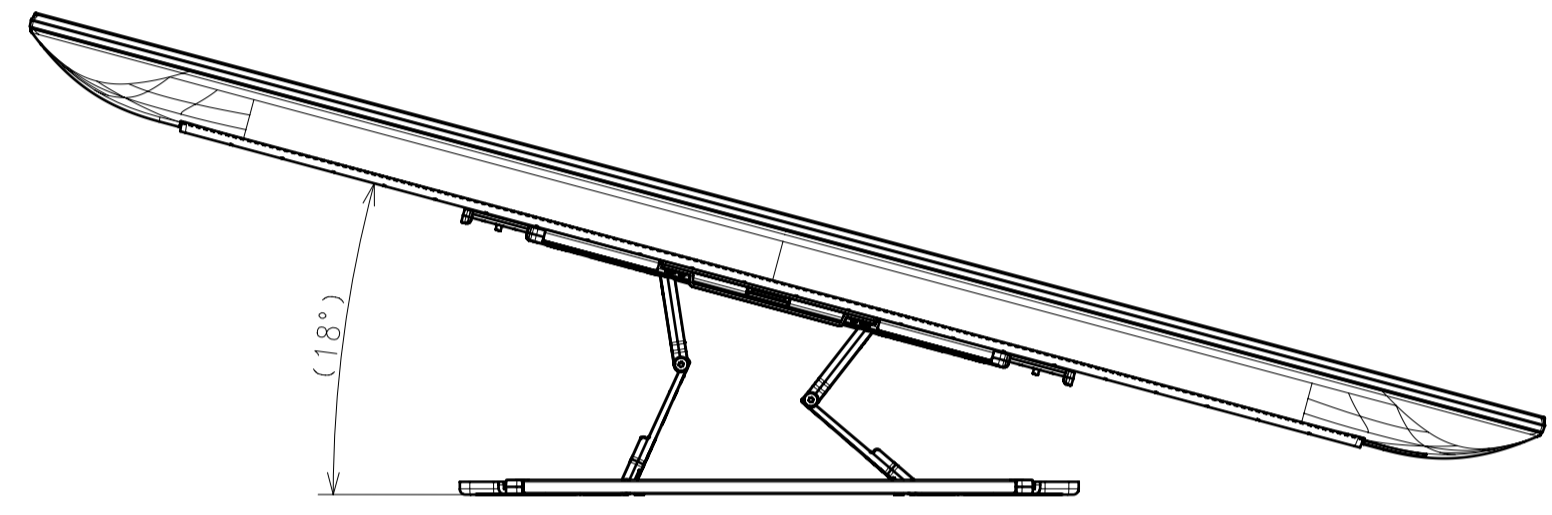
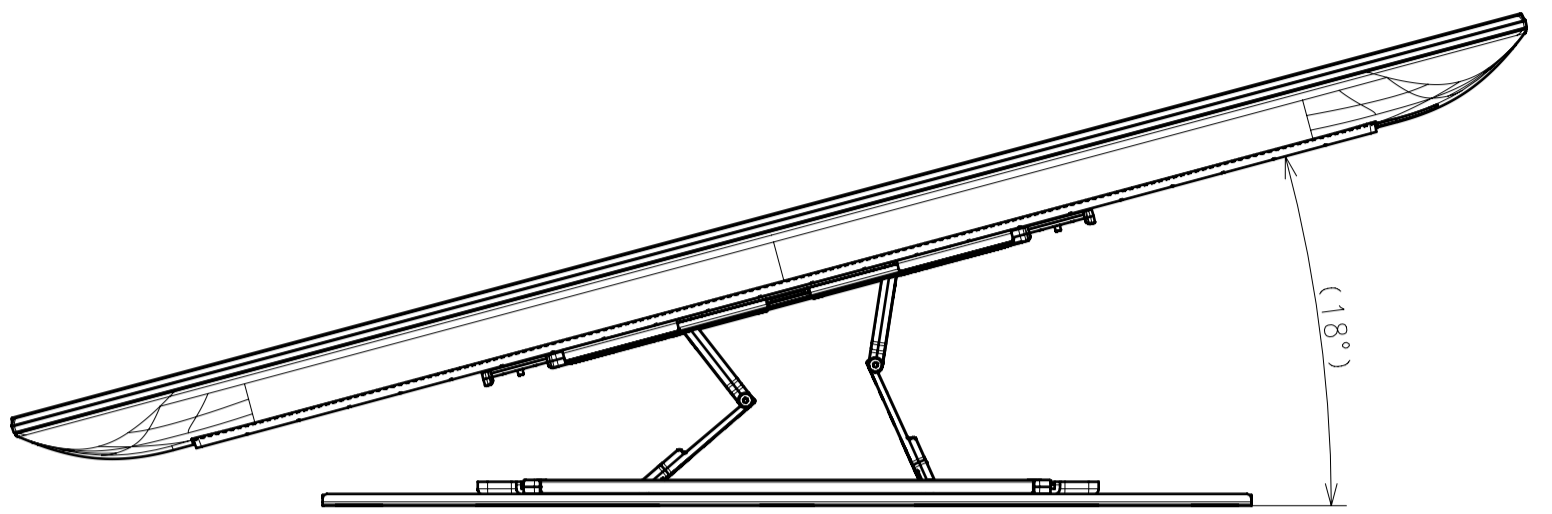
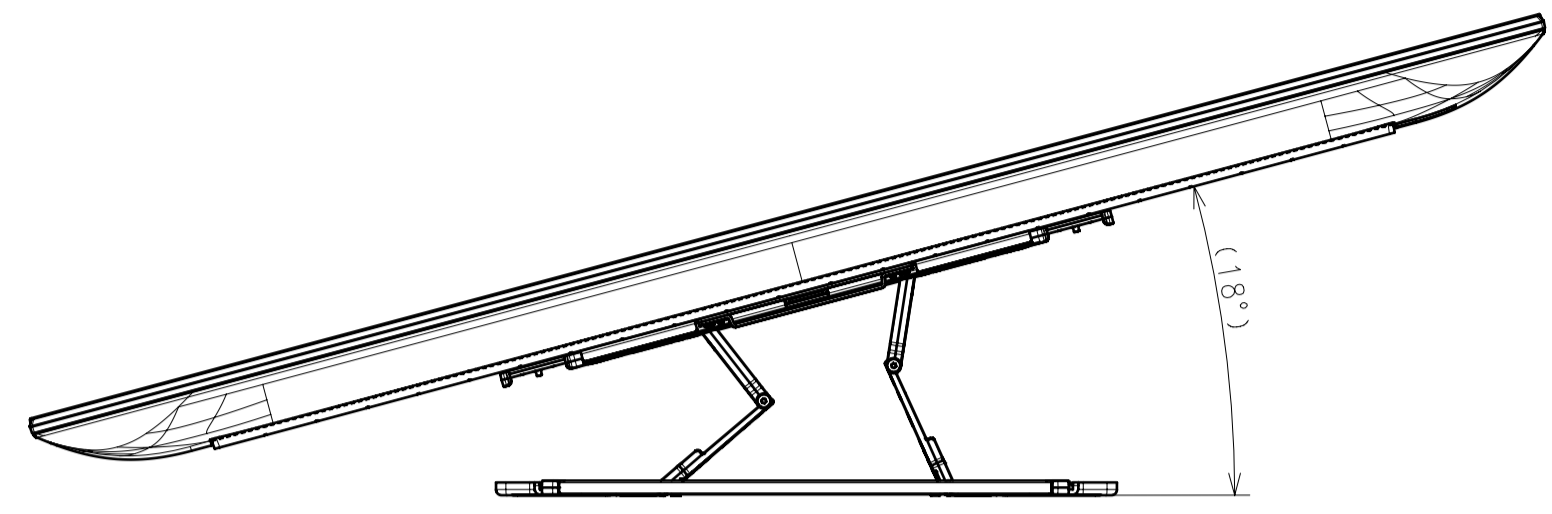
95.8(96:SPEC)
(3 7/8 Inch:SPEC)



DESCRIPTION 1	65 (S30) EXTERIOR VIEW	LEGAL OWNER	Sony Corporation	SCALE	1:7
DESCRIPTION 2	65 (S30) EXTERIOR VIEW	PART NO.		SHEET/PAGES	5/ 6

WL900 26mm

WL905 26mm WITH LATERAL SHAFT BRACKET



DESCRIPTION 1	65 (S30) EXTERIOR VIEW	LEGAL OWNER	Sony Corporation	SCALE	1:7
DESCRIPTION 2	65 (S30) EXTERIOR VIEW	PART NO.		SHEET/PAGES	6/6