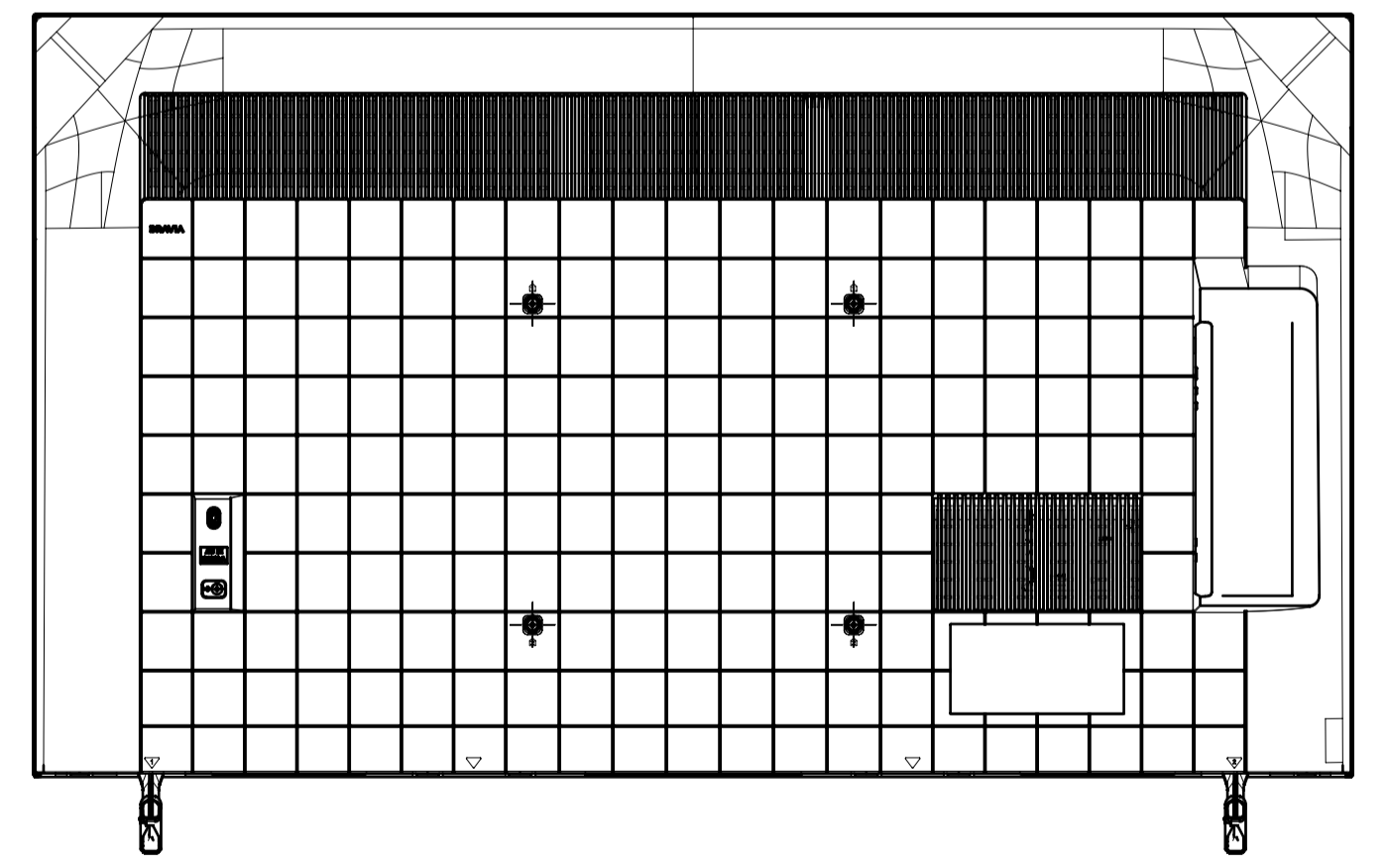
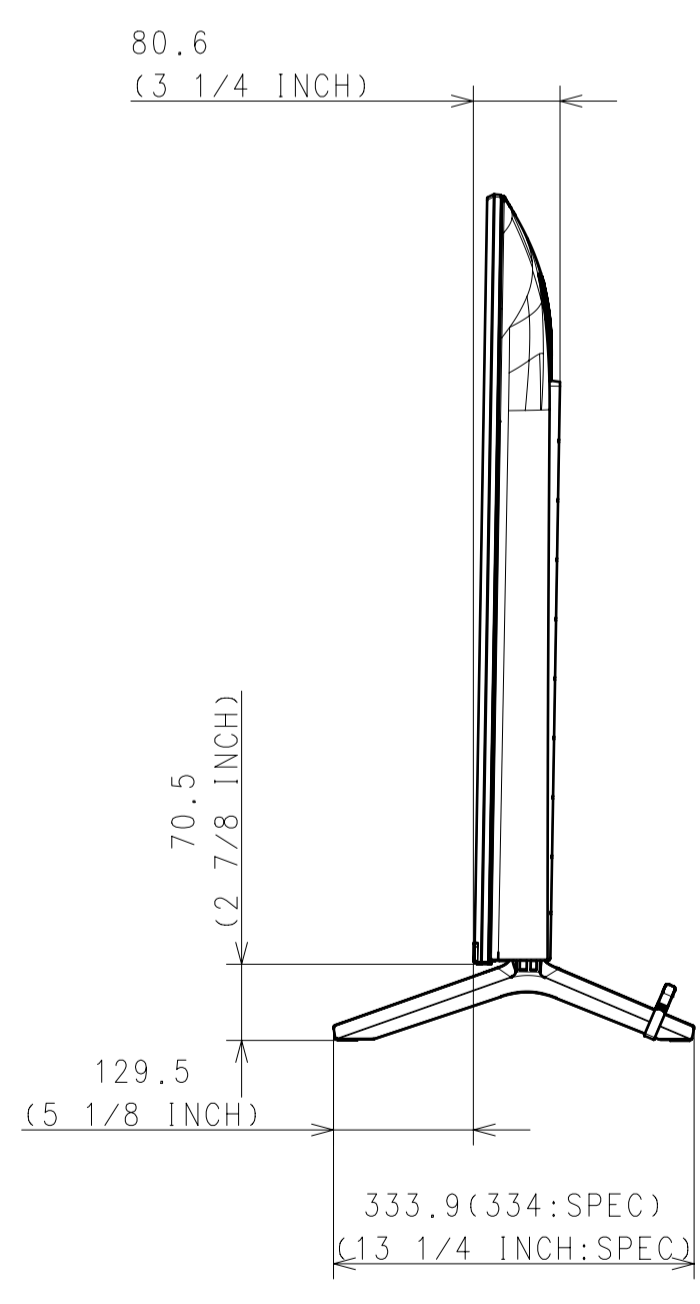
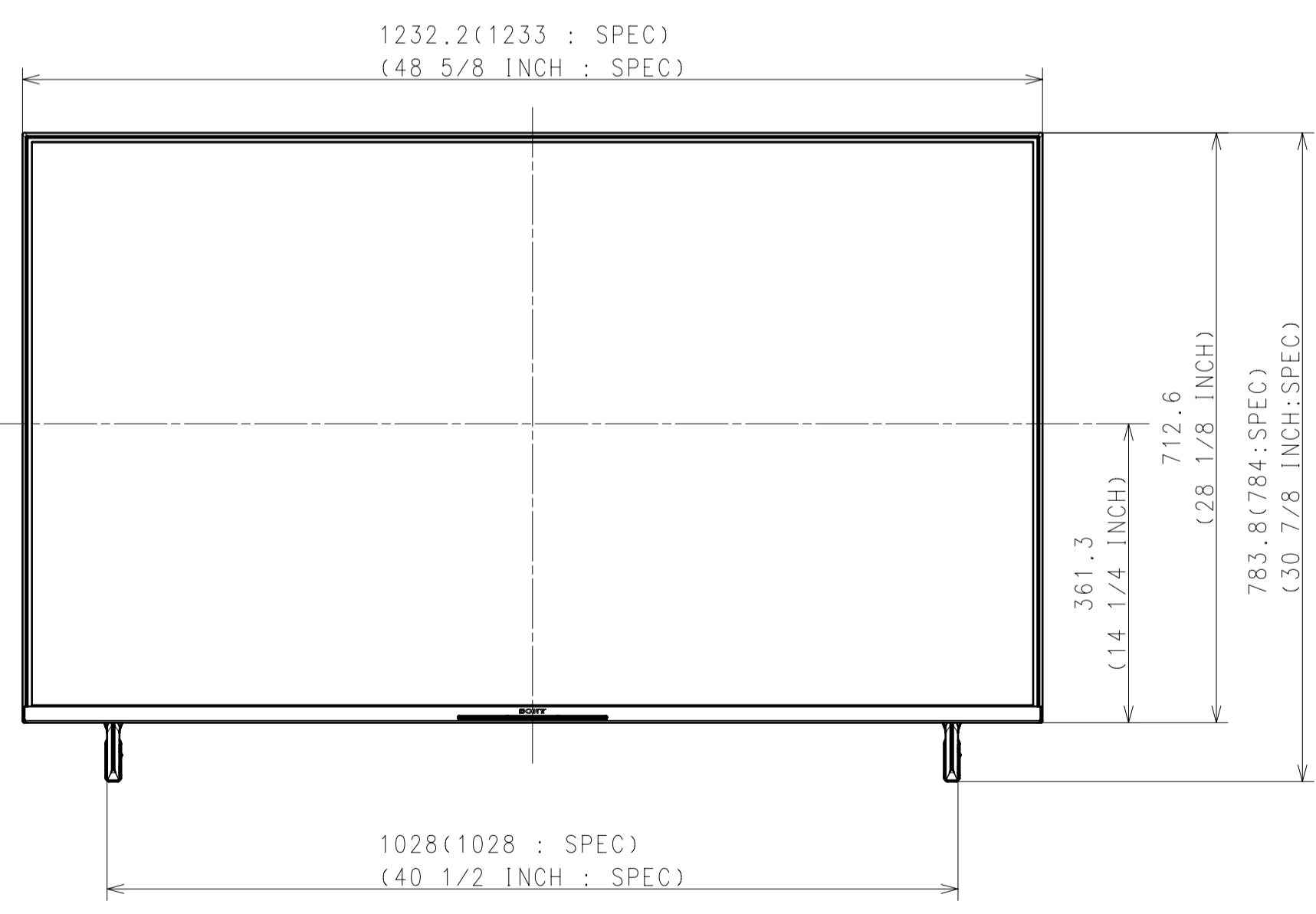
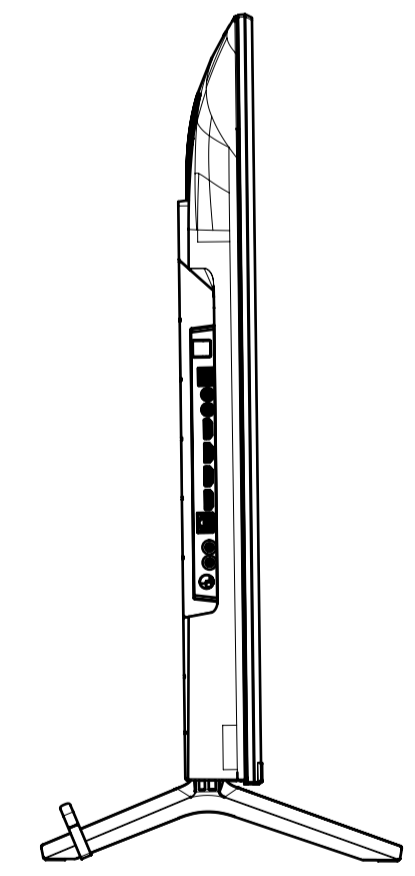
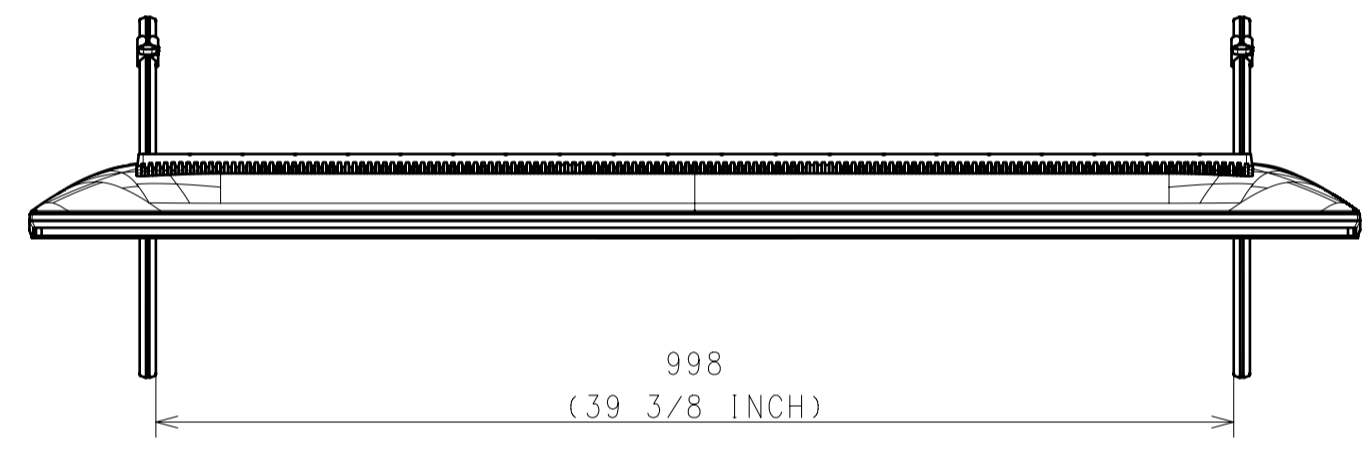


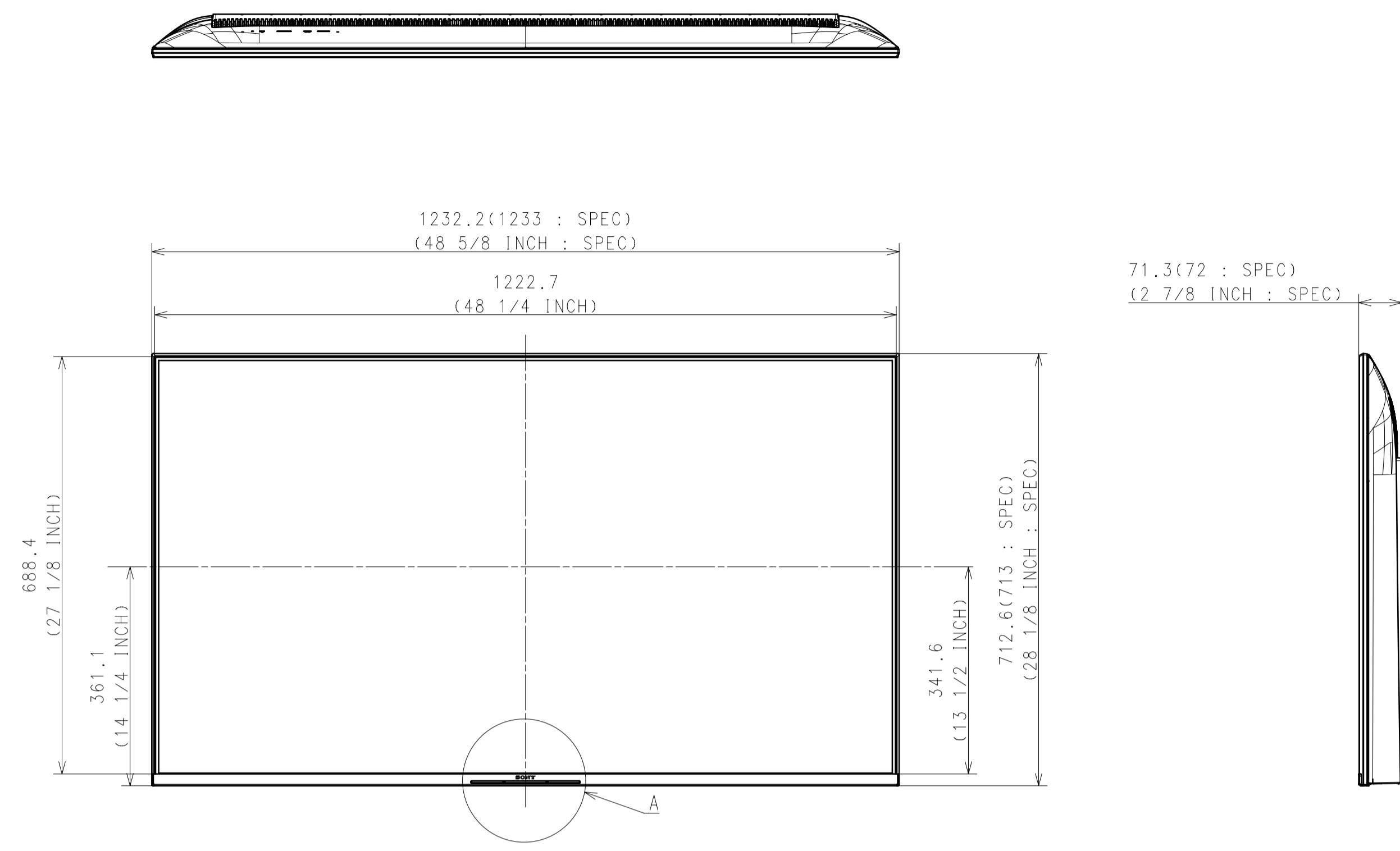
Area		NORTH AMERICA	LATIN AMERICA	GENERAL AREA + IN5 stand models	IN5 Stand-less
Model Name		K-55S30	K-55S30	K-55S30	K-55S30
SV No.		SV-42004	SV-42014	SV-42026	SV-42038
DIMENSION	TV only (W x H x D)	1233 x 713 x 72 mm / 48 5/8 x 28 1/8 x 2 7/8 inch	1233 x 713 x 72 mm	Approx. 1233 x 713 x 72 mm	Approx. 1233 x 713 x 72 mm
	TV only with camera (W x H x D)	-	-	-	-
	TV with Stand (Outside) (W x H x D)	1233 x 784 x 334 mm / 48 5/8 x 30 7/8 x 13 1/4 inch	1233 x 784 x 334 mm	Approx. 1233 x 784 x 334 mm	-
	TV with Stand (Inside) (W x H x D)	-	-	-	-
	TV with Stand (Outside for Soundbar) (W x H x D)	-	-	-	-
	TV with Stand (Inside for Soundbar) (W x H x D)	-	-	-	-
	TV with Stand (Front position style) (W x H x D)	-	-	-	-
	TV with Stand (Back position style) (W x H x D)	-	-	-	-
	TV with Floor Stand (W x H x D)	-	-	-	-
	Stand Width (Outside)	1028 mm / 40 1/2 inch	1028 mm	Approx. 1028 mm	-
	Stand Width (Inside)	-	-	-	-
	Stand Width (Outside for Soundbar)	-	-	-	-
	Stand Width (Inside for Soundbar)	-	-	-	-
	Stand Width (Front position style)	-	-	-	-
Stand Width (Back position style)	-	-	-	-	
Floor Stand Width	-	-	-	-	
VESA Hole Pitch	300 x 300 mm / 11 7/8 x 11 7/8 inch	300 x 300 mm	300 x 300 mm	300 x 300 mm	
WEIGHT	TV Only	16.0 kg / 35.3 lb	16.0 kg	Approx. 15.4 kg	Approx. 15.4 kg
	TV with Stand (Outside)	16.3 kg / 36.0 lb	16.3 kg	Approx. 15.7 kg	-
	TV with Stand (Inside)	-	-	-	-
	TV with Stand (Outside for Soundbar)	-	-	-	-
	TV with Stand (Inside for Soundbar)	-	-	-	-
	TV with Stand (Front/Back position style)	-	-	-	-
	TV with Floor Stand	-	-	-	-
	Floor Stand weight (Supply)	-	-	-	-
W-M't Br. Weight (Supply)	-	-	-	-	
Remarks		-	-	-	-

WITH STAND

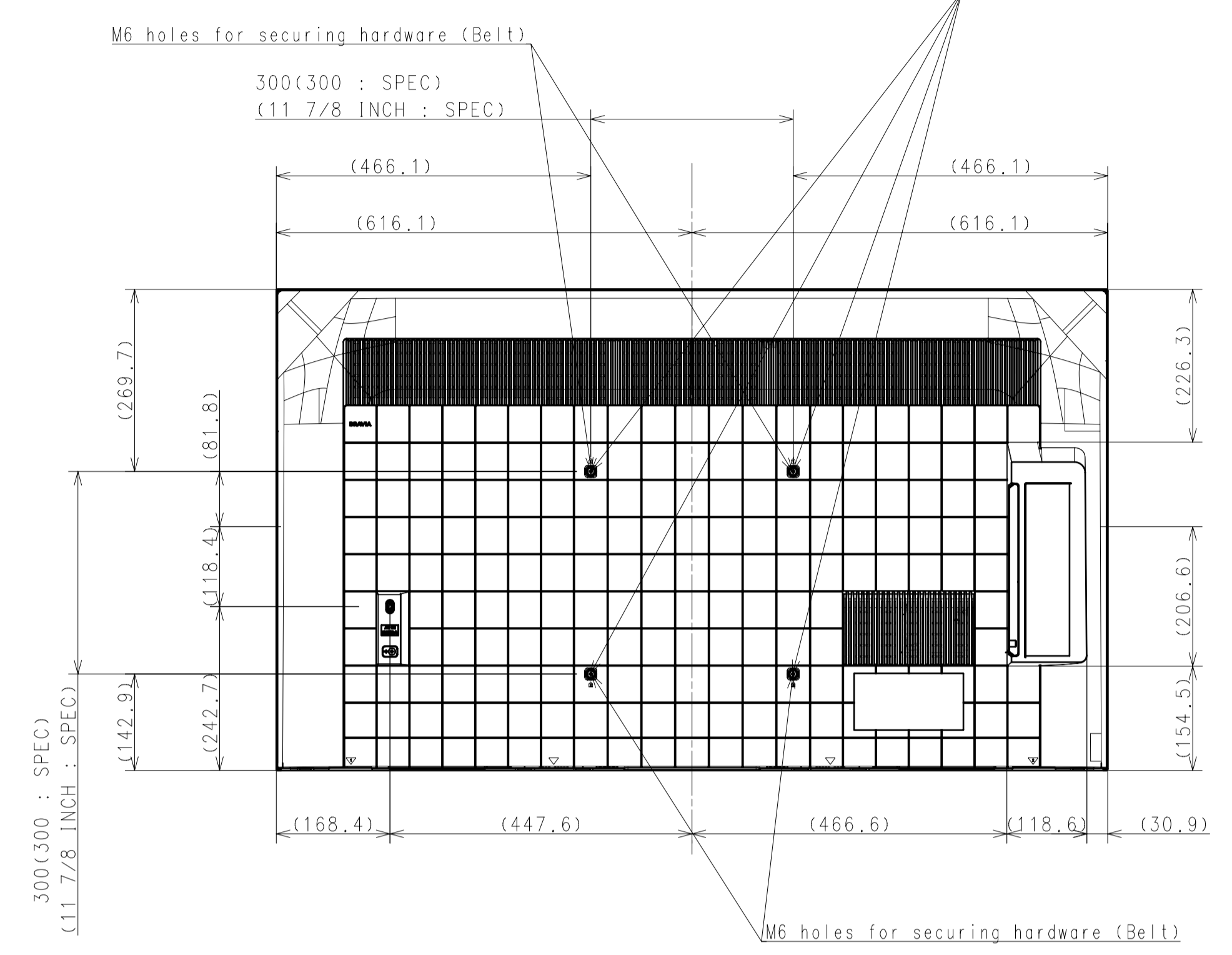


HISTORY 1. COUNT 2. SUFFIX 3. RELEASE NO. 4. DATE 5. REVISION 6. SIGN.		GENERAL TOLERANCE DATE OF ISSUE 2024.01.09 DOCUMENT TYPE ASSEMBLY TOLERANCING DRAWING (JIS & ISO/IEC 8015)
RESPONSIBLE DEPARTMENT PANEL & MECHANICAL DESIGN PLANNED BY 2024.01.09 DESIGNED BY 2024.01.09 DRAWN BY 2024.01.09		ORIGINAL MODEL \$5 (S30) EXTERIOR VIEW TENTATIVE MODEL \$5 (S30) EXTERIOR VIEW SCALE 1:7 SIZE A1 UNIT mm SHEET/PAGES 1/6

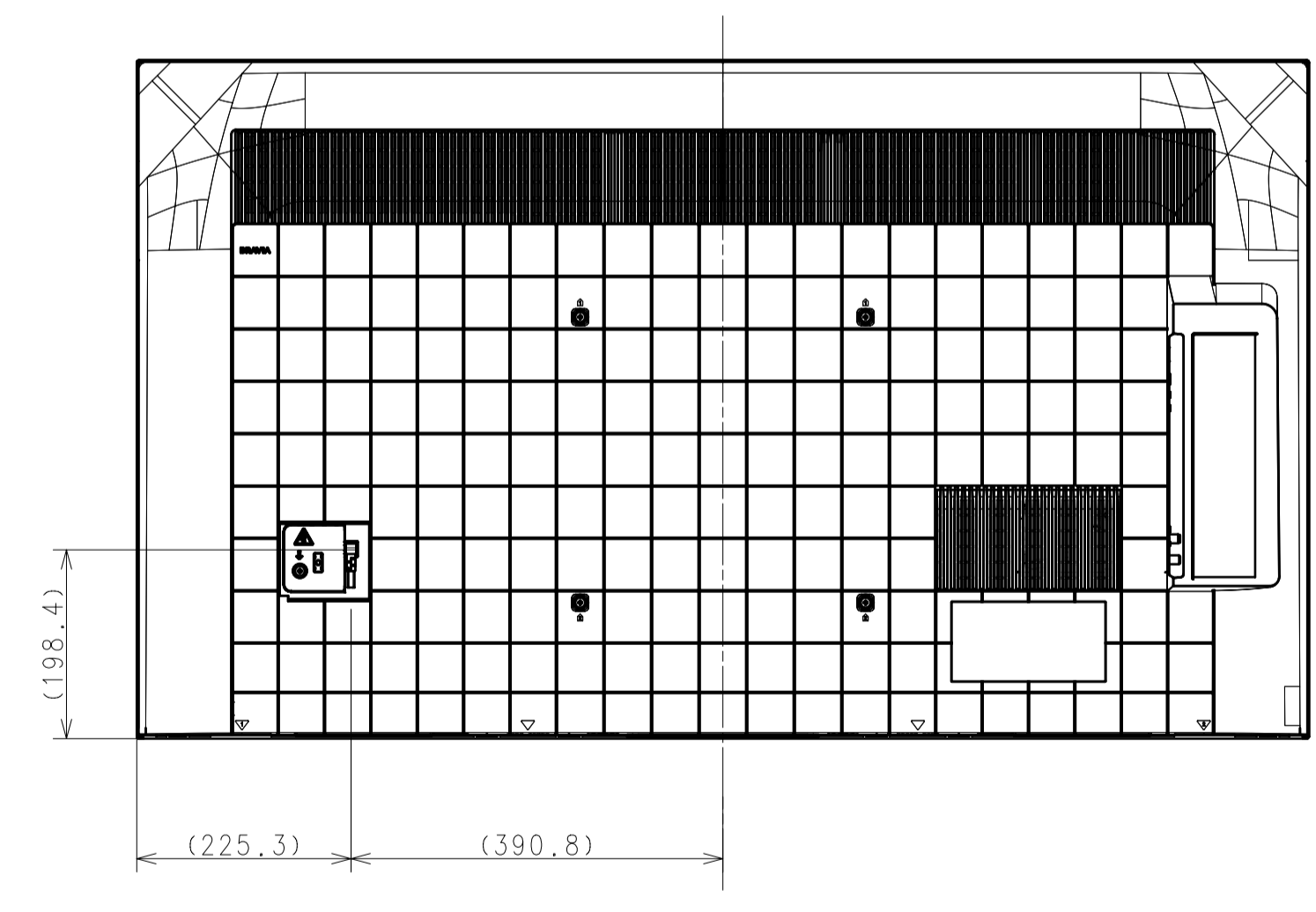
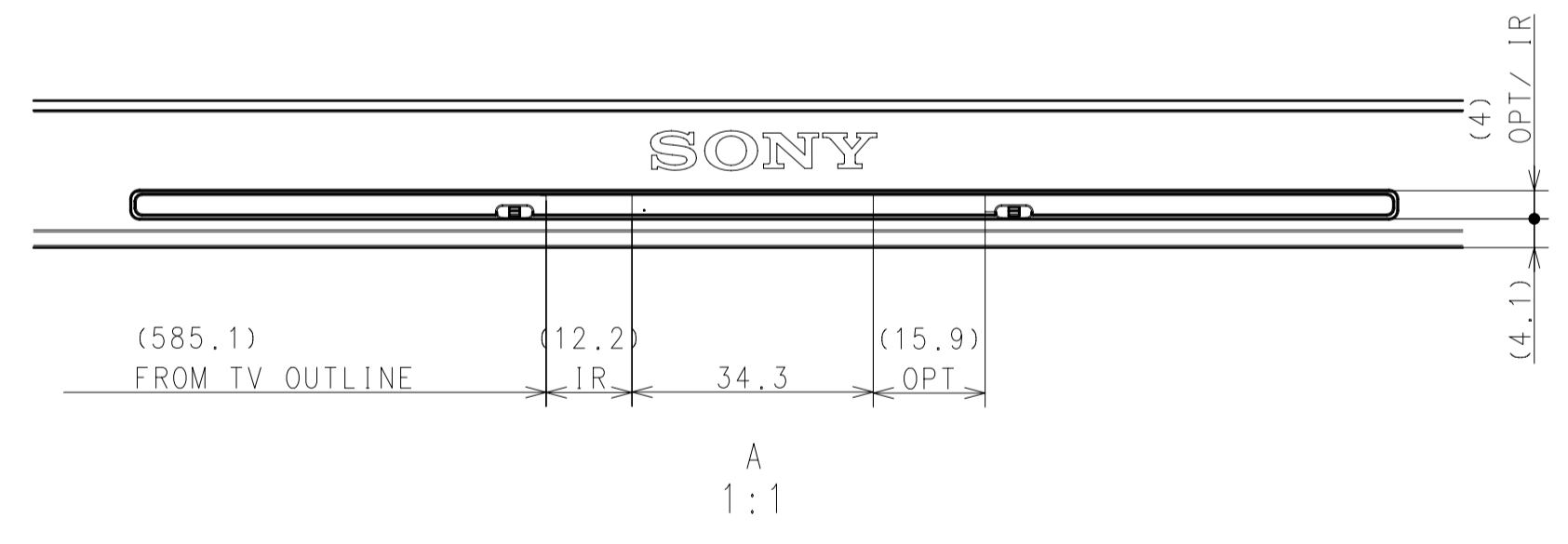
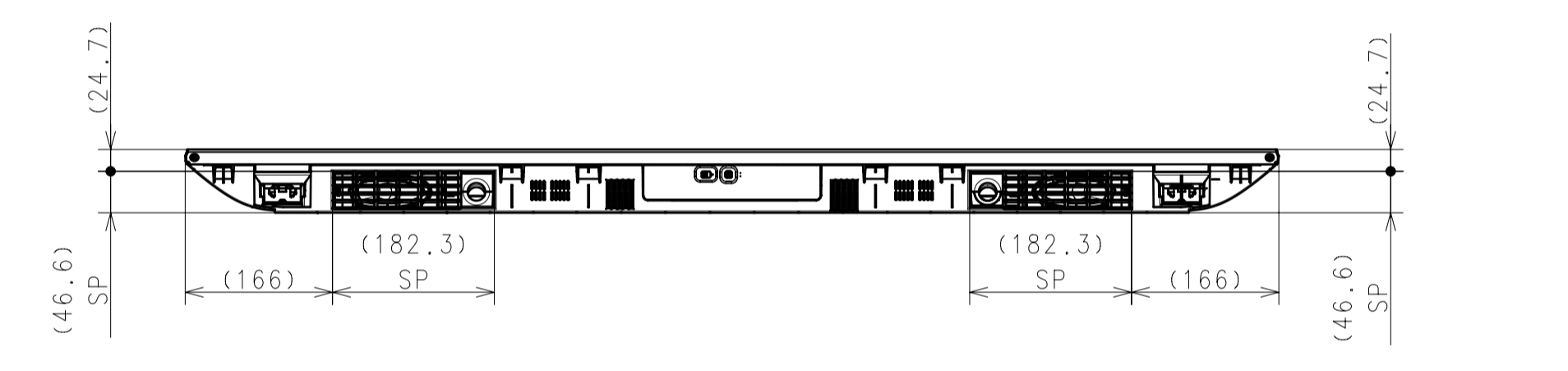
WITHOUT STAND



M6 HOLES FOR WALL MOUNT BRACKET  
\*REFER TO INSTRUCTION MANUAL  
FOR SCREW LENGTH INFORMATION



For. GENERAL AREA, NORTH AMERICA



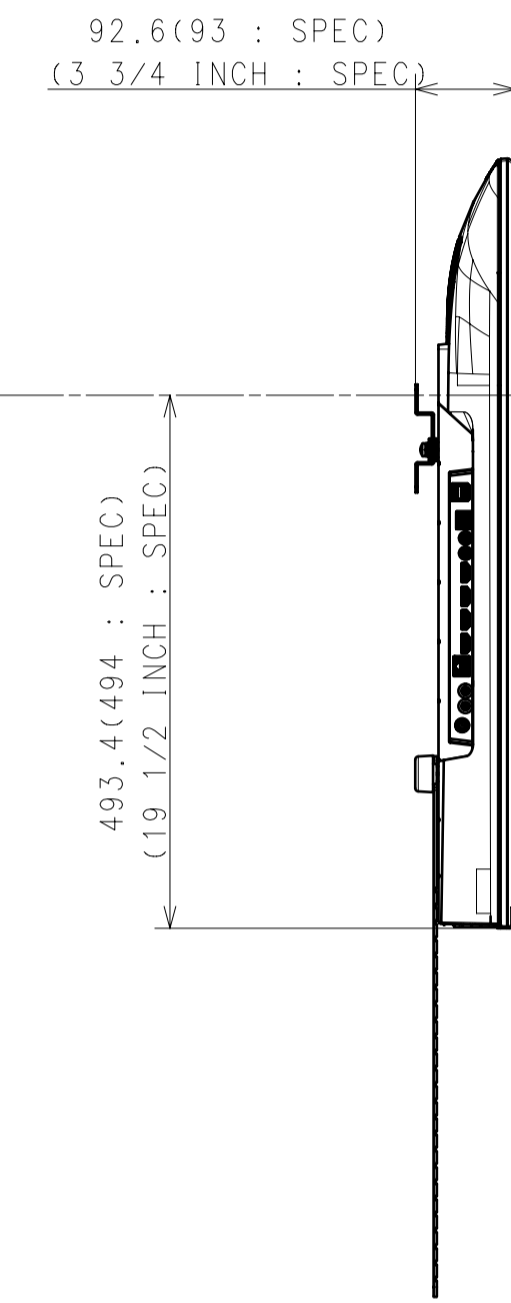
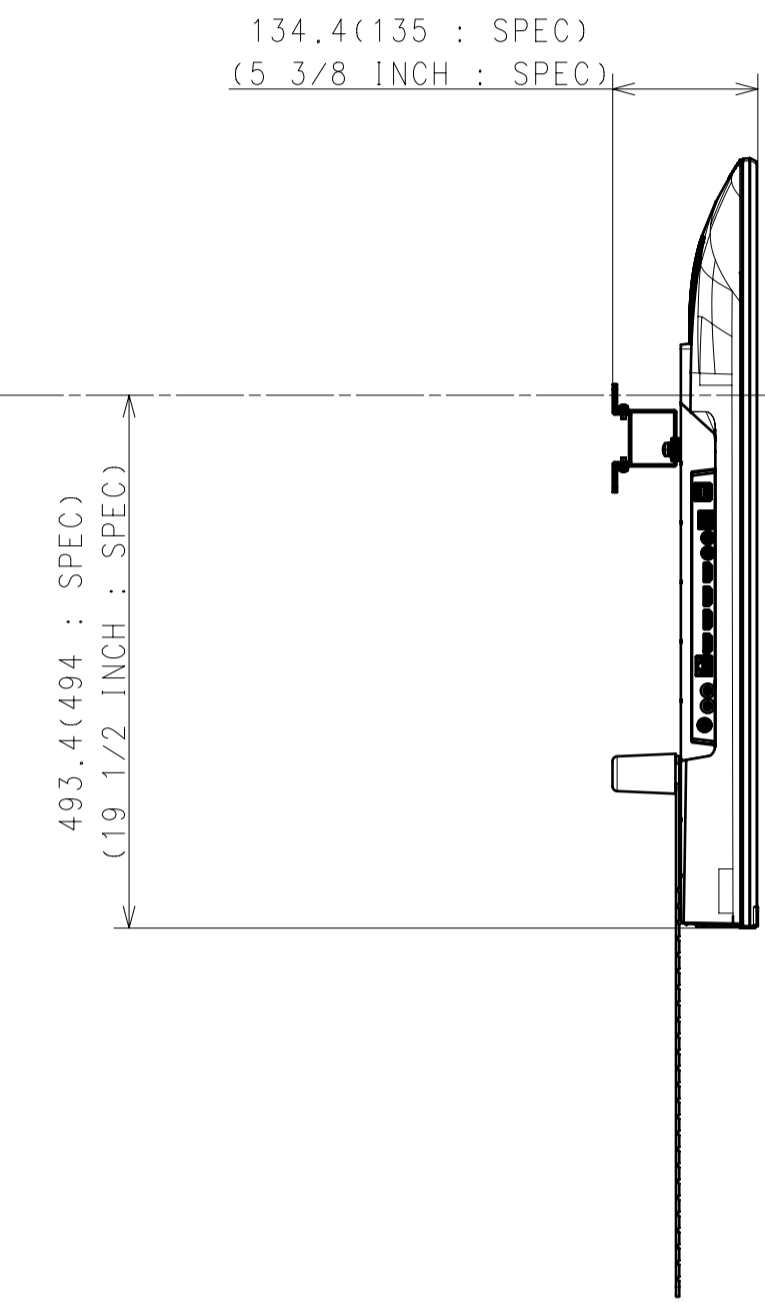
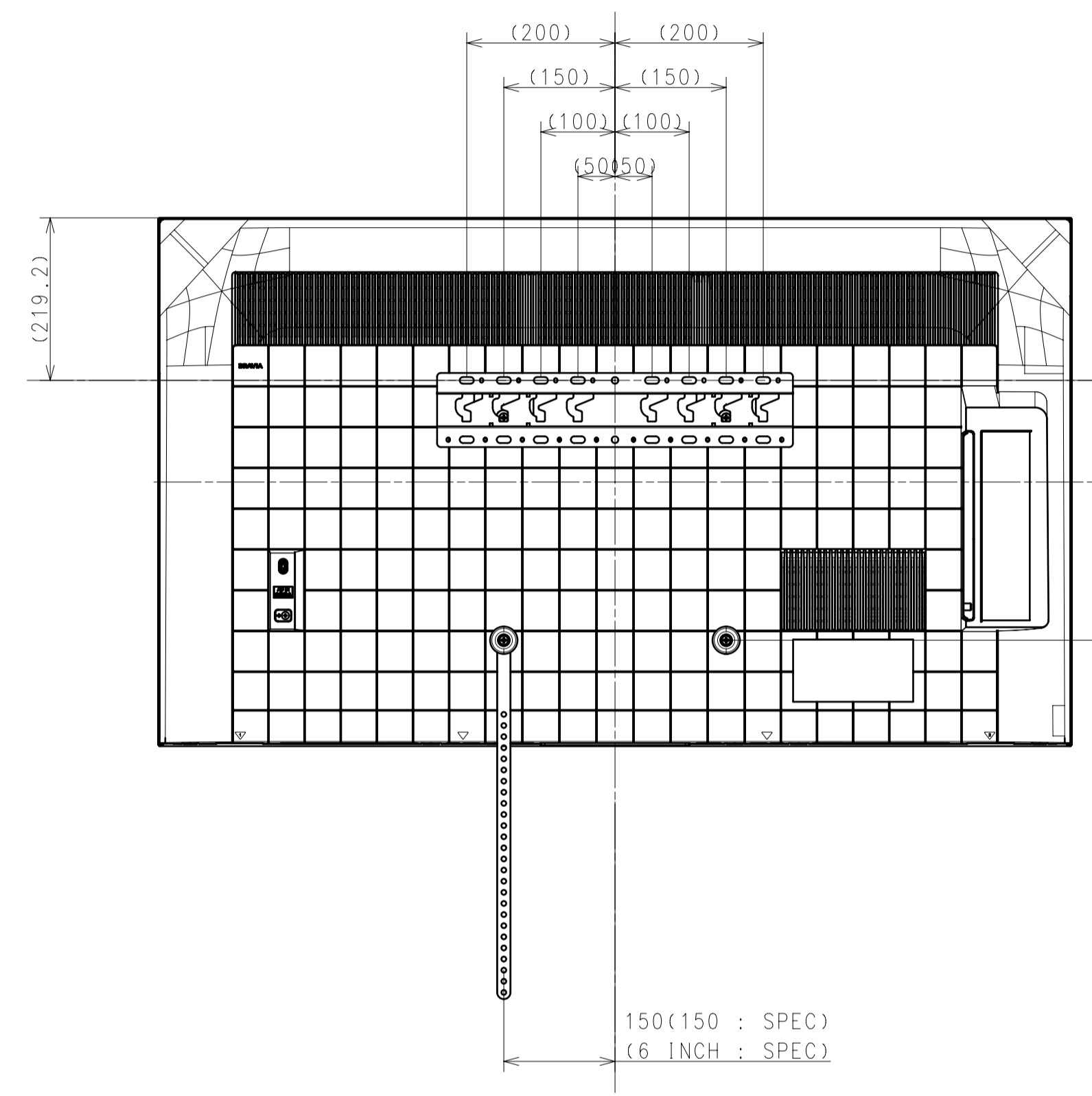
For. INDIA, LATIN AMERICA

DESCRIPTION 1	LEGAL OWNER	SCALE
55 (S30) EXTERIOR VIEW	Sony Corporation	1:7
DESCRIPTION 2	PART NO.	SHEET/PAGES
55 (S30) EXTERIOR VIEW		2 / 6

SU-WL450

STANDARD

SLIM

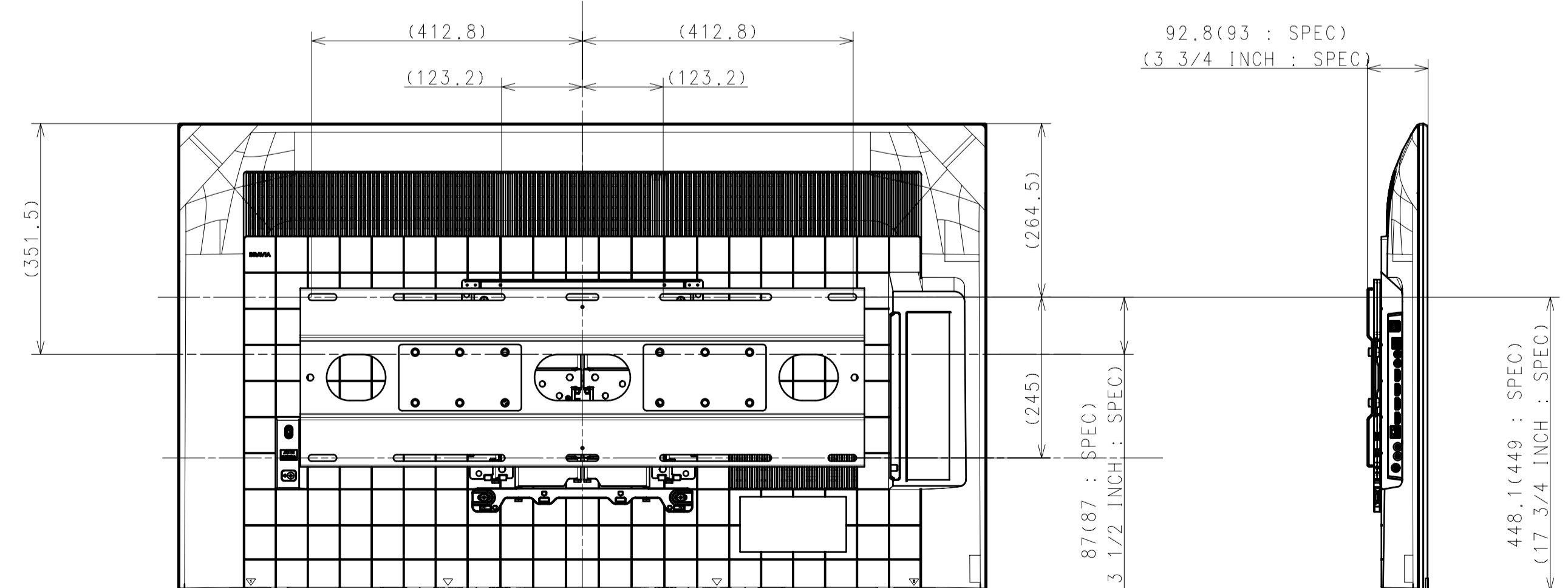
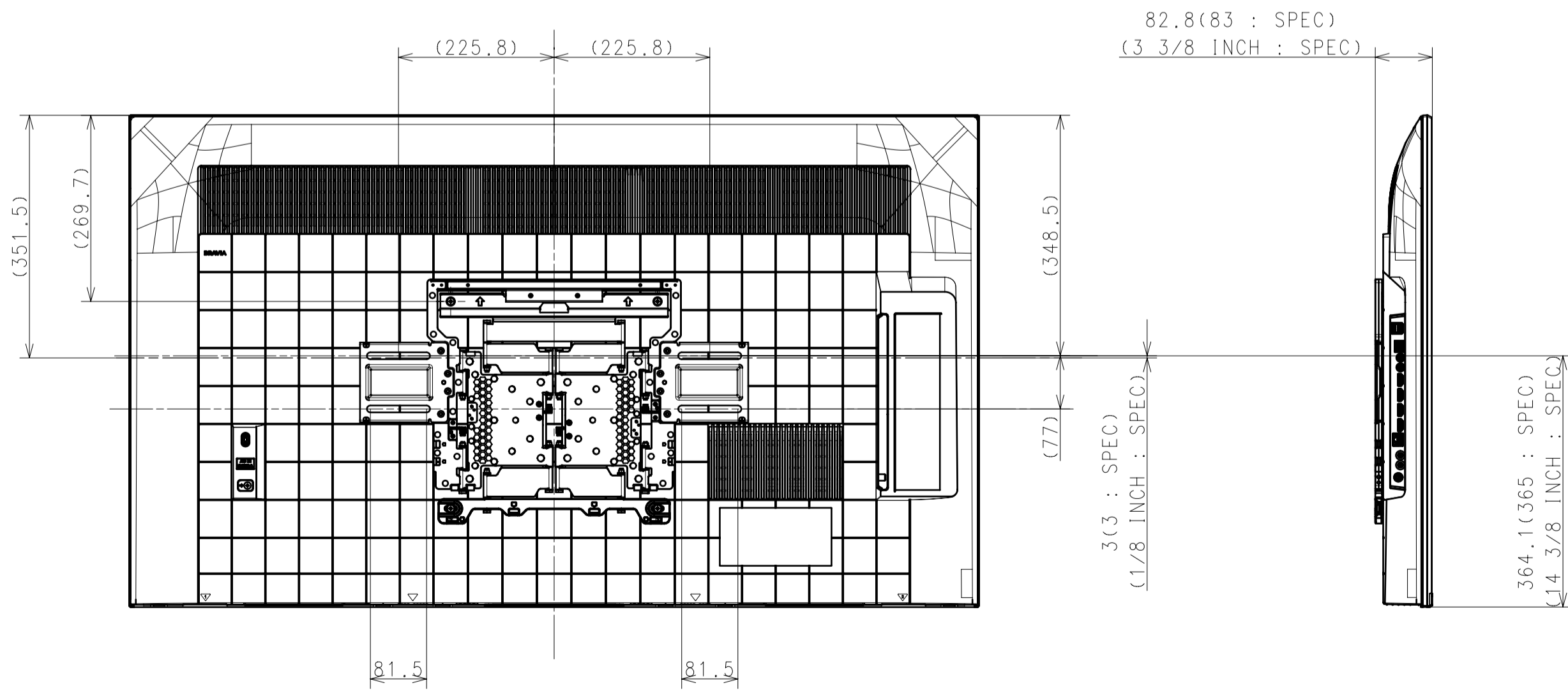
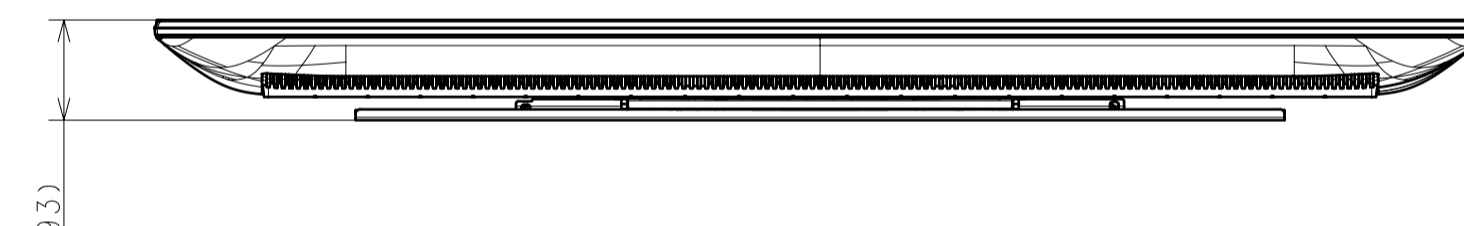
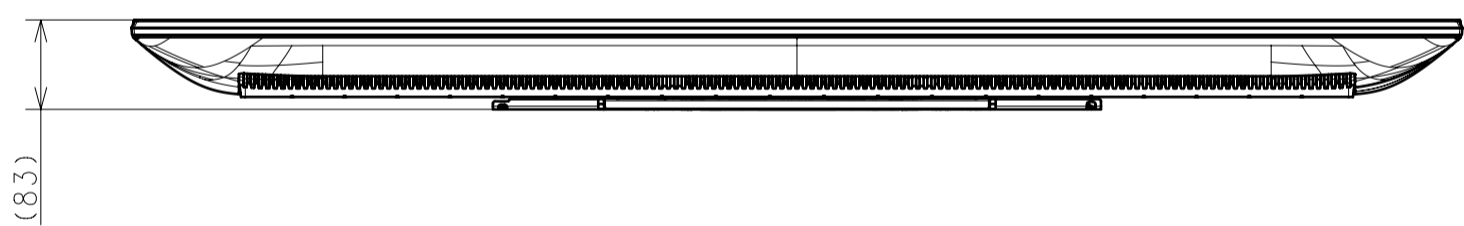
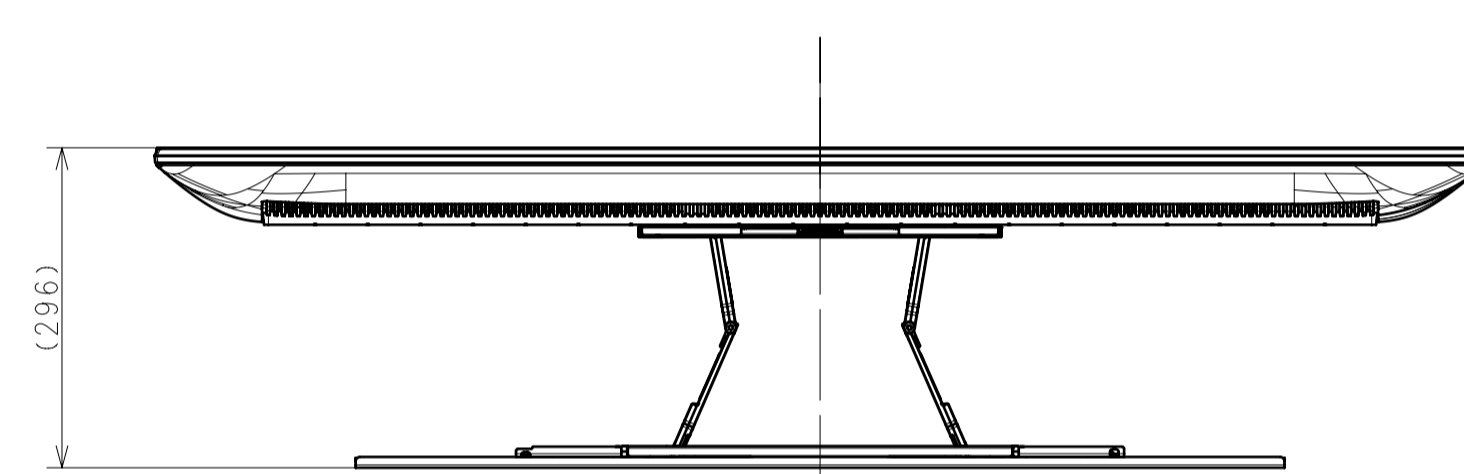
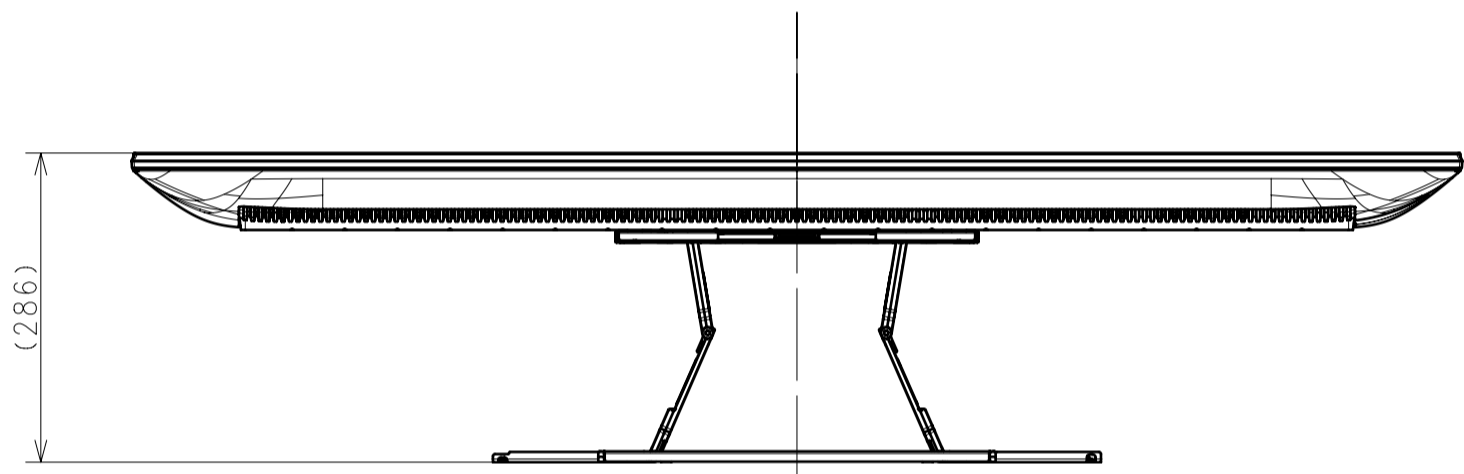
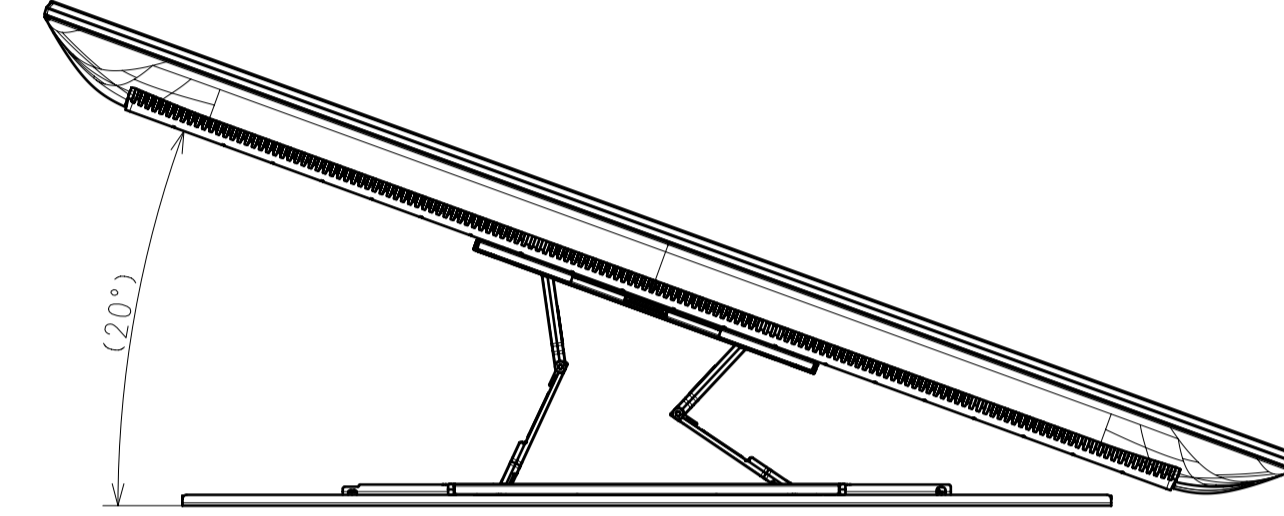
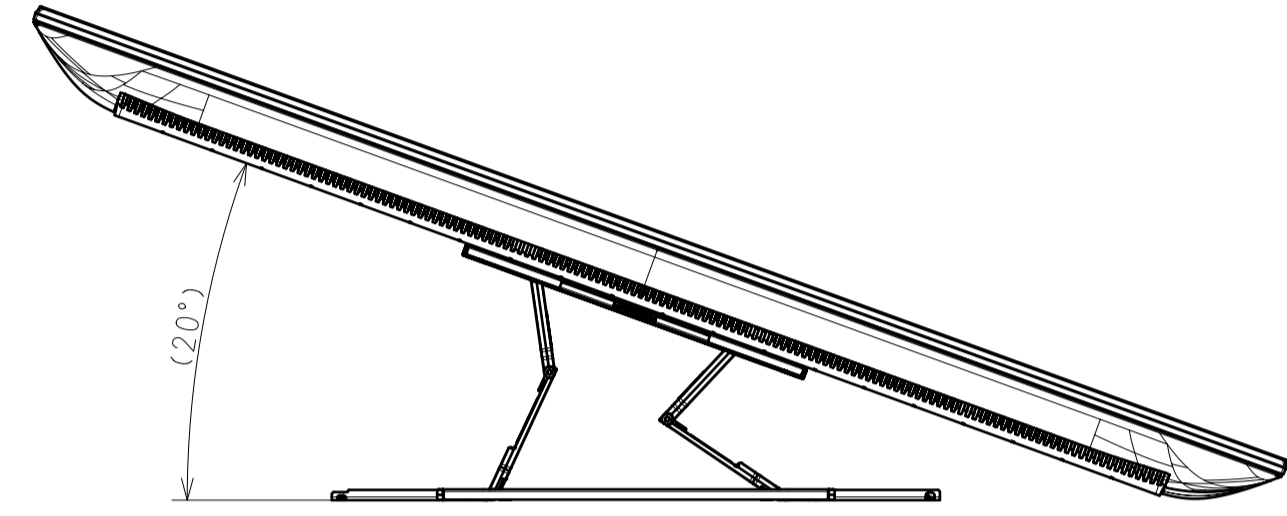
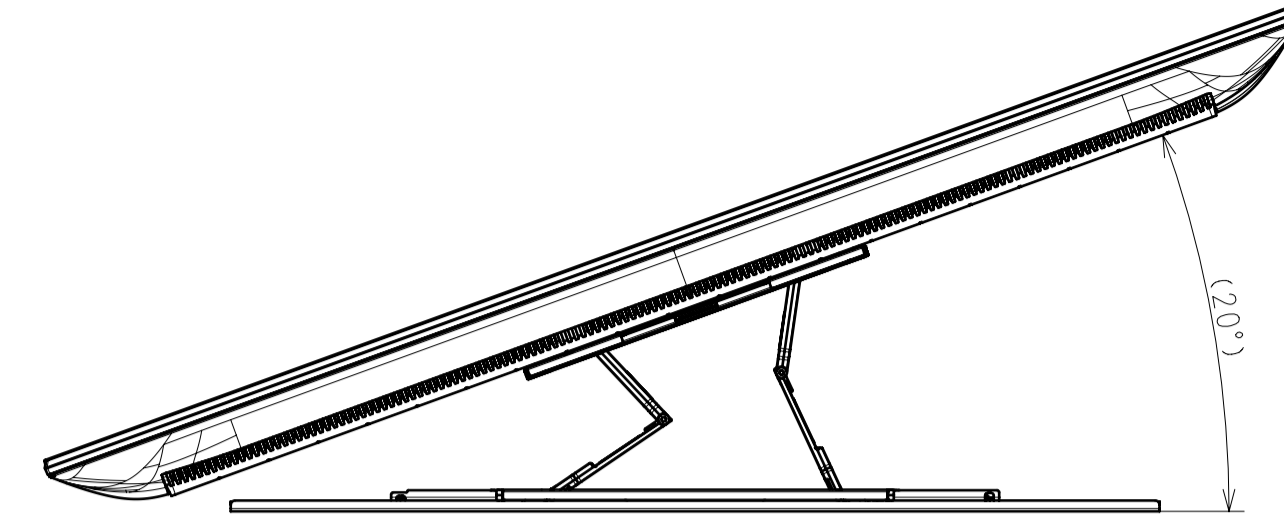
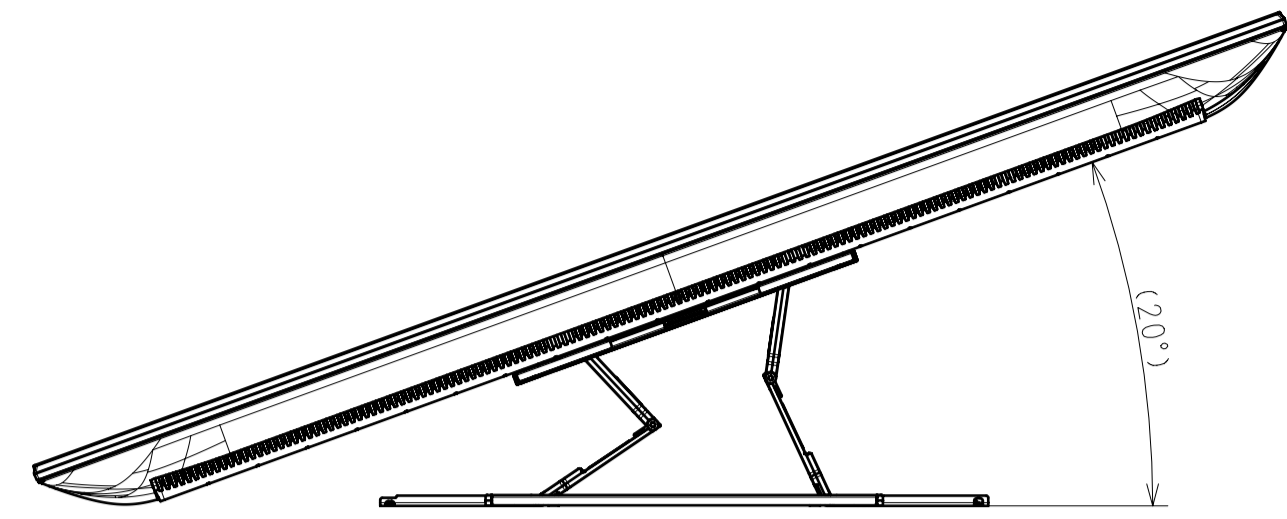


SONY STANDARD

DESCRIPTION 1	LEGAL OWNER	SCALE
55 (S30) EXTERIOR VIEW	Sony Corporation	1:7
DESCRIPTION 2	PART NO.	SHEET/PAGES
55 (S30) EXTERIOR VIEW		3/ 6

SU-WL 850

SU-WL 855 WITH LATERAL SHAFT BRACKET

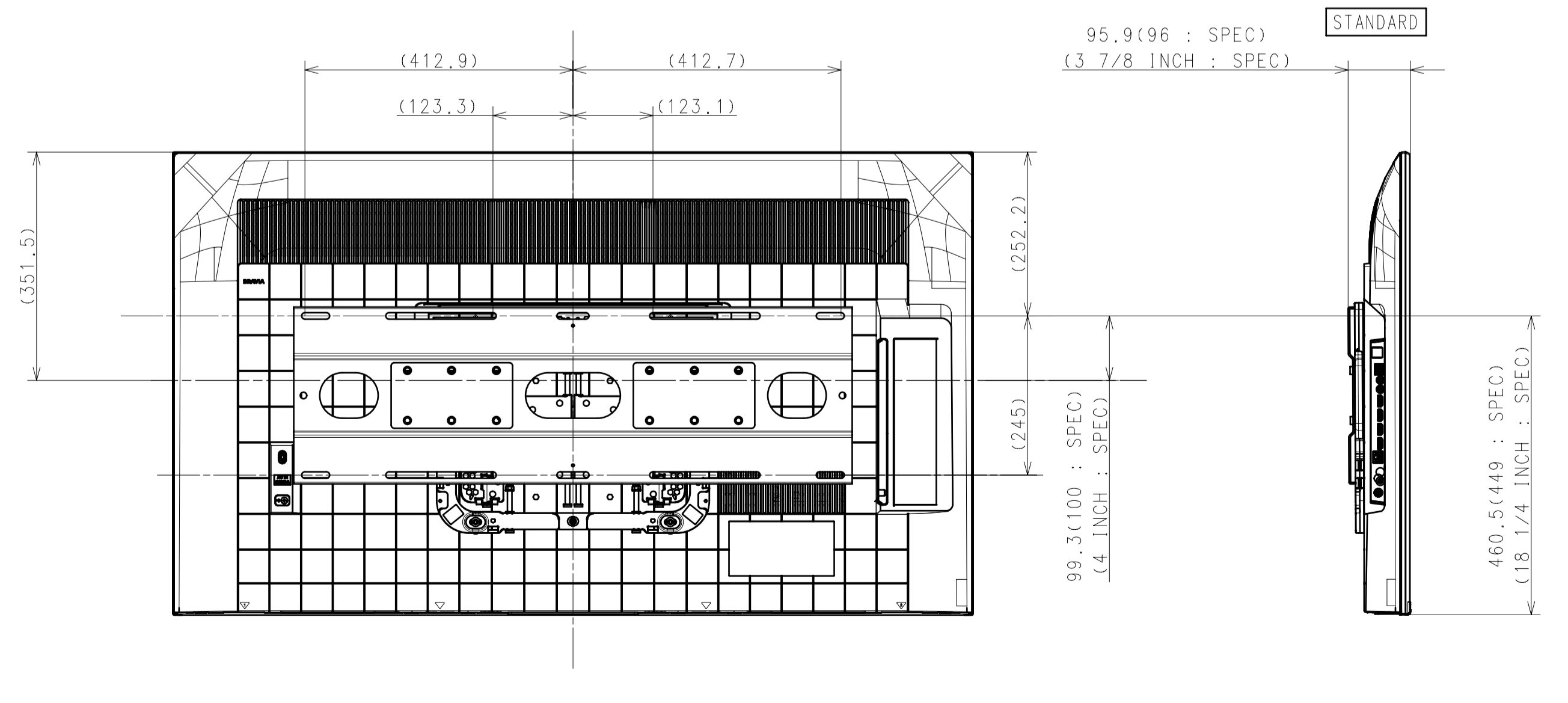
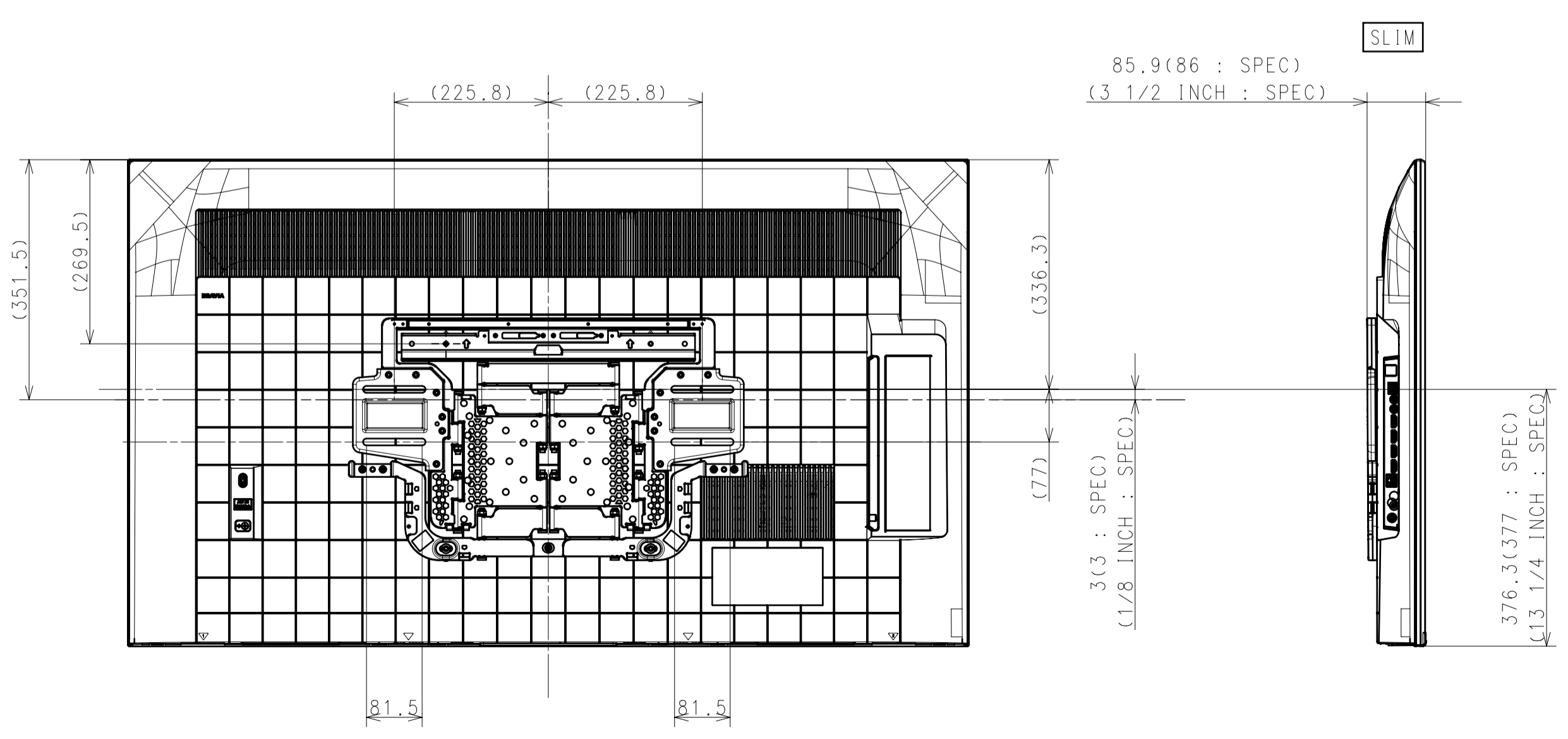
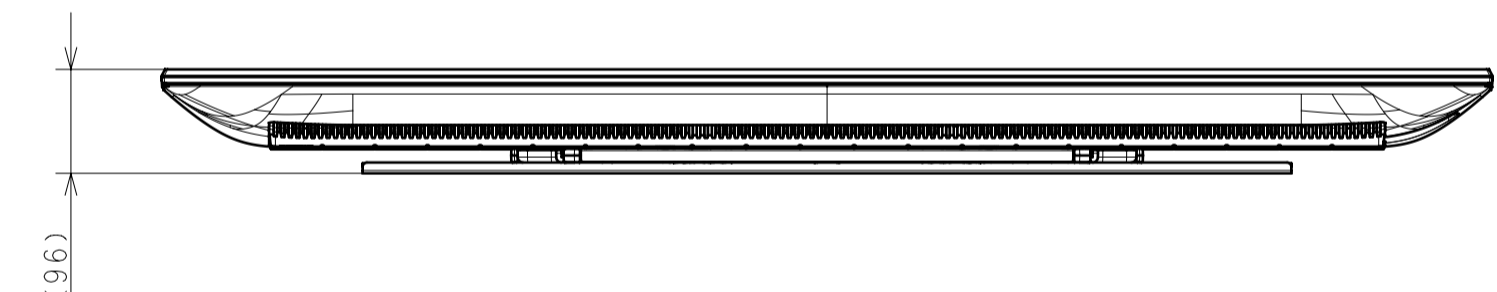
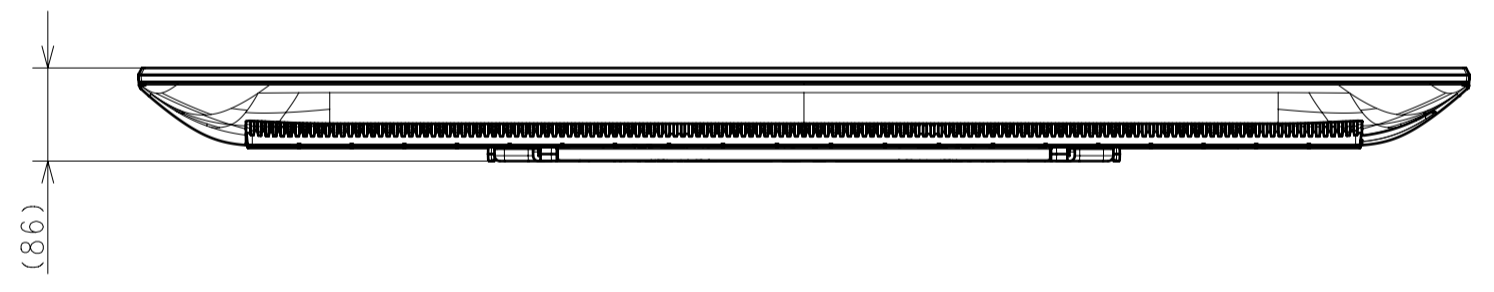
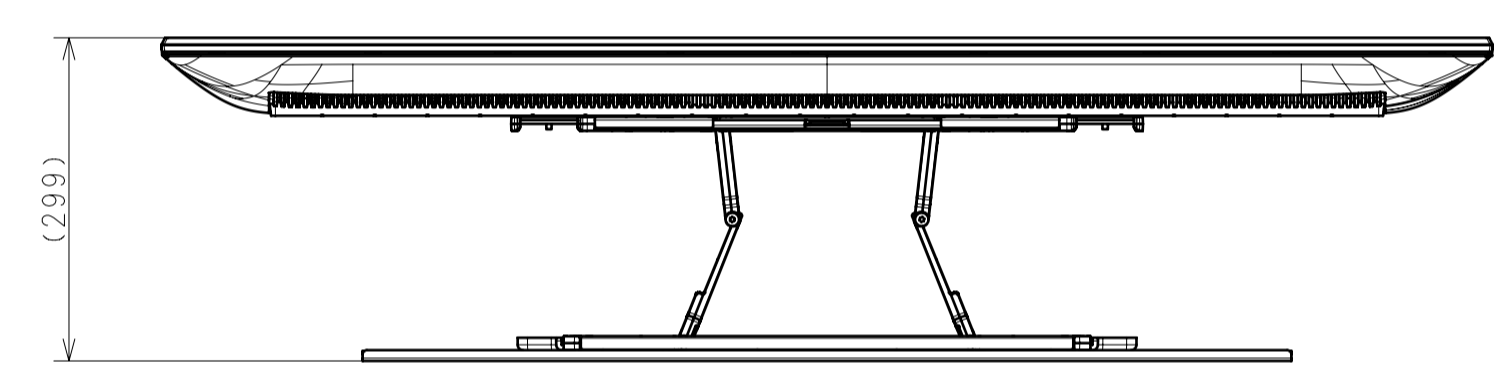
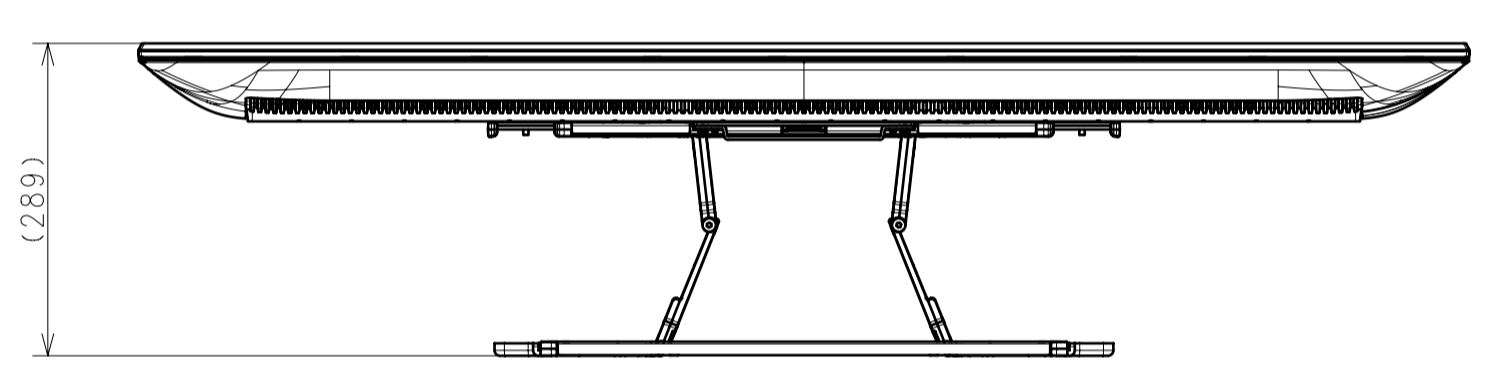
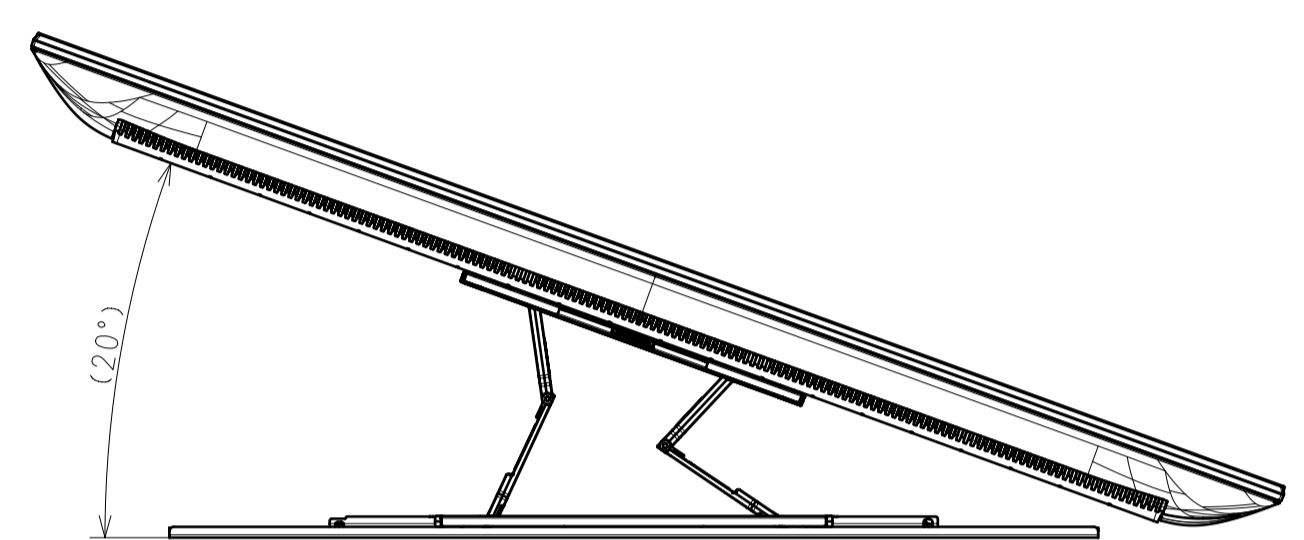
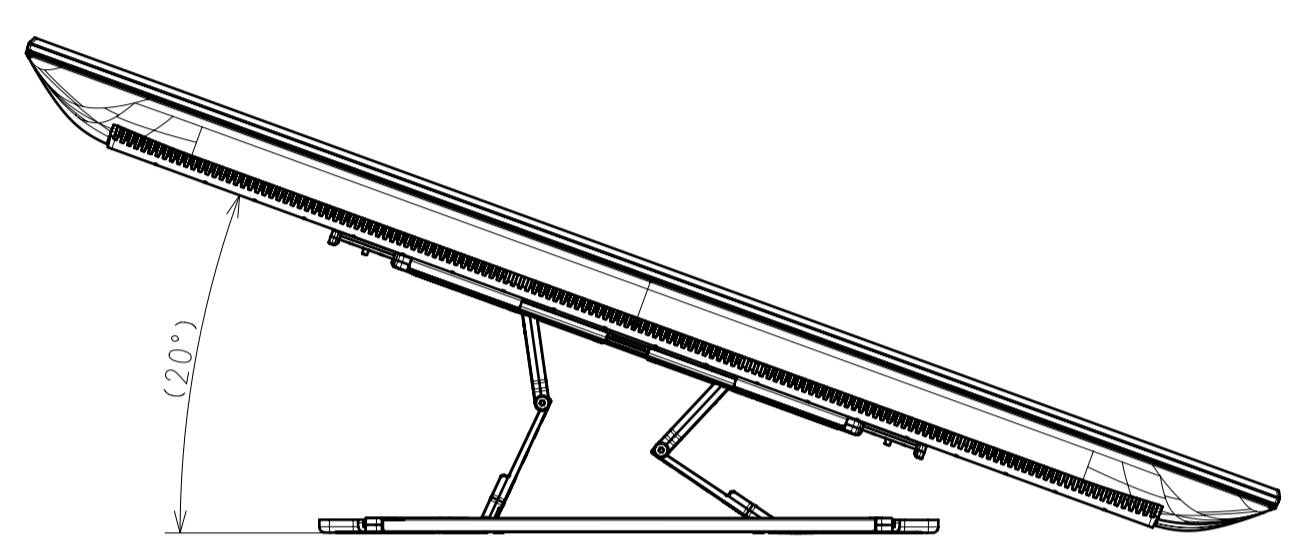
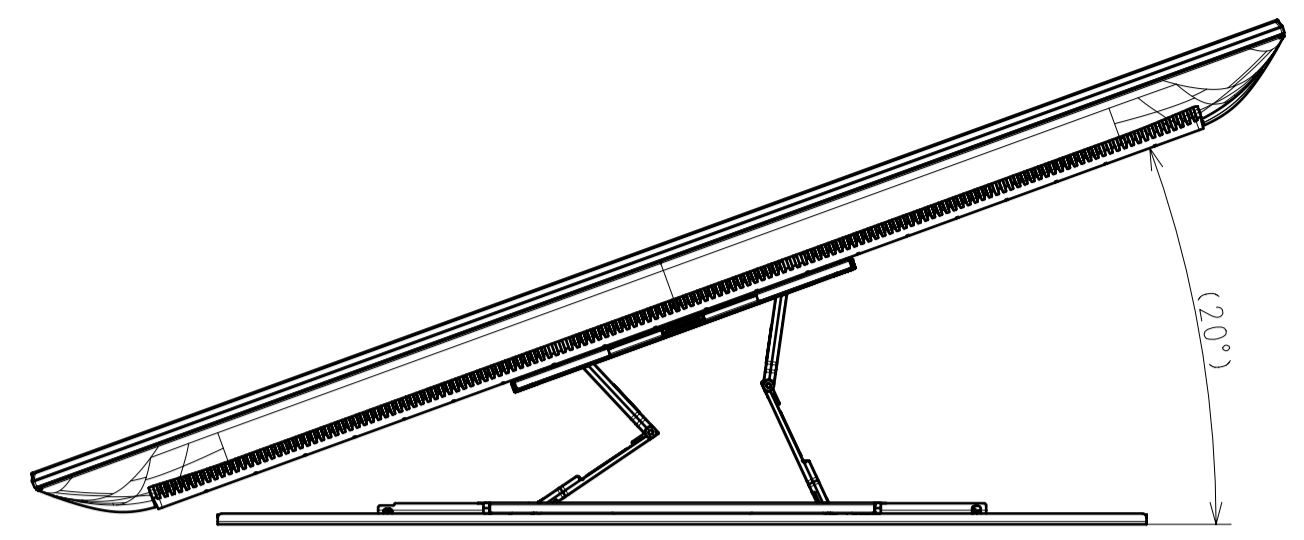
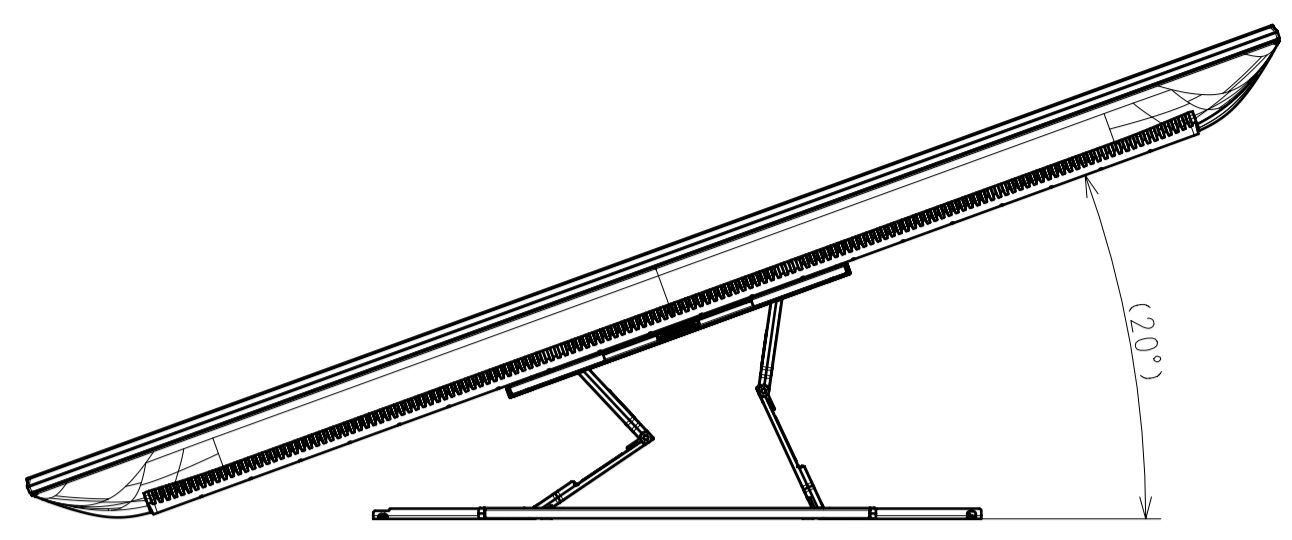


SONY STANDARD DRAWING

DESCRIPTION 1	55 (S30) EXTERIOR VIEW	LEGAL OWNER	Sony Corporation	SCALE	1:7
DESCRIPTION 2	55 (S30) EXTERIOR VIEW	PART NO.		SHEET/PAGES	4 / 6

WL900 13mm

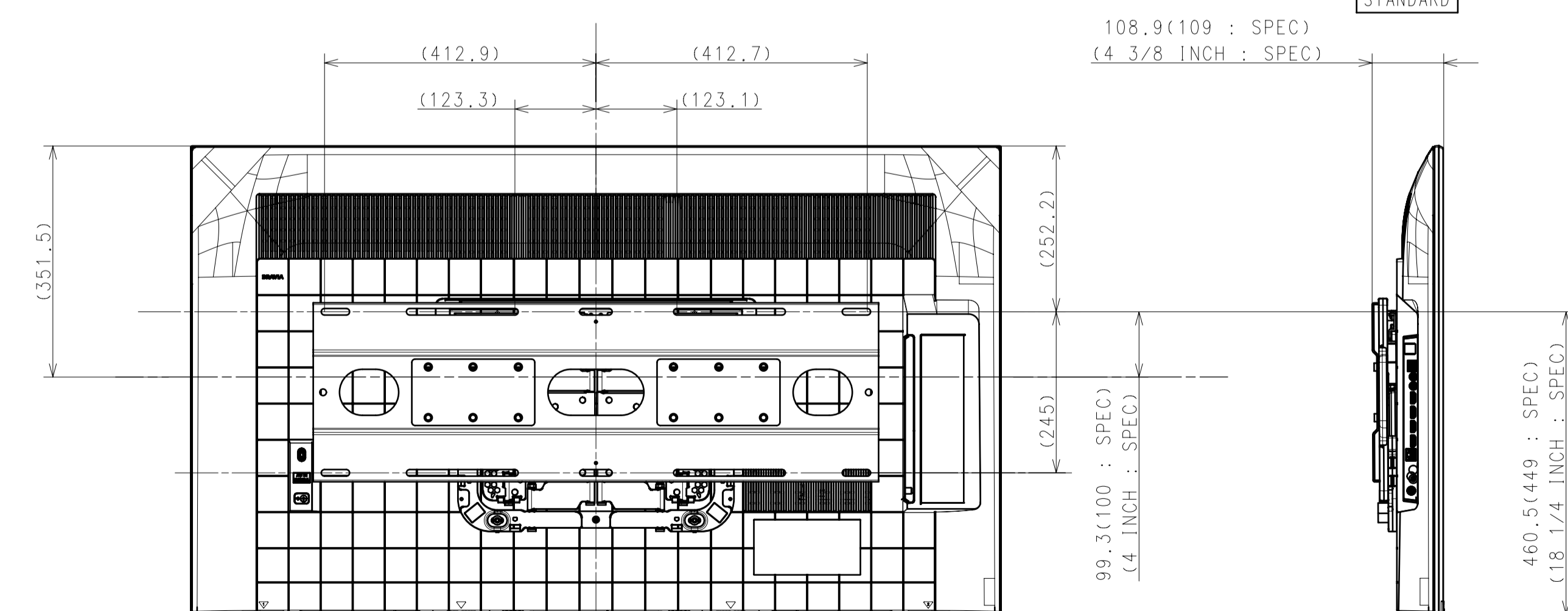
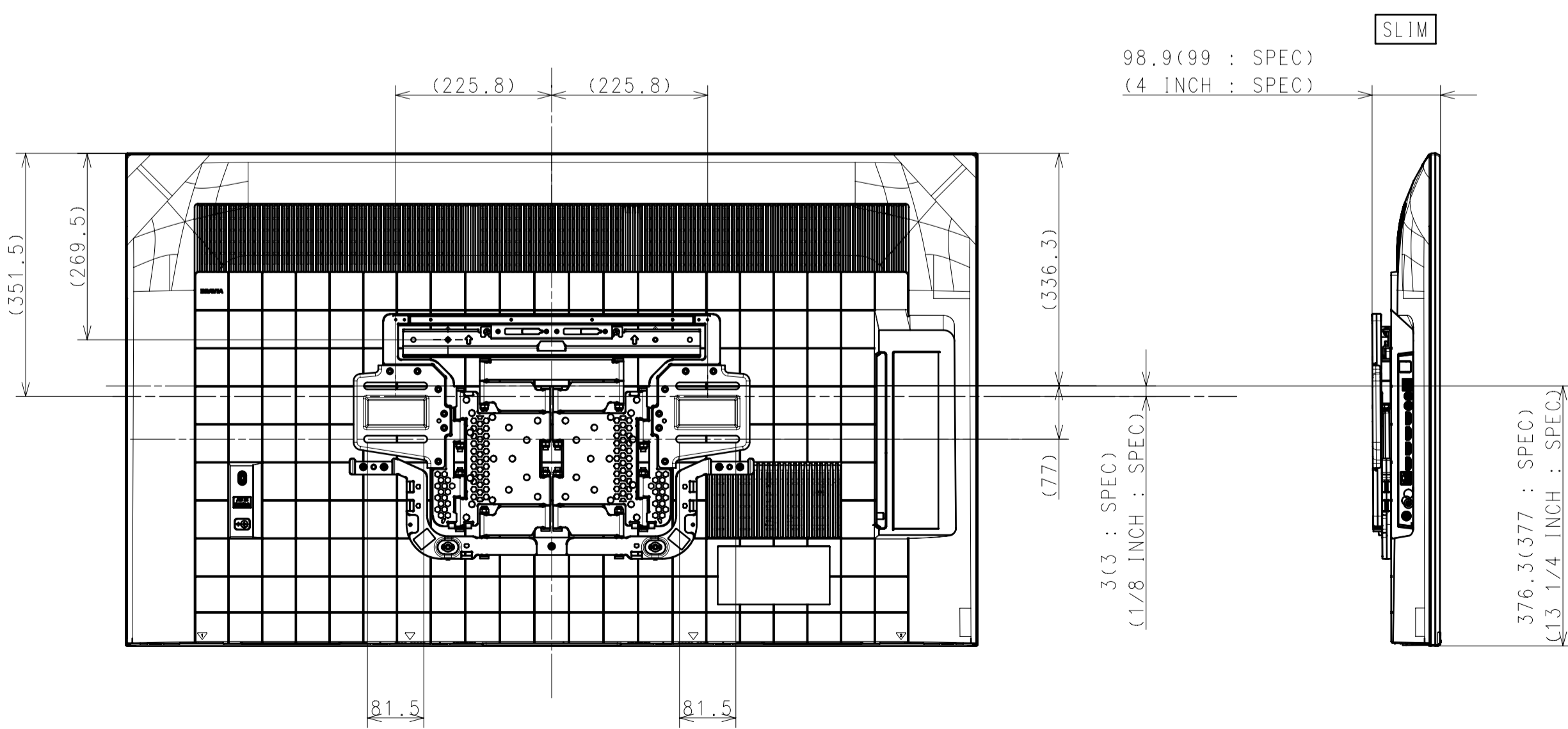
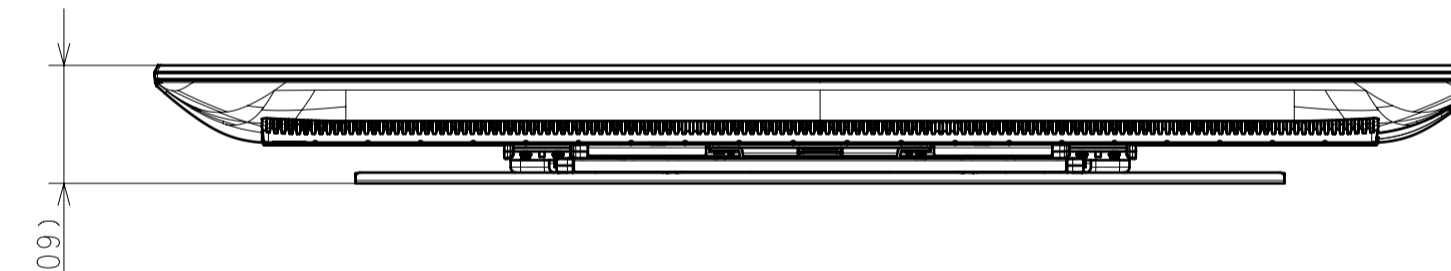
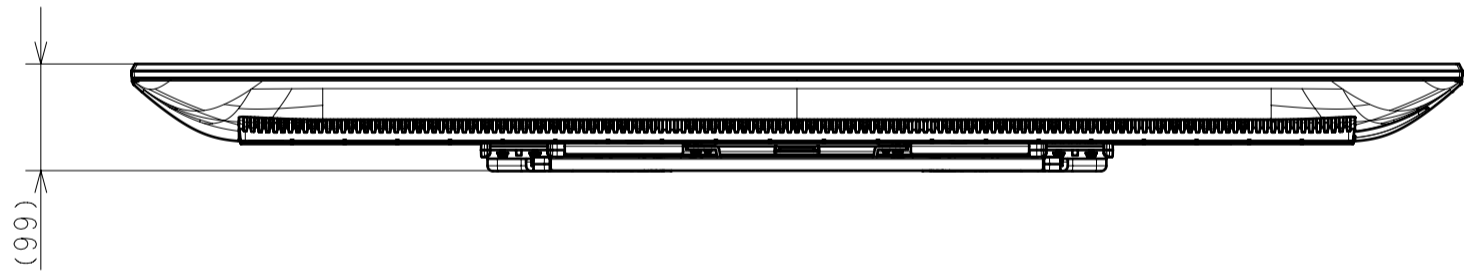
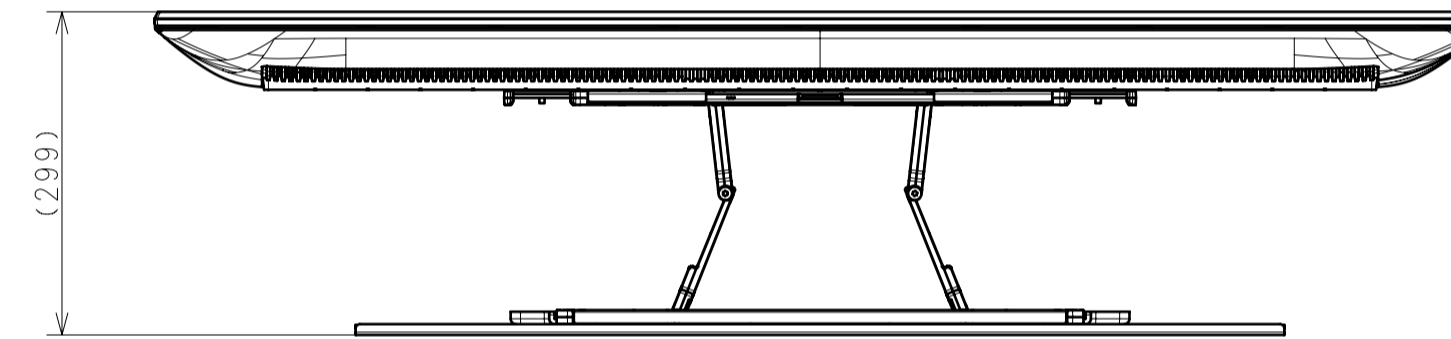
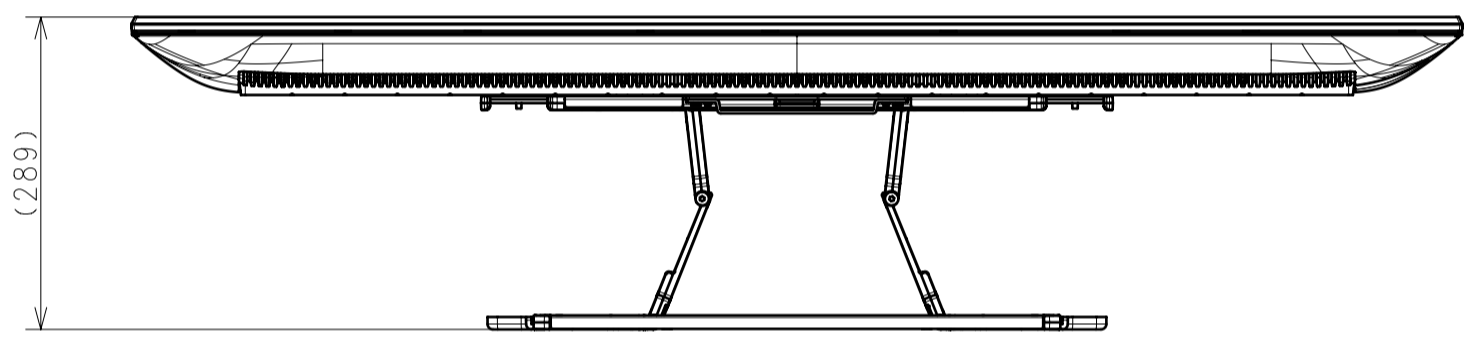
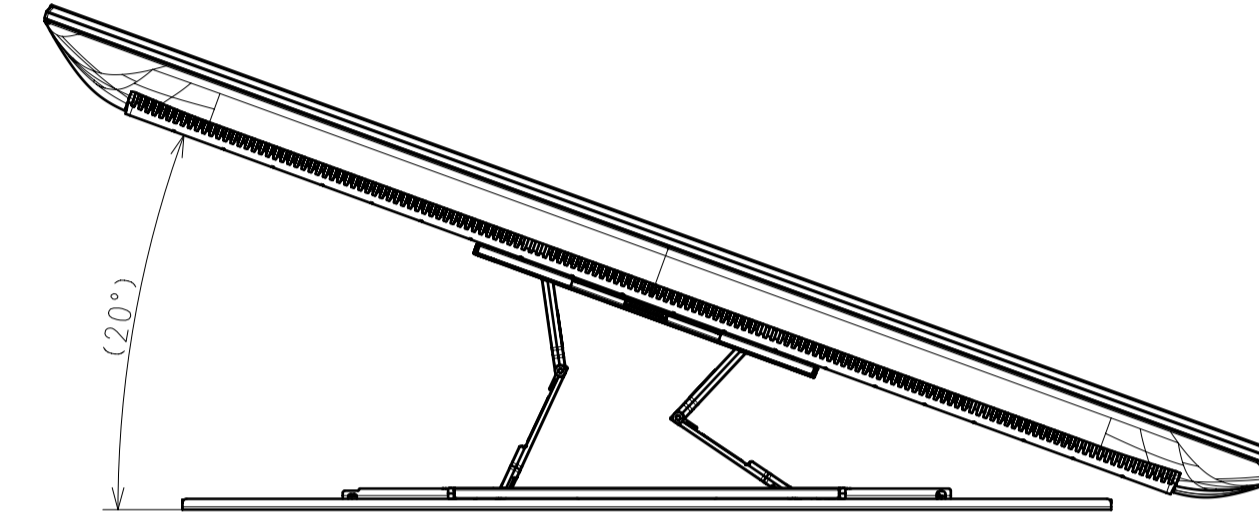
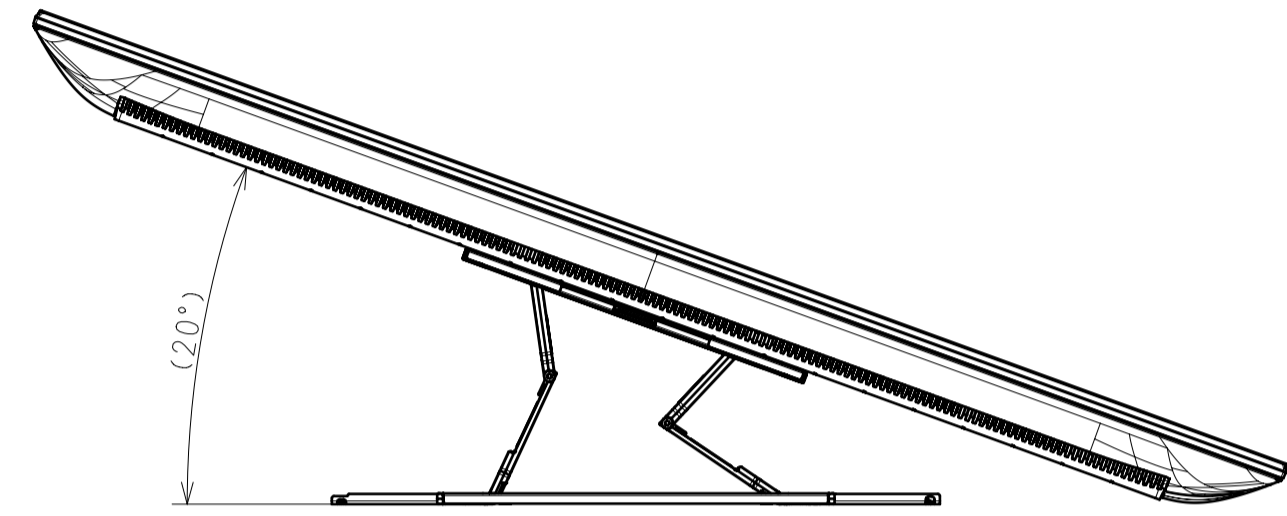
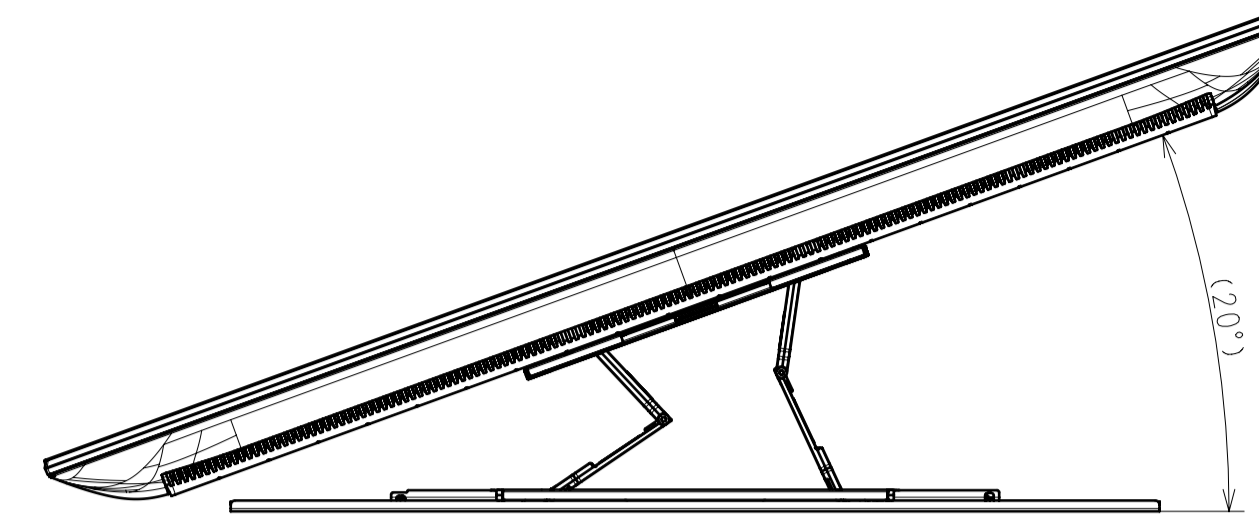
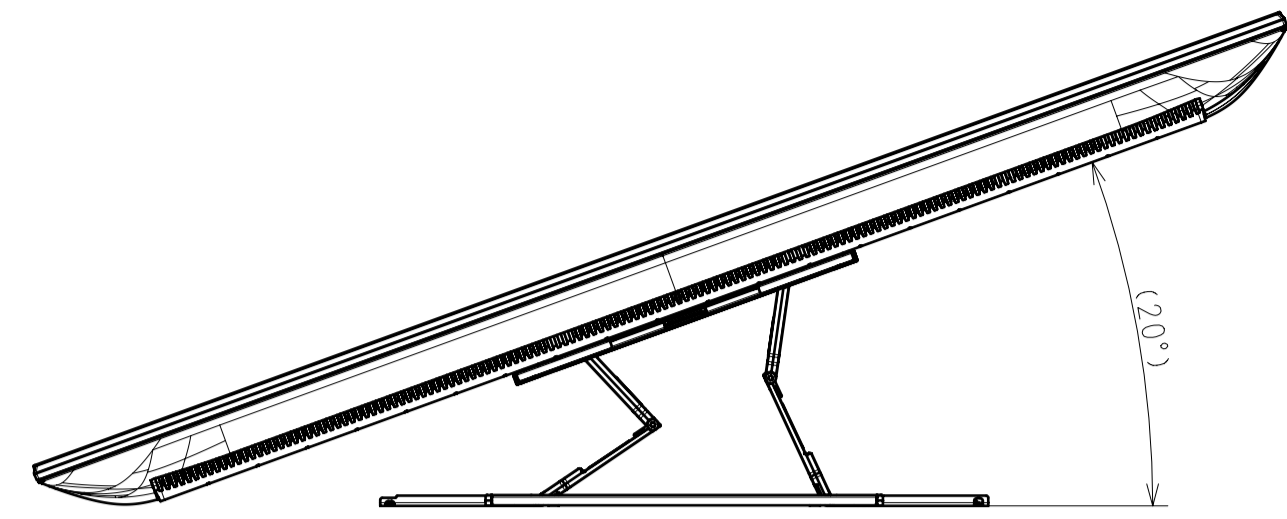
WL905 13mm WITH LATERAL SHAFT BRACKET



DESCRIPTION 1	55 (S30) EXTERIOR VIEW	LEGAL OWNER	Sony Corporation	SCALE	1:7
DESCRIPTION 2	55 (S30) EXTERIOR VIEW	PART NO.		SHEET/PAGES	5/ 6

WL900 26mm

WL905 26mm WITH LATERAL SHAFT BRACKET



DESCRIPTION 1	55 (S30) EXTERIOR VIEW	LEGAL OWNER	Sony Corporation	SCALE	1:7
DESCRIPTION 2	55 (S30) EXTERIOR VIEW	PART NO.		SHEET/PAGES	6/6