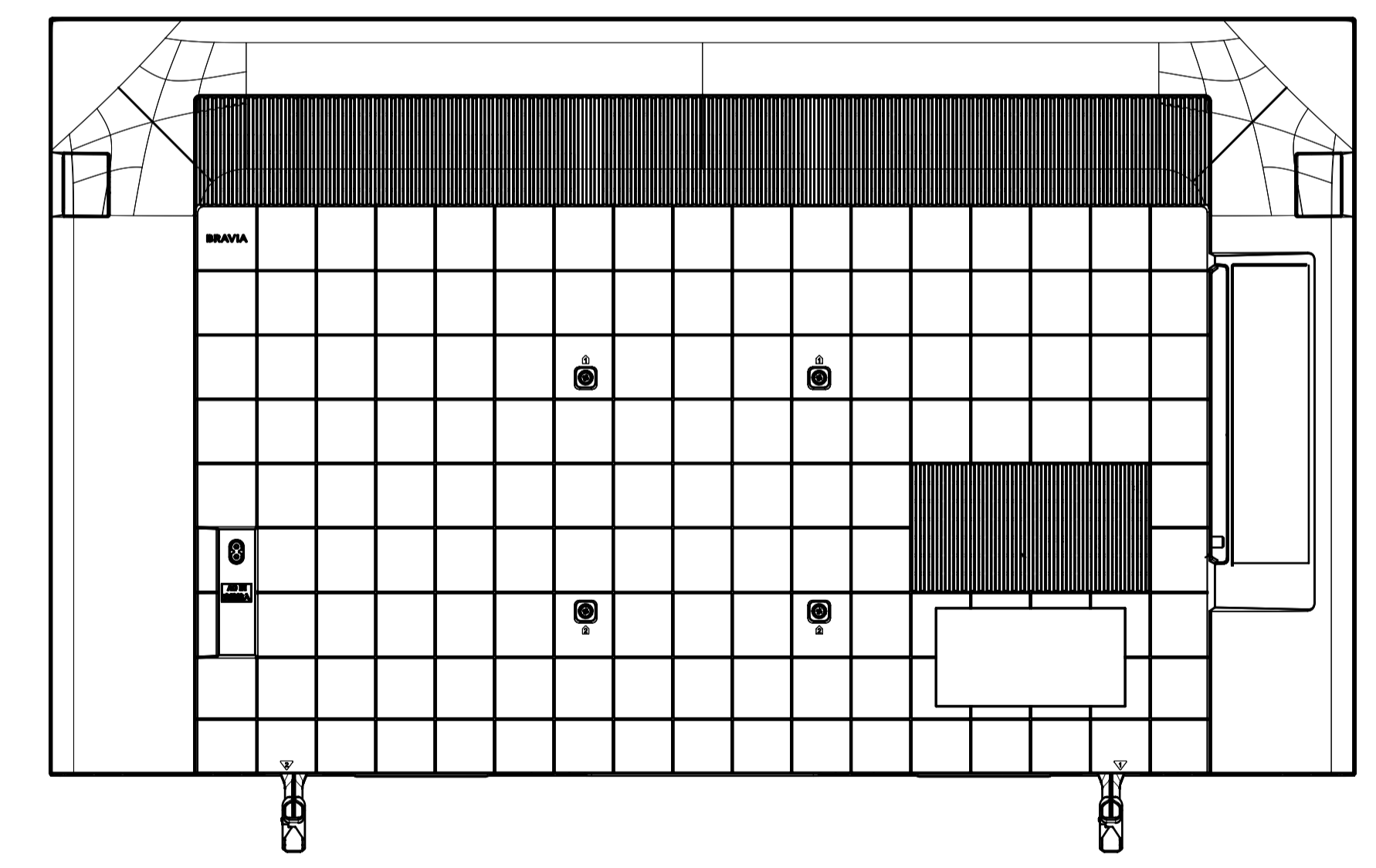
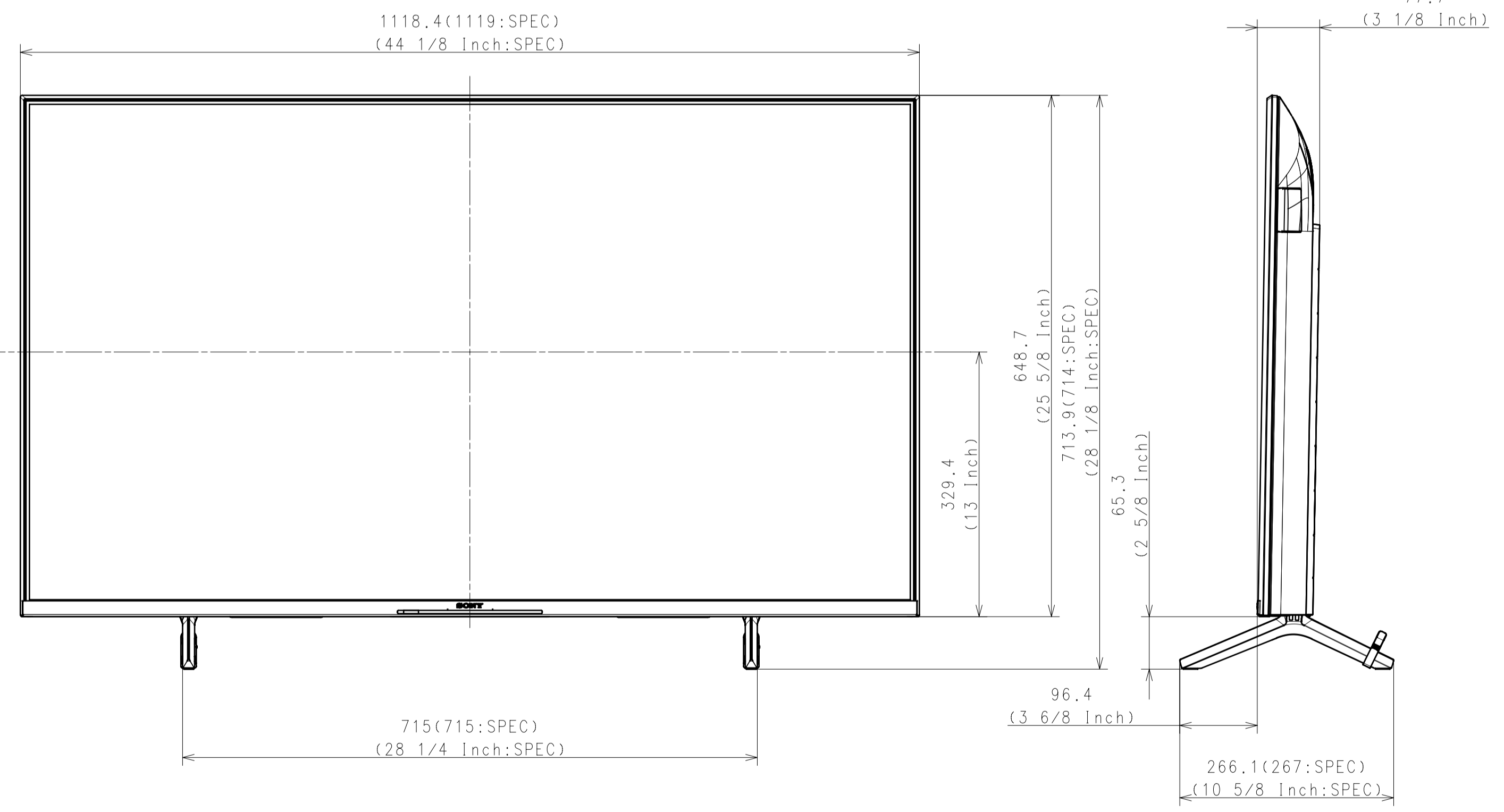
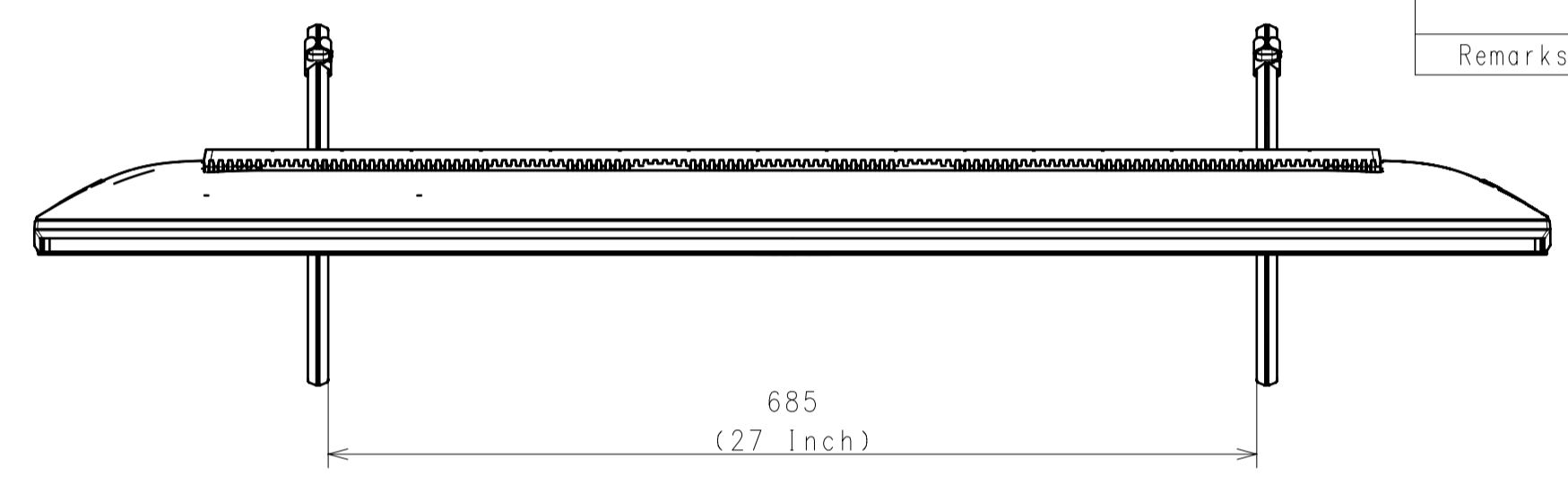


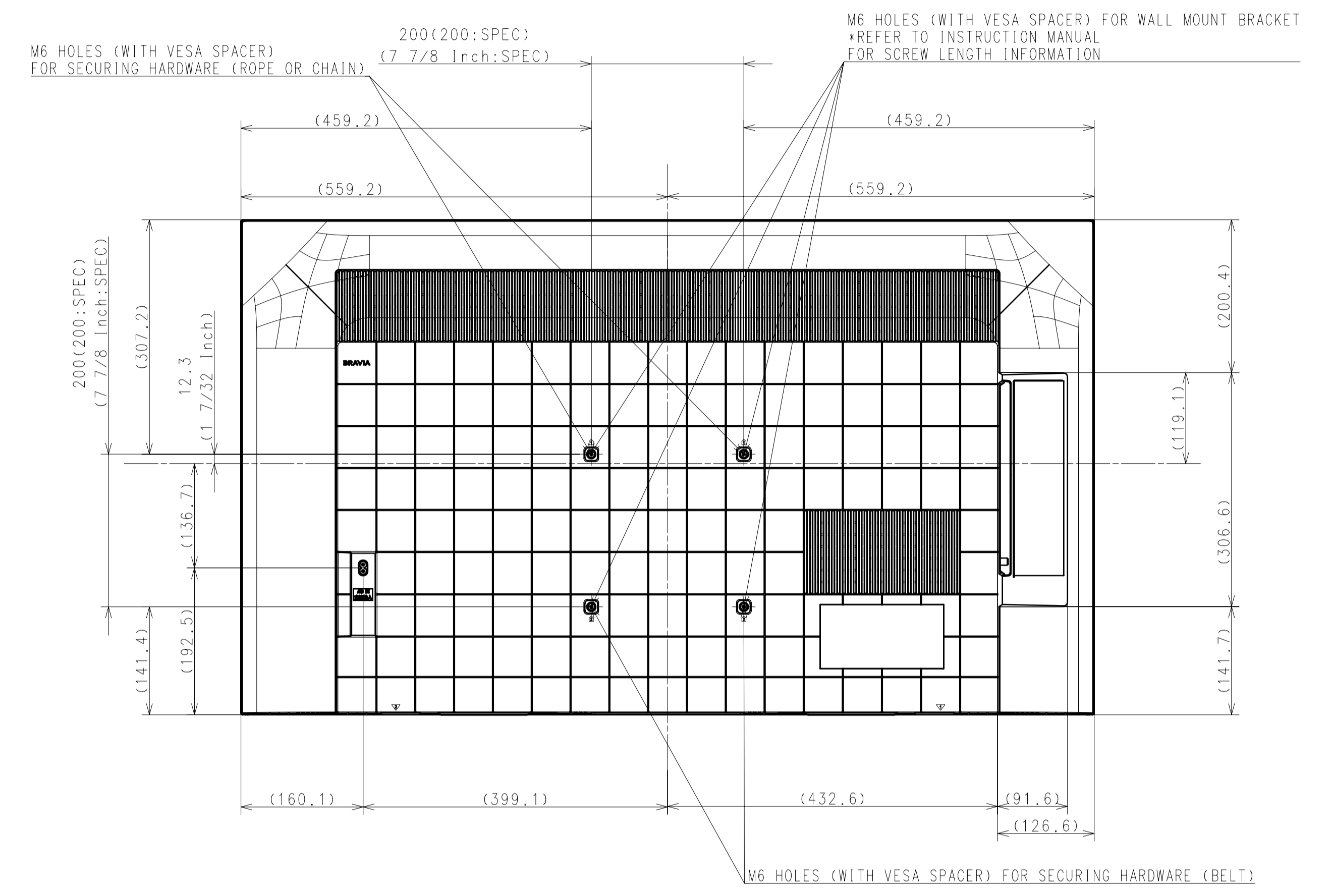
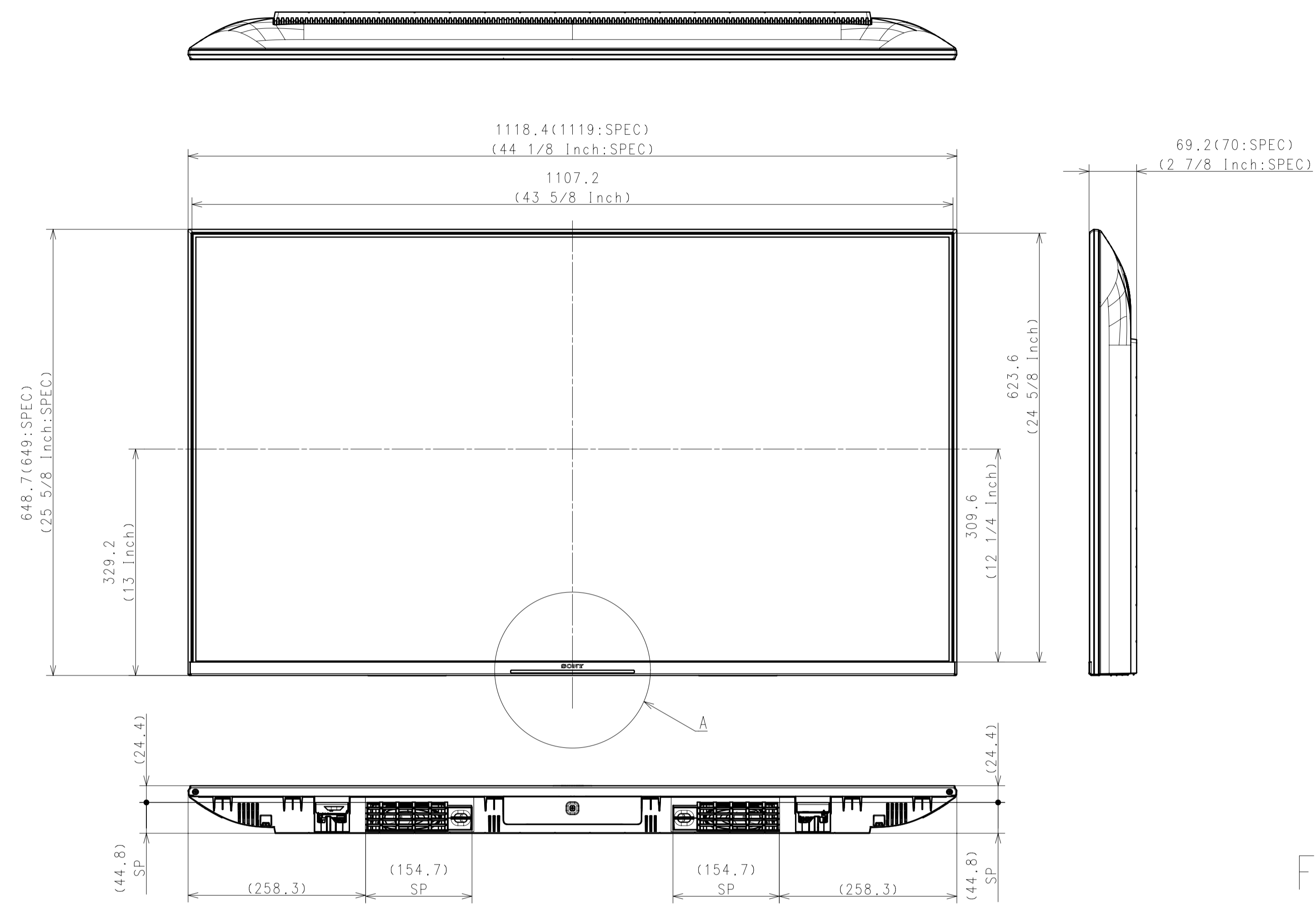
Area	NORTH AMERICA	LATIN AMERICA	GENERAL AREA + IN5 stand models	IN5 Stand-less
Model Name	K-50S30	K-50S30	K-50S30	K-50S30
SV No.	SV-42005	SV-42015	SV-42027	SV-42039
TV only (W x H x D)	1119 x 649 x 70 mm / 44 1/8 x 25 5/8 x 2 7/8 inch	1119 x 649 x 70 mm	Approx. 1119 x 649 x 70 mm	Approx. 1119 x 649 x 70 mm
TV only with camera (W x H x D)	-	-	-	-
TV with Stand (Outside) (W x H x D)	1119 x 714 x 267 mm / 44 1/8 x 28 1/8 x 10 5/8 inch	1119 x 714 x 267 mm	Approx. 1119 x 714 x 267 mm	-
TV with Stand (Inside) (W x H x D)	-	-	-	-
TV with Stand (Outside for Soundbar) (W x H x D)	-	-	-	-
TV with Stand (Inside for Soundbar) (W x H x D)	-	-	-	-
TV with Stand (Front position style) (W x H x D)	-	-	-	-
TV with Stand (Back position style) (W x H x D)	-	-	-	-
TV with Floor Stand (W x H x D)	-	-	-	-
Stand Width (Outside)	715 mm / 28 1/4 inch	715 mm	Approx. 715 mm	-
Stand Width (Inside)	-	-	-	-
Stand Width (Outside for Soundbar)	-	-	-	-
Stand Width (Inside for Soundbar)	-	-	-	-
Stand Width (Front position style)	-	-	-	-
Stand Width (Back position style)	-	-	-	-
Floor Stand Width	-	-	-	-
VESA Hole Pitch	200 x 200 mm / 7 7/8 x 7 7/8 inch	200 x 200 mm	200 x 200 mm	200 x 200 mm
TV Only	12.1 kg / 26.7 lb	12.1 kg	Approx. 12 kg	Approx. 12 kg
TV with Stand (Outside)	12.3 kg / 27.1 lb	12.3 kg	Approx. 12.2 kg	-
TV with Stand (Inside)	-	-	-	-
TV with Stand (Outside for Soundbar)	-	-	-	-
TV with Stand (Inside for Soundbar)	-	-	-	-
TV with Stand (Front/Back position style)	-	-	-	-
TV with Floor Stand	-	-	-	-
Floor Stand weight (Supply)	-	-	-	-
W-M't Br. Weight (Supply)	-	-	-	-
Remarks				

WITH STAND

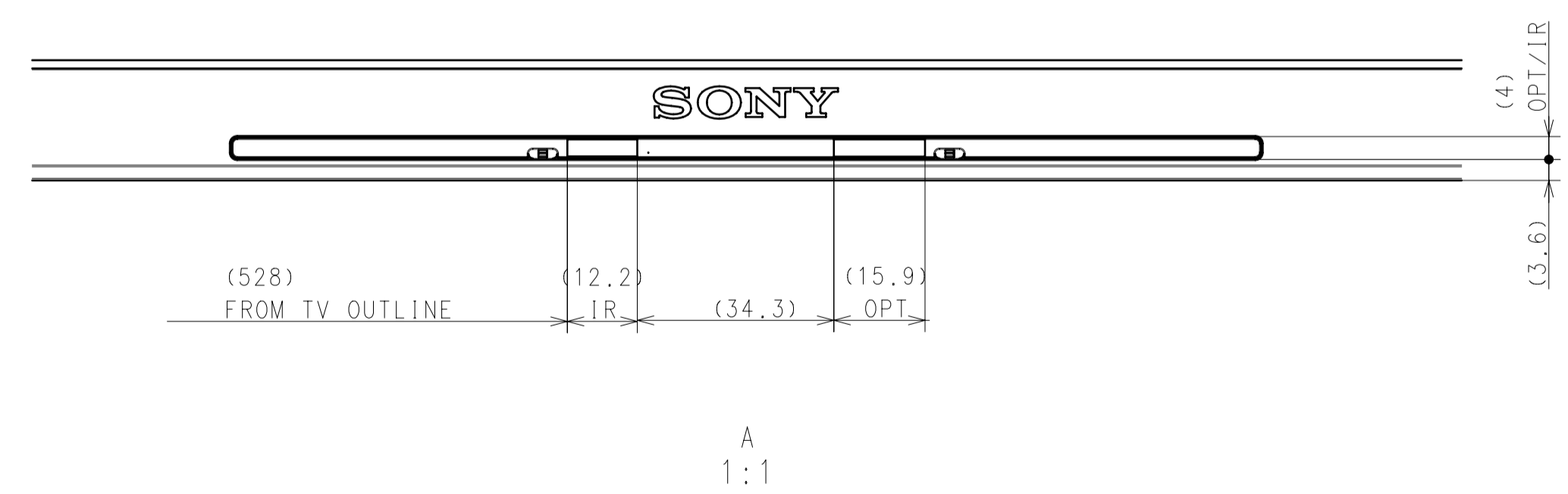


HISTORY 1. COUNT 2. SUFFIX 3. RELEASE NO. 4. DATE 5. REVISION 6. SIGN.		GENERAL TOLERANCE DATE OF ISSUE 2023.12.14 DOCUMENT TYPE ASSEMBLY TOOLERANCE DIMENSIONS (JIS & ISO/IEC 10303)
RESPONSIBLE DEPARTMENT PANEL & MECHANICAL DESIGN PLANNED BY 2023.12.14 DRAWN BY 2023.12.14		ORIGINAL MODEL 50(S30) TENTATIVE MODEL 50(S30) SCALE 1:5 SIZE A1 UNIT mm PART NO. SUFFIX REV. NO. SHEET/PAGES 1/3

WITHOUT STAND



For GENERAL AREA, NORTH AMERICA, LATIN AMERICA

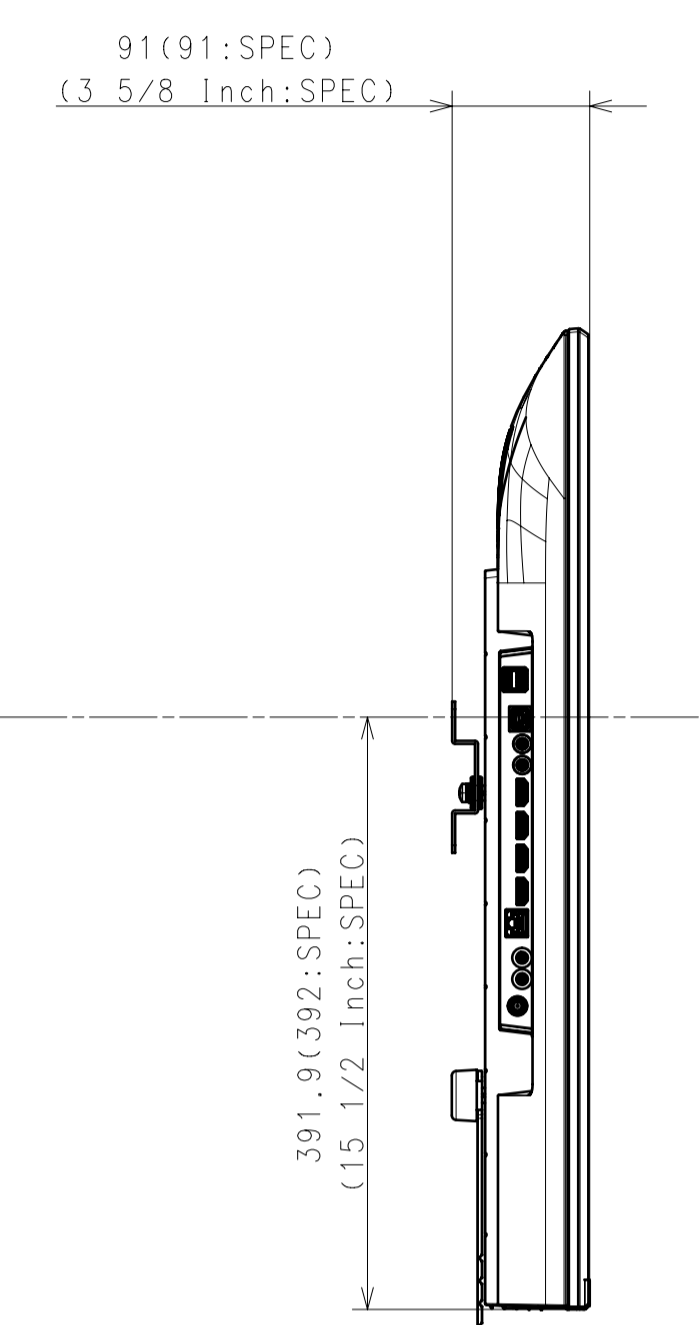
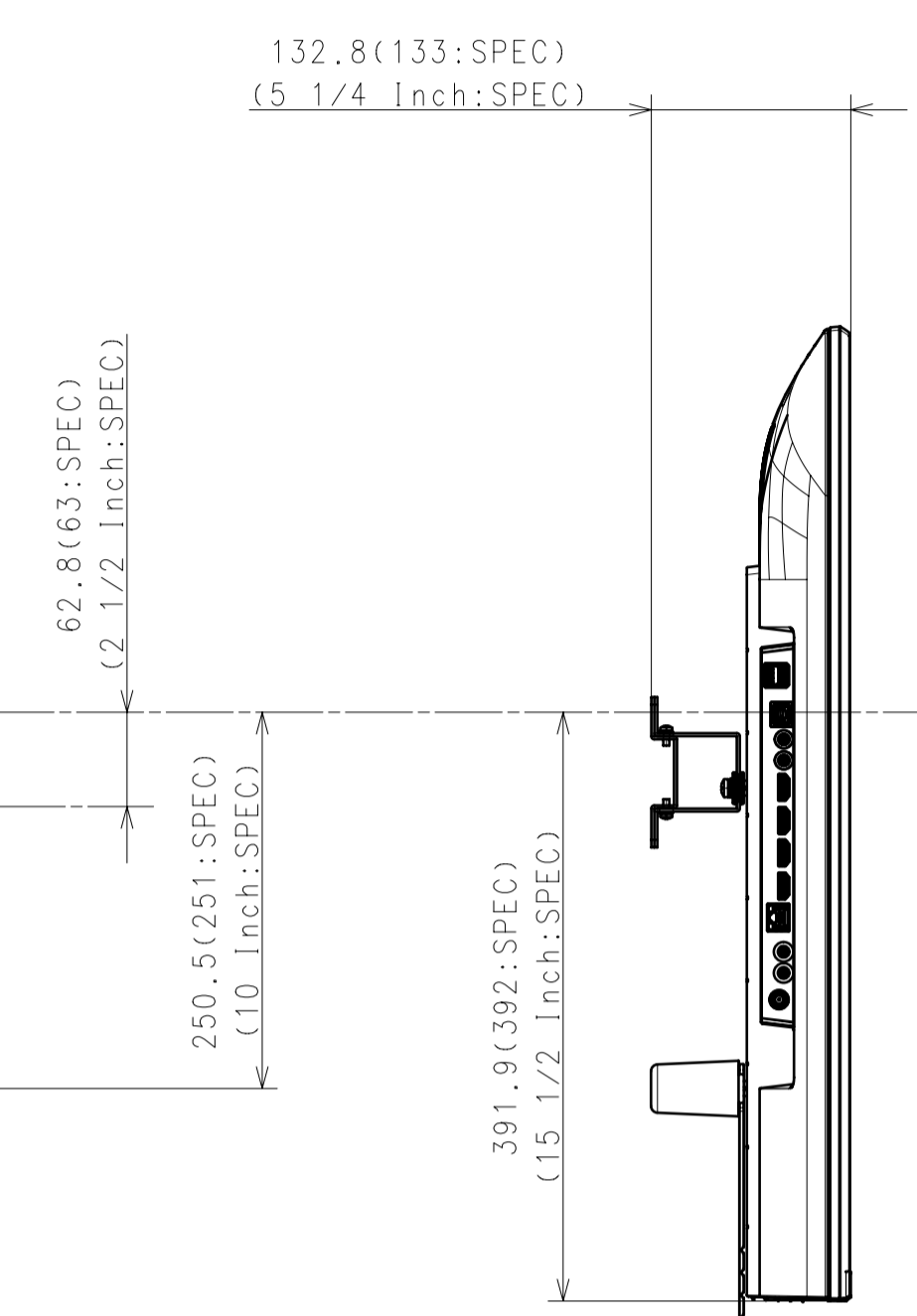
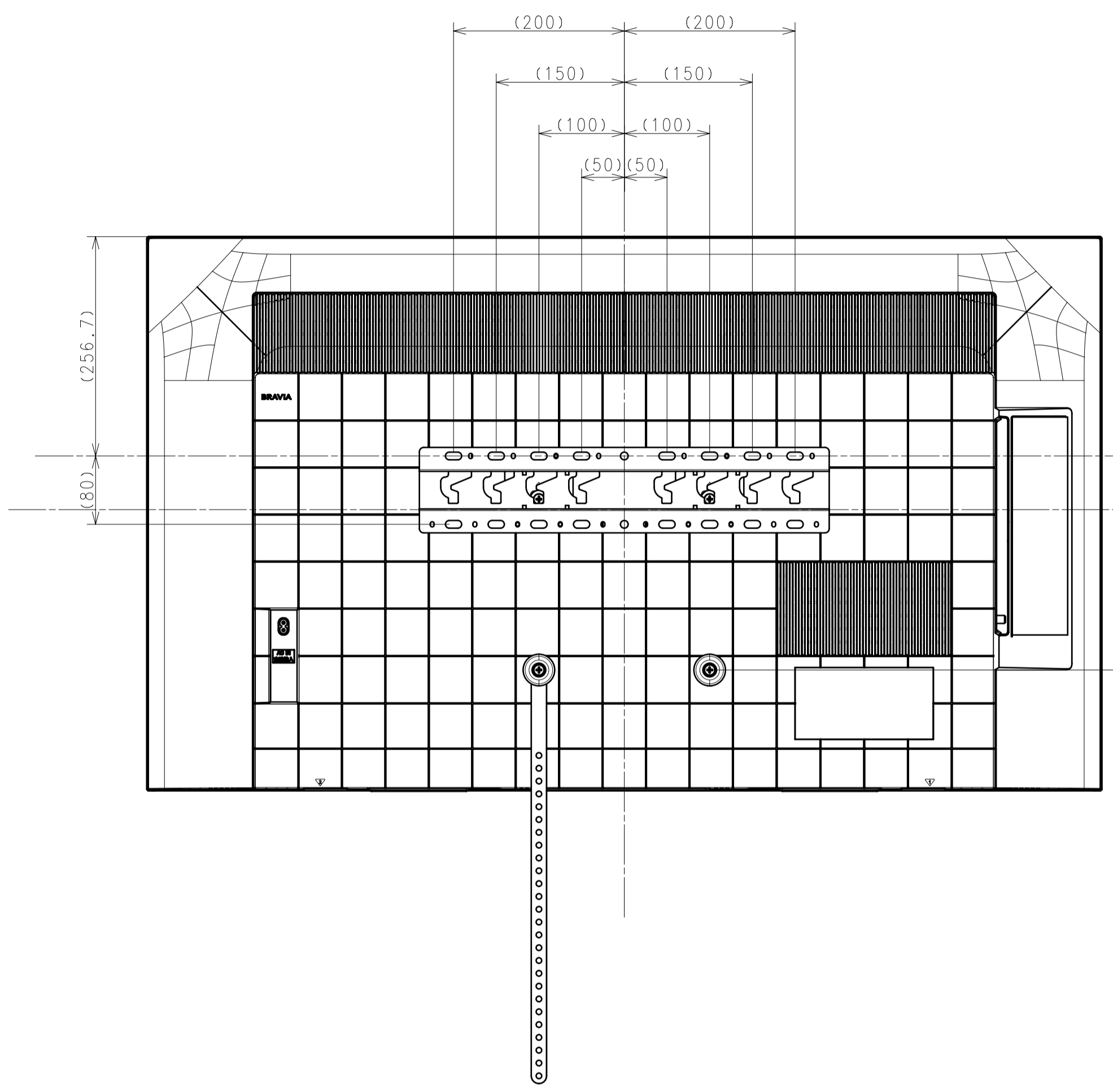


DESCRIPTION 1	LEGAL OWNER	SCALE
50(S30) EXTERIOR VIEW	Sony Corporation	1:5
DESCRIPTION 2	PART NO.	SHEET/PAGES
50(S30) EXTERIOR VIEW		2 / 3

SU-WL450

STANDARD

SLIM



SONY STANDARD

DESCRIPTION 1	LEGAL OWNER	SCALE
50(S30) EXTERIOR VIEW	Sony Corporation	1:5
DESCRIPTION 2	PART NO.	SHEET/PAGES
50(S30) EXTERIOR VIEW		3 / 3