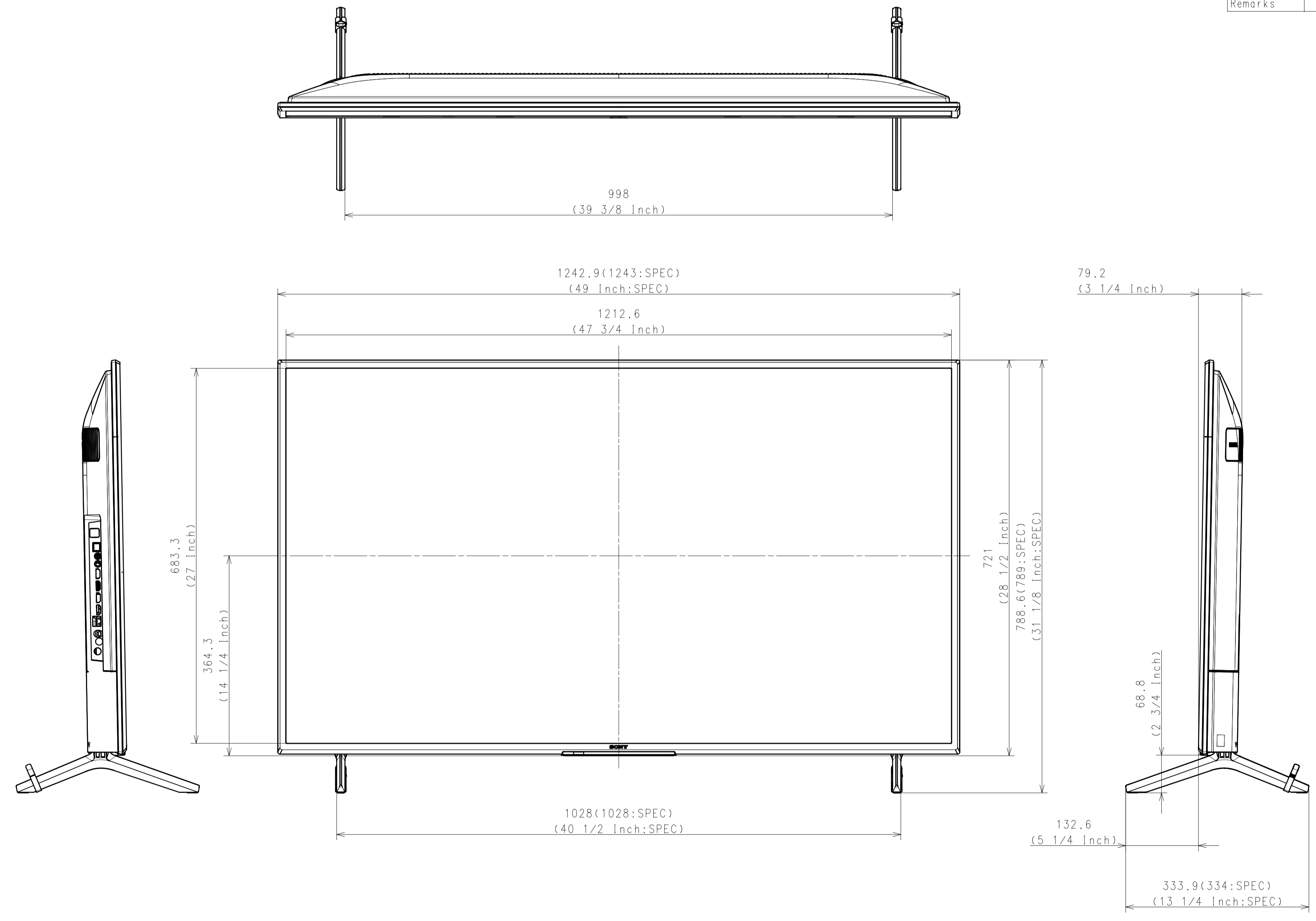
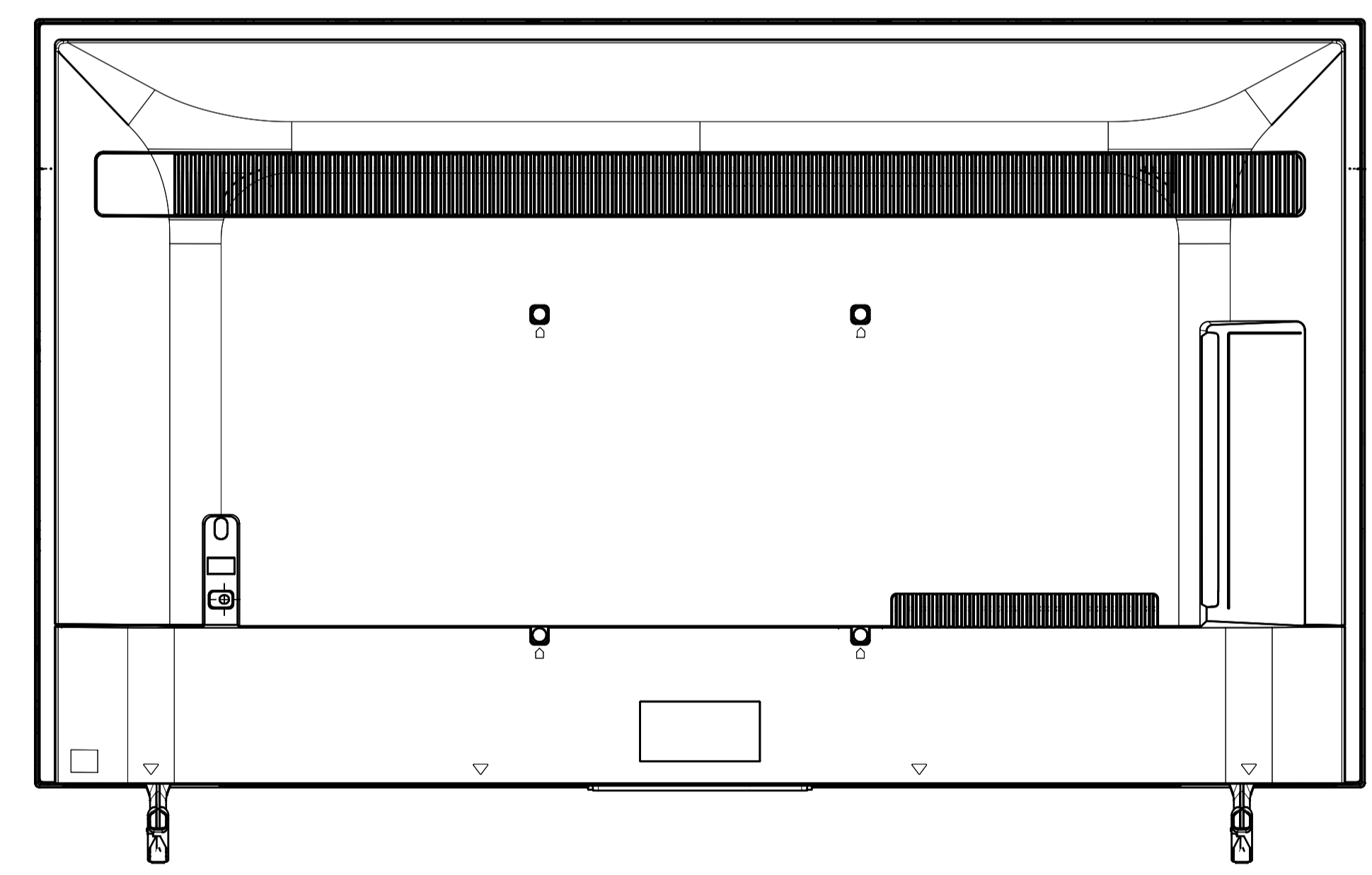


WITH STAND



Area	NORTH AMERICA	LATIN AMERICA	GENERAL AREA	
Model Name	KD-55X77L	KD-55X77L	KD-55X77L	
SV No.	SV-41378	SV-41394	SV-41435	
DIMENSION	TV only (W x H x D)	1243 x 721 x 71 mm / 49 x 28 1/2 x 2 7/8 inch	1243 x 721 x 71 mm	Approx. 1243 x 721 x 71 mm
	TV only with camera (W x H x D)	-	-	-
	TV with Stand (Standard position) (W x H x D)	1243 x 789 x 334 mm / 49 x 31 1/8 x 13 1/4 inch	1243 x 789 x 334 mm	Approx. 1243 x 789 x 334 mm
	TV with Stand (Narrow position) (W x H x D)	-	-	-
	TV with Stand (Soundbar position) (W x H x D)	-	-	-
	TV with Stand (Front position style) (W x H x D)	-	-	-
	TV with Stand (Back position style) (W x H x D)	-	-	-
	TV with Floor Stand (W x H x D)	-	-	-
	Stand Width (Standard position)	1028 mm / 40 1/2 inch	1028 mm	Approx. 1028 mm
	Stand Width (Narrow position)	-	-	-
	Stand Width (Soundbar position)	-	-	-
	Stand Width (Front position style)	-	-	-
	Stand Width (Back position style)	-	-	-
Floor Stand Width	-	-	-	
VESA Hole Pitch	300 x 300 mm / 11 7/8 x 11 7/8 inch	300 x 300 mm	300 x 300 mm	
WEIGHT	TV Only	15.3 kg / 33.8 lb	15.3 kg	Approx. 15.3 kg
	TV with Stand (Standard position)	15.6 kg / 34.4 lb	15.6 kg	Approx. 15.6 kg
	TV with Stand (Narrow position)	-	-	-
	TV with Stand (Soundbar position)	-	-	-
	TV with Stand (Front/Back position style)	-	-	-
	TV with Floor Stand	-	-	-
Floor Stand weight (Supply)	-	-	-	
W-M't Br. Weight (Supply)	-	-	-	
Remarks				



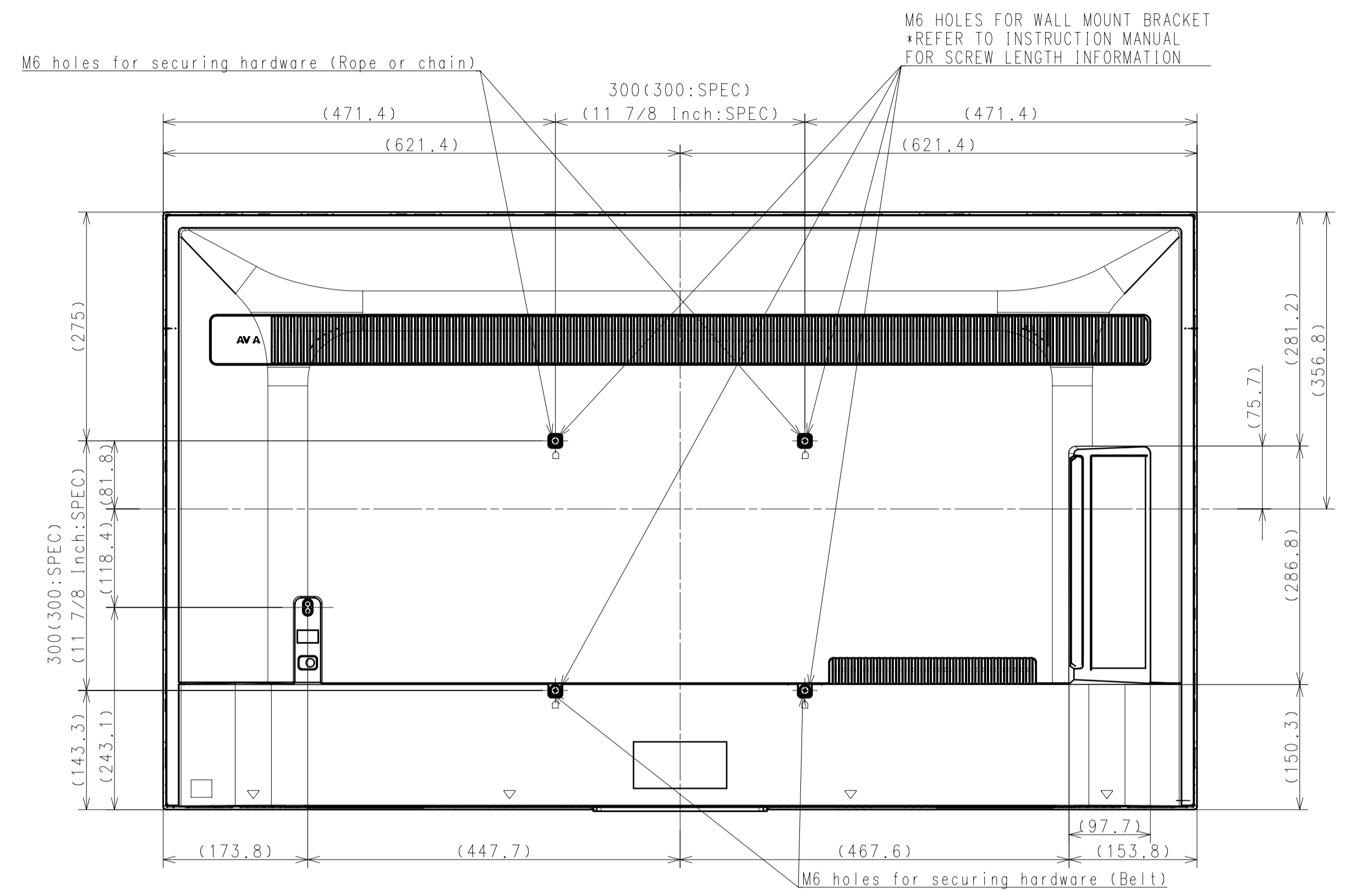
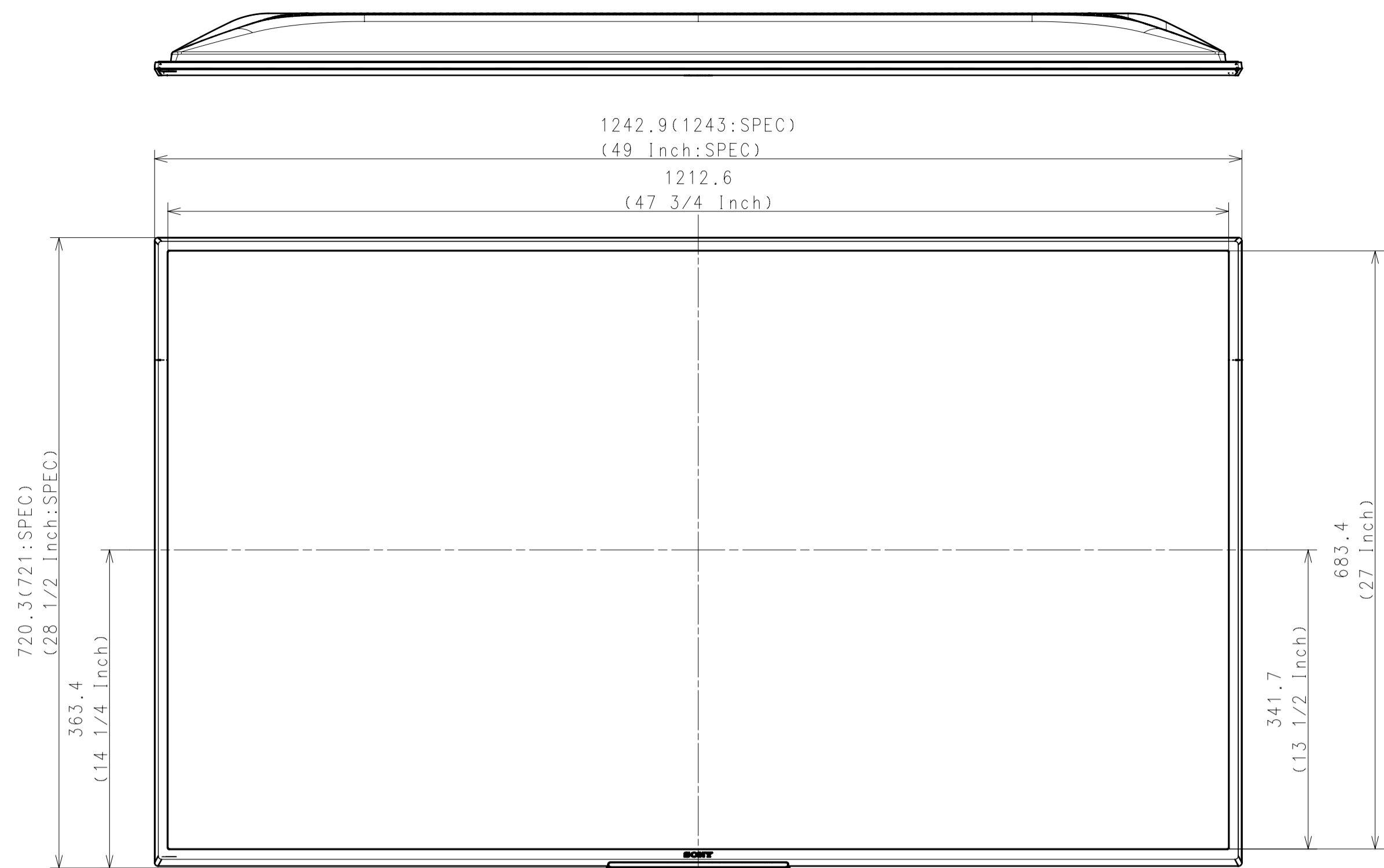
Purchase recycled resins and wire rods only from the business partners that Sony approves as Green Partners.
再生樹脂・電線電纜はグリーンパートナー認定受入先から調達すること。

GENERAL TOLERANCE		FINISH COLOR	
△A	-----	-----	-----
△B	-----	-----	-----
△C	-----	-----	-----
△D	-----	-----	-----
△E	-----	-----	-----
△F	-----	-----	-----
△G	-----	-----	-----
△H	-----	-----	-----
△I	-----	-----	-----
△J	-----	-----	-----
△K	-----	-----	-----
△L	-----	-----	-----
△M	-----	-----	-----
△N	-----	-----	-----
△O	-----	-----	-----
△P	-----	-----	-----
△Q	-----	-----	-----
△R	-----	-----	-----
△S	-----	-----	-----
△T	-----	-----	-----
△U	-----	-----	-----
△V	-----	-----	-----
△W	-----	-----	-----
△X	-----	-----	-----
△Y	-----	-----	-----
△Z	-----	-----	-----

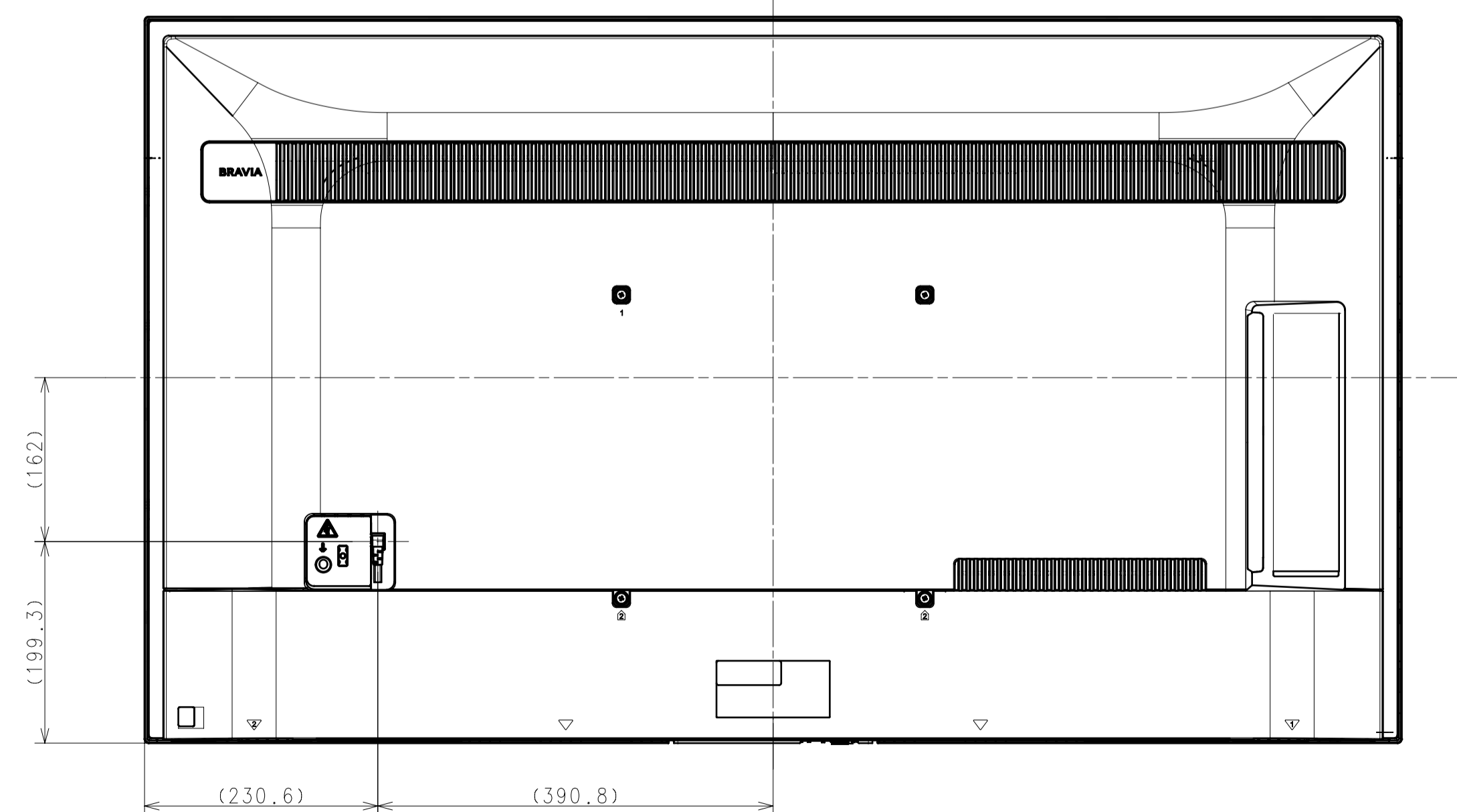
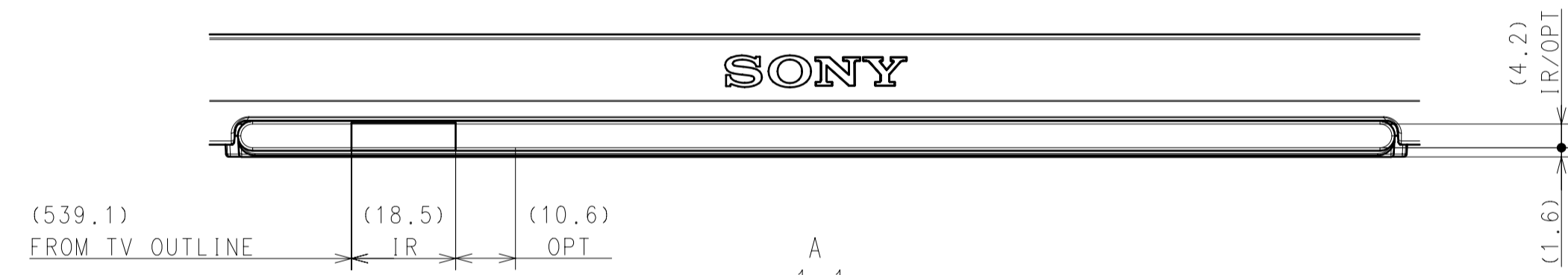
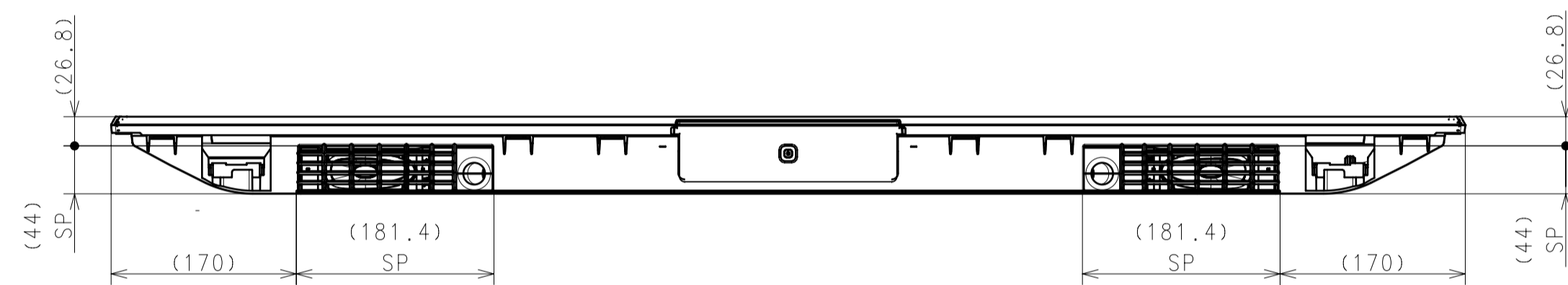
DATE	2022.12.21
DOCUMENT TYPE	ASSEMBLY DRAWING
TELEMARKETING	JIS B 0024(ISO 8015)

RESPONSIBLE DEPARTMENT	PANEL & MECHANICAL DESIGN	SIZE	A1	UNIT	mm	ORIGINAL MODEL	55(X77L) EXTERIOR VIEW
PLANNED BY	DESIGNED BY	SCALE	1:5	TENTATIVE MODEL	55(X77L) EXTERIOR VIEW		
DRAWN BY	CHECKED BY	APPROVED BY		TENTATIVE PART NO.			
				PART NO.			
				SHEET/PAGES	1/4		

WITHOUT STAND



For. NORTH AMERICA, GENERAL AREA

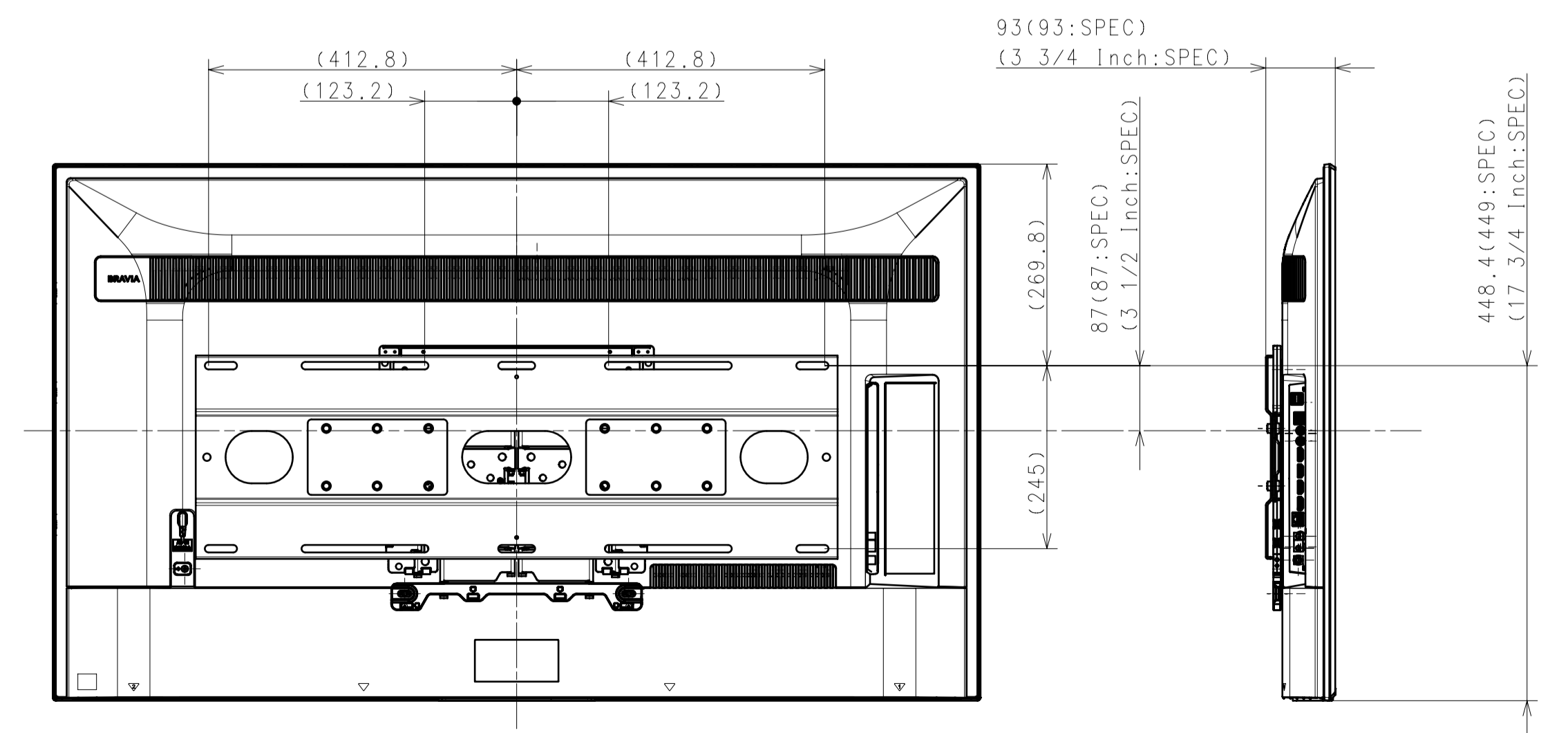
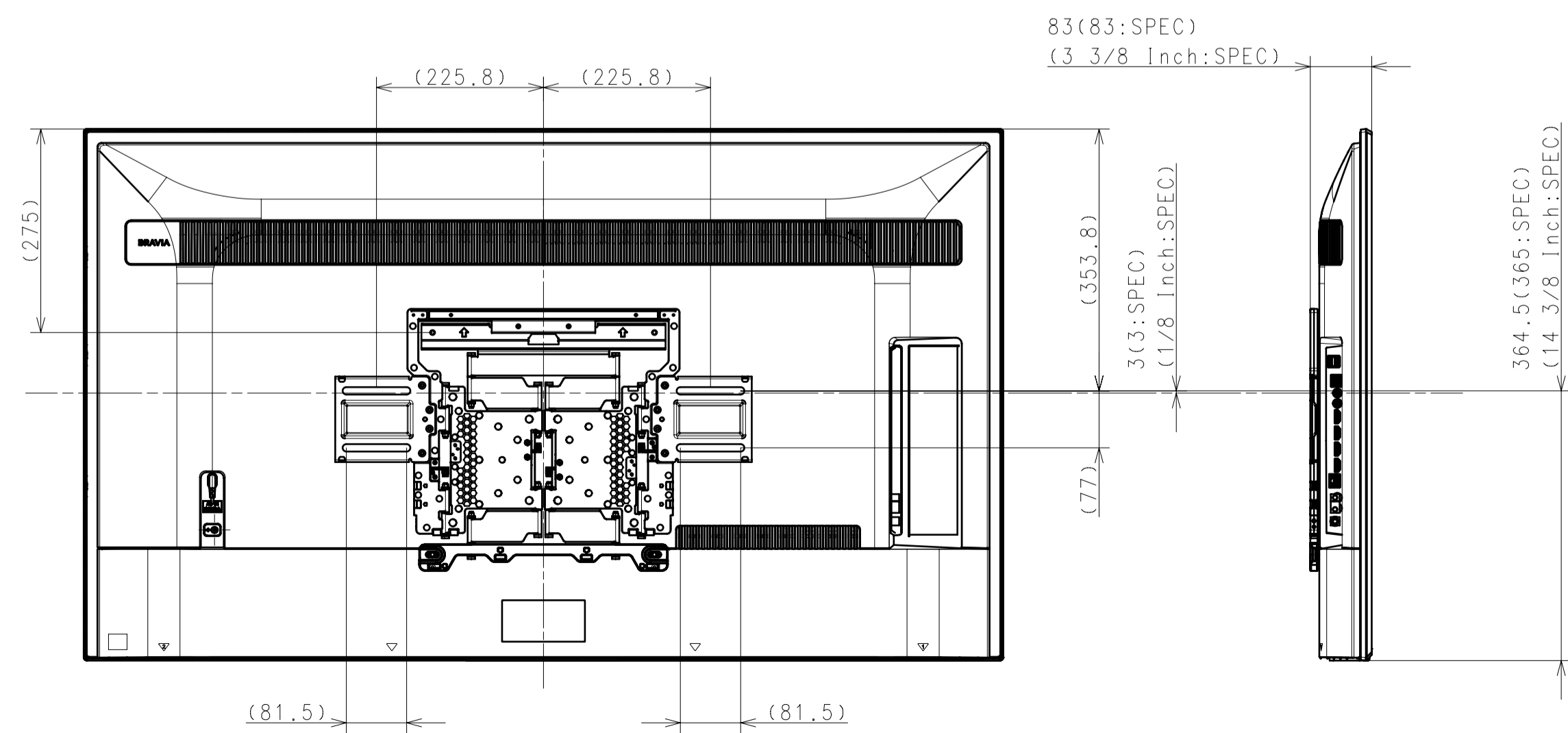
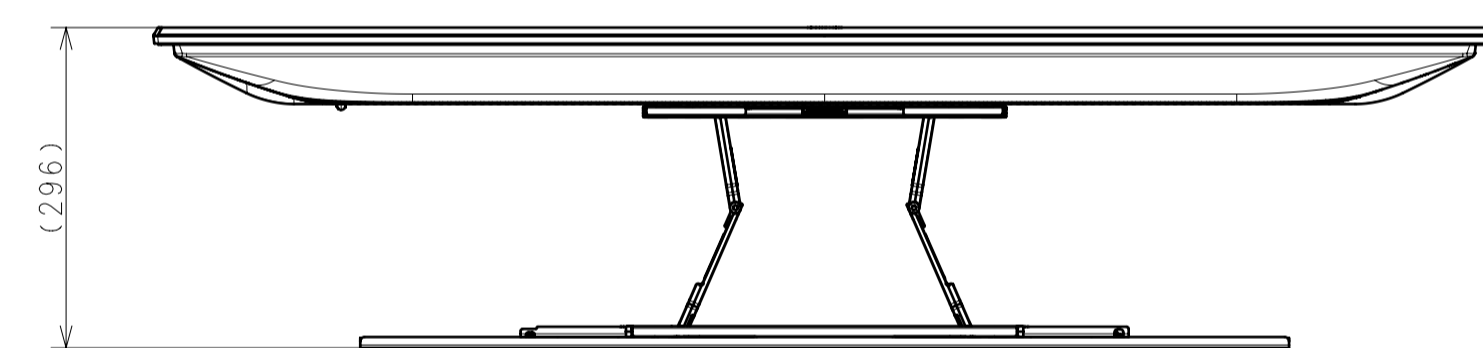
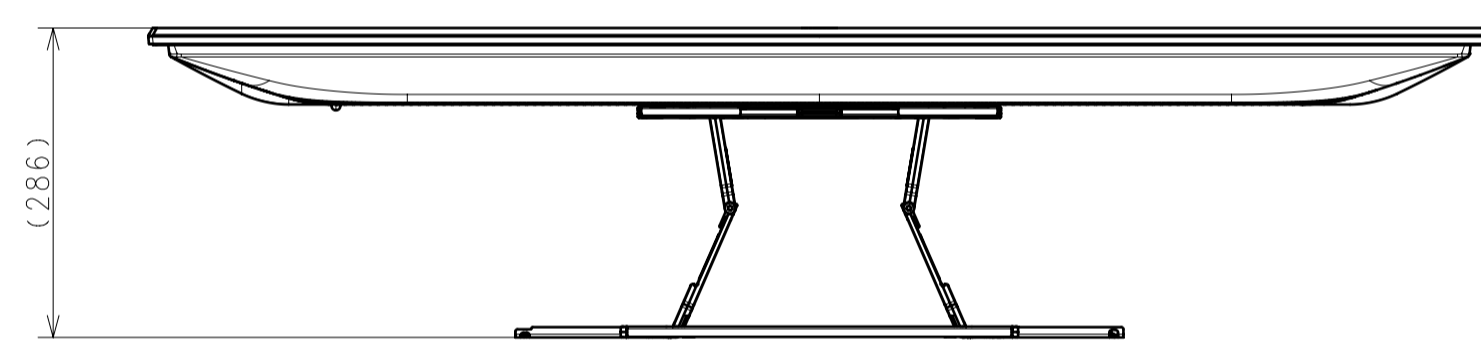
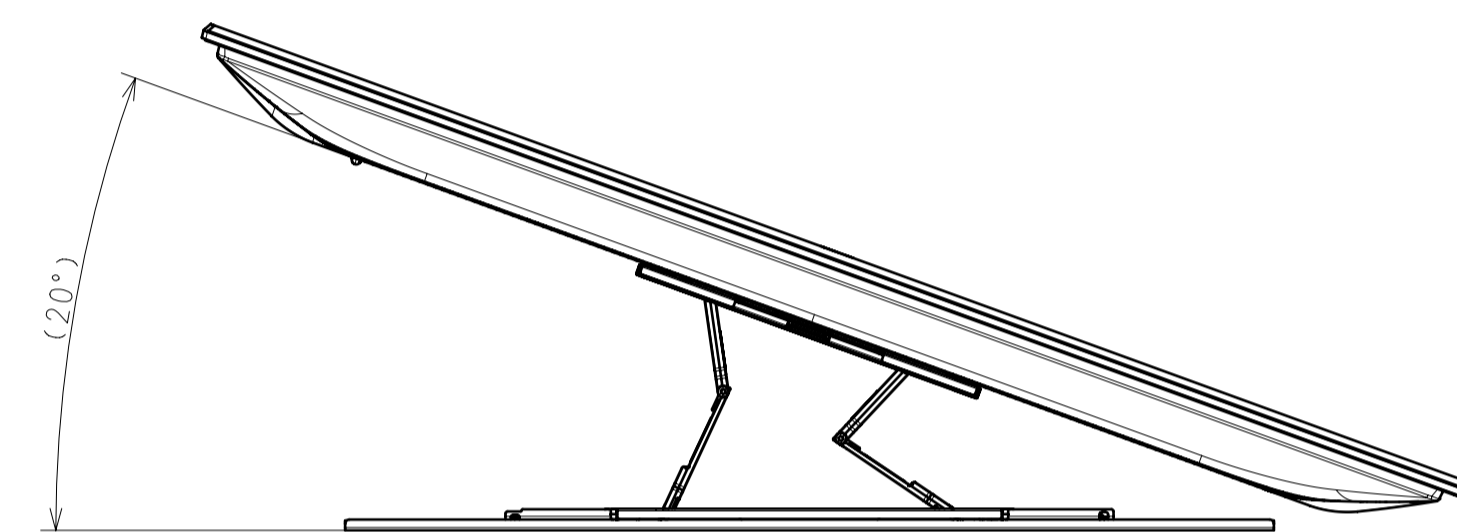
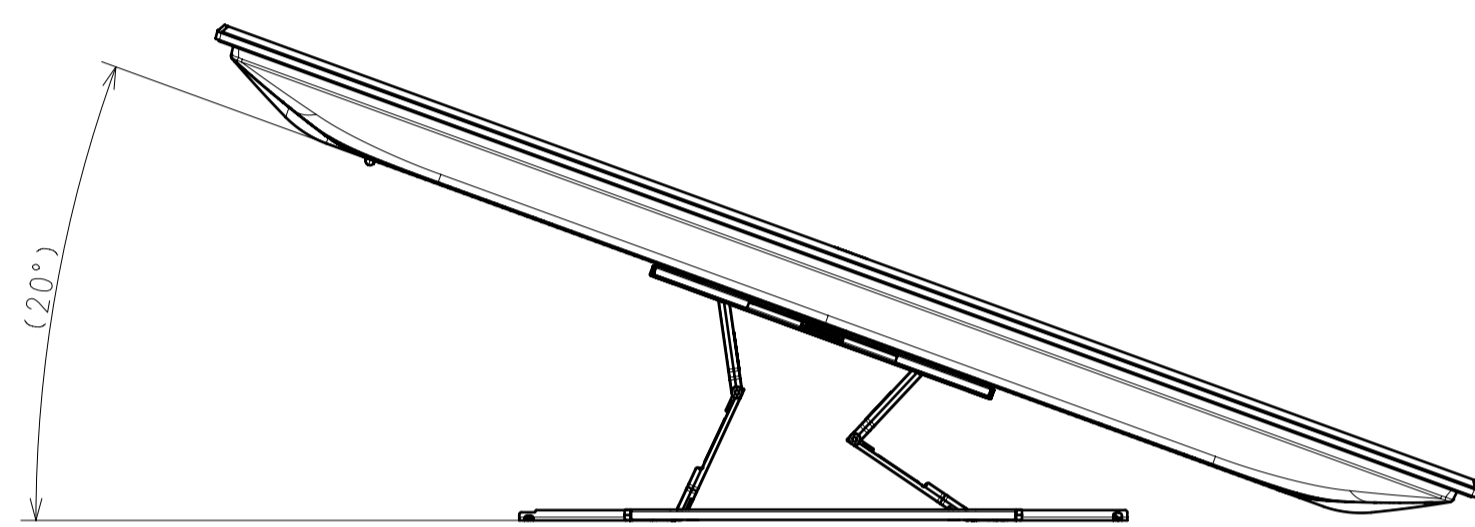
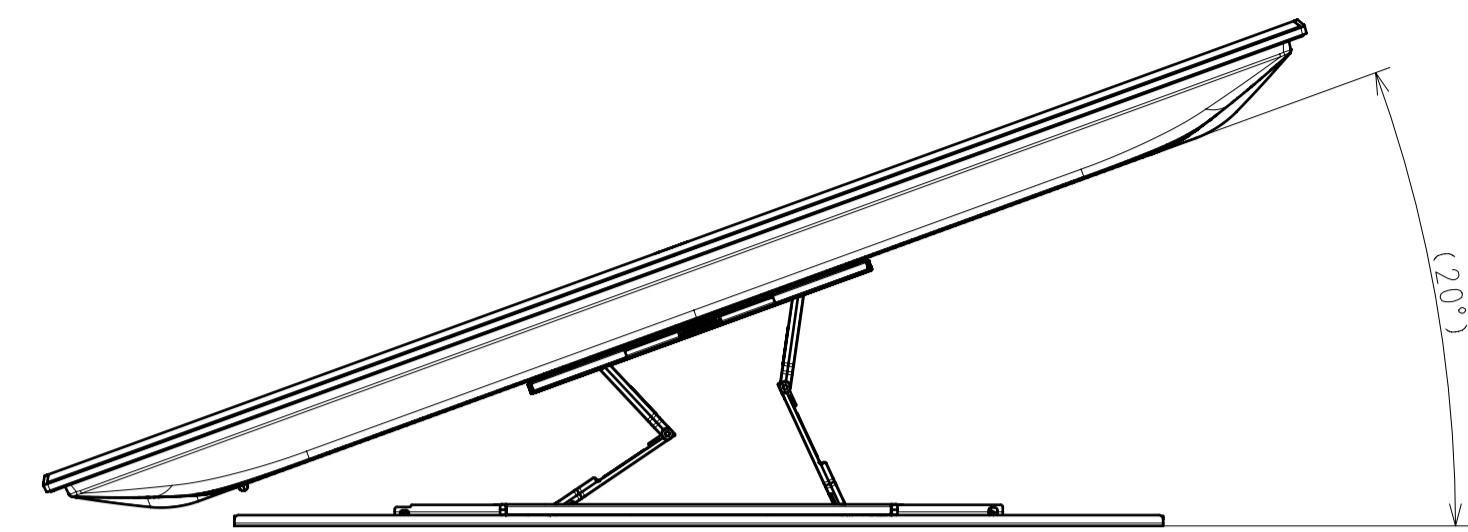
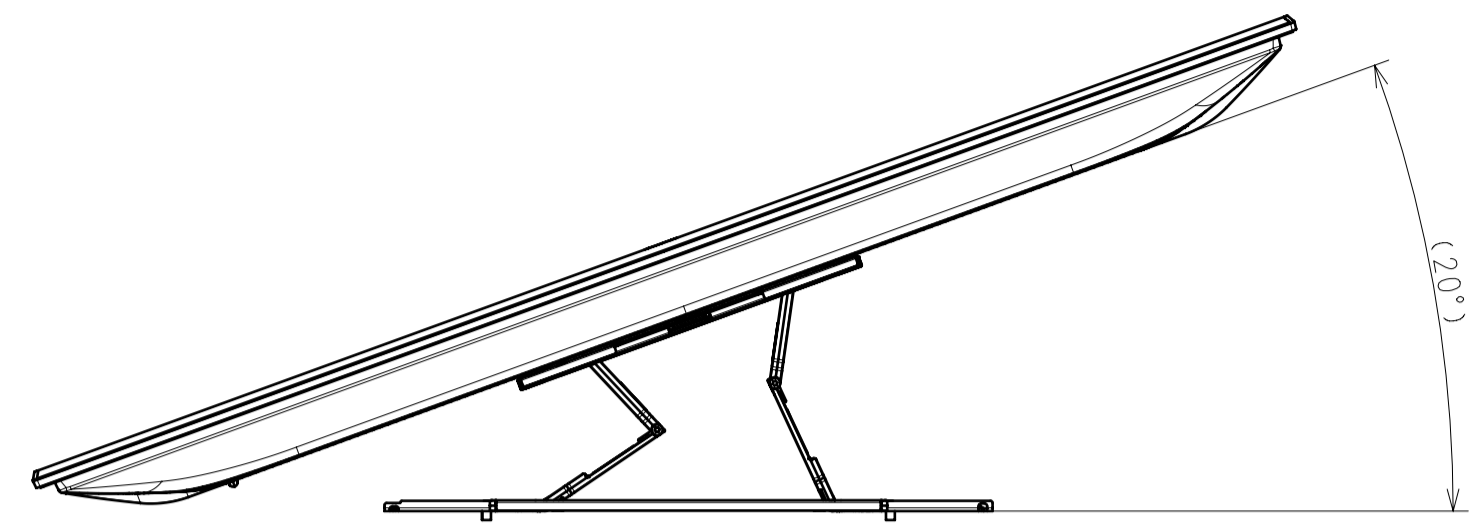


For. LATIN AMERICA

DESCRIPTION: 55(X77L) EXTERIOR VIEW	LEGAL OWNER: Sony Corporation	SCALE: 1:5
DESCRIPTION: 55(X77L) EXTERIOR VIEW	TENTATIVE PART NO.	SHEET/PAGES: 2 / 4

SU-WL 850

SU-WL 855 WITH LATERAL SHAFT BRACKET



DESCRIPTION 1	LEGAL OWNER	SCALE
55(X77L) EXTERIOR VIEW	Sony Corporation	1:7
DESCRIPTION 2	PART NO.	SHEET/PAGES
55(X77L) EXTERIOR VIEW		4 / 4