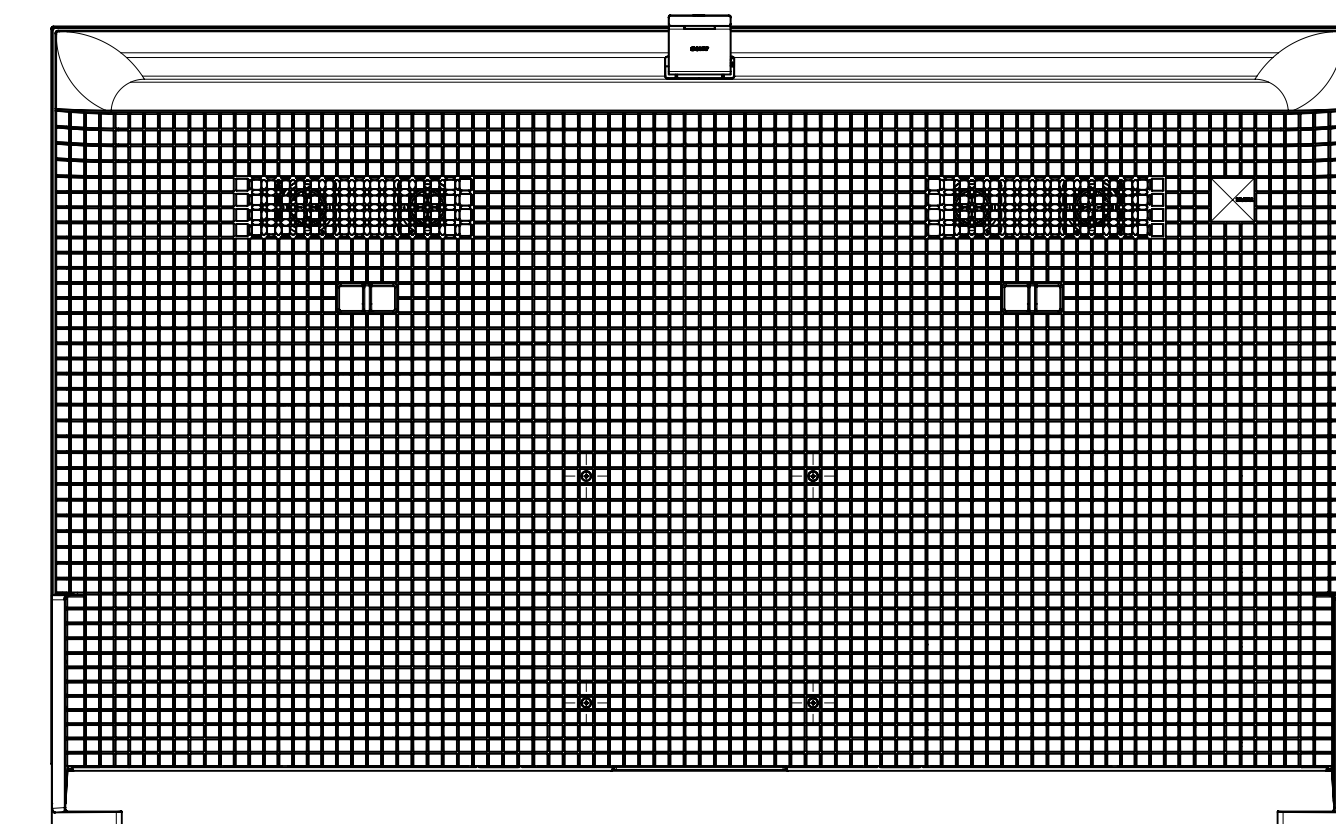
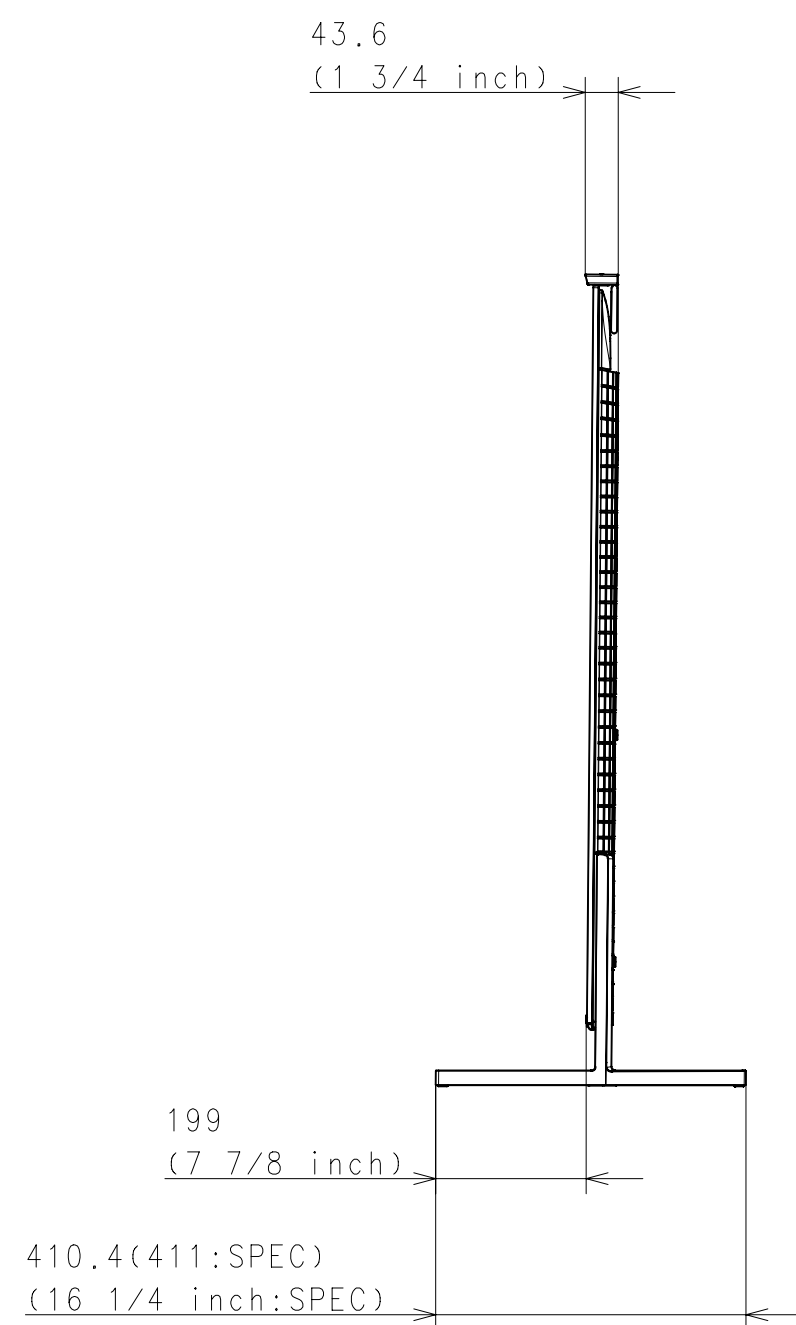
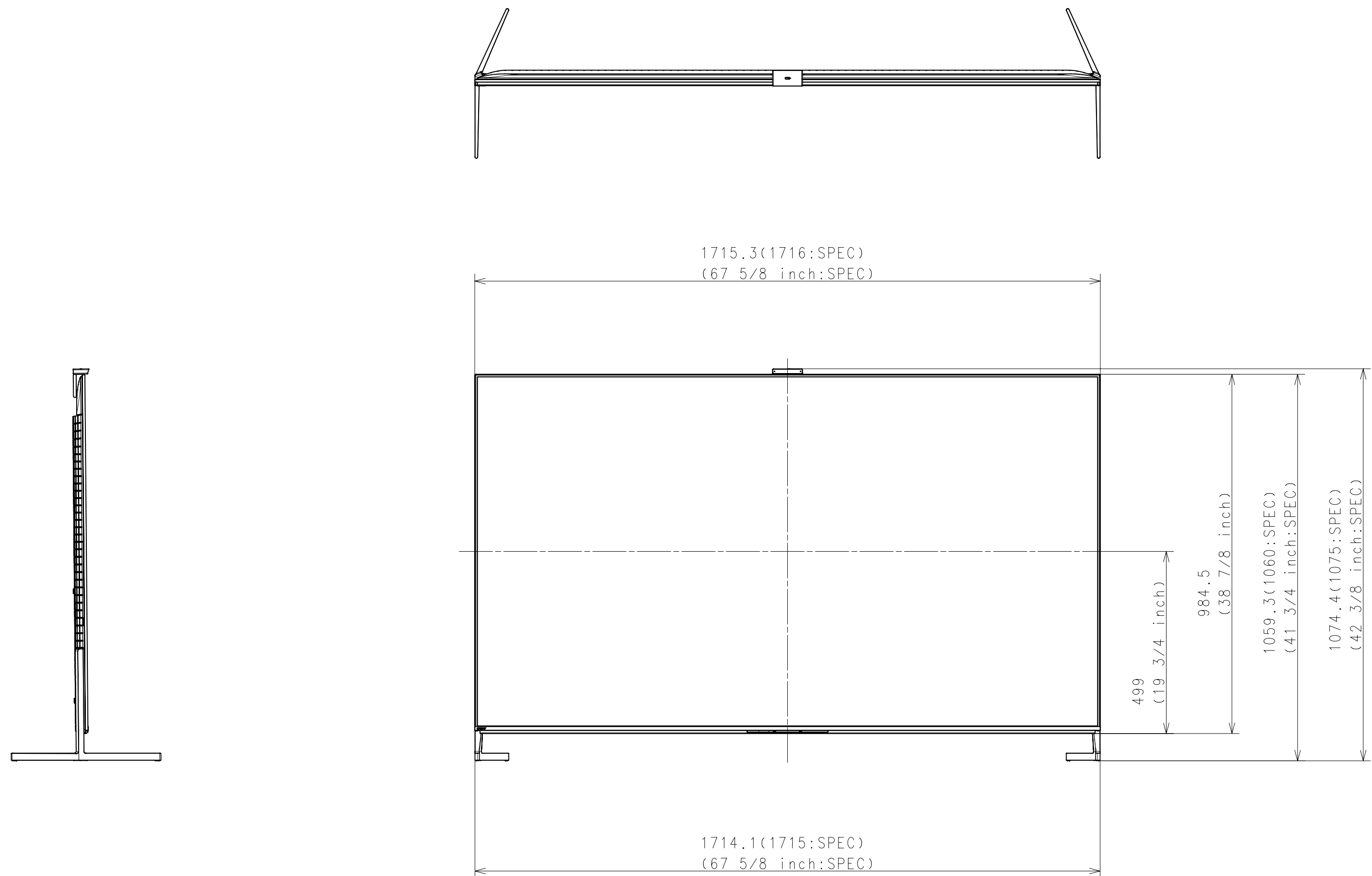
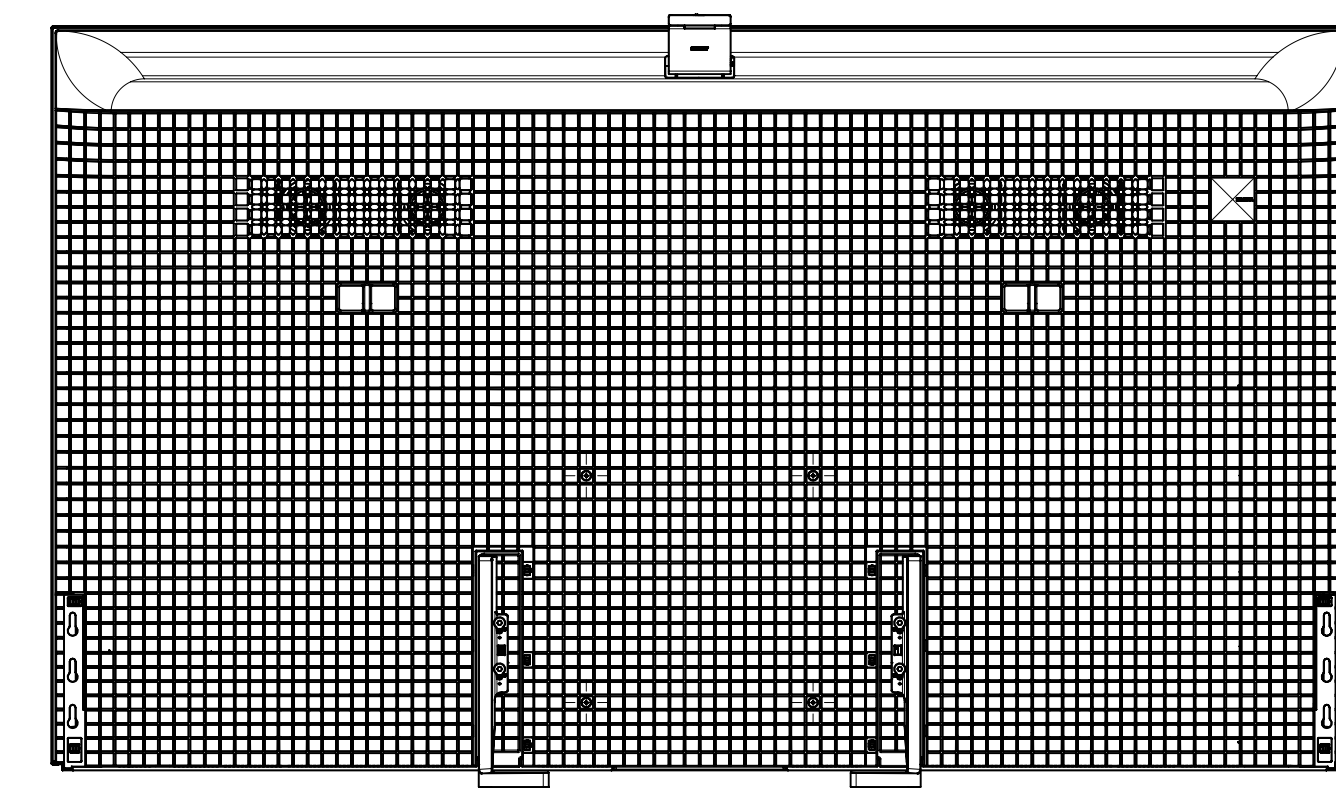
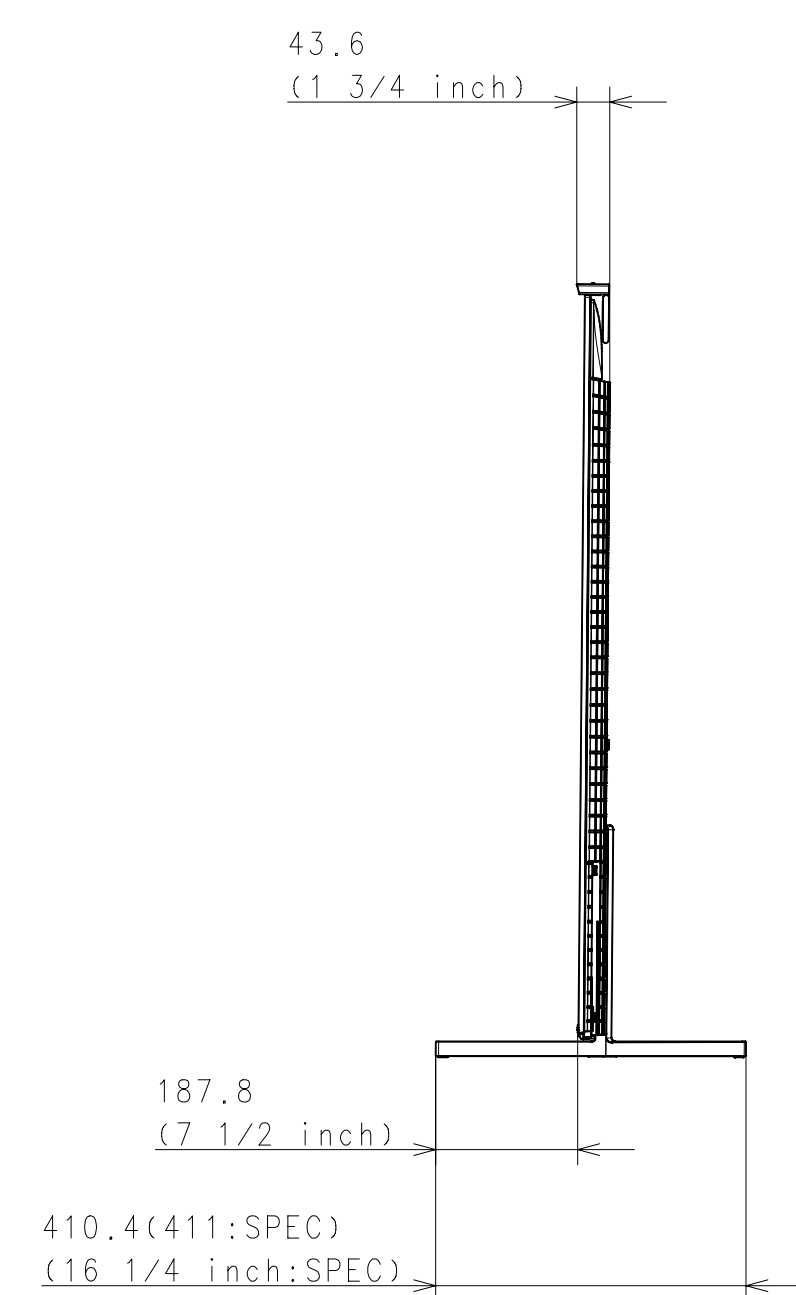
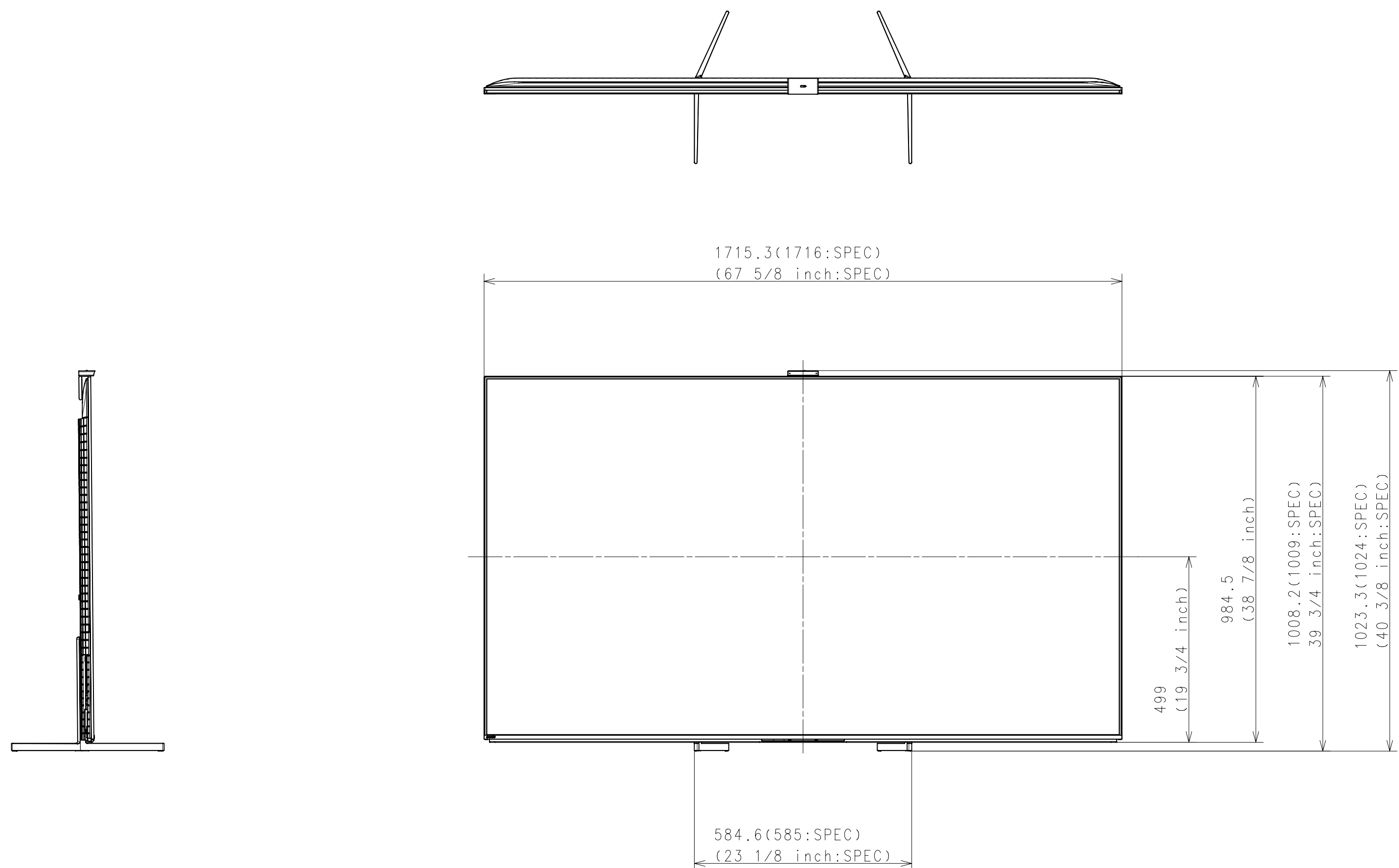


WITH STAND
SOUND BAR POSITION

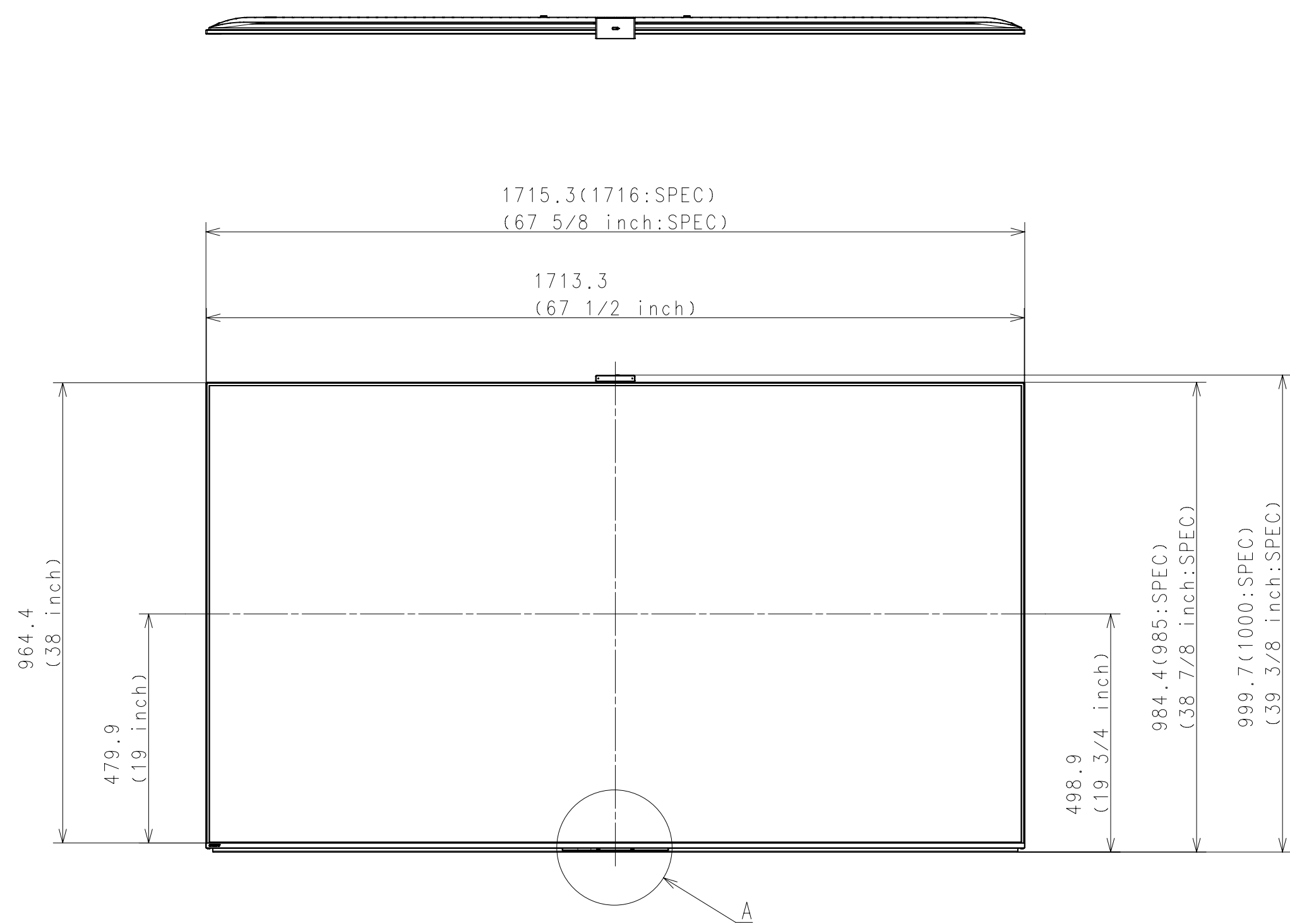


WITH STAND
NARROW POSITION

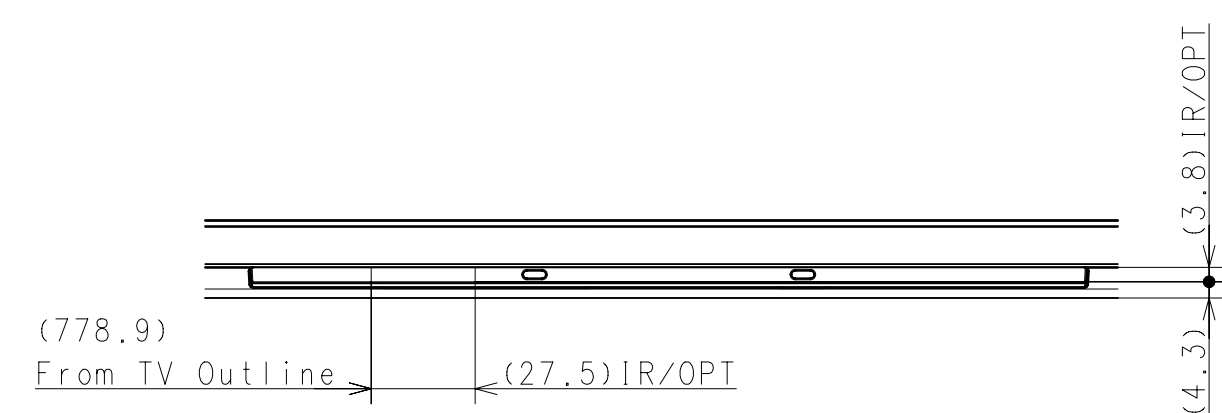
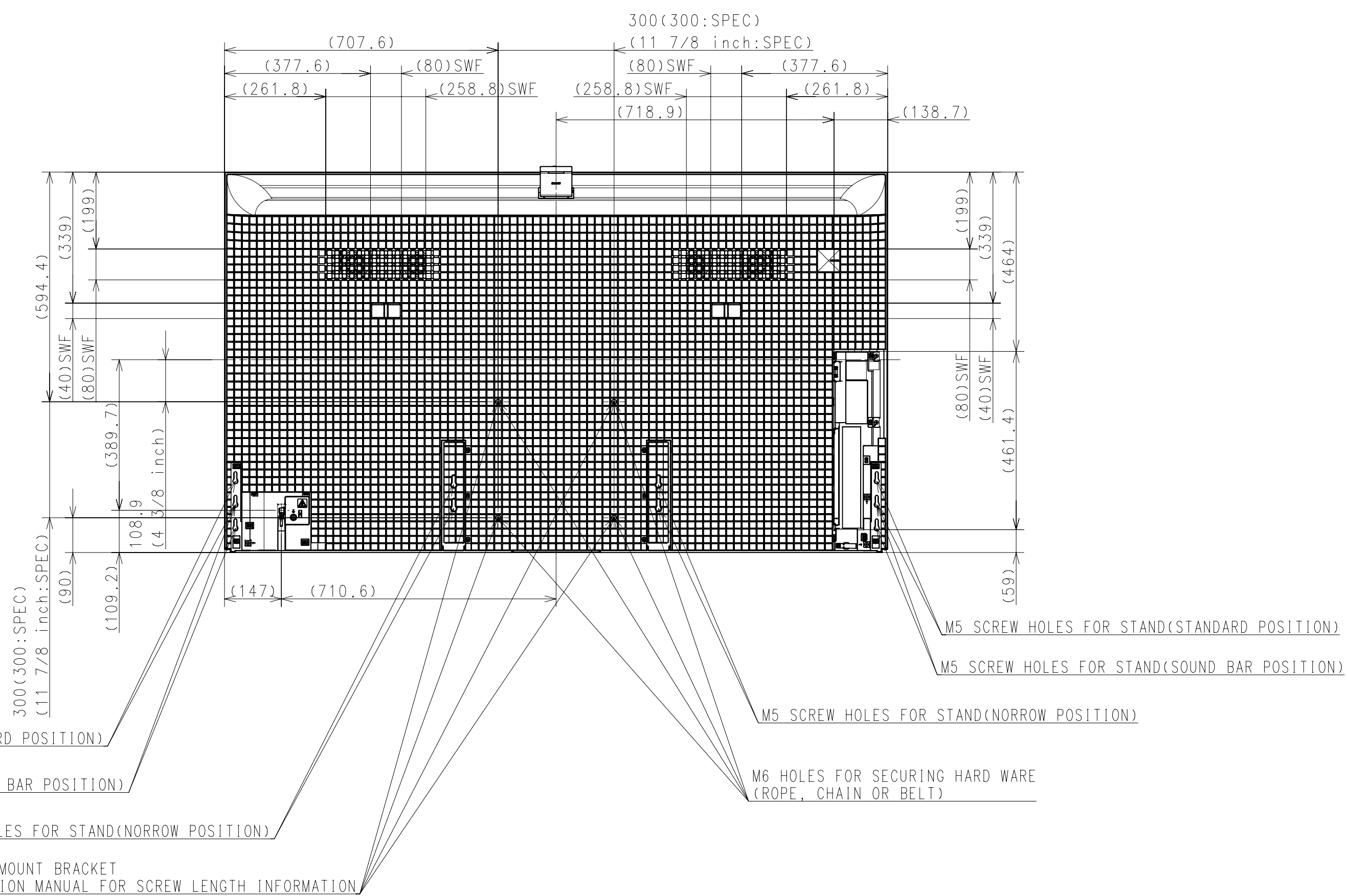
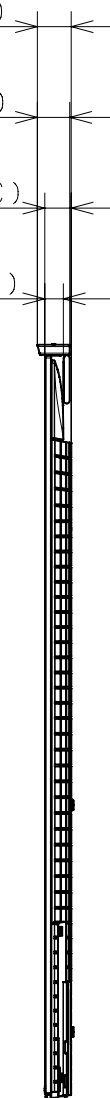


DESCRIPTION: 77(A95L) EXTERIOR VIEW	LEGAL OWNER: Sony Corporation	SCALE: 1:10
DESCRIPTION: 77(A95L) EXTERIOR VIEW	PART NO.:	SHEET/PAGES: 2 / 5

WITHOUT STAND



- 44.8(45:SPEC)
(1 13/16 inch:SPEC)
- 42.8(42.8:SPEC)
(1 11/16 inch:SPEC)
- 34.9(35:SPEC)
(1 7/16 inch:SPEC)
- 24.6(24.6:SPEC)
(31/32 inch:SPEC)

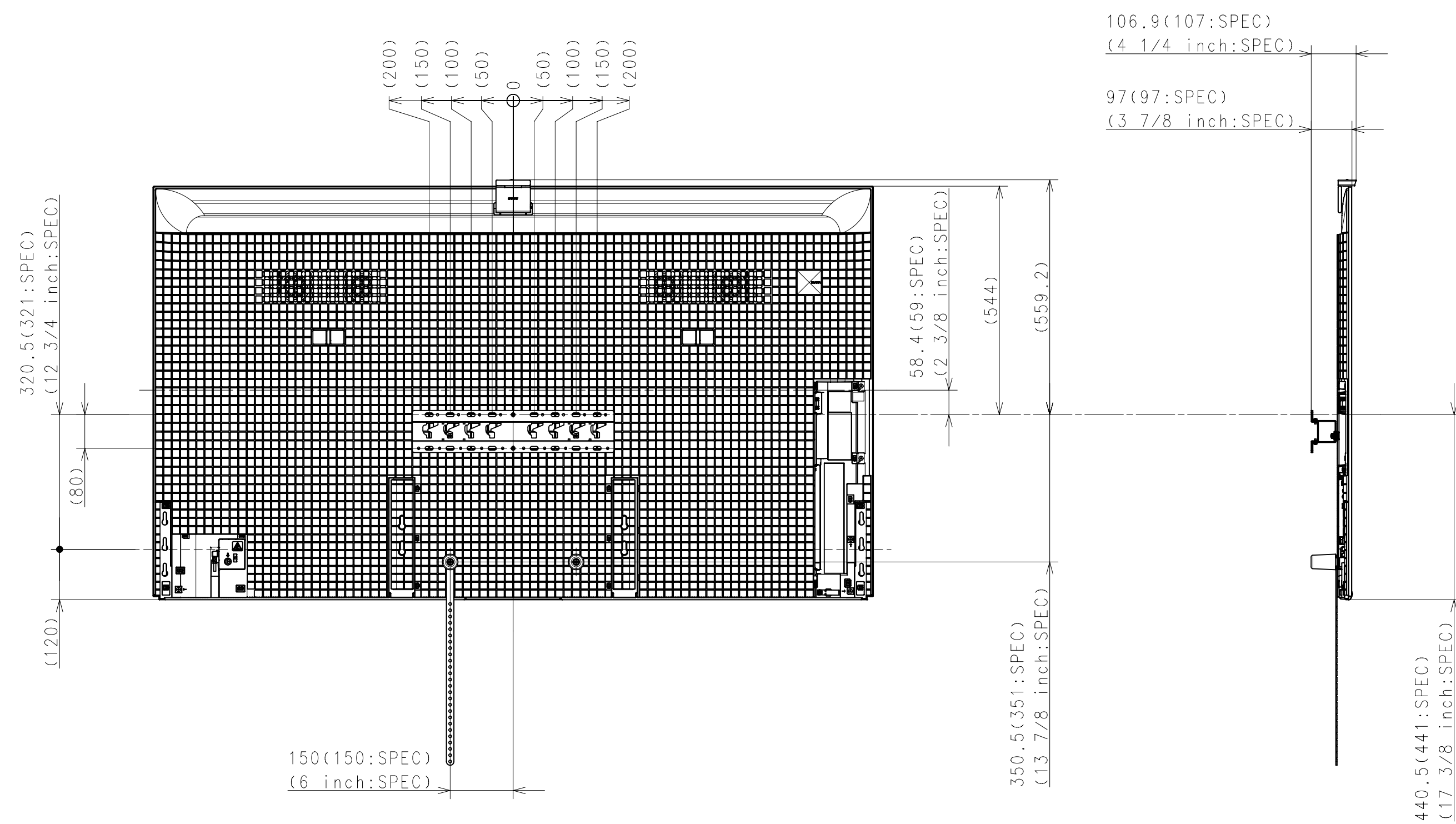
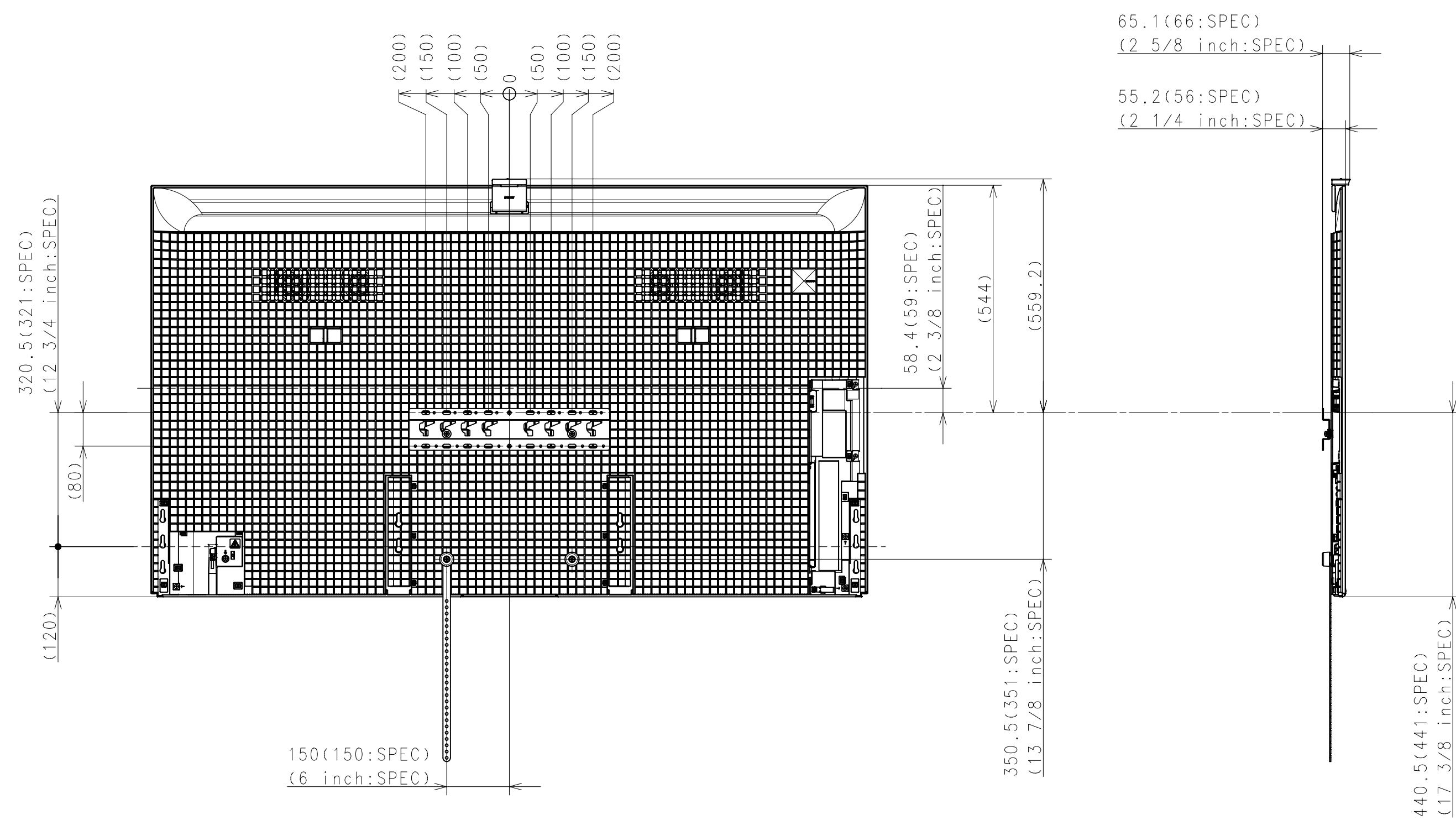


A
1:2

DESCRIPTION1 77(A95L) EXTERIOR VIEW	LEGAL OWNER Sony Corporation	SCALE 1:10
DESCRIPTION2 77(A95L) EXTERIOR VIEW	PART NO.	SHEET/PAGES 3 / 5

SU-WL450 SLIM

SU-WL450 STANDARD



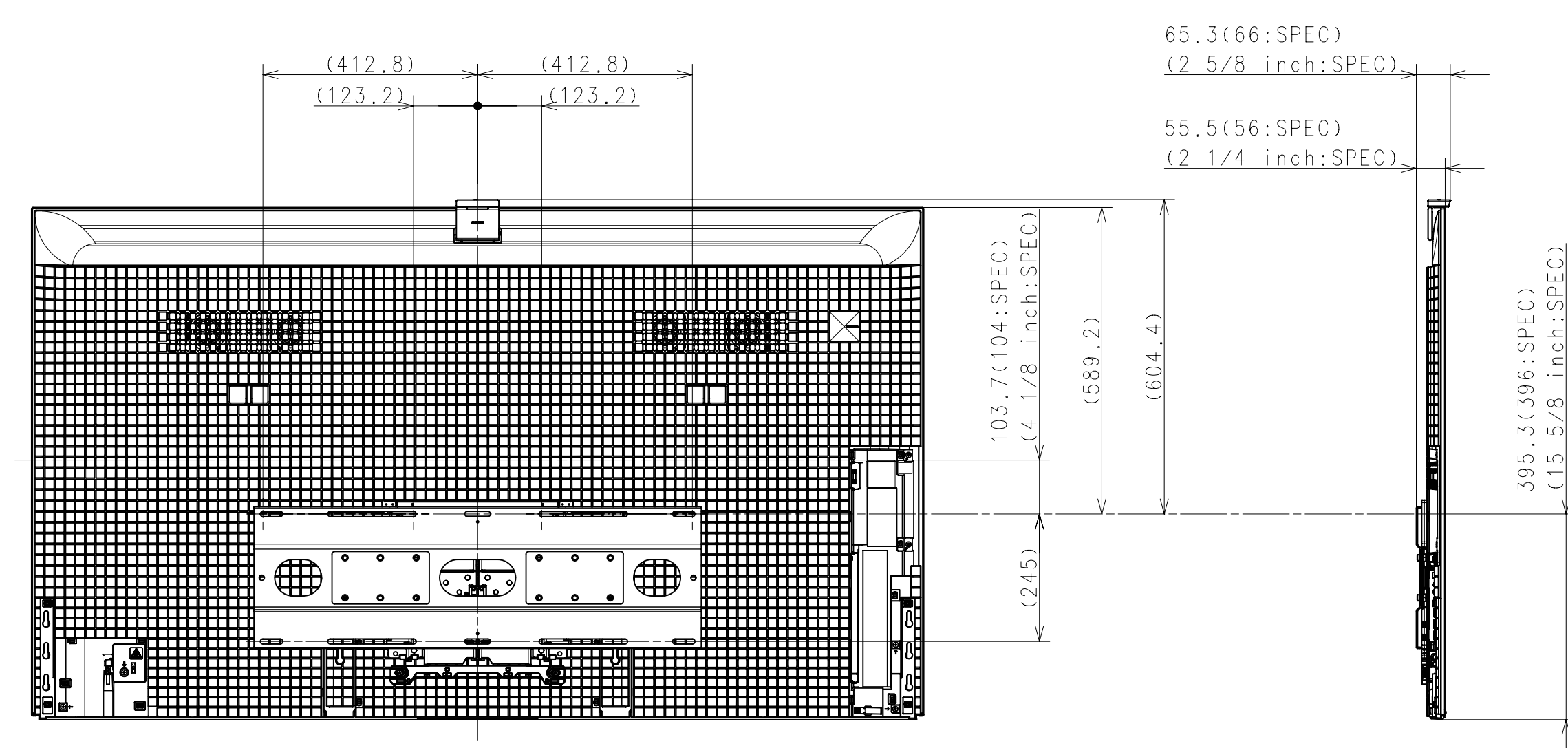
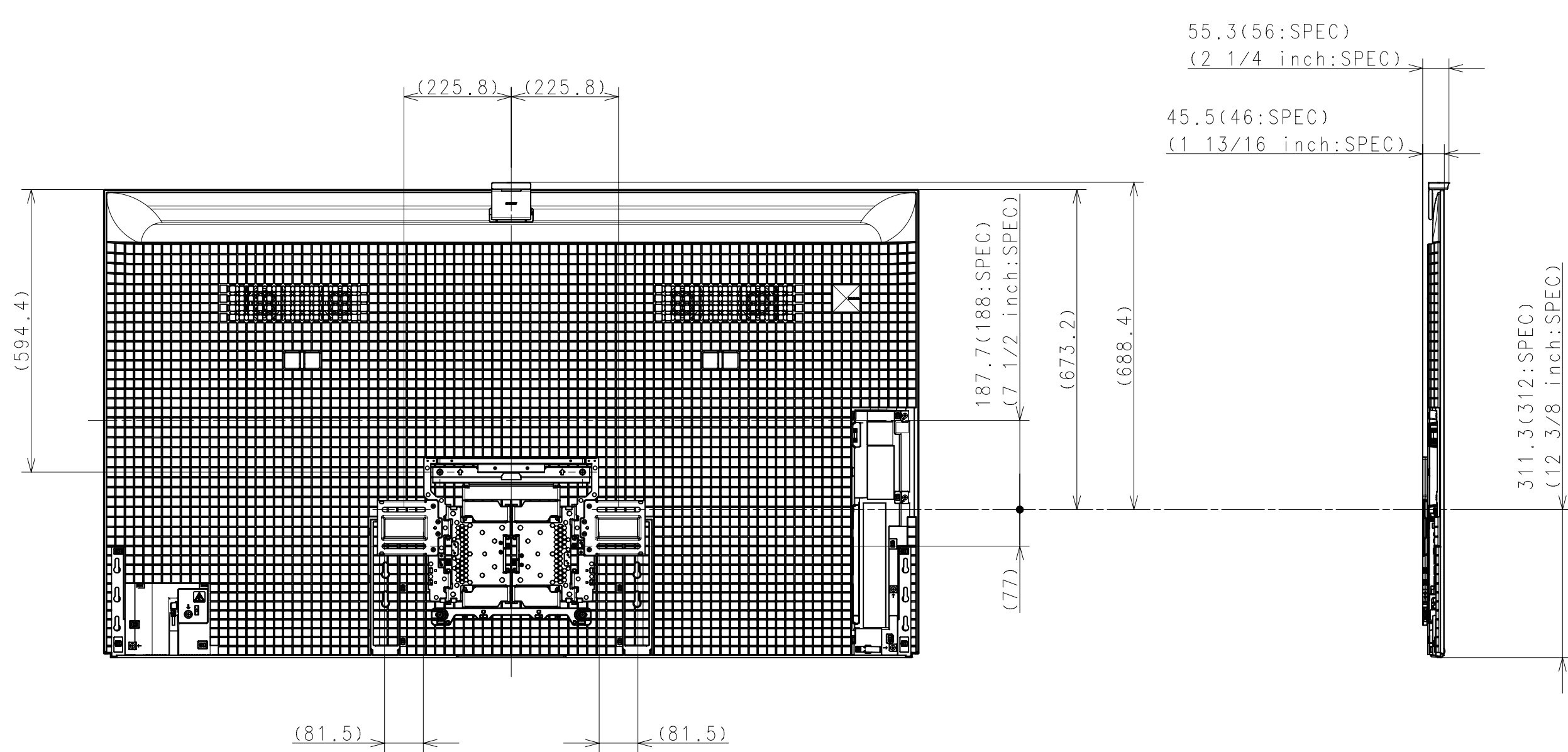
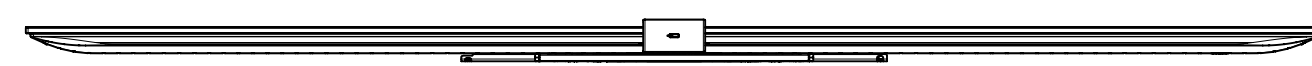
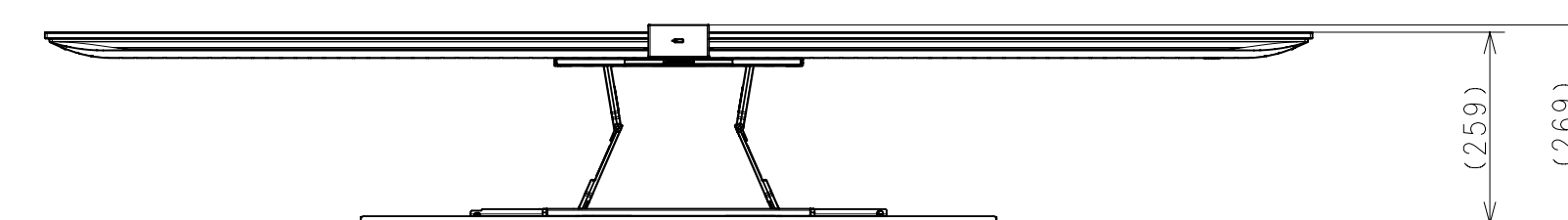
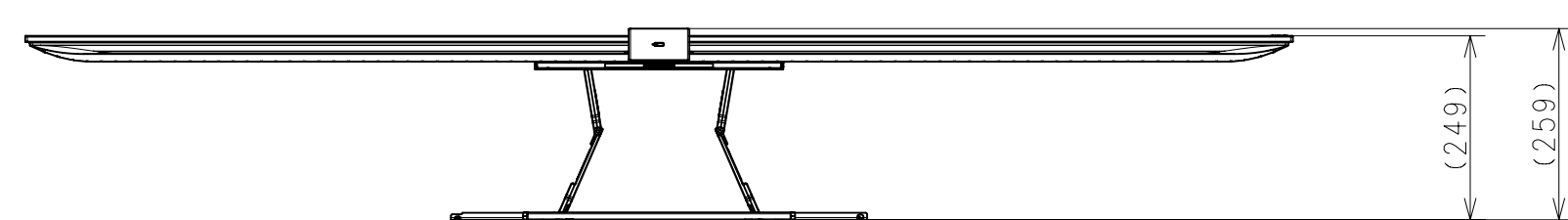
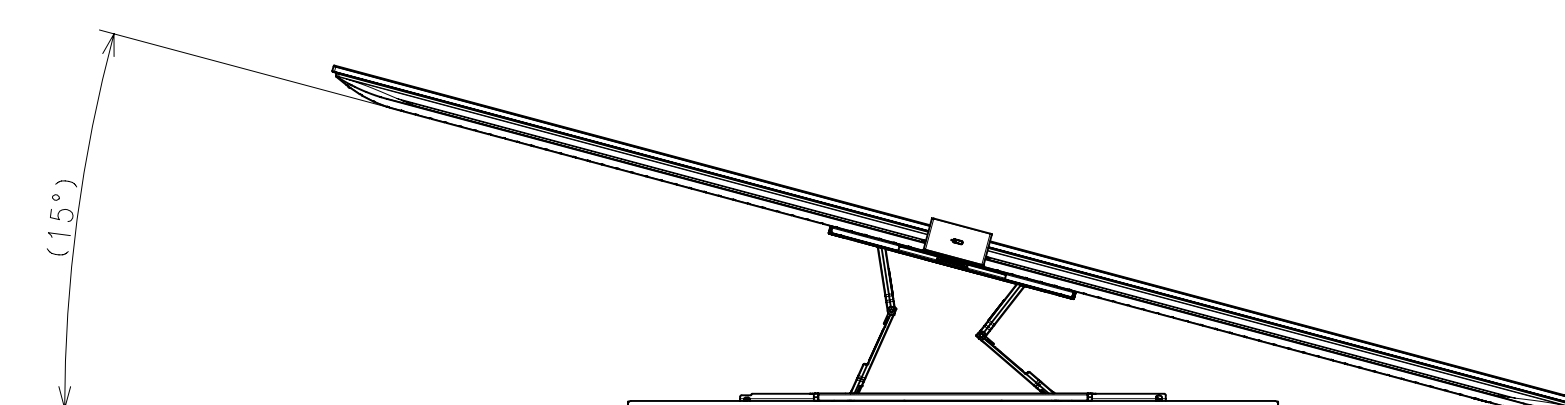
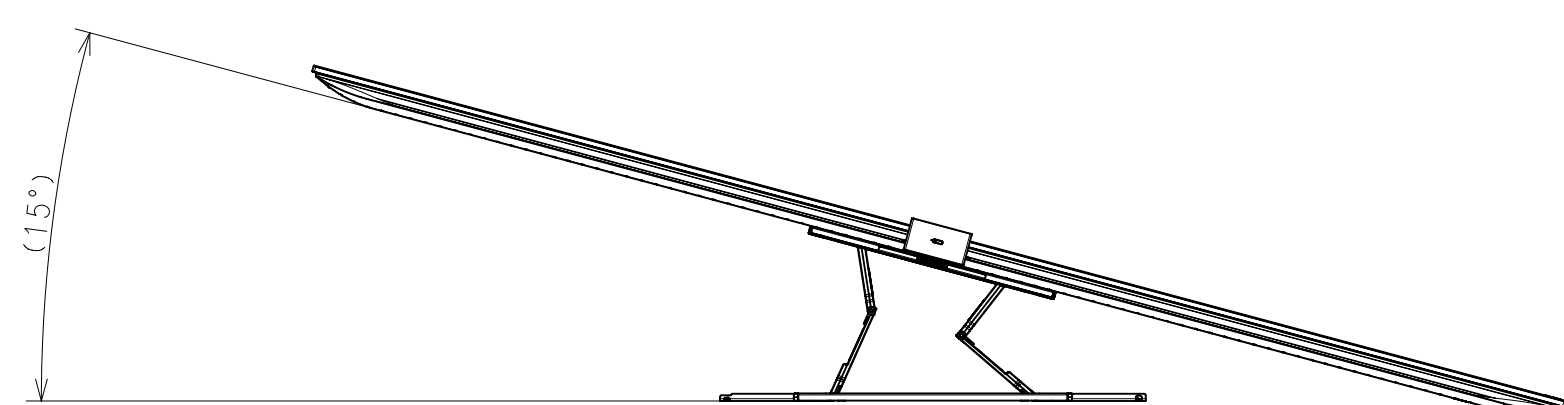
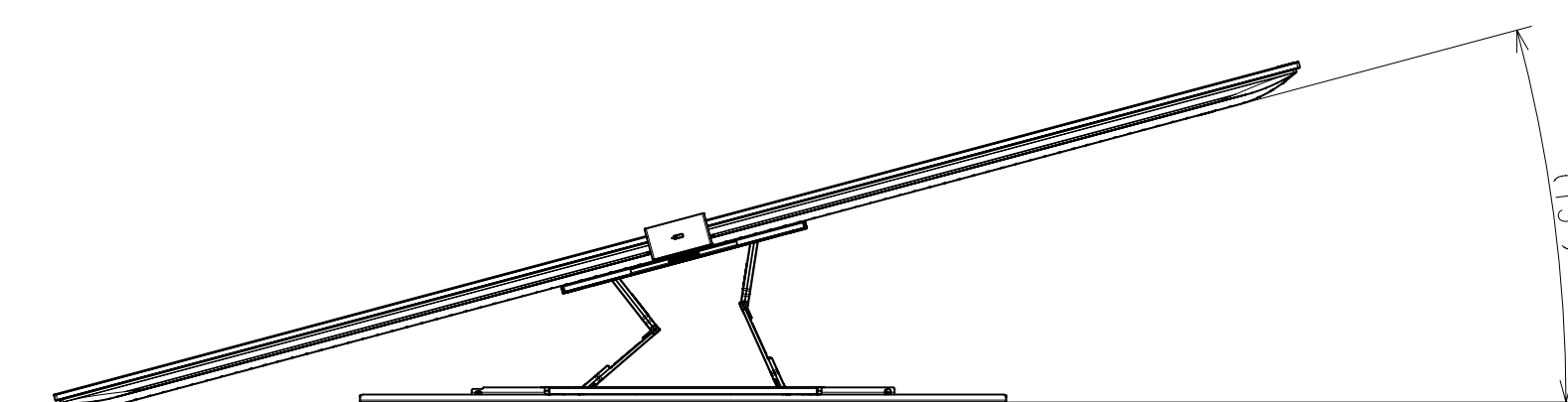
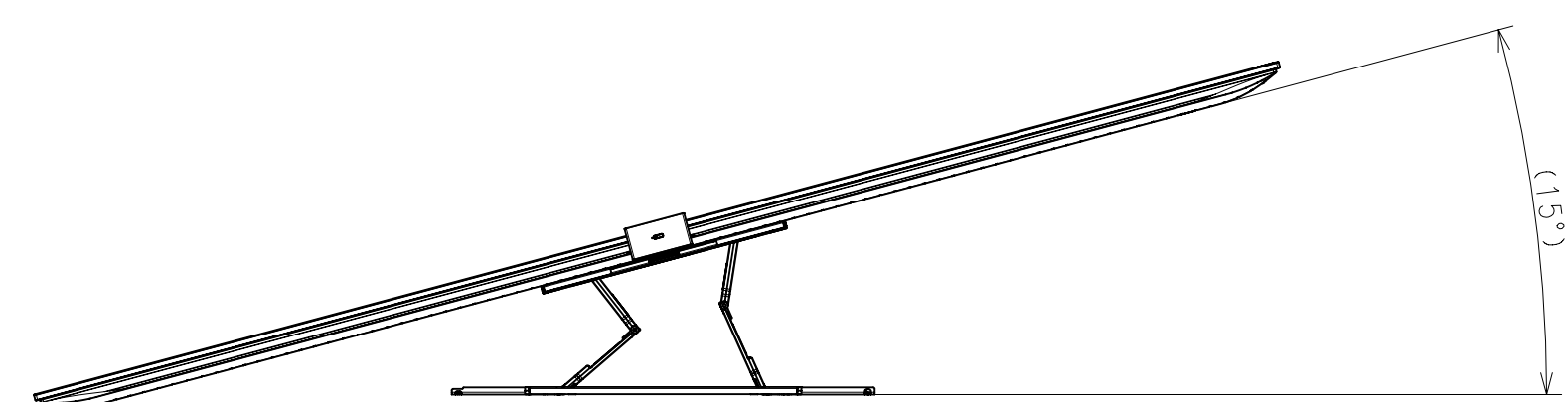
DRAWING

SONY STANDARD

DESCRIPTION	LEGAL OWNER	SCALE
77(A95L) EXTERIOR VIEW	Sony Corporation	1:1
DESCRIPTION	PART NO.	SHEET/PAGES
77(A95L) EXTERIOR VIEW		4 / 5

SU-WL850

SU-WL855 with LATERAL SHAFT BRACKET



DESCRIPTION 1	LEGAL OWNER	SCALE
77(A95L) EXTERIOR VIEW	Sony Corporation	1:1
DESCRIPTION 2	PART NO.	SHEET/PAGES
77(A95L) EXTERIOR VIEW		5 / 5