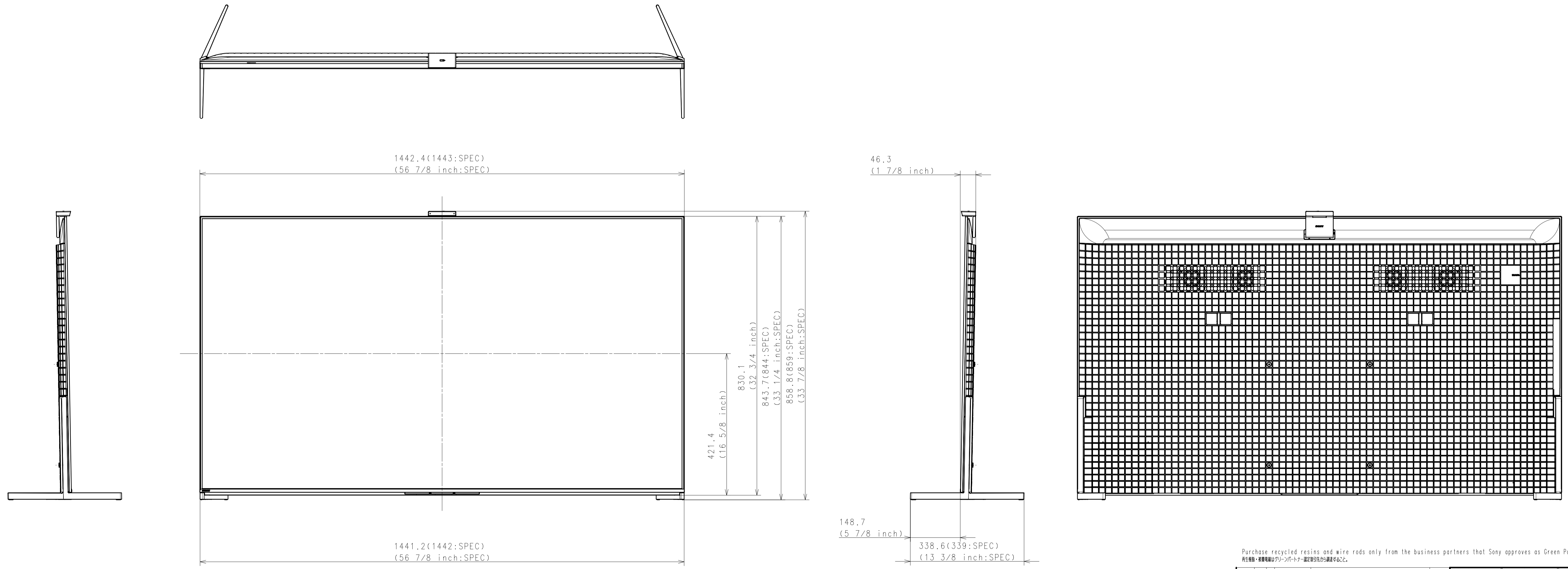


Area	JAPAN	NORTH AMERICA	EUROPE	GENERAL AREA	CHINA	
Model Name	XRJ-65A95L	XR-65A95L	XR-65A95L	XR-65A95L	XR-65A95L	
SV No.	SV-41549	SV-41389	SV-41539	SV-41450	SV-41507	
DIMENSION	TV only (W x H x D)	144.3 x 83.0 x 3.4 (2.26) cm	1443 x 830 x 34 (22.6) mm / 56 7/8 x 32 3/4 x 1 3/8 (29/32) inch	Approx. 144.3 x 83.0 x 3.4 (2.26) cm	Approx. 1443 x 830 x 34 (22.6) mm	Approx. 1443 x 830 x 34 (22.6) mm
	TV only with camera (W x H x D)	144.3 x 84.6 x 4.5 (4.28) cm	1443 x 846 x 45 (42.8) mm / 56 7/8 x 33 3/8 x 1 13/16 (1 11/16) inch	Approx. 144.3 x 84.6 x 4.5 (4.28) cm	Approx. 1443 x 846 x 45 (42.8) mm	Approx. 1443 x 846 x 45 (42.8) mm
	TV with Stand (Standard position) (W x H x D)	144.3 x 85.9 x 33.9 cm	1443 x 859 x 339 mm / 56 7/8 x 33 7/8 x 13 3/8 inch	Approx. 144.3 x 85.9 x 33.9 cm	Approx. 1443 x 859 x 339 mm	Approx. 1443 x 859 x 339 mm
	TV with Stand (Narrow position) (W x H x D)	-	-	-	-	-
	TV with Stand (Soundbar position) (W x H x D)	144.3 x 92.0 x 33.9 cm	1443 x 920 x 339 mm / 56 7/8 x 36 1/4 x 13 3/8 inch	Approx. 144.3 x 92.0 x 33.9 cm	Approx. 1443 x 920 x 339 mm	Approx. 1443 x 920 x 339 mm
	TV with Stand (Front position style) (W x H x D)	-	-	-	-	-
	TV with Stand (Back position style) (W x H x D)	-	-	-	-	-
	TV with Floor Stand (W x H x D)	-	-	-	-	-
	Stand Width (Standard position)	144.2 cm	1442 mm / 56 7/8 inch	Approx. 144.2 cm	Approx. 1442 mm	Approx. 1442 mm
	Stand Width (Narrow position)	-	-	-	-	-
WEIGHT	Stand Width (Soundbar position)	144.2 cm	1442 mm / 56 7/8 inch	Approx. 144.2 cm	Approx. 1442 mm	Approx. 1442 mm
	Stand Width (Front position style)	-	-	-	-	-
	Stand Width (Back position style)	-	-	-	-	-
	Floor Stand Width	-	-	-	-	-
	VESA Hole Pitch	30.0 x 30.0 cm	300 x 300 mm / 11 7/8 x 11 7/8 inch	30.0 x 30.0 cm	300 x 300 mm	300 x 300 mm
	TV Only	23.4 kg	23.4 kg / 51.6 lb	Approx. 23.4 kg	Approx. 23.4 kg	Approx. 23.4 kg
	TV with Stand (Standard position)	24.9 kg	24.9 kg / 54.9 lb	Approx. 24.9 kg	Approx. 24.9 kg	Approx. 24.9 kg
	TV with Stand (Narrow position)	-	-	-	-	-
	TV with Stand (Soundbar position)	24.9 kg	24.9 kg / 54.9 lb	Approx. 24.9 kg	Approx. 24.9 kg	Approx. 24.9 kg
	TV with Stand (Front/Back position style)	-	-	-	-	-
Remarks	TV with Floor Stand	-	-	-	-	-
	Floor Stand weight (Supply)	-	-	-	-	-
W-M't Br. Weight (Supply)	-	-	-	-	-	
Remarks	2 way	2 way	2 way	2 way	2 way	

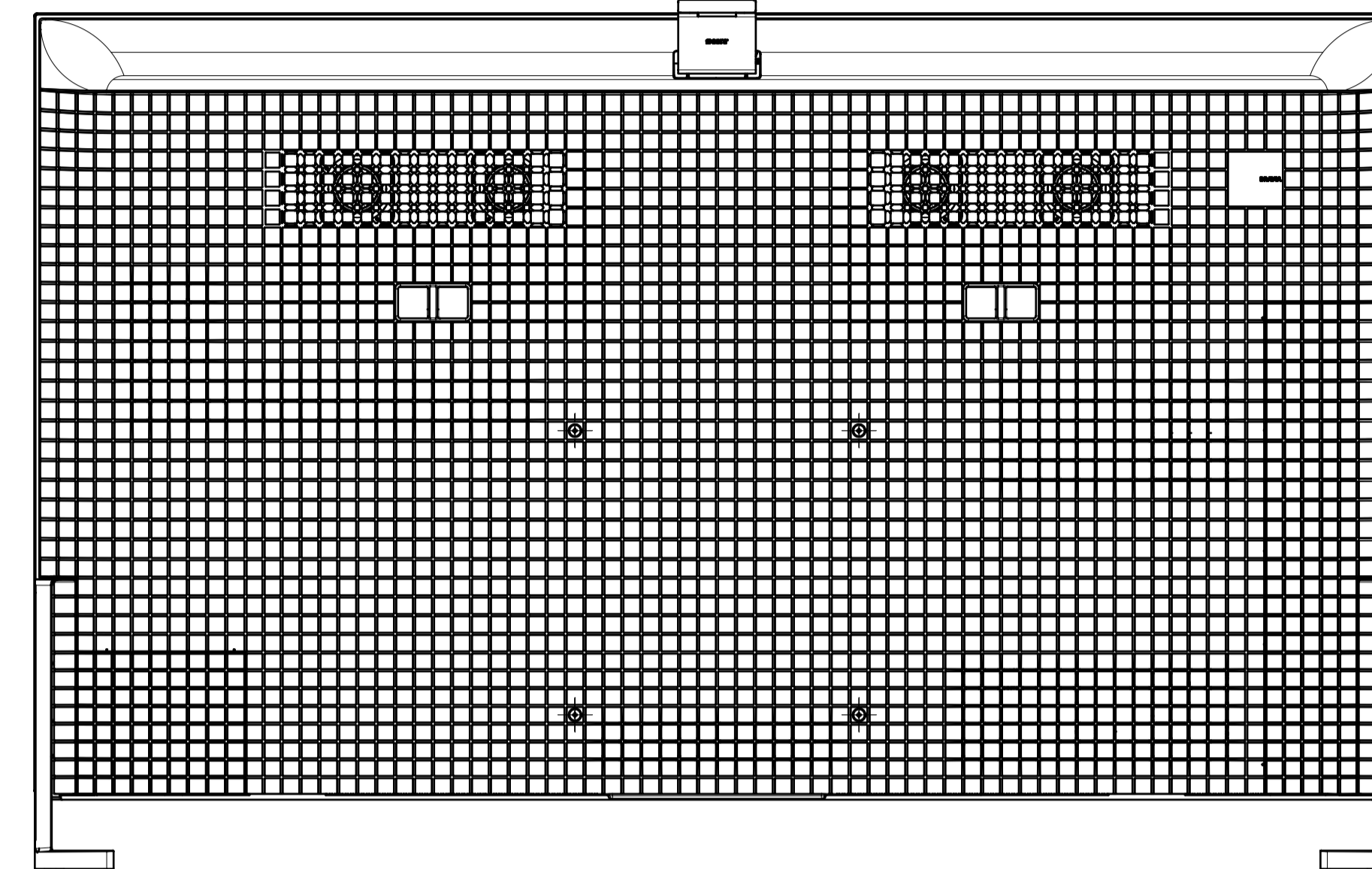
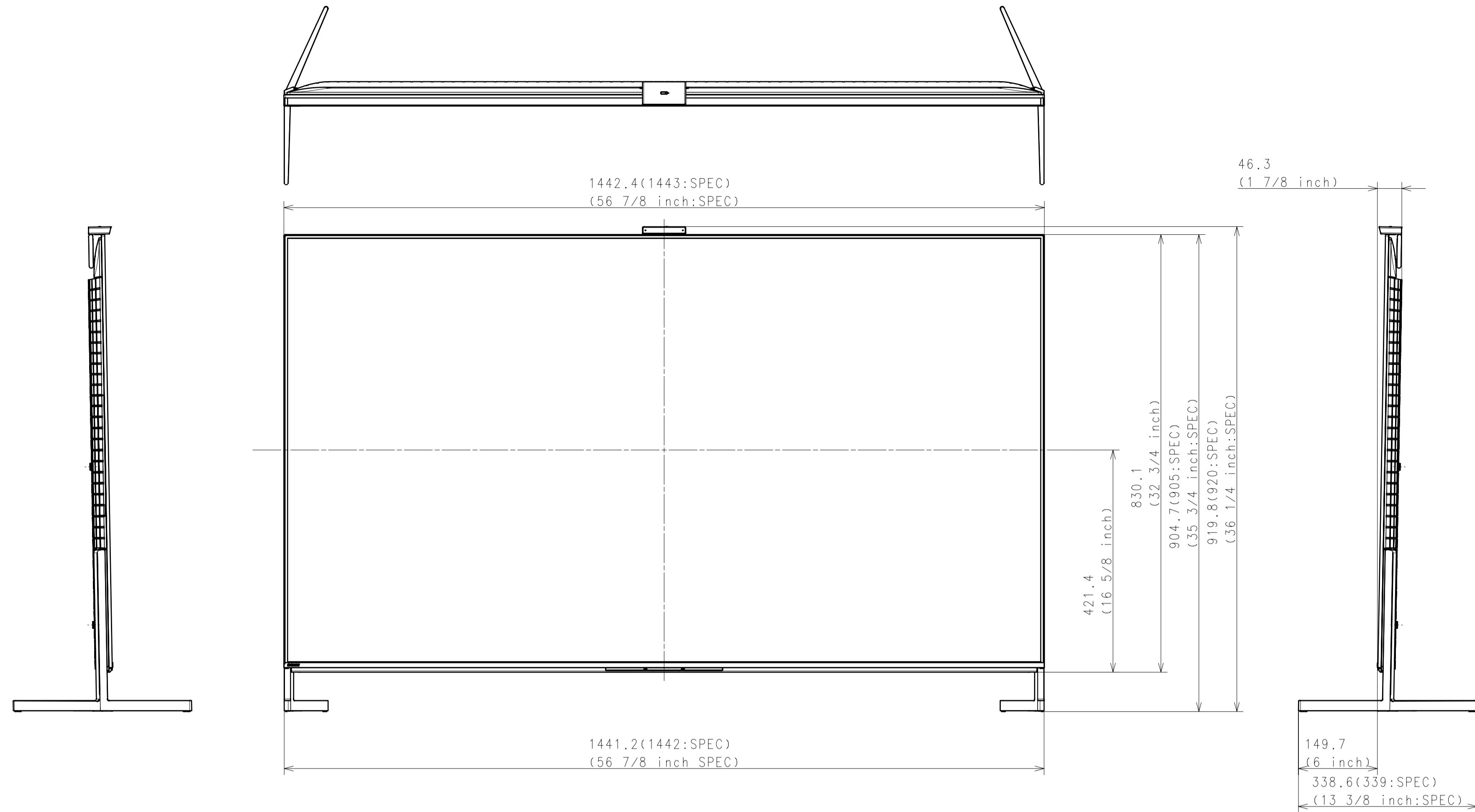
WITH STAND
STANDARD POSITION



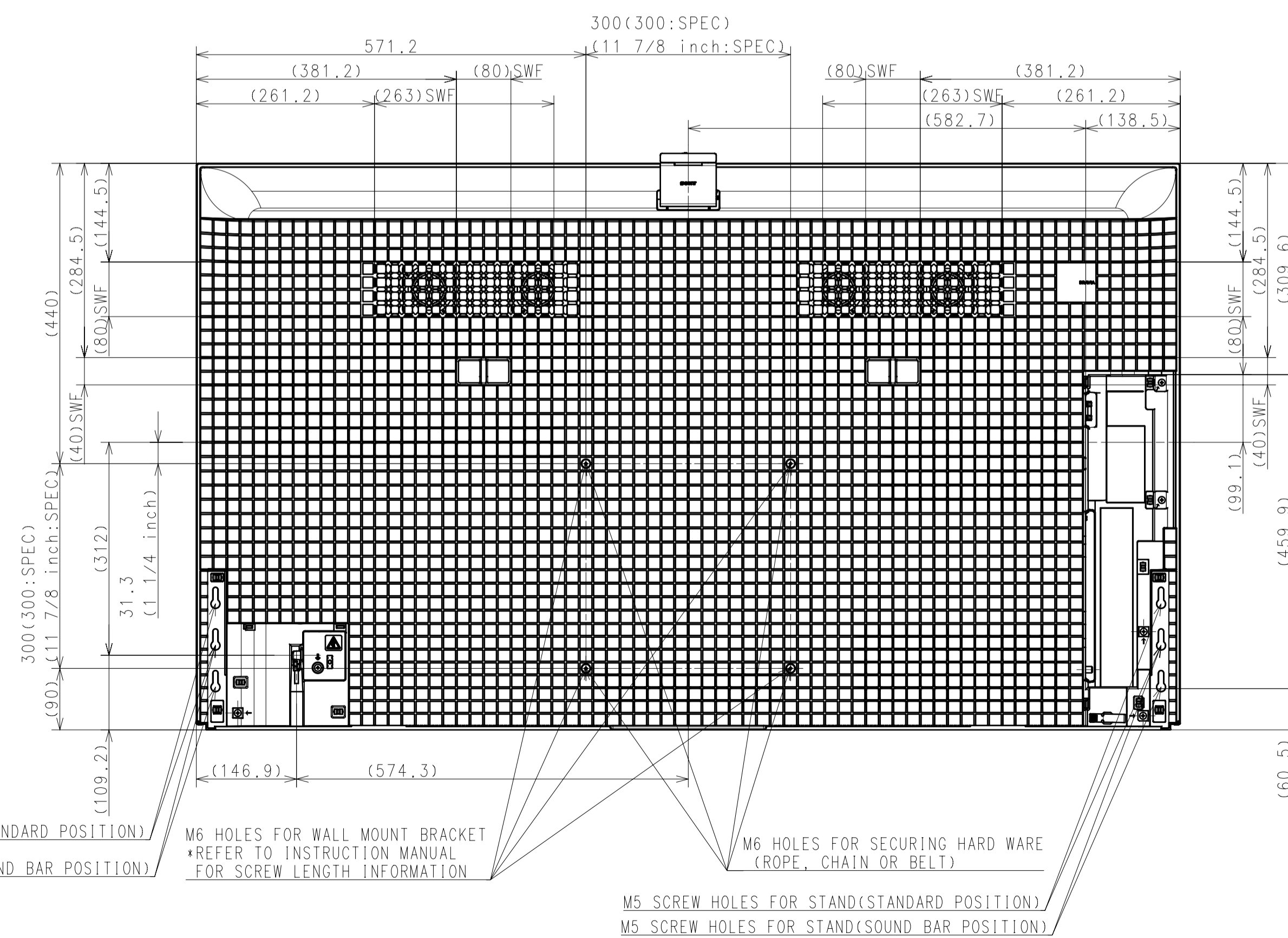
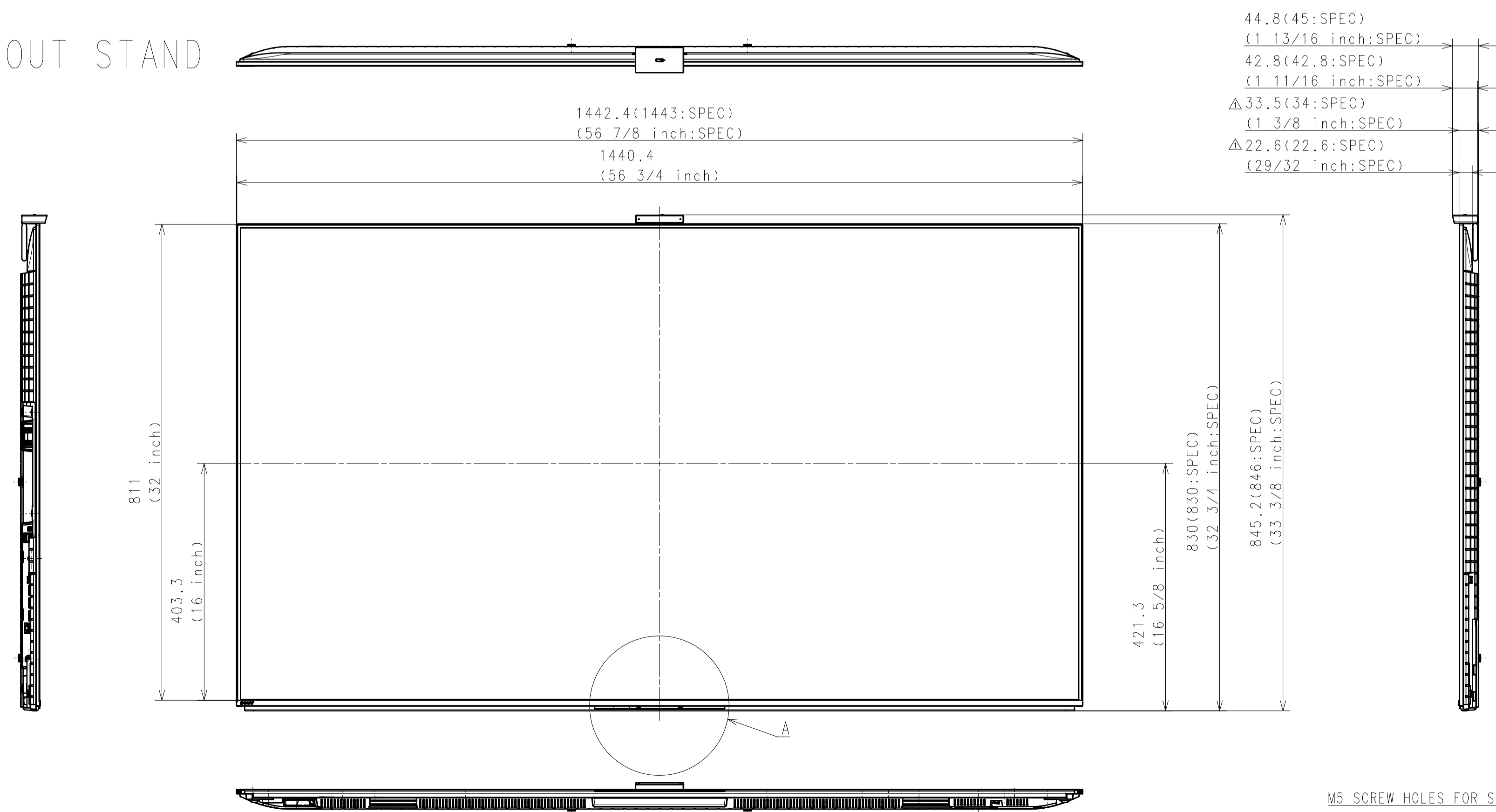
Purchase recycled resins and wire rods only from the business partners that Sony approves as Green Partners.
再生樹脂・再生鋼線はグリーンパートナー 協賛品から調達すること。

△x	△y	△z	△12	2023.03.07	DIMENSION CORRECTION	Nathan NISHI	DATE OF ISSUE 2022.10.28	GENERAL TOLERANCE	DOCUMENT TYPE PART	DATE OF ISSUE 2022.10.28
HISTORY							MATERIAL COLOR		FINISH COLOR	
RESPONSIBLE DEPARTMENT HE Div.							ORIGINAL MODEL		DESCRIPTION 65(A95L) EXTERIOR VIEW	
DRAWN BY Yoshikazu Hoshino							TENTATIVE MODEL		DESCRIPTION 65(A95L) EXTERIOR VIEW	
CHECKED BY							SCALE 1:1		SHEET/PAGES 1/4	
APPROVED BY							SIZE A1		UNIT mm	
DATE 2022.10.28							PART NO.		SUFFIX REV. NO.	

WITH STAND
SOUND BAR POSITION



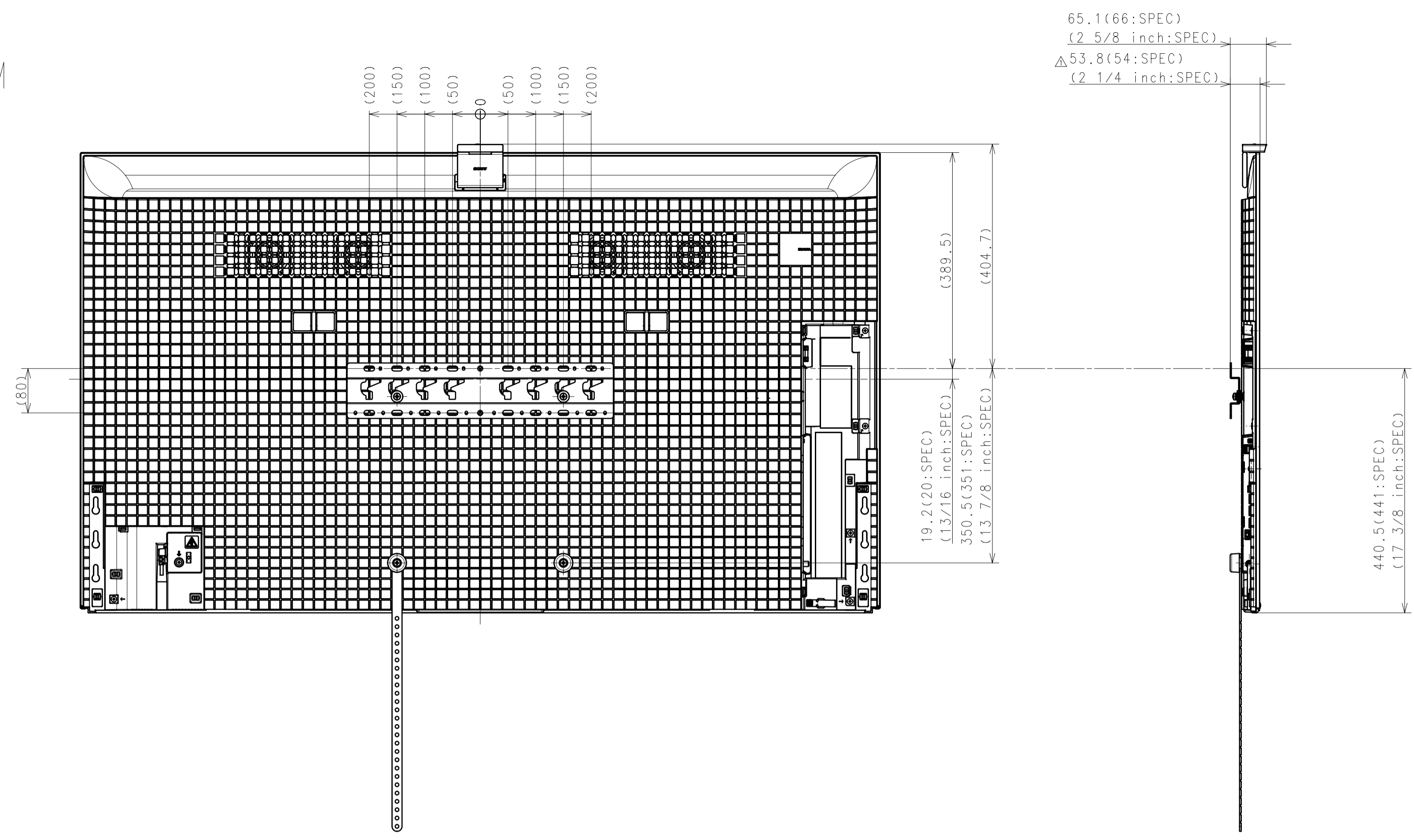
WITHOUT STAND



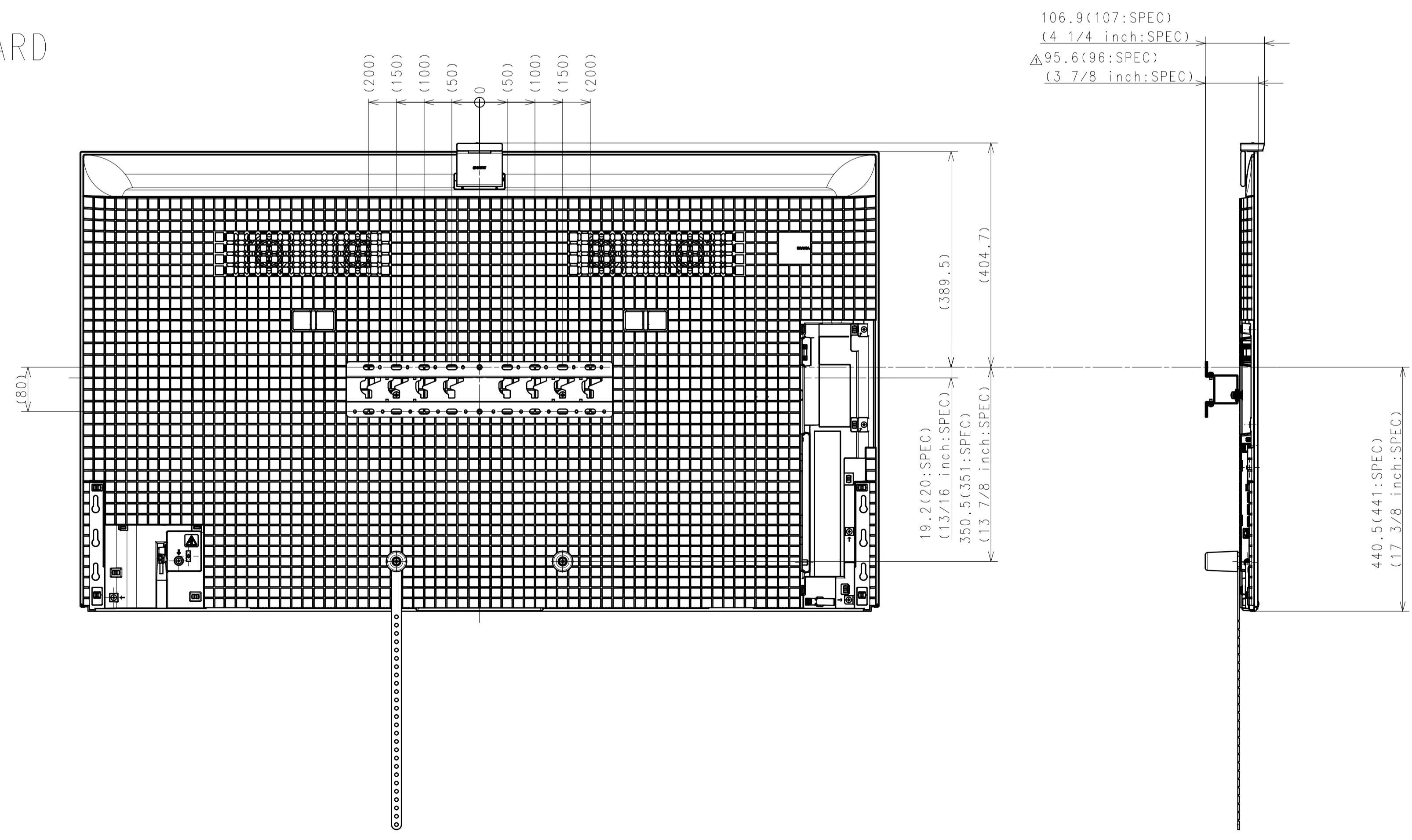
(642.5) From TV Outline A 1:2
(27.5)IR/OPT (4.3) (3.8)IR/OPT

DESCRIPTION: 65(A95L) EXTERIOR VIEW	LEGAL OWNER: Sony Corporation	SCALE: 1:1
DESCRIPTION: 65(A95L) EXTERIOR VIEW	PART NO.:	SHEET/PAGES: 2 / 4

SU-WL450 SLIM



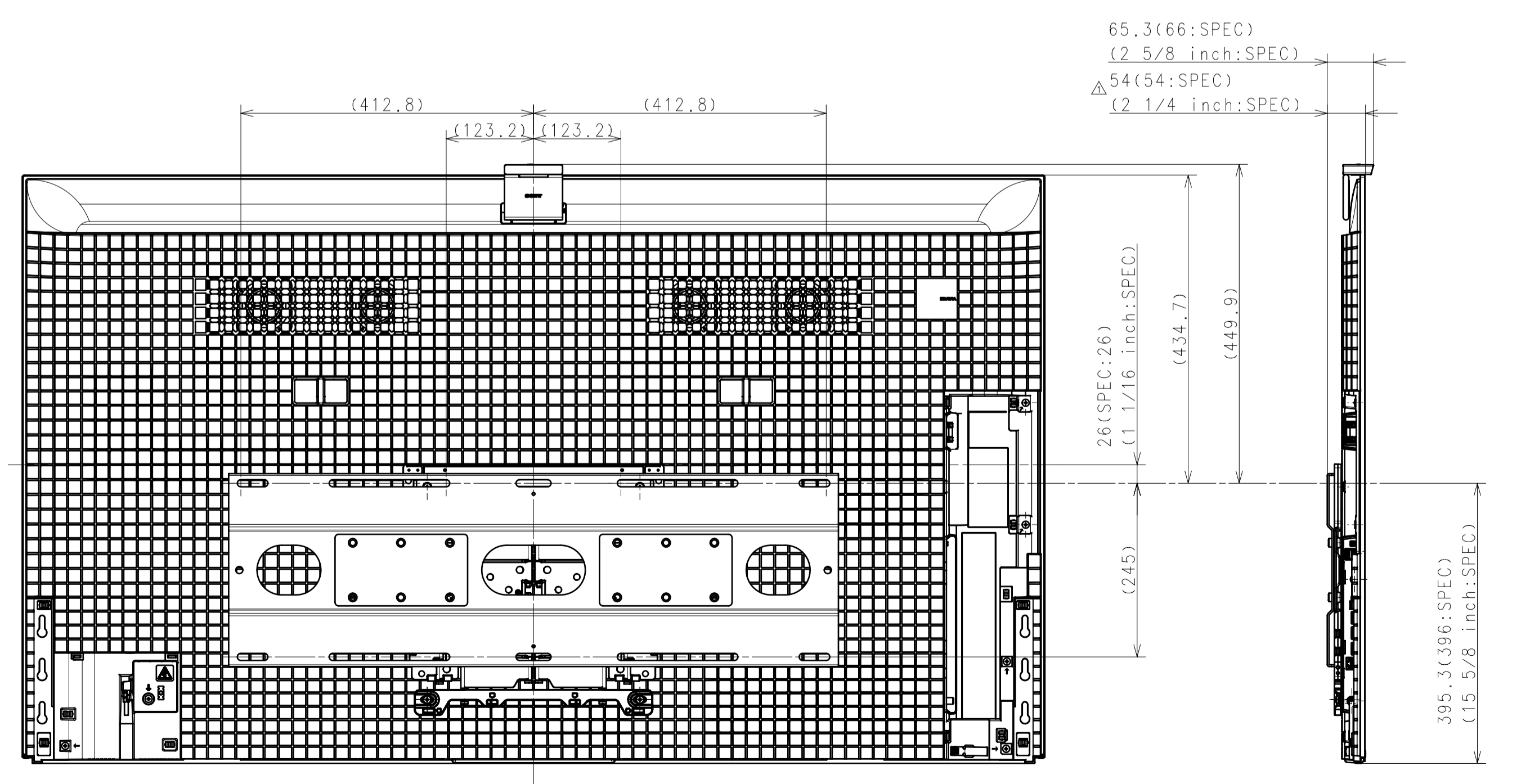
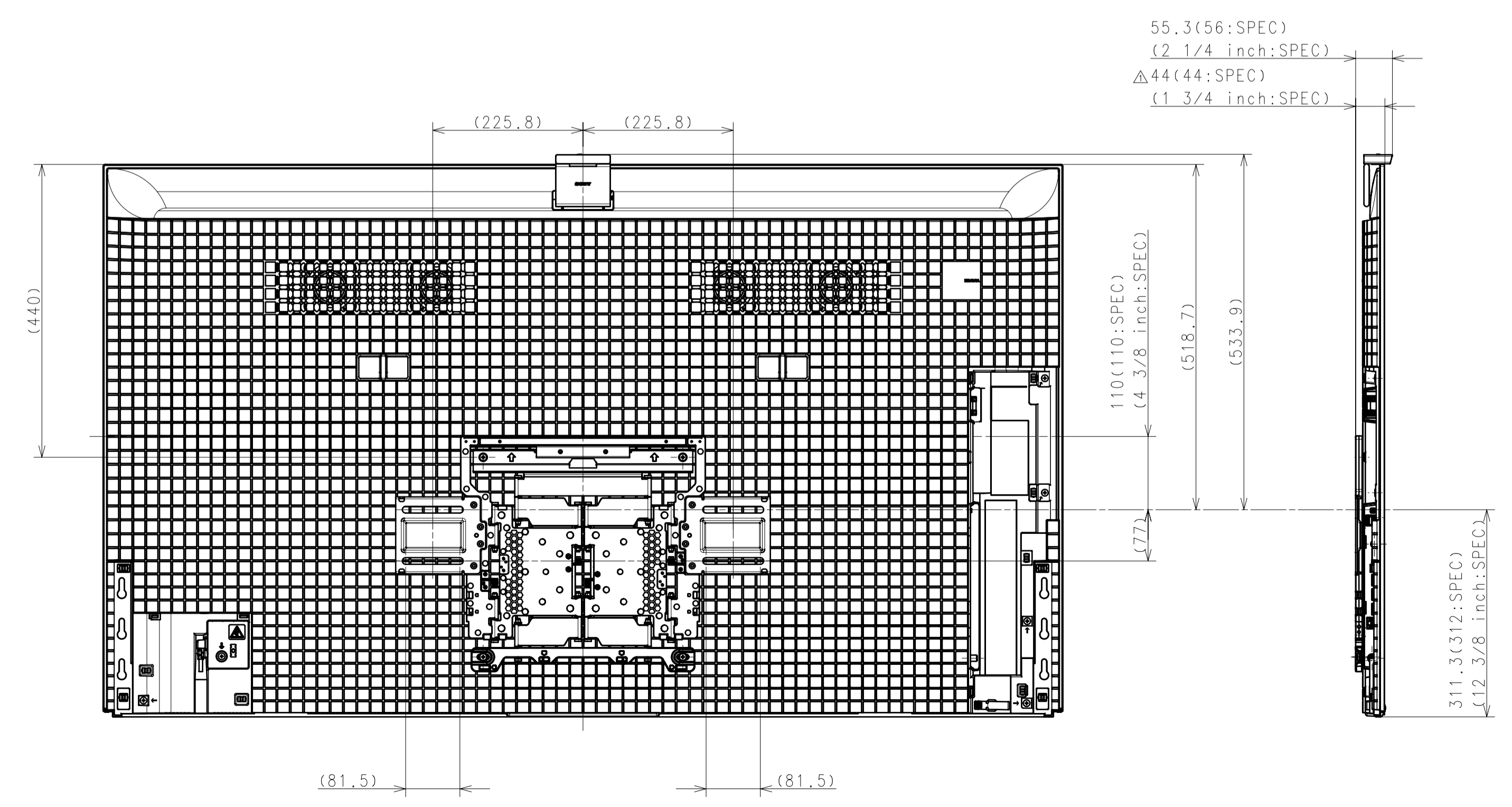
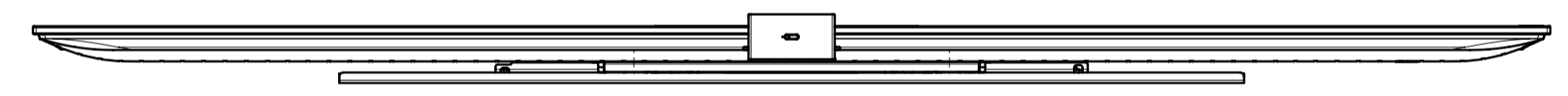
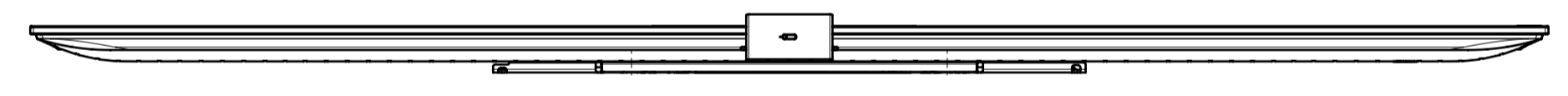
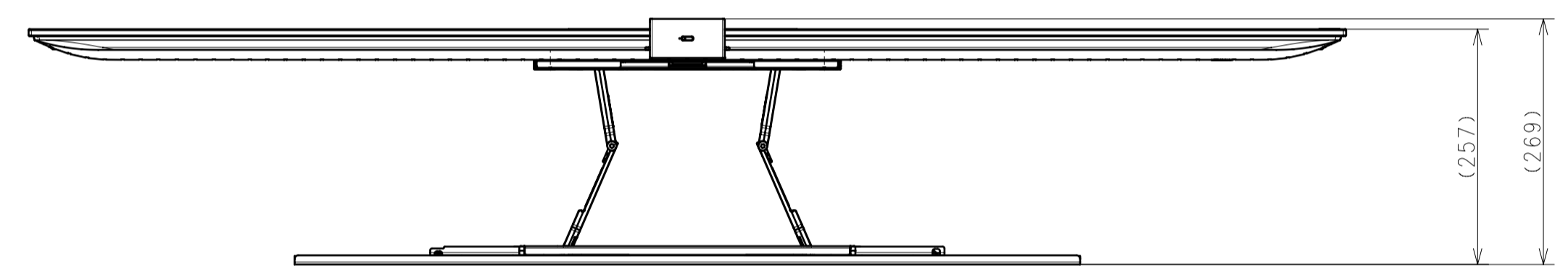
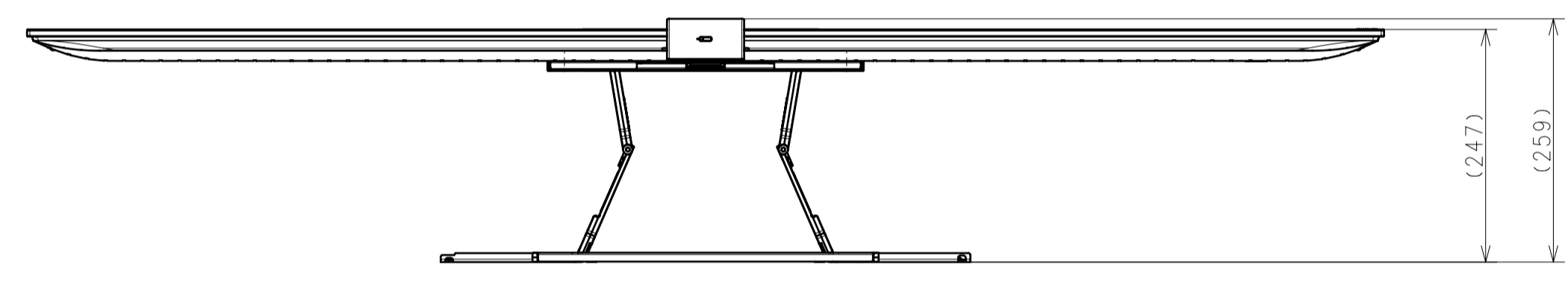
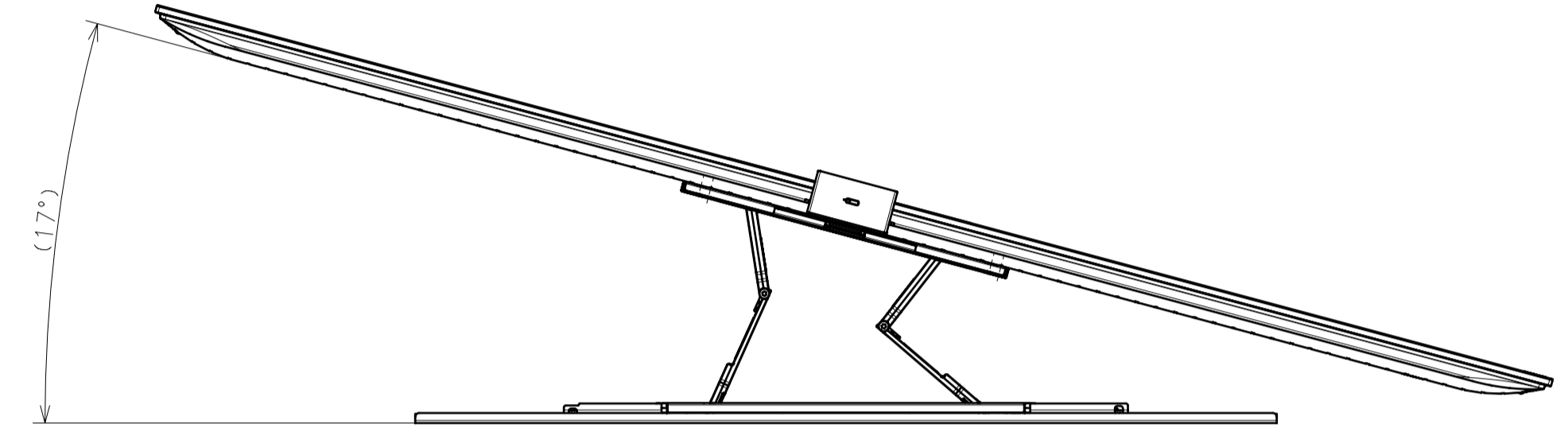
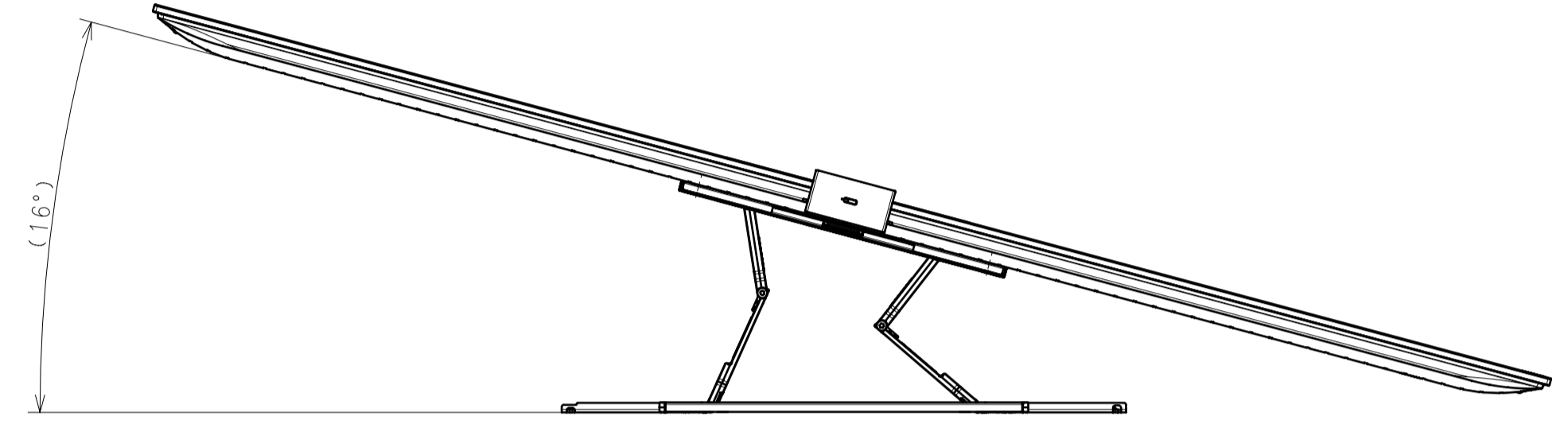
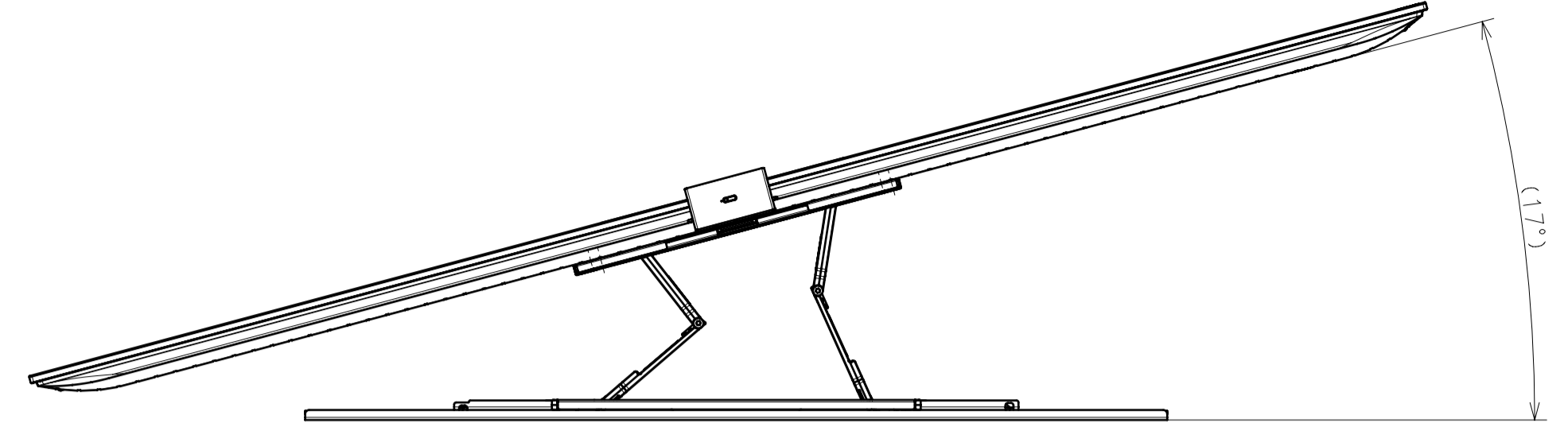
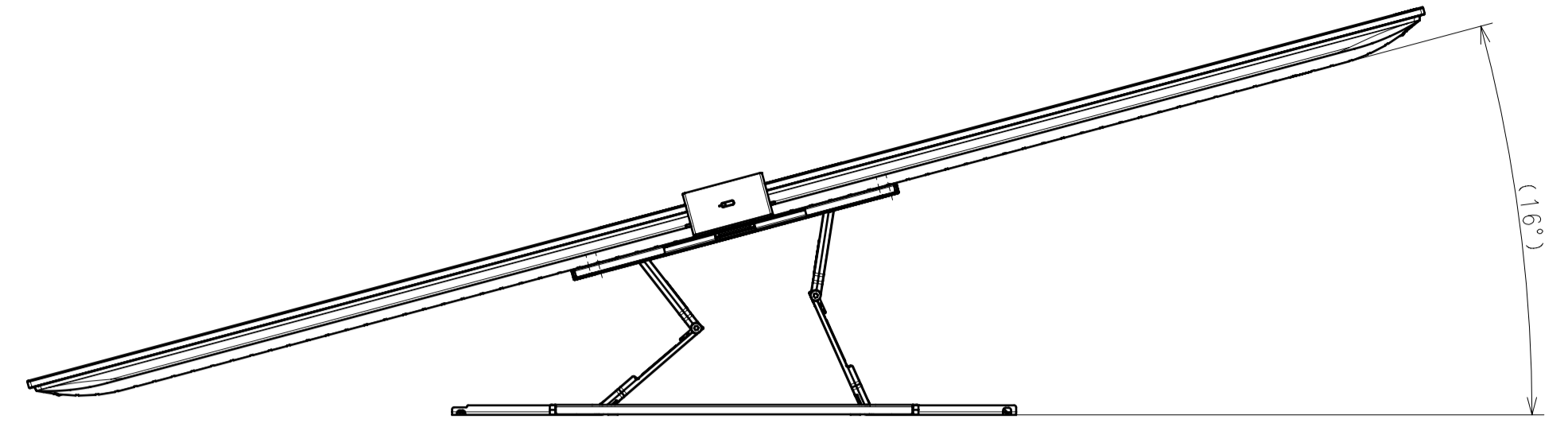
SU-WL450 STANDARD



DESCRIPTION 1	LEGAL OWNER	SCALE
65(A95L) EXTERIOR VIEW	Sony Corporation	1:1
DESCRIPTION 2	PART NO.	SHEET/PAGES
65(A95L) EXTERIOR VIEW		3 / 4

SU-WL850

SU-WL855 with LATERAL SHAFT BRACKET



DESCRIPTION 1 65(A95L) EXTERIOR VIEW	LEGAL OWNER Sony Corporation	SCALE 1:1
DESCRIPTION 2 65(A95L) EXTERIOR VIEW	PART NO.	SHEET/PAGES 4 / 4