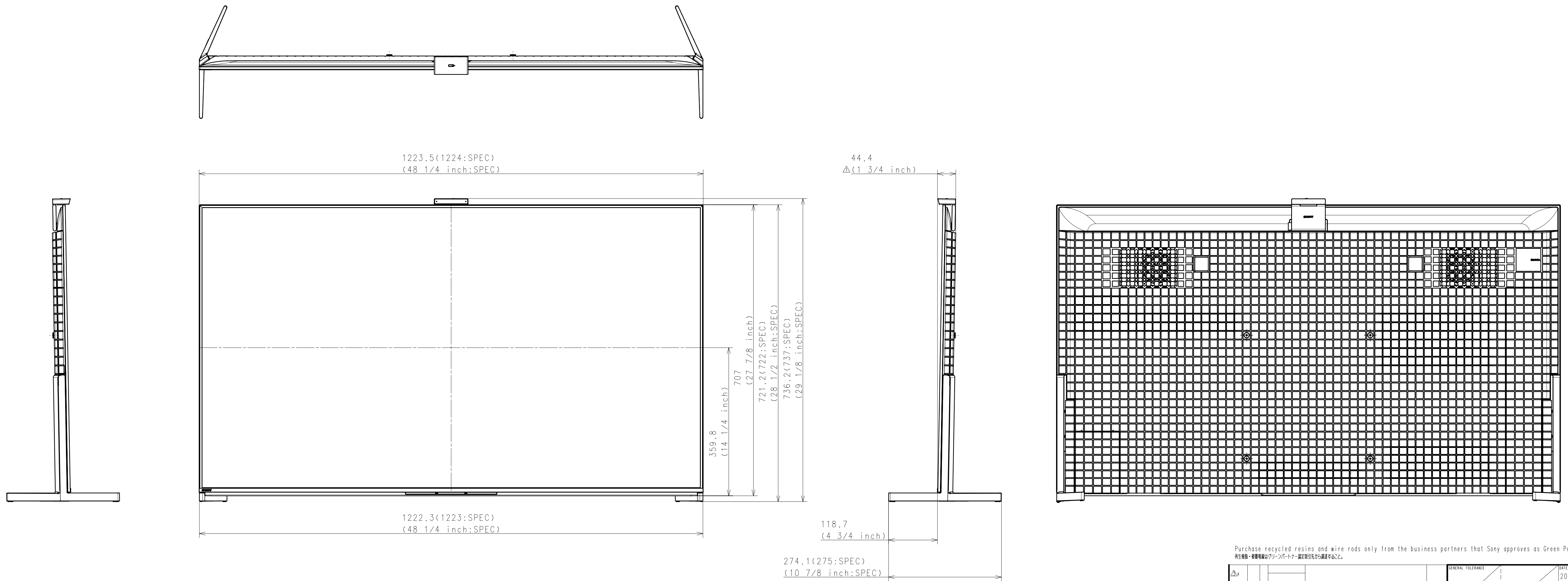


| Area | | JAPAN | NORTH AMERICA | EUROPE | GENERAL AREA | CHINA |
|-----------------------------|--|---------------------------------------|---|---|---|---|
| Model Name | | XRJ-55A95L | XR-55A95L | XR-55A95L | XR-55A95L | XR-55A95L |
| SV No. | | SV-41550 | SV-41390 | SV-41540 | SV-41451 | SV-41508 |
| DIMENSION | TV only (W x H x D) | 122.4 x 70.7 x Δ 3.4 (2.19) cm | 1224 x 707 x Δ 3.4 (21.9) mm / 48 1/4 x 27 7/8 x Δ 3/8 (7/8) inch | Approx. 122.4 x 70.7 x Δ 3.4 (2.19) cm | Approx. 1224 x 707 x Δ 3.4 (21.9) mm | Approx. 1224 x 707 x Δ 3.4 (21.9) mm |
| | TV only with camera (W x H x D) | 122.4 x Δ 72.3 x 4.5 (4.28) cm | 1224 x Δ 723 x 45 (42.8) mm / 48 1/4 x 28 1/2 x 1 13/16 (1 11/16) inch | Approx. 122.4 x Δ 72.3 x 4.5 (4.28) cm | Approx. 1224 x Δ 723 x 45 (42.8) mm | Approx. 1224 x Δ 723 x 45 (42.8) mm |
| | TV with Stand (Standard position) (W x H x D) | 122.4 x 73.7 x 27.5 cm | 1224 x 737 x 275 mm / 48 1/4 x 29 1/8 x 10 7/8 inch | Approx. 122.4 x 73.7 x 27.5 cm | Approx. 1224 x 737 x 275 mm | Approx. 1224 x 737 x 275 mm |
| | TV with Stand (Narrow position) (W x H x D) | - | - | - | - | - |
| | TV with Stand (Soundbar position) (W x H x D) | 122.4 x 79.8 x 27.5 cm | 1224 x 798 x 275 mm / 48 1/4 x 31 1/2 x 10 7/8 inch | Approx. 122.4 x 79.8 x 27.5 cm | Approx. 1224 x 798 x 275 mm | Approx. 1224 x 798 x 275 mm |
| | TV with Stand (Front position style) (W x H x D) | - | - | - | - | - |
| | TV with Stand (Back position style) (W x H x D) | - | - | - | - | - |
| | TV with Floor Stand (W x H x D) | - | - | - | - | - |
| | Stand Width (Standard position) | 122.3 cm | 1223 mm / 48 1/4 inch | Approx. 122.3 cm | Approx. 1223 mm | Approx. 1223 mm |
| | Stand Width (Narrow position) | - | - | - | - | - |
| WEIGHT | Stand Width (Soundbar position) | 122.3 cm | 1223 mm / 48 1/4 inch | Approx. 122.3 cm | Approx. 1223 mm | Approx. 1223 mm |
| | Stand Width (Front position style) | - | - | - | - | - |
| | Stand Width (Back position style) | - | - | - | - | - |
| | Floor Stand Width | - | - | - | - | - |
| | VESA Hole Pitch | 30.0 x 30.0 cm | 300 x 300 mm / 11 7/8 x 11 7/8 inch | 30.0 x 30.0 cm | 300 x 300 mm | 300 x 300 mm |
| | TV Only | 17.6 kg | 17.6 kg / 38.8 lb | Approx. 17.6 kg | Approx. 17.6 kg | Approx. 17.6 kg |
| | TV with Stand (Standard position) | 19 kg | 19 kg / 41.9 lb | Approx. 19 kg | Approx. 19 kg | Approx. 19 kg |
| | TV with Stand (Narrow position) | - | - | - | - | - |
| | TV with Stand (Soundbar position) | 19 kg | 19 kg / 41.9 lb | Approx. 19 kg | Approx. 19 kg | Approx. 19 kg |
| | TV with Stand (Front/Back position style) | - | - | - | - | - |
| TV with Floor Stand | - | - | - | - | - | |
| Floor Stand weight (Supply) | - | - | - | - | - | |
| W-M't Br. Weight (Supply) | - | - | - | - | - | |
| Remarks | | 2 way | 2 way | 2 way | 2 way | 2 way |

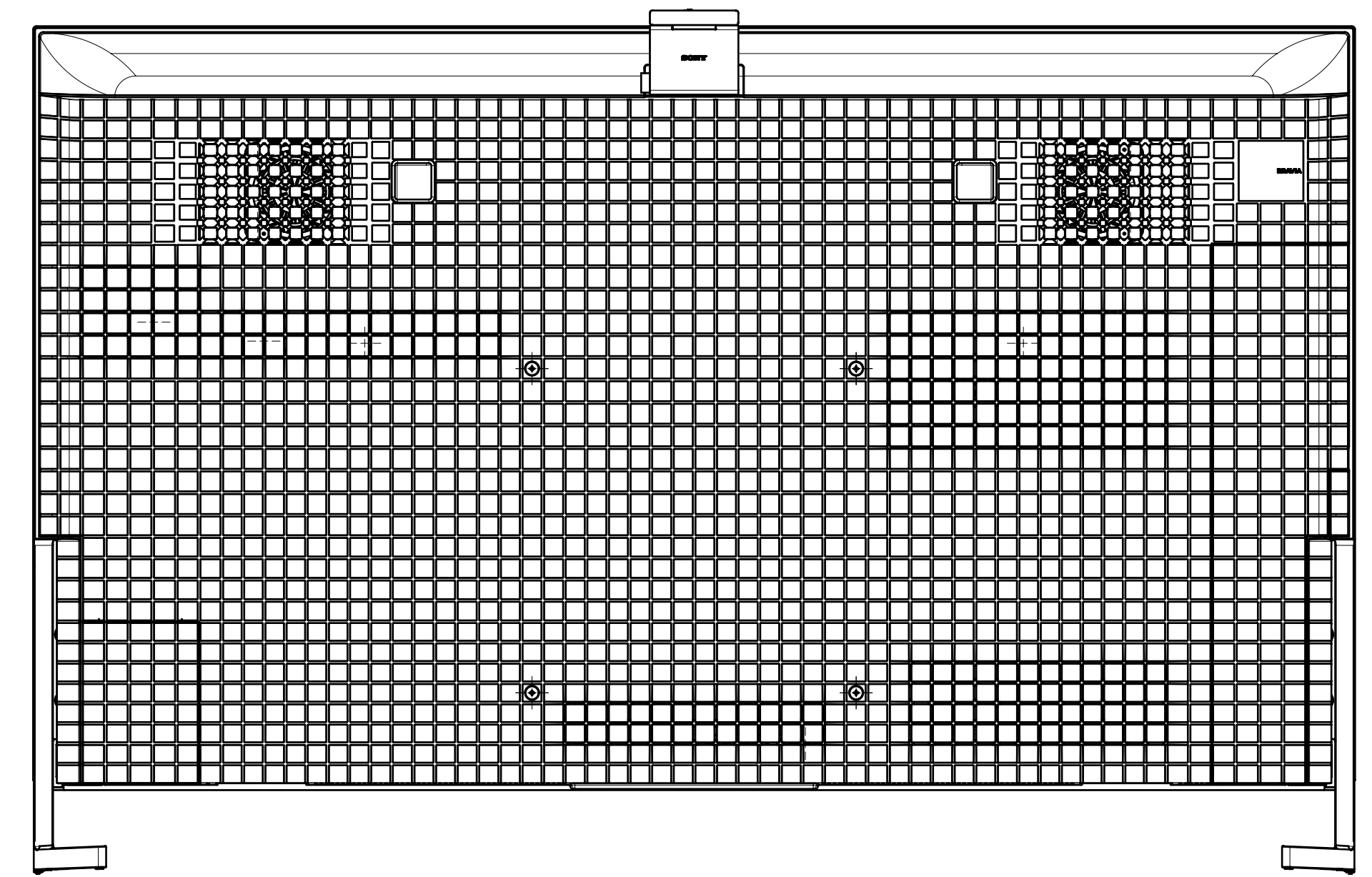
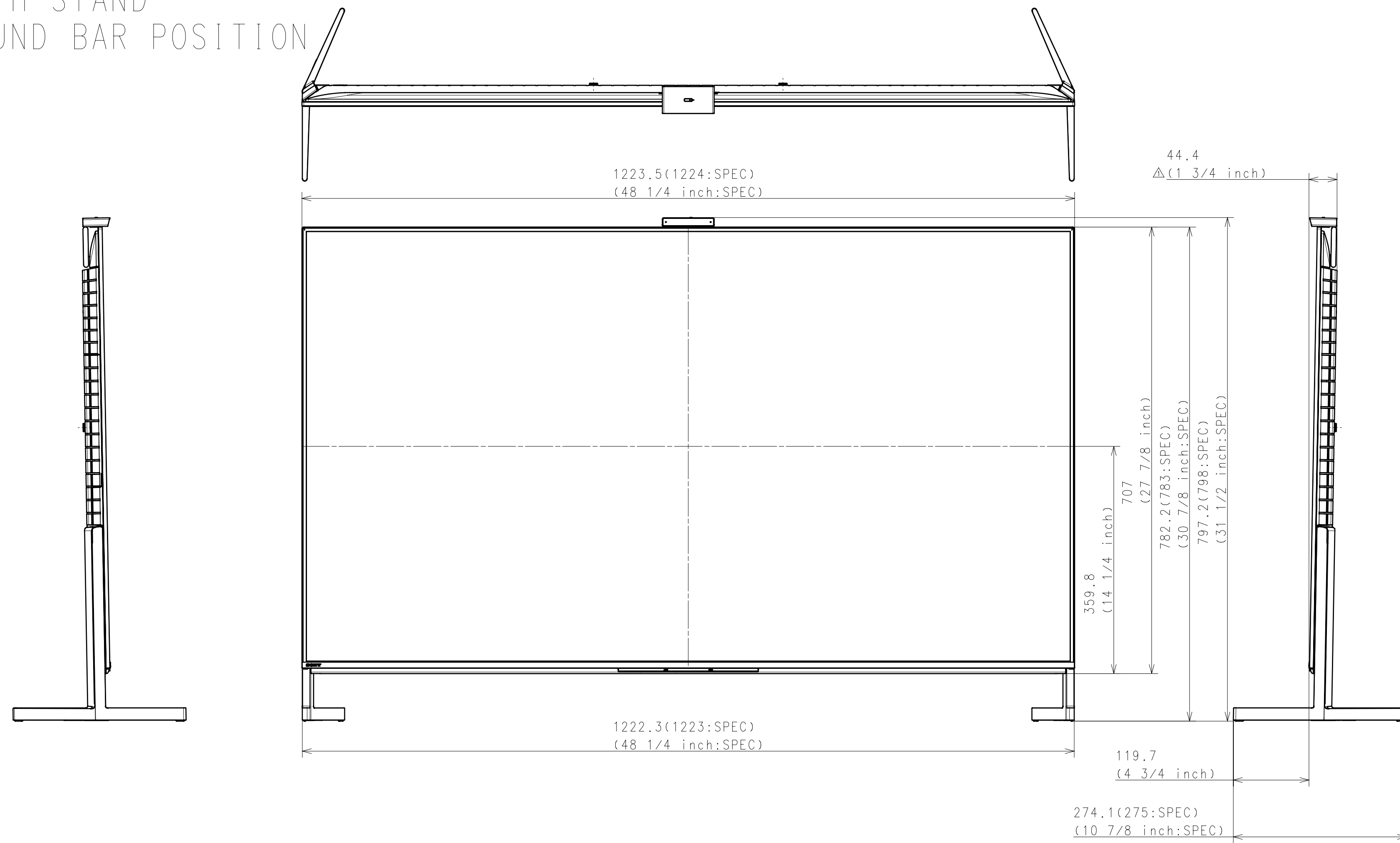
WITH STAND
STANDARD POSITION



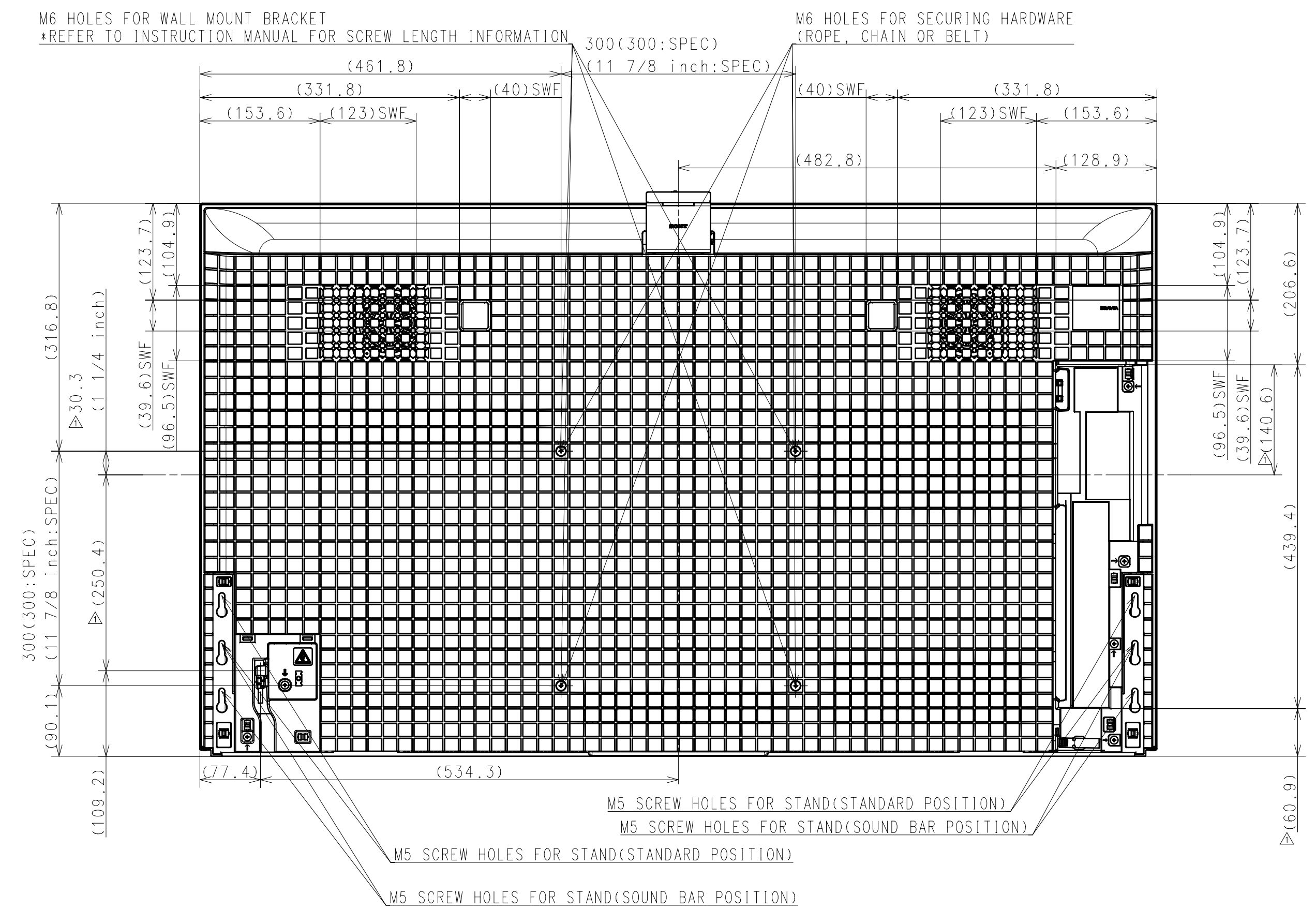
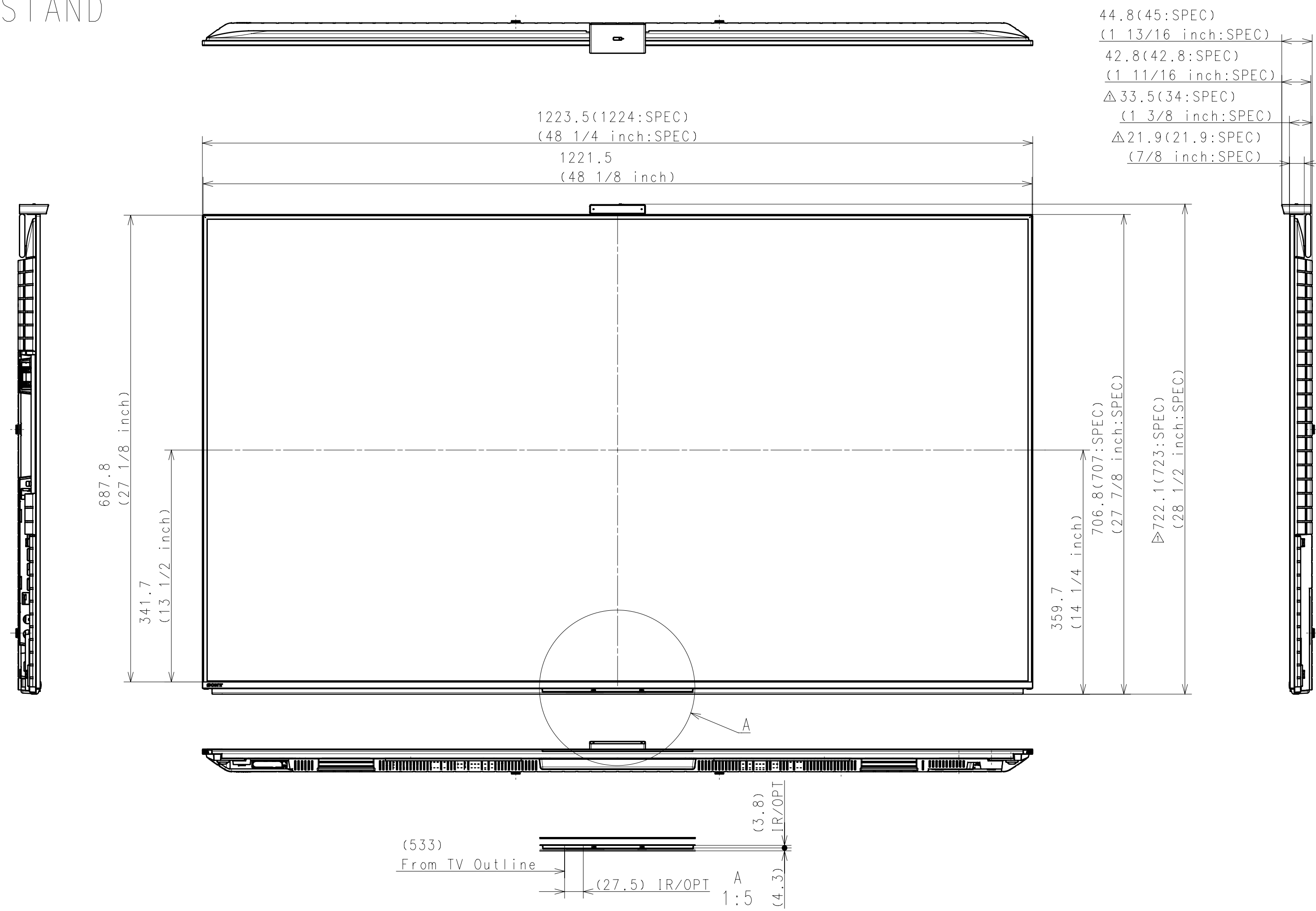
Purchase recycled resins and wire rods only from the business partners that Sony approves as Green Partners.
再生樹脂・銅線はグリーンパートナー 認定受取先から購入してください。

| | | | | | | |
|------------------------|------------|----------------|----------------------|--------------|-------------------|----------------------|
| △A | | | | | GENERAL TOLERANCE | DATE OF ISSUE |
| △B | | | | | | 2022.10.27 |
| △C | | | | | | DOCUMENT TYPE |
| △D | 28 | 2023.03.07 | DIMENSION CORRECTION | auth initial | | PART |
| HISTORY | SUFFIX | RELEASE NO. | REVISION | SIGN. | | DRAWING |
| V. COUNT | PREL. NO. | DATE | | | | (JIS & ISO/IEC J015) |
| LEGAL OWNER | | | | | MATERIAL COLOR | FINISH COLOR |
| Sony Corporation | | | | | | |
| RESPONSIBLE DEPARTMENT | HE Div. | ORIGINAL MODEL | DESCRIPTION | | | |
| PLANNED BY | 2022.10.27 | PLANNED BY | 2022.10.27 | SCALE | 1:5 | TENTATIVE MODEL |
| DRAWN BY | 2022.10.27 | DRAWN BY | 2022.10.27 | SIZE | A1 | UNIT |
| | | | | PREL. METHOD | mm | PREL. NO. |
| | | | | | | SUFFIX |
| | | | | | | REV. NO. |
| | | | | | | SHEET/PAGES |
| | | | | | | 1 / 4 |

WITH STAND
SOUND BAR POSITION

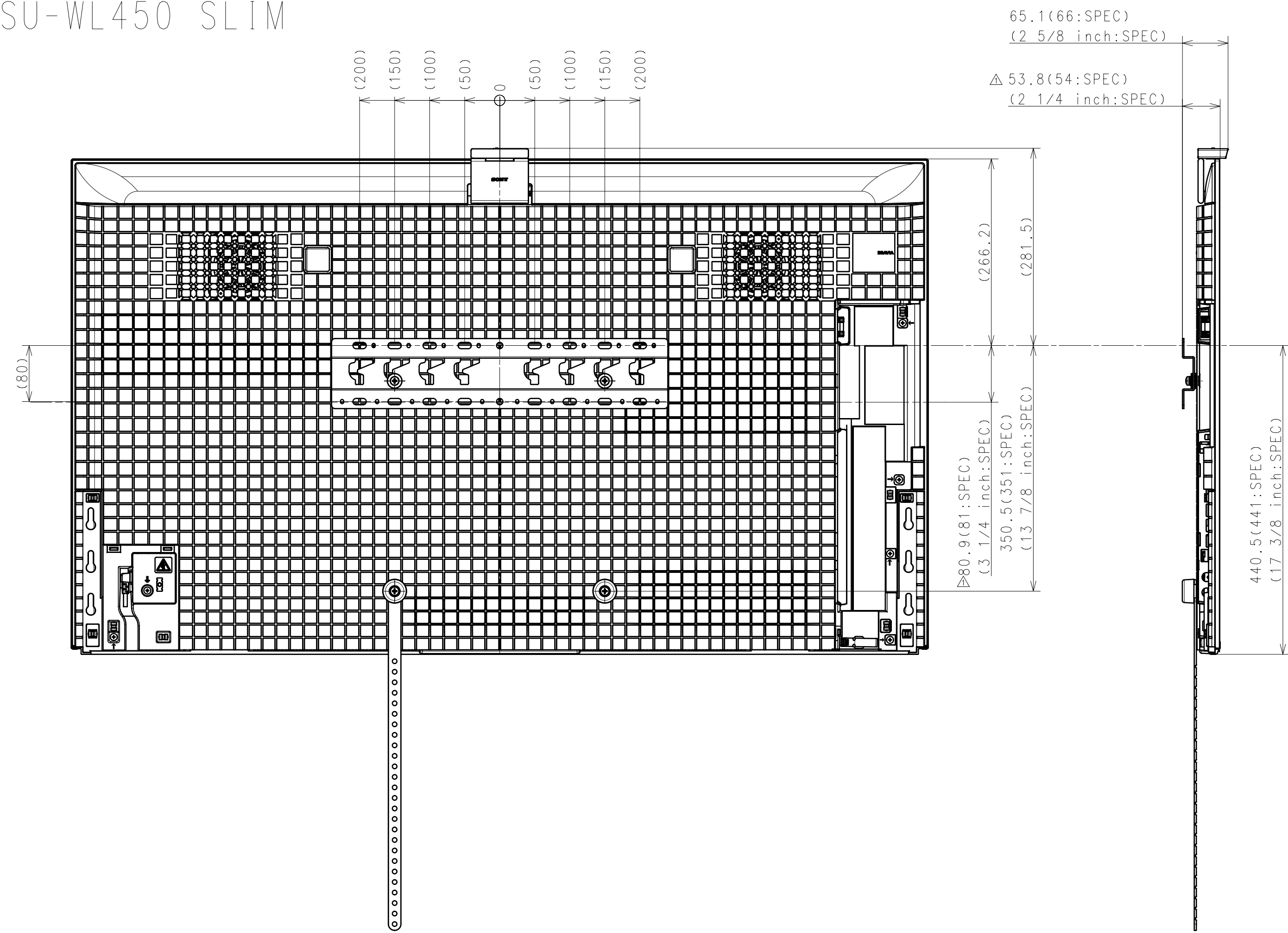


WITHOUT STAND

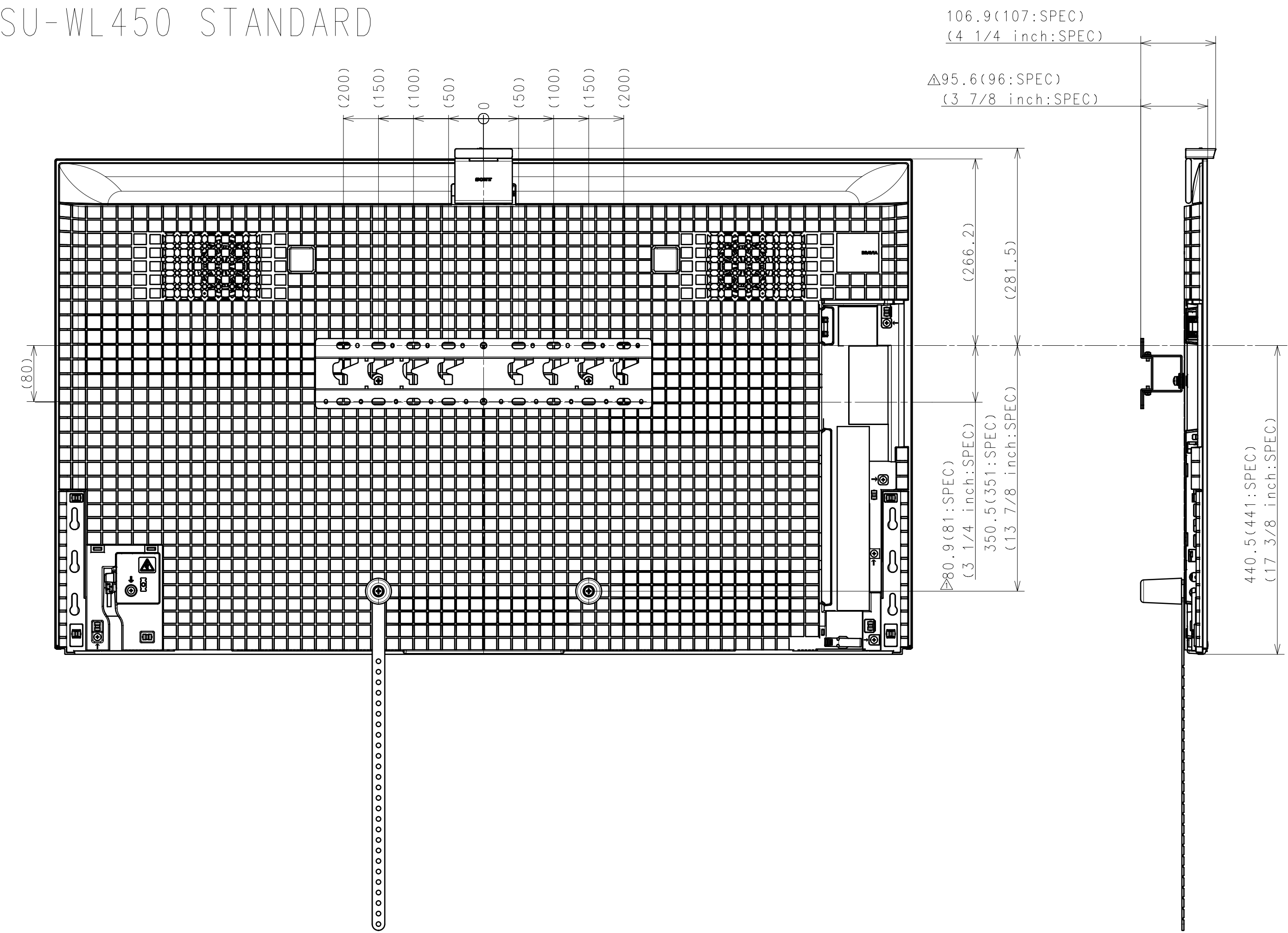


| | | |
|---------------------------------------|---------------------------------|----------------------|
| DESCRIPTION 55(A95L) EXTERIOR VIEW | LEGAL OWNER Sony Corporation | SCALE 1:5 |
| DESCRIPTION 55(A95L) EXTERIOR VIEW | PART NO. | SHEET/PAGES 2 / 4 |

SU-WL450 SLIM



SU-WL450 STANDARD



DRAWING

SONY STANDARD

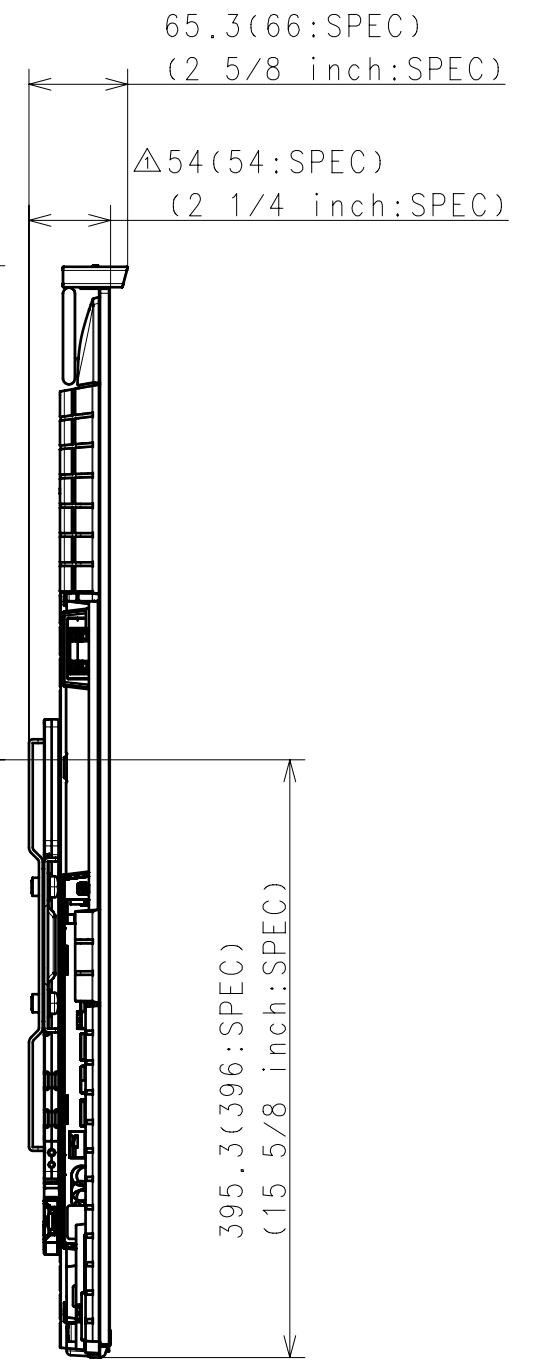
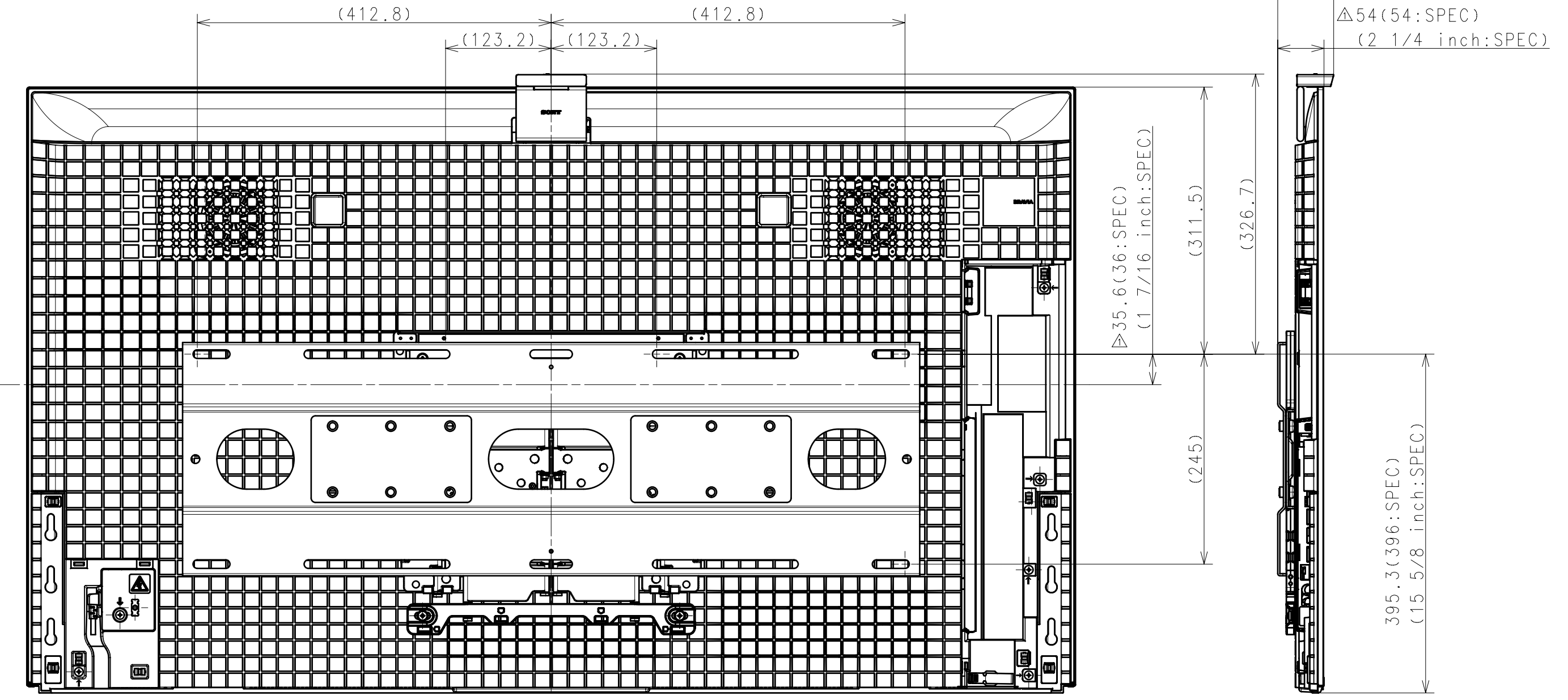
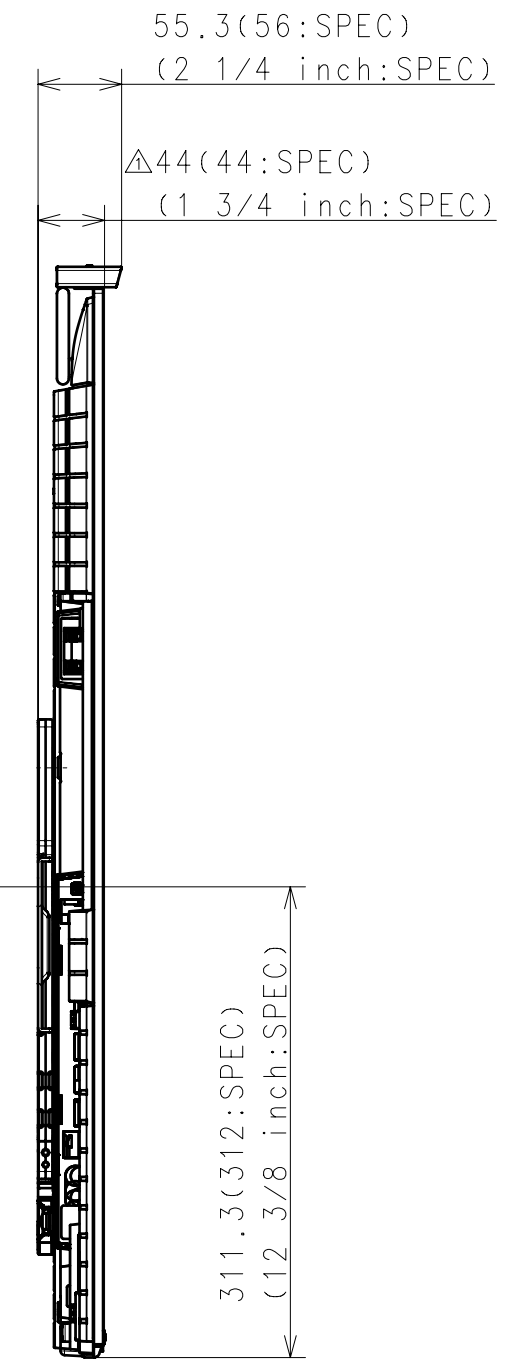
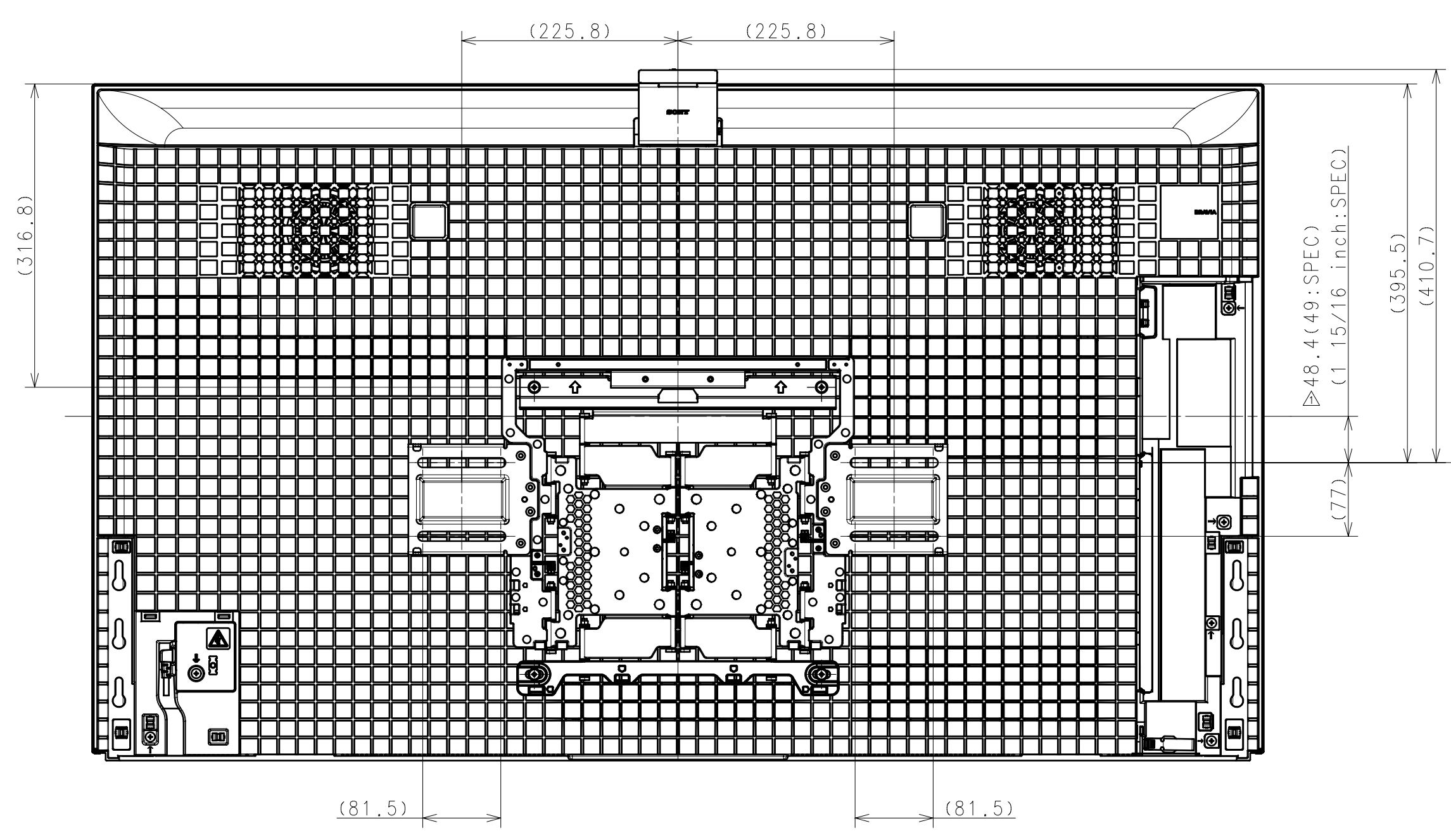
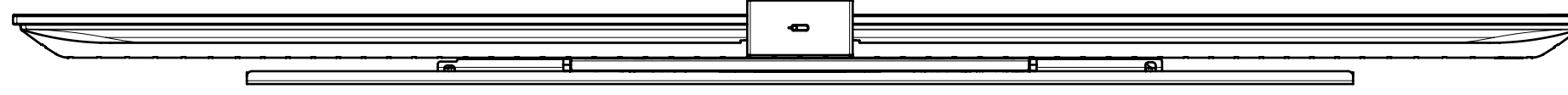
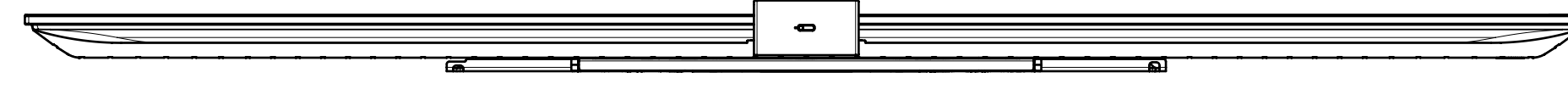
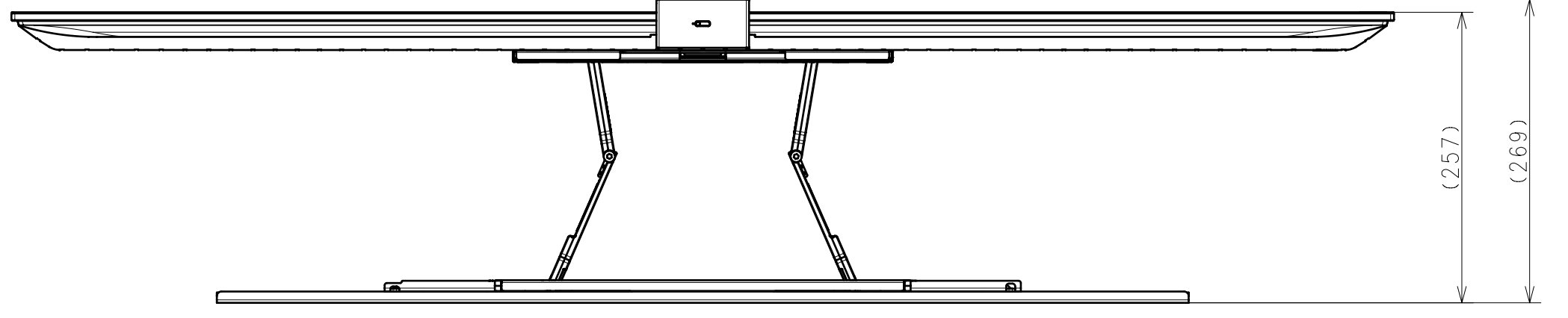
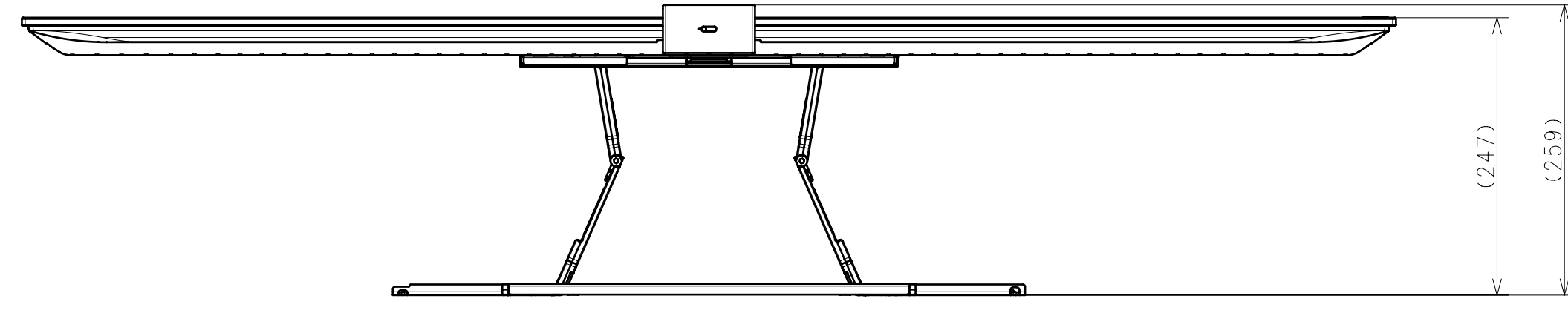
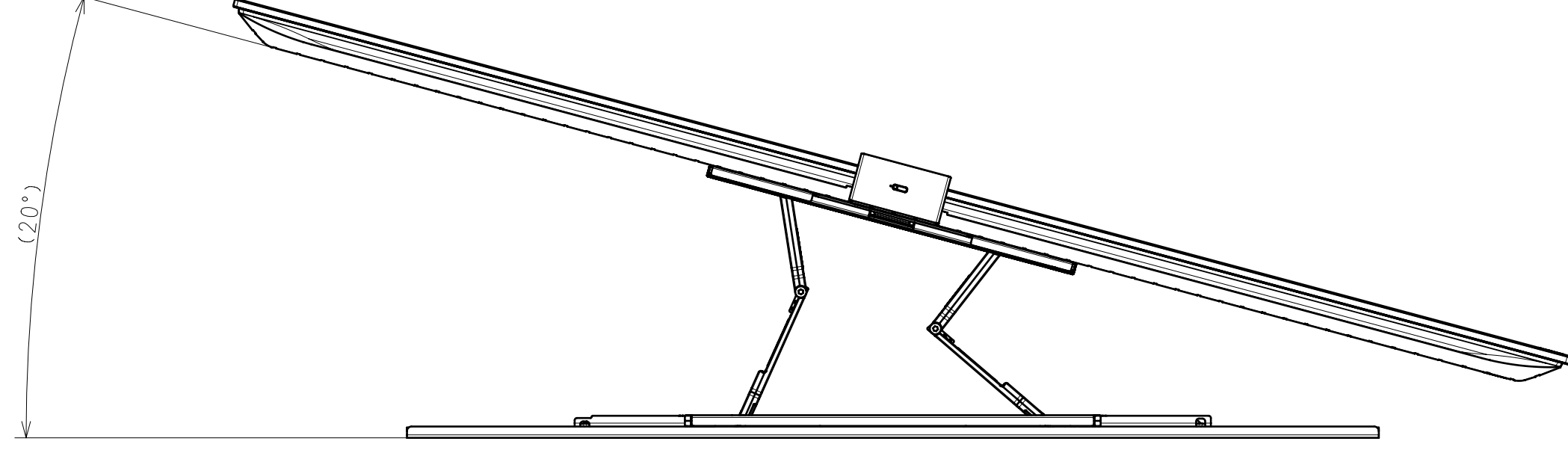
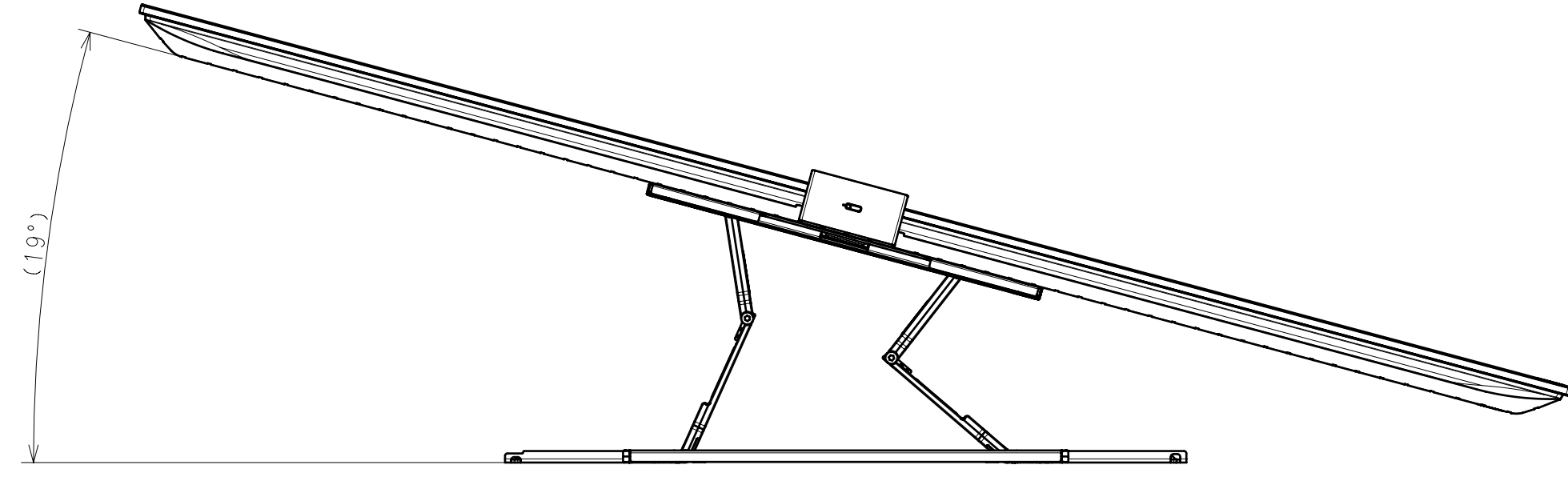
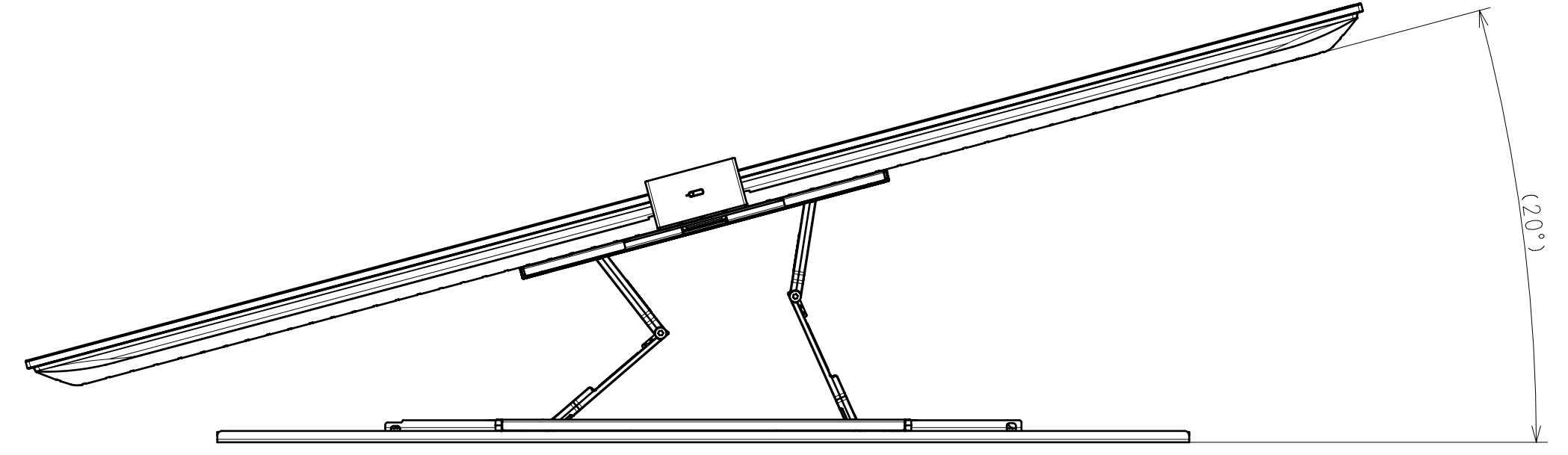
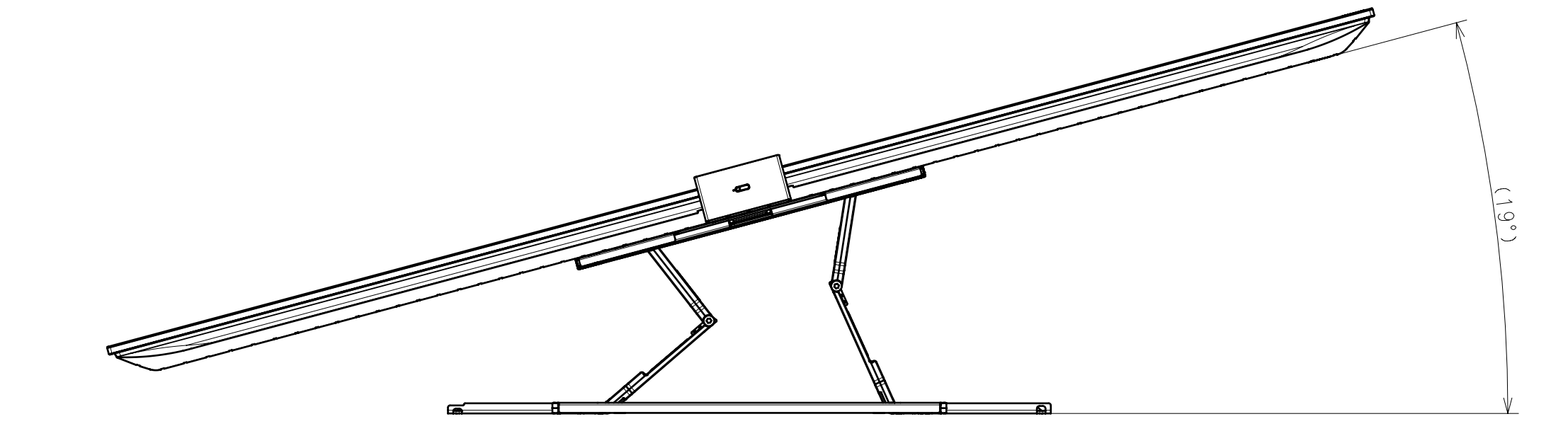
A1

18.08

| | | |
|------------------------|------------------|-------------|
| DESCRIPTION 1 | LEGAL OWNER | SCALE |
| 55(A95L) EXTERIOR VIEW | Sony Corporation | 1:5 |
| DESCRIPTION 2 | PART NO. | SHEET/PAGES |
| 55(A95L) EXTERIOR VIEW | | 3/4 |

SU-WL850

SU-WL855 WITH LATERAL SHAFT BRACKET



| | | |
|-------------------------------------|-------------------------------|--------------------|
| DESCRIPTION: 55(A95L) EXTERIOR VIEW | LEGAL OWNER: Sony Corporation | SCALE: 1:5 |
| DESCRIPTION: 55(A95L) EXTERIOR VIEW | PART NO.: | SHEET/PAGES: 4 / 4 |