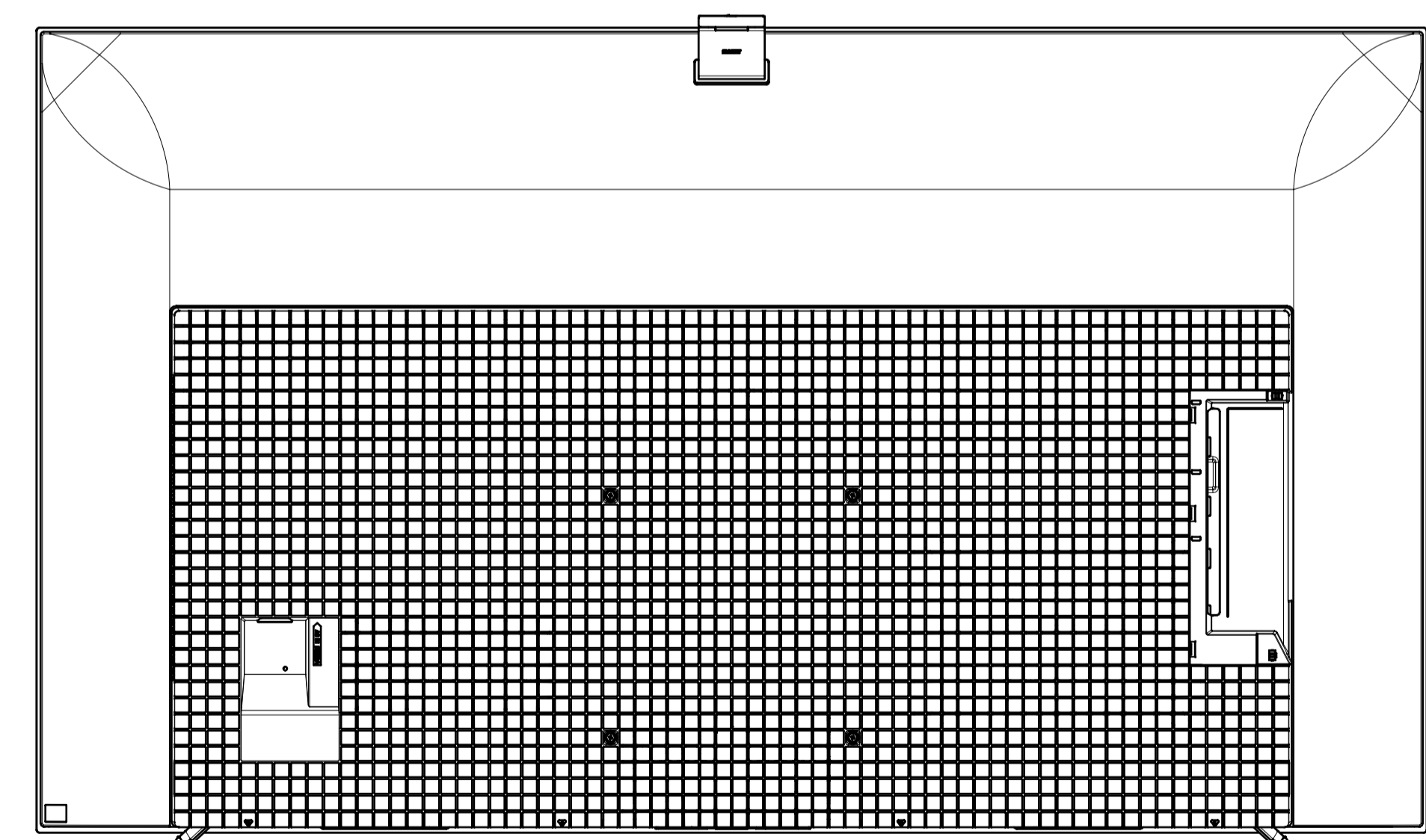
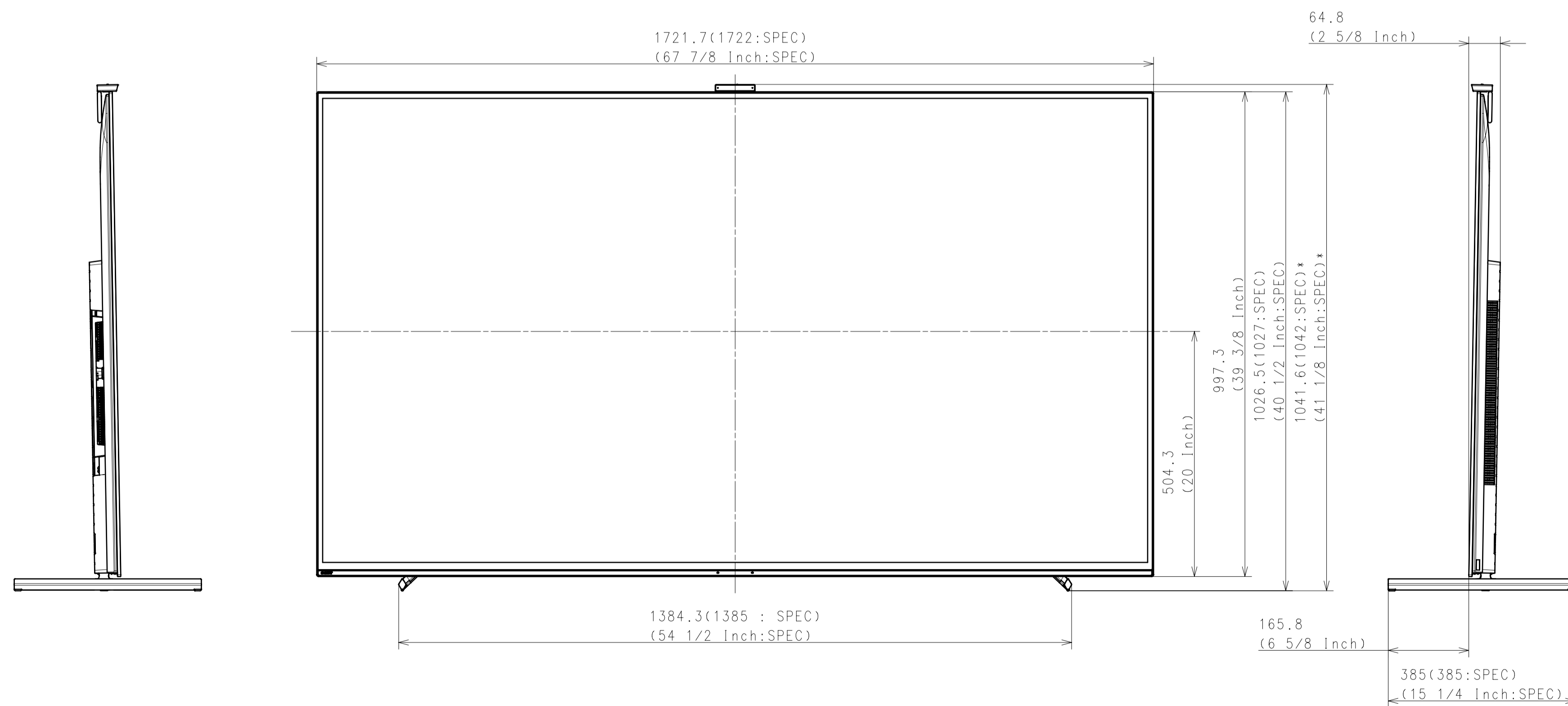
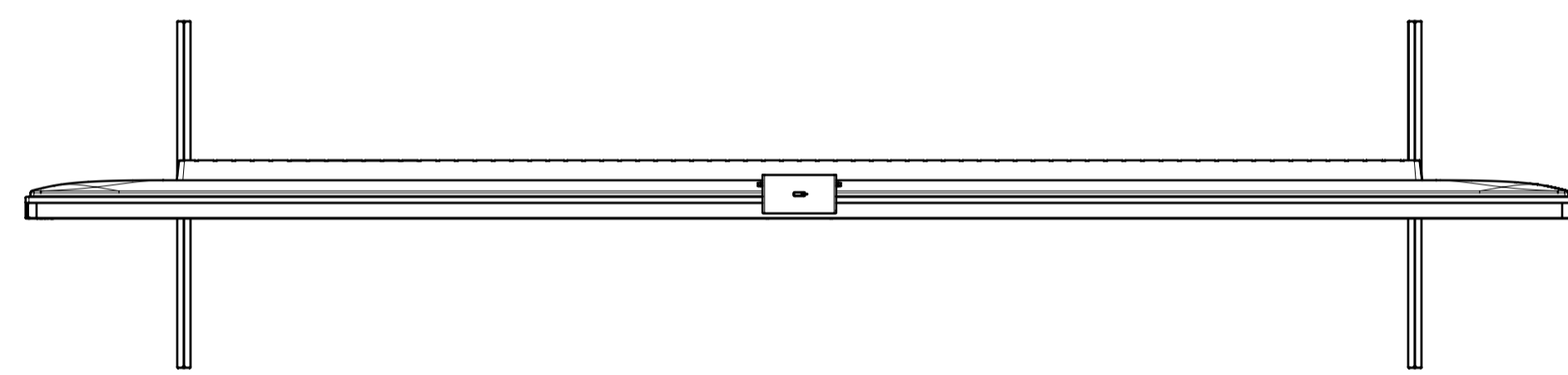


Area		JAPAN	NORTH AMERICA	LATIN AMERICA	EUROPE	GENERAL AREA	CHINA	CHINA DERIVATIVE
Model Name		XRJ-77A80L	XR-77A80L	XR-77A80L	XR-77A80L	XR-77A80L	XR-77A80L	XR-77A80EL
SV No.		SV-41319	SV-41047	SV-41095	SV-41276	SV-41122	SV-41226	SV-41227
DIMENSION	TV only (W x H x D)	172.2 x 99.8 x 5.4 (2.79) cm	1722 x 998 x 54 (27.9) mm / 67 7/8 x 39 3/8 x 2 1/4 (1 1/8) inch	1722 x 998 x 54 (27.9) mm	Approx. 172.2 x 99.8 x 5.4 (2.79) cm	Approx. 1722 x 998 x 54 (27.9) mm	Approx. 1722 x 998 x 54 (27.9) mm	Approx. 1722 x 998 x 54 (27.9) mm
	TV only with camera (W x H x D)	-	-	-	-	-	-	Approx. 1722 x 1013 x 66 (42.8) mm
	TV with Stand (Standard position) (W x H x D)	172.2 x 102.7 x 38.5 cm	1722 x 1024 x 389 mm / 67 7/8 x 40 3/8 x 15 3/8 inch	1722 x 1024 x 389 mm	Approx. 172.2 x 102.7 x 38.5 cm	Approx. 1722 x 1027 x 385 mm	Approx. 1722 x 1027 x 385 mm	Approx. 1722 x 1042 x 385 mm
	TV with Stand (Narrow position) (W x H x D)	172.2 x 102.7 x 38.5 cm	1722 x 1024 x 389 mm / 67 7/8 x 40 3/8 x 15 3/8 inch Δ	1722 x 1024 x 389 mm Δ	Approx. 172.2 x 102.7 x 38.5 cm	Approx. 1722 x 1027 x 385 mm	Approx. 1722 x 1027 x 385 mm	Approx. 1722 x 1042 x 385 mm
	TV with Stand (Soundbar position) (W x H x D)	172.2 x 106.9 x 38.5 cm	1722 x 1066 x 389 mm / 67 7/8 x 42 x 15 3/8 inch Δ	1722 x 1066 x 389 mm Δ	Approx. 172.2 x 106.9 x 38.5 cm	Approx. 1722 x 1069 x 385 mm	Approx. 1722 x 1069 x 385 mm	Approx. 1722 x 1084 x 385 mm
	TV with Stand (Front position style) (W x H x D)	-	-	-	-	-	-	-
	TV with Stand (Back position style) (W x H x D)	-	-	-	-	-	-	-
	TV with Floor Stand (W x H x D)	-	-	-	-	-	-	-
	Stand Width (Standard position)	138.5 cm	1409 mm / 55 1/2 inch Δ	1409 mm Δ	Approx. 138.5 cm	Approx. 1385 mm	Approx. 1385 mm	Approx. 1385 mm
	Stand Width (Narrow position)	59.5 cm	619 mm / 24 3/8 inch	619 mm	Approx. 59.5 cm	Approx. 595 mm	Approx. 595 mm	Approx. 595 mm
	Stand Width (Soundbar position)	138.5 cm	1409 mm / 55 1/2 inch Δ	1409 mm Δ	Approx. 138.5 cm	Approx. 1385 mm	Approx. 1385 mm	Approx. 1385 mm
	Stand Width (Front position style)	-	-	-	-	-	-	-
	Stand Width (Back position style)	-	-	-	-	-	-	-
	Floor Stand Width	-	-	-	-	-	-	-
	VESA Hole Pitch	30.0 x 30.0 cm	300 x 300 mm / 11 7/8 x 11 7/8 inch	300 x 300 mm	30.0 x 30.0 cm	300 x 300 mm	300 x 300 mm	300 x 300 mm
WEIGHT	TV Only	34.8 kg	34.8 kg / 76.7 lb	34.8 kg	Approx. 34.8 kg	Approx. 34.8 kg	Approx. 34.8 kg	Approx. 34.8 kg
	TV with Stand (Standard position)	36 kg	37 kg / 81.5 lb	37 kg	Approx. 36 kg	Approx. 36 kg	Approx. 36 kg	Approx. 36.1 kg
	TV with Stand (Narrow position)	36 kg	37 kg / 81.5 lb	37 kg	Approx. 36 kg	Approx. 36 kg	Approx. 36 kg	Approx. 36.1 kg
	TV with Stand (Soundbar position)	36 kg	37 kg / 81.5 lb	37 kg	Approx. 36 kg	Approx. 36 kg	Approx. 36 kg	Approx. 36.1 kg
	TV with Stand (Front/Back position style)	-	-	-	-	-	-	-
	TV with Floor Stand	-	-	-	-	-	-	-
	Floor Stand weight (Supply)	-	-	-	-	-	-	-
	W-M't Br. Weight (Supply)	-	-	-	-	-	-	-
Remarks		3way	3way	3way	3way	3way	3way	3way

WITH STAND
STANDARD POSITION
FOR ALL EXCEPT LA/NA



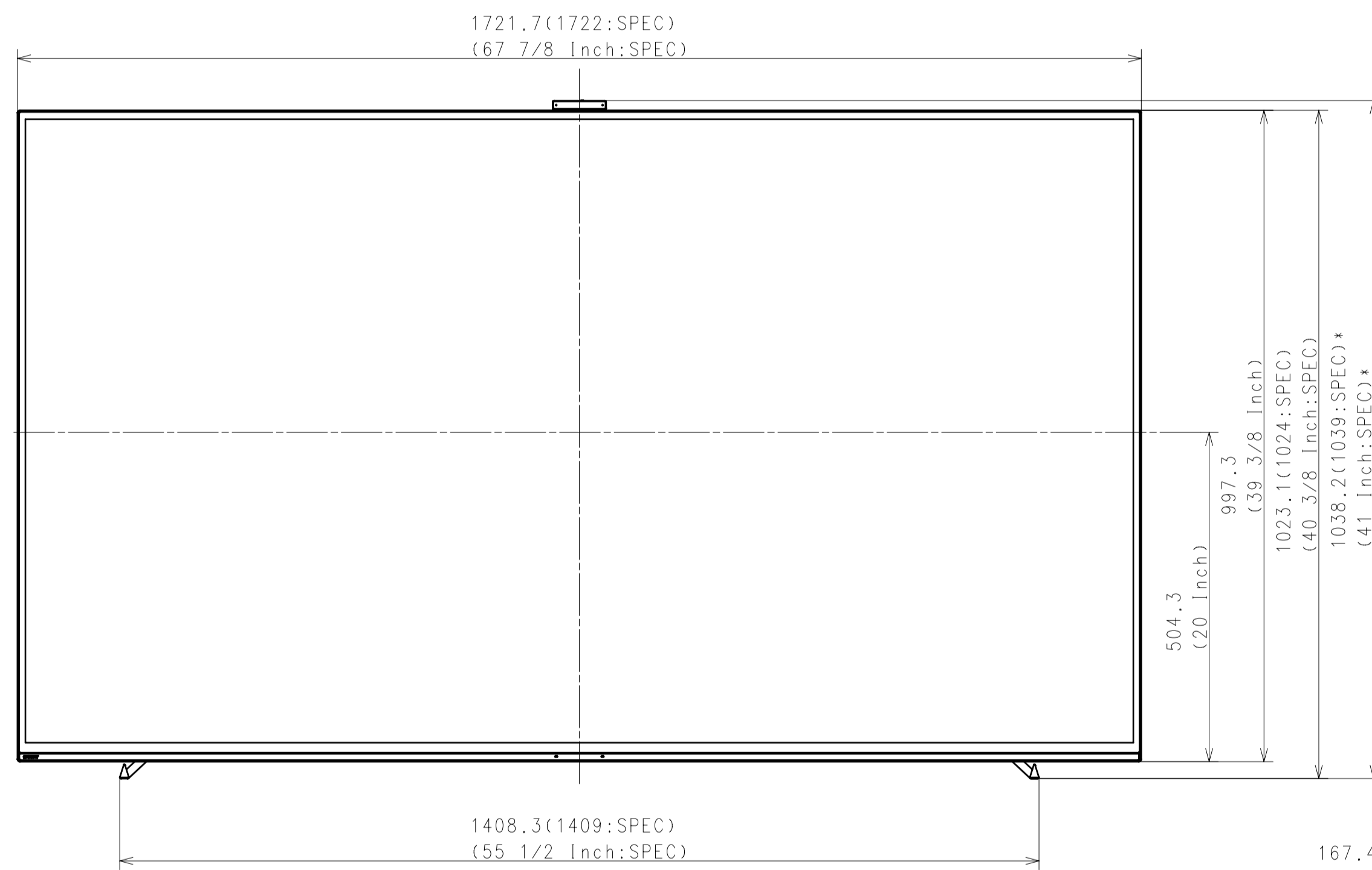
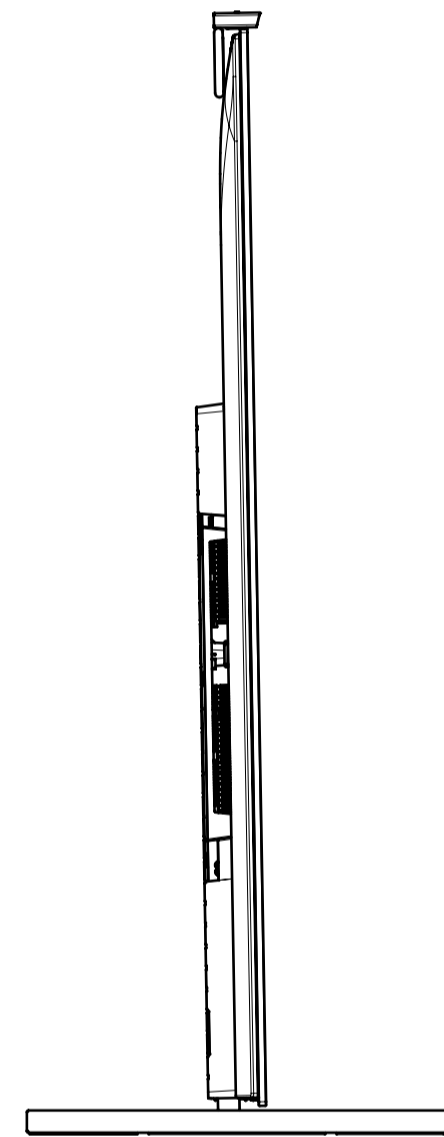
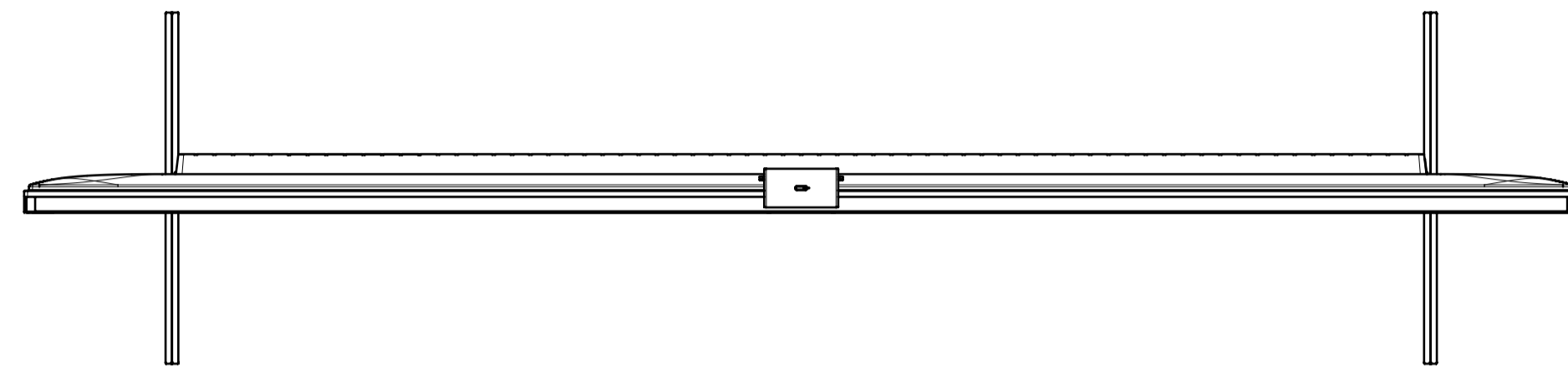
Remark:
MARKING WITH **
THE CAMERA IS BUNDLED FOR A80EL ONLY AND IS SOLD SEPARATELY IN OTHER REGIONS.
カメラはA80ELのみ同梱されており、他のモデルは別売のりになります。

Purchase recycled resins and wire rods only from the business partners that Sony approves as Green Partners.
再生樹脂・銅線はグリーンパートナー認定受入先から調達してください。

GENERAL TOLERANCE 4<LS 1500-15 16<LS 6000-7 18<LS 25000-3 25<LS 40000-5 40<LS 100000-8 1000<LS 200000-2 2000<LS 400000-5	S.T.S.-1 DATE OF ISSUE 2022.11.08	DOCUMENT TYPE PART DRAWING	MATERIAL COLOR (JIS 5 000150 0015)	FINISH COLOR
HISTORY X COUNT SUFFIX AREA NO. RELEASE NO. DATE REVISION SIGN.	RESPONSIBLE DEPARTMENT 77 (A80L) EXTERIOR VIEW	TENTATIVE MODEL 77 (A80L) EXTERIOR VIEW	ORIGINAL MODEL 77 (A80L) EXTERIOR VIEW	DESCRIPTION 77 (A80L) EXTERIOR VIEW
SONY CORPORATION PLANNED BY 2022.11.08 RUSYAD1 DRAWN BY 2022.11.08 RUSYAD1	CHECKED BY APPROVED BY SCALE 1:7 PREL. METHOD A1 UNIT mm	PART NO. SUFFIX REV. NO. SHEET/PAGES 1/7	ORIGINAL MODEL 77 (A80L) EXTERIOR VIEW	DESCRIPTION 77 (A80L) EXTERIOR VIEW

WITH STAND

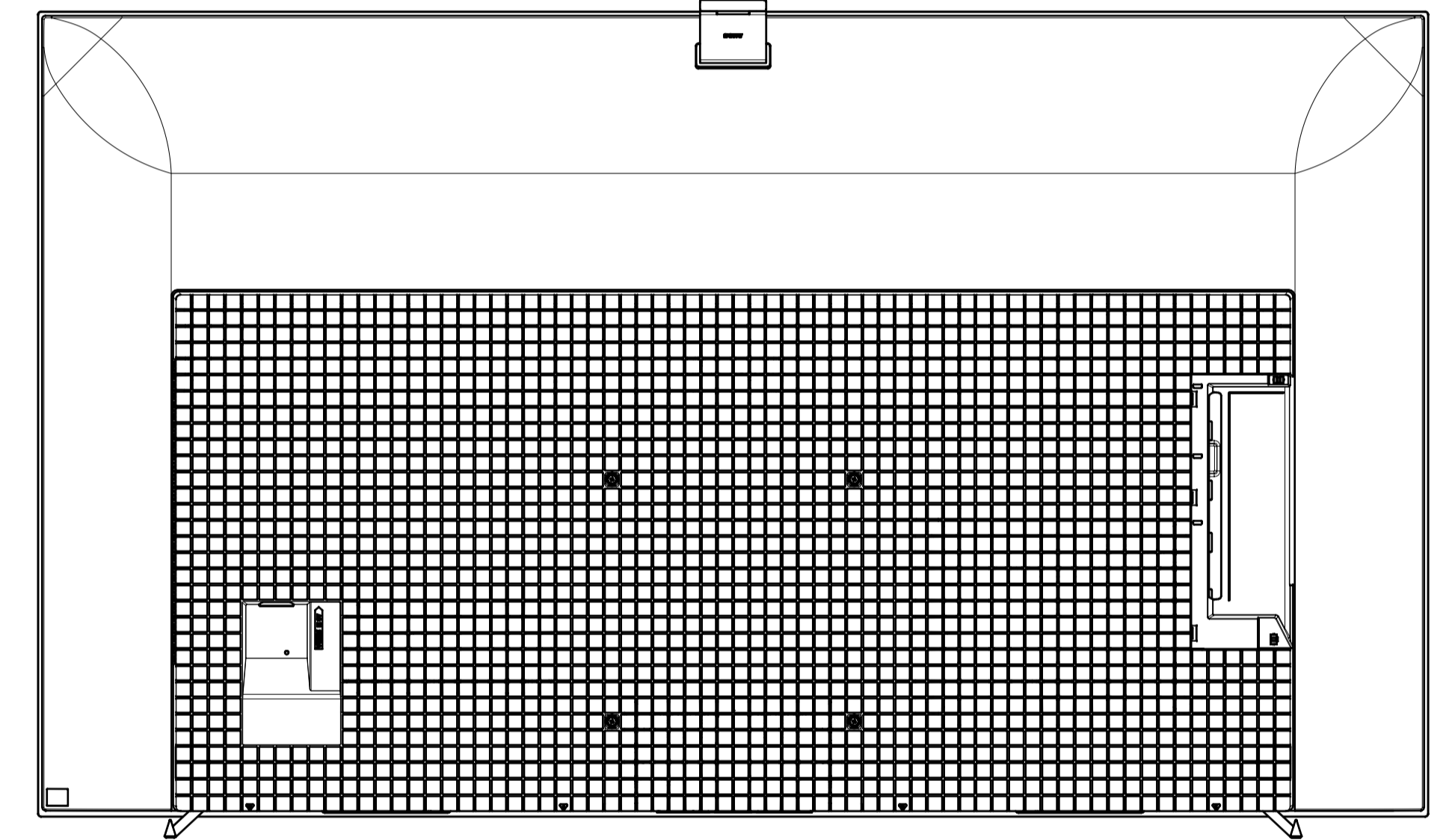
STANDARD POSITION
FOR LA/NA ONLY



64.8
(2 5/8 Inch)

167.4
(6 5/8 Inch)

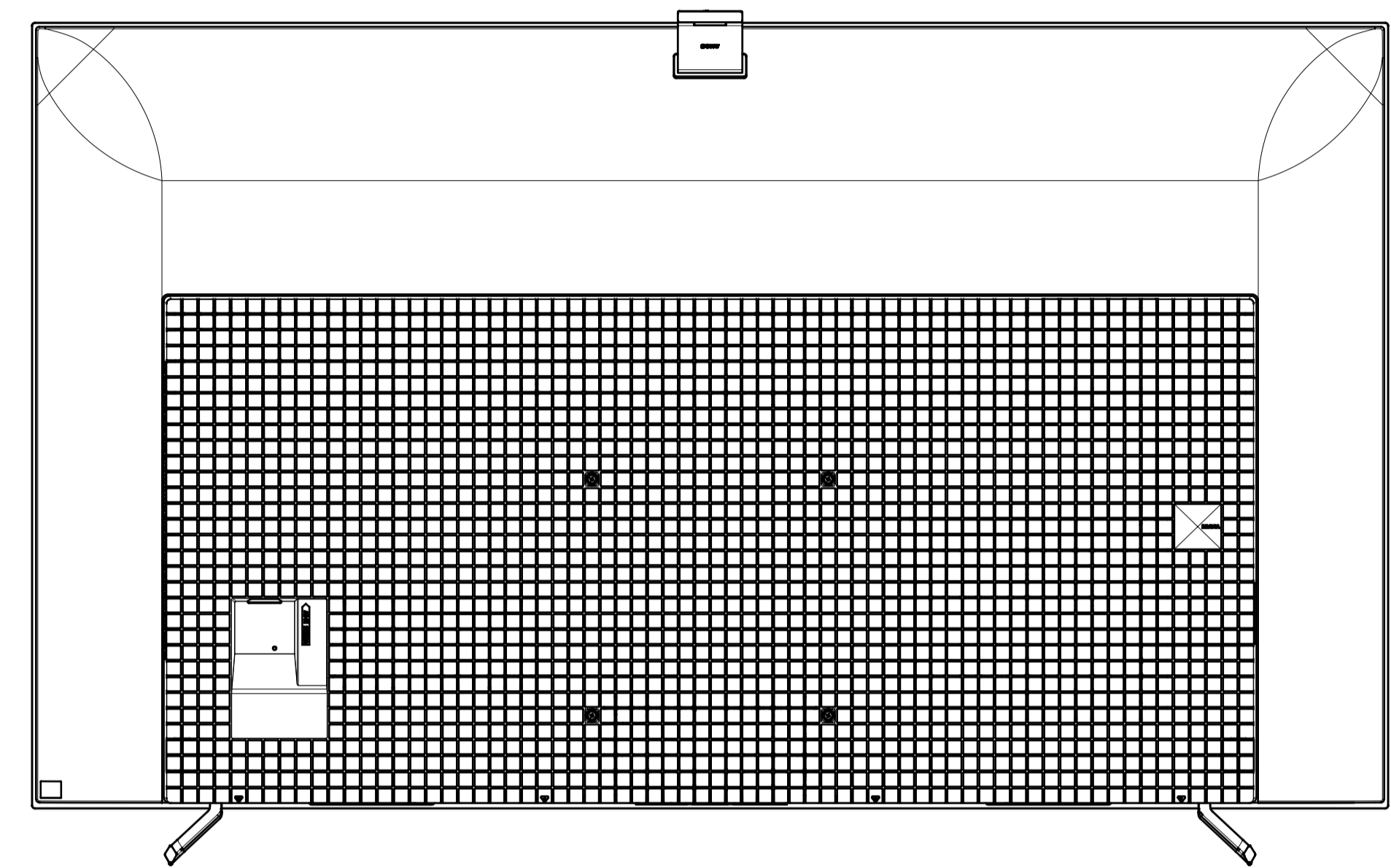
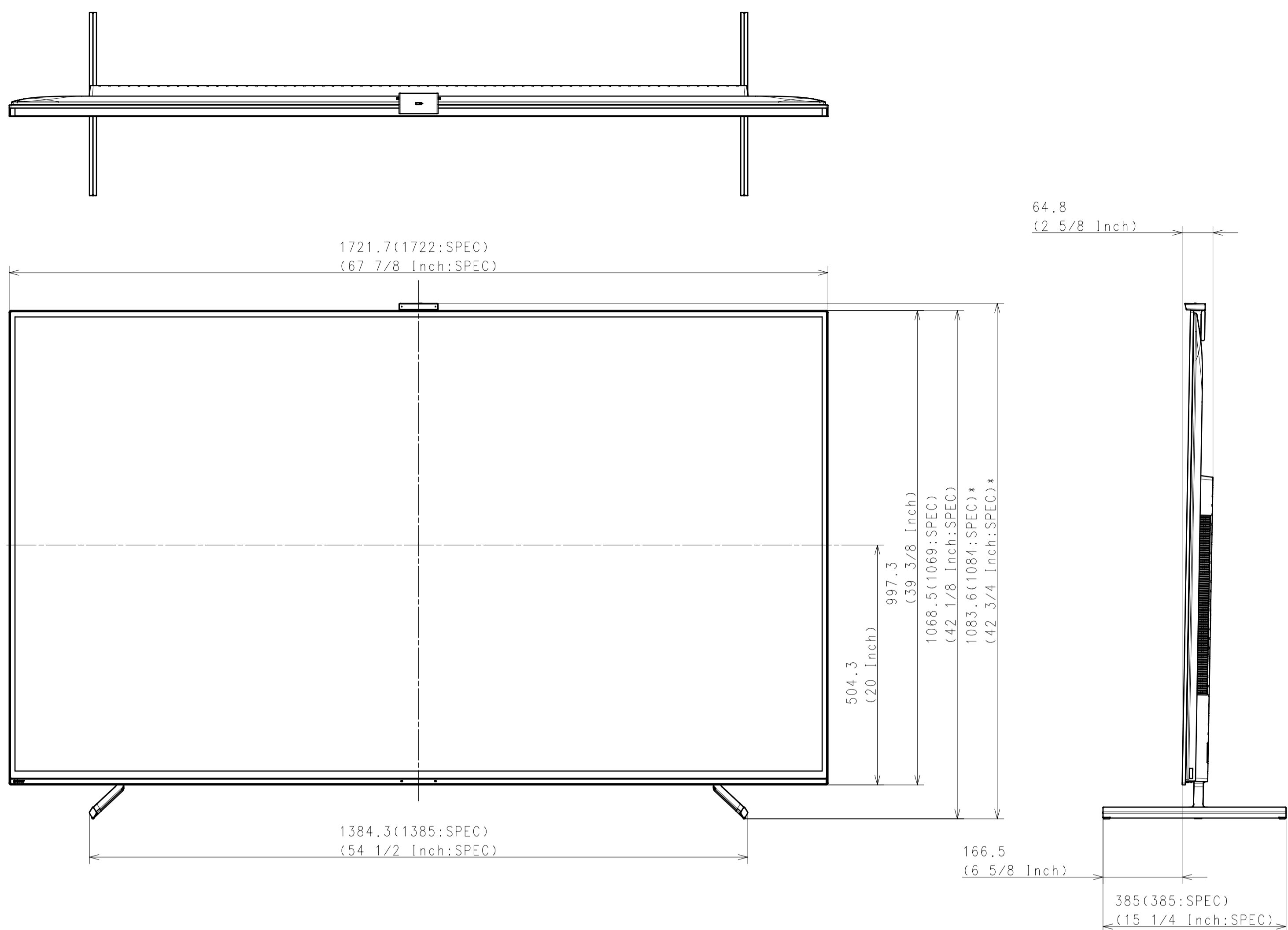
389 (389:SPEC)
(15 3/8 Inch:SPEC)



DESCRIPTION	LEGAL OWNER	SCALE
77 (A80L) EXTERIOR VIEW	Sony Corporation	1:7
DESCRIPTION	PART NO.	SHEET/PAGES
77 (A80L) EXTERIOR VIEW		2 / 7

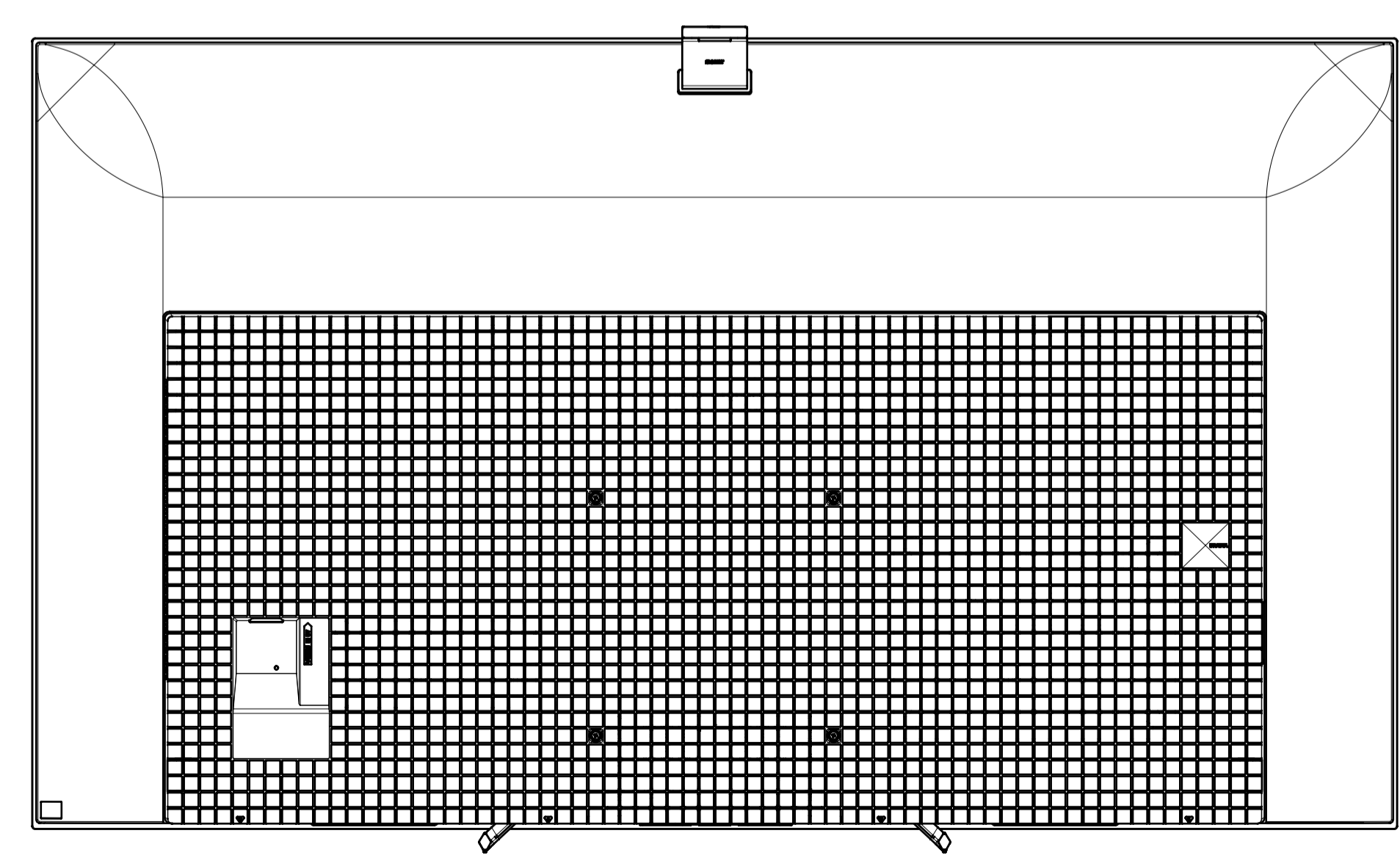
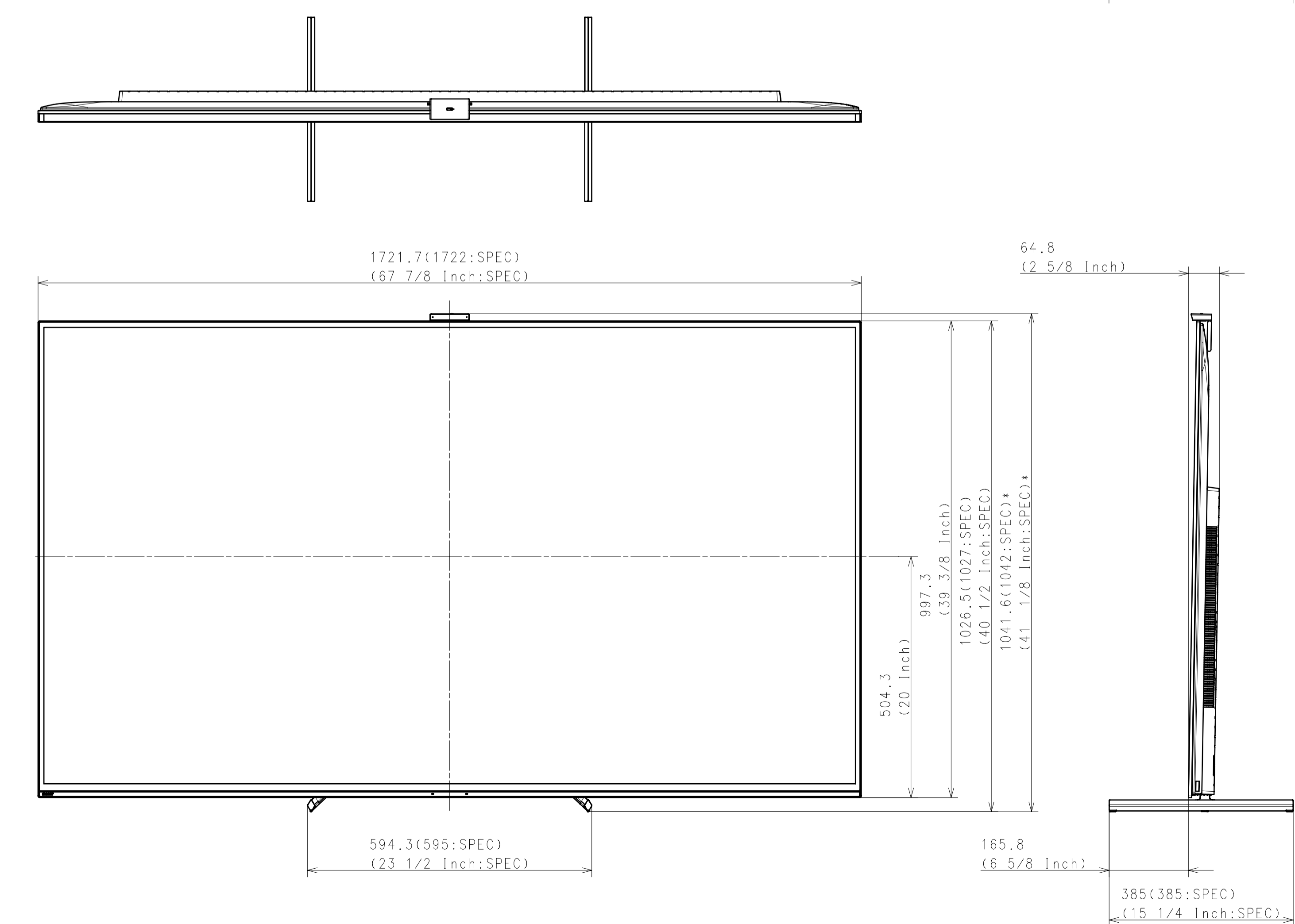
WITH STAND

SOUND BAR POSITION FOR ALL EXCEPT LA/NA



WITH STAND

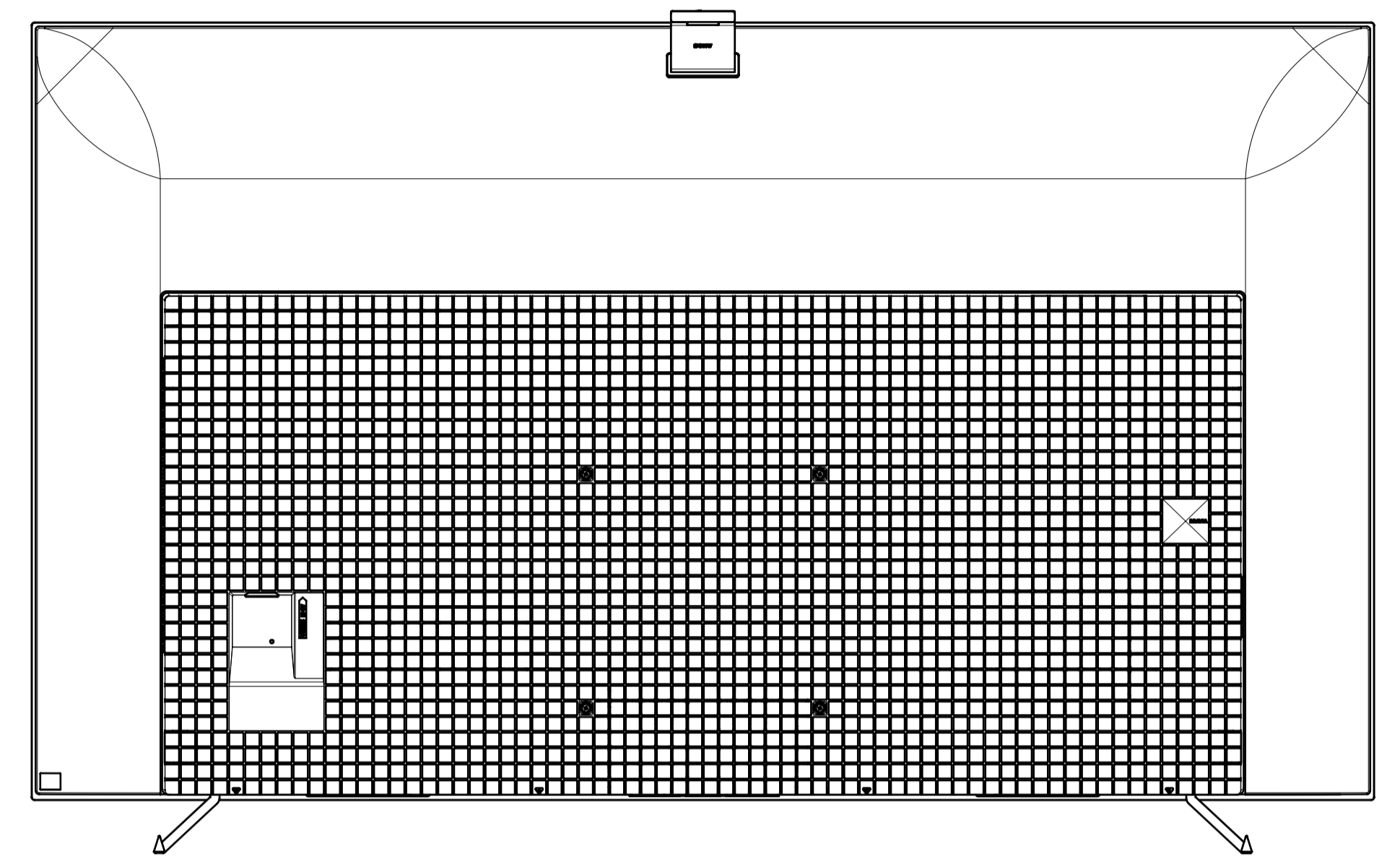
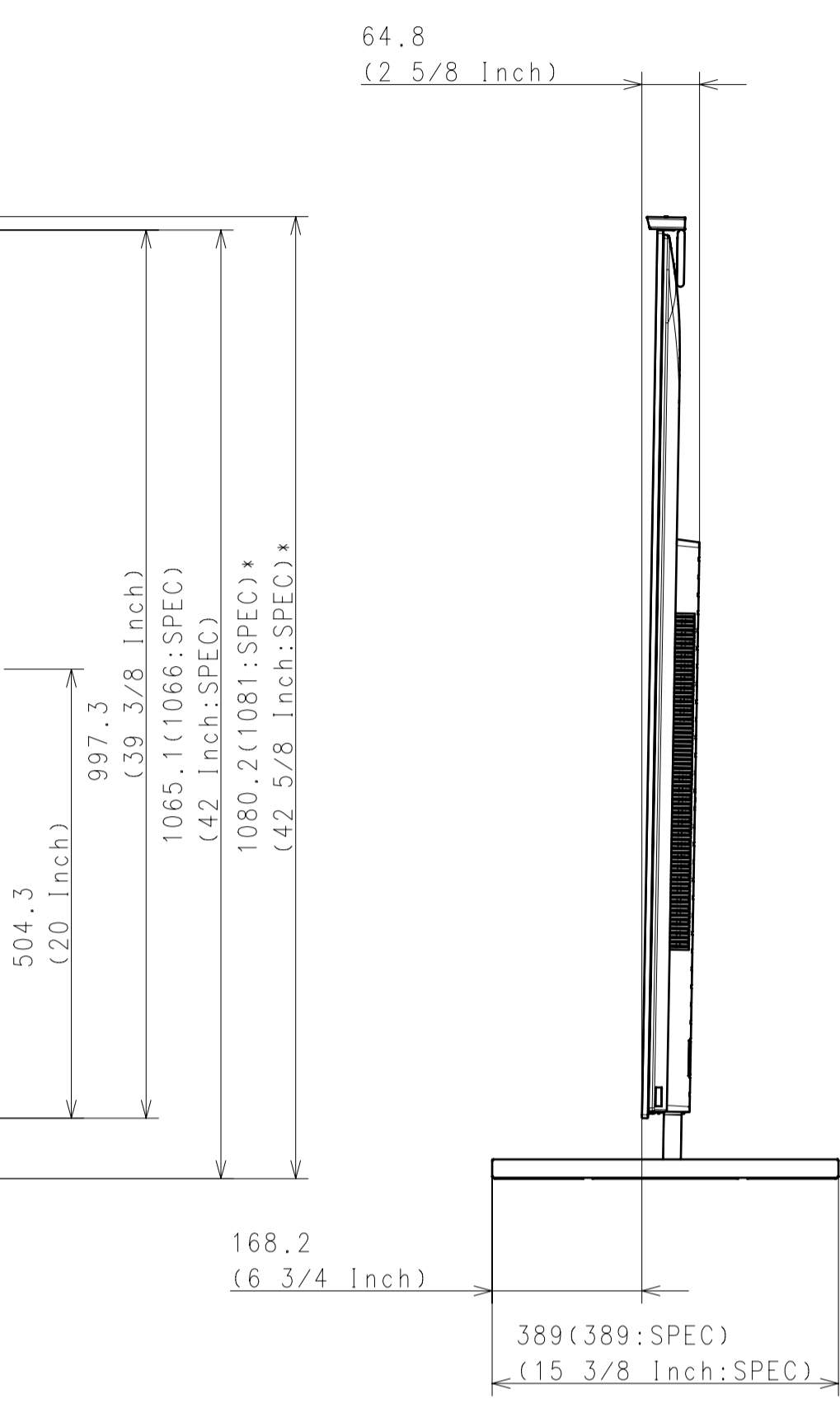
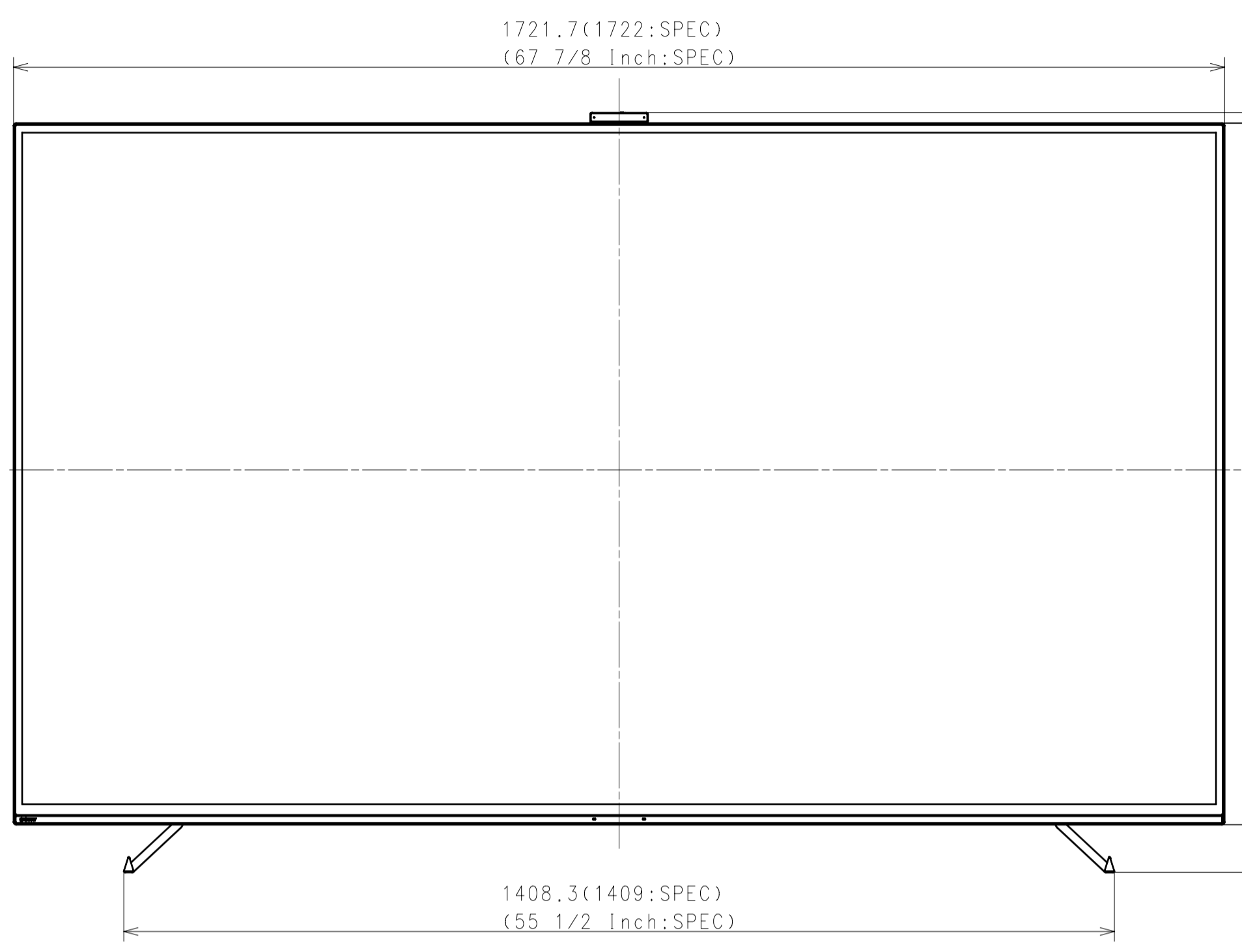
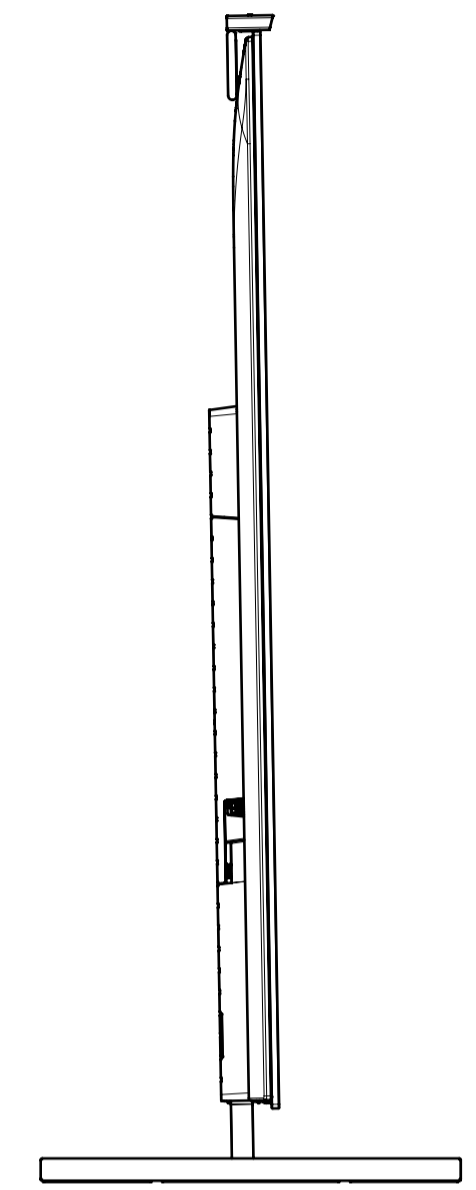
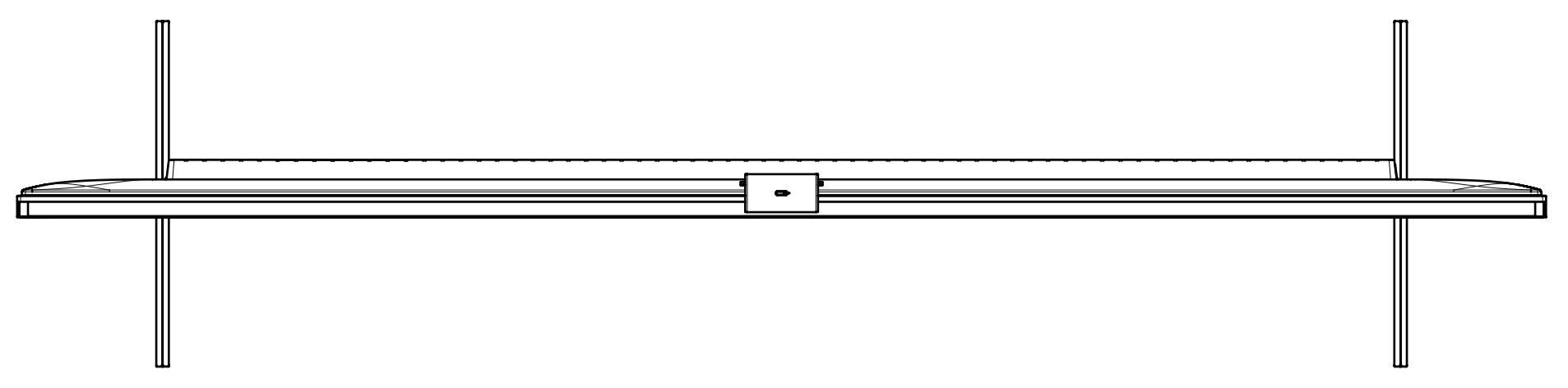
NARROW POSITION FOR ALL EXCEPT LA/NA



DESCRIPTION:	LEGAL OWNER:	SCALE:
77 (A80L) EXTERIOR VIEW	Sony Corporation	1:7
DESCRIPTION:	PART NO.:	SHEET/PAGES:
77 (A80L) EXTERIOR VIEW		3 / 7

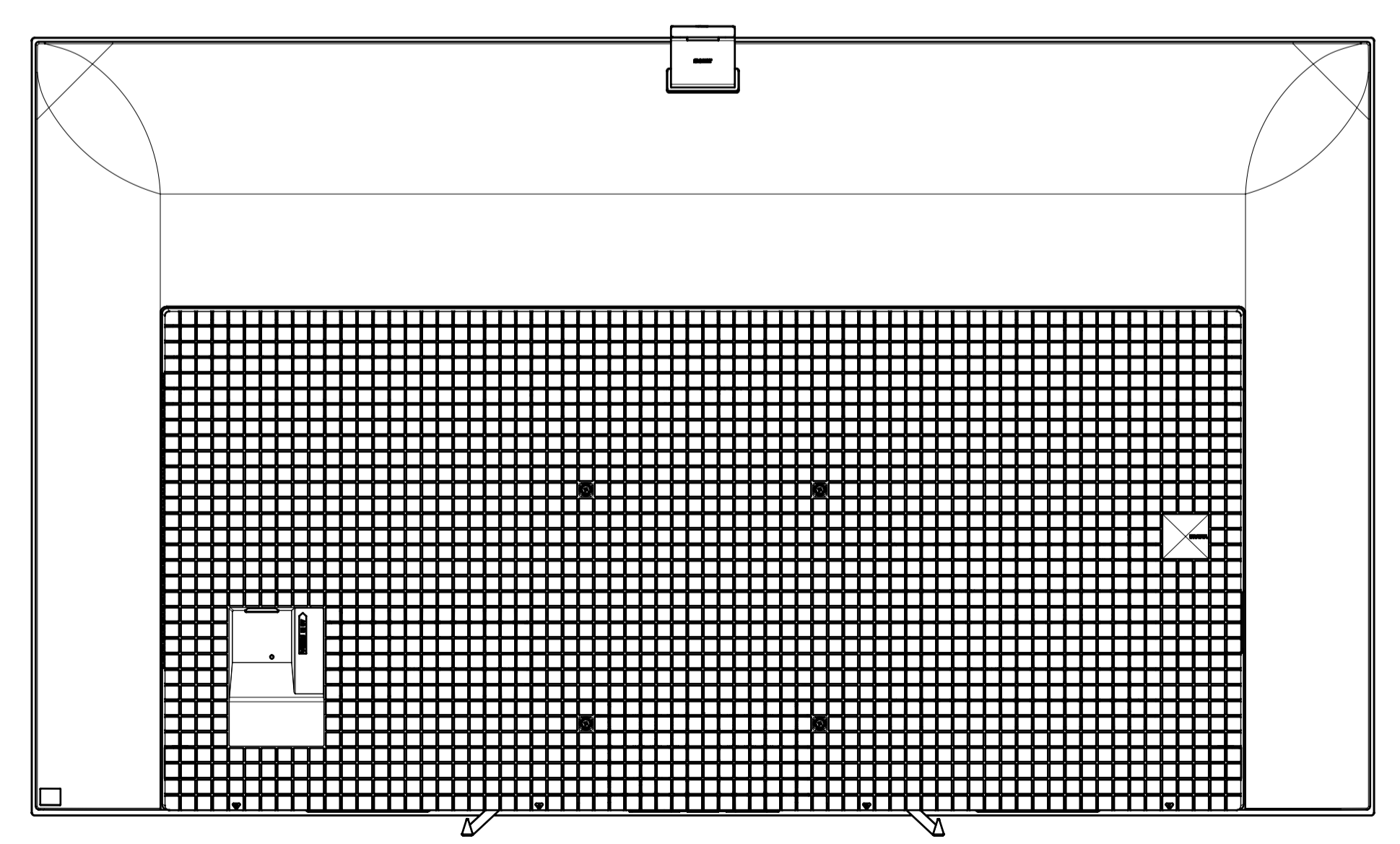
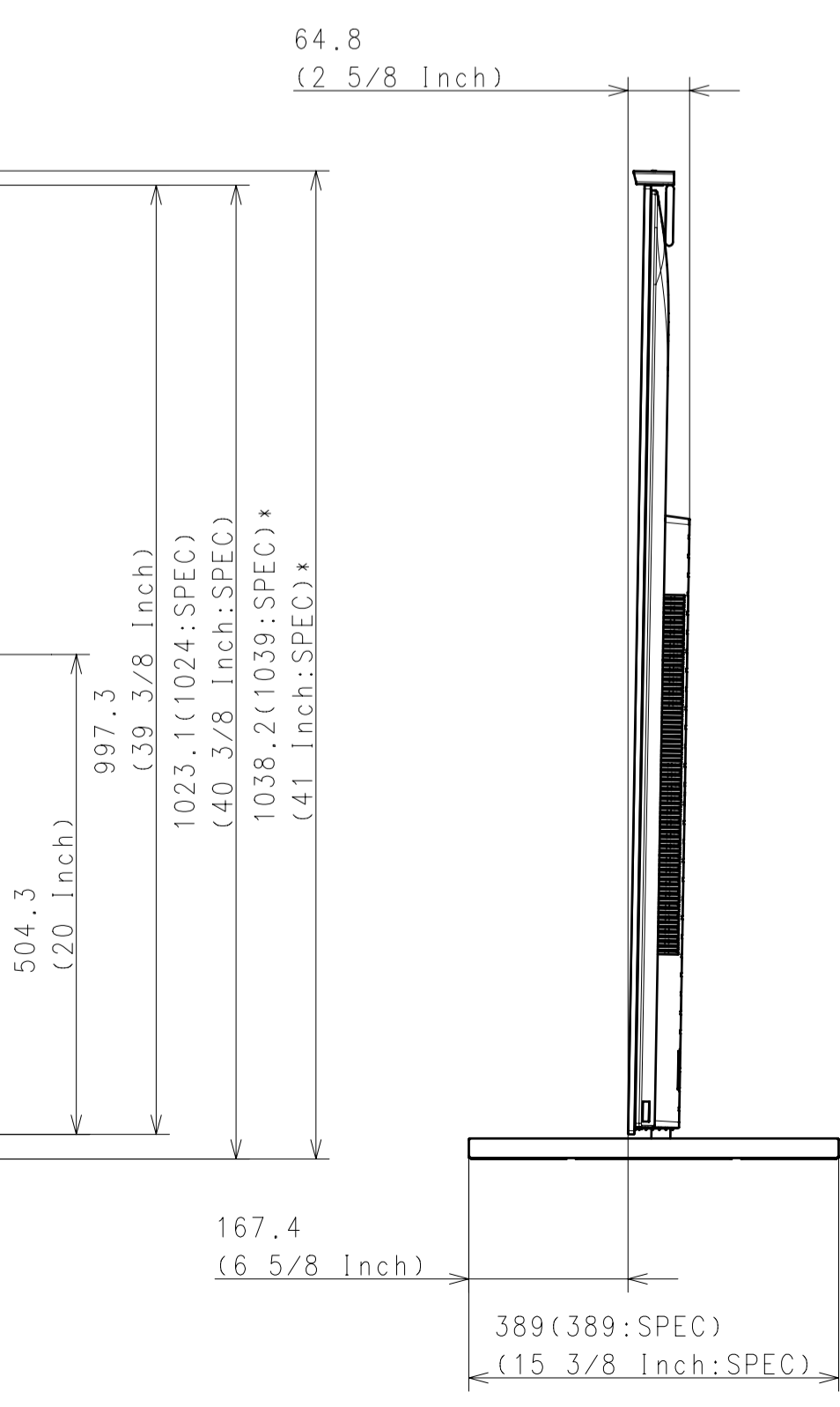
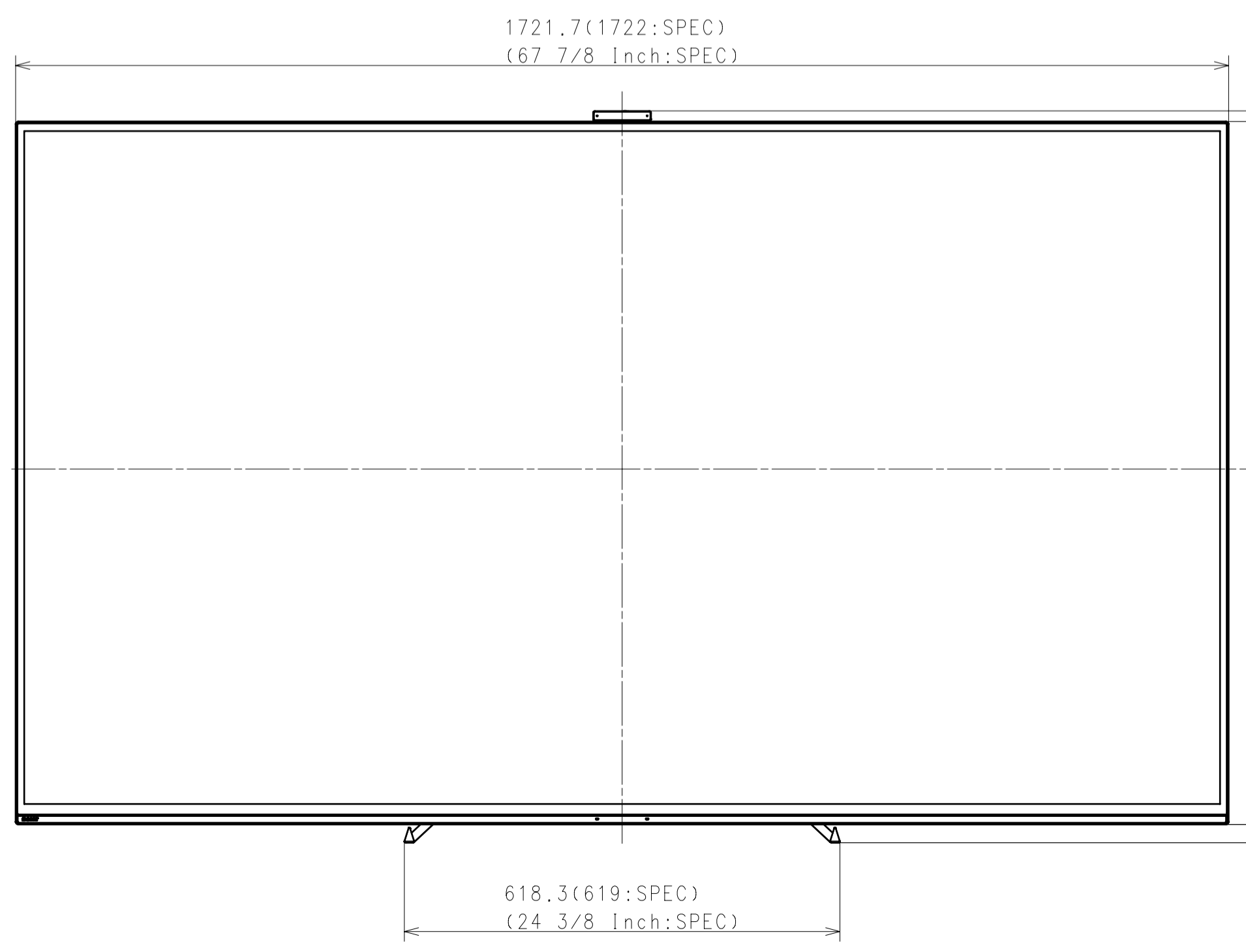
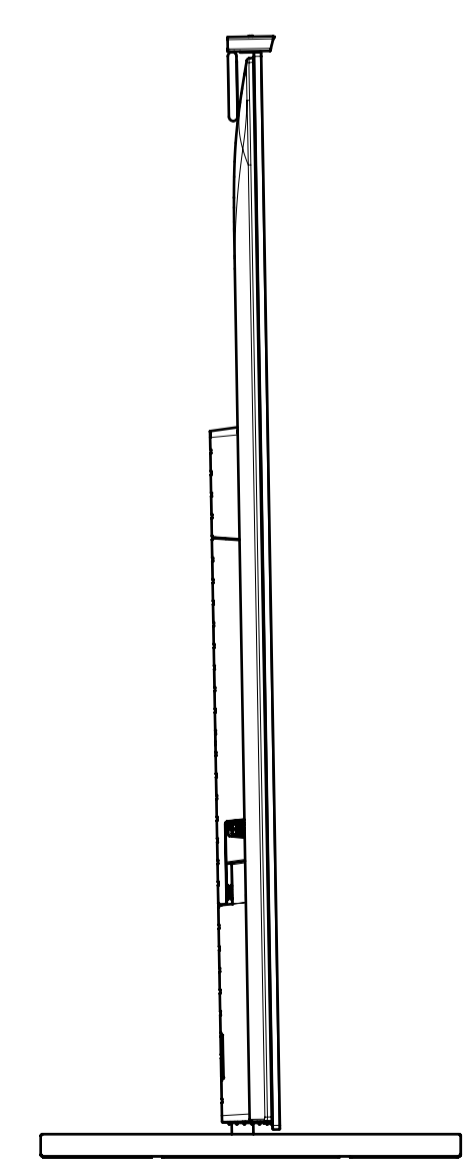
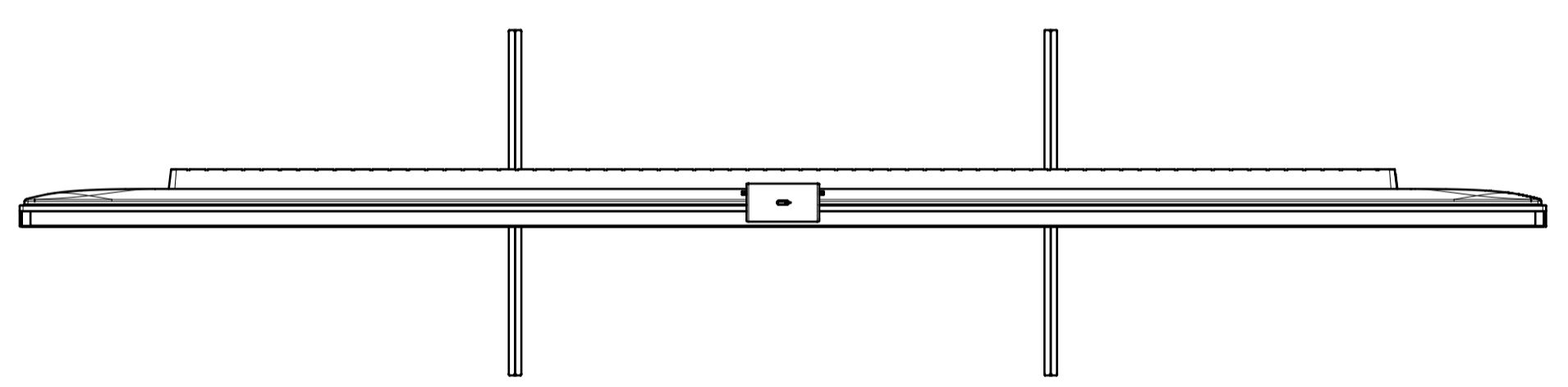
WITH STAND

SOUND BAR POSITION FOR LA/NA ONLY



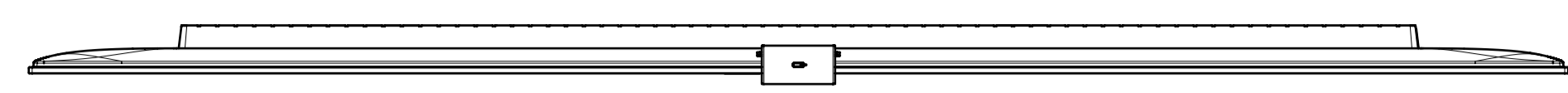
WITH STAND

NARROW POSITION FOR LA/NA ONLY



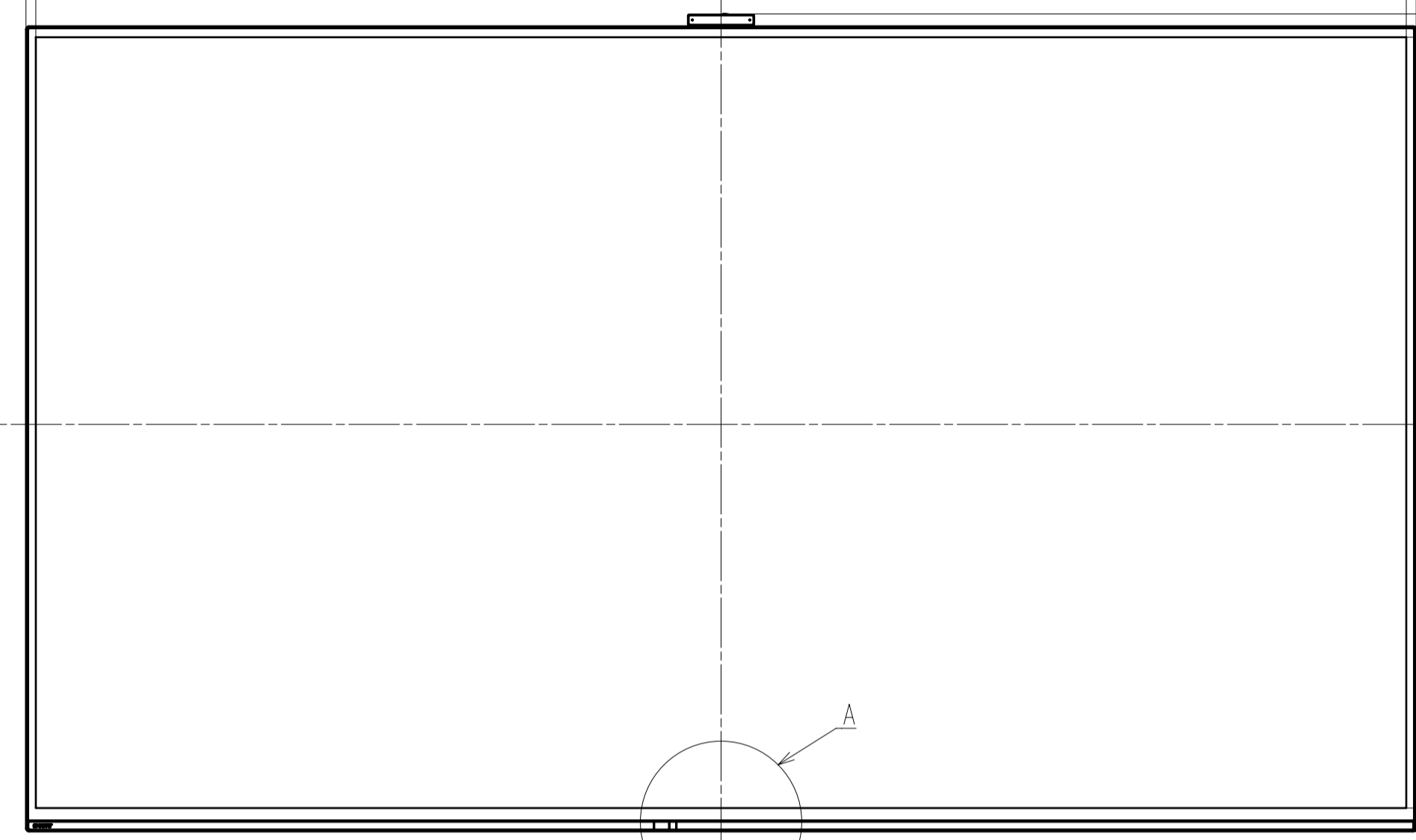
DESCRIPTION 1	LEGAL OWNER	SCALE
77 (A80L) EXTERIOR VIEW	Sony Corporation	1:7
DESCRIPTION 2	PART NO.	SHEET/PAGES
77 (A80L) EXTERIOR VIEW		4 / 7

WITHOUT STAND

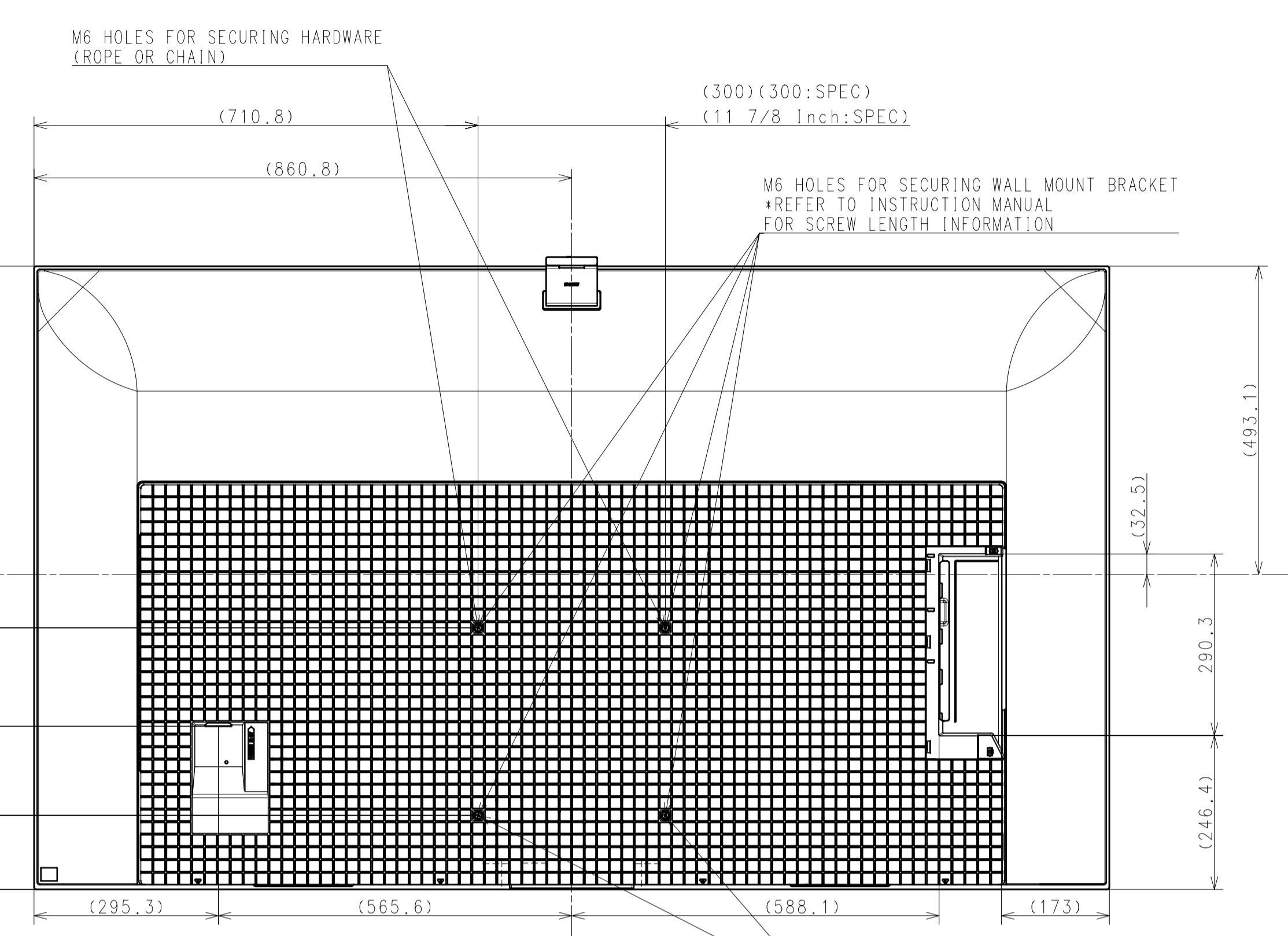


1721.7(1722:SPEC)
(67 7/8 Inch:SPEC)
1697.3
(66 7/8 Inch)

27.9(28:SPEC)
(1 1/8 Inch:SPEC)
53.5(54:SPEC)
(2 1/4 Inch:SPEC)
65.4(66:SPEC)*
(2 5/8 Inch:SPEC)*
42.8(43:SPEC)*
(1 3/4 Inch:SPEC)*

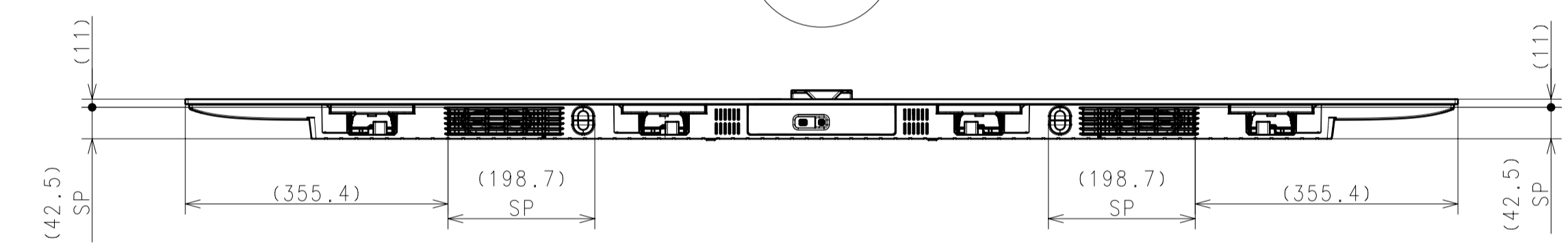


504.3
(20 Inch)
954.7
(37 5/8 Inch)
997.3(998:SPEC)
39 3/8 Inch:SPEC)
1012.5(1013:SPEC)*
(40 Inch:SPEC)*

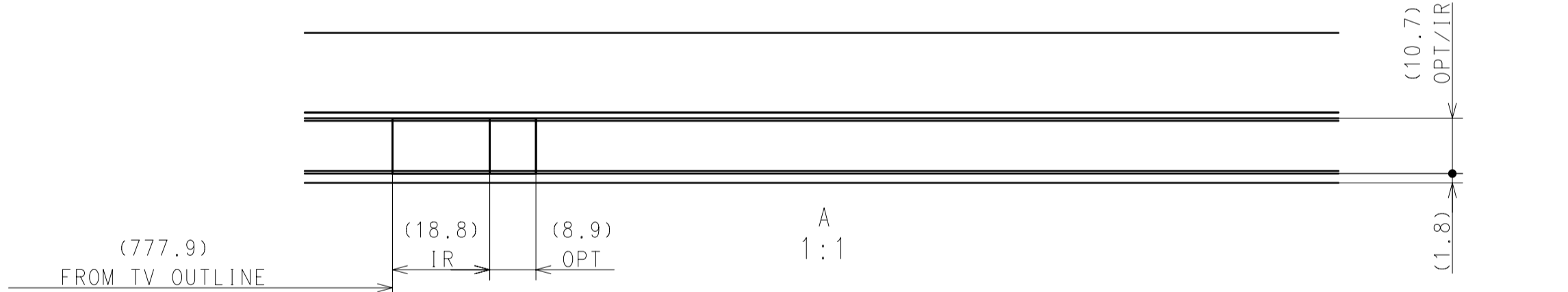


M6 HOLES FOR SECURING HARDWARE
(ROPE OR CHAIN)
(710.8)
(860.8)
(300)(300:SPEC)
(11 7/8 Inch:SPEC)
M6 HOLES FOR SECURING WALL MOUNT BRACKET
*REFER TO INSTRUCTION MANUAL
FOR SCREW LENGTH INFORMATION
(493.1)
(32.5)
290.3
(246.4)
M6 HOLES FOR SECURING HARDWARE
(BELT)
(578.7)
(85.6)
(3 1/2 Inch)
(157.5)
300(300:SPEC)
(11 7/8 Inch:SPEC)
(118.6)
(261.1)
(295.3)
(565.6)
(588.1)
(173)

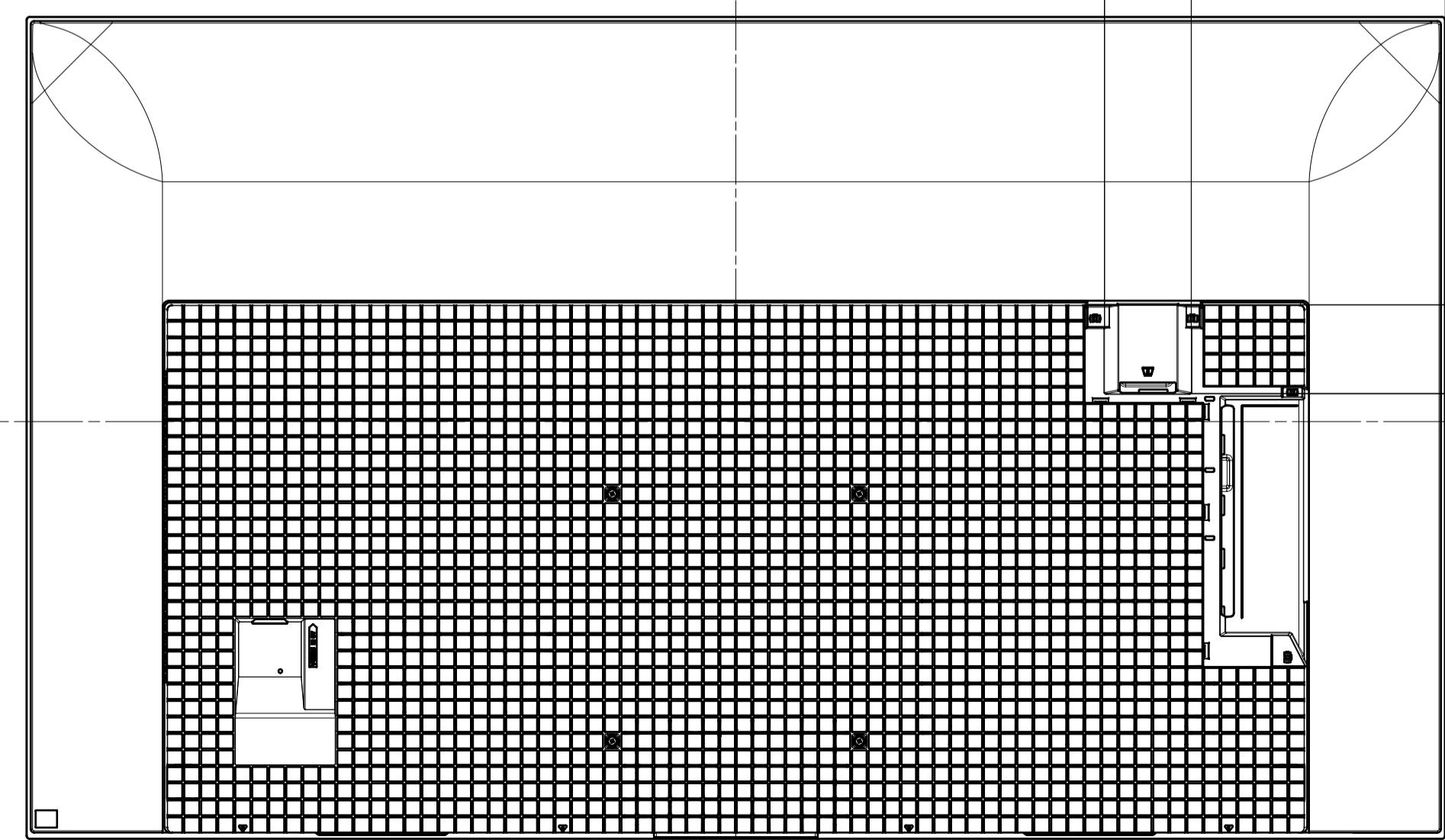
FOR CHINA DERI



(42.5) SP (111) (355.4) (198.7) SP (198.7) SP (355.4) (42.5) SP



(10.7) OPT/IR
(18.8) IR (8.9) OPT
A
1:1
(777.9) FROM TV OUTLINE
(447.5) (105.3) (308.1)
(1.8)



FOR EUROPE



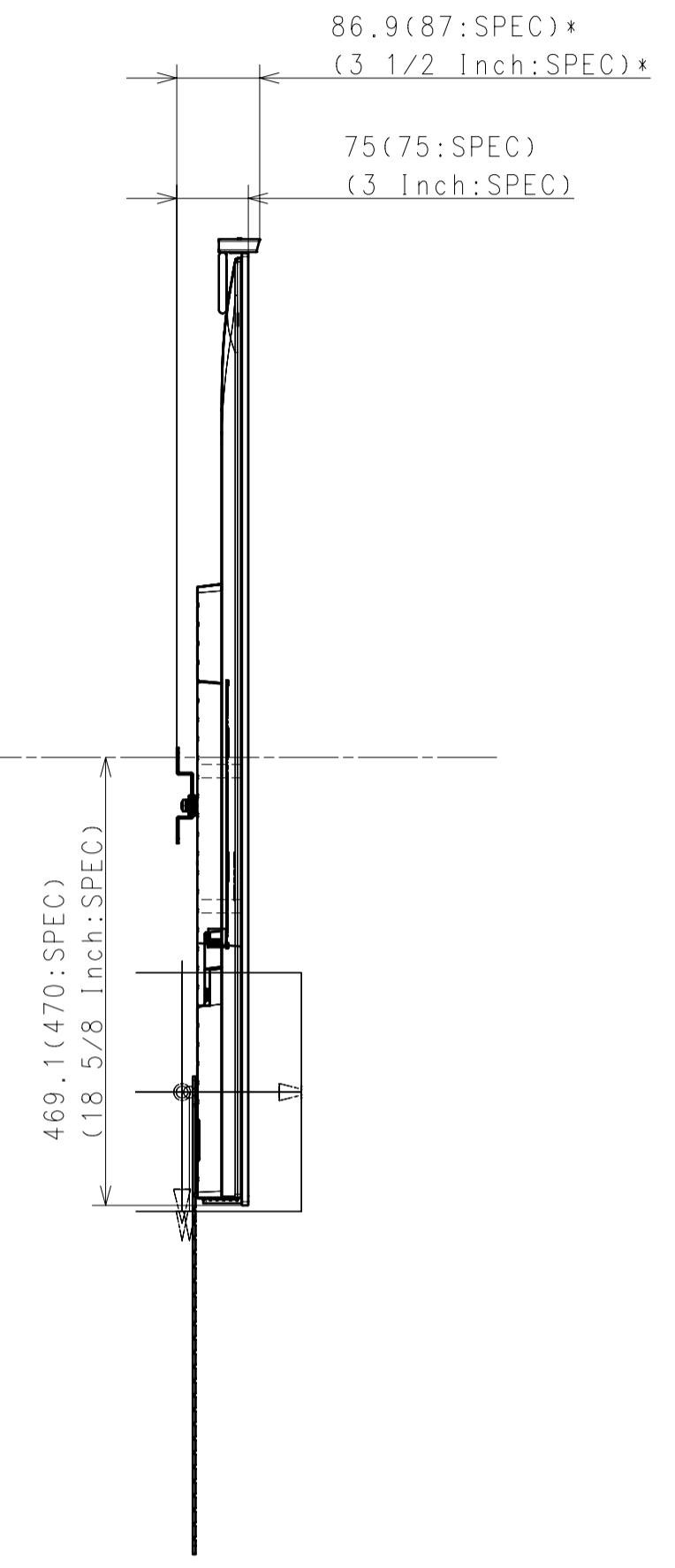
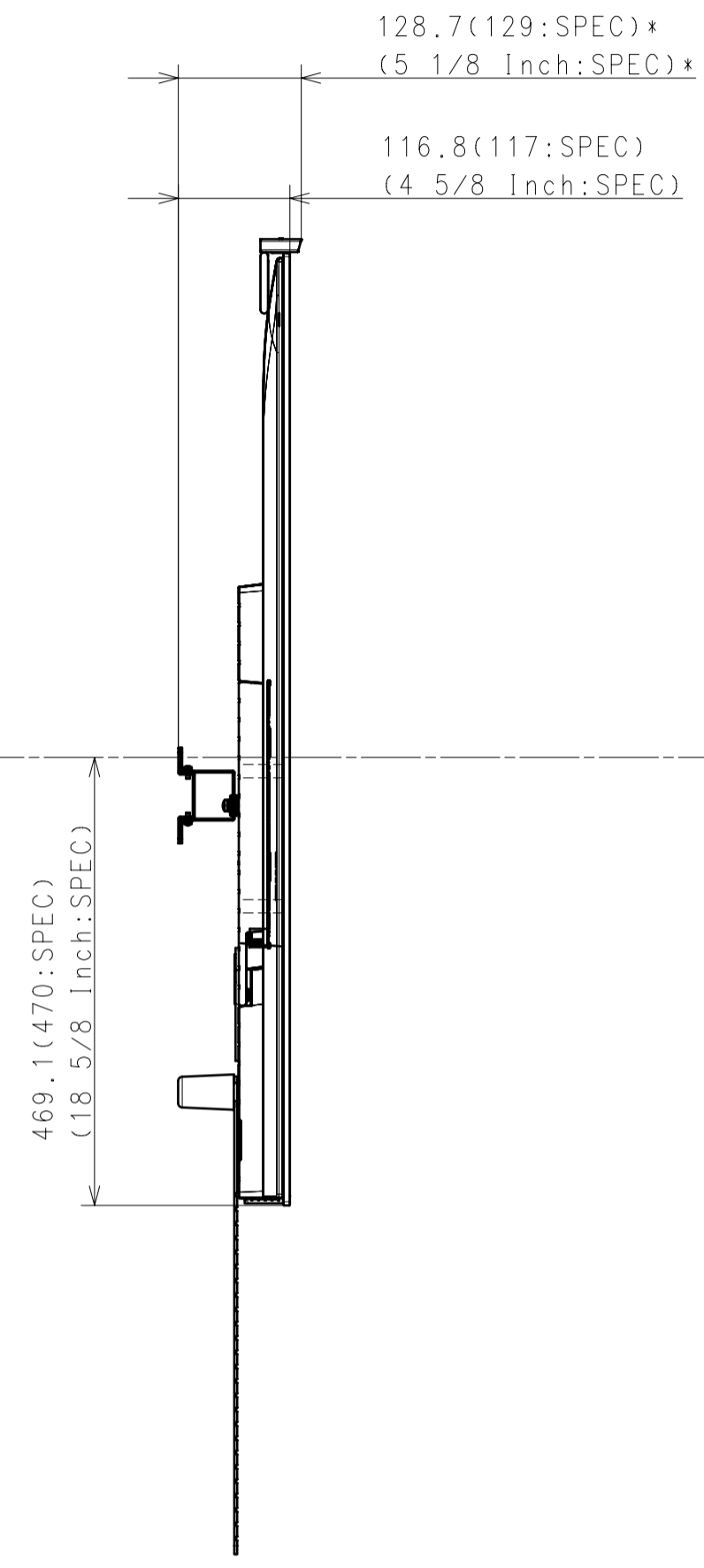
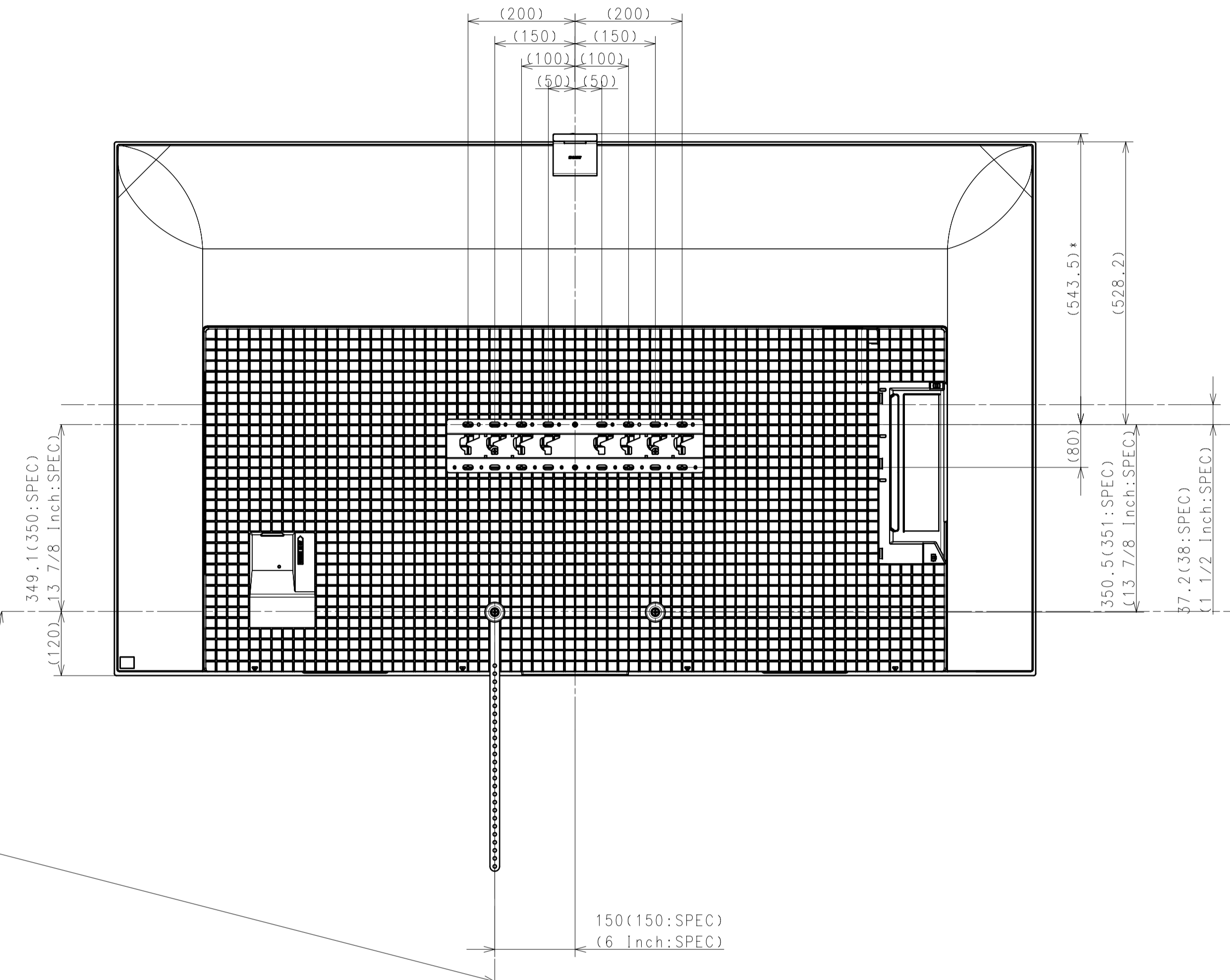
FOR GENERAL AREA / CHINA

DESCRIPTION	77 (A80L) EXTERIOR VIEW	LEGAL OWNER	Sony Corporation	SCALE	1:7
DESCRIPTION	77 (A80L) EXTERIOR VIEW	PART NO.		SHEET/PAGES	5/7

SU-WL450

STANDARD

SLIM



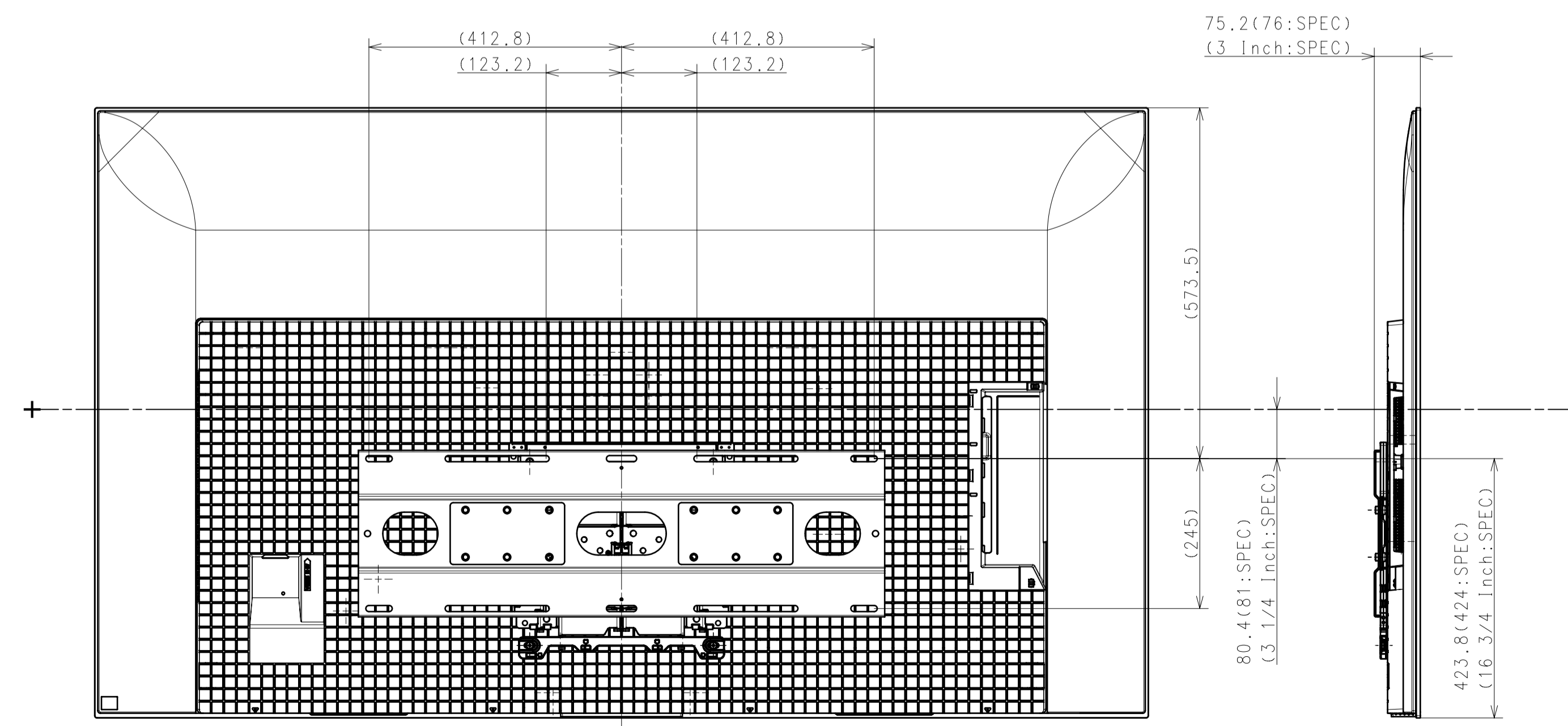
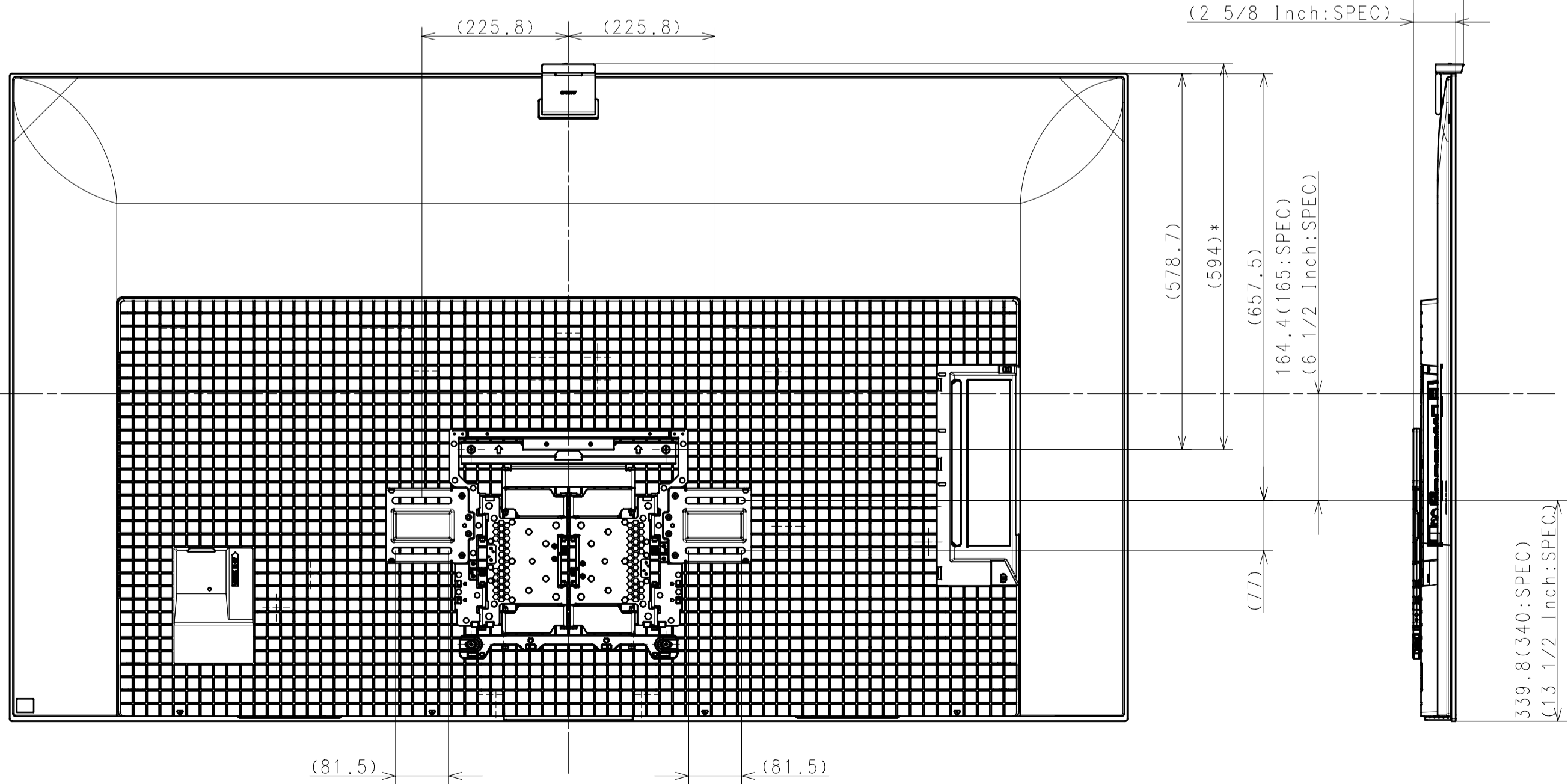
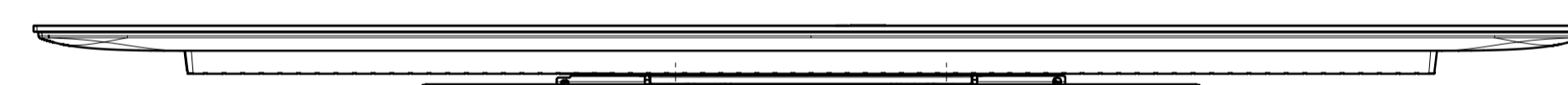
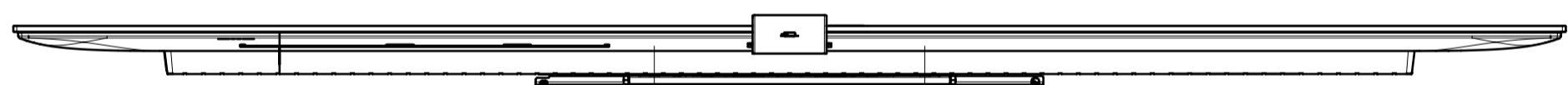
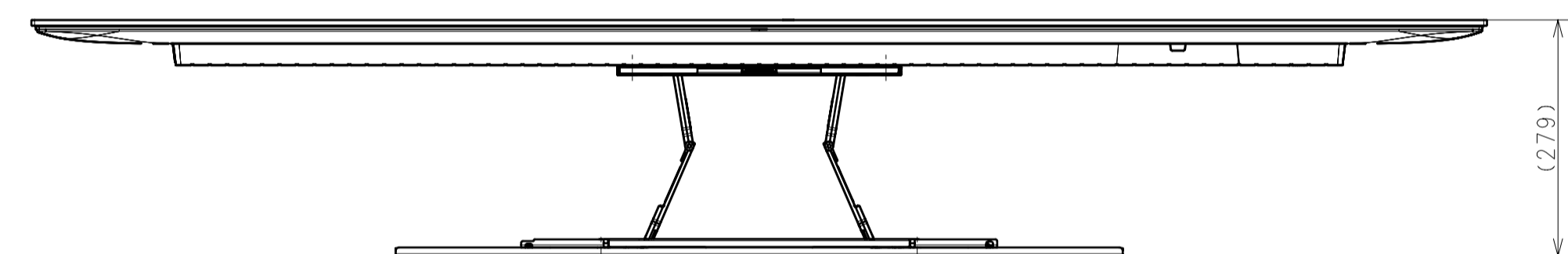
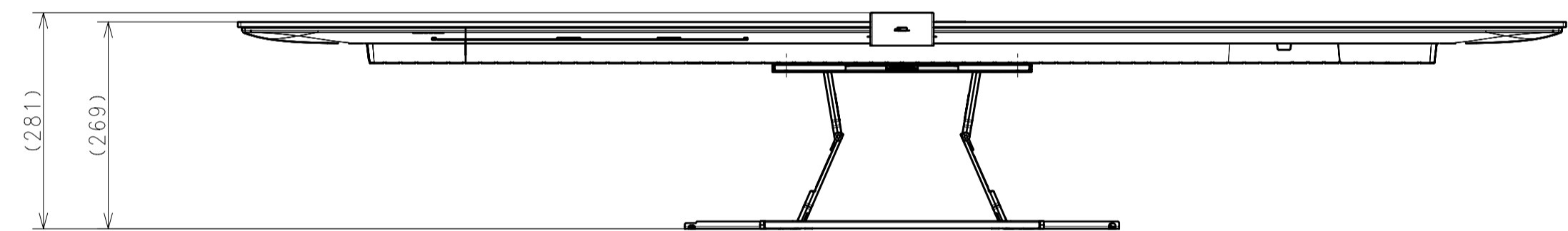
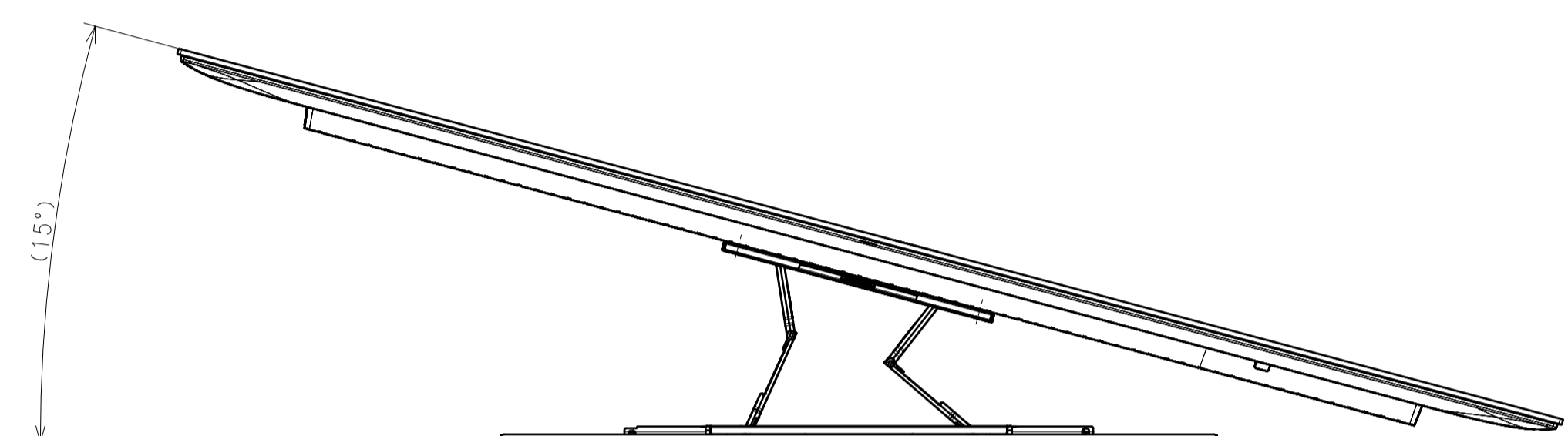
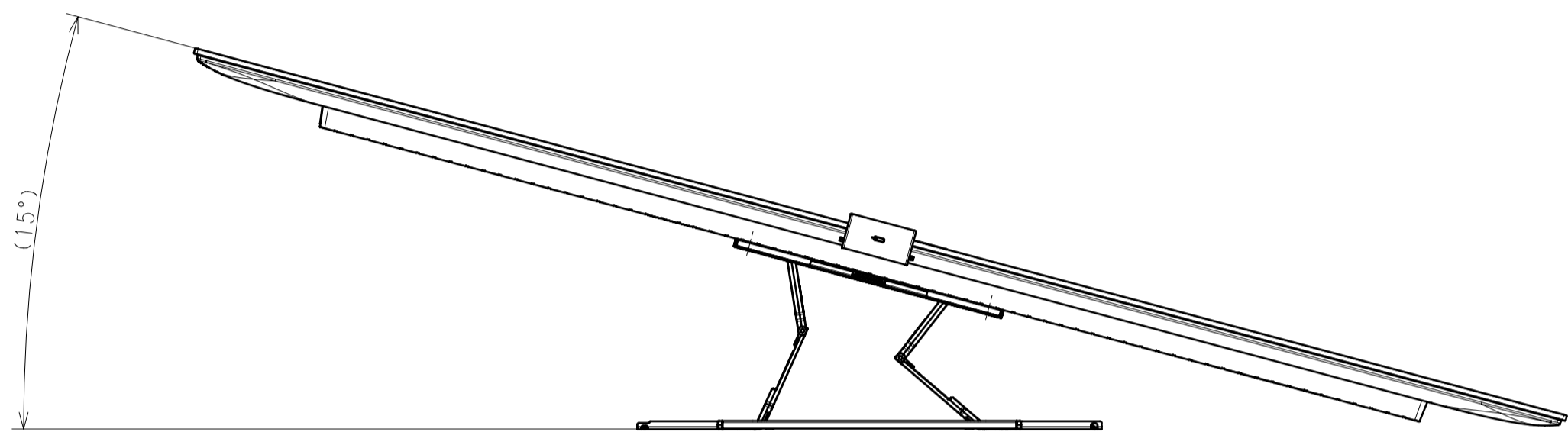
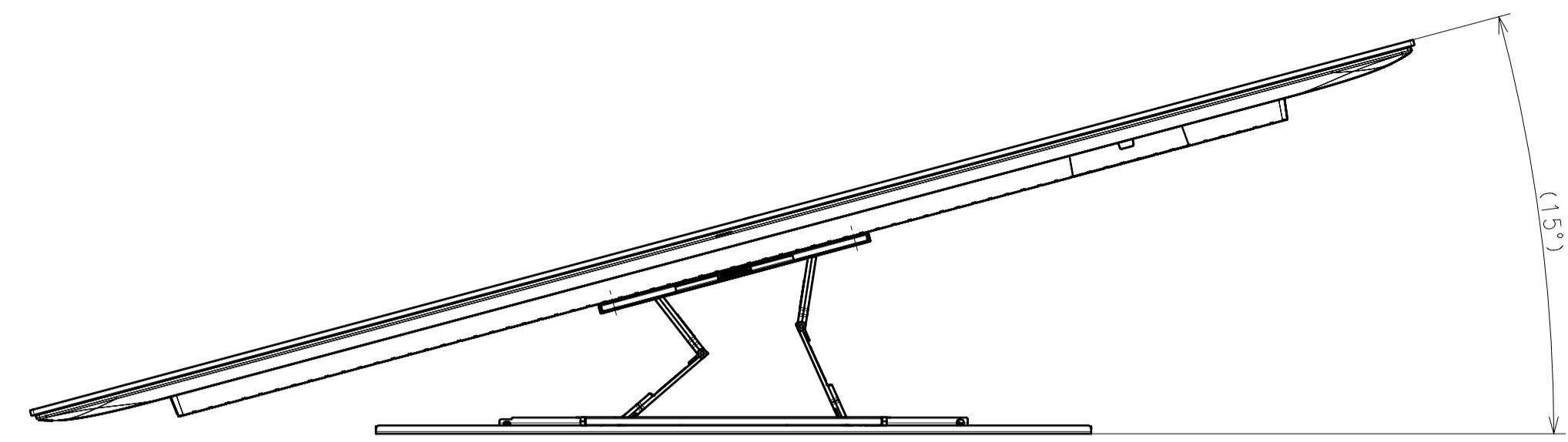
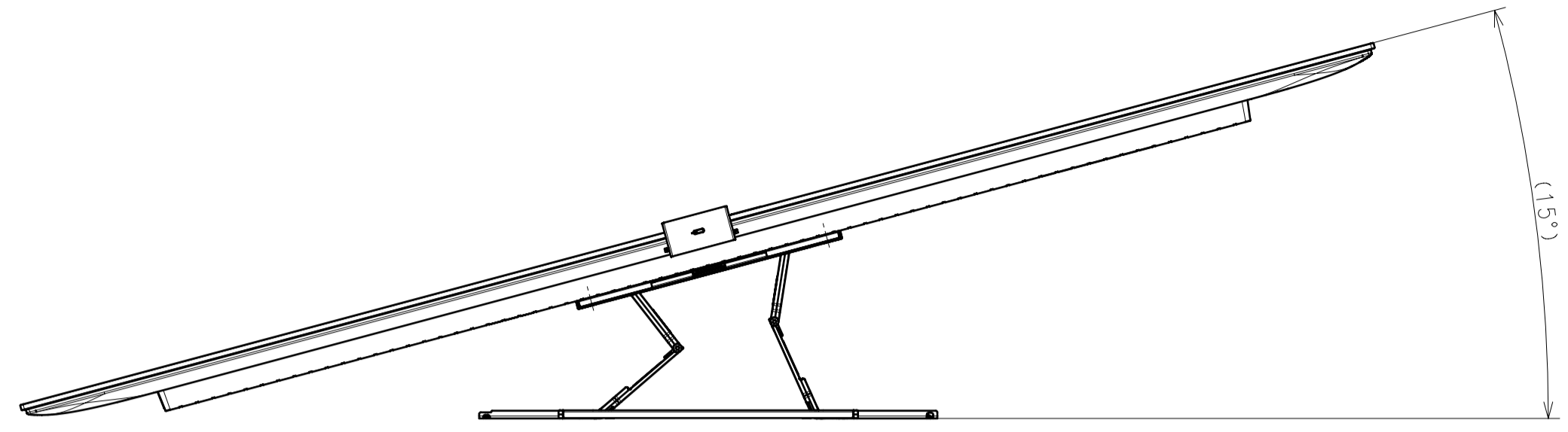
SONY STANDARD DRAWING

SU-WL450 MASKING TAPE ALIGNMENT LINE

DESCRIPTION 1	77 (A80L) EXTERIOR VIEW	LEGAL OWNER	Sony Corporation	SCALE	1:7
DESCRIPTION 2	77 (A80L) EXTERIOR VIEW	PART NO.		SHEET/PAGES	6/7

SU-WL850

SU-WL855



DESCRIPTION 1	77 (A80L) EXTERIOR VIEW	LEGAL OWNER	Sony Corporation	SCALE	1:7
DESCRIPTION 2	77 (A80L) EXTERIOR VIEW	PART NO.		SHEET/PAGES	7 / 7