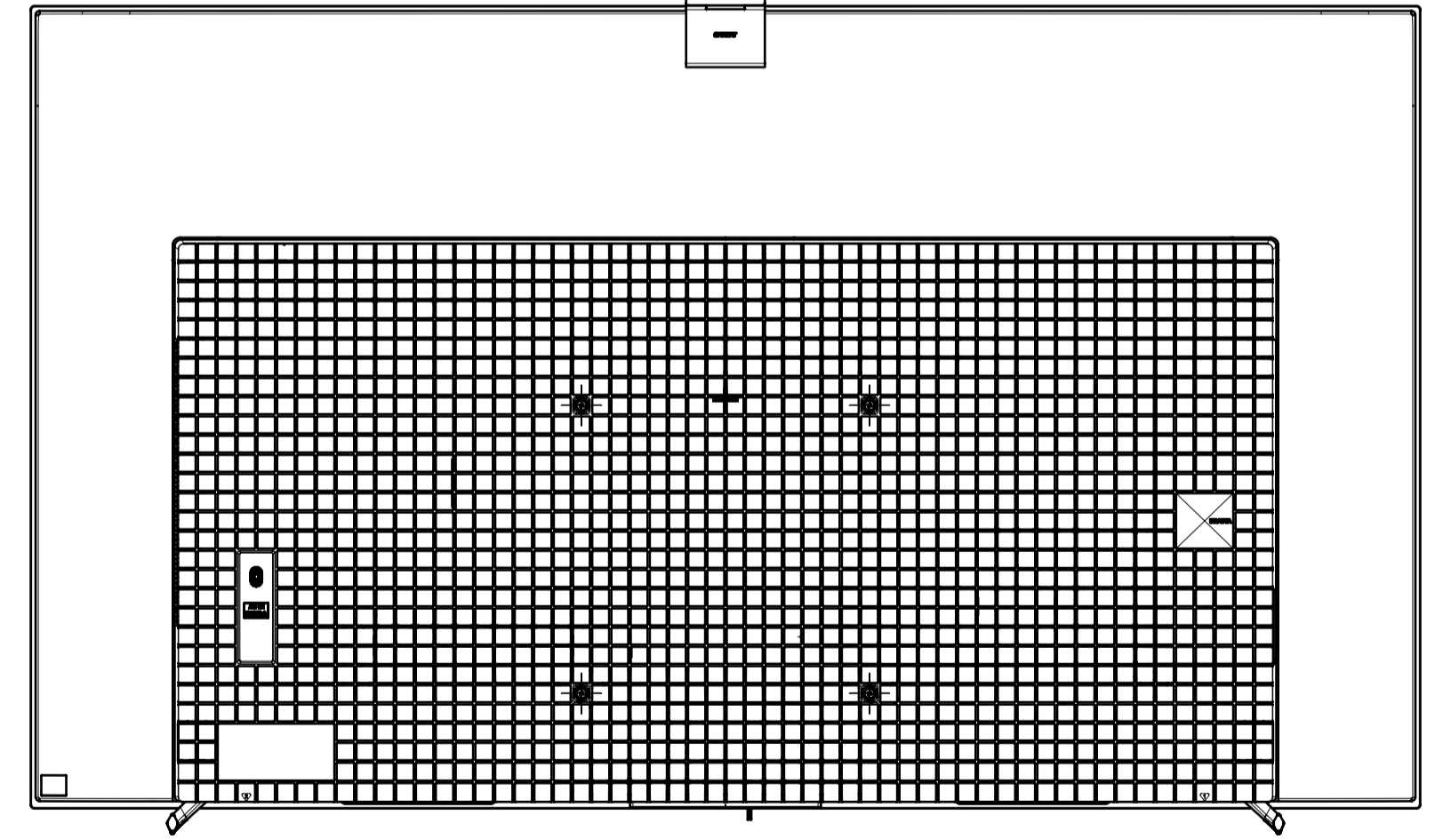
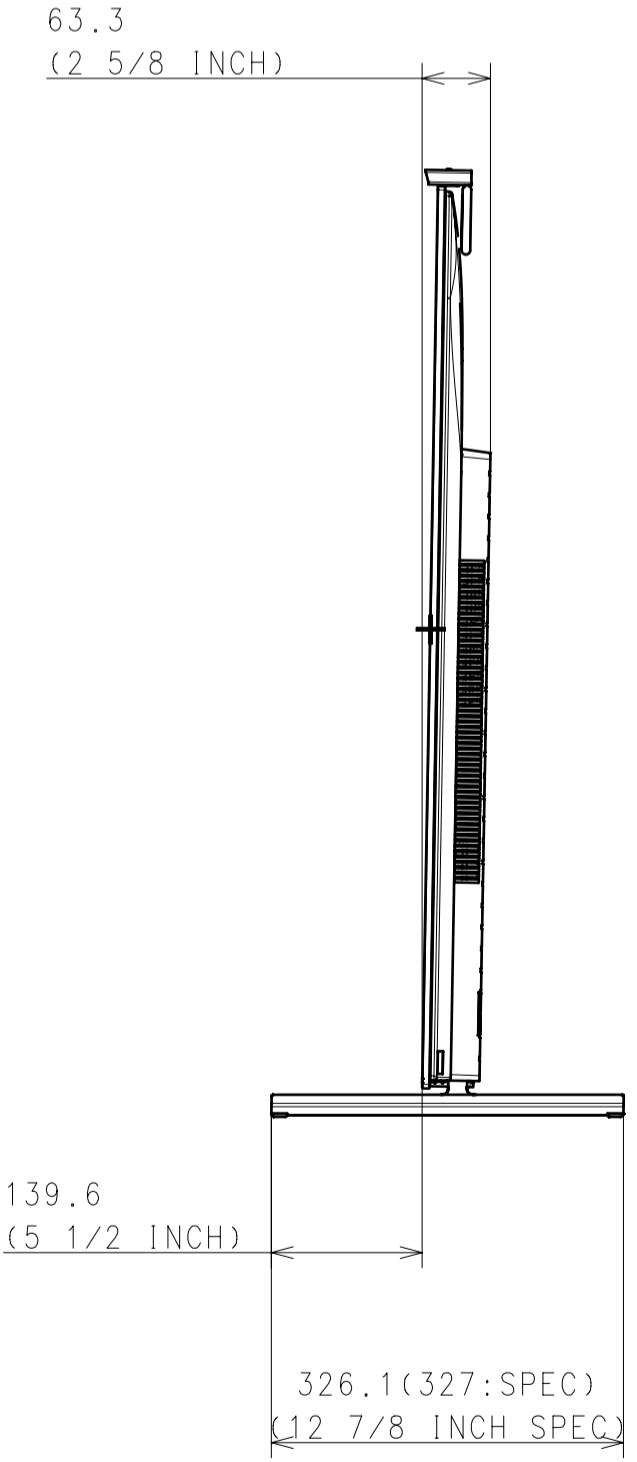
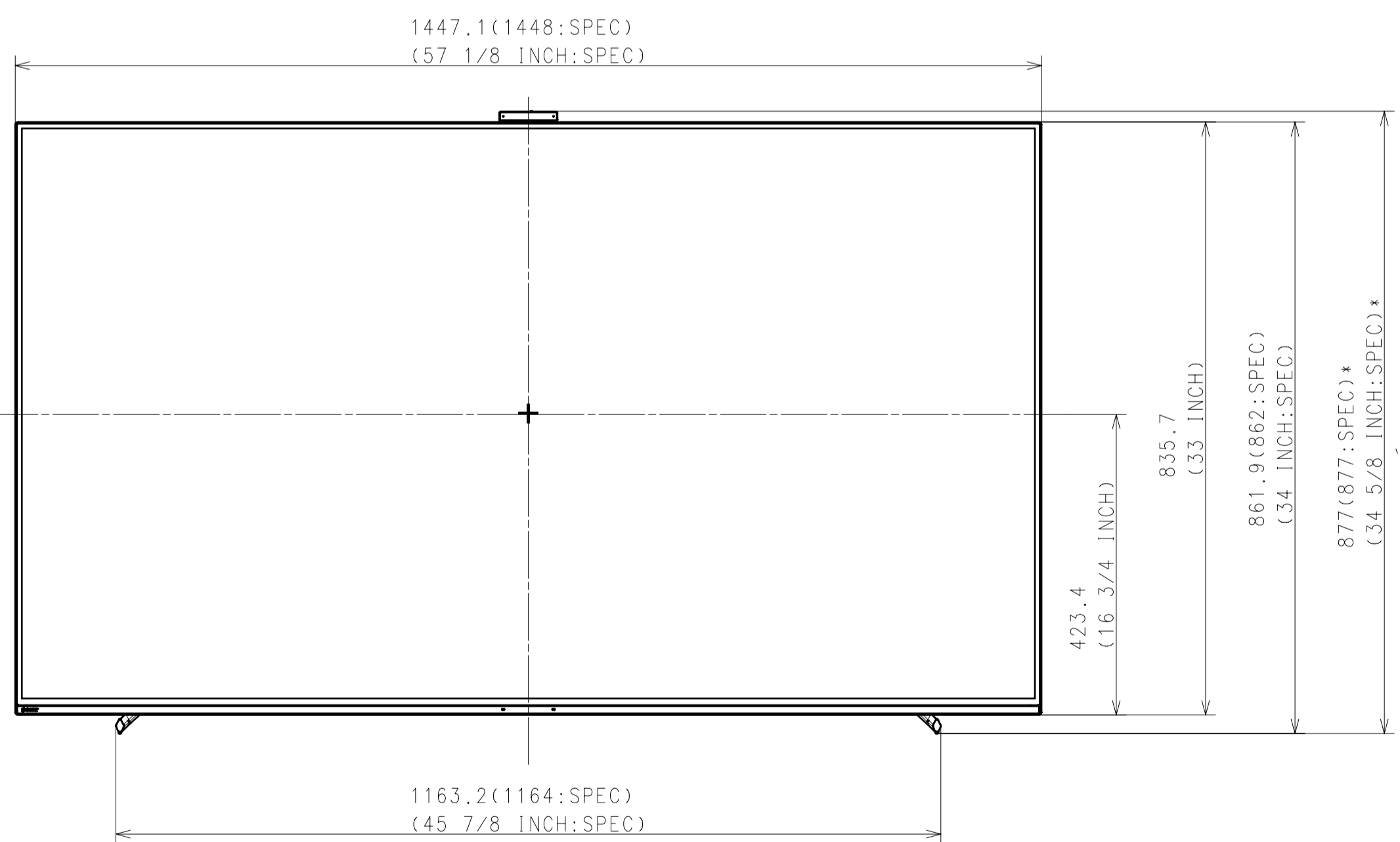
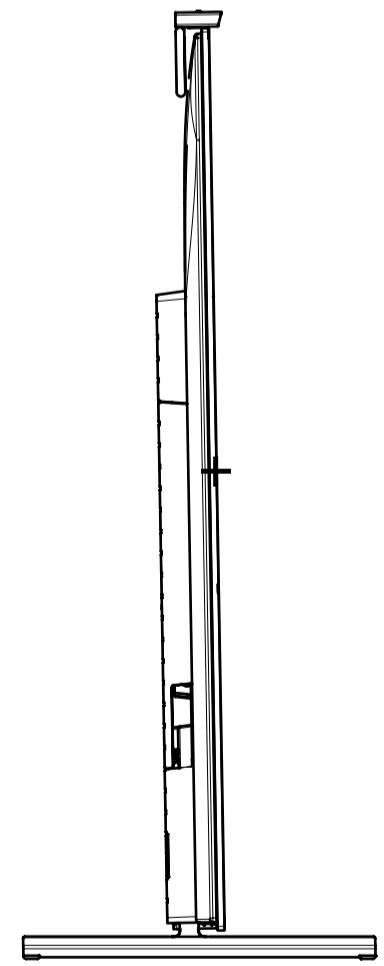
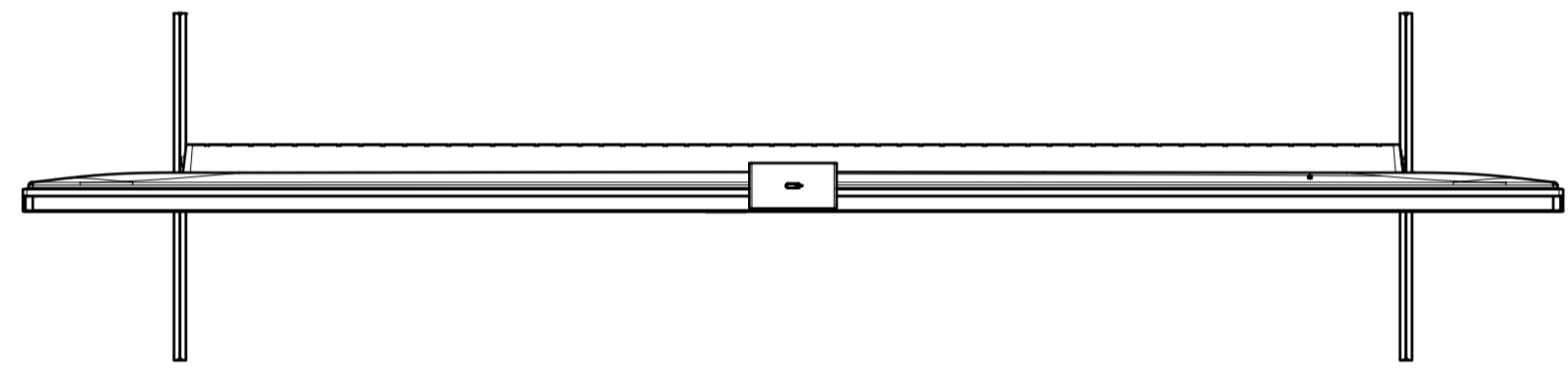


Area		JAPAN	NORTH AMERICA	LATIN AMERICA	EUROPE	GENERAL AREA	CHINA	CHINA DERIVATIVE	
Model Name		XRJ-65A80L	XR-65A80L	XR-65A80L	XR-65A80L	XR-65A80L	XR-65A80L	XR-65A80EL	
SV No.		SV-41320	SV-41051	SV-41097	SV-41280	SV-41123	SV-41229	SV-41231	
DIMENSION	TV only (W x H x D)	144.8 x 83.6 x 5.3 (2.62) cm	1448 x 836 x 53 (26.2) mm / 57 1/8 x 33 x 2 1/8 (1 1/16) inch	1448 x 836 x 53 (26.2) mm	Approx. 144.8 x 83.6 x 5.3 (2.62) cm	Approx. 1448 x 836 x 53 (26.2) mm	Approx. 1448 x 836 x 53 (26.2) mm	Approx. 1448 x 836 x 53 (26.2) mm	
	TV only with camera (W x H x D)	-	-	-	-	-	-	Approx. 1448 x 851 x 65 (42.8) mm	
	TV with Stand (Standard position) (W x H x D)	144.8 x 86.2 x 32.7 cm	1448 x 862 x 330 mm / 57 1/8 x 34 x 13 inch	1448 x 862 x 330 mm	Approx. 144.8 x 86.2 x 32.7 cm	Approx. 1448 x 862 x 327 mm	Approx. 1448 x 862 x 327 mm	Approx. 1448 x 877 x 327 mm	
	TV with Stand (Narrow position) (W x H x D)	144.8 x 86.2 x 32.7 cm	1448 x 862 x 330 mm / 57 1/8 x 34 x 13 inch	1448 x 862 x 330 mm	Approx. 144.8 x 86.2 x 32.7 cm	Approx. 1448 x 862 x 327 mm	Approx. 1448 x 862 x 327 mm	Approx. 1448 x 877 x 327 mm	
	TV with Stand (Soundbar position) (W x H x D)	144.8 x 90.4 x 32.7 cm	1448 x 904 x 330 mm / 57 1/8 x 35 5/8 x 13 inch	1448 x 904 x 330 mm	Approx. 144.8 x 90.4 x 32.7 cm	Approx. 1448 x 904 x 327 mm	Approx. 1448 x 904 x 327 mm	Approx. 1448 x 919 x 327 mm	
	TV with Stand (Front position style) (W x H x D)	-	-	-	-	-	-	-	
	TV with Stand (Back position style) (W x H x D)	-	-	-	-	-	-	-	
	TV with Floor Stand (W x H x D)	-	-	-	-	-	-	-	
	Stand Width (Standard position)	116.4 cm	1184 mm / 46 5/8 inch	1184 mm	Approx. 116.4 cm	Approx. 1164 mm	Approx. 1164 mm	Approx. 1164 mm	
	Stand Width (Narrow position)	86.7 cm	847 mm / 33 3/8 inch	847 mm	Approx. 86.7 cm	Approx. 867 mm	Approx. 867 mm	Approx. 867 mm	
	Stand Width (Soundbar position)	116.4 cm	1184 mm / 46 5/8 inch	1184 mm	Approx. 116.4 cm	Approx. 1164 mm	Approx. 1164 mm	Approx. 1164 mm	
	Stand Width (Front position style)	-	-	-	-	-	-	-	
	Stand Width (Back position style)	-	-	-	-	-	-	-	
	Floor Stand Width	-	-	-	-	-	-	-	
	VESA Hole Pitch	30.0 x 30.0 cm	300 x 300 mm / 11 7/8 x 11 7/8 inch	300 x 300 mm	30.0 x 30.0 cm	300 x 300 mm	300 x 300 mm	300 x 300 mm	
	WEIGHT	TV Only	23.3 kg	23.3kg / 51.4 lb	23.3 kg	Approx. 23.3 kg	Approx. 23.3 kg	Approx. 23.3 kg	Approx. 23.3 kg
		TV with Stand (Standard position)	24.2 kg	24.9 kg / 54.9 lb	24.9 kg	Approx. 24.2 kg	Approx. 24.2 kg	Approx. 24.2 kg	Approx. 24.3 kg
		TV with Stand (Narrow position)	24.2 kg	24.9 kg / 54.9 lb	24.9 kg	Approx. 24.2 kg	Approx. 24.2 kg	Approx. 24.2 kg	Approx. 24.3 kg
TV with Stand (Soundbar position)		24.2 kg	24.9 kg / 54.9 lb	24.9 kg	Approx. 24.2 kg	Approx. 24.2 kg	Approx. 24.2 kg	Approx. 24.3 kg	
TV with Stand (Front/Back position style)		-	-	-	-	-	-	-	
TV with Floor Stand		-	-	-	-	-	-	-	
Floor Stand weight (Supply)		-	-	-	-	-	-	-	
W-M't Br. Weight (Supply)		-	-	-	-	-	-	-	
Remarks		3way	3way	3way	3way	3way	3way	3way	

WITH STAND

STANDARD POSITION FOR ALL EXCEPT LA/NA



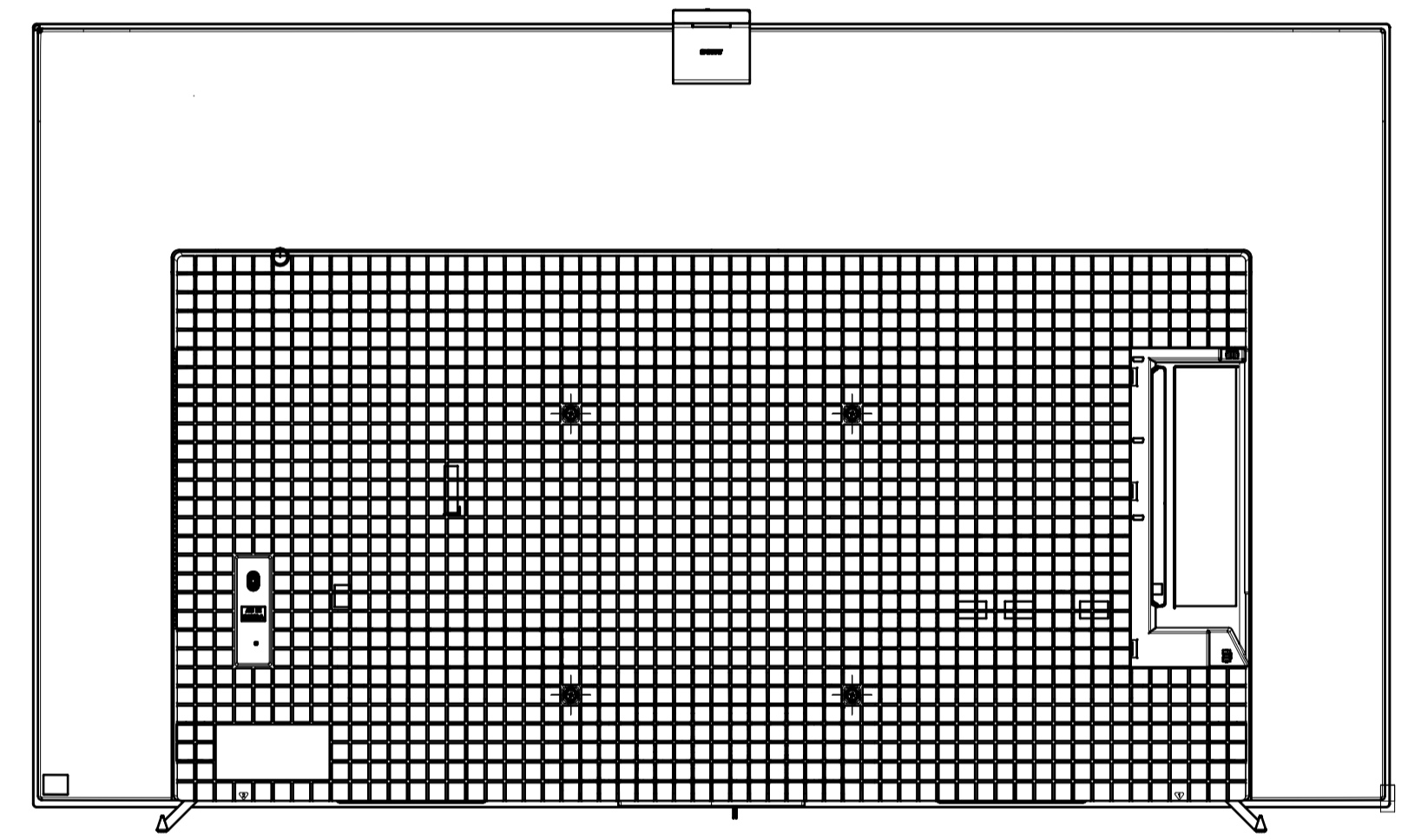
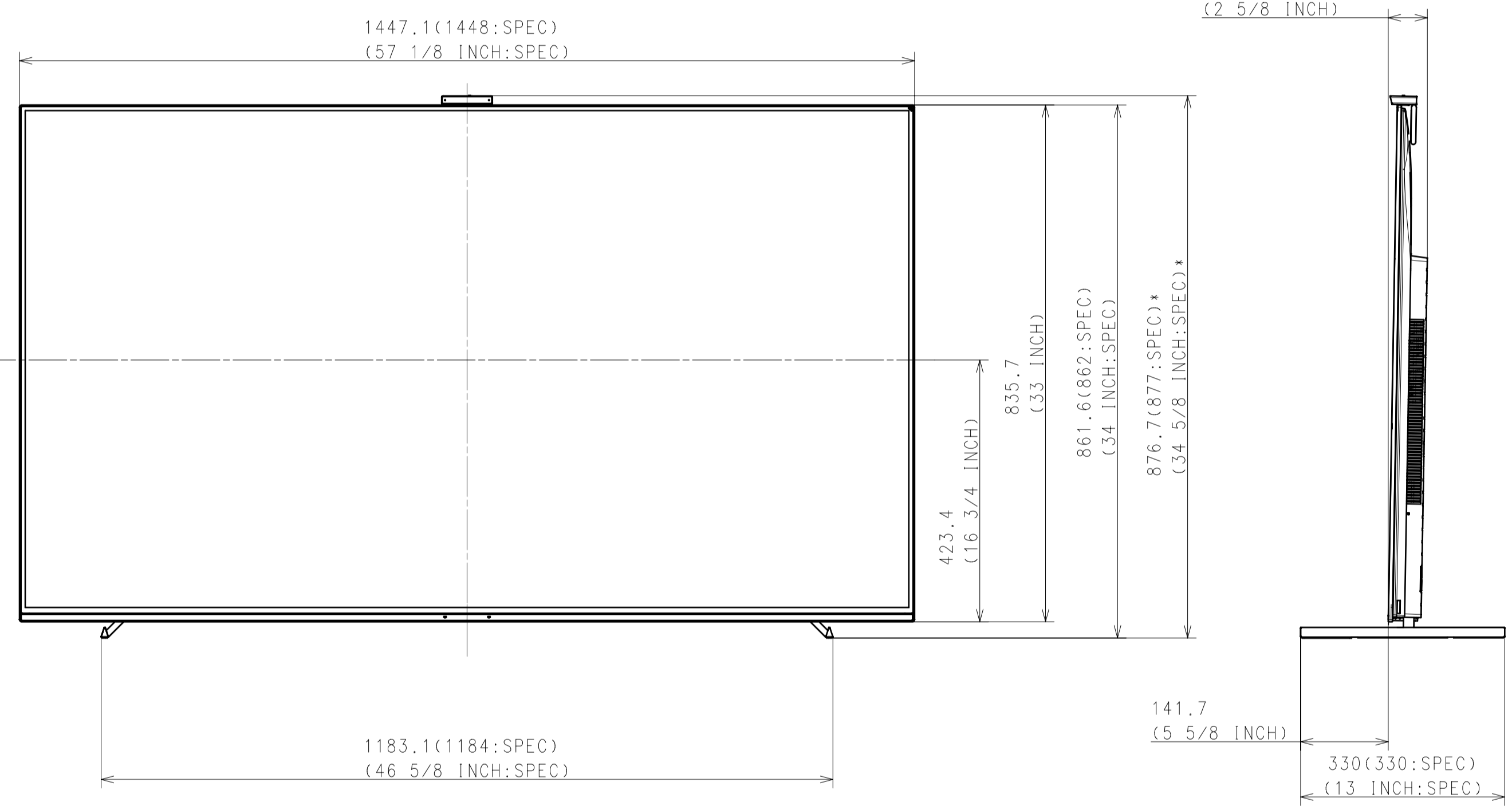
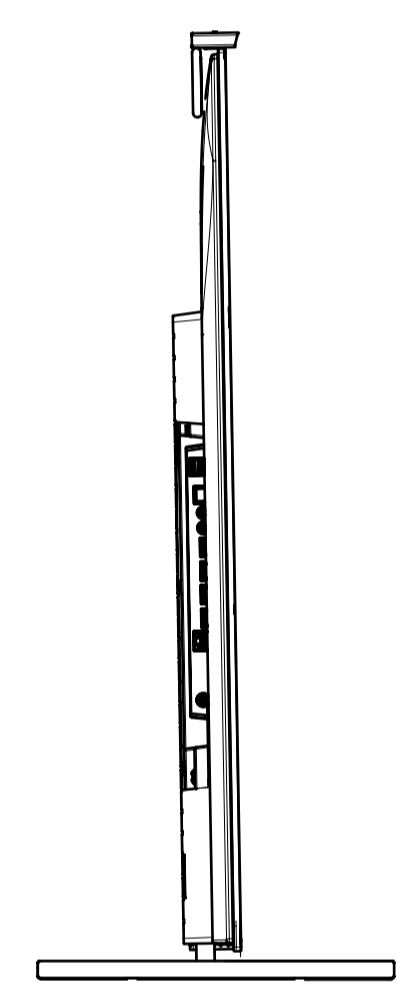
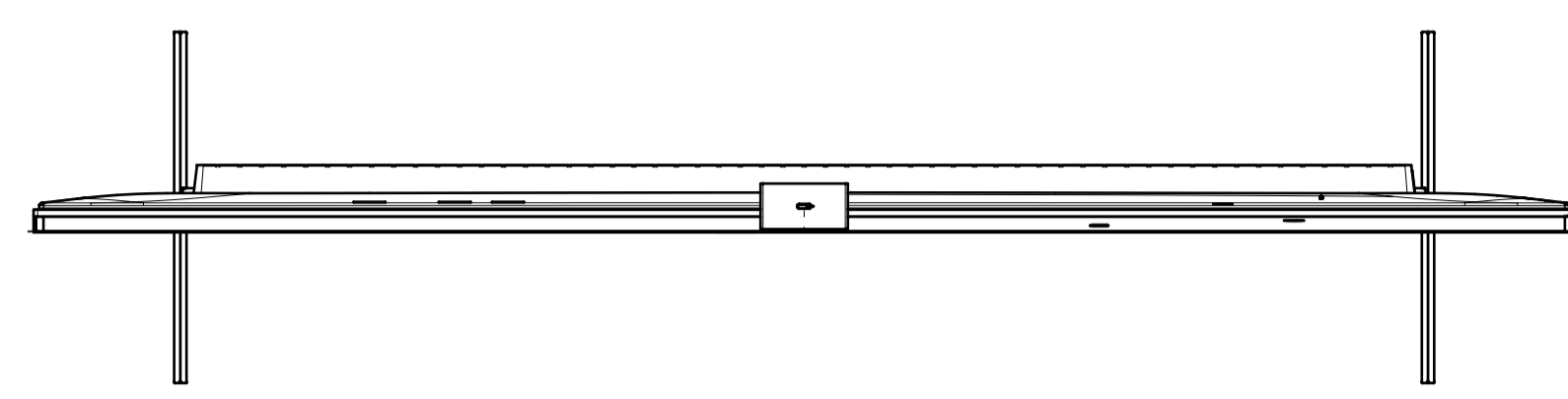
NOTE:
MARKING WITH " * "
THE CAMERA IS BUNDLED FOR A80EL ONLY AND IS SOLD SEPARATELY IN OTHER REGIONS.
カメラはA80ELのみ同梱されており、他のモデルは別売りになります

Purchase recycled resins and wire rods only from the business partners that Sony approves as Green Partners.
再生樹脂・銅線材はグリーンパートナー 認定製品からの調達を促します。

DATE OF ISSUE 2022.11.01	DOCUMENT TYPE PART	GENERAL TOLERANCE	DATE OF ISSUE 2022.11.01
TOLERANCING DRAWING	TOLERANCING DRAWING	MATERIAL COLOR	FINISH COLOR
RESPONSIBLE DEPARTMENT Panel & Mechanical Design	ORIGINAL MODEL 65 (A80L) EXTERIOR VIEW	RESponsible Department	DESCRIPTION 65 (A80L) EXTERIOR VIEW
PLANNED BY 2022.11.01 BUSYAT01	CHECKED BY	APPROVED BY	SCALE 1:7
DRAWN BY 2022.11.01 BUSYAT01	SIZE A1	UNIT mm	SHEET/PAGES 1 / 7

WITH STAND

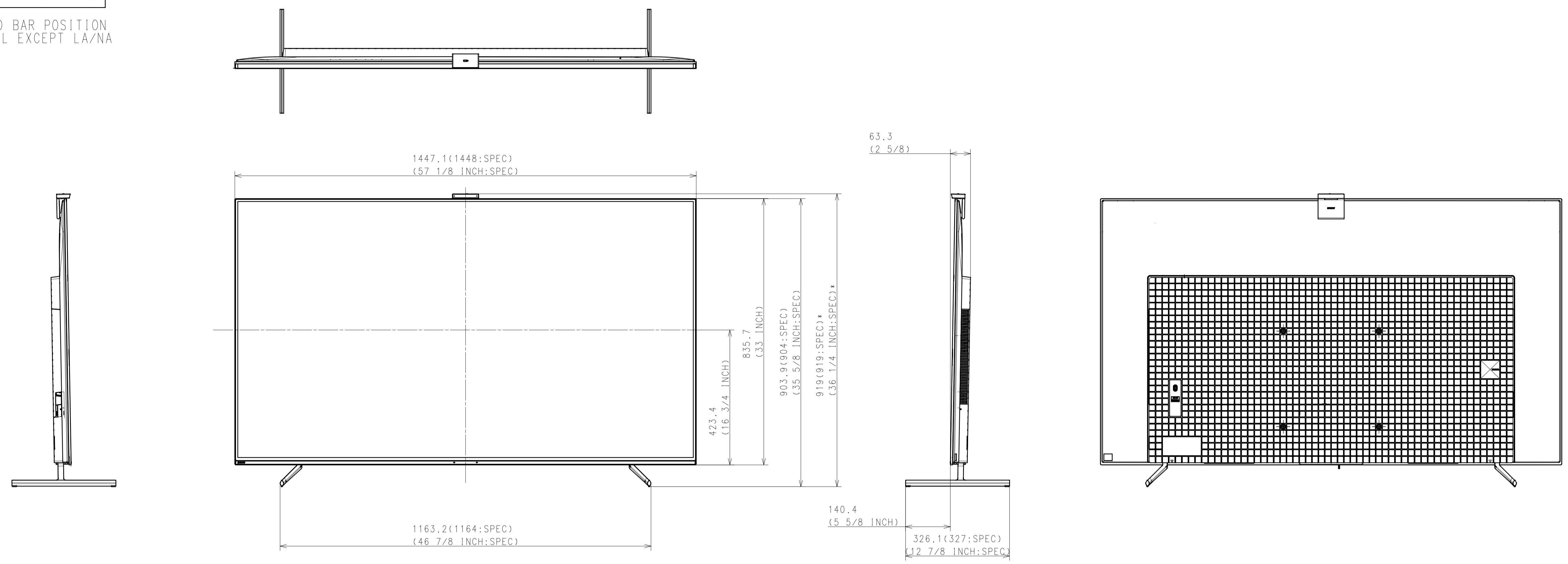
STANDARD BAR POSITION
FOR LA/NA ONLY



DESCRIPTION 1	LEGAL OWNER	SCALE
65 (A80L) EXTERIOR VIEW	Sony Corporation	1:7
DESCRIPTION 2	PART NO.	SHEET/PAGES
65 (A80L) EXTERIOR VIEW		2 / 7

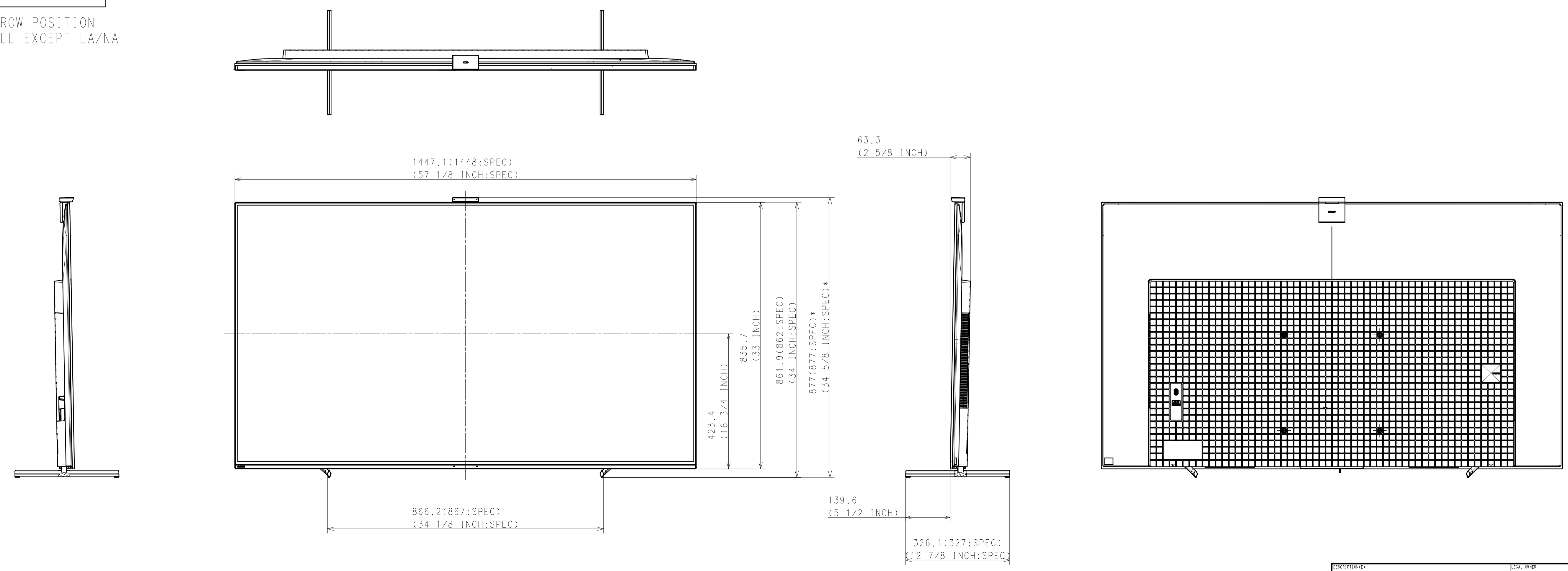
WITH STAND

SOUND BAR POSITION FOR ALL EXCEPT LA/NA



WITH STAND

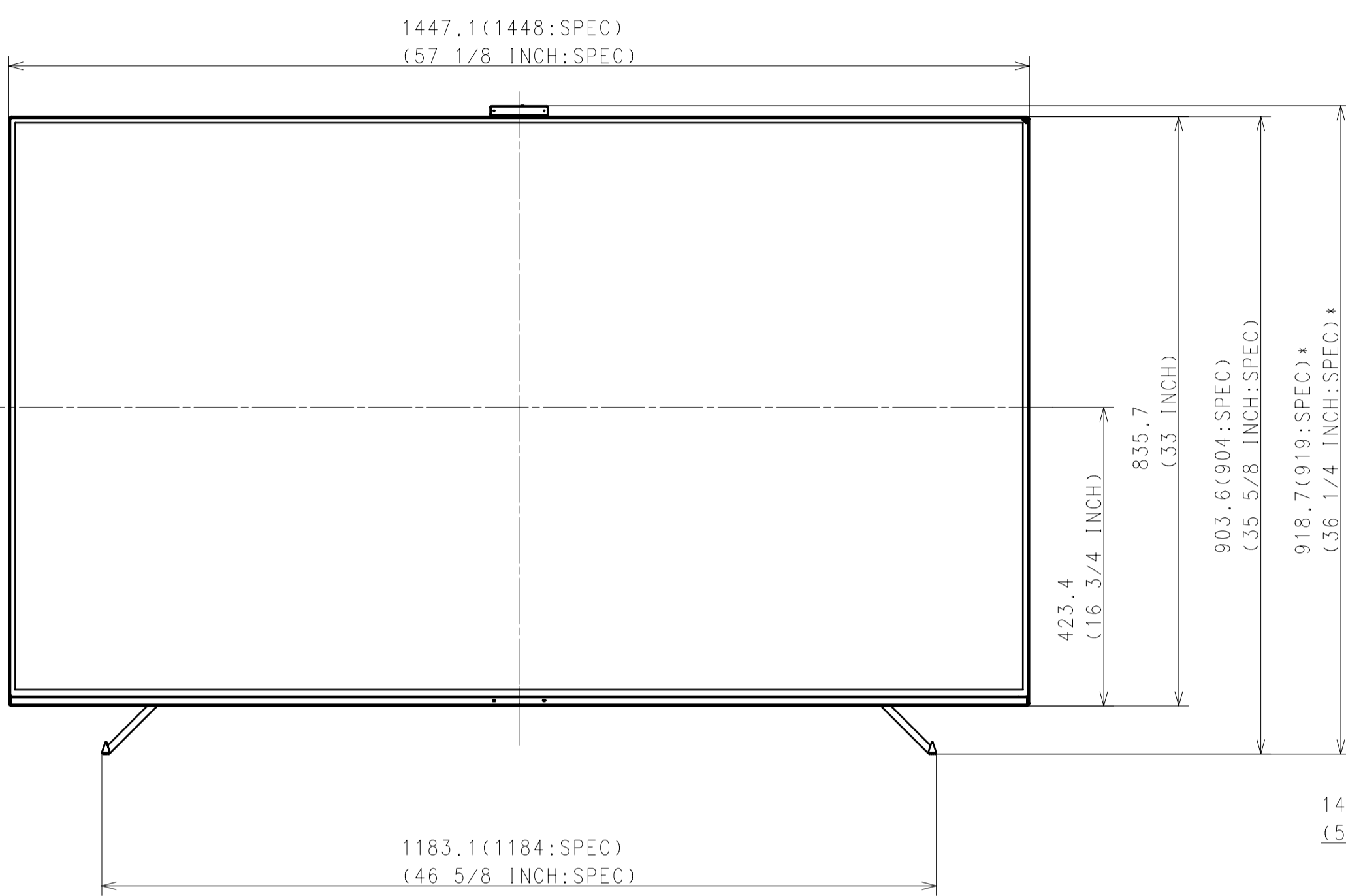
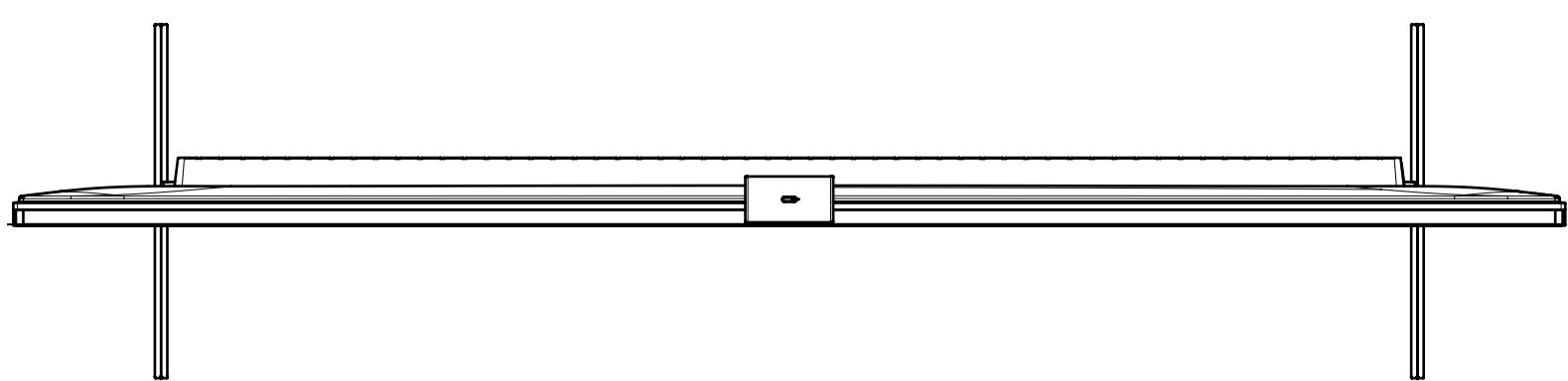
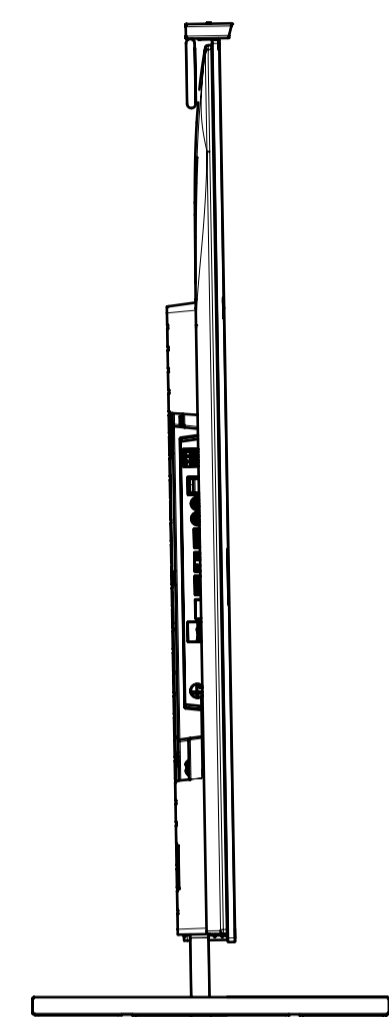
NARROW POSITION FOR ALL EXCEPT LA/NA



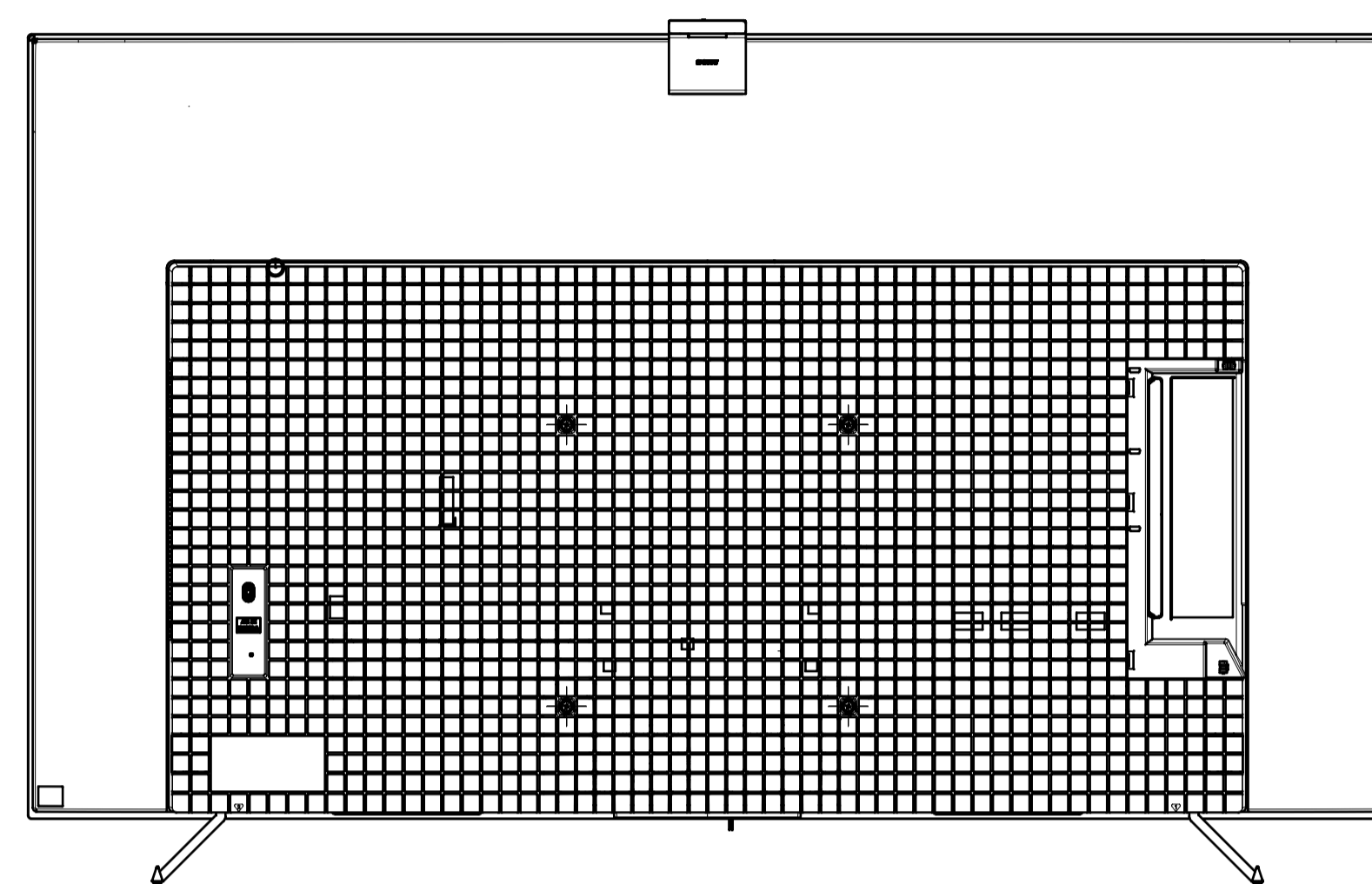
DESCRIPTION 1	65 (A80L) EXTERIOR VIEW	LEGAL OWNER	Sony Corporation	SCALE	1:7
DESCRIPTION 2	65 (A80L) EXTERIOR VIEW	PART NO.		SHEET/PAGES	3/7
DESCRIPTION 3	65 (A80L) EXTERIOR VIEW				

WITH STAND

SOUND BAR POSITION FOR LA/NA ONLY

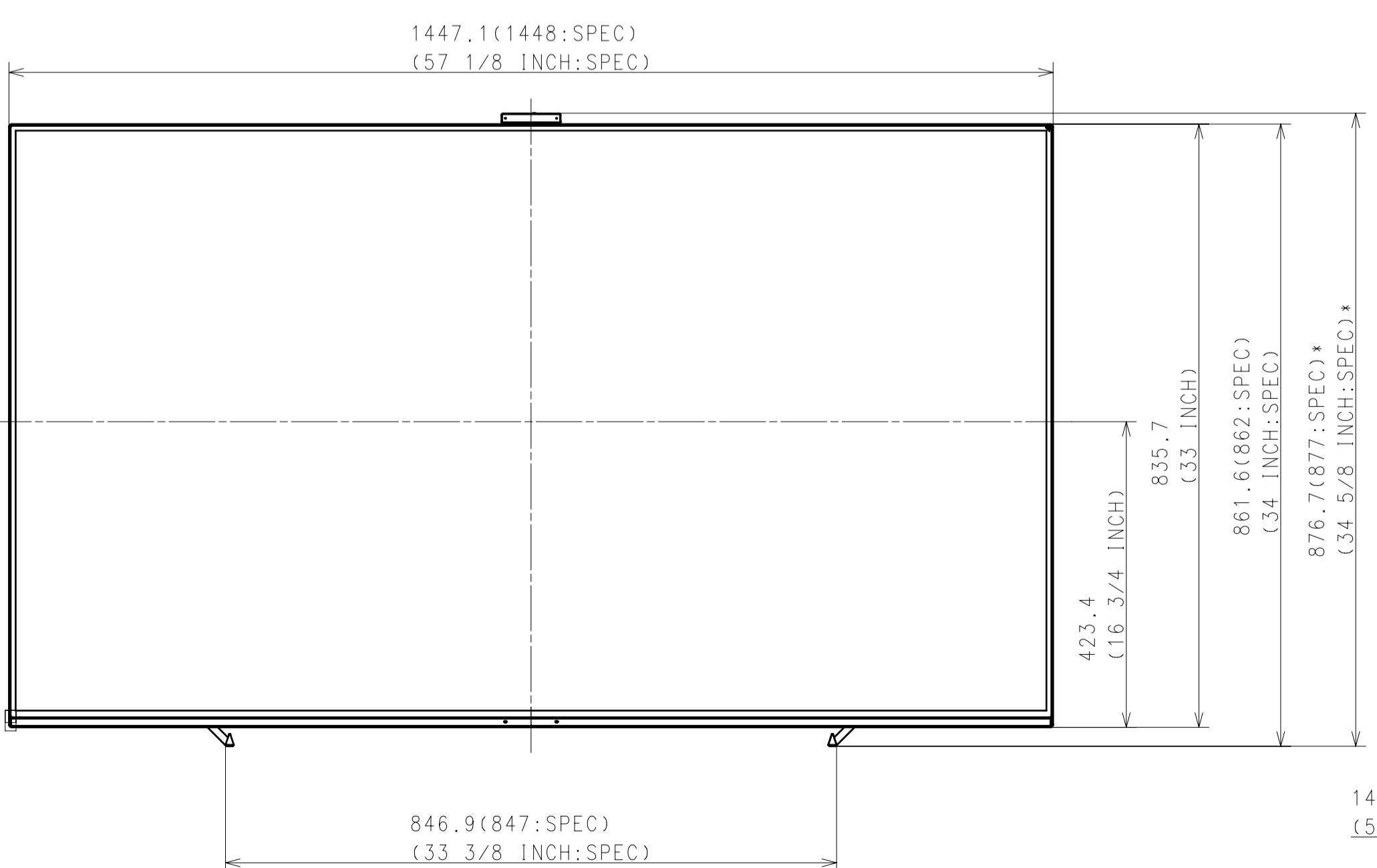
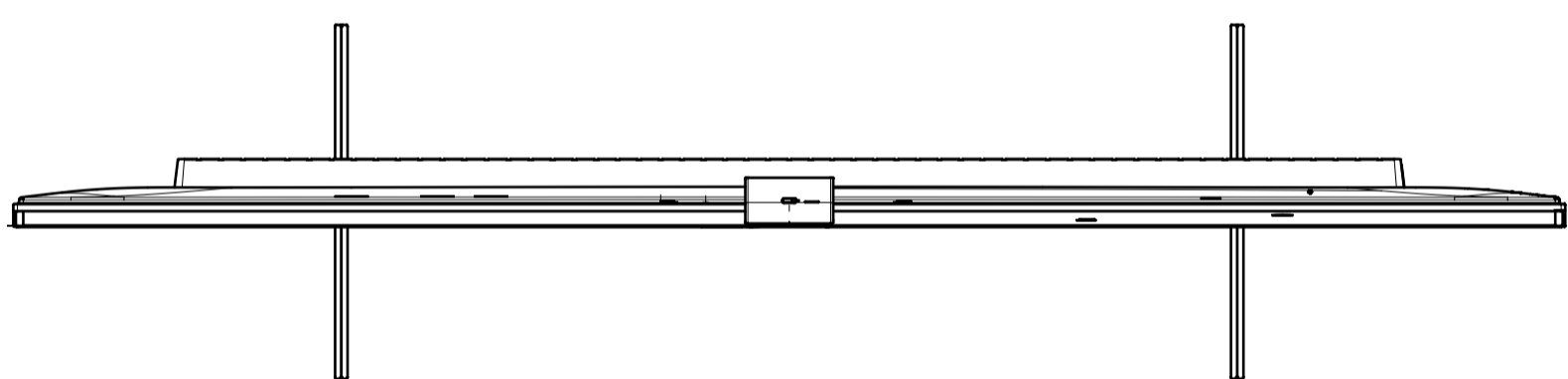
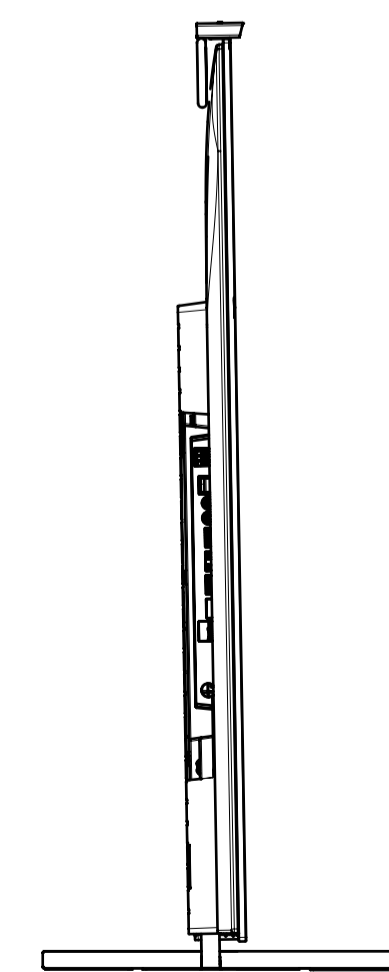


63.3 (2 5/8 INCH)

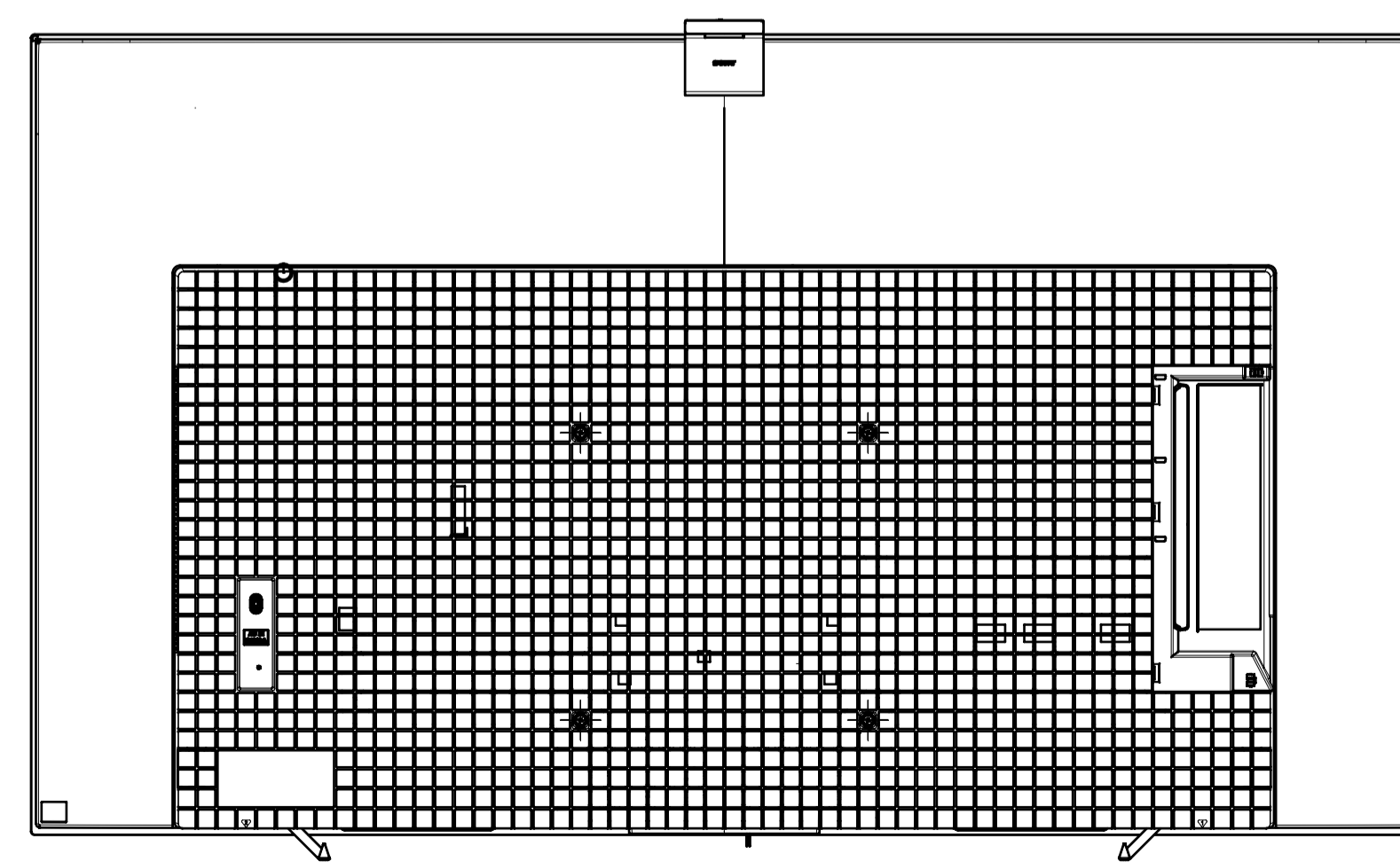


WITH STAND

NARROW POSITION FOR LA/NA ONLY

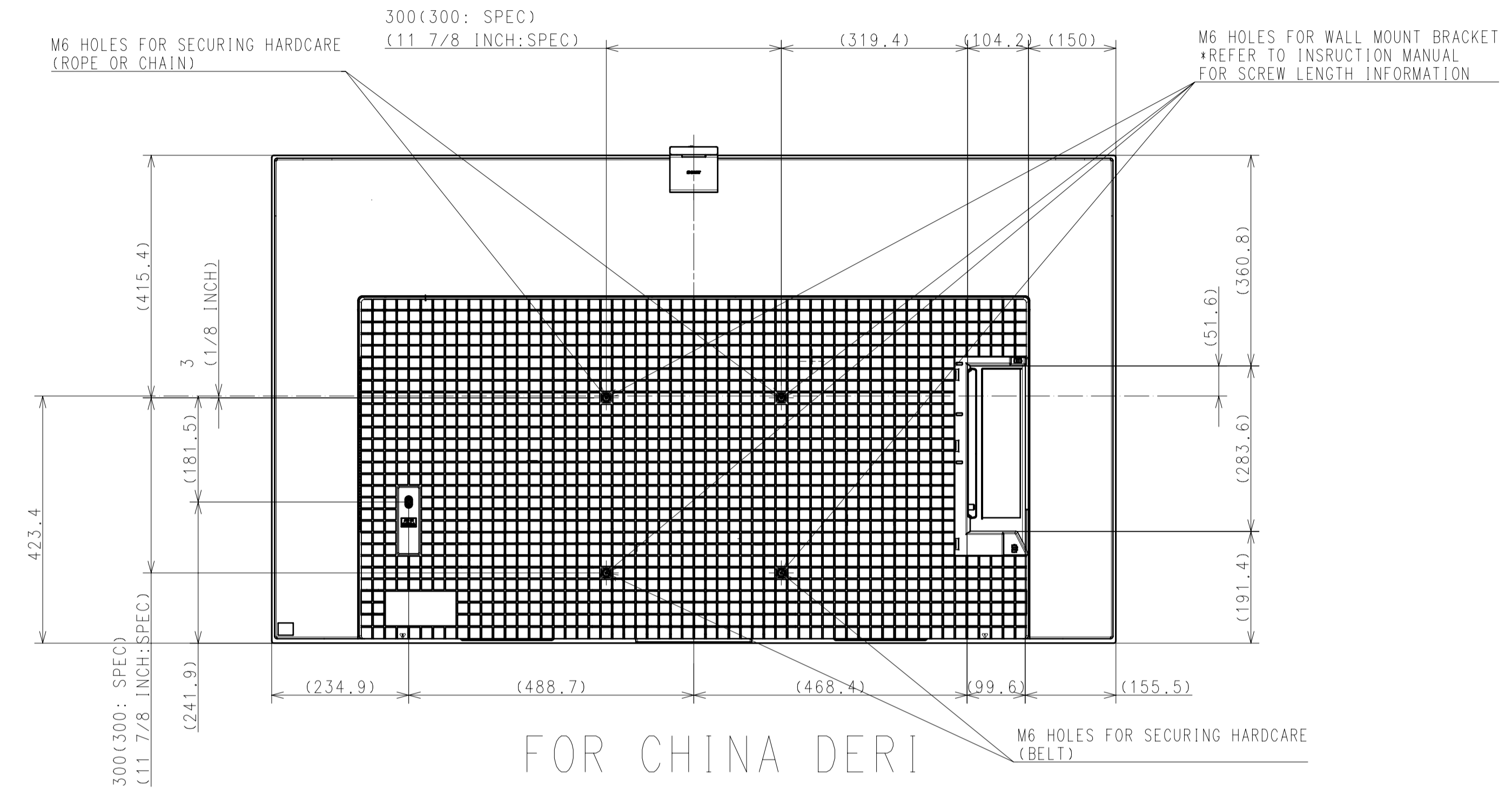
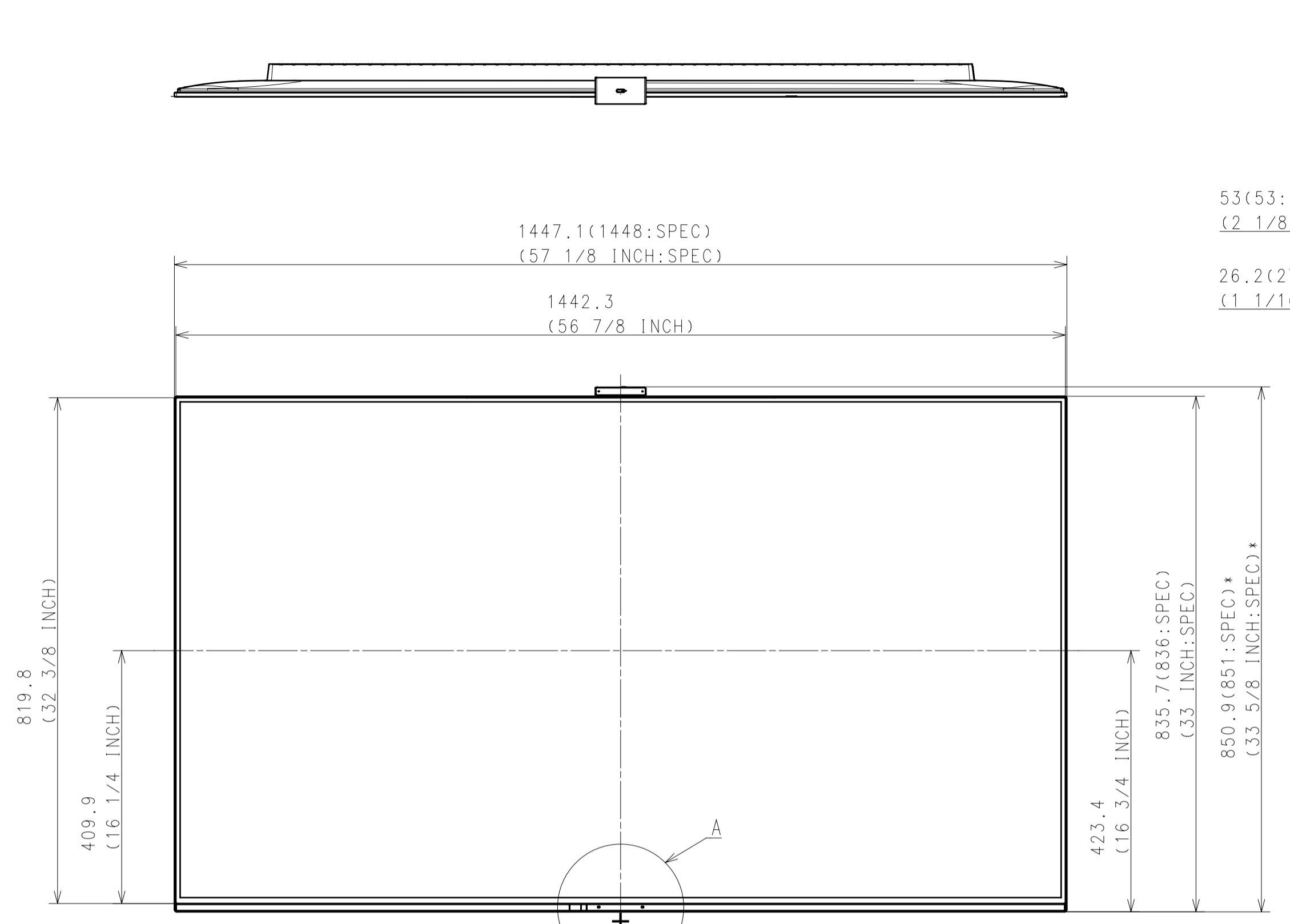


63.3 (64:SPEC) (2 5/8 INCH:SPEC)

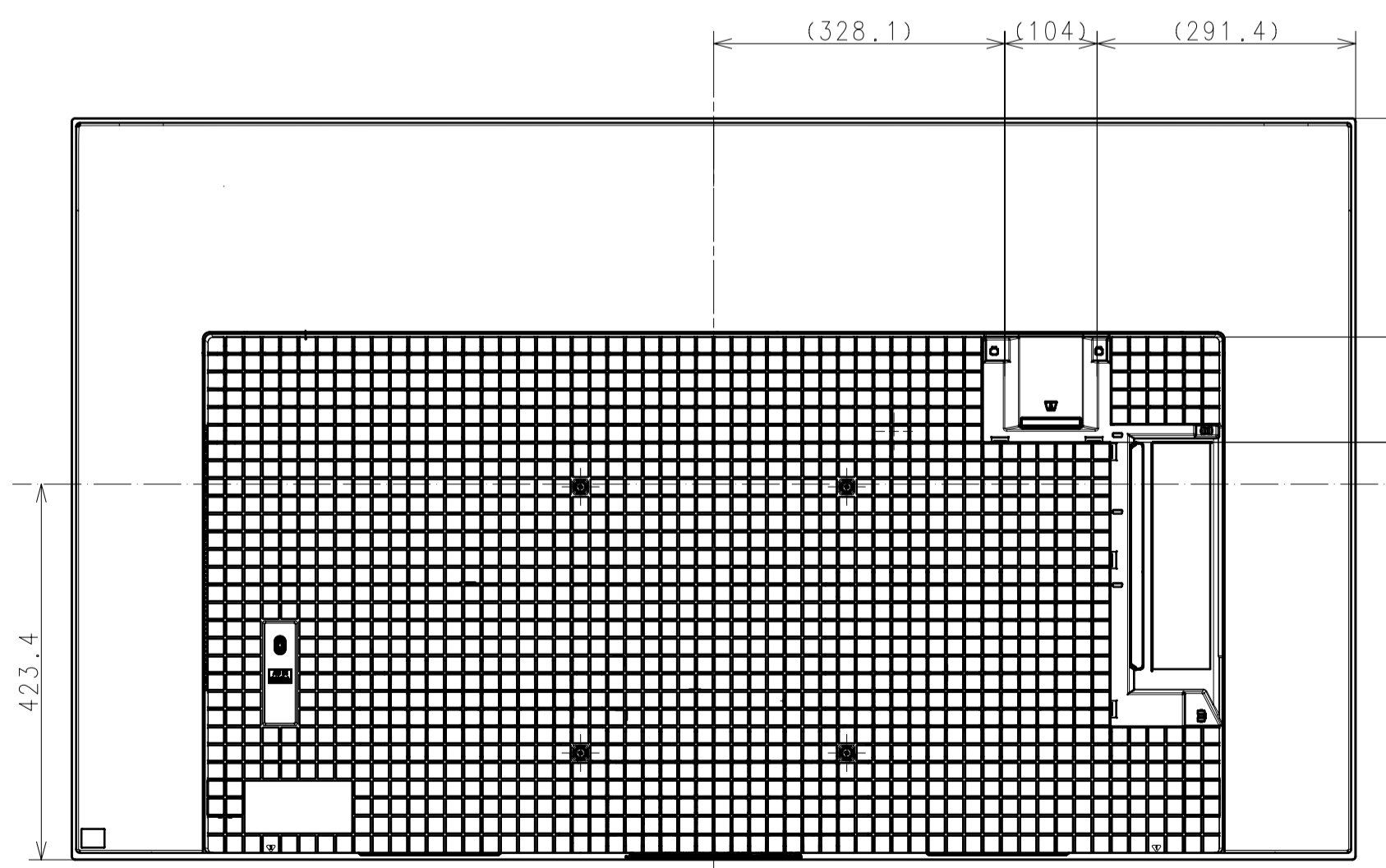
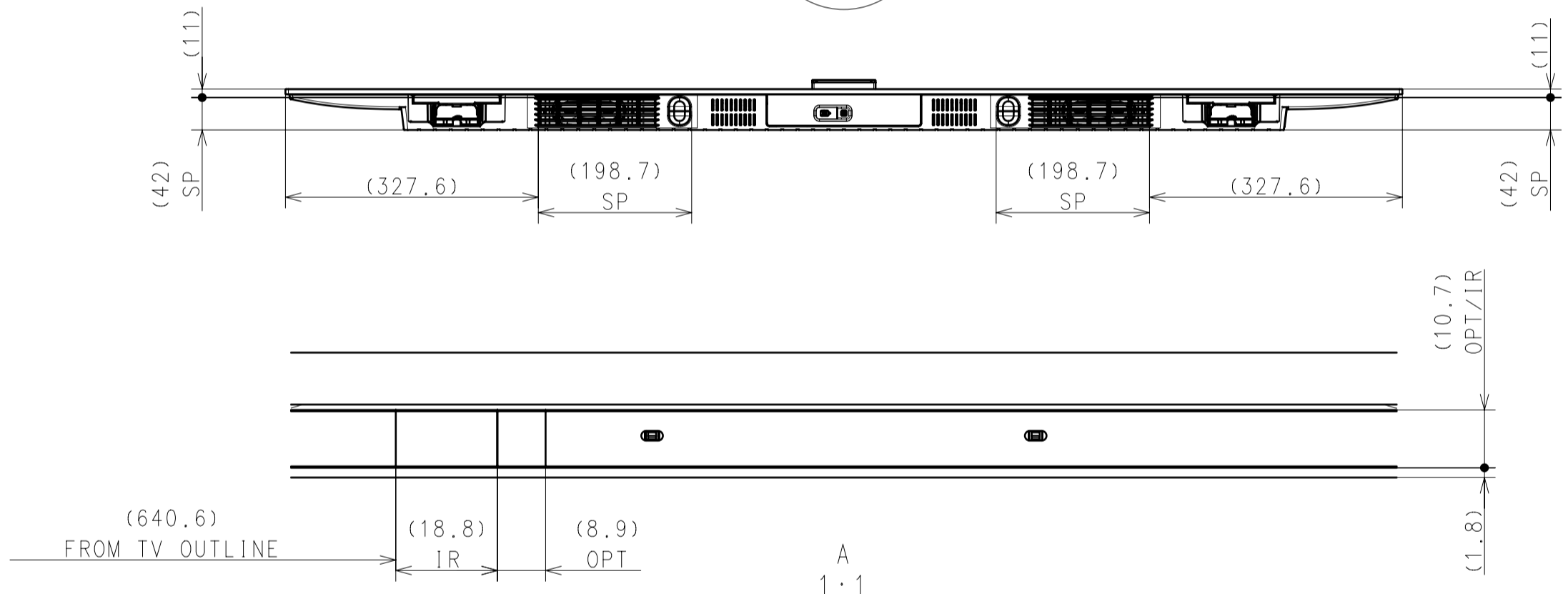


DESCRIPTION 1	LEGAL OWNER	SCALE
65 (A80L) EXTERIOR VIEW	Sony Corporation	1:7
DESCRIPTION 2	PART NO.	SHEET/PAGES
65 (A80L) EXTERIOR VIEW		4 / 7

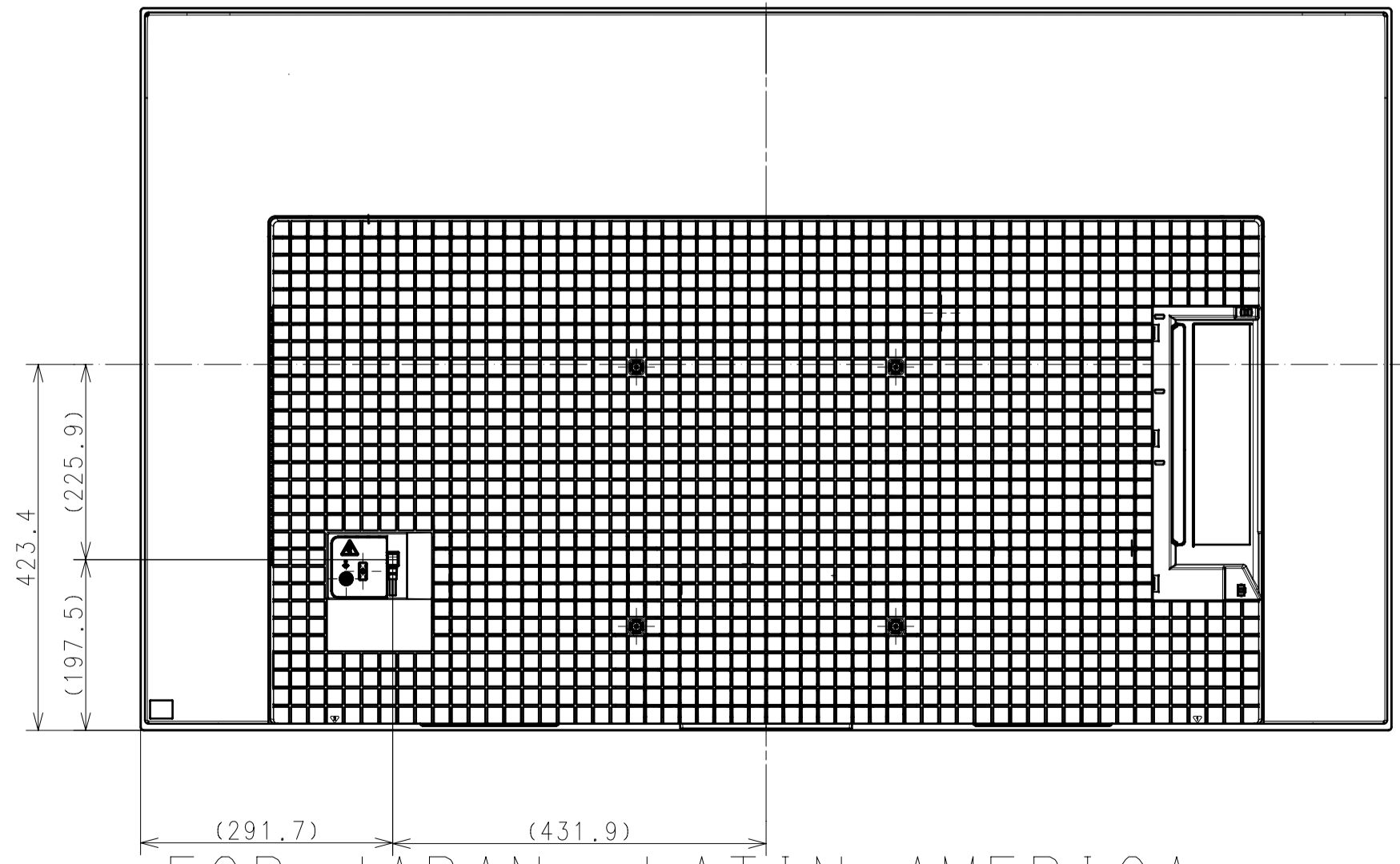
WITHOUT STAND



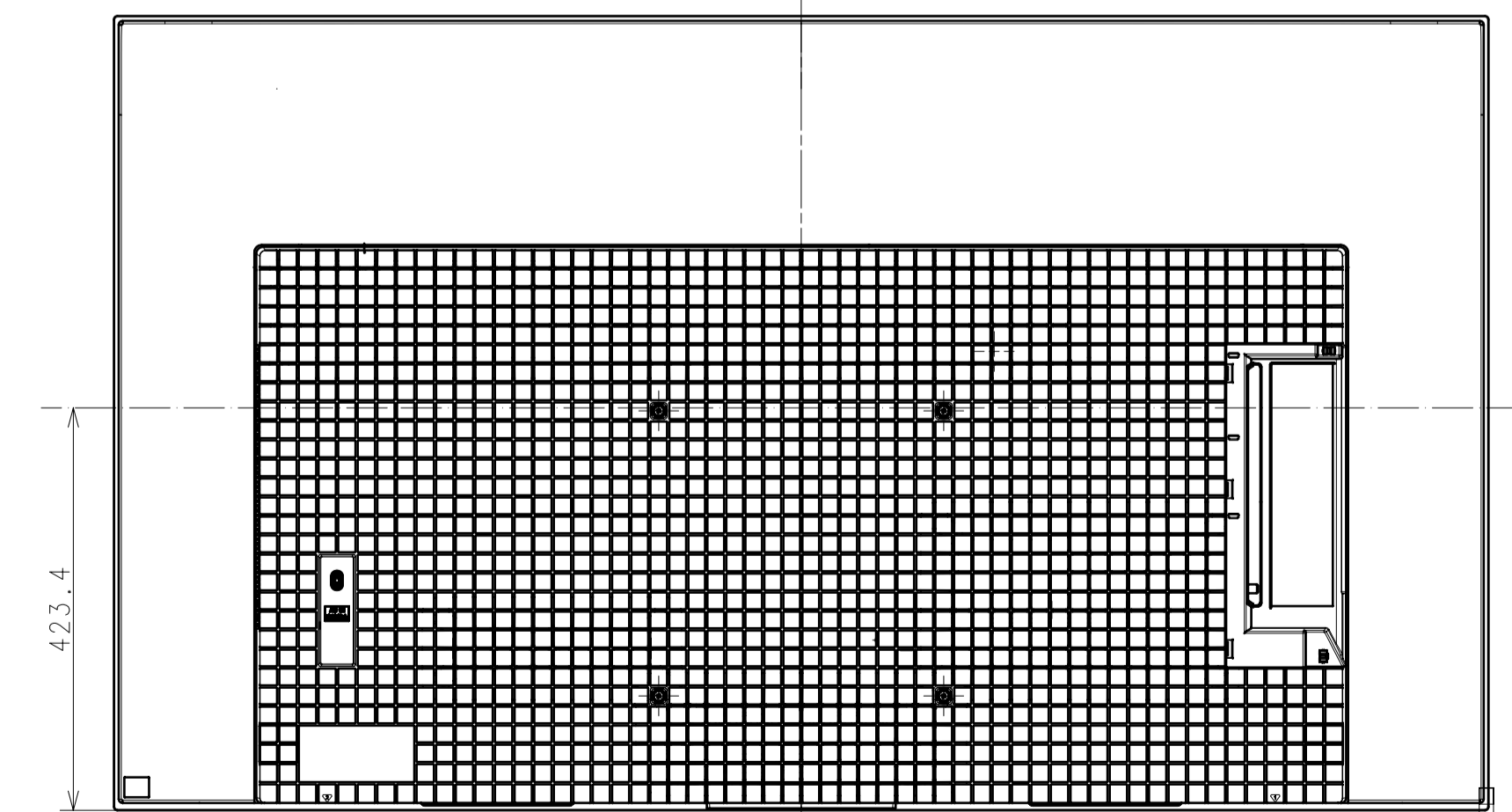
FOR CHINA DERI



FOR EUROPE



FOR JAPAN, LATIN AMERICA



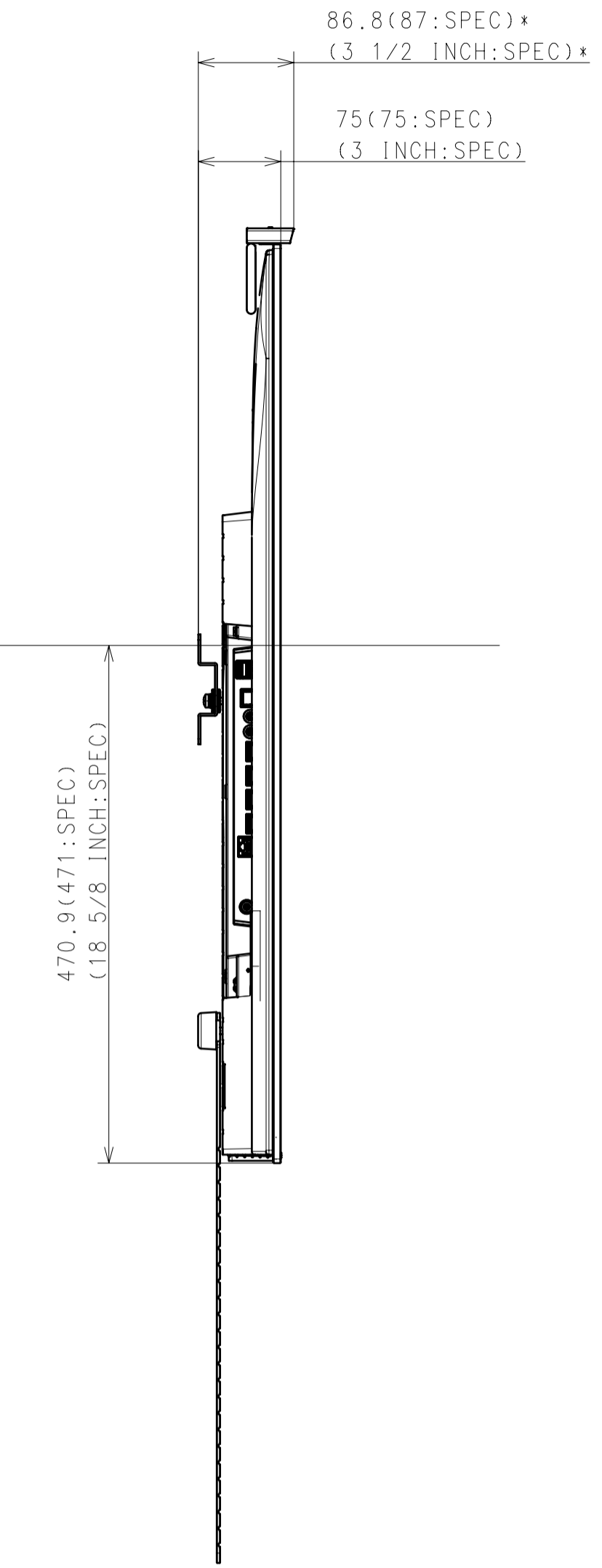
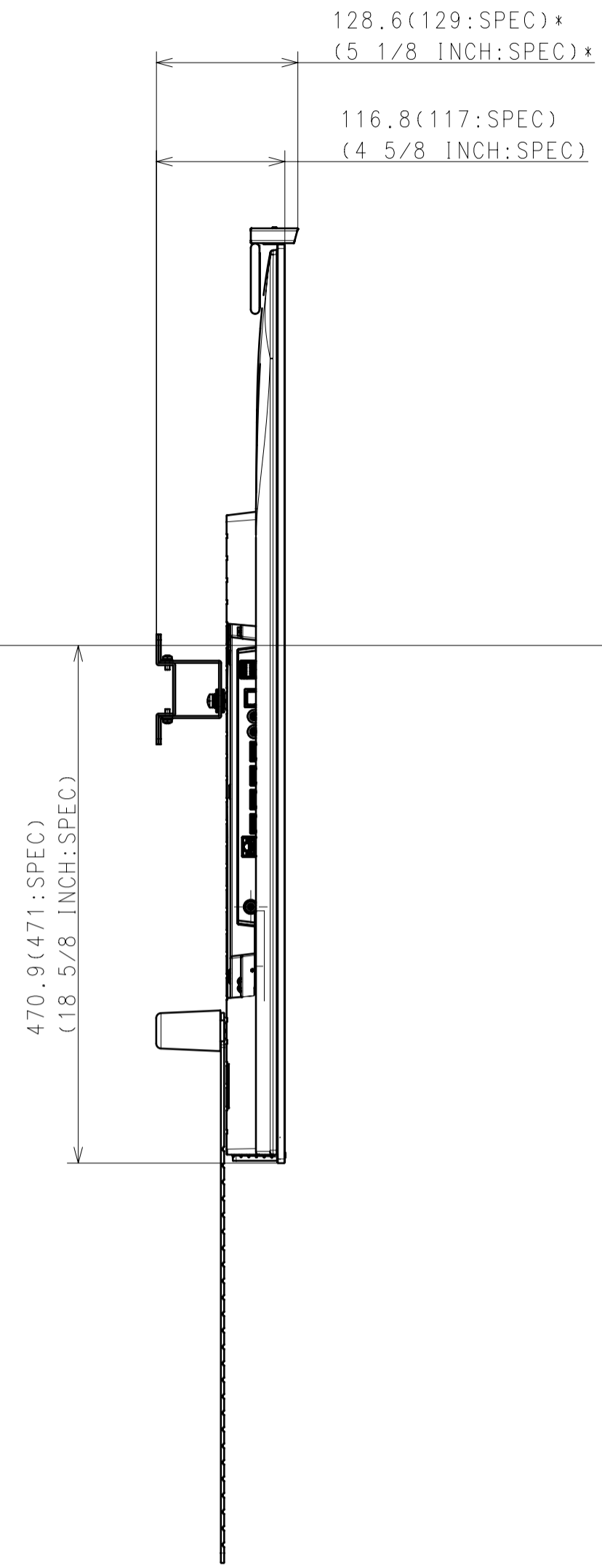
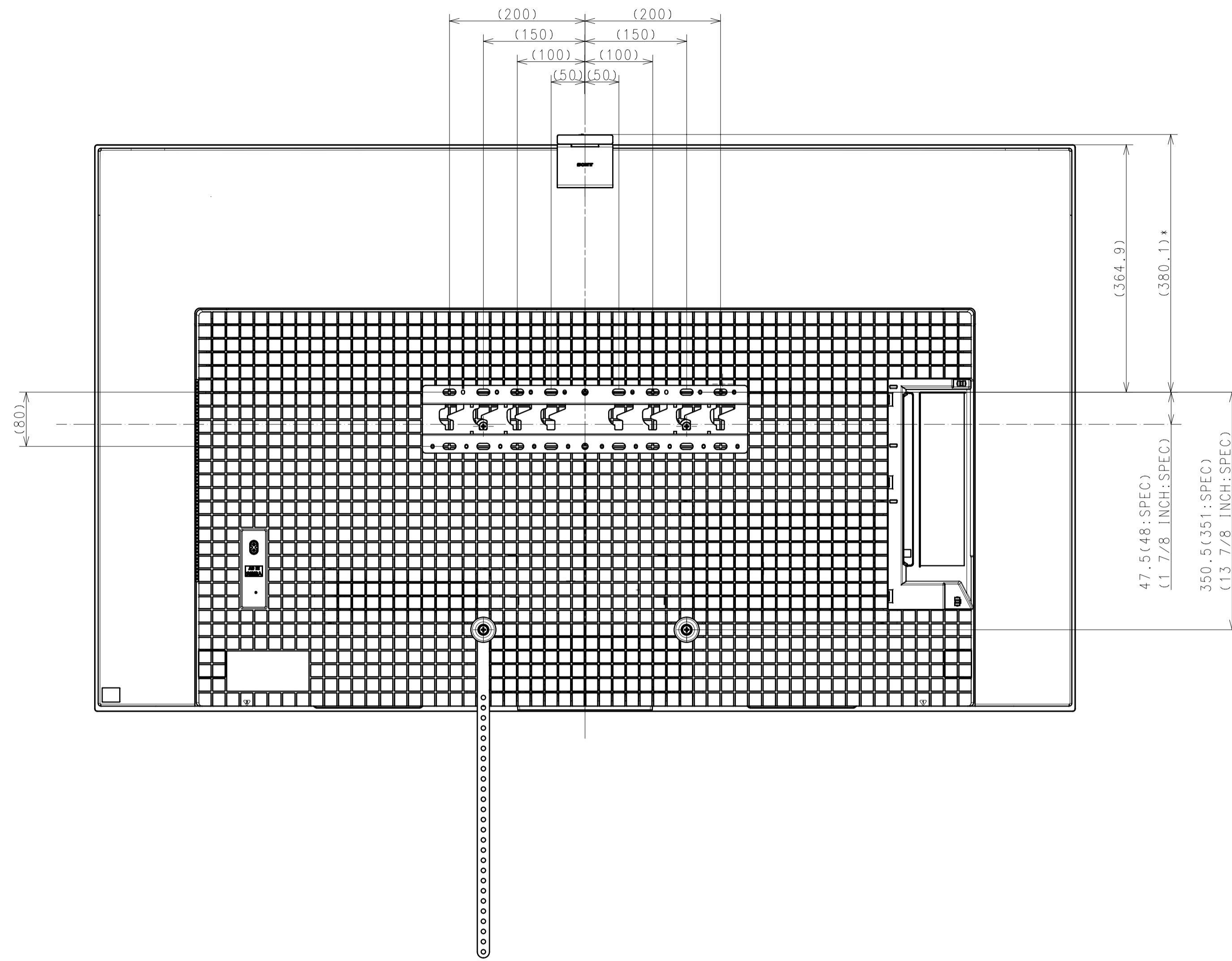
FOR GENERAL AREA / CHINA

DESCRIPTION 1	LEGAL OWNER	SCALE
65 (A80L) EXTERIOR VIEW	Sony Corporation	1:7
DESCRIPTION 2	PART NO.	SHEET/PAGES
65 (A80L) EXTERIOR VIEW		5 / 7

SU-WL450

STANDARD

SLIM



SONY STANDARD

DESCRIPTION	LEGAL OWNER	SCALE
65 (A80L) EXTERIOR VIEW	Sony Corporation	1:5
DESCRIPTION	PART NO.	SHEET/PAGES
65 (A80L) EXTERIOR VIEW		6 / 7

