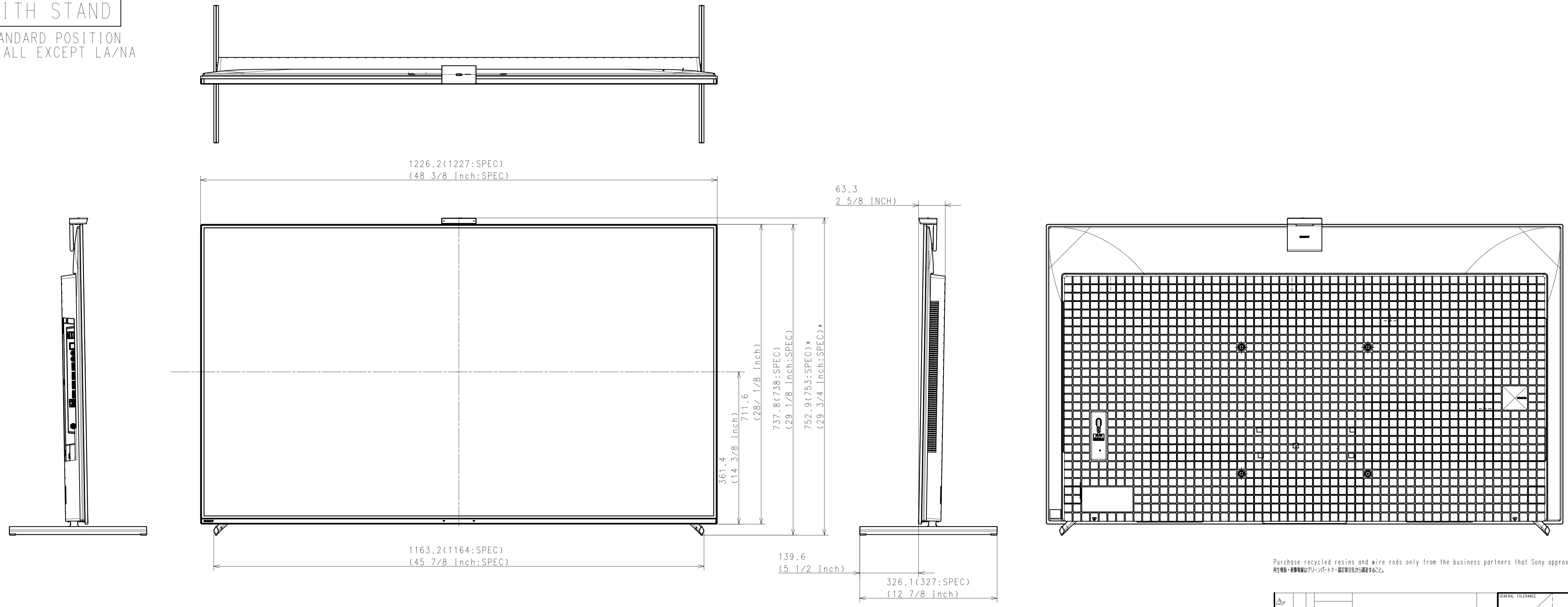


Area		JAPAN	NORTH AMERICA	LATIN AMERICA	EUROPE	GENERAL AREA	CHINA	CHINA DERIVATIVE
Model Name		XRJ-55A80L	XR-55A80L	XR-55A80L	XR-55A80L	XR-55A80L	XR-55A80L	XR-55A80EL
SV No.		SV-41321	SV-41056	SV-41099	SV-41283	SV-41125	SV-41234	SV-41236
DIMENSION	TV only (W x H x D)	122.7 x 71.2 x 5.3 (2.49) cm	1227 x 712 x 53 (24.9) mm / 48 3/8 x 28 1/8 x 2 1/8 (9/32) inch	1227 x 712 x 53 (24.9) mm	Approx. 122.7 x 71.2 x 5.3 (2.49) cm	Approx. 1227 x 712 x 53 (24.9) mm	Approx. 1227 x 712 x 53 (24.9) mm	Approx. 1227 x 712 x 53 (24.9) mm
	TV only with camera (WxHxD)	-	-	-	-	-	-	Approx. 1227 x 727 x 65 (42.8) mm
WEIGHT	TV with Stand (Standard position) (W x H x D)	122.7 x 73.8 x 32.7 cm	1227 x 738 x 330 mm / 48 3/8 x 29 1/8 x 13 inch	1227 x 738 x 330 mm	Approx. 122.7 x 73.8 x 32.7 cm	Approx. 1227 x 738 x 327 mm	Approx. 1227 x 738 x 327 mm	Approx. 1227 x 753 x 327 mm
	TV with Stand (Narrow position) (W x H x D)	122.7 x 73.8 x 32.7 cm	1227 x 738 x 330 mm / 48 3/8 x 29 1/8 x 13 inch	1227 x 738 x 330 mm	Approx. 122.7 x 73.8 x 32.7 cm	Approx. 1227 x 738 x 327 mm	Approx. 1227 x 738 x 327 mm	Approx. 1227 x 753 x 327 mm
	TV with Stand (Soundbar position) (W x H x D)	122.7 x 78.0 x 32.7 cm	1227 x 780 x 330 mm / 48 3/8 x 30 3/4 x 13 inch	1227 x 780 x 330 mm	Approx. 122.7 x 78.0 x 32.7 cm	Approx. 1227 x 780 x 327 mm	Approx. 1227 x 780 x 327 mm	Approx. 1227 x 795 x 327 mm
	TV with Stand (Front position style) (W x H x D)	-	-	-	-	-	-	-
	TV with Stand (Back position style) (W x H x D)	-	-	-	-	-	-	-
	TV with Floor Stand (W x H x D)	-	-	-	-	-	-	-
	Stand Width (Standard position)	116.4 cm	1184 mm / 46 5/8 inch	1184 mm	Approx. 116.4 cm	Approx. 1164 mm	Approx. 1164 mm	Approx. 1164 mm
	Stand Width (Narrow position)	86.7 cm	847 mm / 33 3/8 inch	847 mm	Approx. 86.7 cm	Approx. 867 mm	Approx. 867 mm	Approx. 867 mm
	Stand Width (Soundbar position)	116.4 cm	1184 mm / 46 5/8 inch	1184 mm	Approx. 116.4 cm	Approx. 1164 mm	Approx. 1164 mm	Approx. 1164 mm
	Stand Width (Front position style)	-	-	-	-	-	-	-
	Stand Width (Back position style)	-	-	-	-	-	-	-
	Floor Stand Width	-	-	-	-	-	-	-
VESA Hole Pitch	30.0 x 30.0 cm	300 x 300 mm / 11 7/8 x 11 7/8 inch	300 x 300 mm	30.0 x 30.0 cm	300 x 300 mm	300 x 300 mm	300 x 300 mm	
REMARKS	TV Only	17.9 kg	17.9 kg / 39.5 lb	17.9 kg	Approx. 17.9 kg	Approx. 17.9 kg	Approx. 17.9 kg	Approx. 17.9 kg
	TV with Stand (Standard position)	18.8 kg	19.5 kg / 43 lb	19.5 kg	Approx. 18.8 kg	Approx. 18.8 kg	Approx. 18.8 kg	Approx. 18.9 kg
	TV with Stand (Narrow position)	18.8 kg	19.5 kg / 43 lb	19.5 kg	Approx. 18.8 kg	Approx. 18.8 kg	Approx. 18.8 kg	Approx. 18.9 kg
	TV with Stand (Soundbar position)	18.8 kg	19.5 kg / 43 lb	19.5 kg	Approx. 18.8 kg	Approx. 18.8 kg	Approx. 18.8 kg	Approx. 18.9 kg
	TV with Stand (Front/Back position style)	-	-	-	-	-	-	-
	TV with Floor Stand	-	-	-	-	-	-	-
	Floor Stand weight (Supply)	-	-	-	-	-	-	-
	W-M't Br. Weight (Supply)	-	-	-	-	-	-	-
Remarks		3 Way	3 Way	3 Way	3 Way	3 Way	3way	

WITH STAND  
STANDARD POSITION  
FOR ALL EXCEPT LA/NA



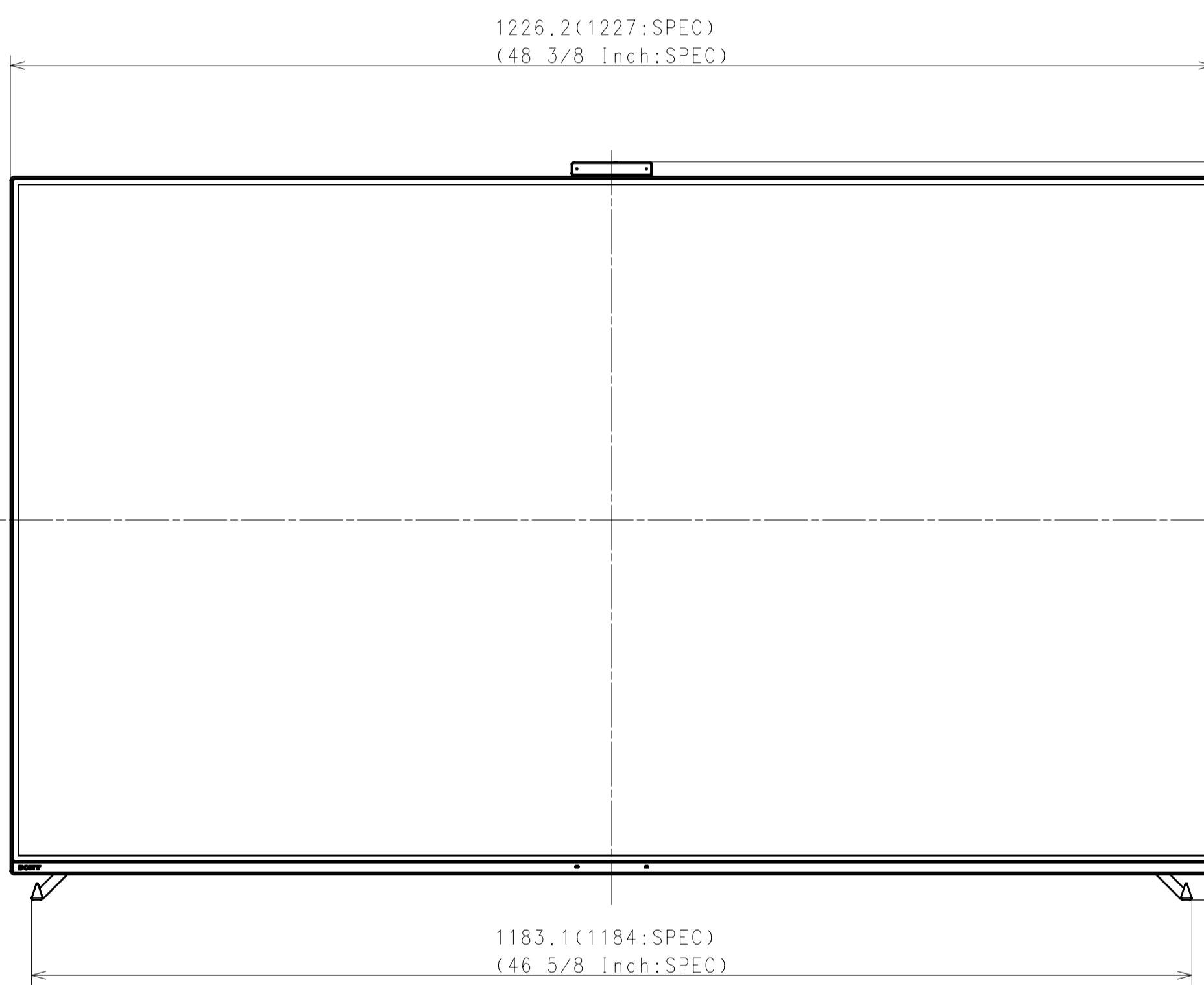
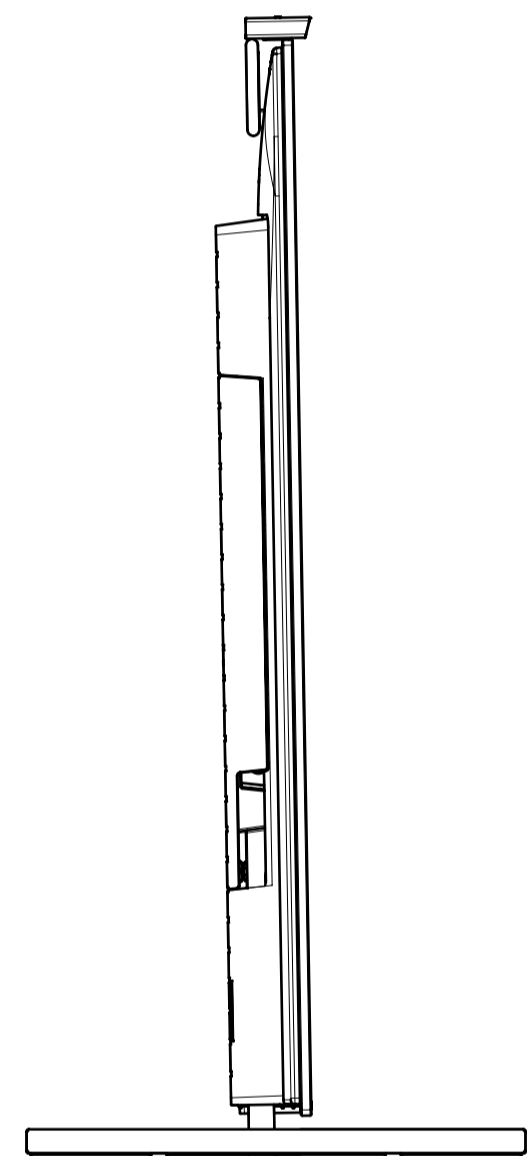
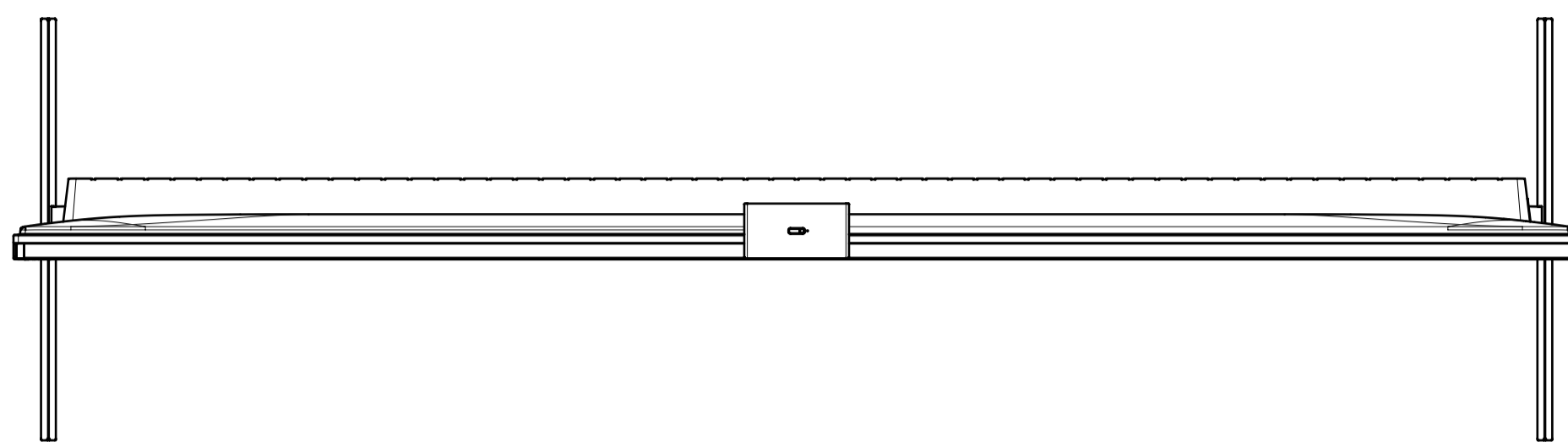
Remark:  
The camera is bundled for A80EL only and is sold separately in other regions.  
カメラはA80ELのみ付属されており、他のモデルは別売となります

Purchase recycled resins and wire rods only from the business partners that Sony approves as Green Partners.  
再生樹脂・電線電纜はグリーンパートナー認定業者から調達してください。

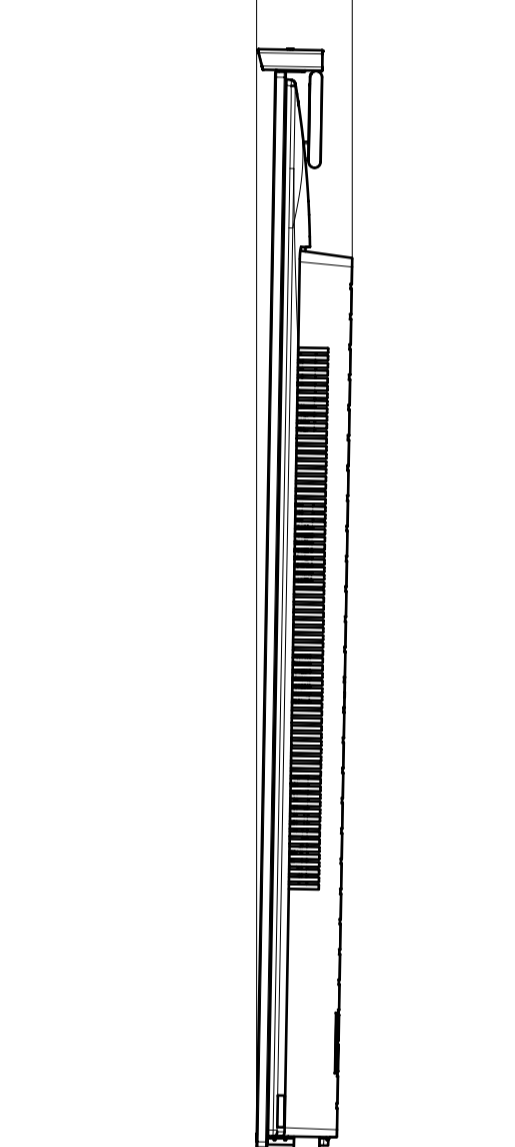
GENERAL TOLERANCE DATE OF ISSUE		DOCUMENT TYPE PART	
MATERIAL COLOR		FINISH COLOR	
Sony Corporation			
RESPONSIBLE DEPARTMENT Panel & Mechanical Design		ORIGINAL MODEL 55(A80L) EXTERIOR VIEW	
PLANNED BY 2022.10.18 SUSYAT01		CHECKED BY APPROVED BY SCALE 1:5 TENTATIVE MODEL 55(A80L) EXTERIOR VIEW	
DRAWN BY 2022.10.18 SUSYAT01		SIZE A1 UNIT mm SHEET/PAGES 1/7	

WITH STAND

STANDARD POSITION  
FOR LA/NA ONLY

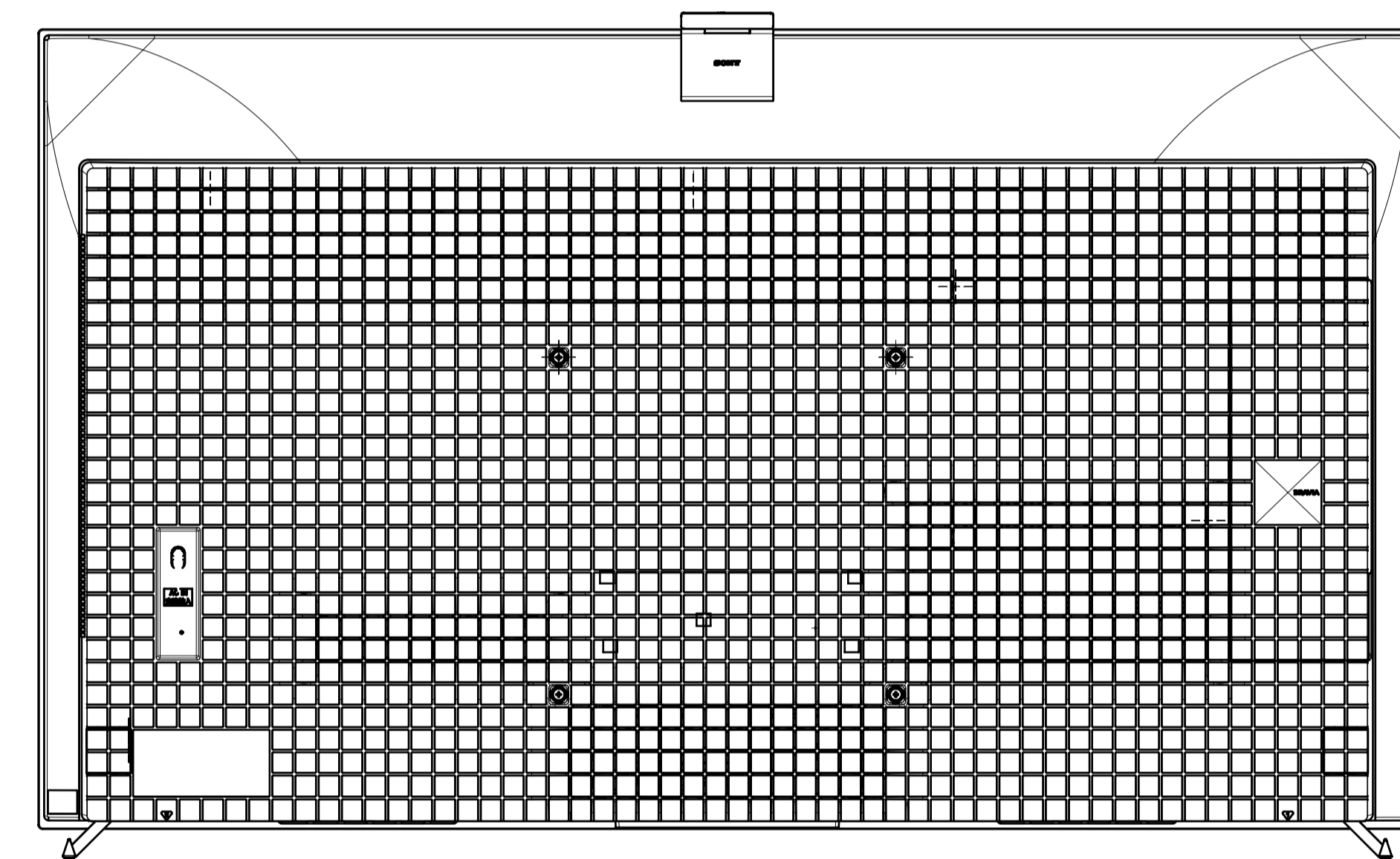


63.3  
(2 5/8)



141.7  
(5 5/8 Inch)

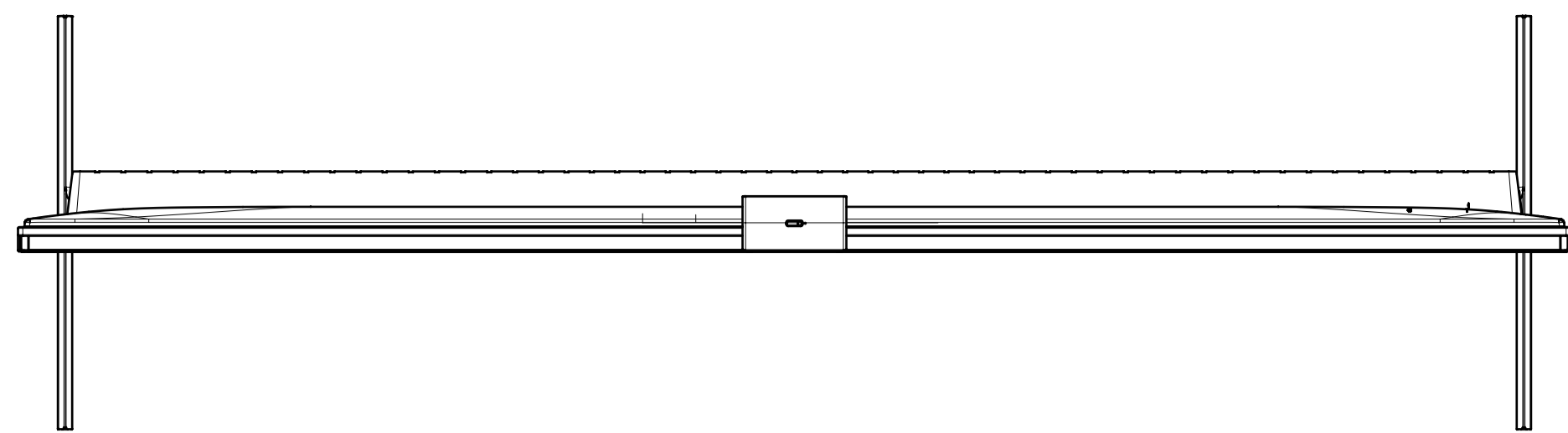
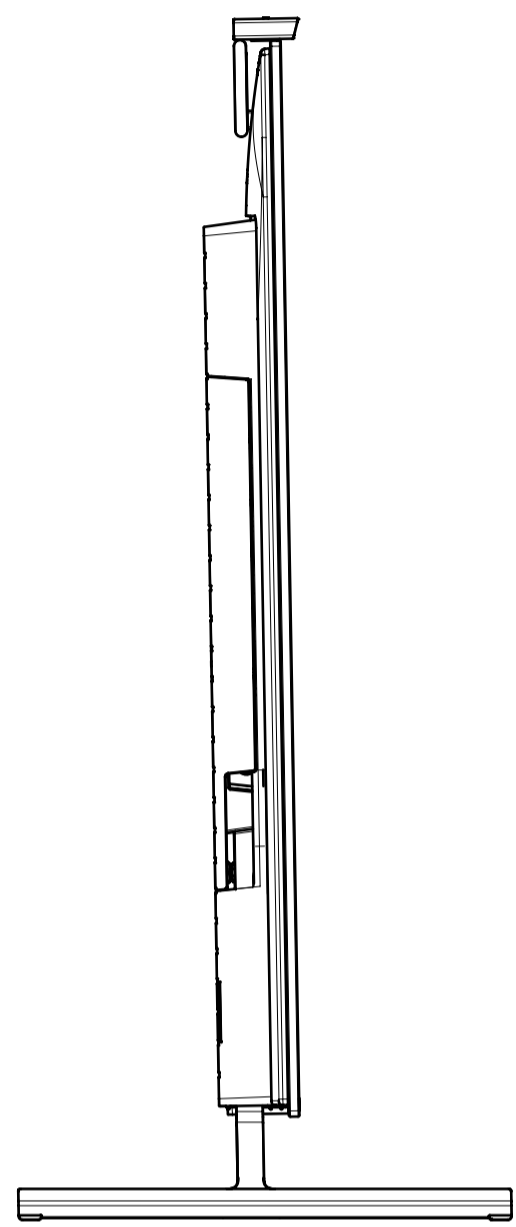
330 (330:SPEC)  
(13 Inch:SPEC)



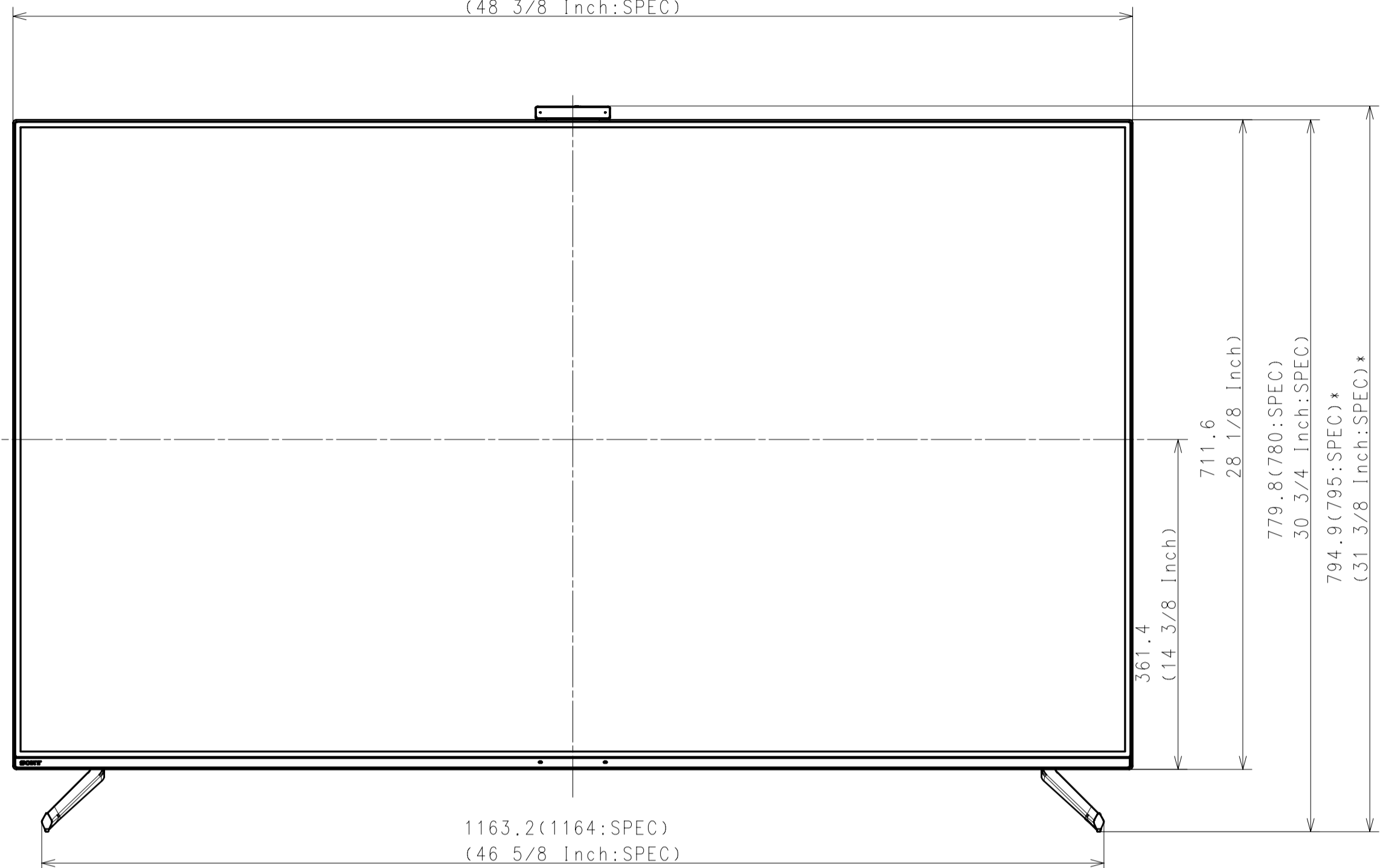
DESCRIPTION 1	LEGAL OWNER	SCALE
55(A80L) EXTERIOR VIEW	Sony Corporation	1:5
DESCRIPTION 2	PART NO.	SHEET/PAGES
55(A80L) EXTERIOR VIEW		2 / 7

WITH STAND

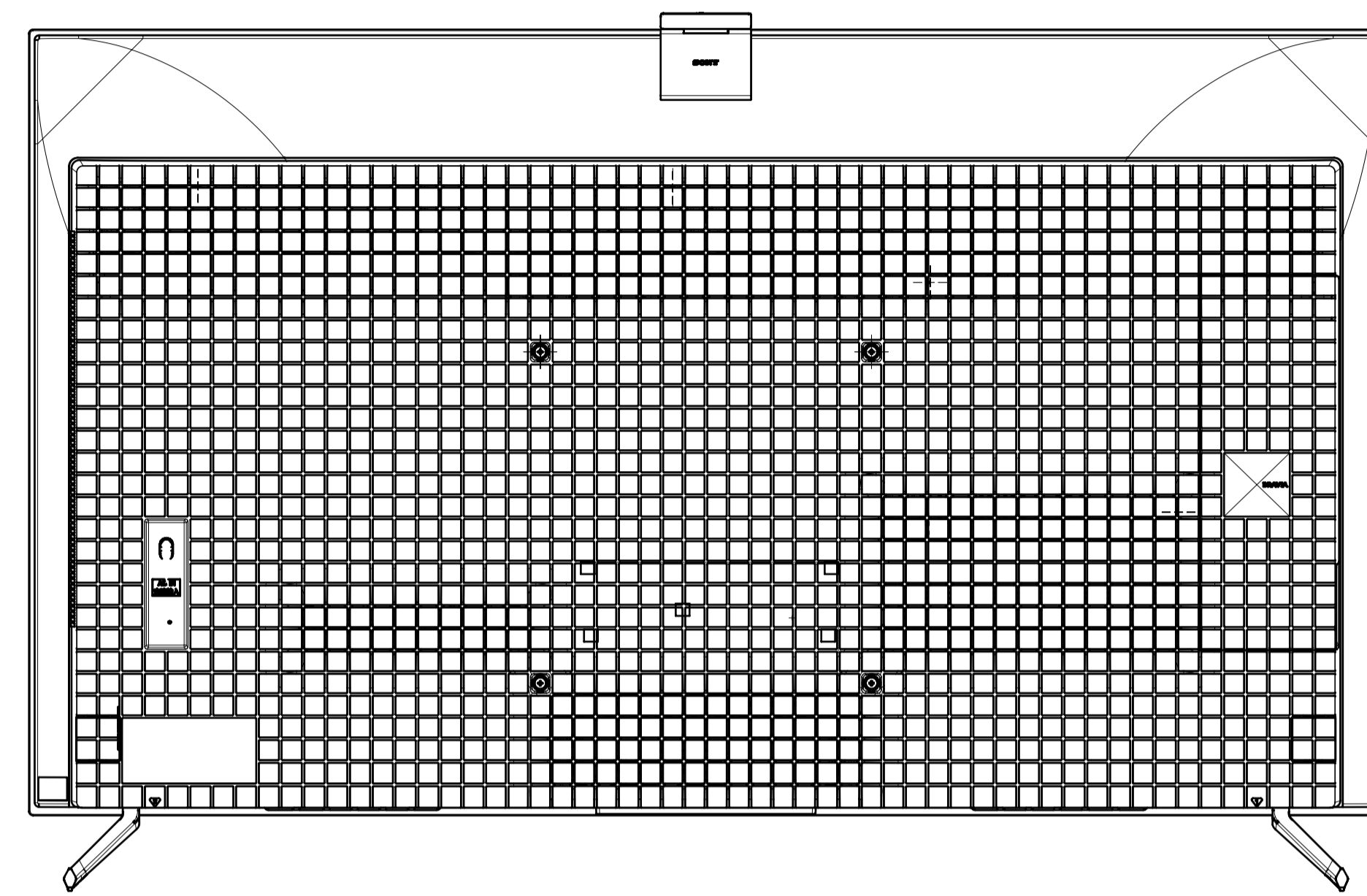
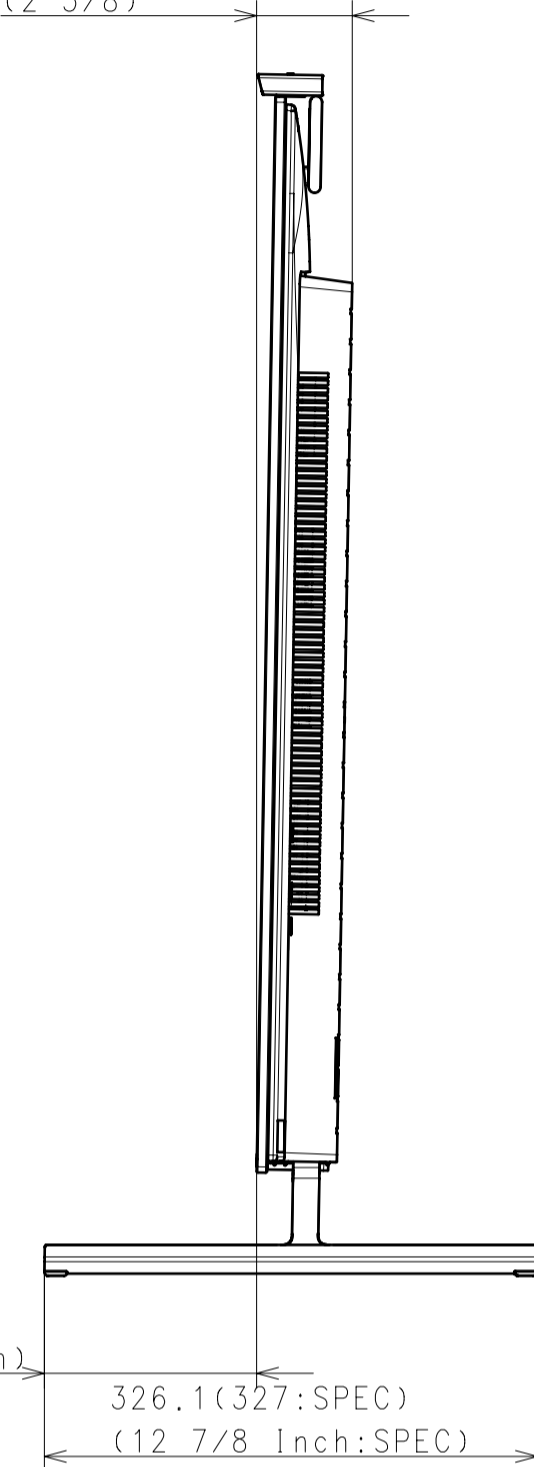
SOUNDBAR POSITION FOR ALL EXCEPT LA/NA



1226.2(1227:SPEC)  
(48 3/8 Inch:SPEC)

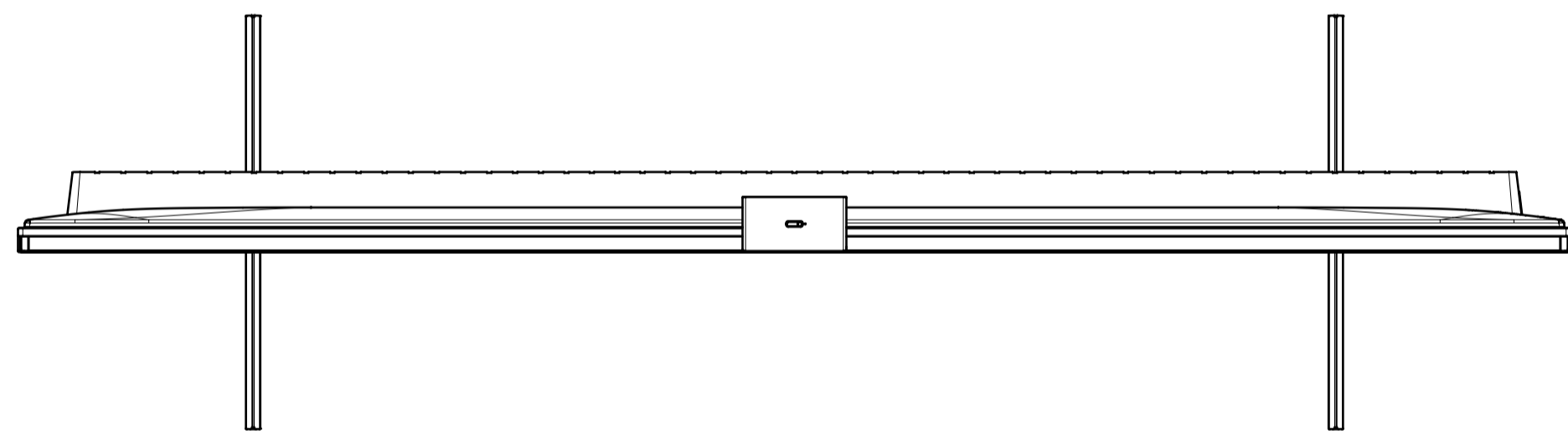
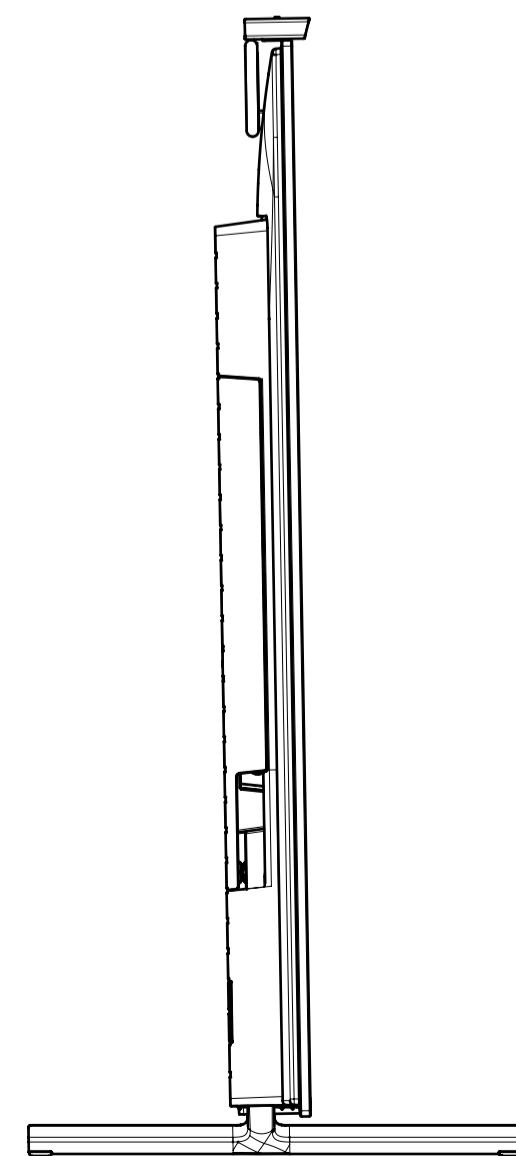


63.3  
(2 5/8)

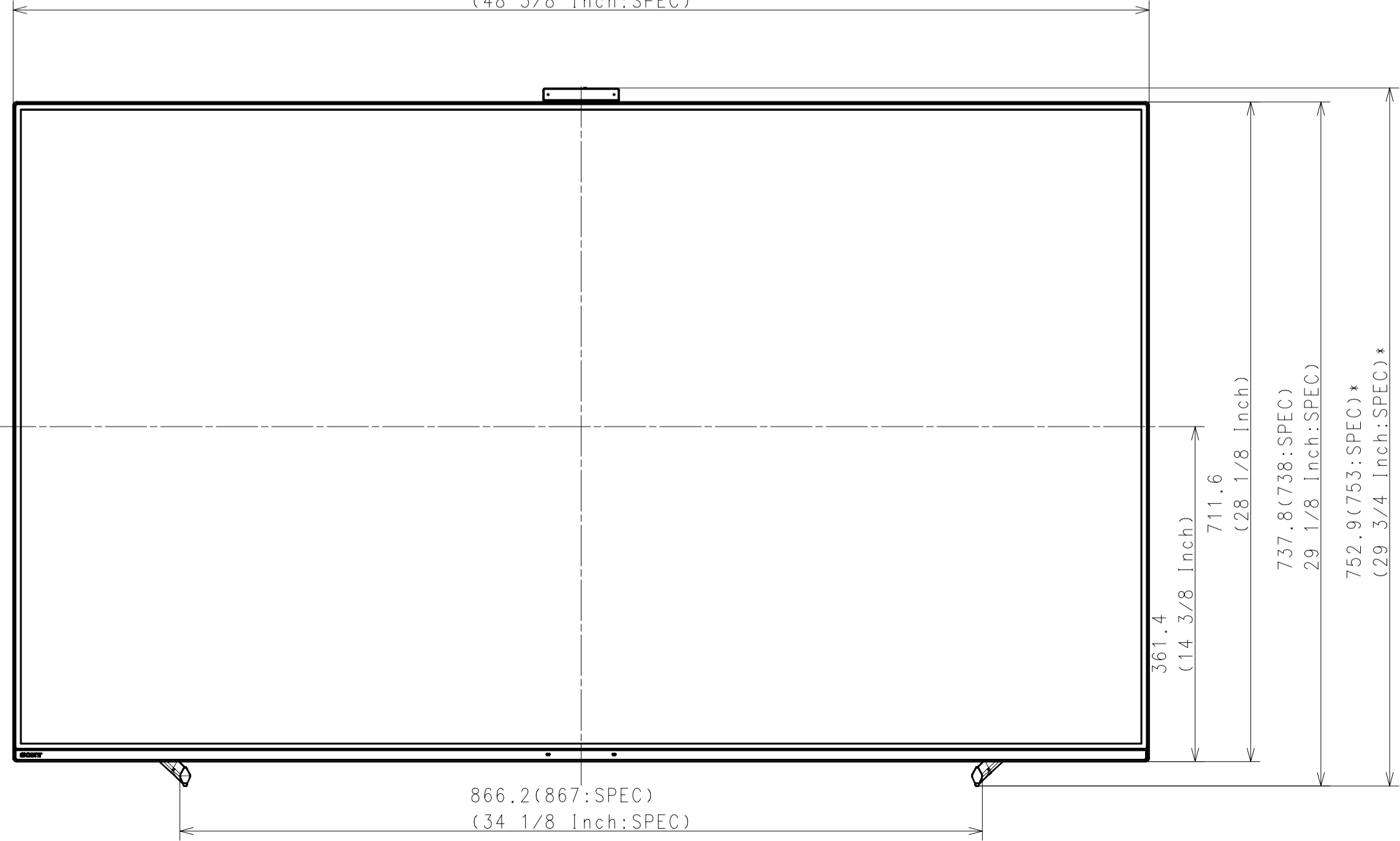


WITH STAND

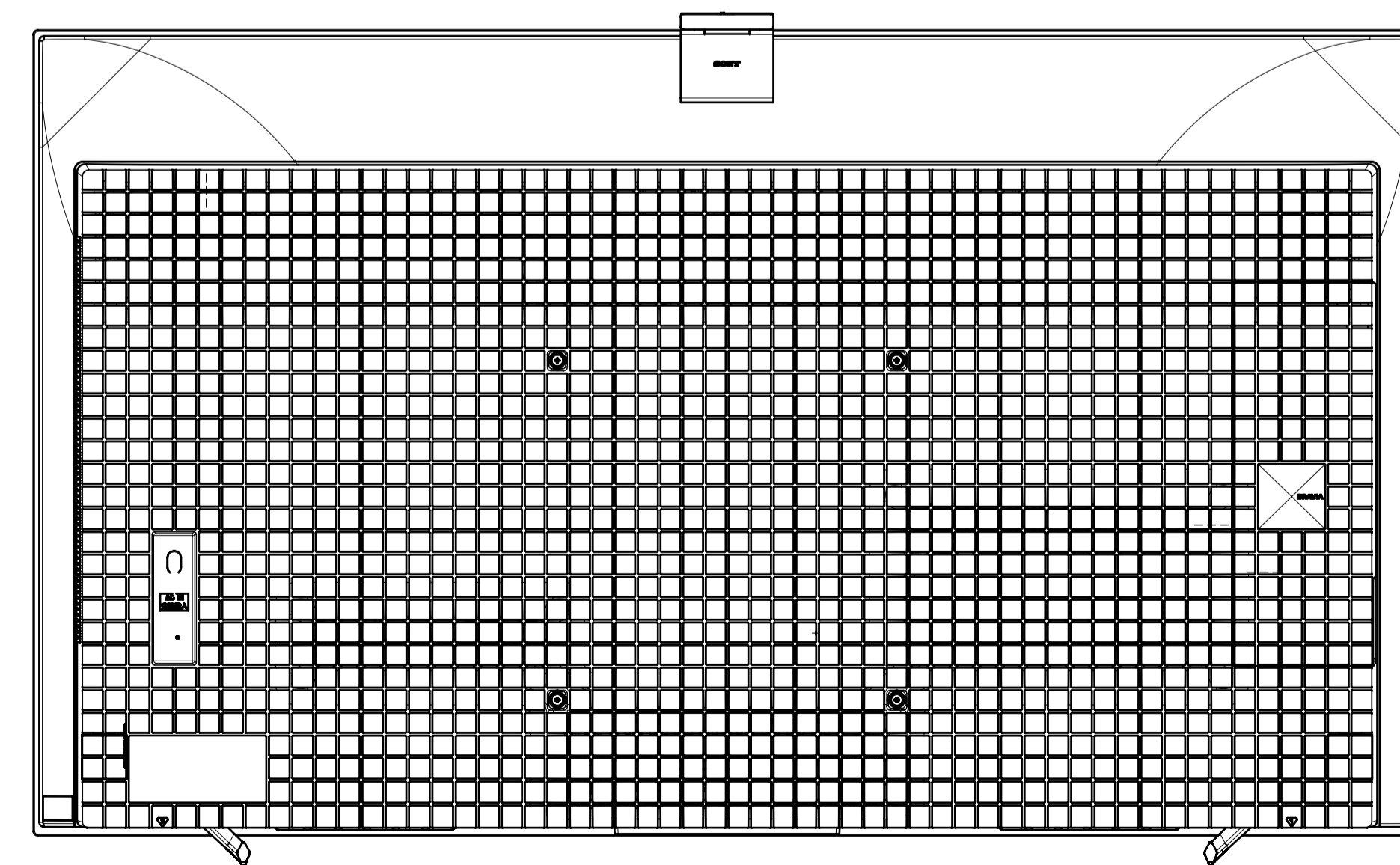
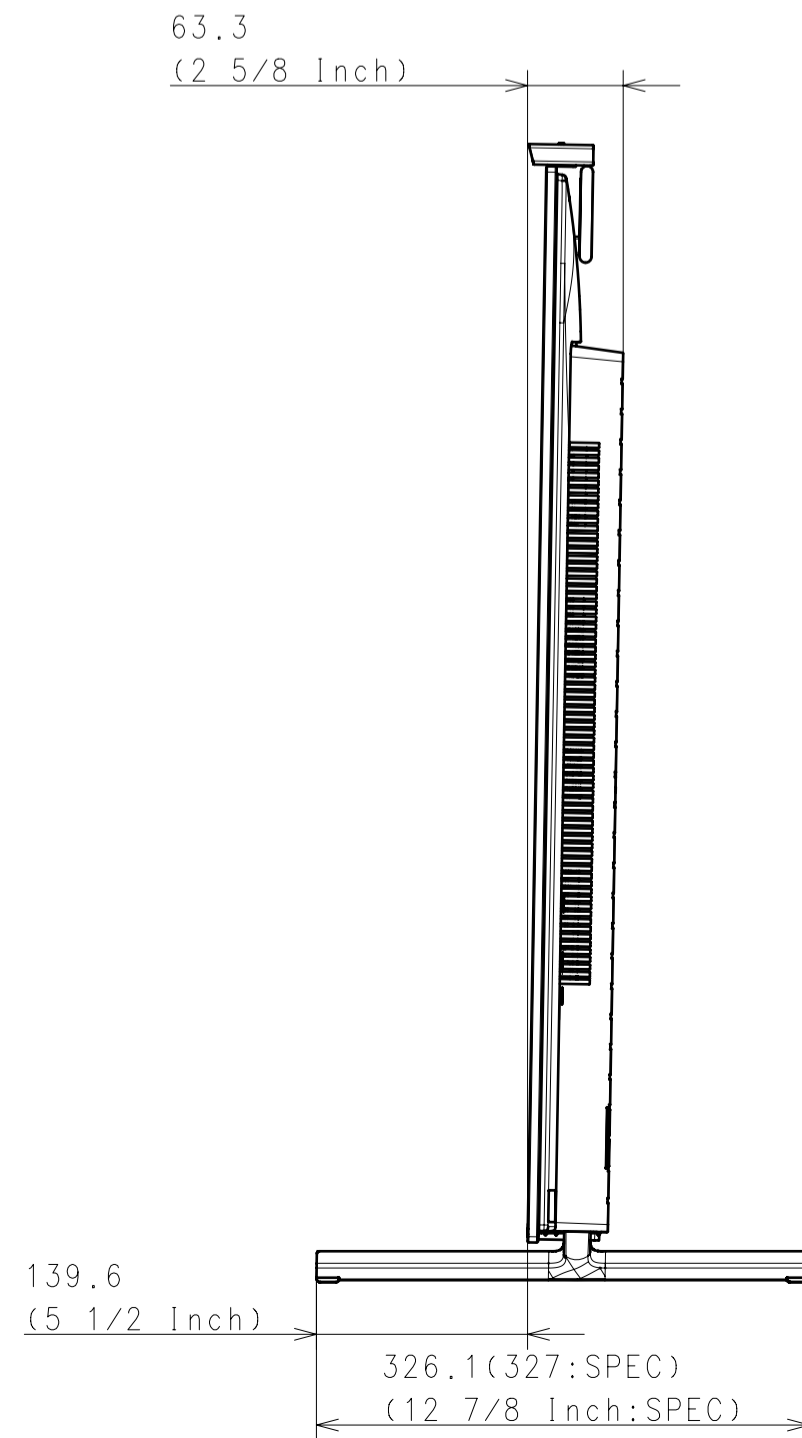
NARROW POSITION FOR ALL EXCEPT LA/NA



1226.2(1227:SPEC)  
(48 3/8 Inch:SPEC)



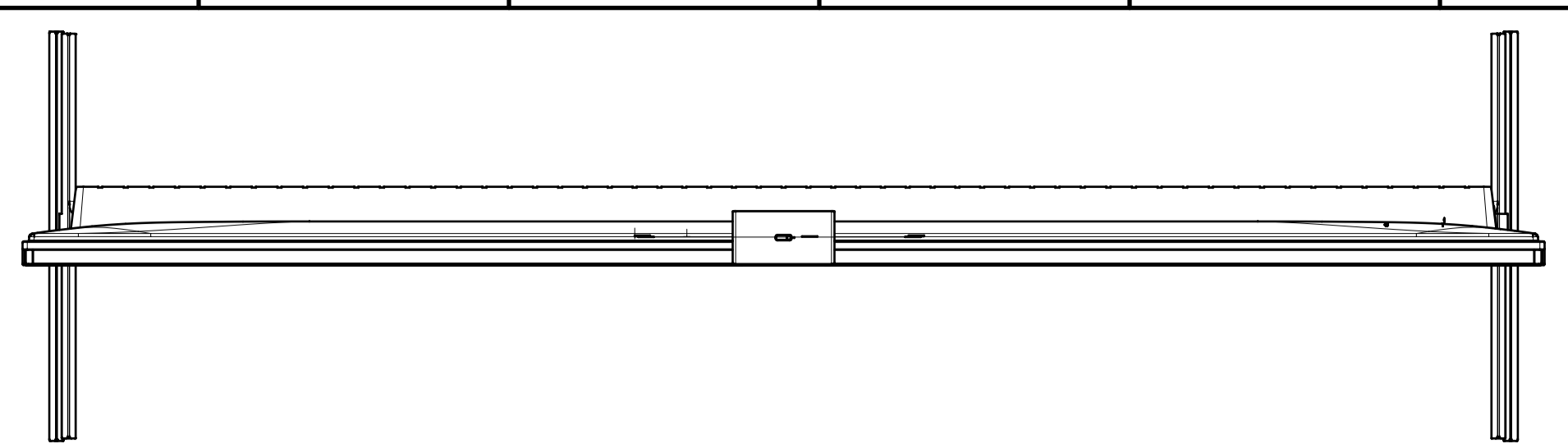
63.3  
(2 5/8 Inch)



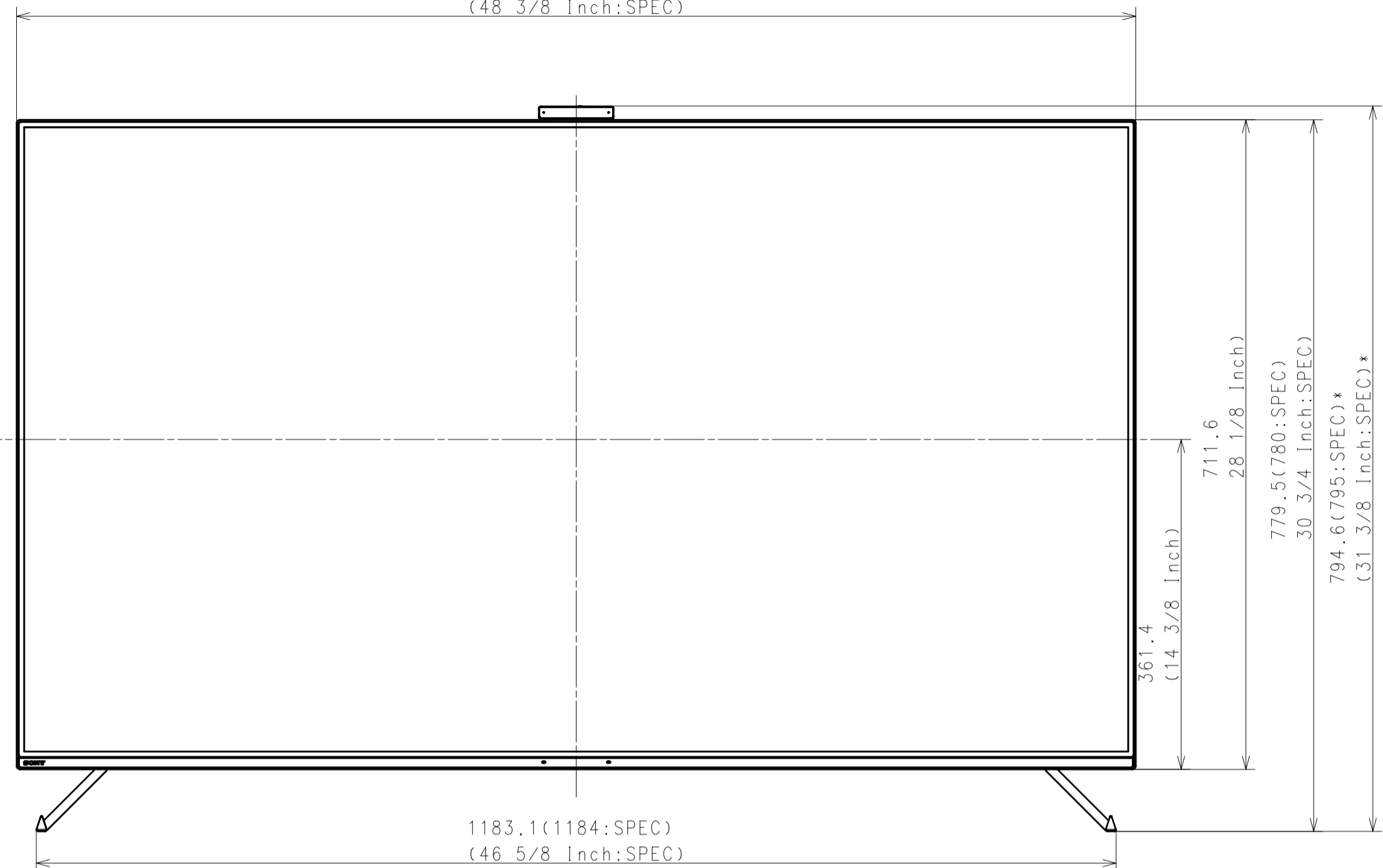
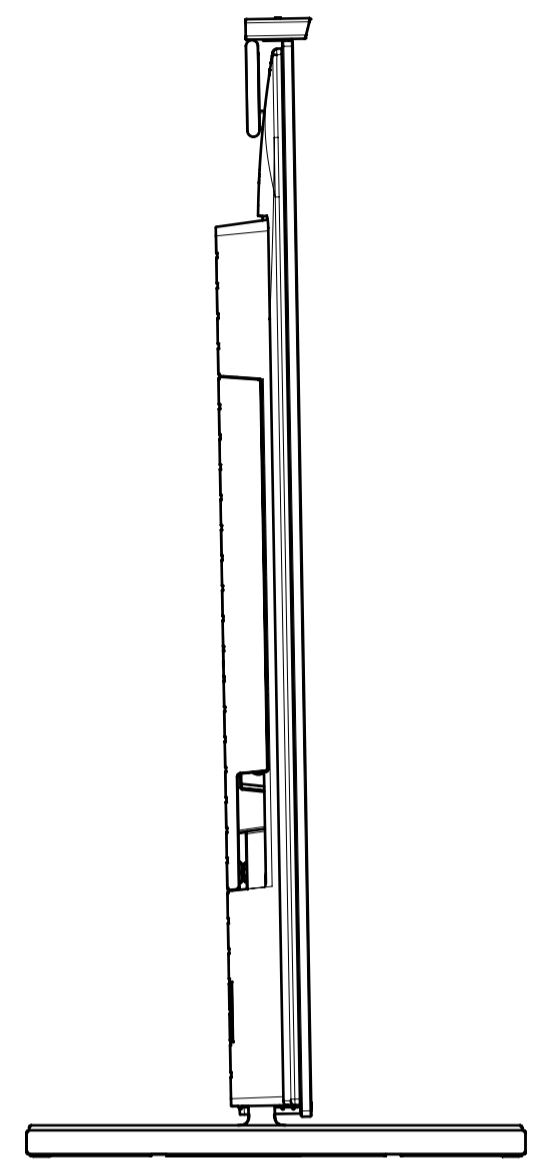
DESCRIPTION 1	LEGAL OWNER	SCALE
55(A80L) EXTERIOR VIEW	Sony Corporation	1:5
DESCRIPTION 2	PART NO.	SHEET/PAGES
55(A80L) EXTERIOR VIEW		3 / 7

WITH STAND

SOUNDBAR POSITION FOR LA/NA ONLY



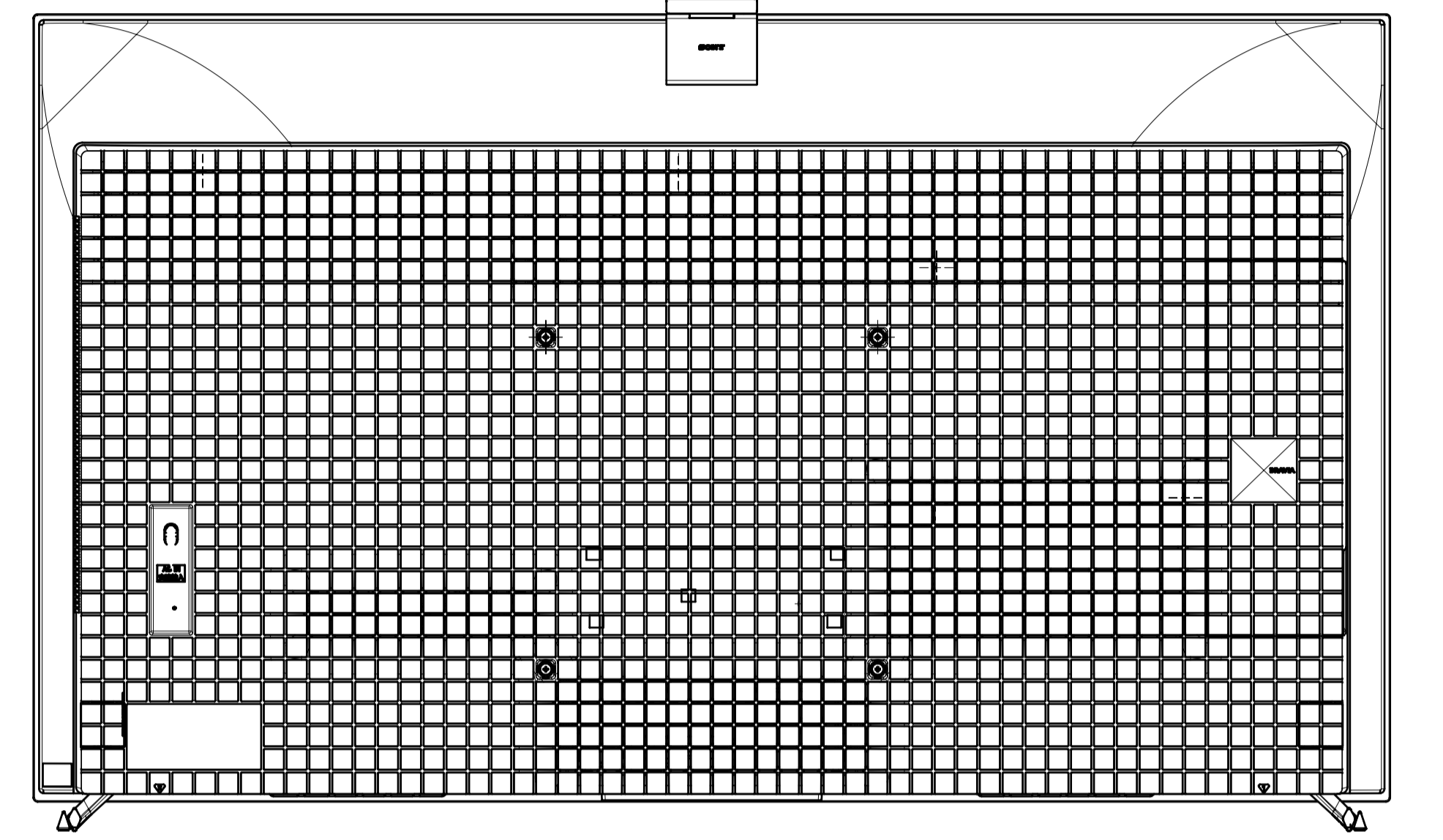
1226.2(1227:SPEC)  
(48 3/8 Inch:SPEC)



63.3  
(2 5/8)

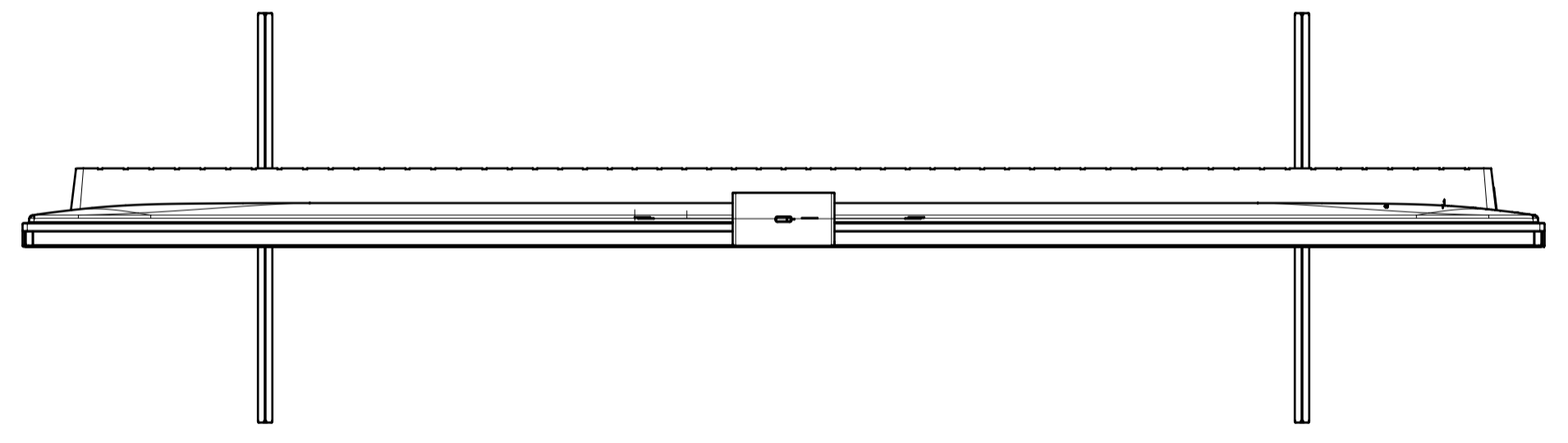
142.4  
(5 3/4 Inch)

330(330:SPEC)  
(13 Inch:SPEC)

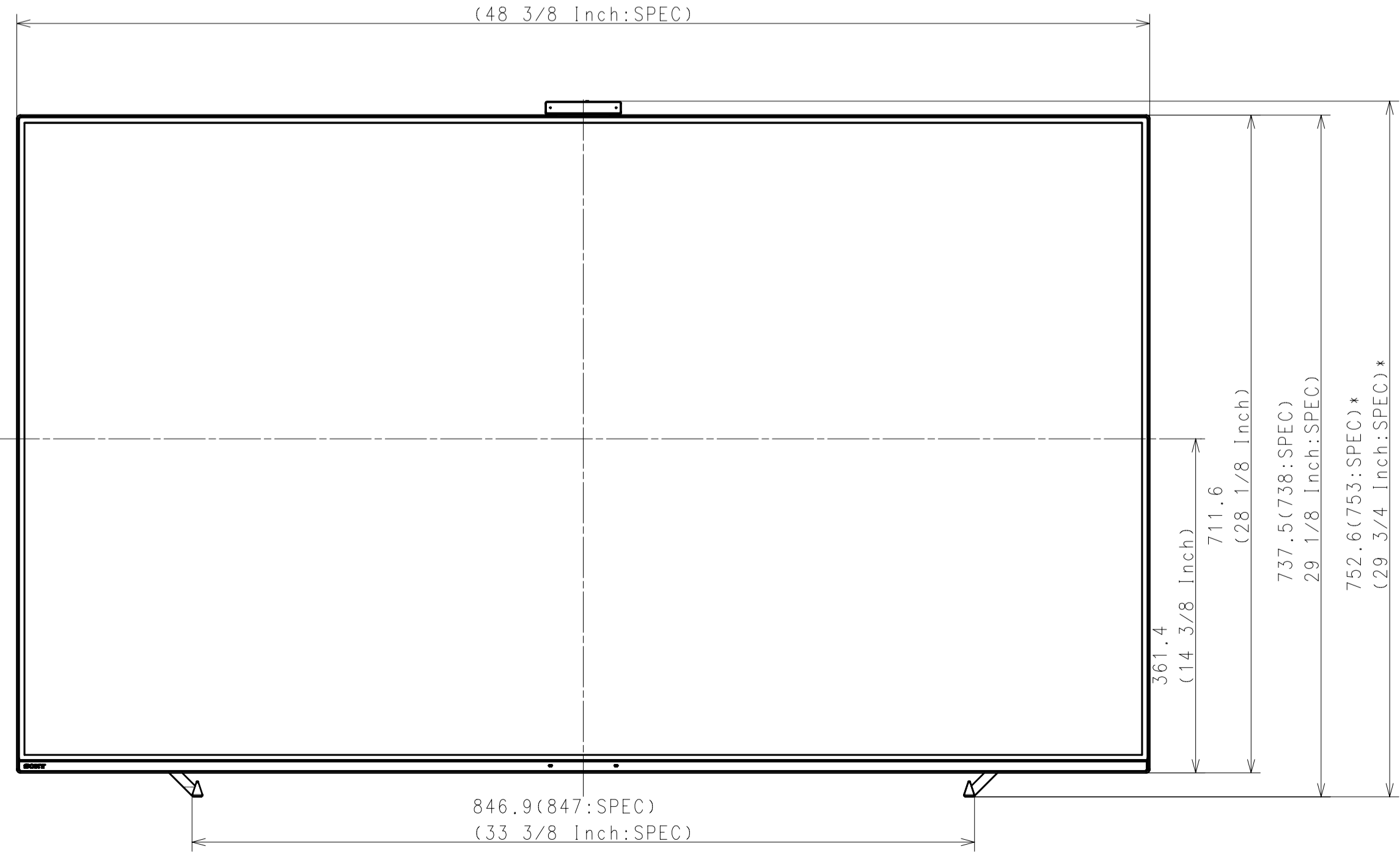
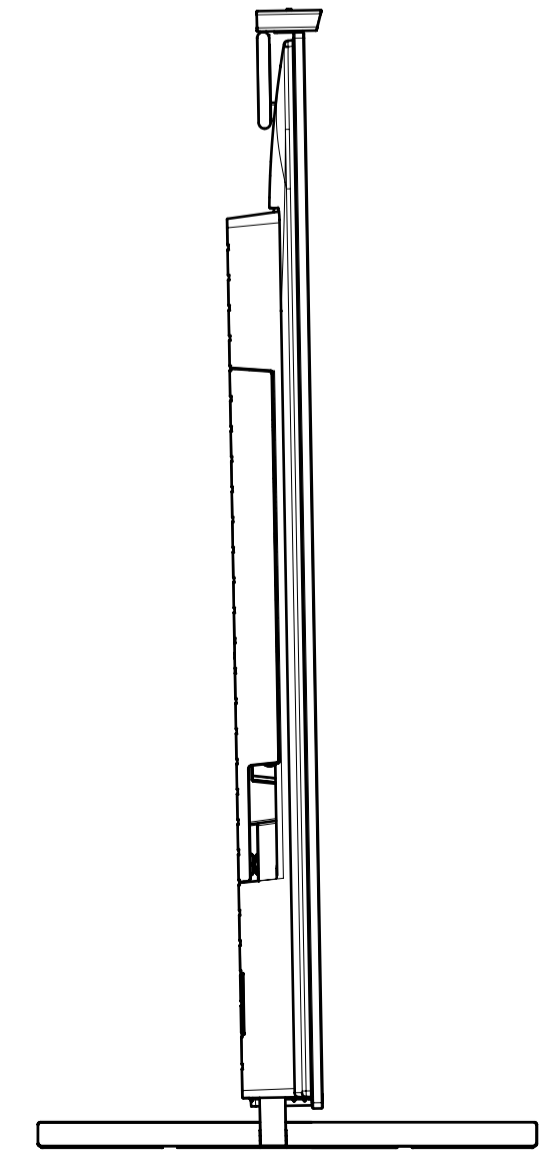


WITH STAND

NARROW POSITION FOR LA/NA ONLY



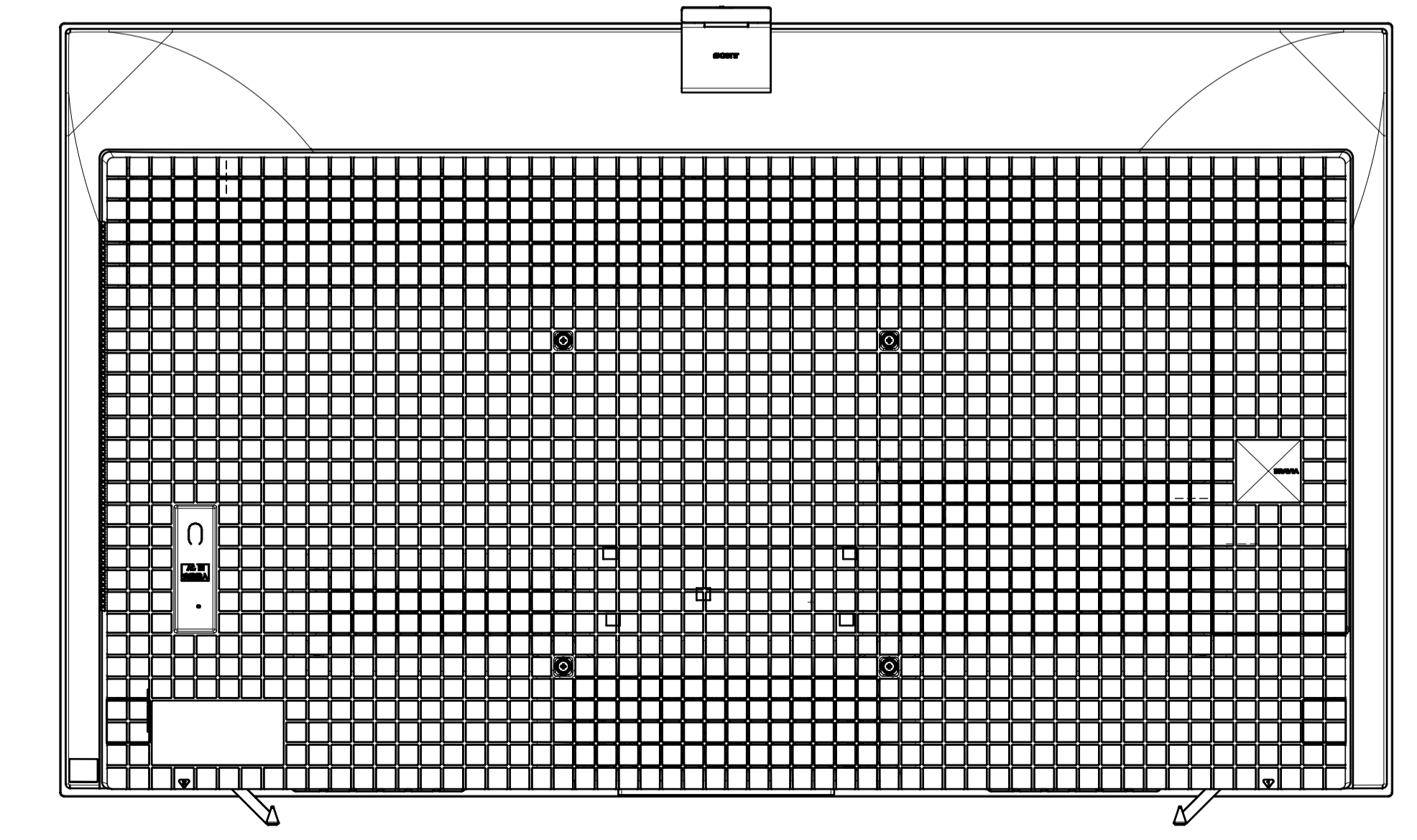
1226.2(1227:SPEC)  
(48 3/8 Inch:SPEC)



63.3  
(2 5/8 Inch)

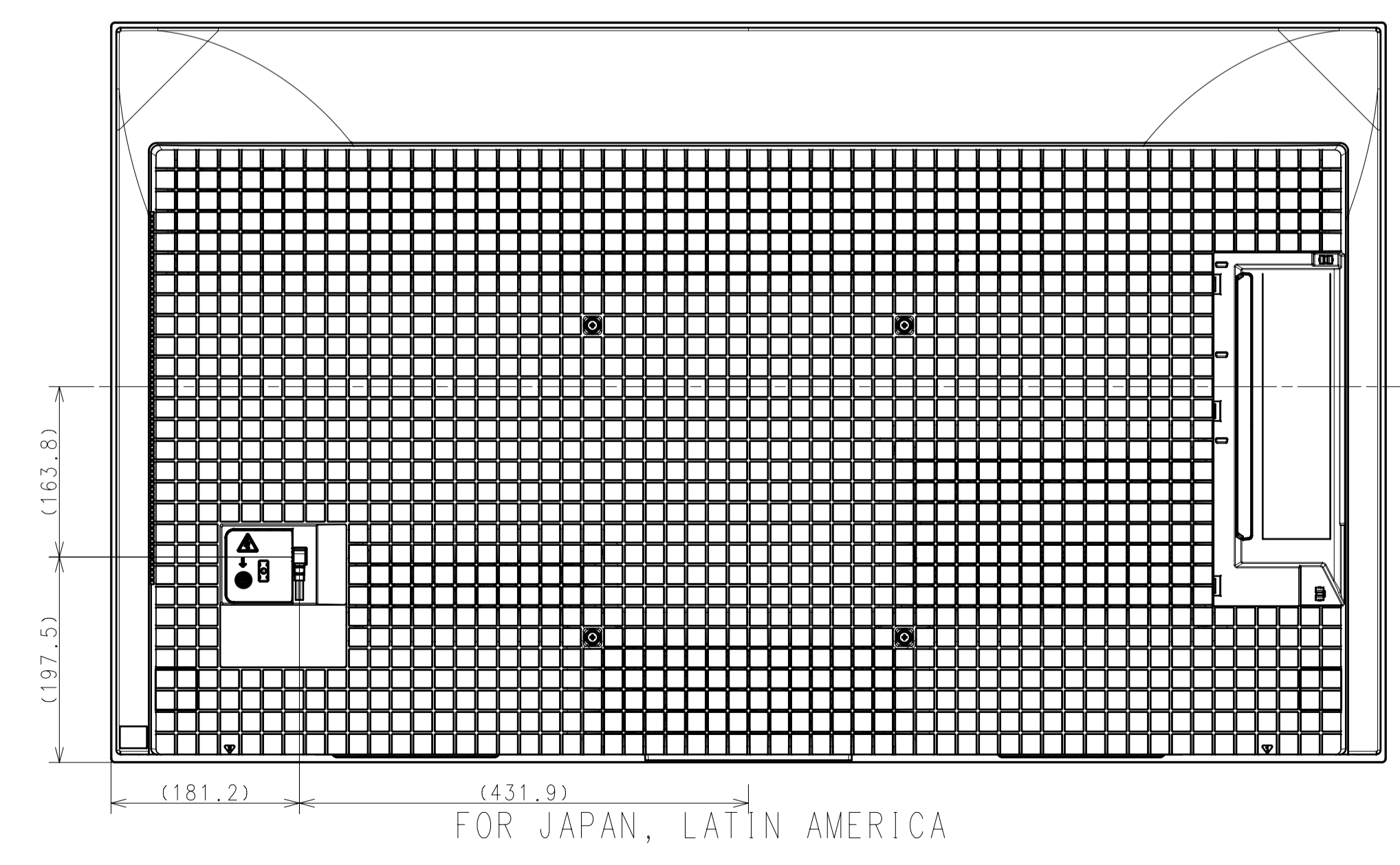
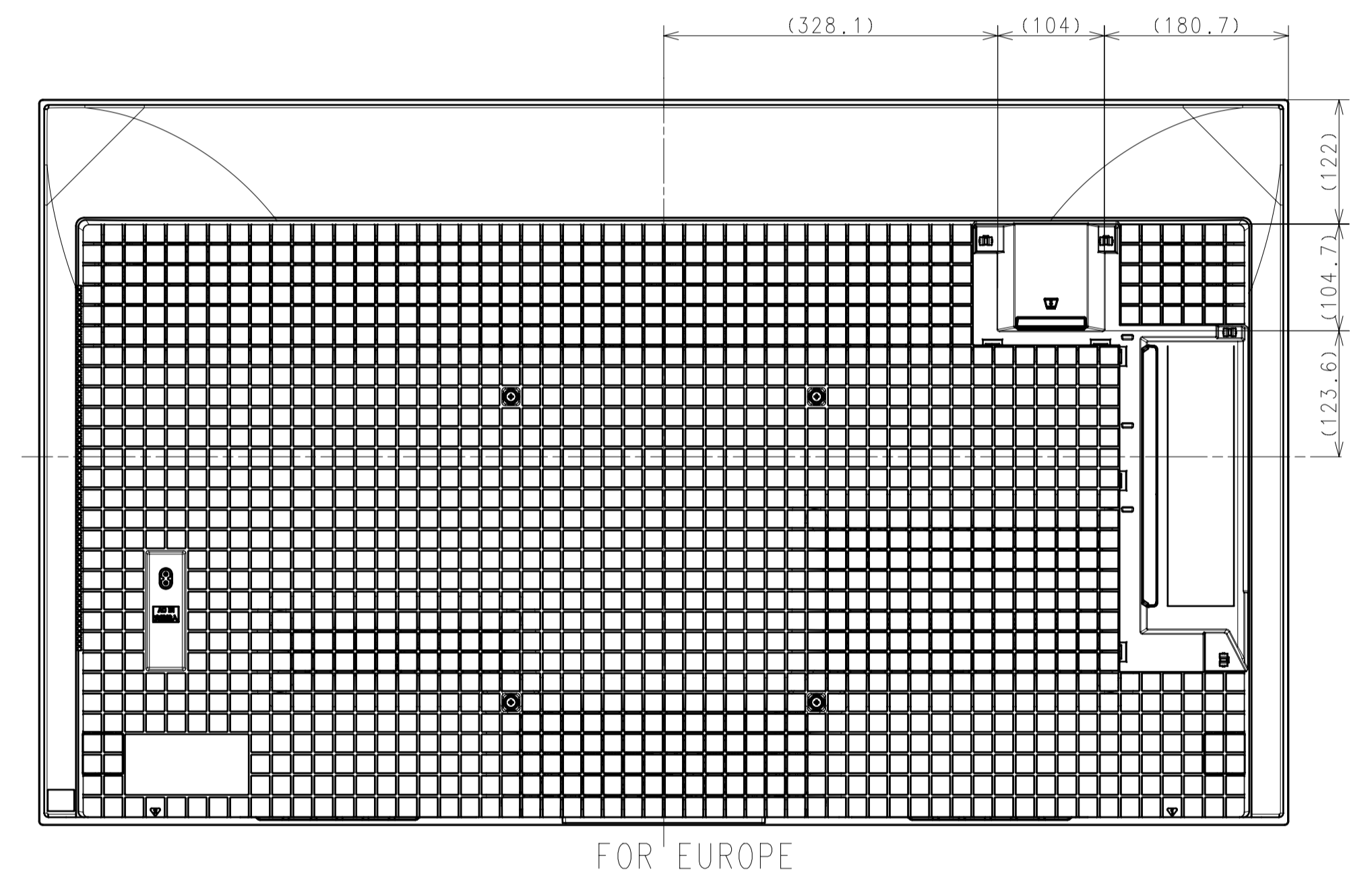
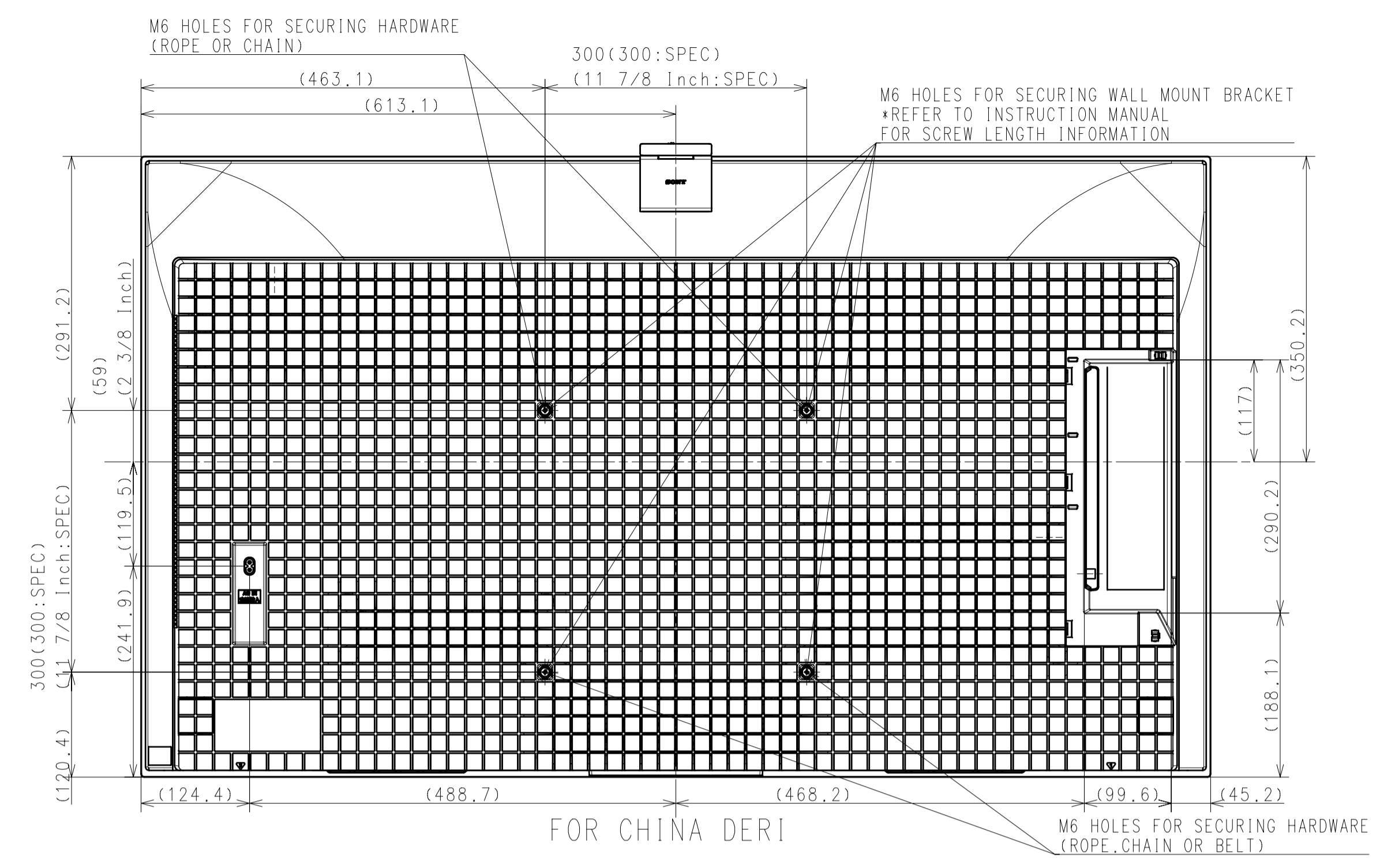
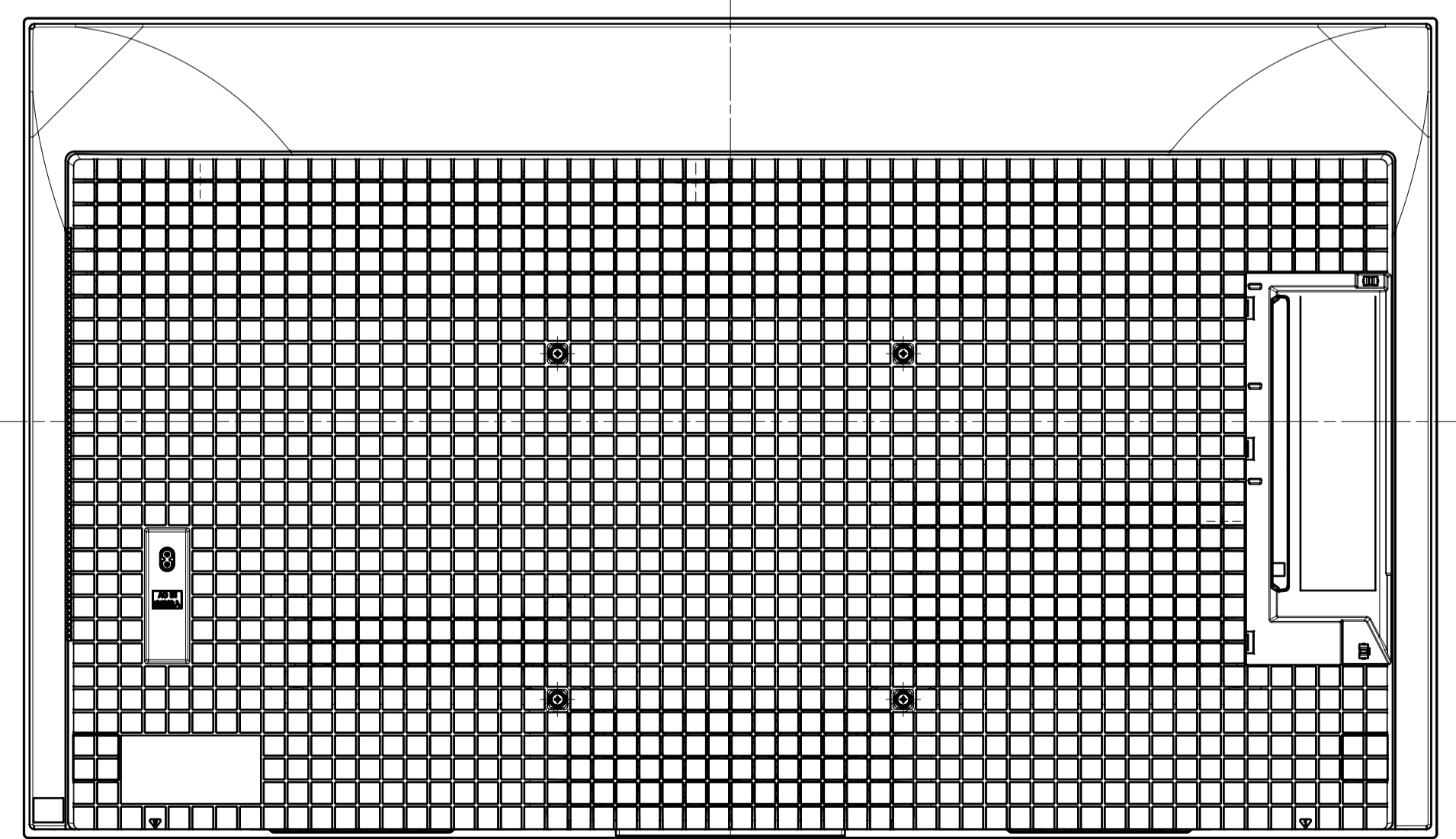
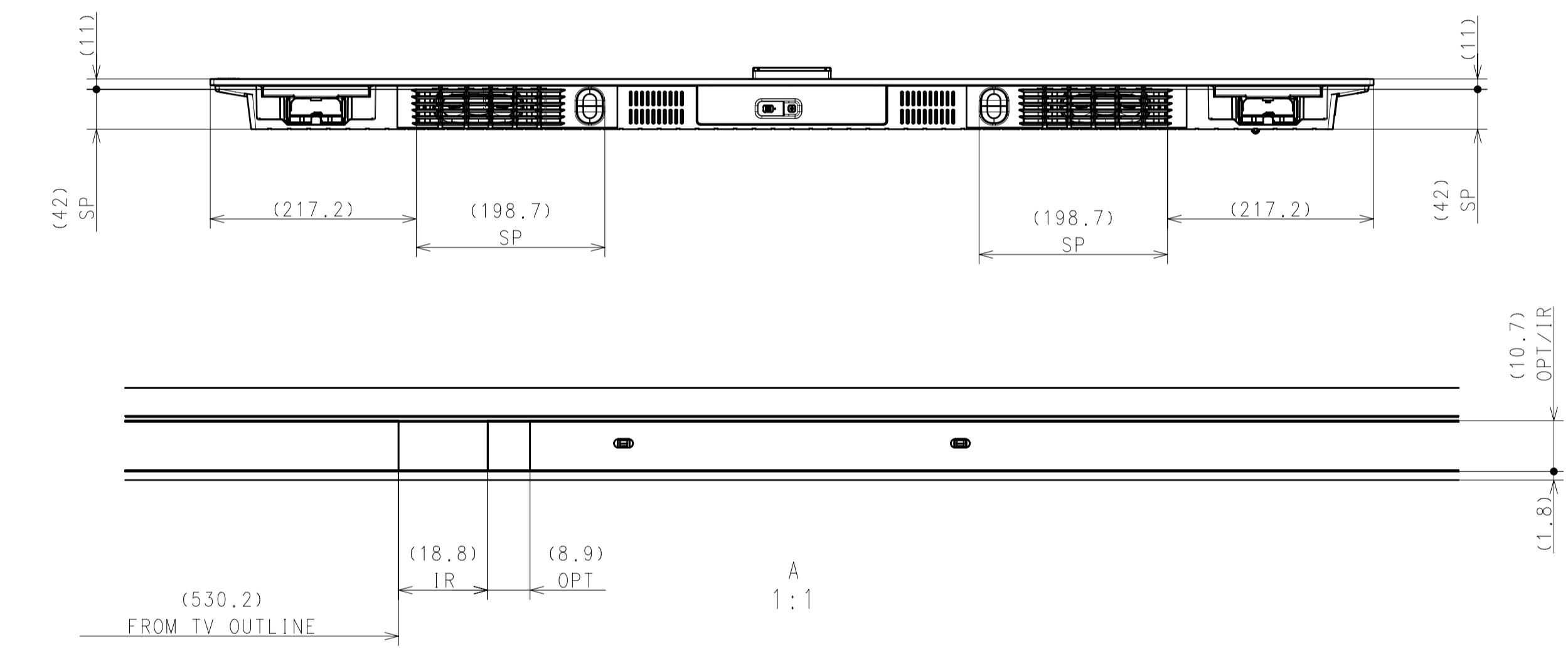
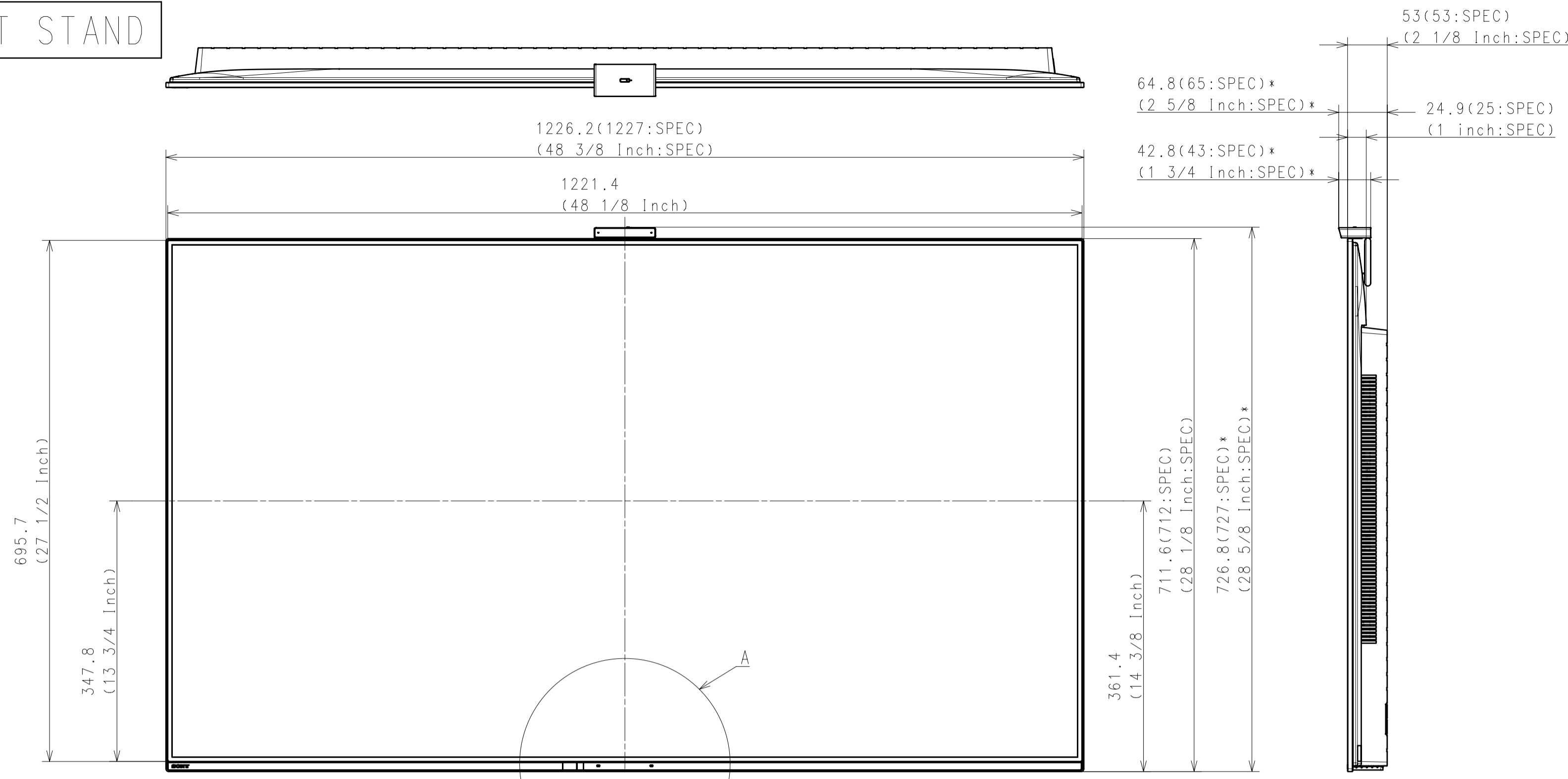
141.7  
(5 5/8 Inch)

330(330:SPEC)  
(13 Inch:SPEC)



DESCRIPTION 1	55(A80L) EXTERIOR VIEW	LEGAL OWNER	Sony Corporation	SCALE	1:5
DESCRIPTION 2	55(A80L) EXTERIOR VIEW	PART NO.		SHEET/PAGES	4 / 7

WITHOUT STAND



DESCRIPTION	LEGAL OWNER	SCALE
55(A80L) EXTERIOR VIEW	Sony Corporation	1:5
55(A80L) EXTERIOR VIEW	PART NO.	SHEET/PAGES
		5/7

SU-WL450

# STANDARD

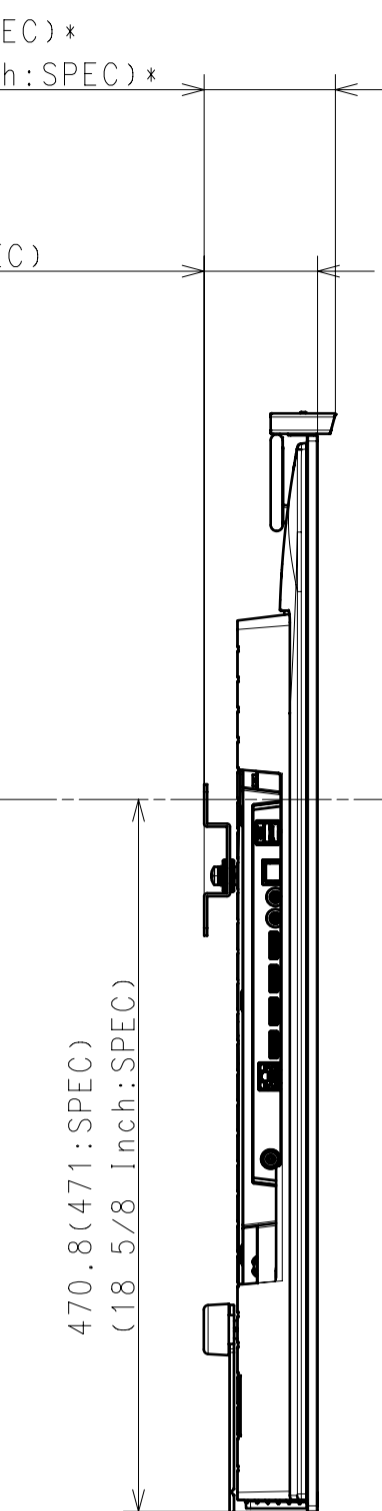
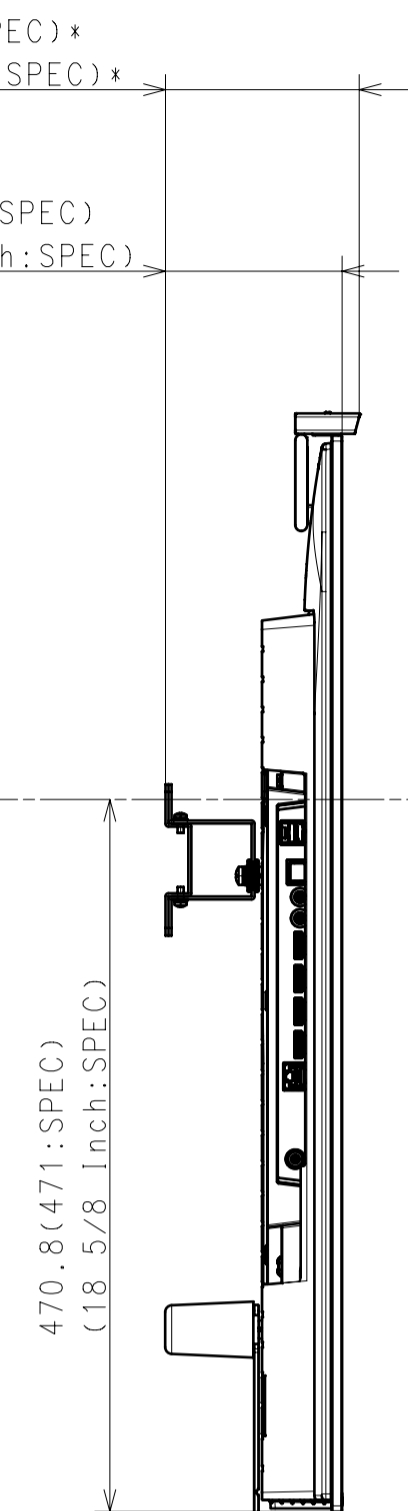
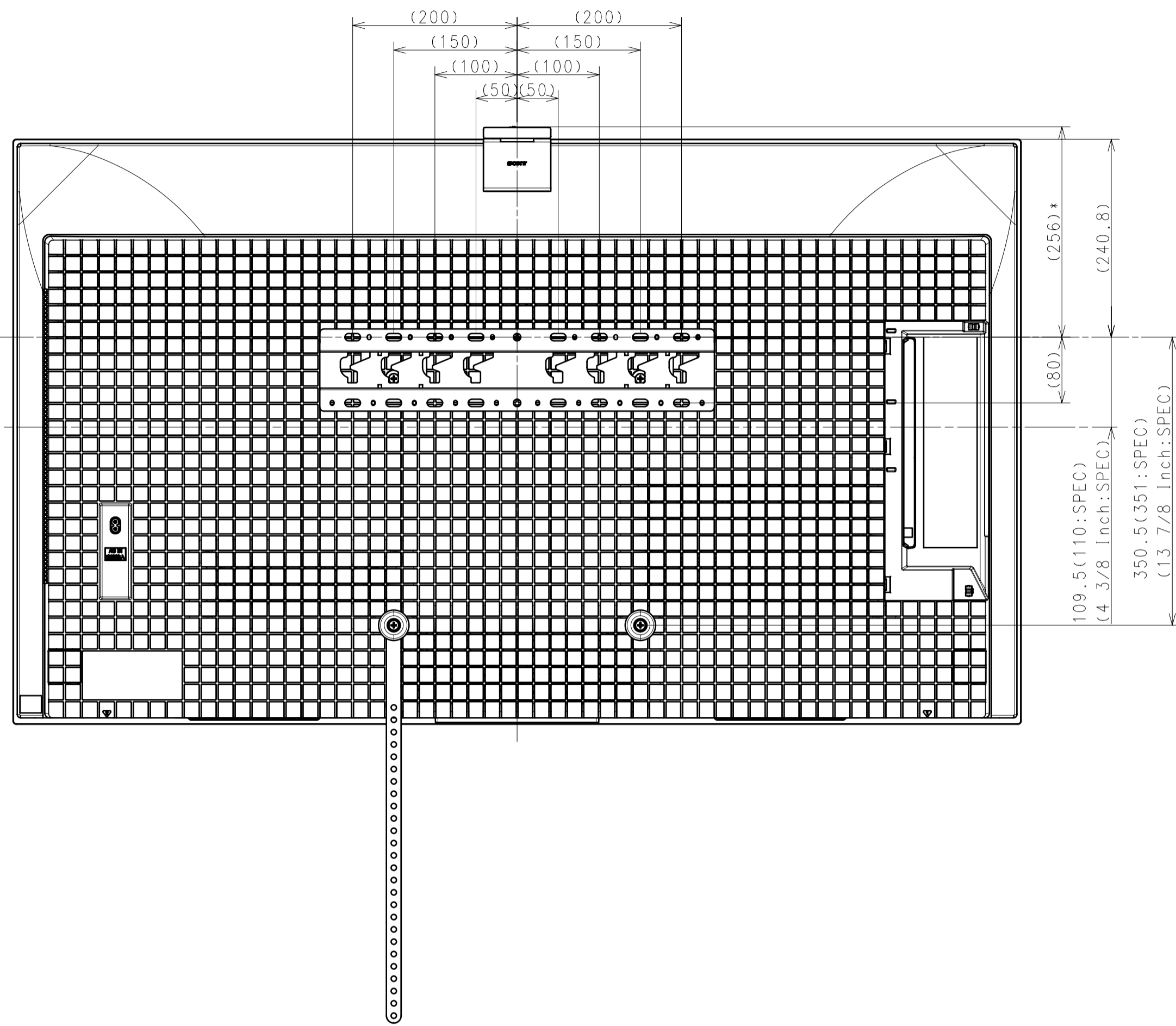
# SLIM

128.1(129:SPEC)\*  
(5 1/8 Inch:SPEC)\*

86.8(87:SPEC)\*  
(3 1/2 Inch:SPEC)\*

116.8(117:SPEC)  
(4 5/8 Inch:SPEC)

75(75:SPEC)  
(3 Inch:SPEC)

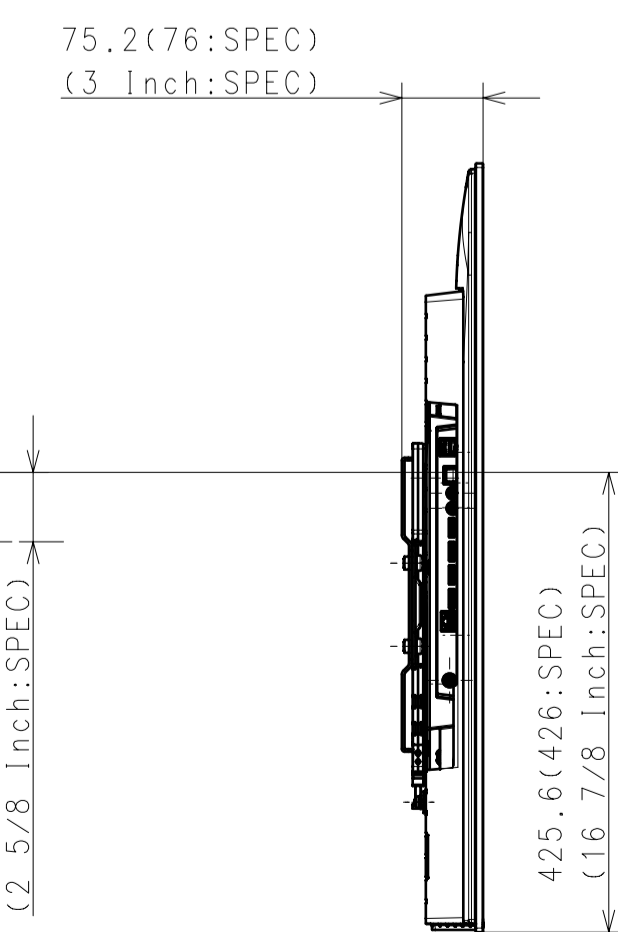
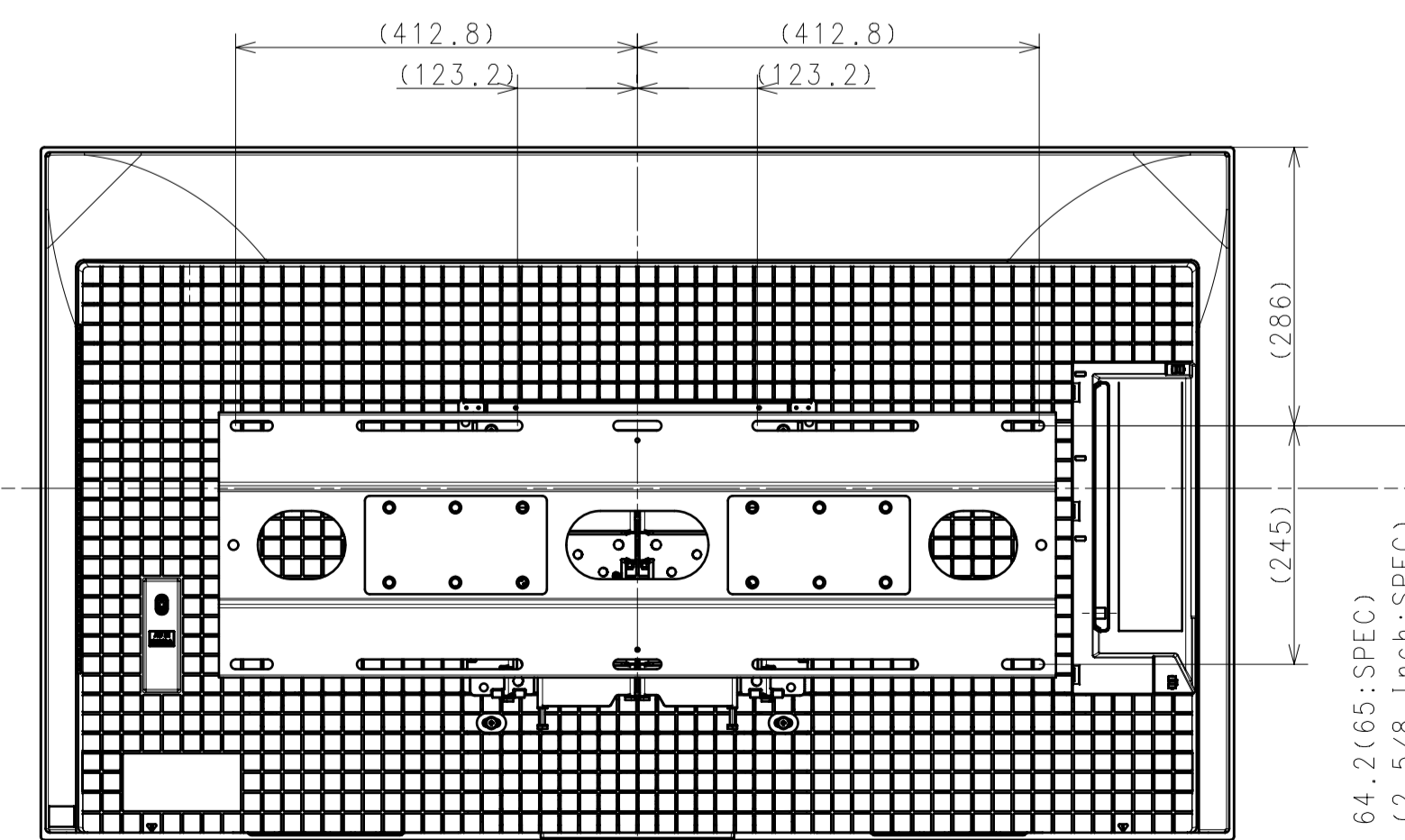
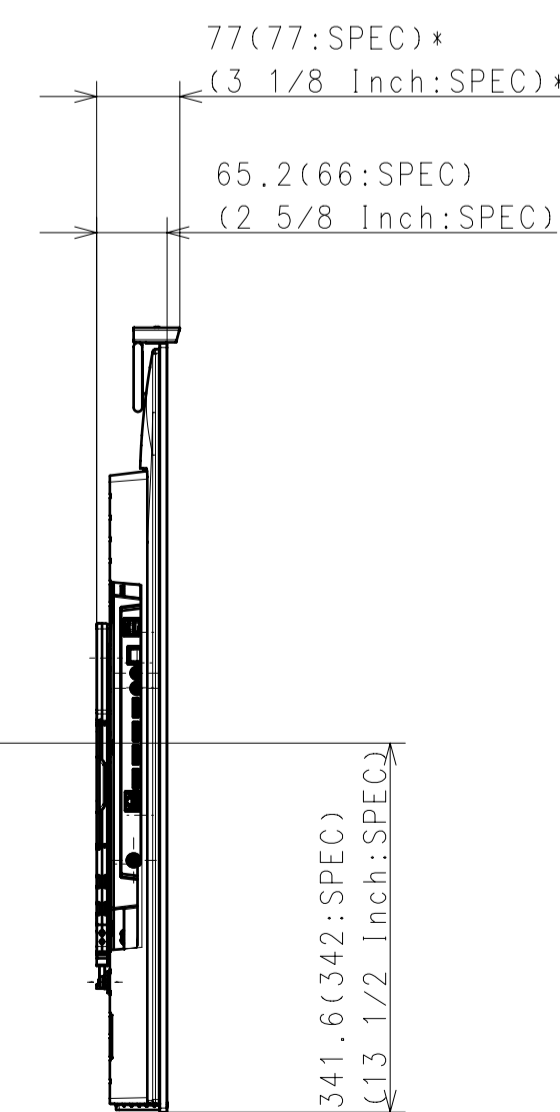
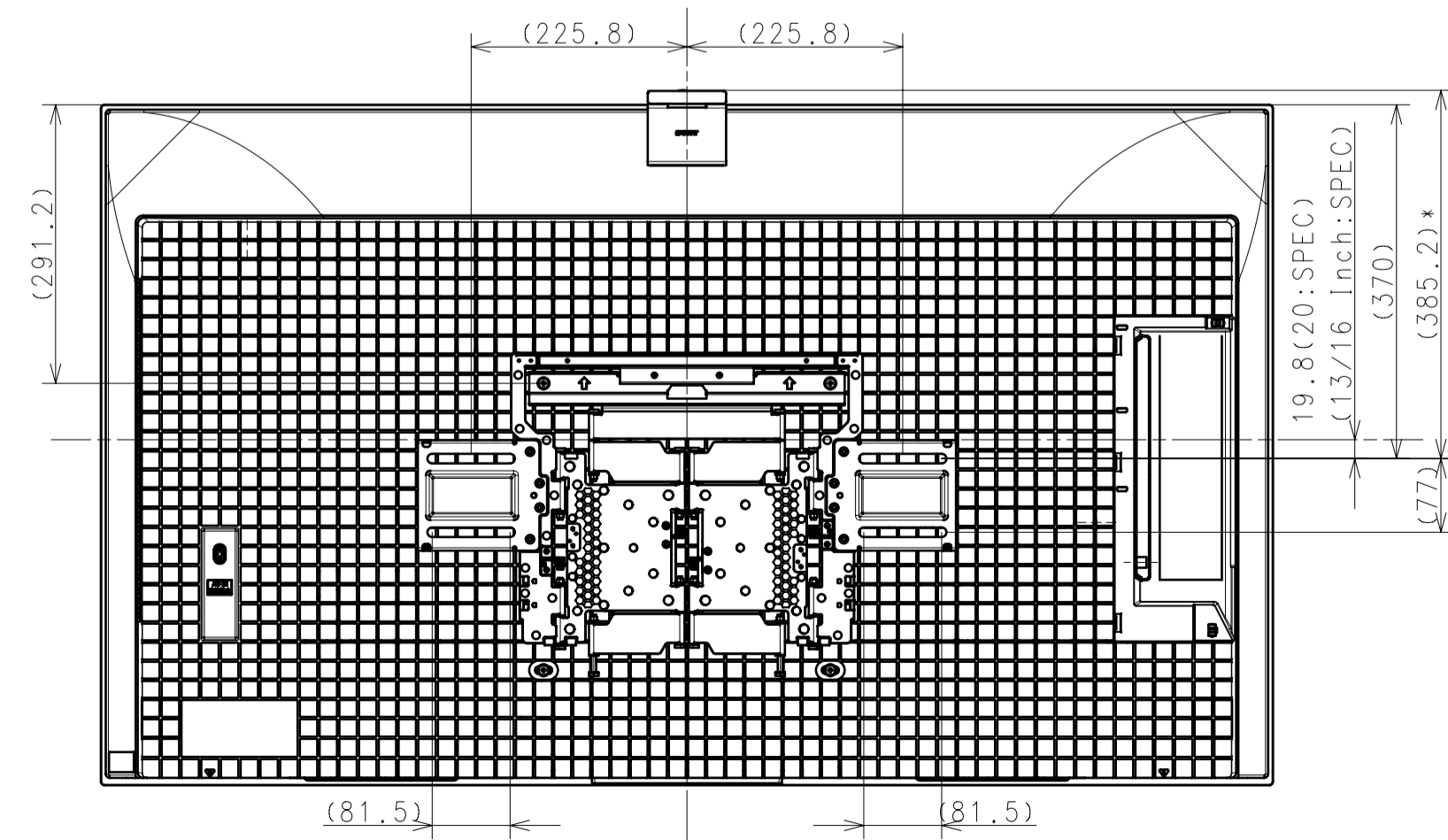
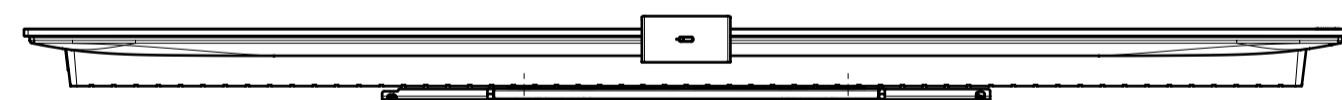
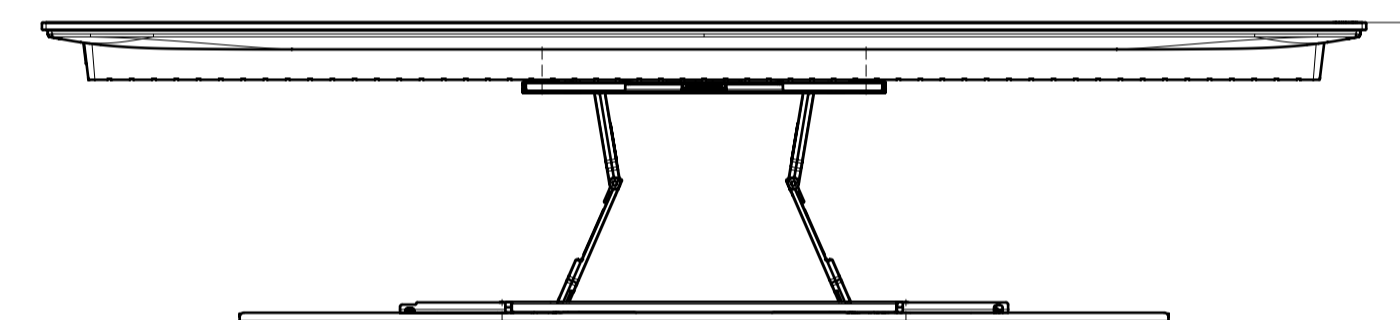
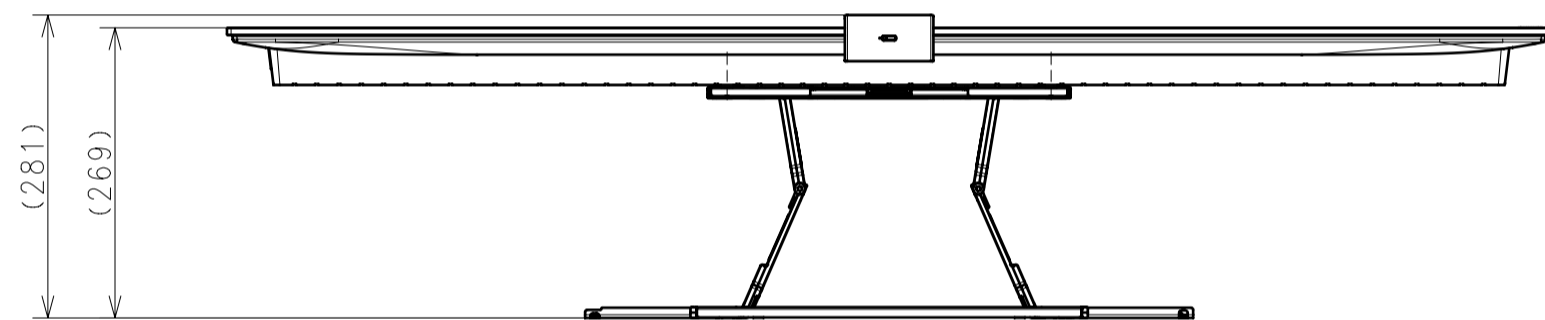
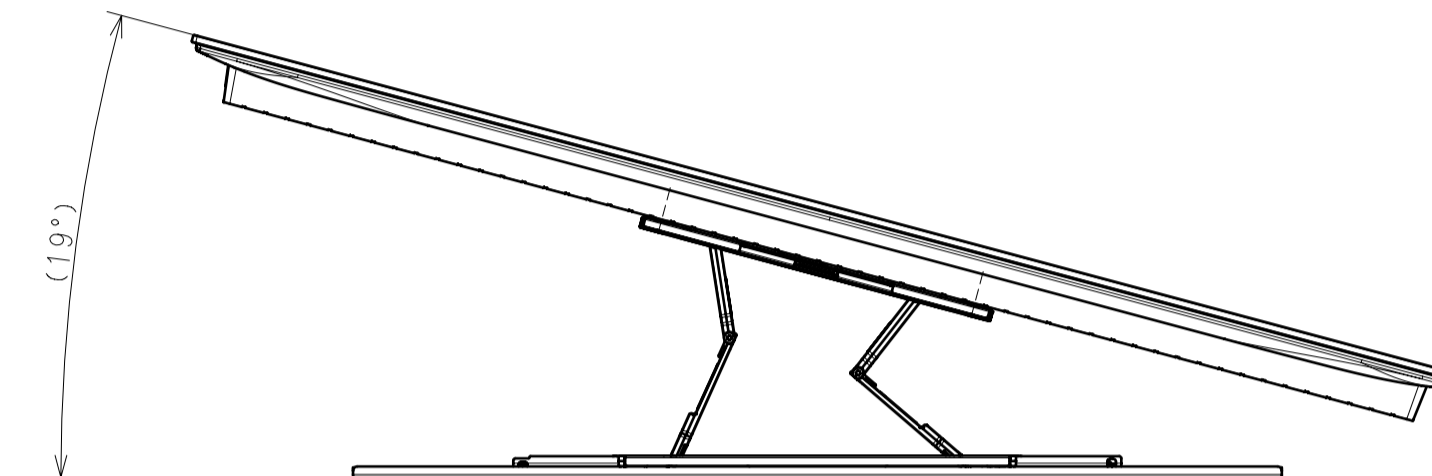
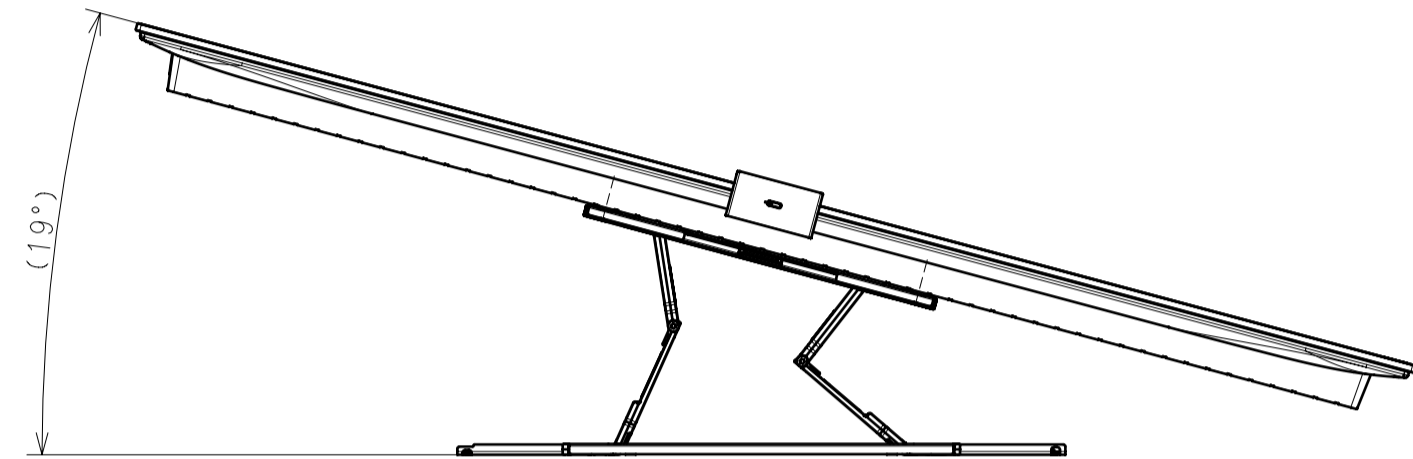
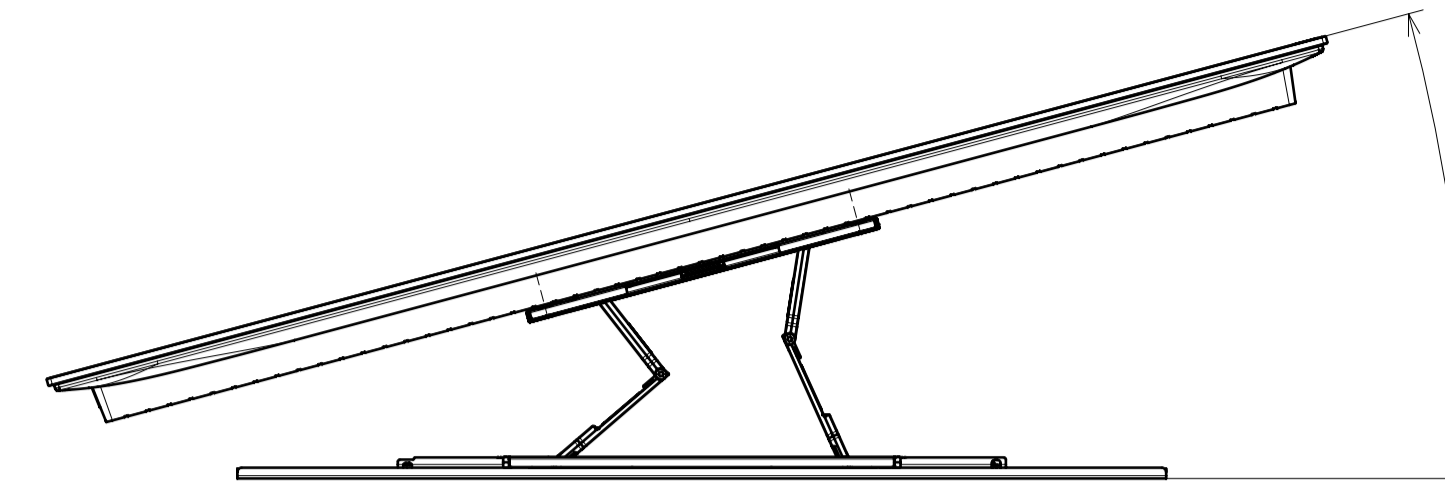
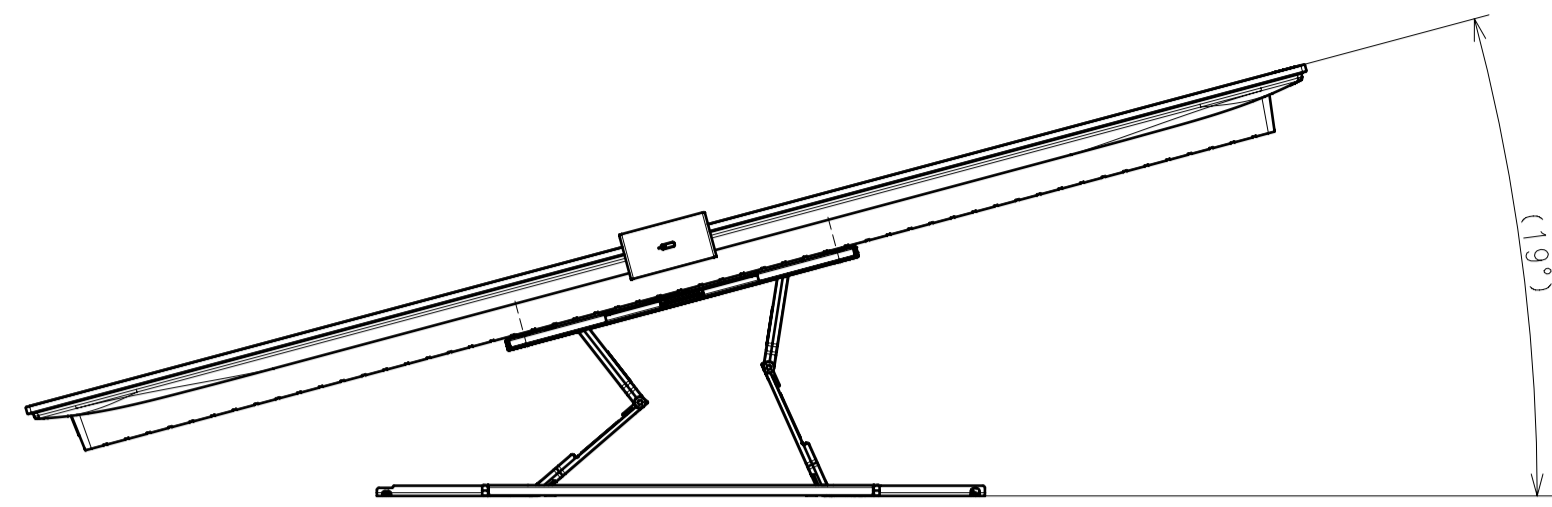


SONY STANDARD

DESCRIPTION 1	LEGAL OWNER	SCALE
55(A80L) EXTERIOR VIEW	Sony Corporation	1:5
DESCRIPTION 2	PART NO.	SHEET/PAGES
55(A80L) EXTERIOR VIEW		6/7

SU-WL850

SU-WL855



DESCRIPTION 1	55(A80L) EXTERIOR VIEW	LEGAL OWNER	Sony Corporation	SCALE	1:7
DESCRIPTION 2	55(A80L) EXTERIOR VIEW	PART NO.		SHEET/PAGES	7 / 7